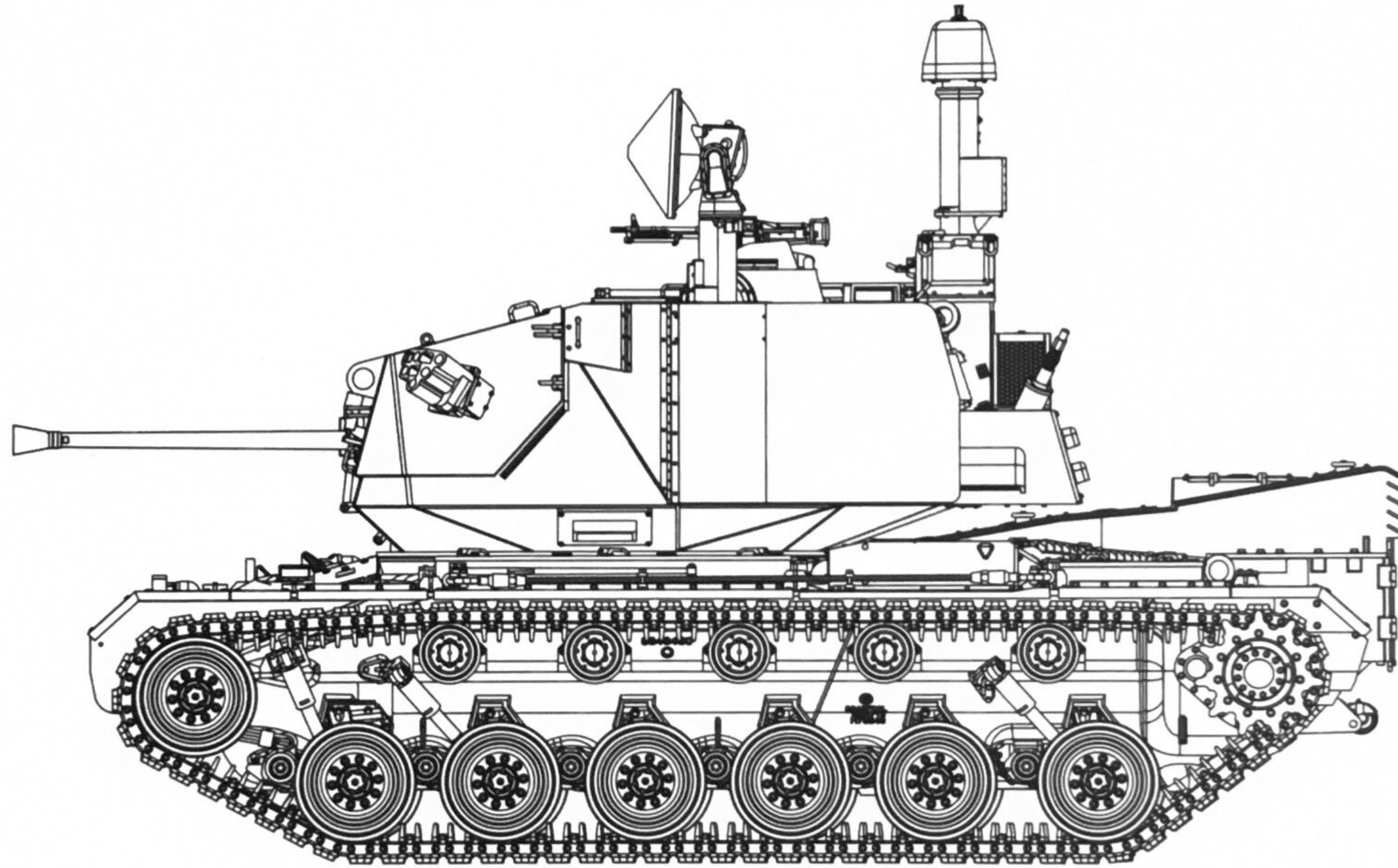


M247 SERGEANT YORK



Named after Sergeant Alvin York, a famous World War I hero, the M247 'Sergeant York' DIVAD (Division Air Defense) was a self-propelled anti-aircraft gun (SPAAG), which Ford Aerospace began developing in 1978. Based on the M48 Patton tank using as much off-the-shelf equipment as possible, it replaced the Patton's turret with a new model armed with twin radar directed 40mm Bofors rapid-fire guns mounted in a new box like armored turret with both tracking and surveillance radar fitted atop, which could be folded down to reduce overall height. The gunner was provided with a roof mounted sight incorporating a laser rangefinder, with the commander having a panoramic roof mounted periscope and fixed periscopes. The radar was a modified version of the Westinghouse APG-66 system used in the F-16 Fighting Falcon.

With the first production vehicles being delivered in late 1983, many problems remained, the most serious being the radar's inability to track low flying targets due to excessive ground clutter, and when tracking high flying targets, the radar return from the gun muzzles confused the fire control system. Turret traverse was also too slow to track a fast-moving target. The ECM (electronic countermeasures) suite could be defeated by minor jamming, and the use of the 30-year-old M48 hull design meant the vehicle had trouble keeping pace with the newer M1 Abrams and M2/3 Bradley that it was designed to protect.

These problems proved insurmountable and in December 1986, after about 50 vehicles had been produced, the entire program was terminated.

READ BEFORE ASSEMBLY

CAUTION

- Read carefully and fully understand the instructions before commencing assembly. A supervising adult should also read the instructions if a child assembles the model.
- When assembling this kit, tools including knives used. Extra care should be taken to avoid personal injury.
- Keep out of reach of small children. Children must not be allowed to suck any part, or pull vinyl bag over their heads.



Be Careful



Optional



Do Not Cement



Remove



Instant Glue for Metal



Drill

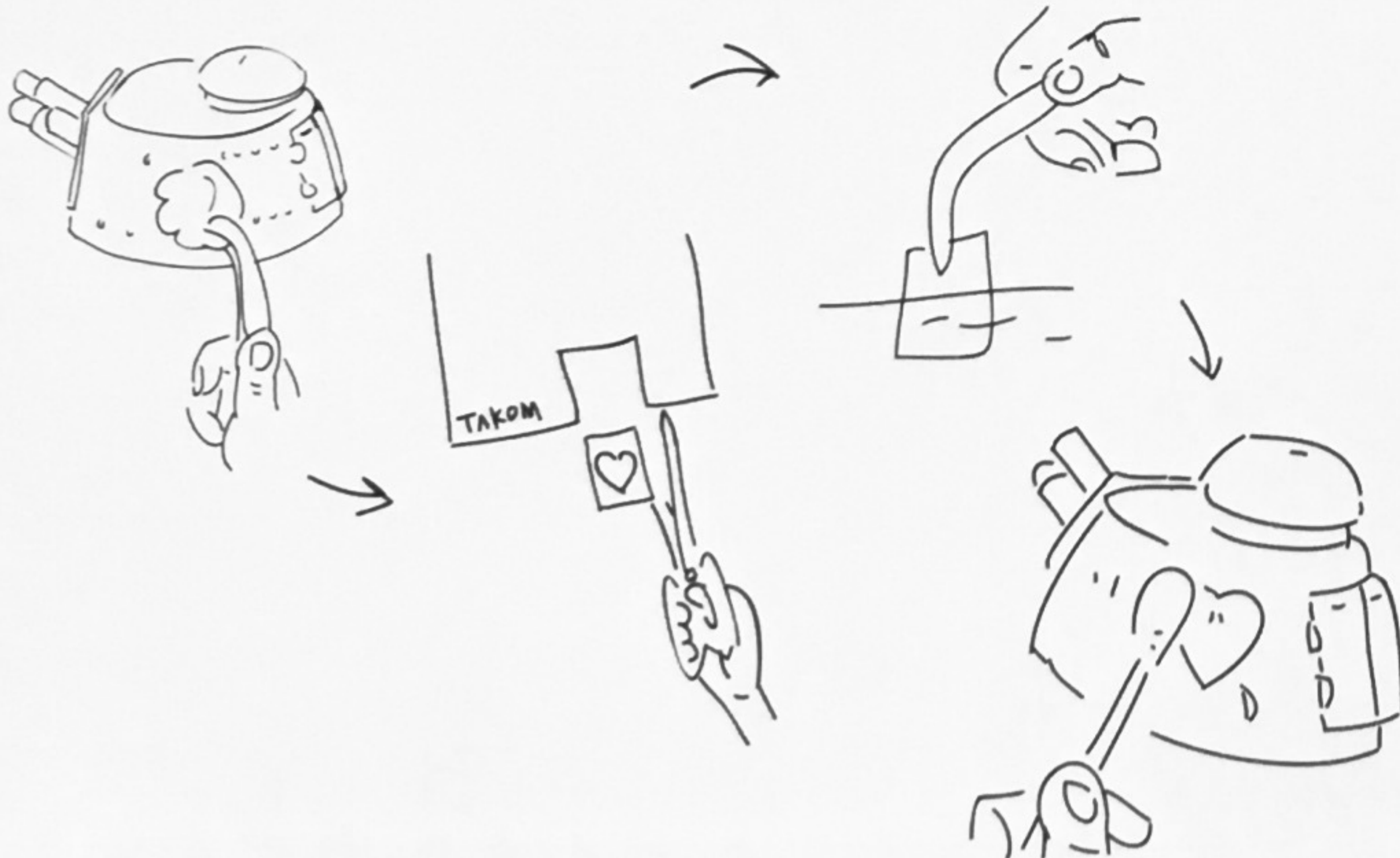
PAINTS REQUIRED

Color info and profiles by Mig Jimenez

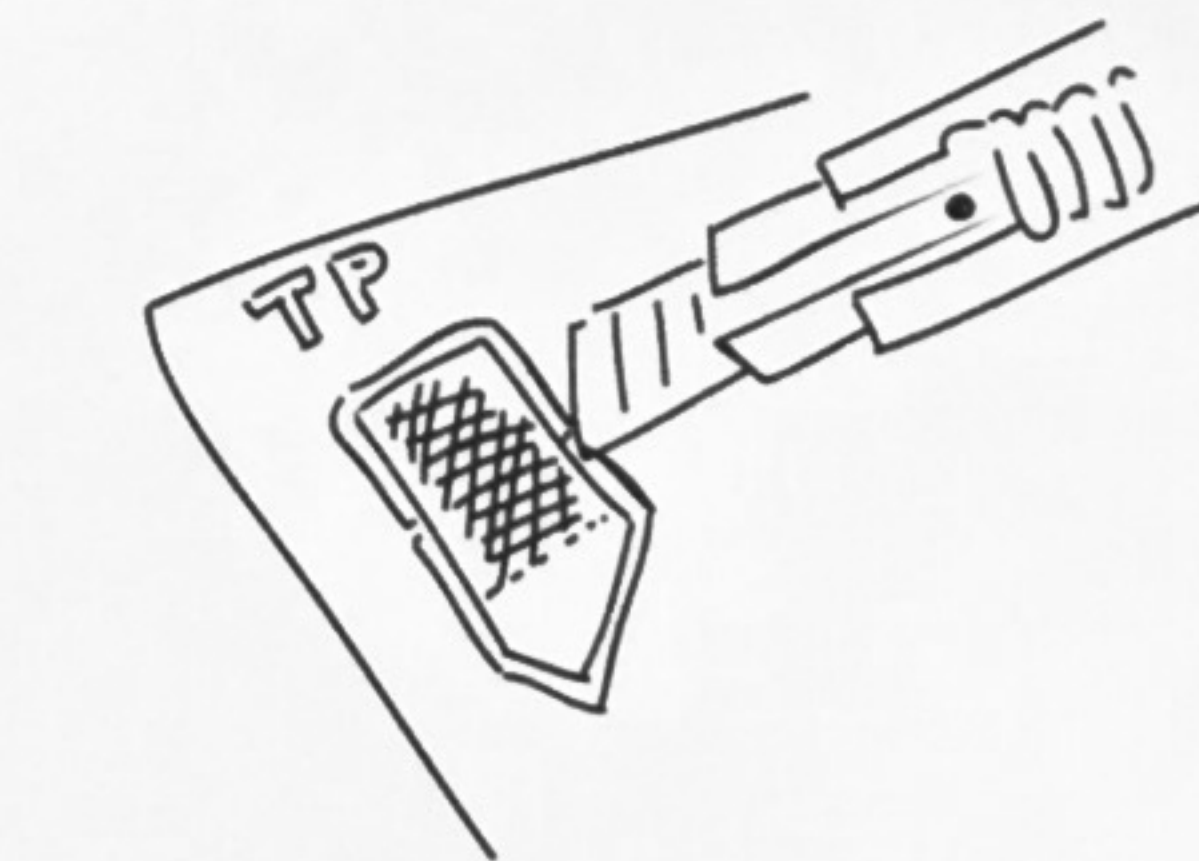
A.MIG-0032	Satin Black	A.MIG-0033	Rubber&Tires	A.MIG-0035	Dark Tracks	A.MIG-0043	Gun Metal
A.MIG-0094	Crystal Glass	A.MIG-0095	Crystal Smoke	A.MIG-0198	Sylver	A.MIG-0096	Crystal Periscope Green
A.MIG-0208	RLM 81-F5 34079-BS641	A.MIG-0067	Sand Grey	A.MIG-0070	Medium Brown	A.MIG-0099	Crystal Black Blue
A.MIG-0047	White	A.MIG-0030	Sand Yellow				

APPLYING DECALS

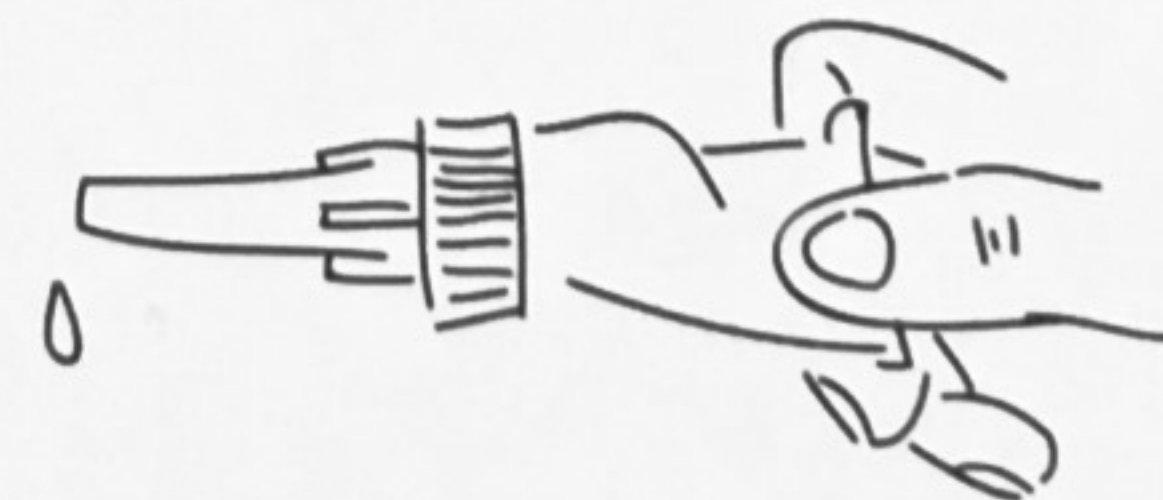
1. Clean the model surface with a wet cloth.
2. Cut out each decal design from sheet, and dip it in tepid water for 15~20 sec.
3. Hold the backing sheet edge and slide decal onto the model.
4. Move decal into position by wetting decal with finger.
5. Press decal gently down with a soft cloth until excess water and air bubbles are gone.



REMOVING PE



Be careful not to hurt when removing PE parts.

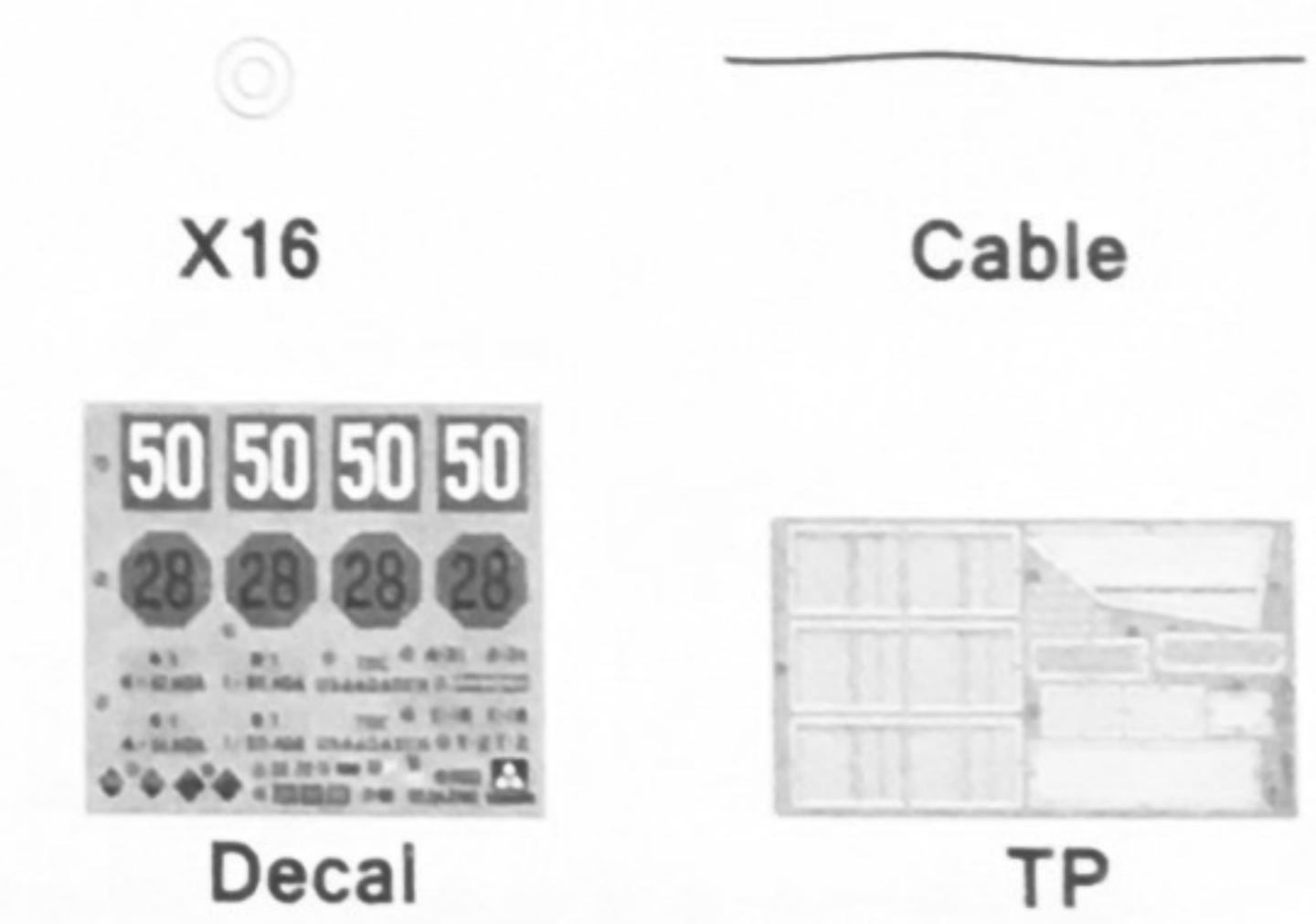
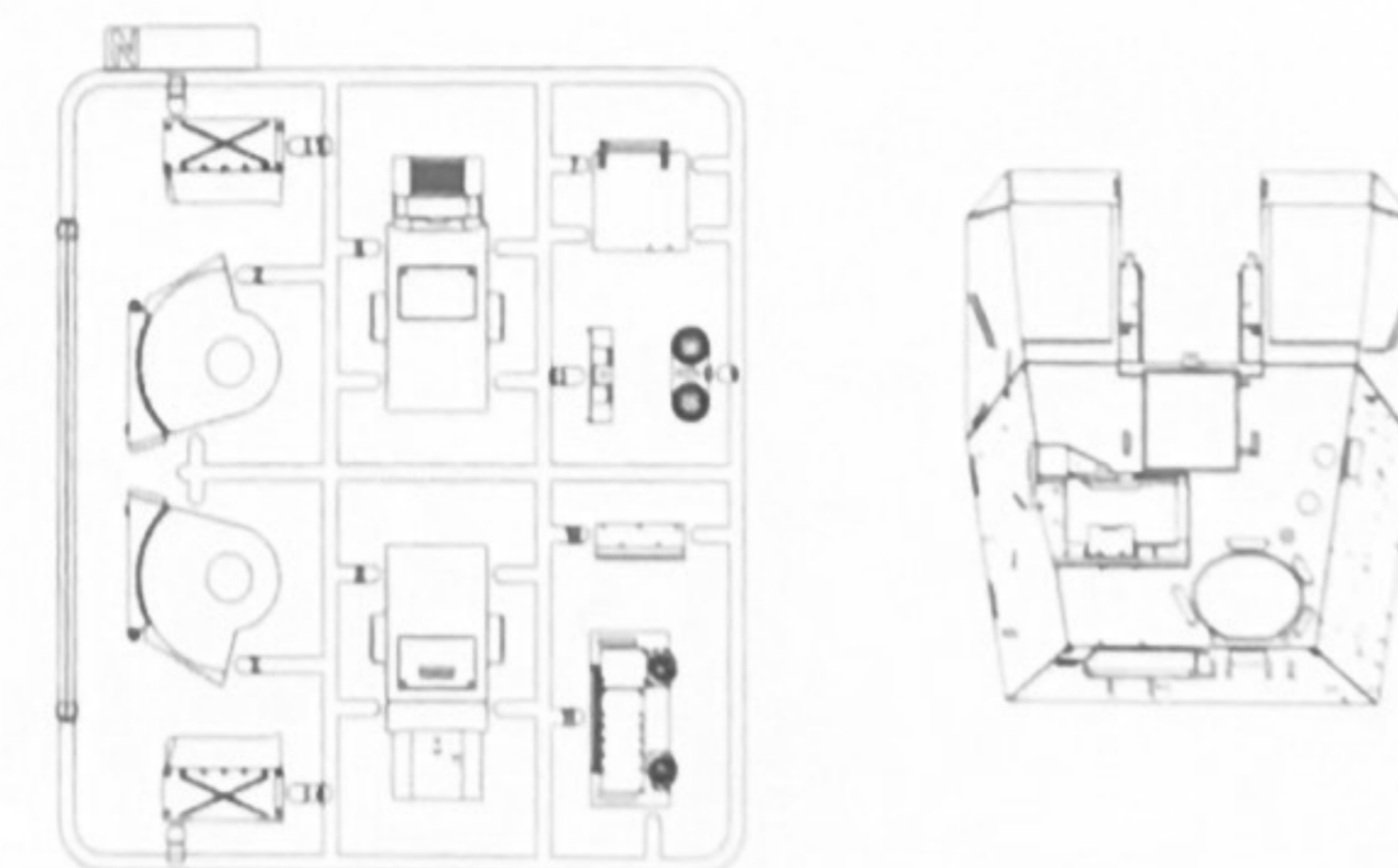
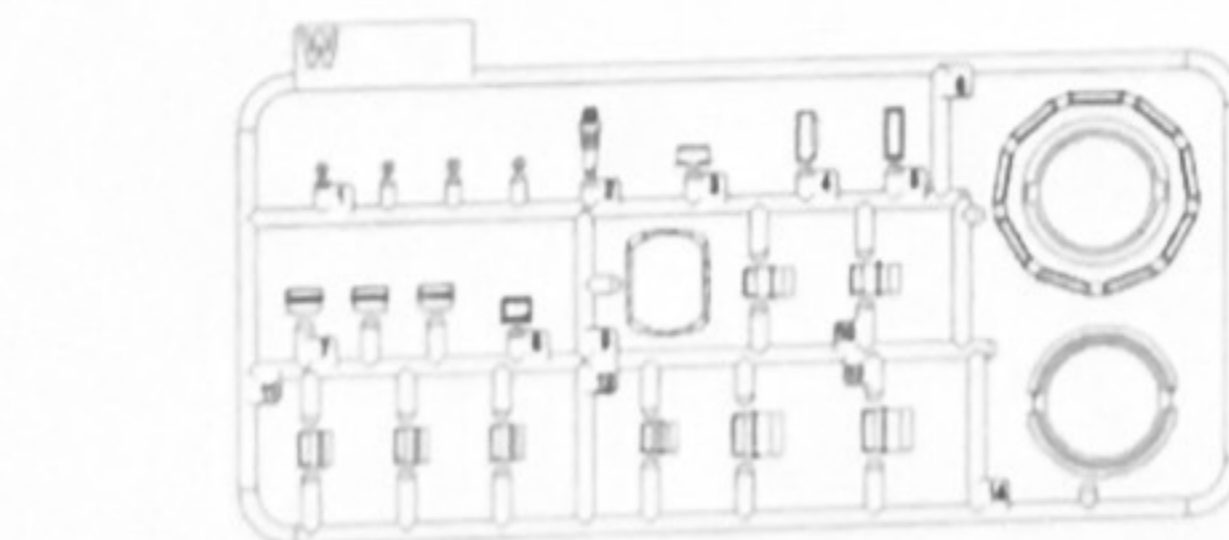
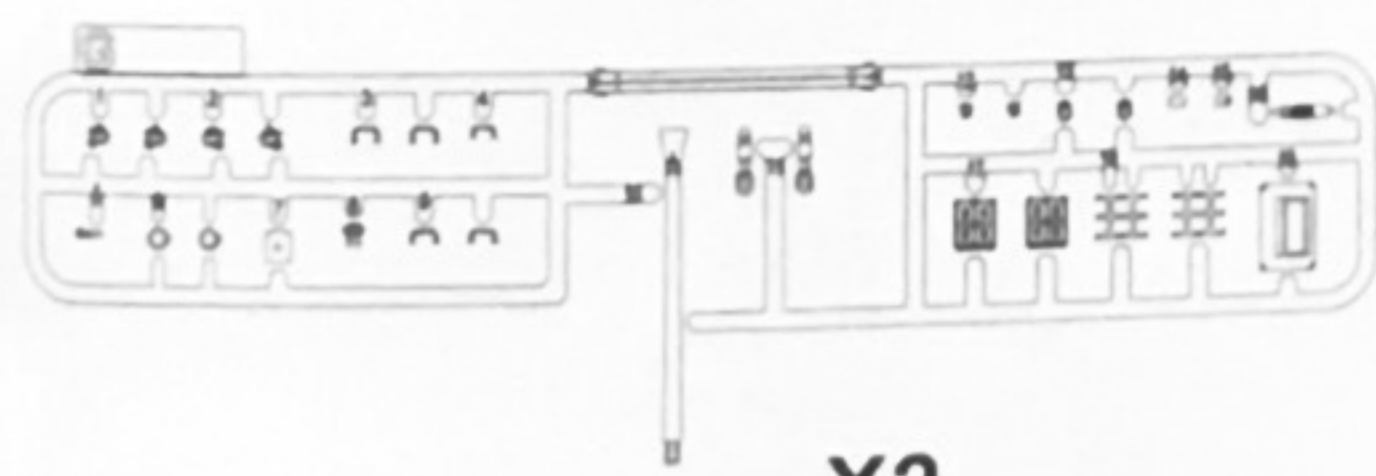
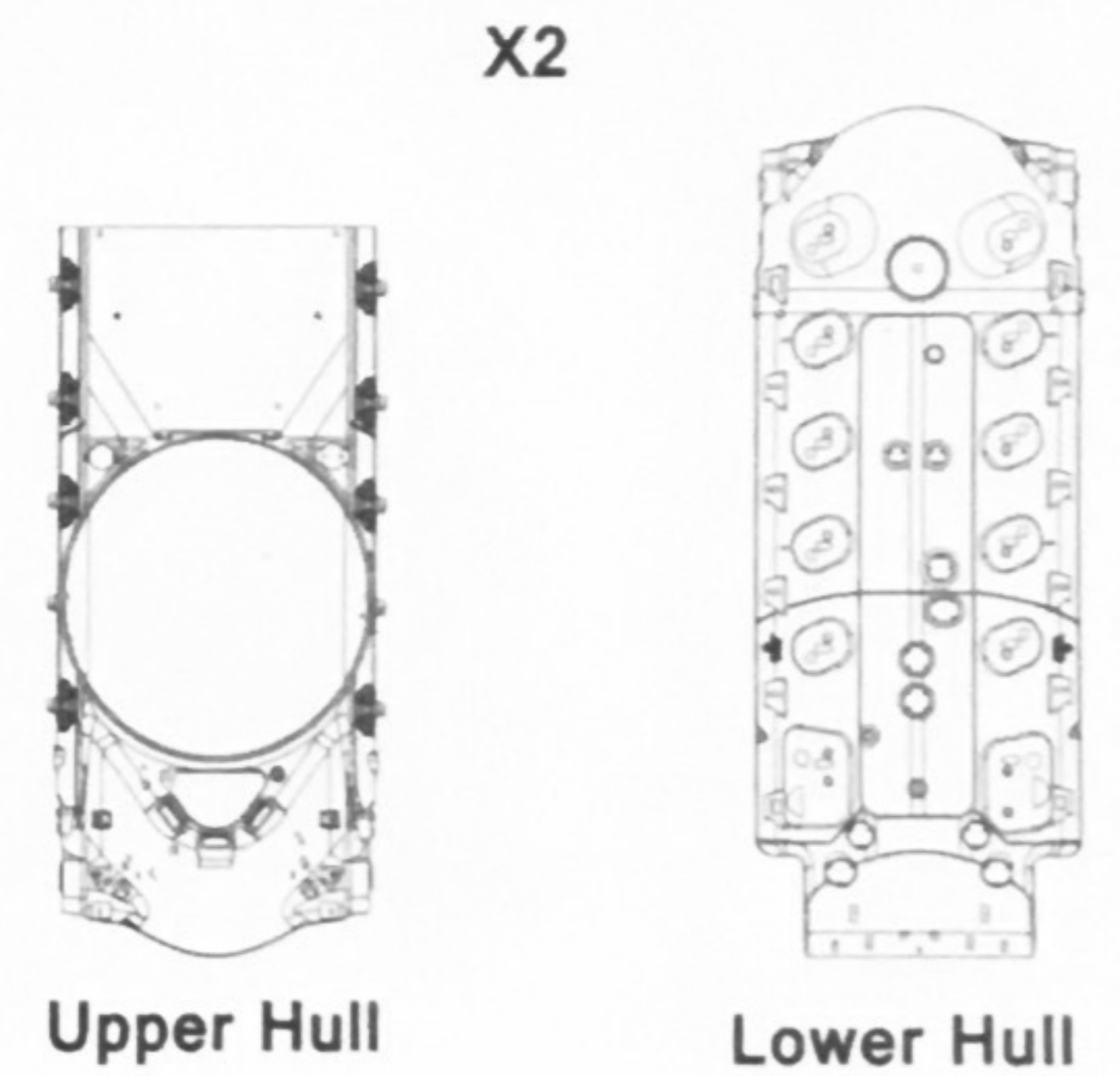
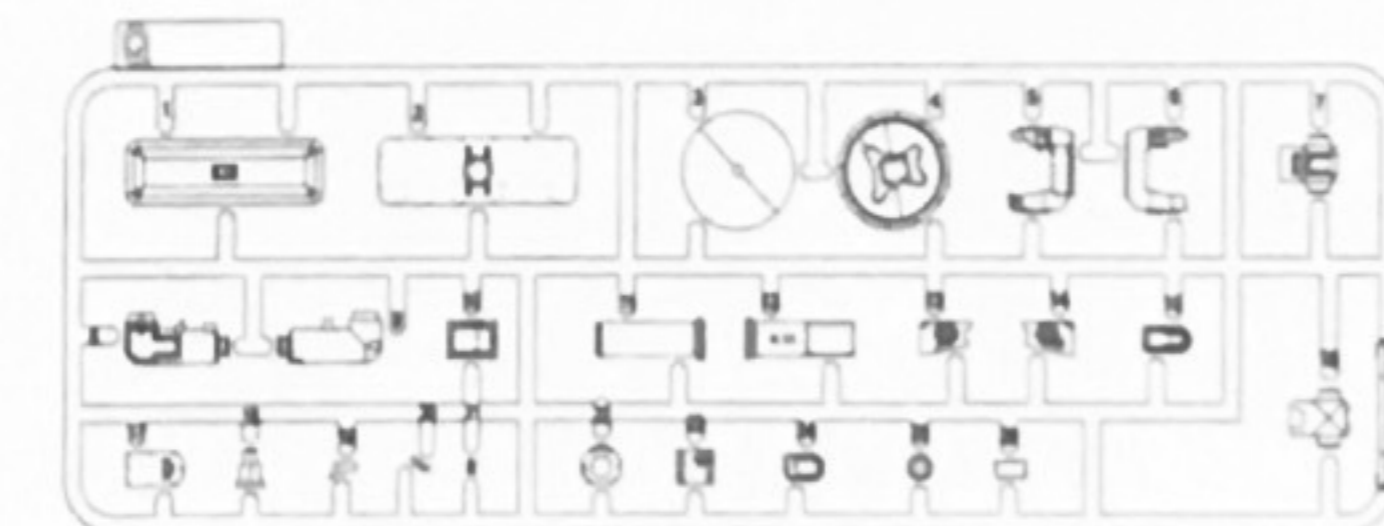
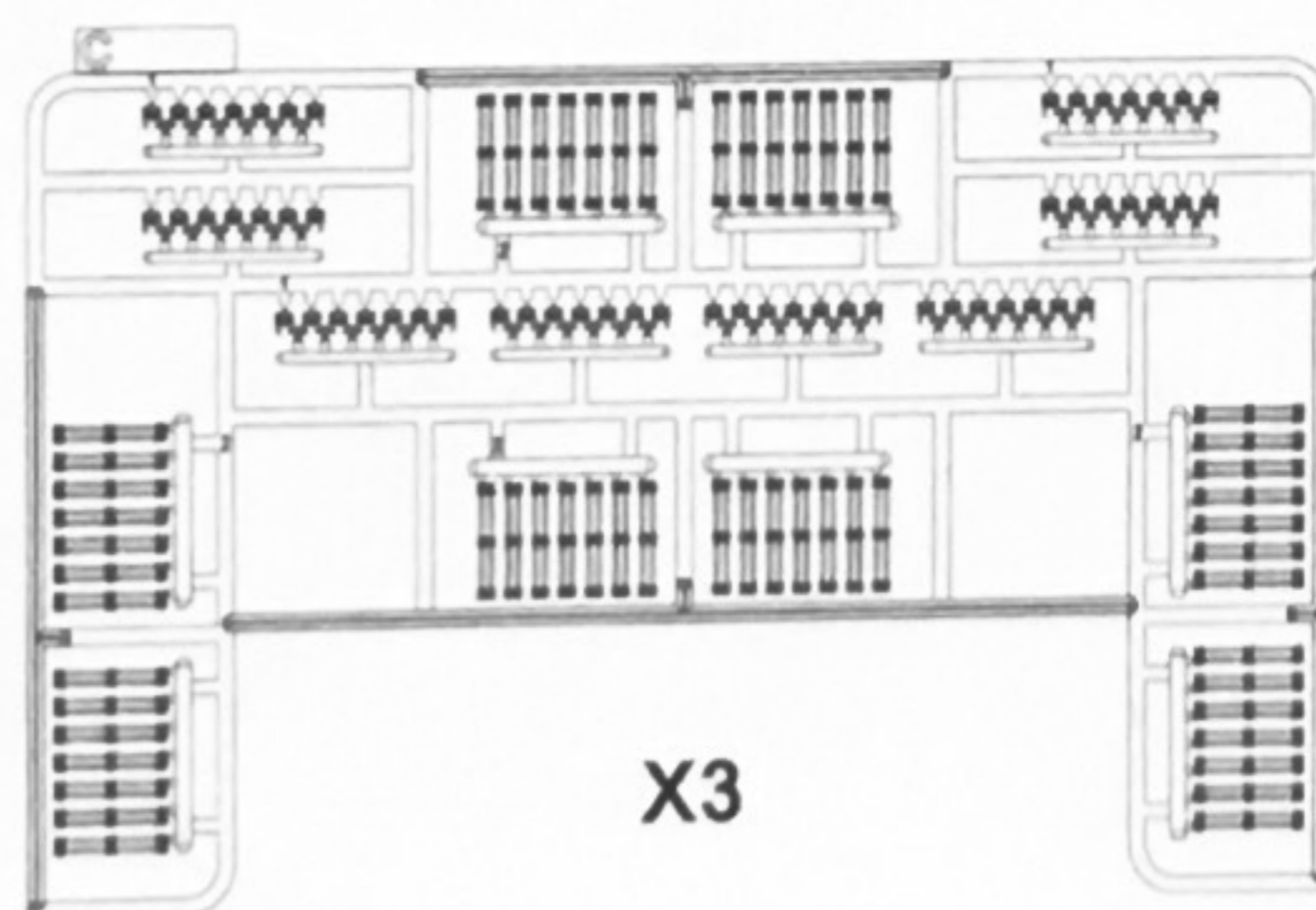
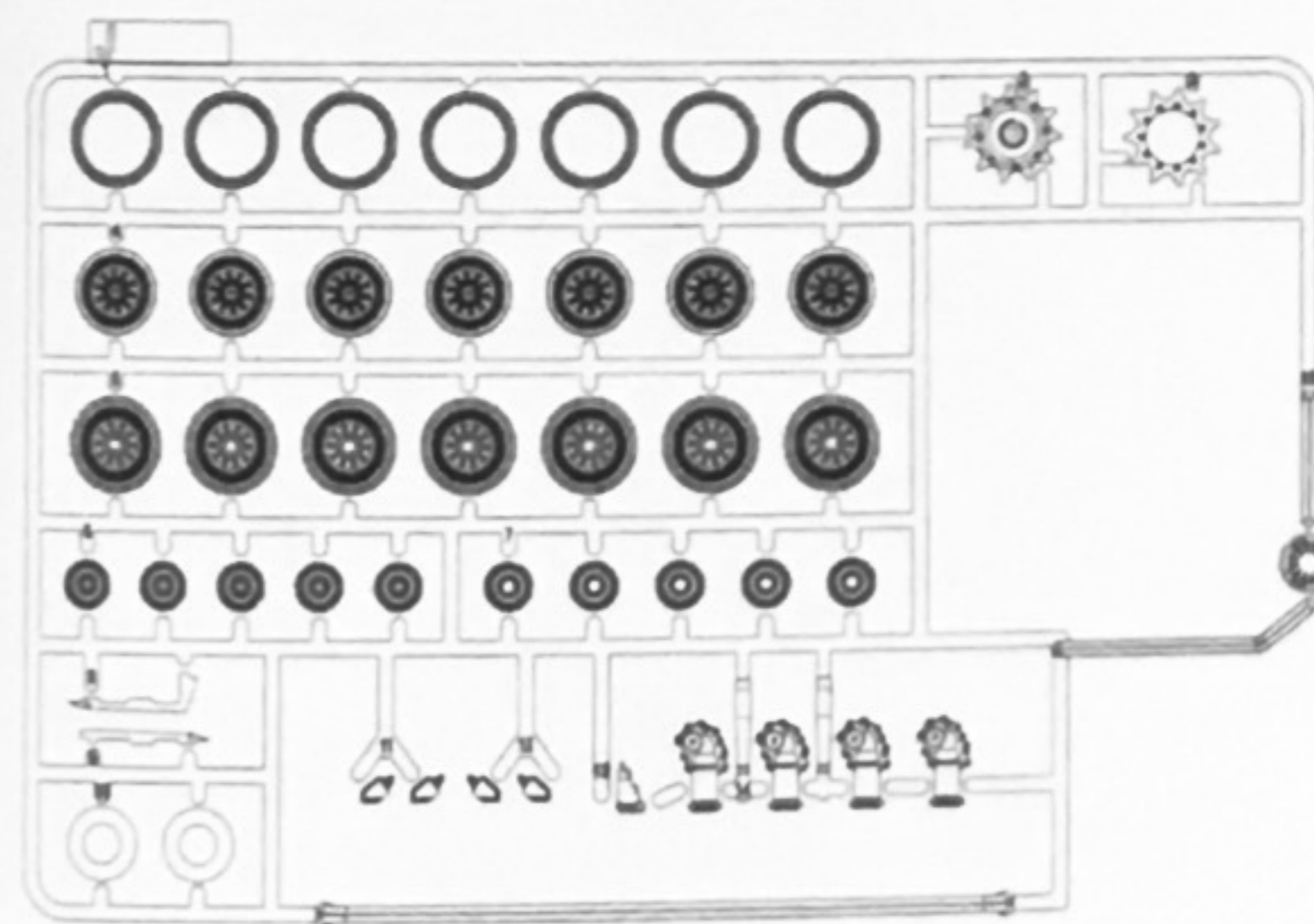
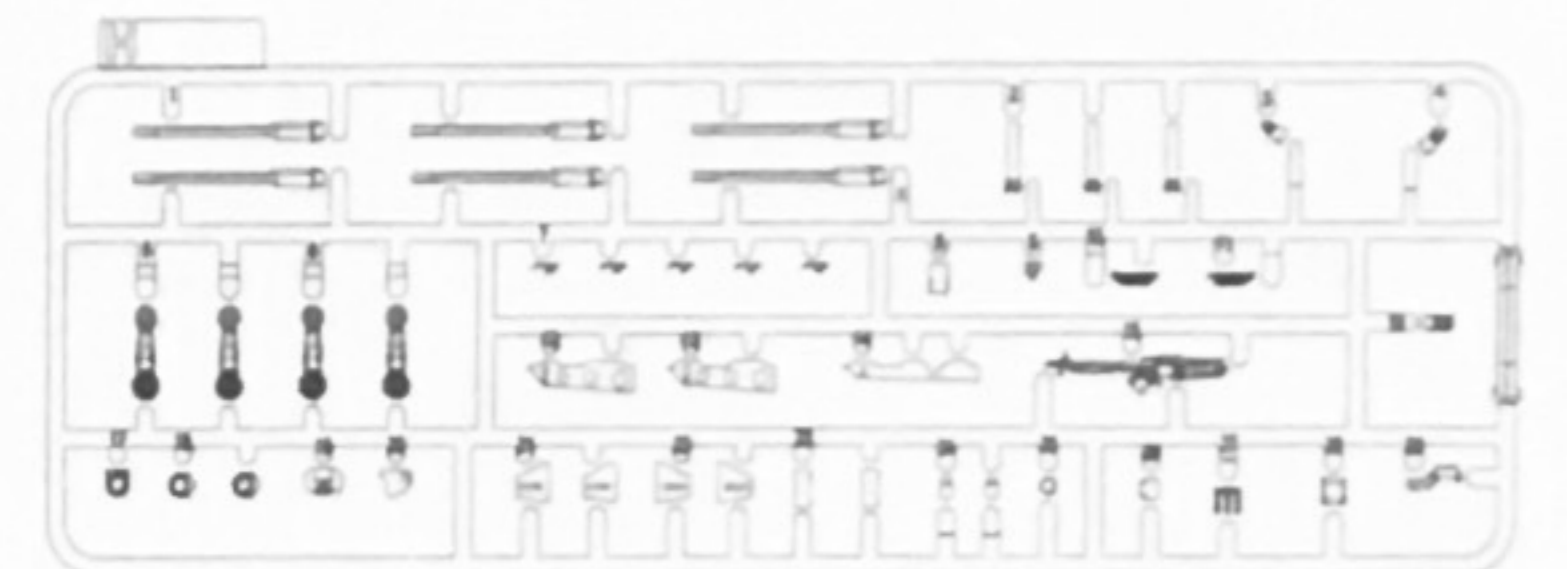
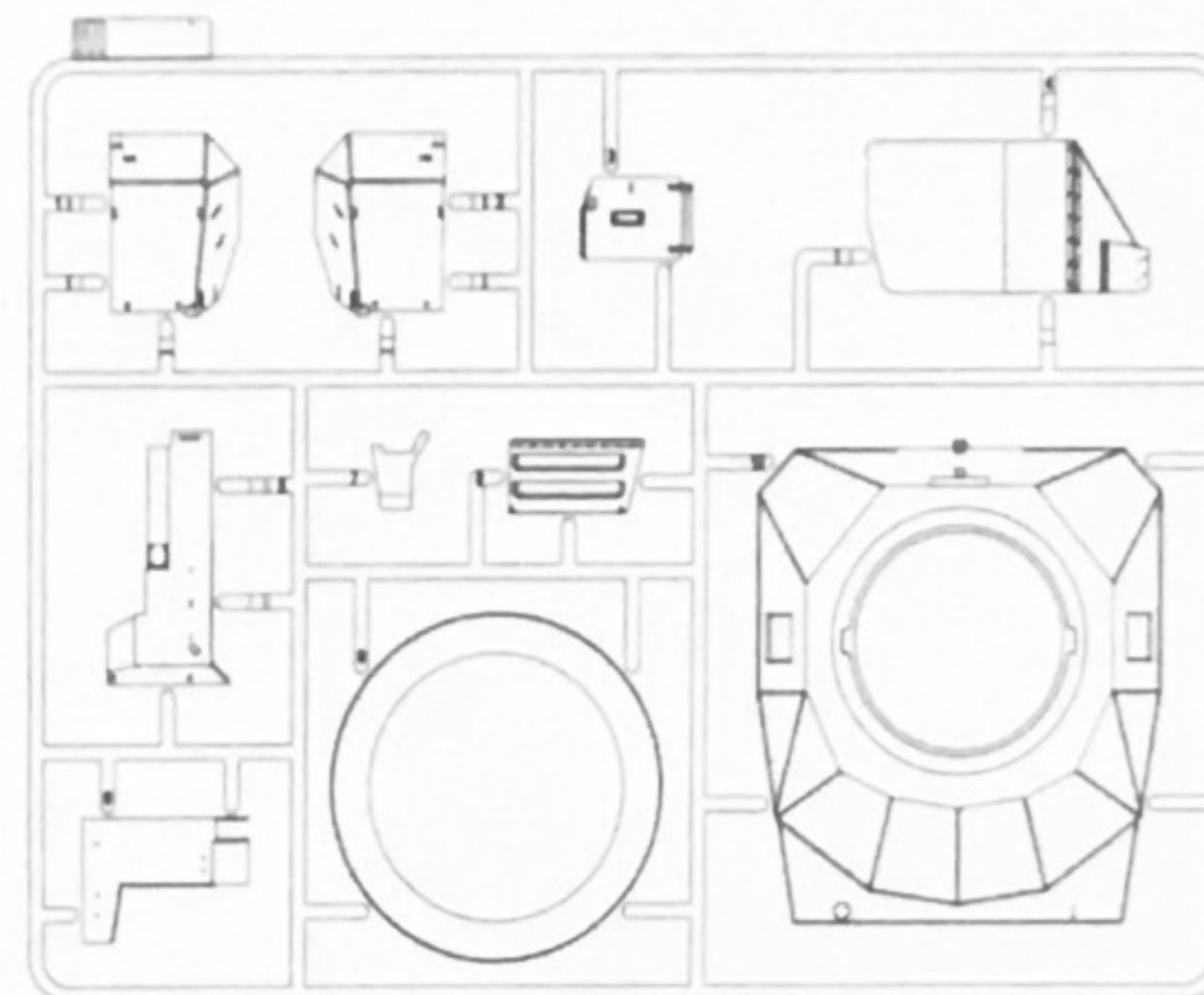
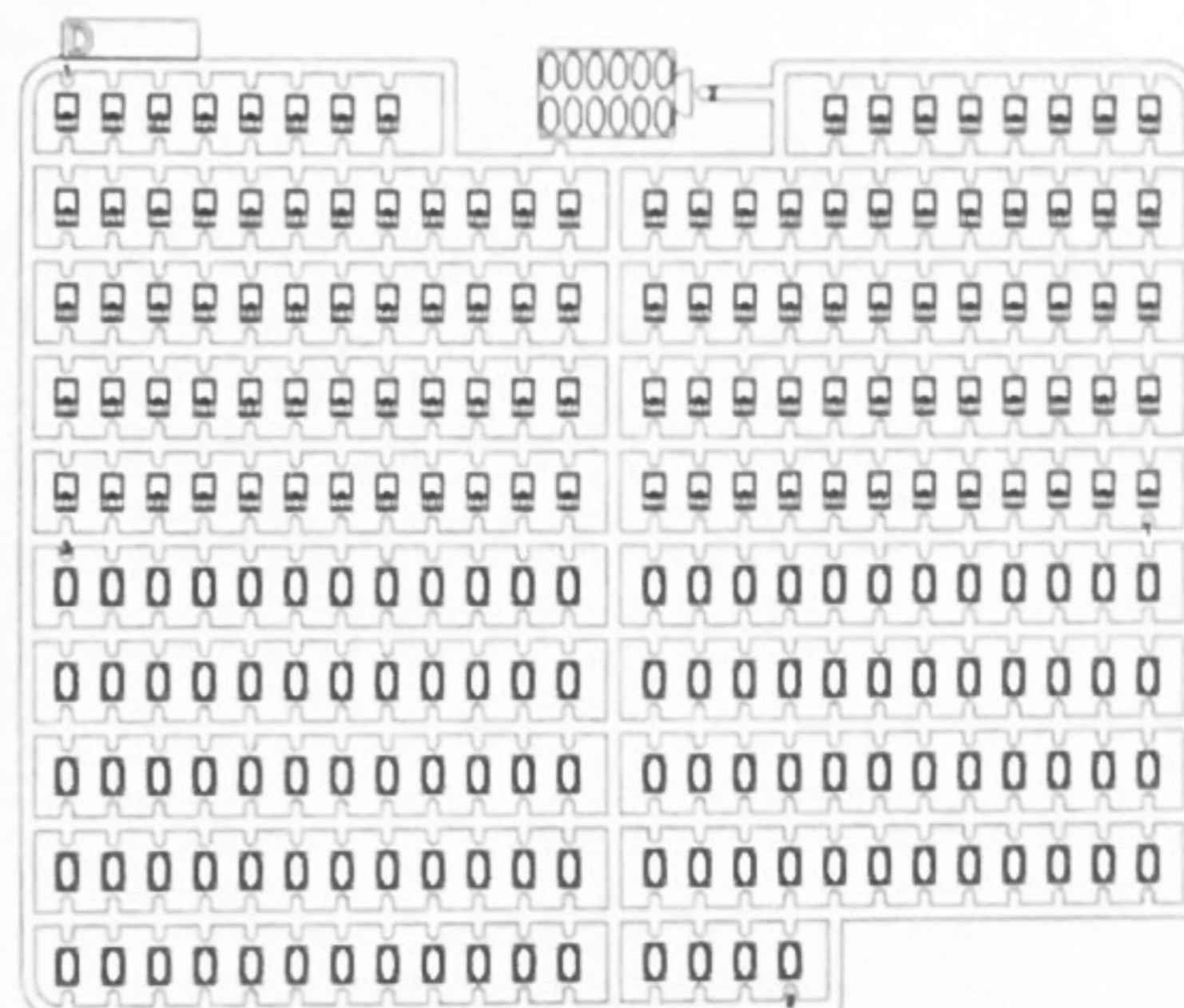
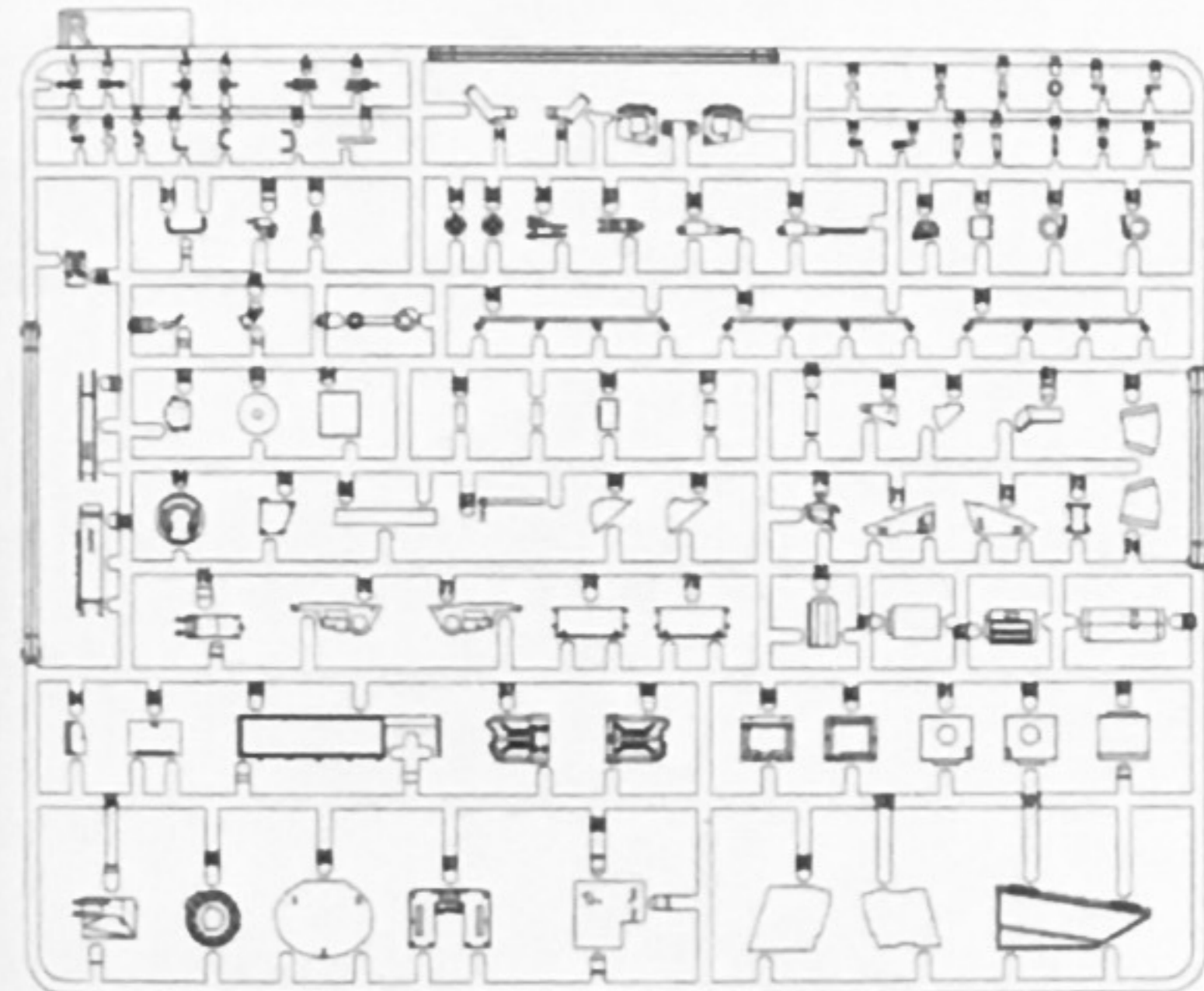
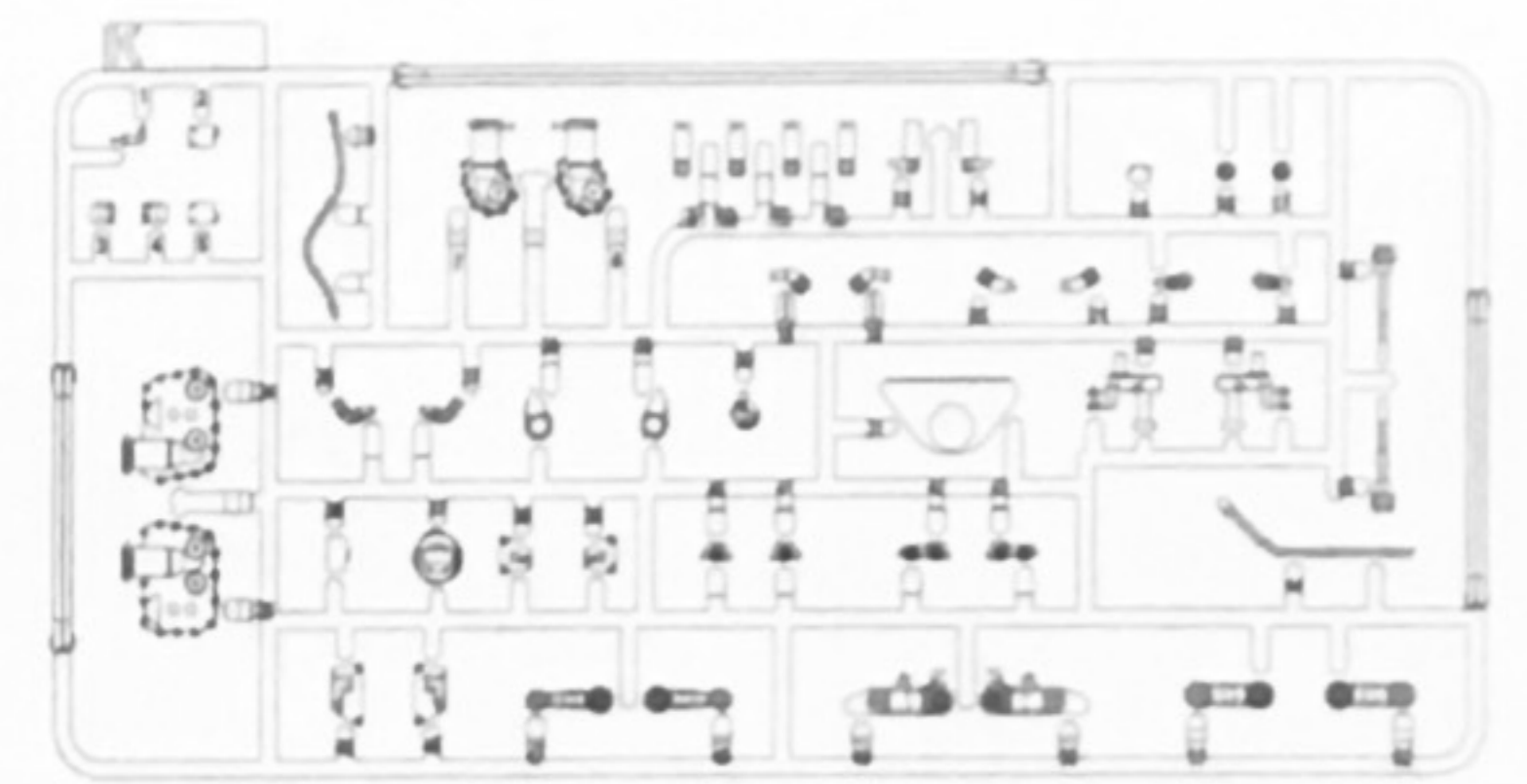
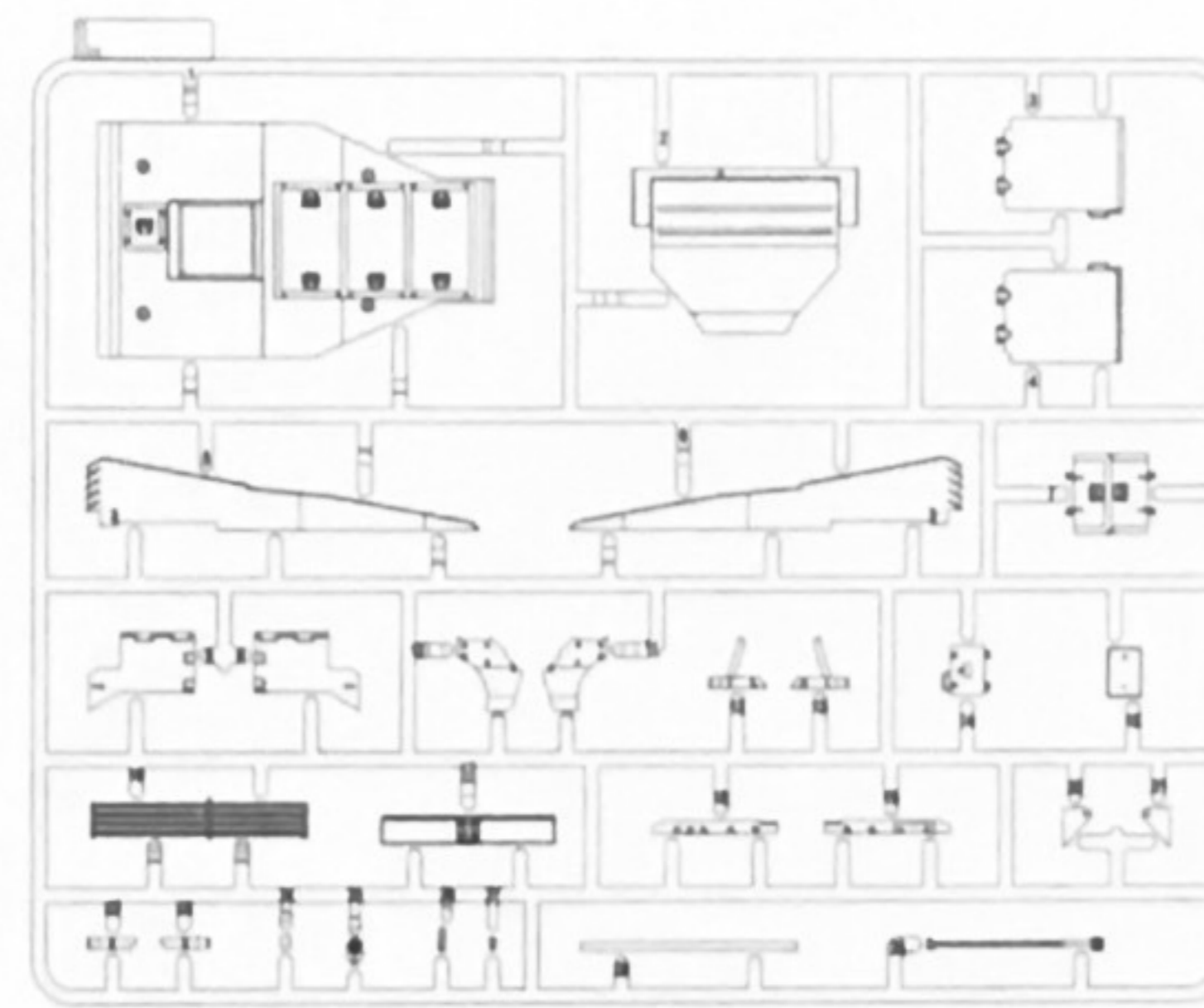
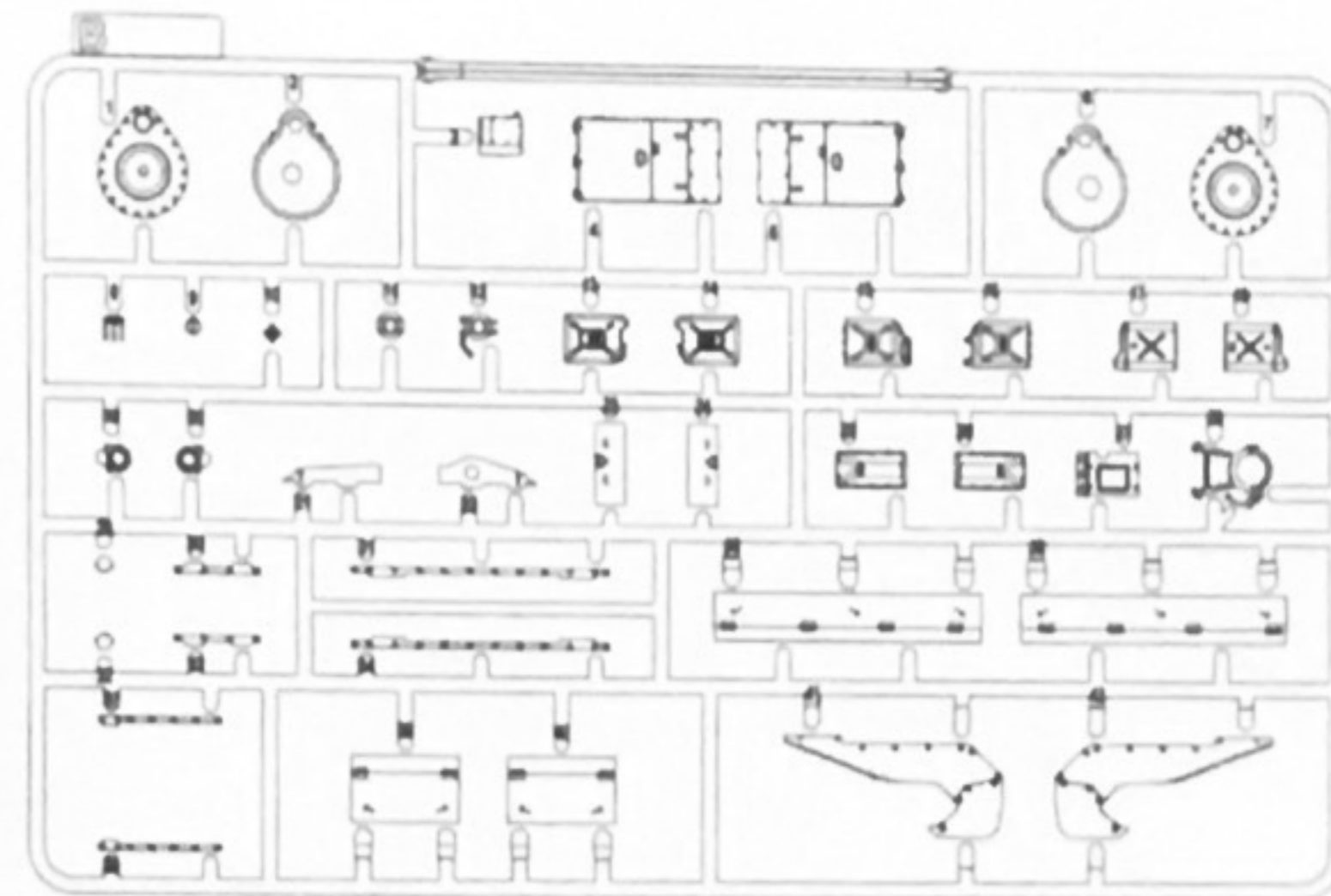
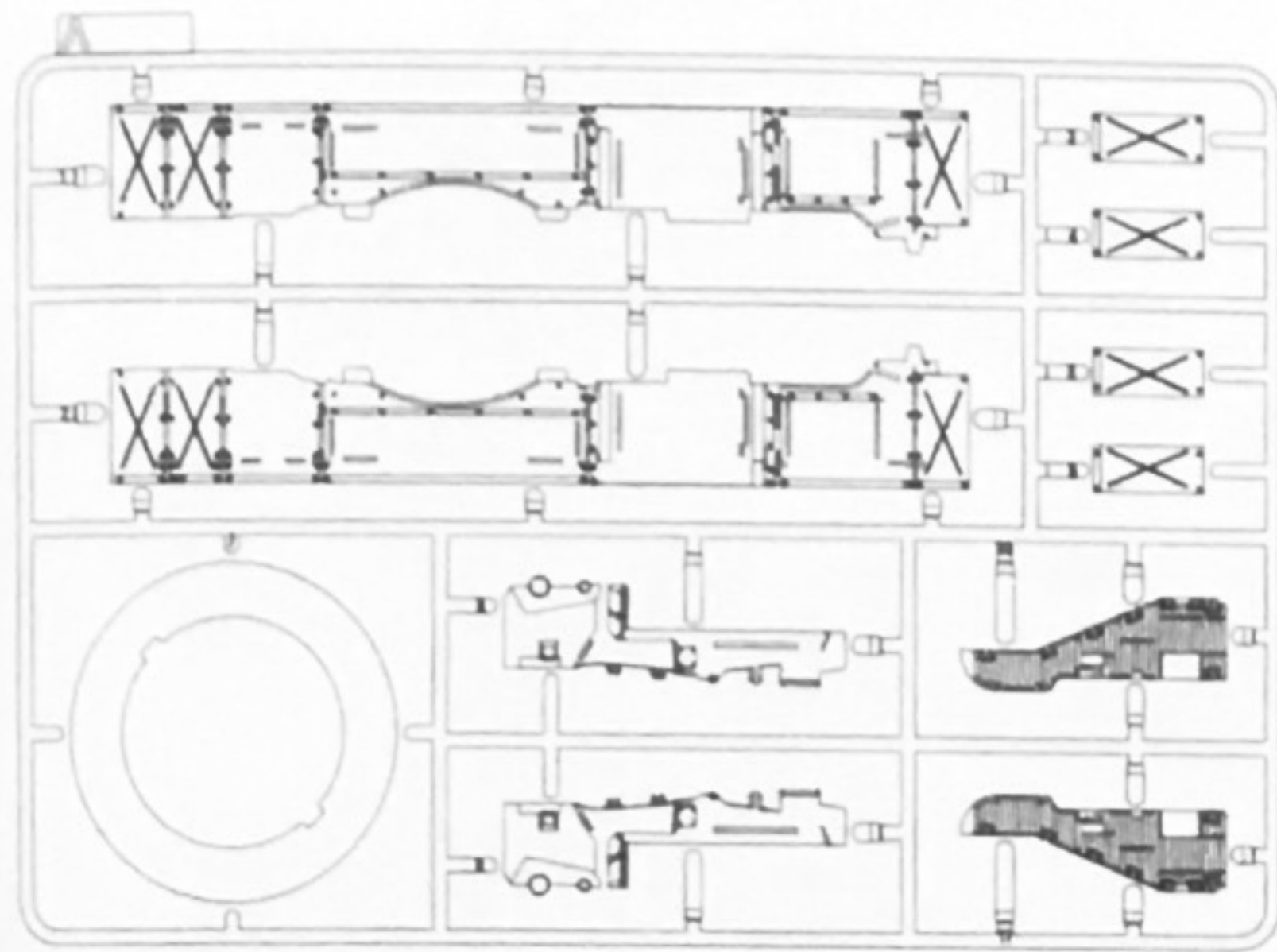


Secure using instant glue (not included).



Finish using file.

PARTS



X2

X3

X3

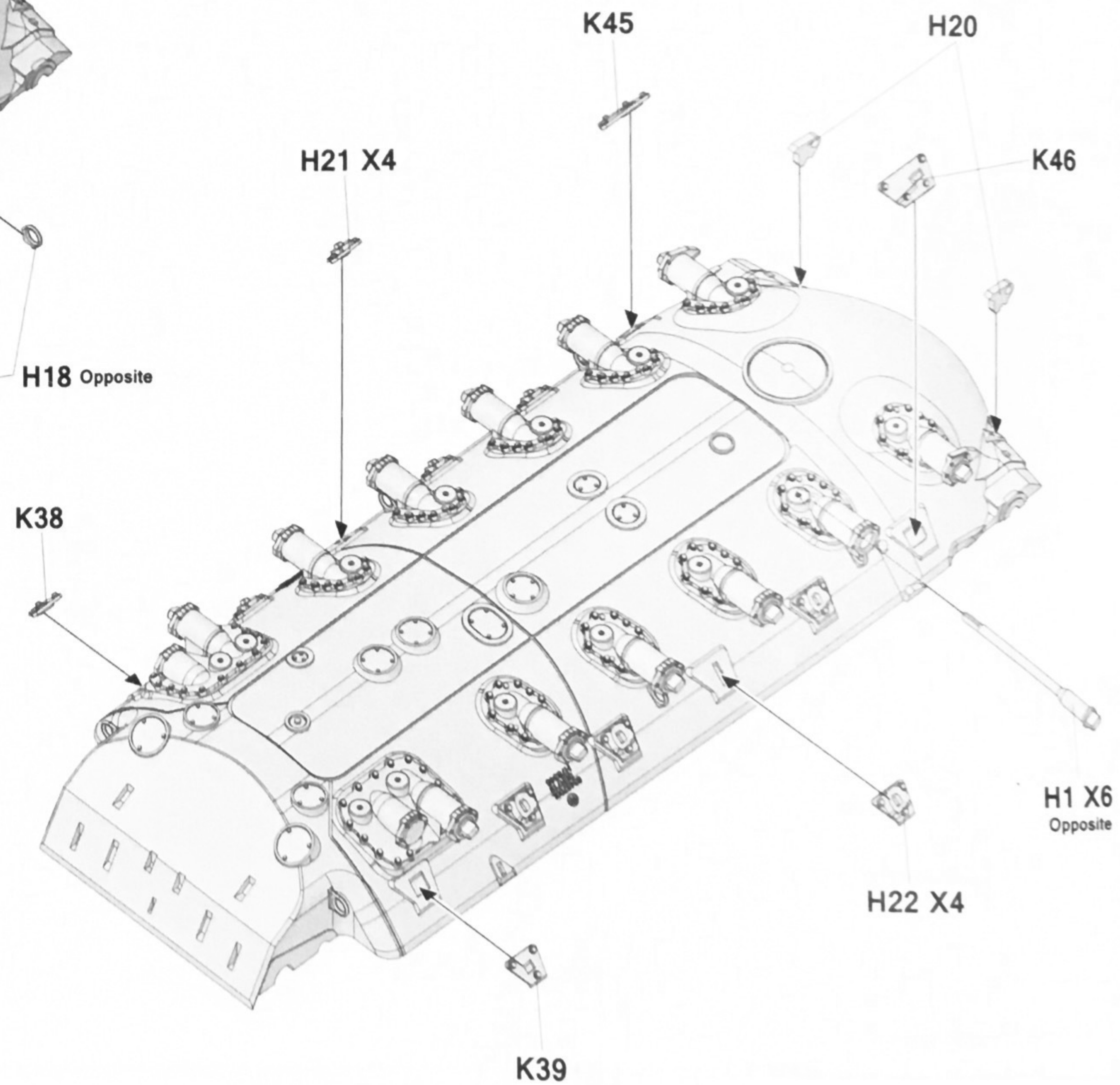
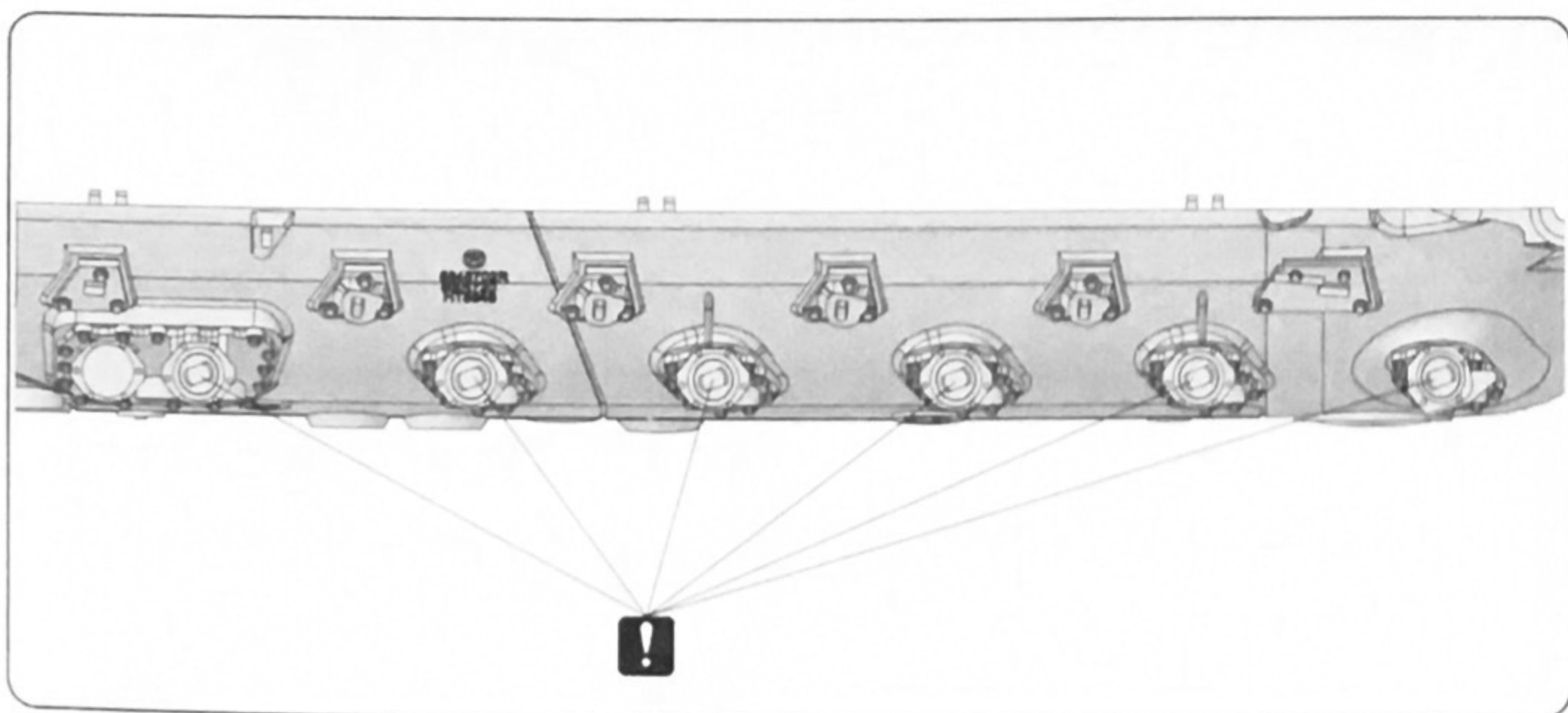
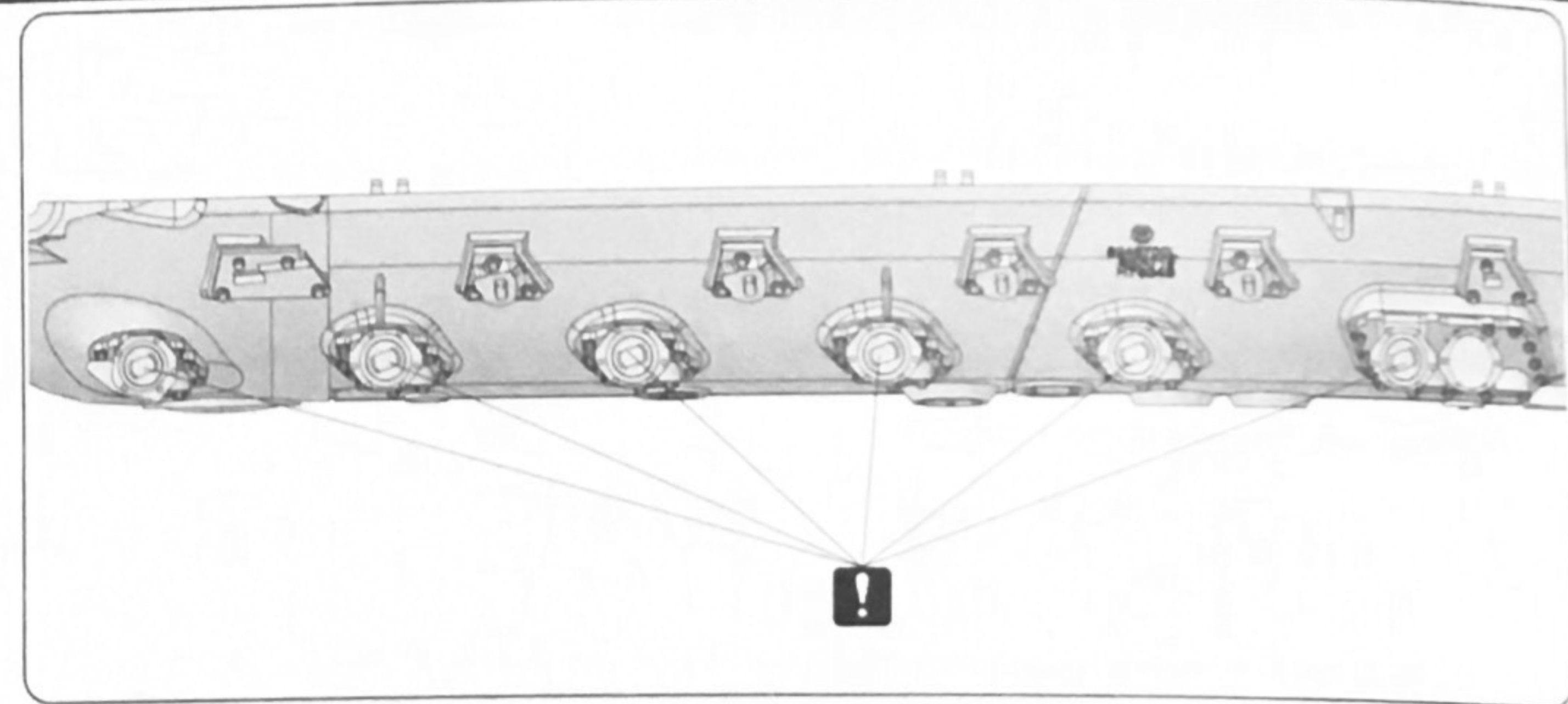
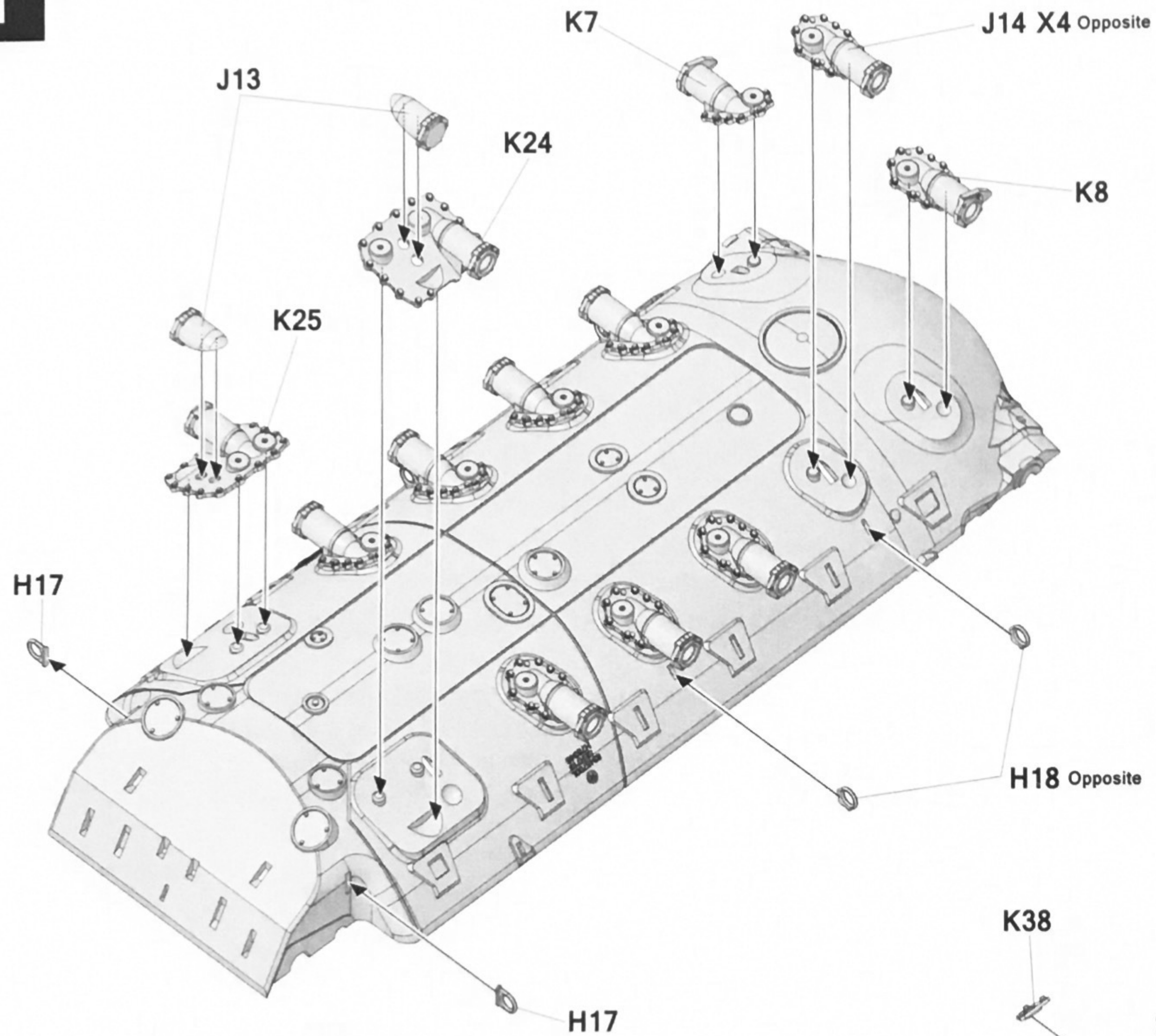
X2

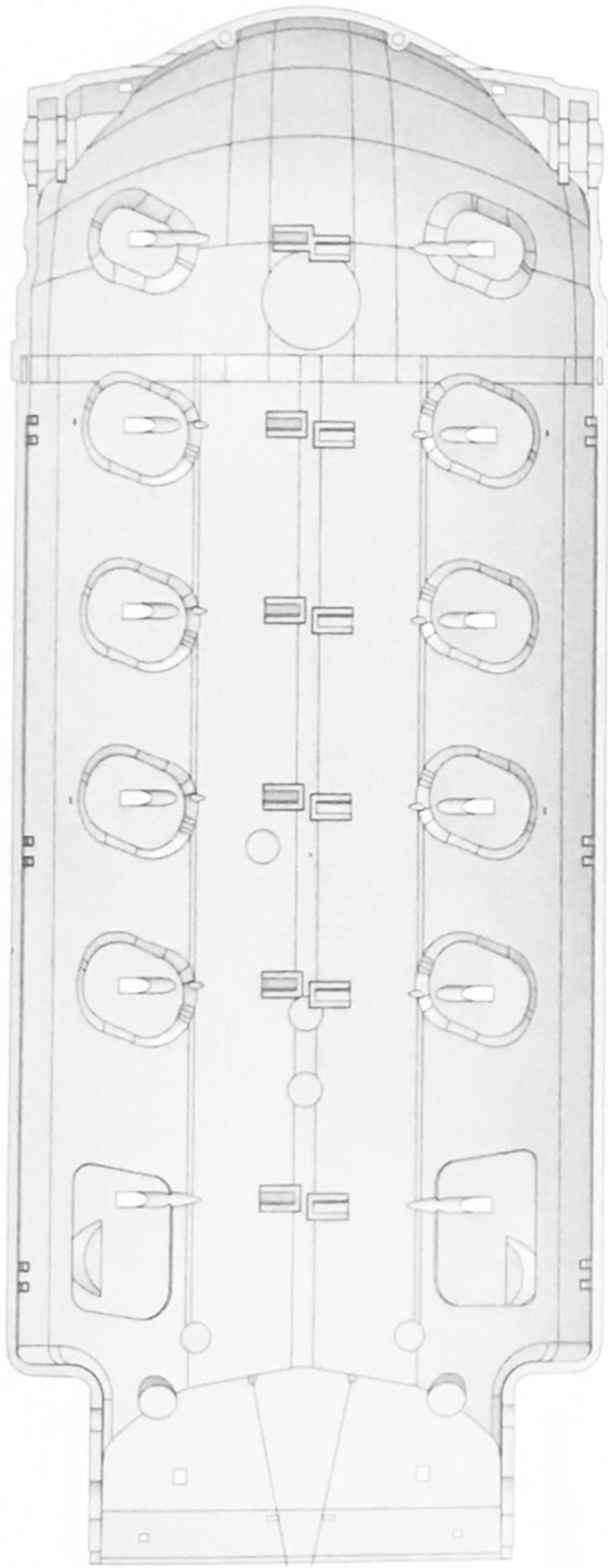
X16

Decal

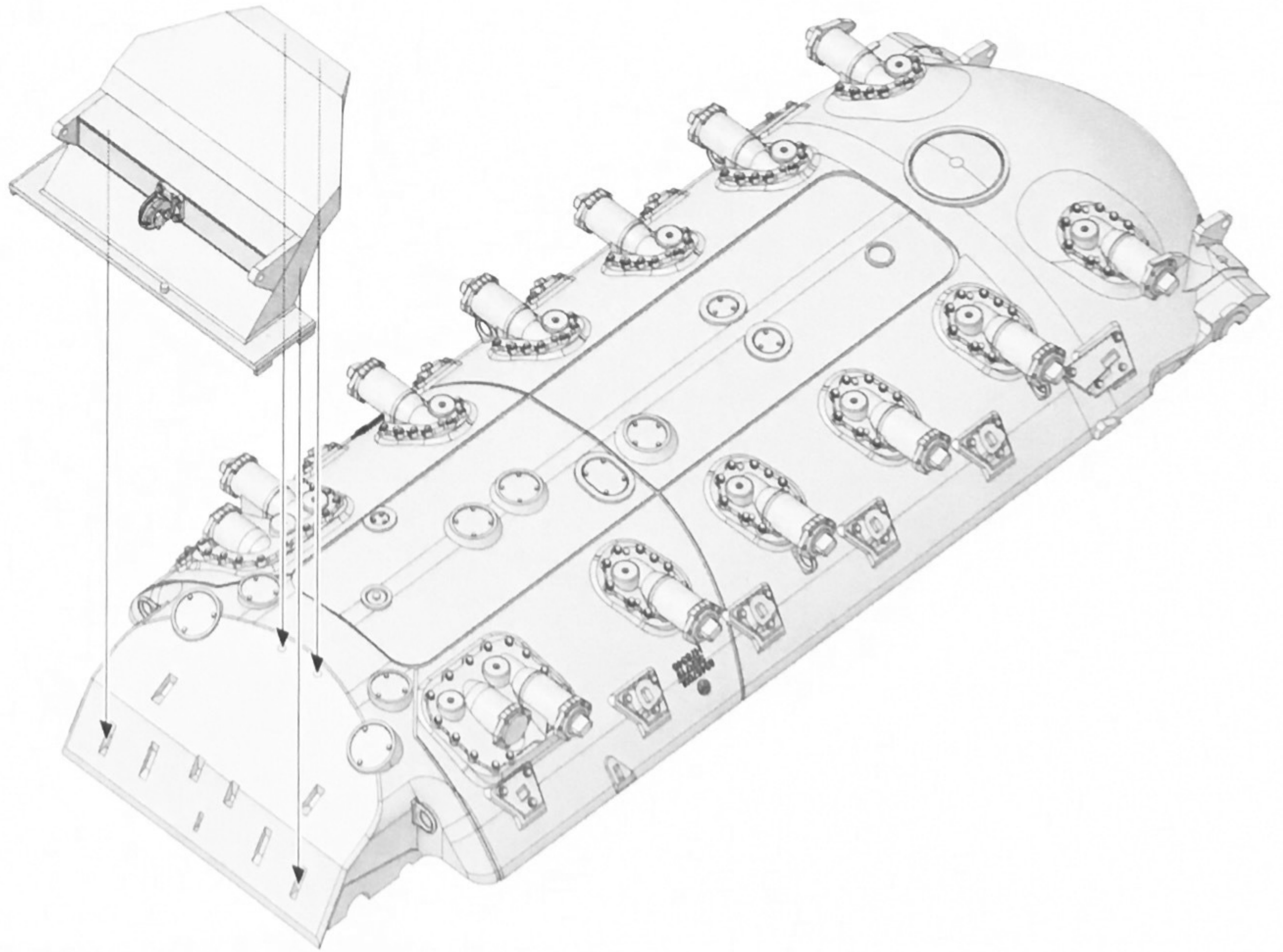
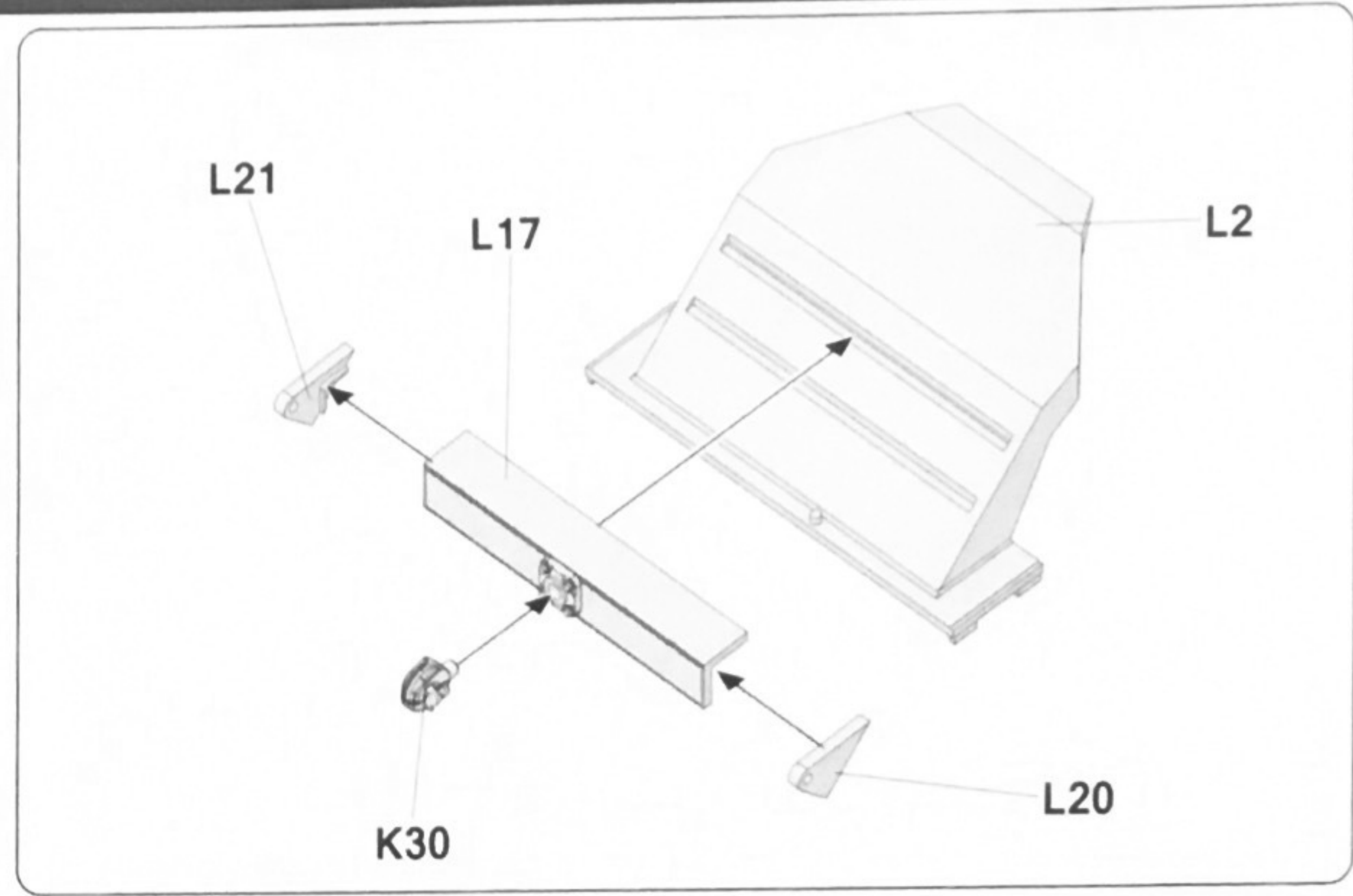
Cable

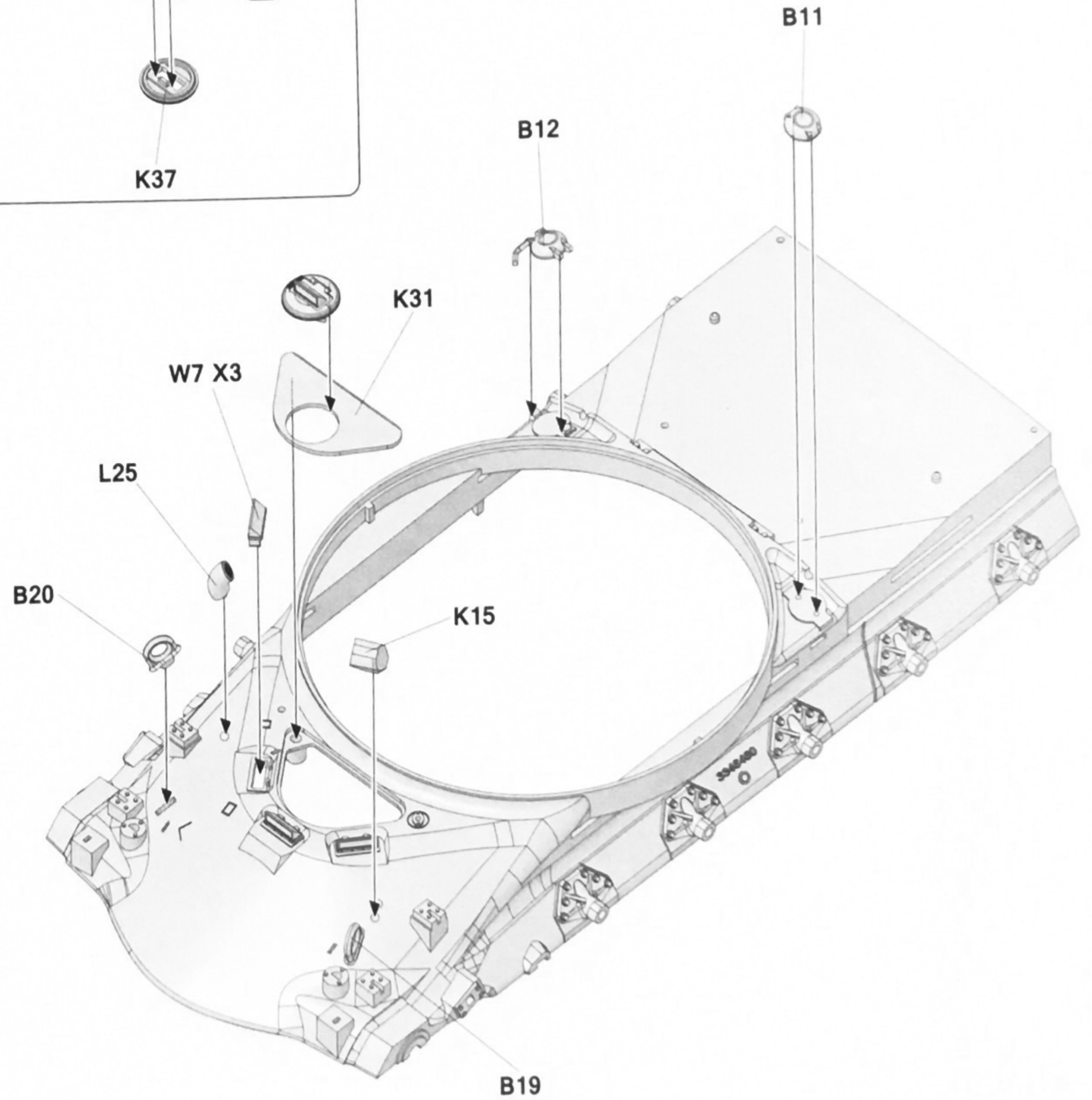
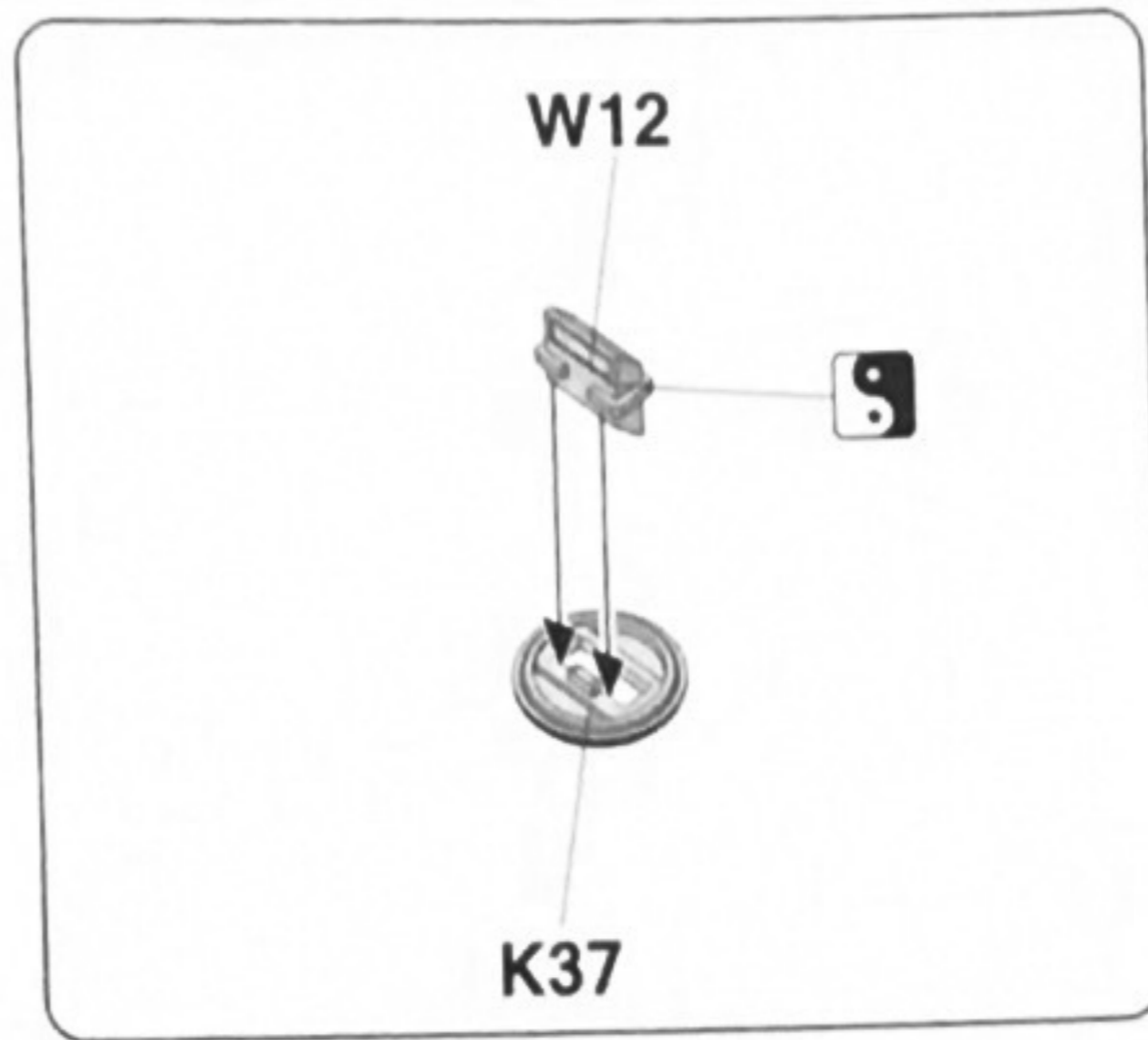
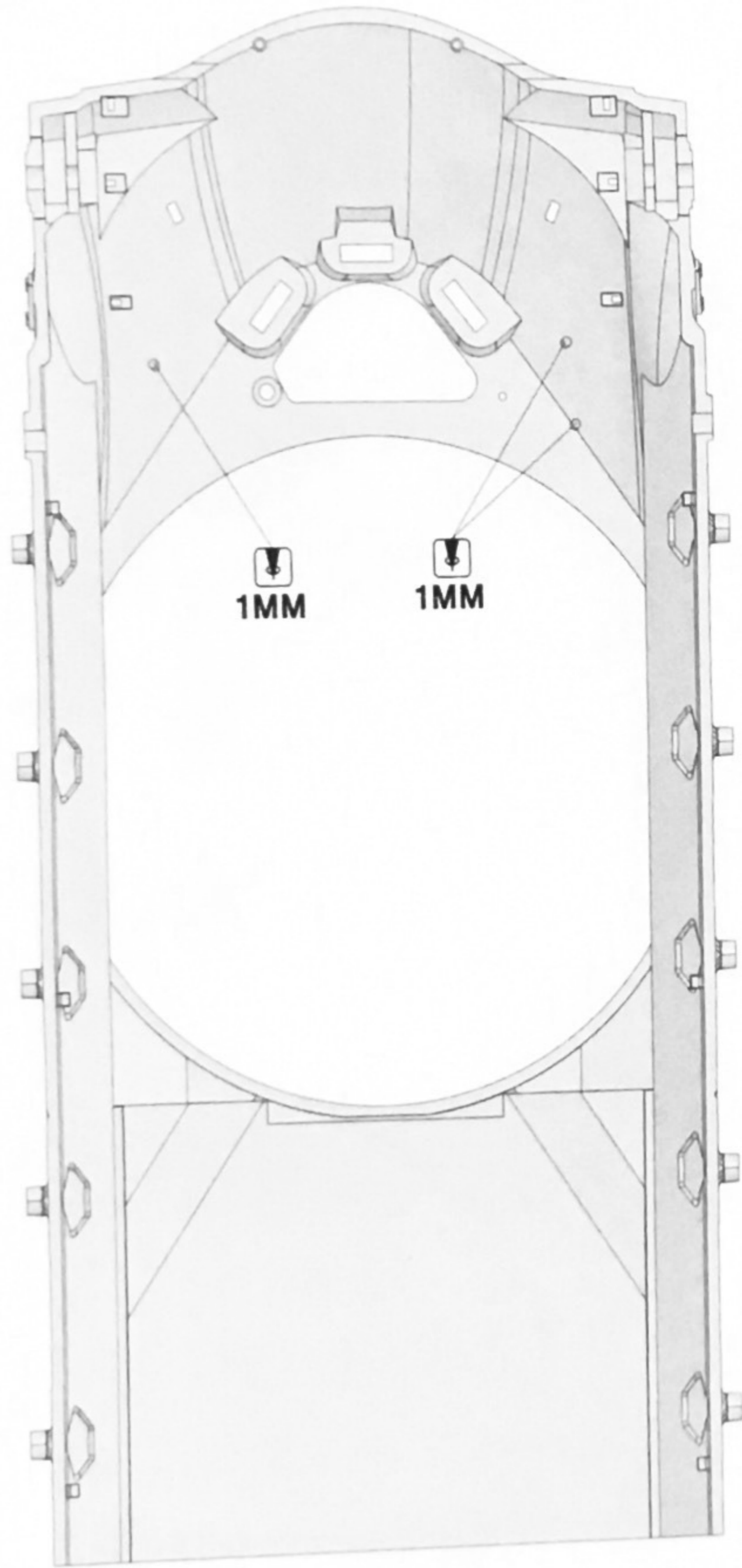
TP

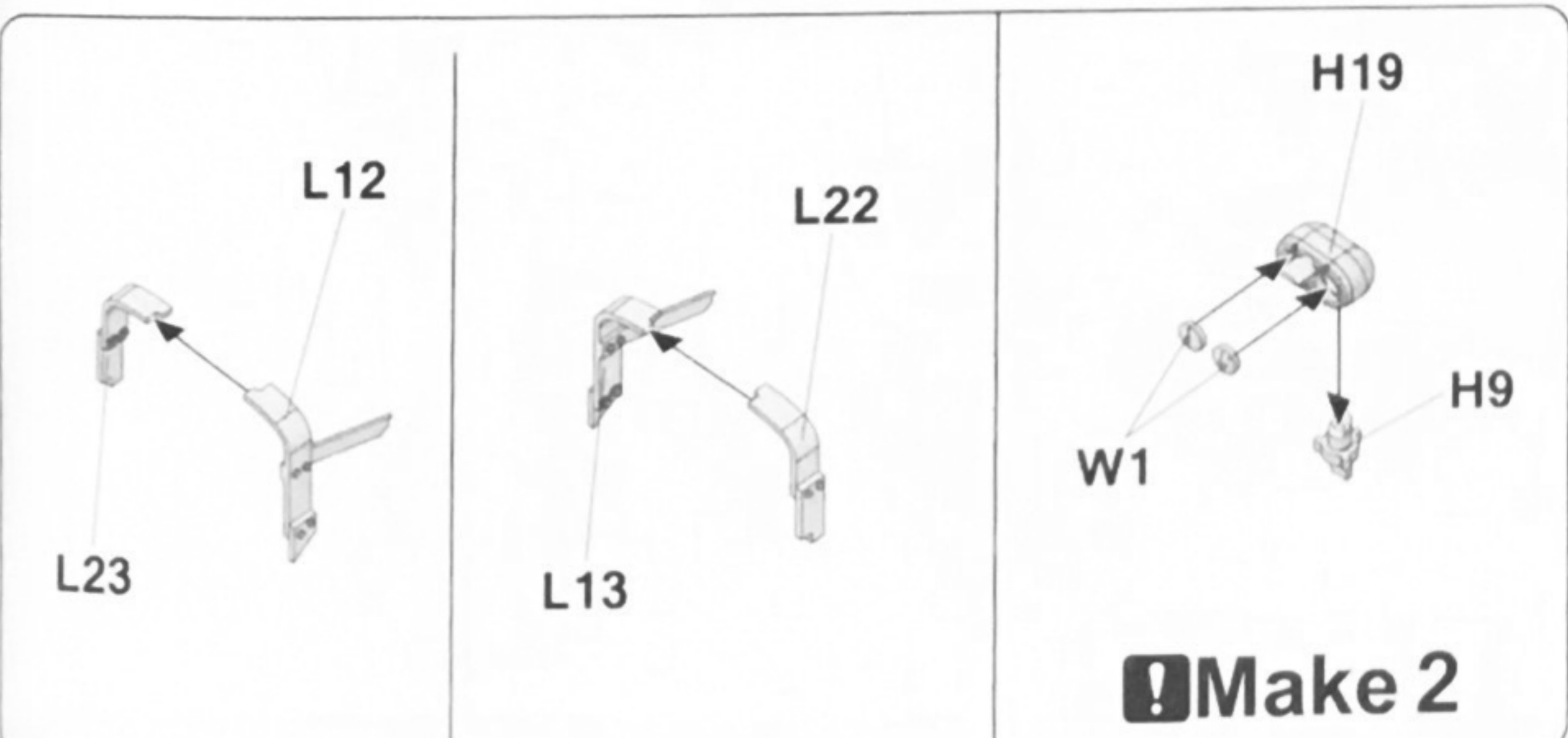
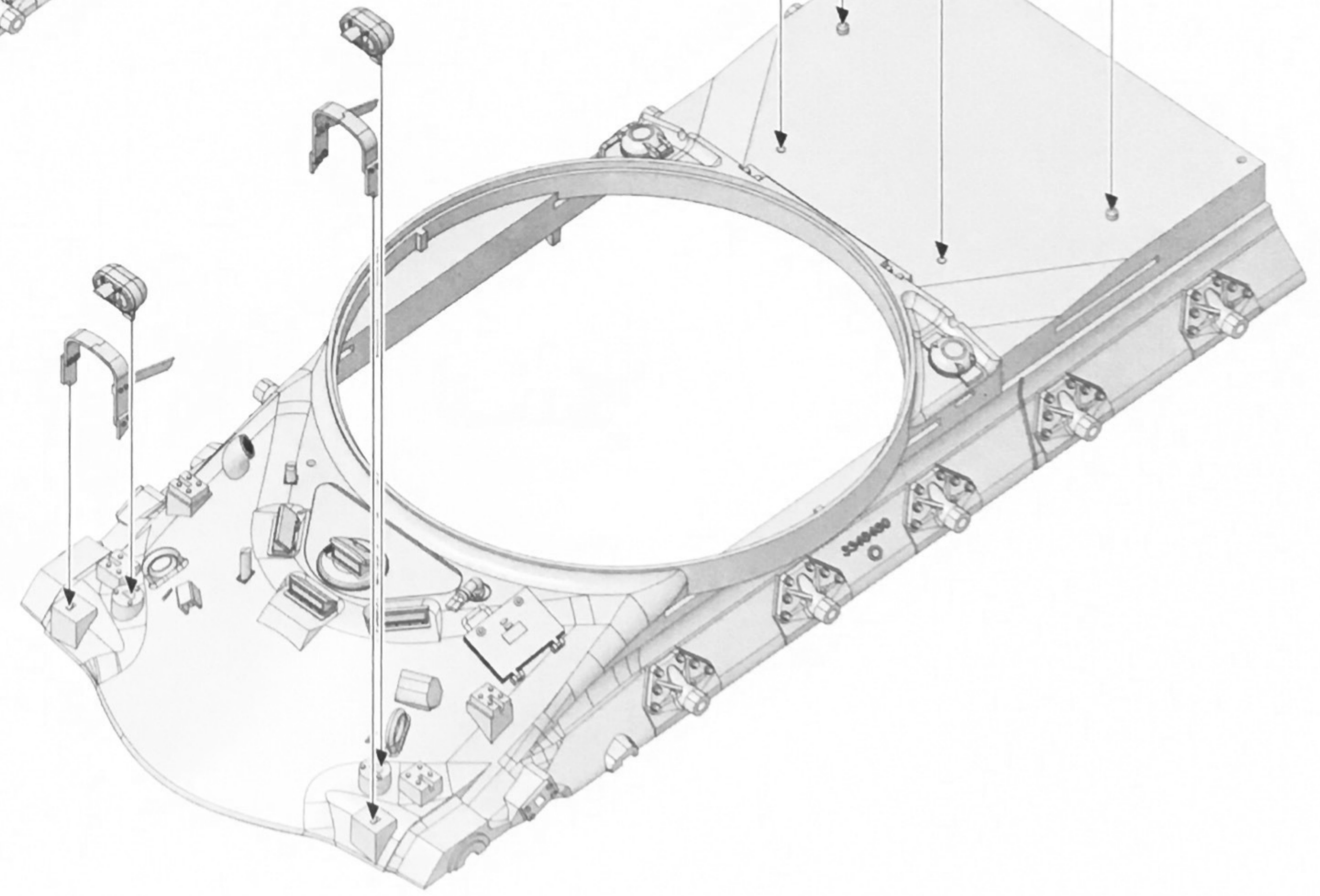
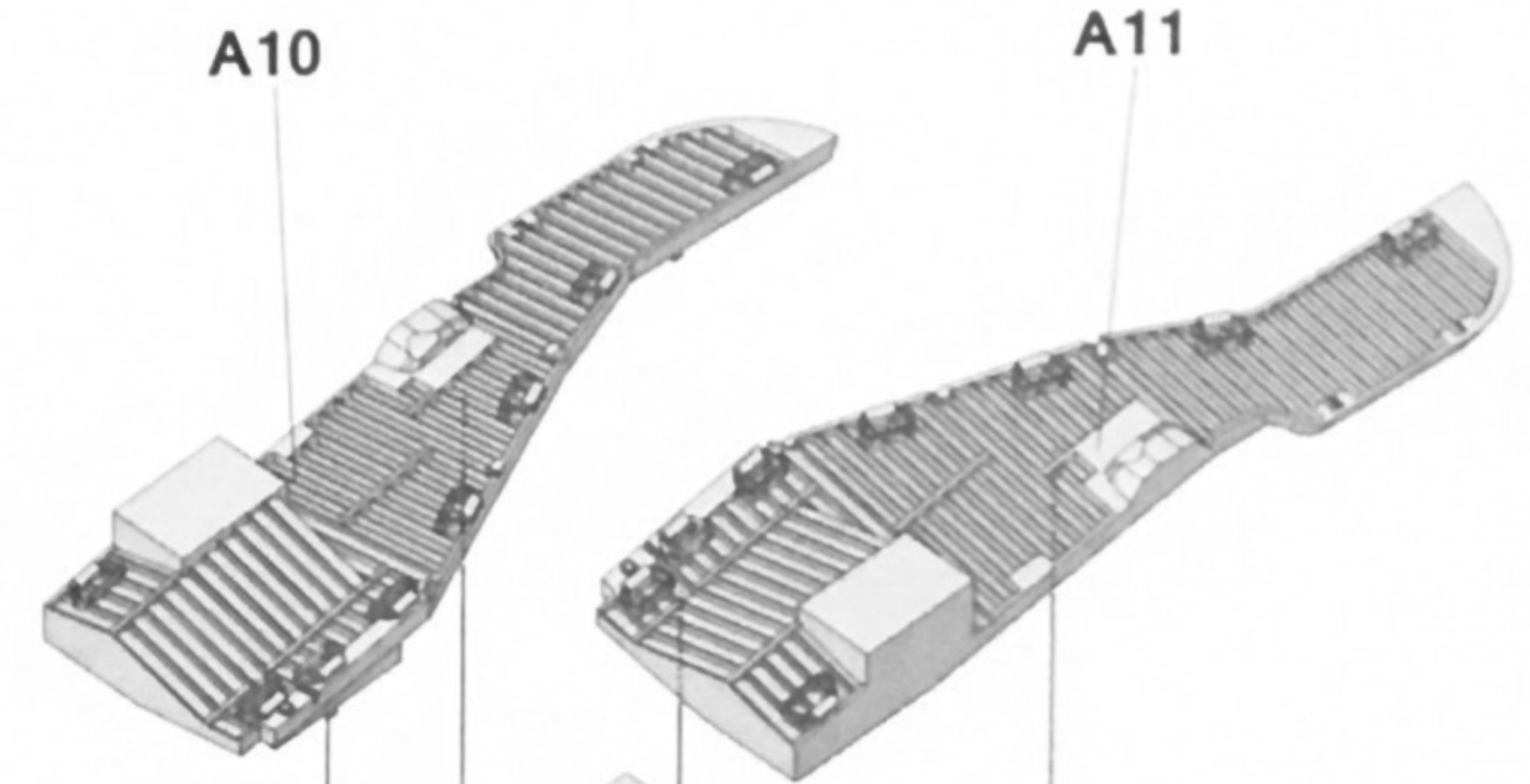
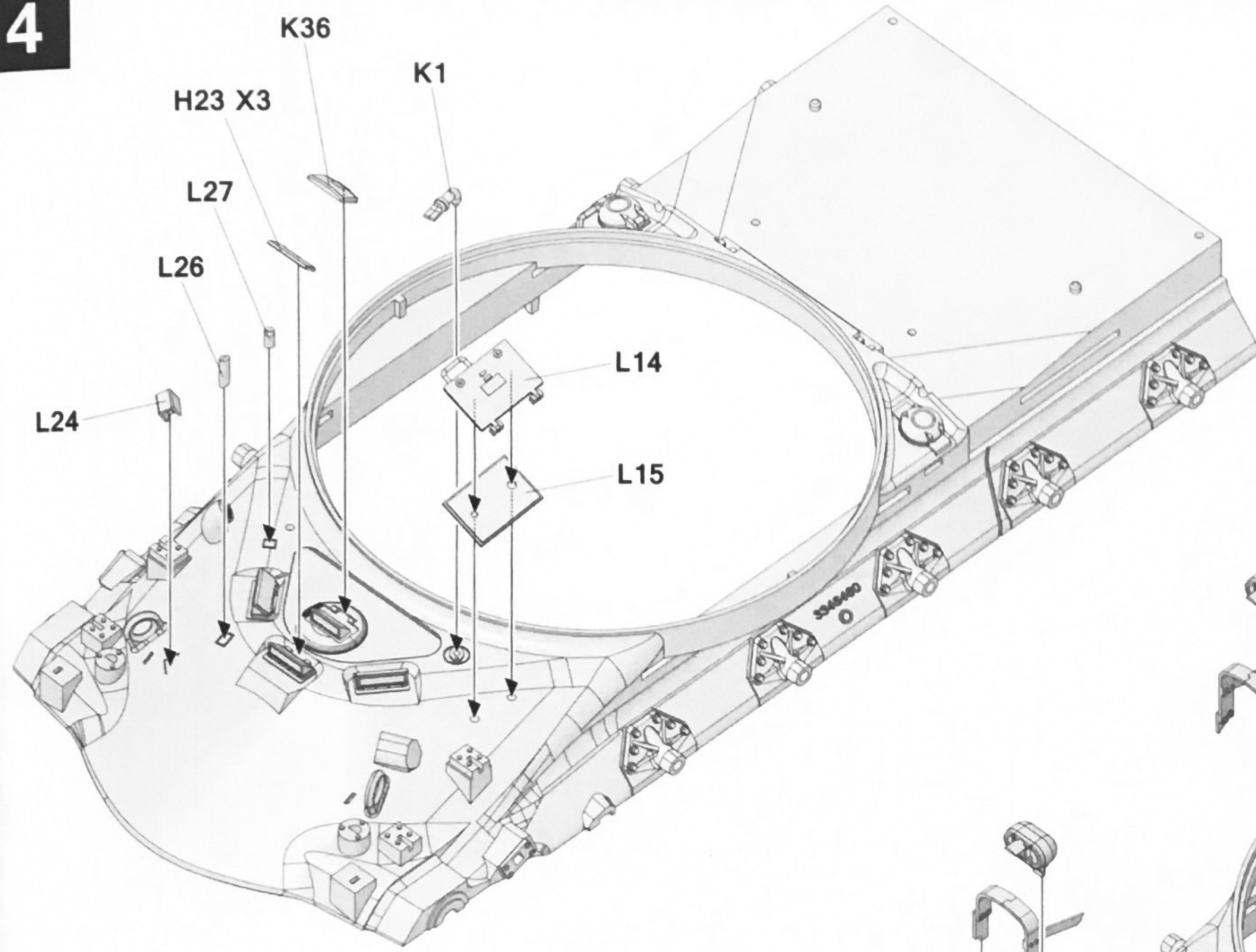


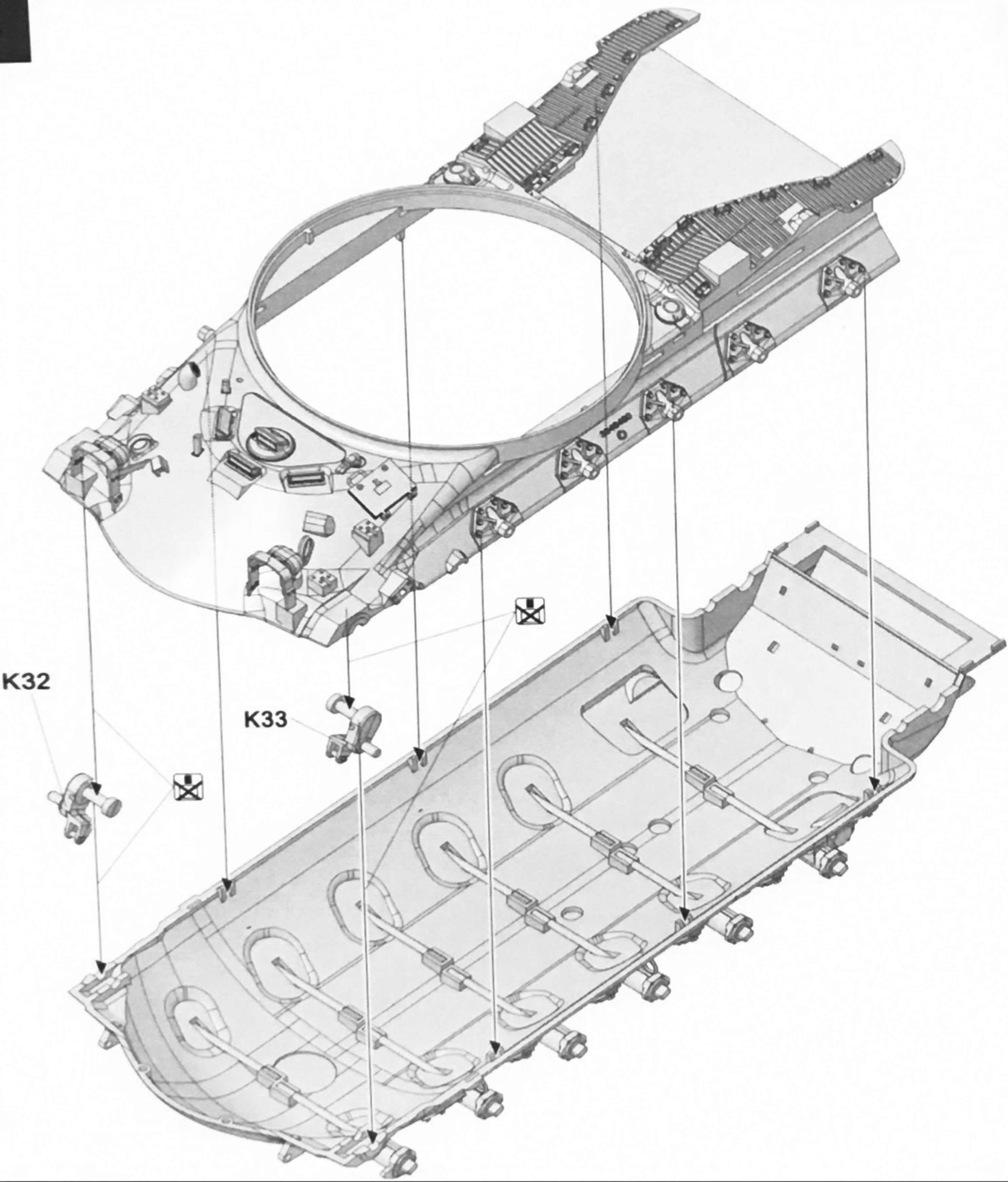


1MM

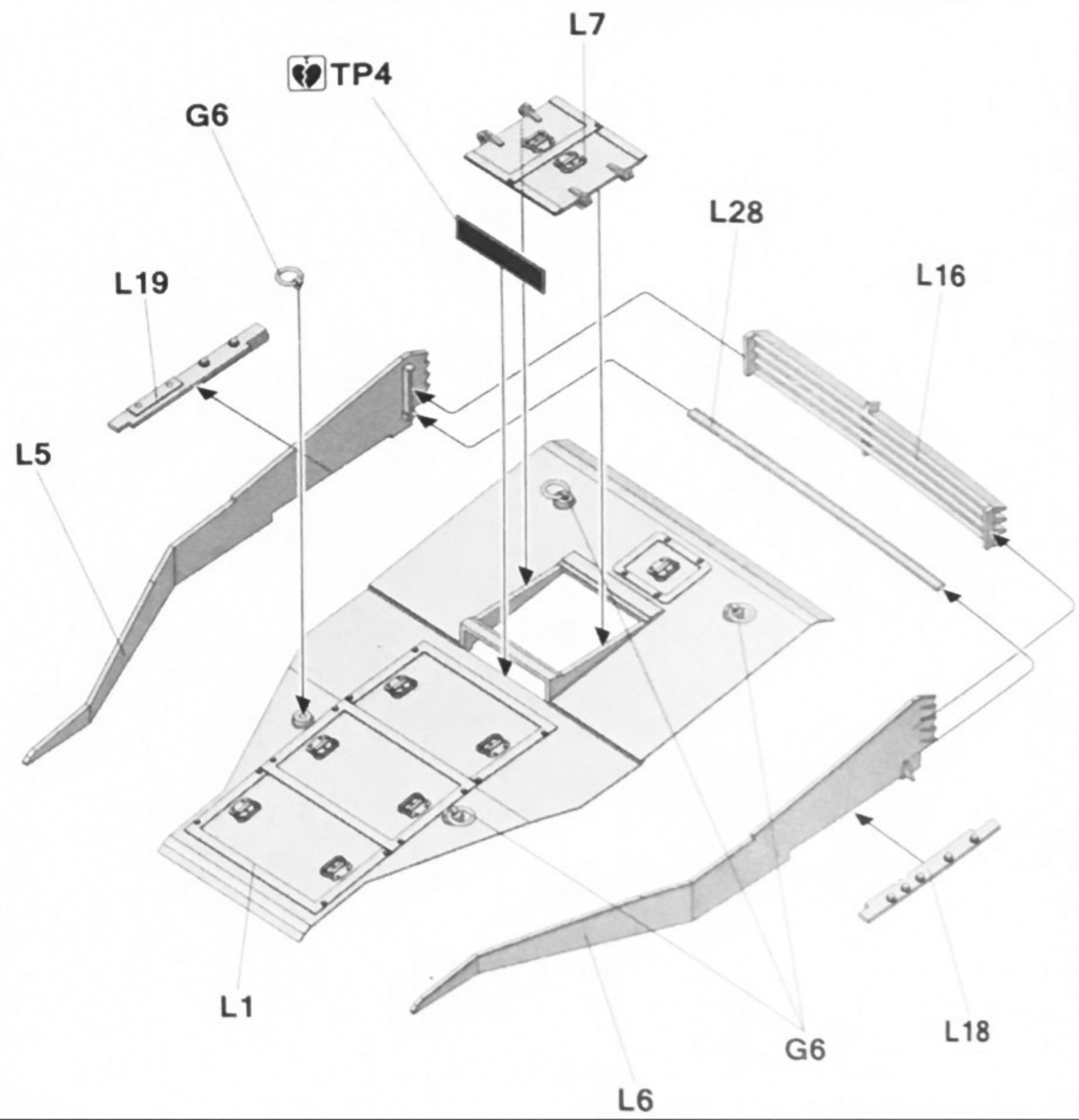
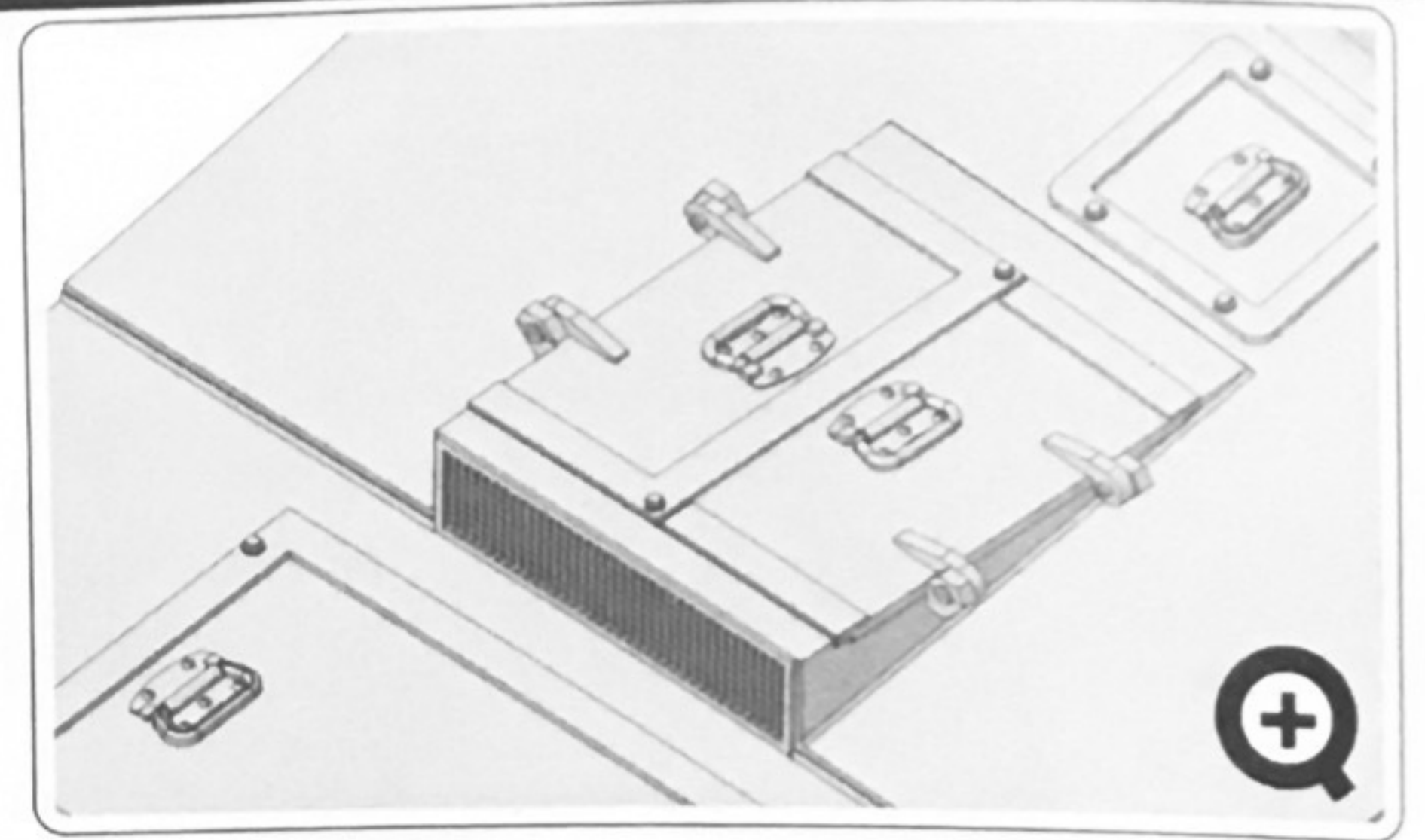


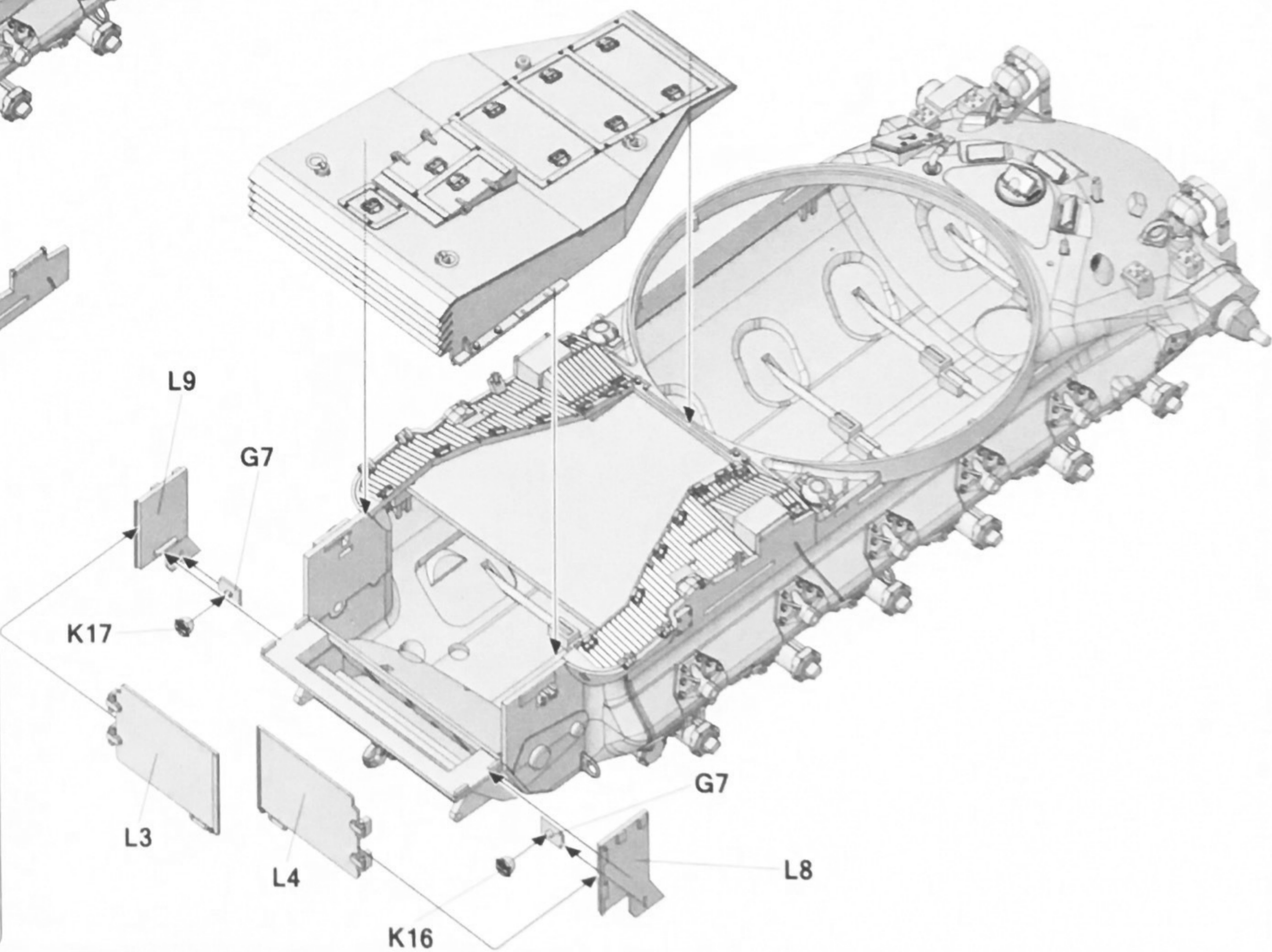
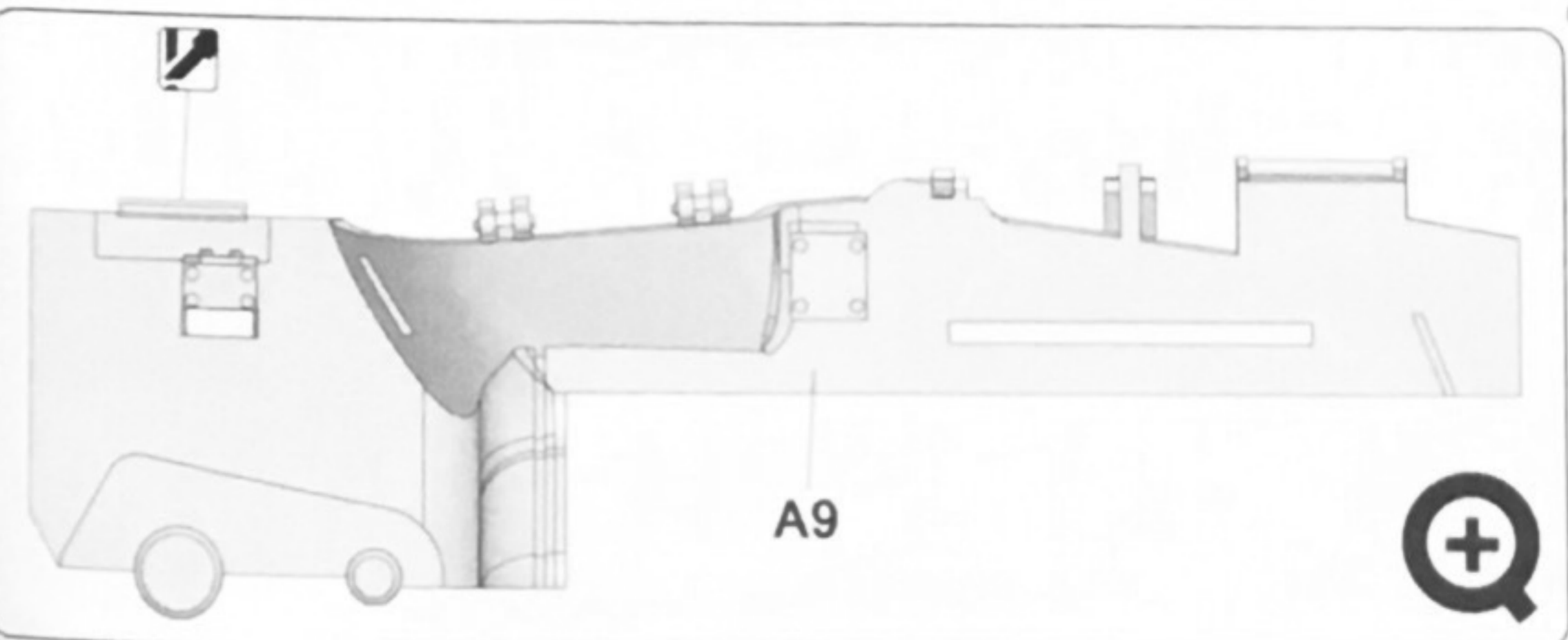
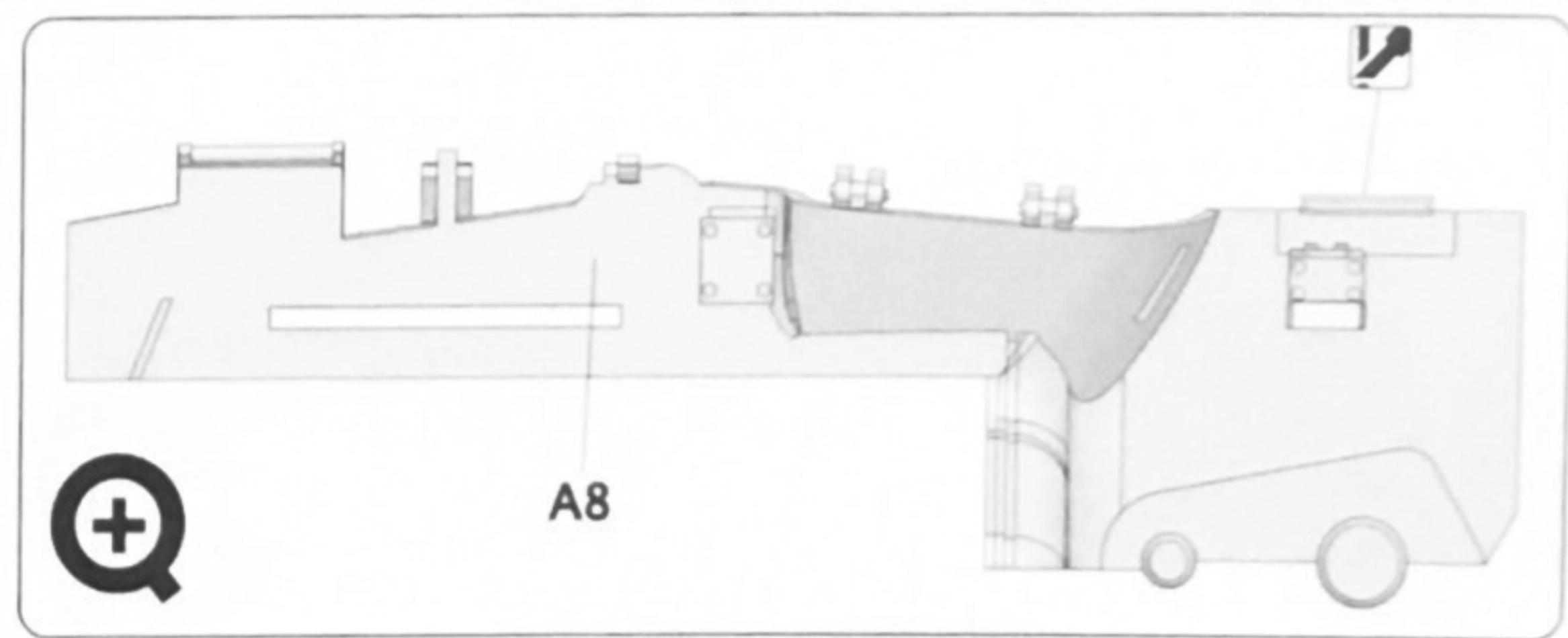
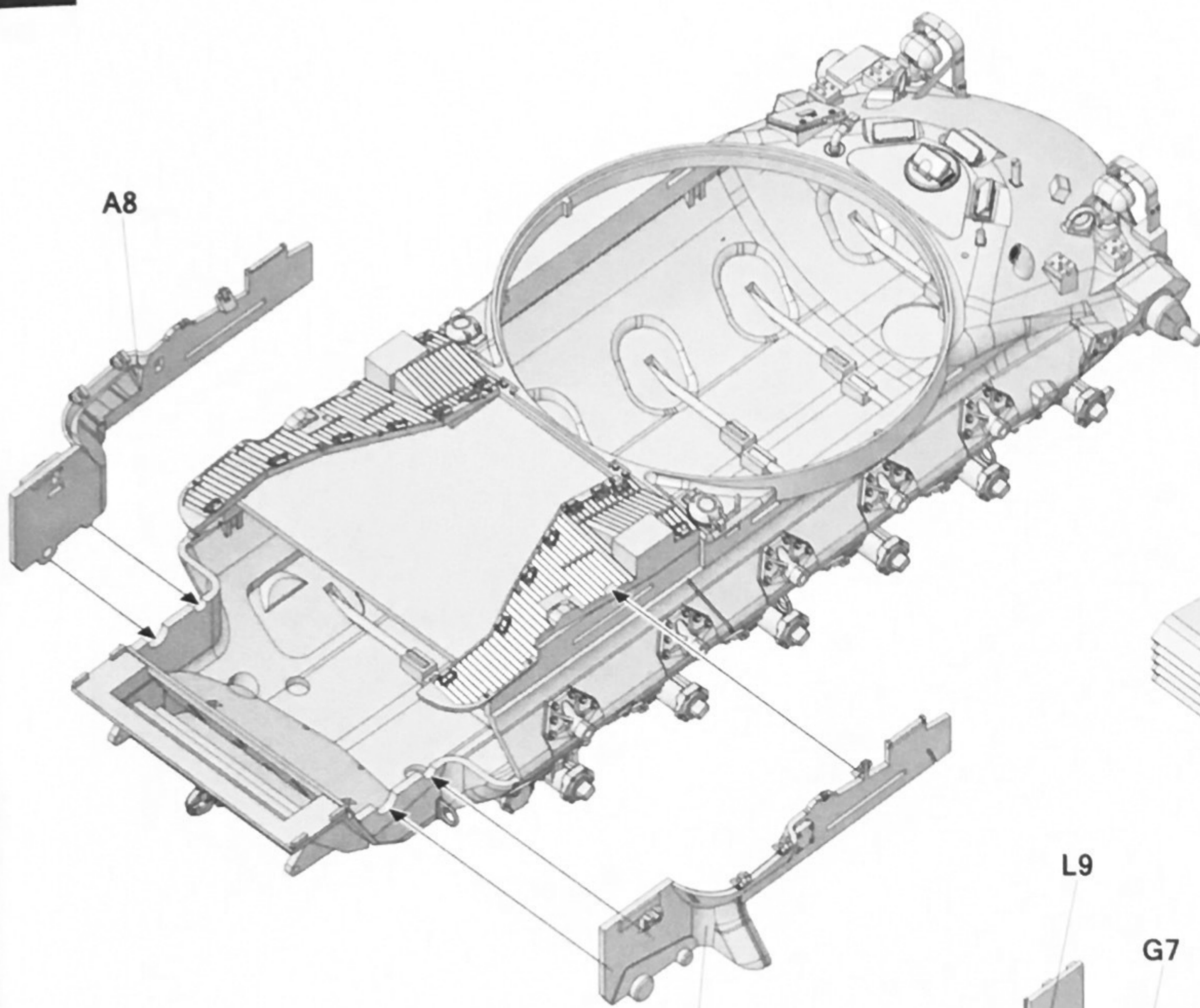


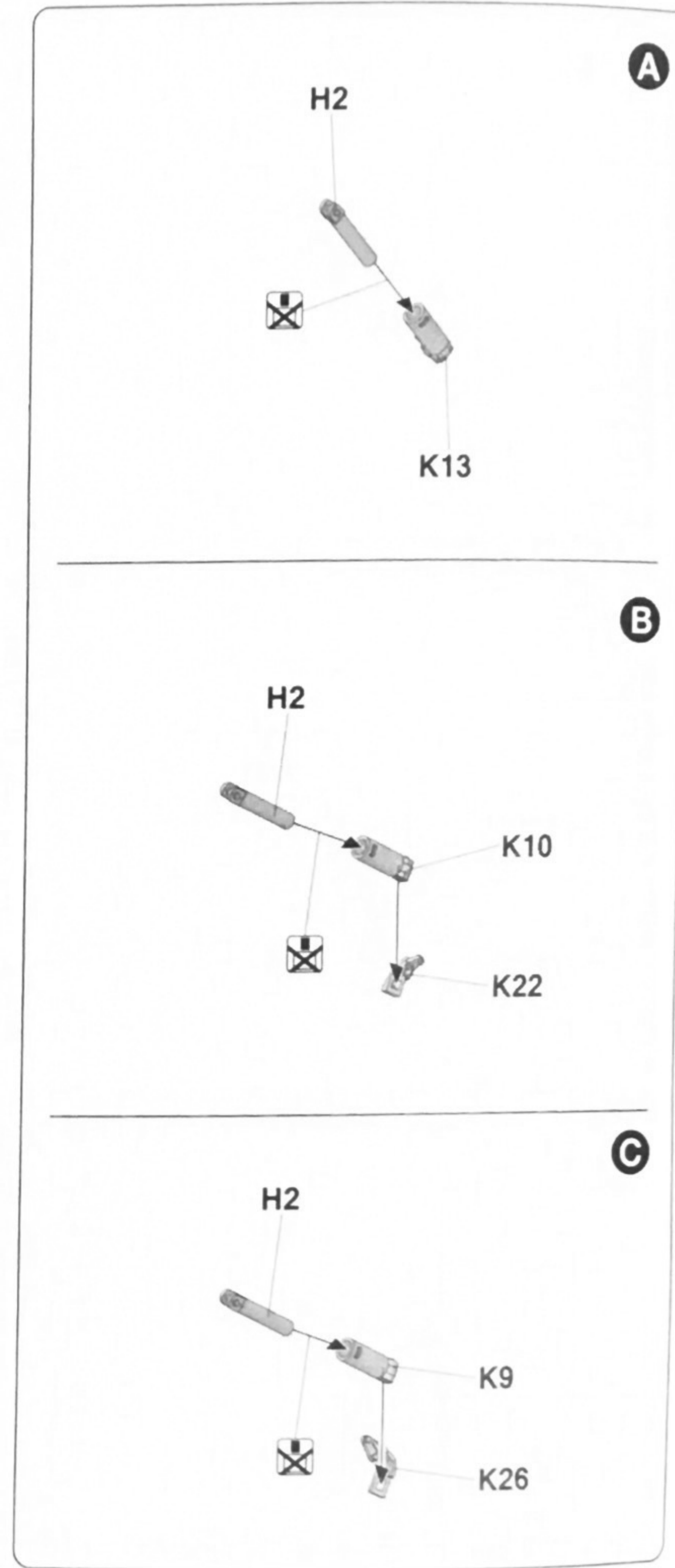
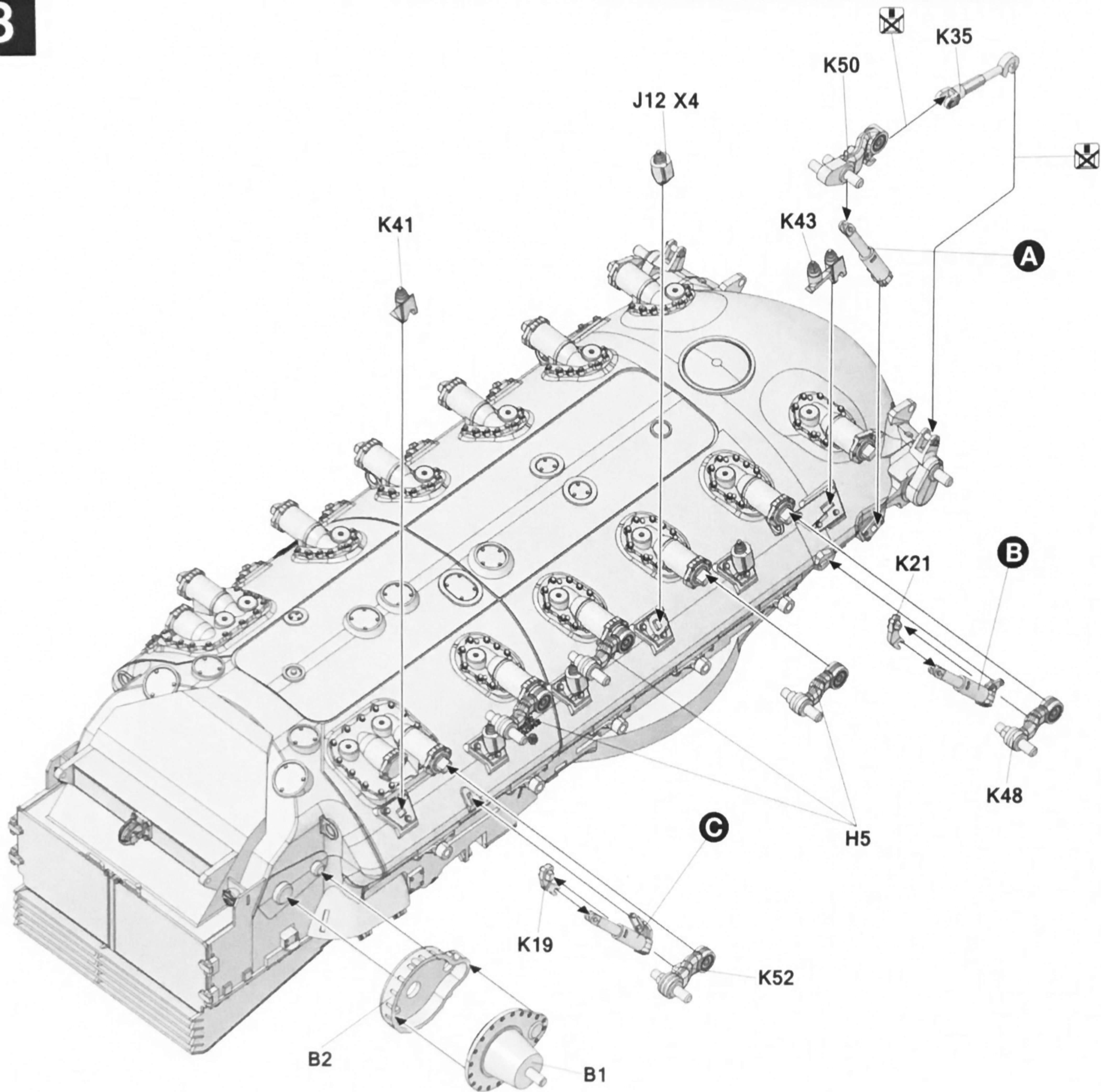


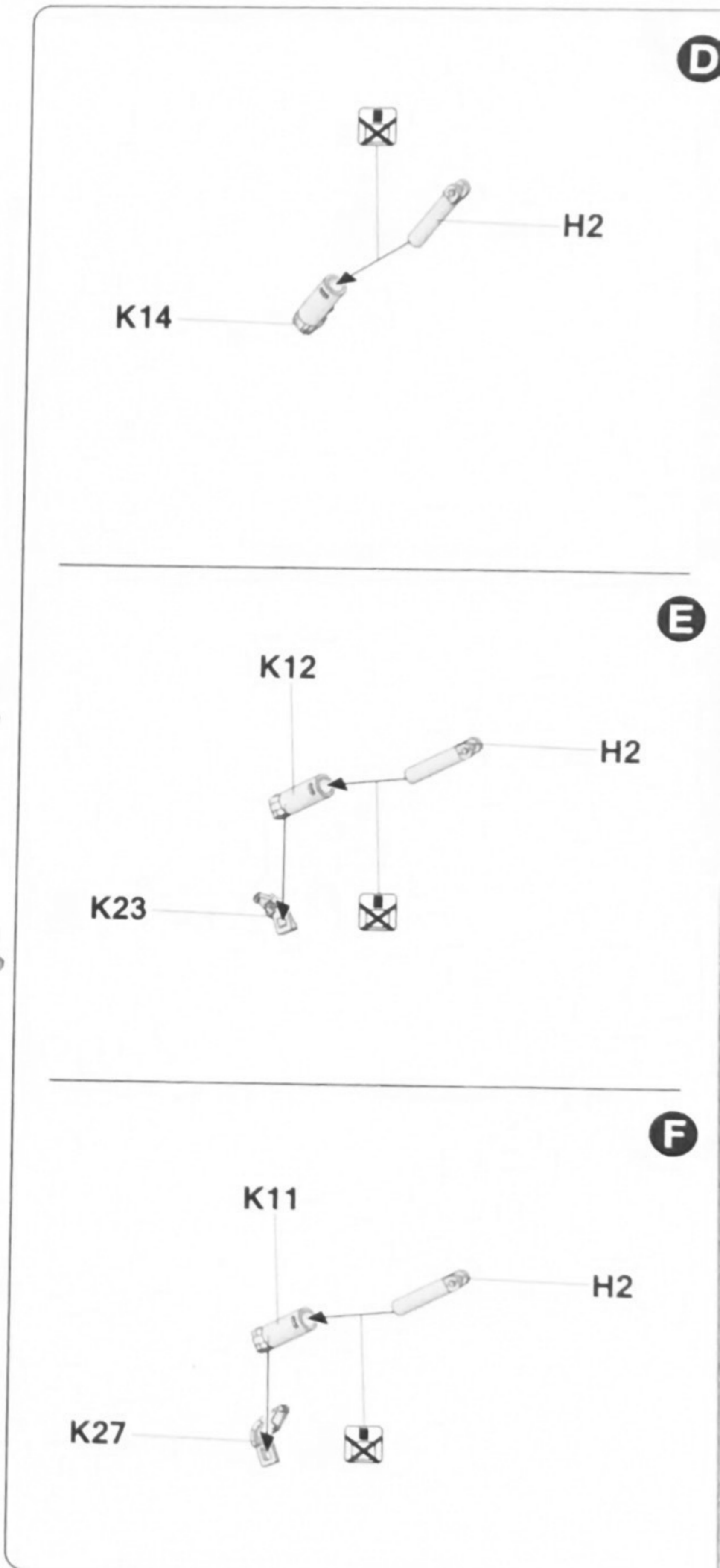
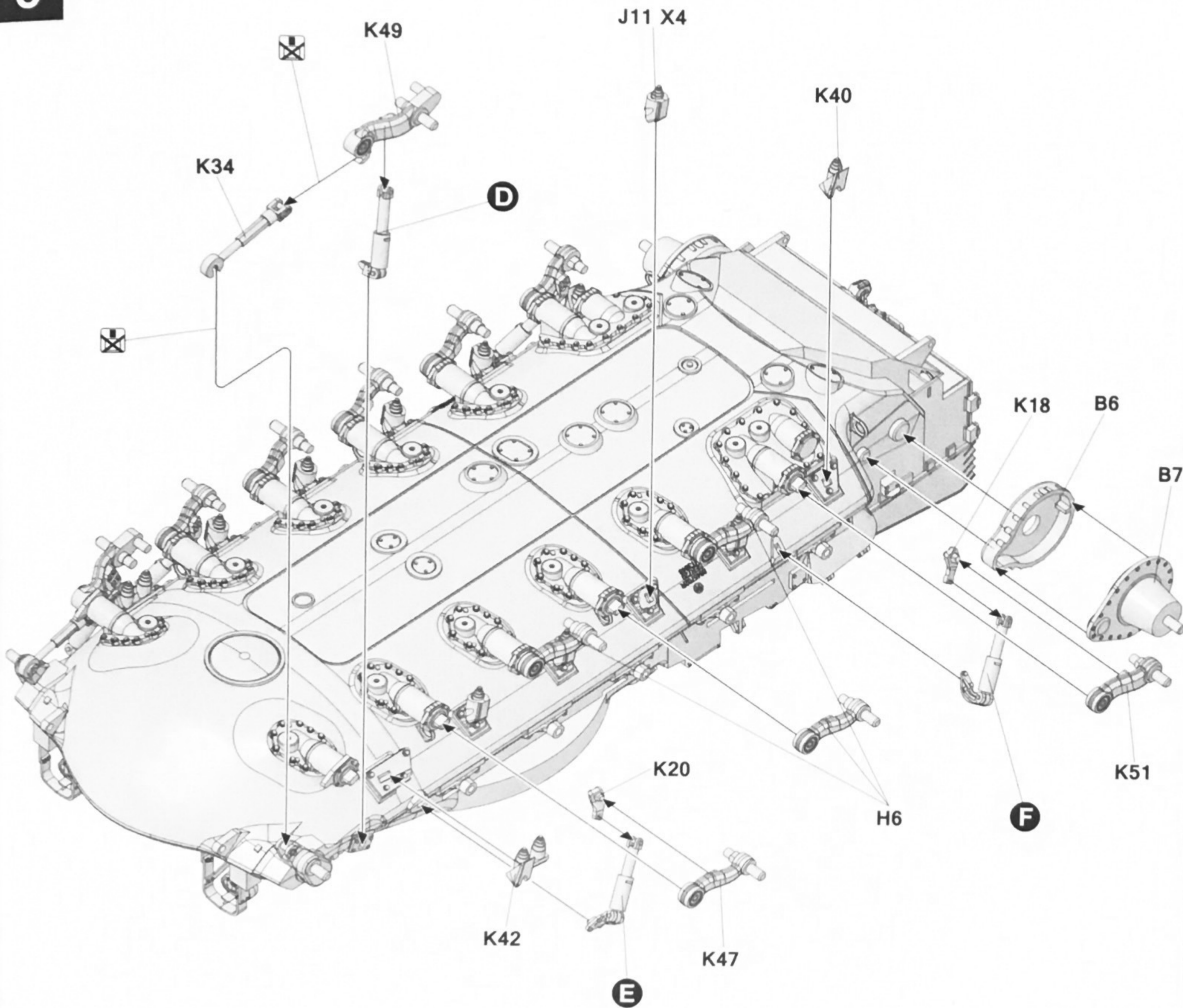


6

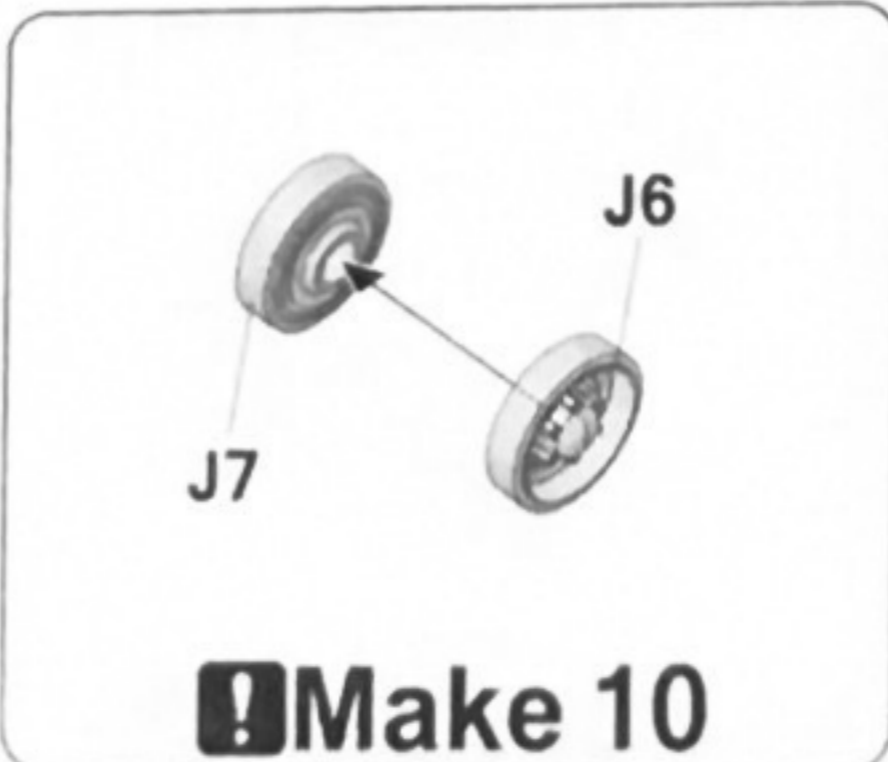
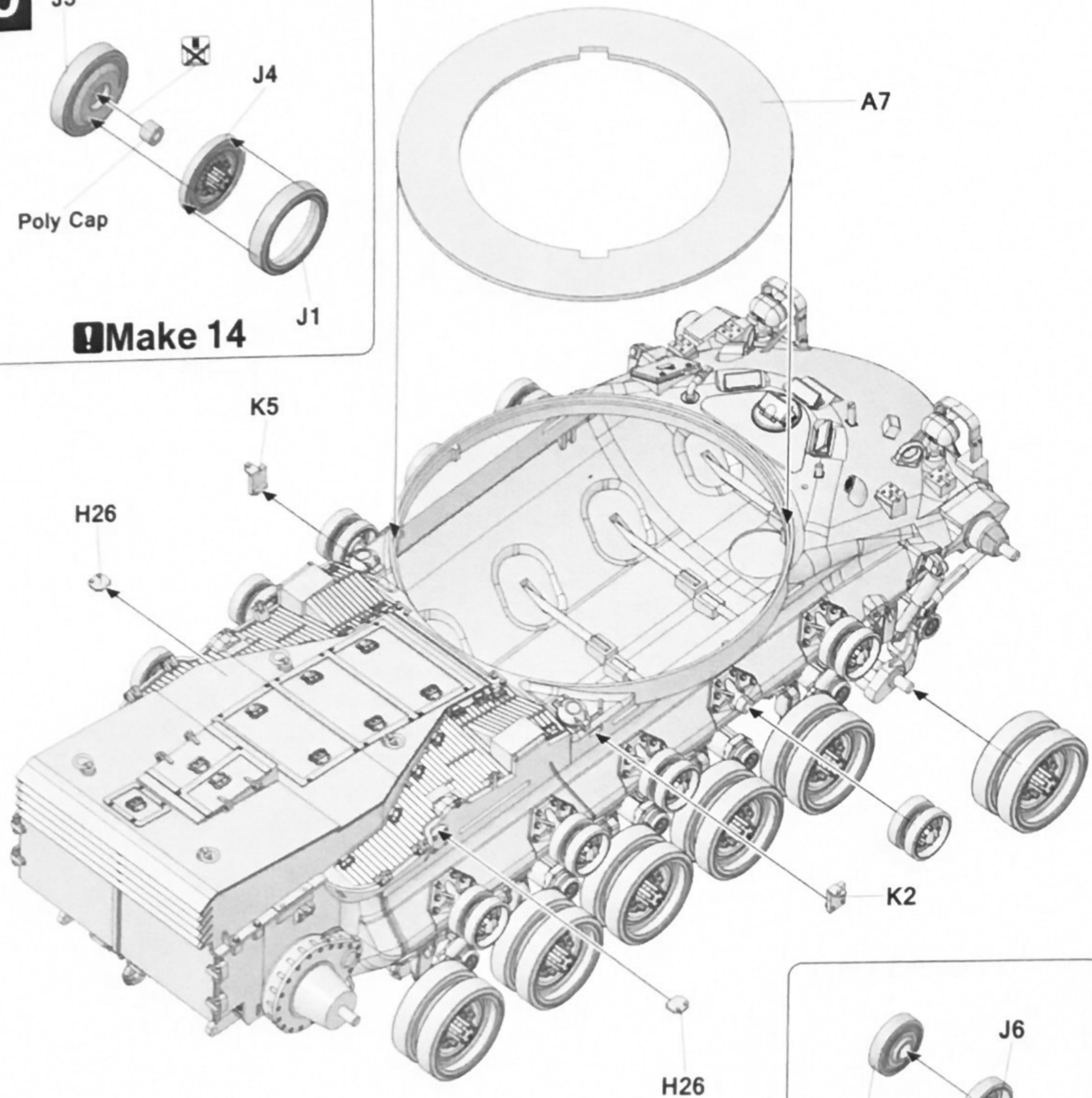
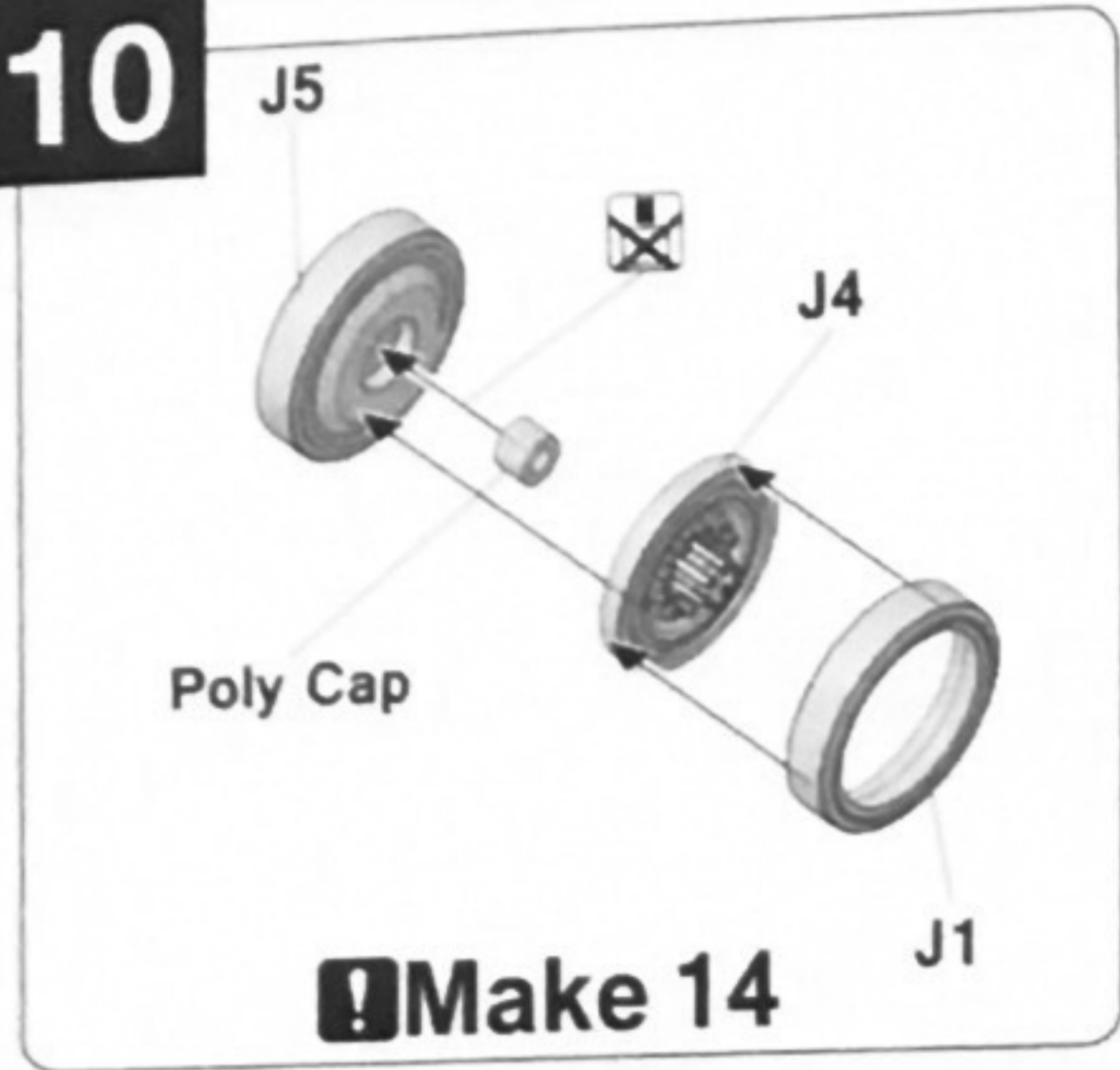




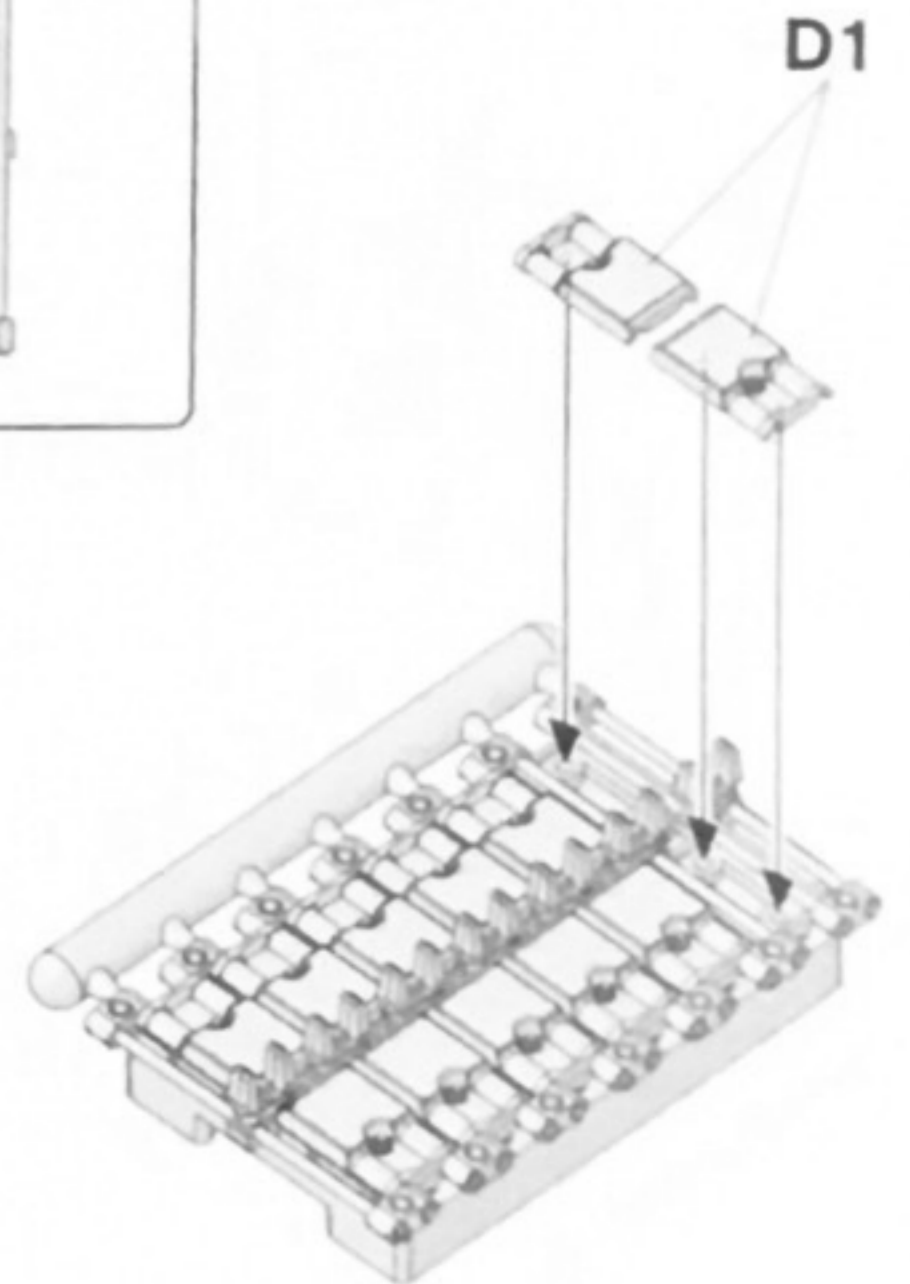
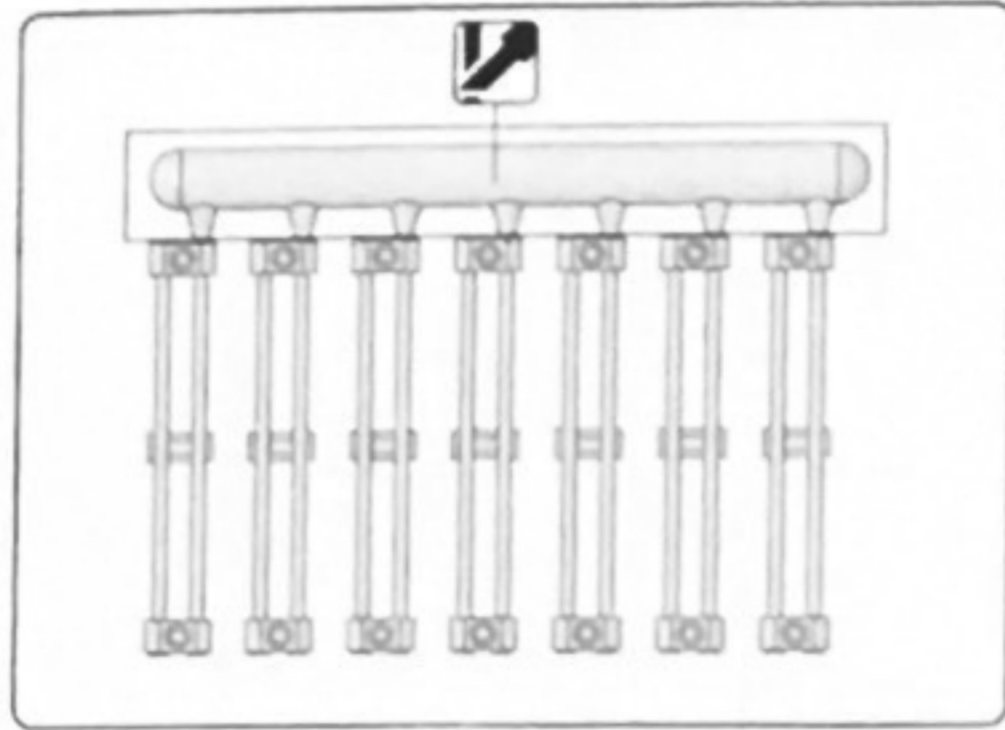
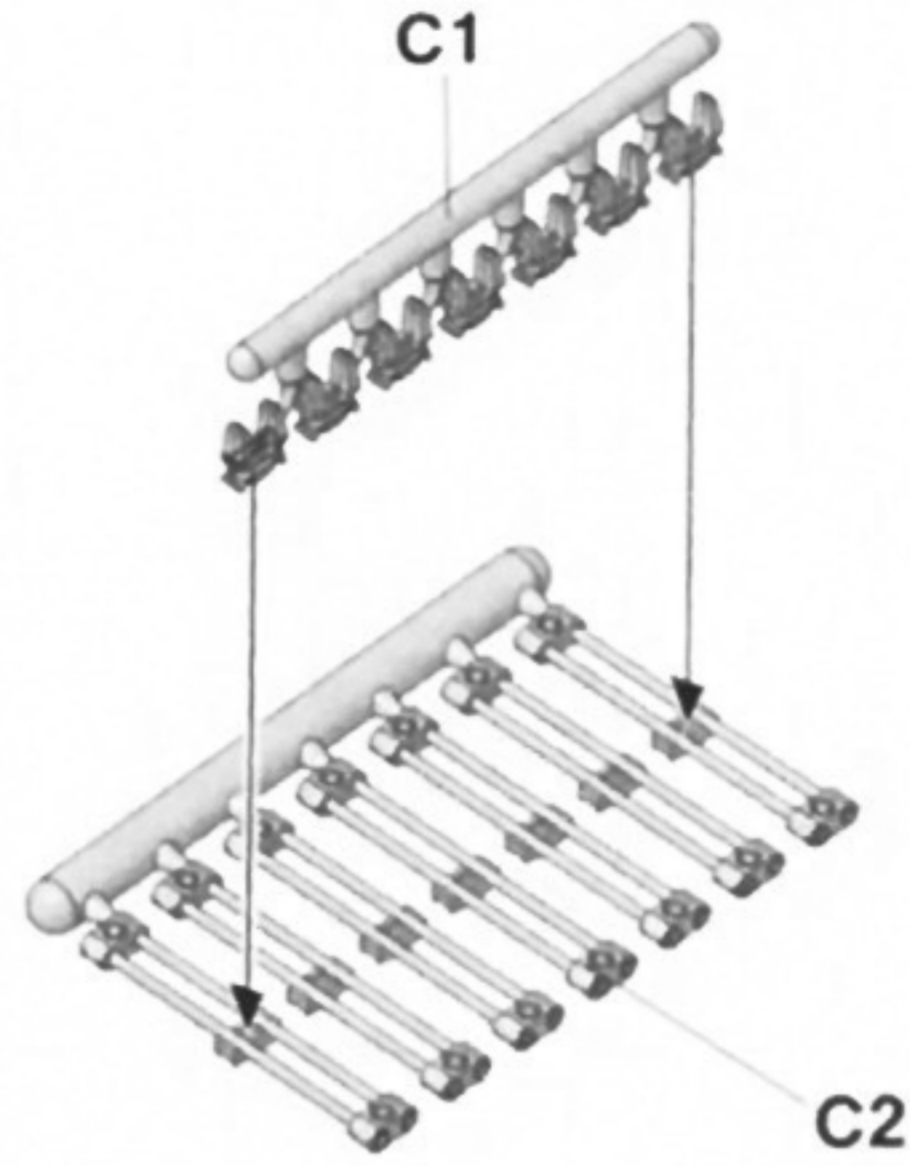
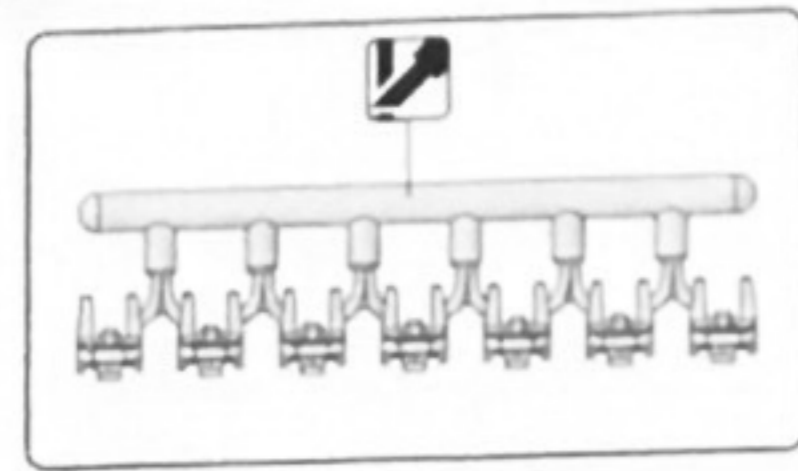




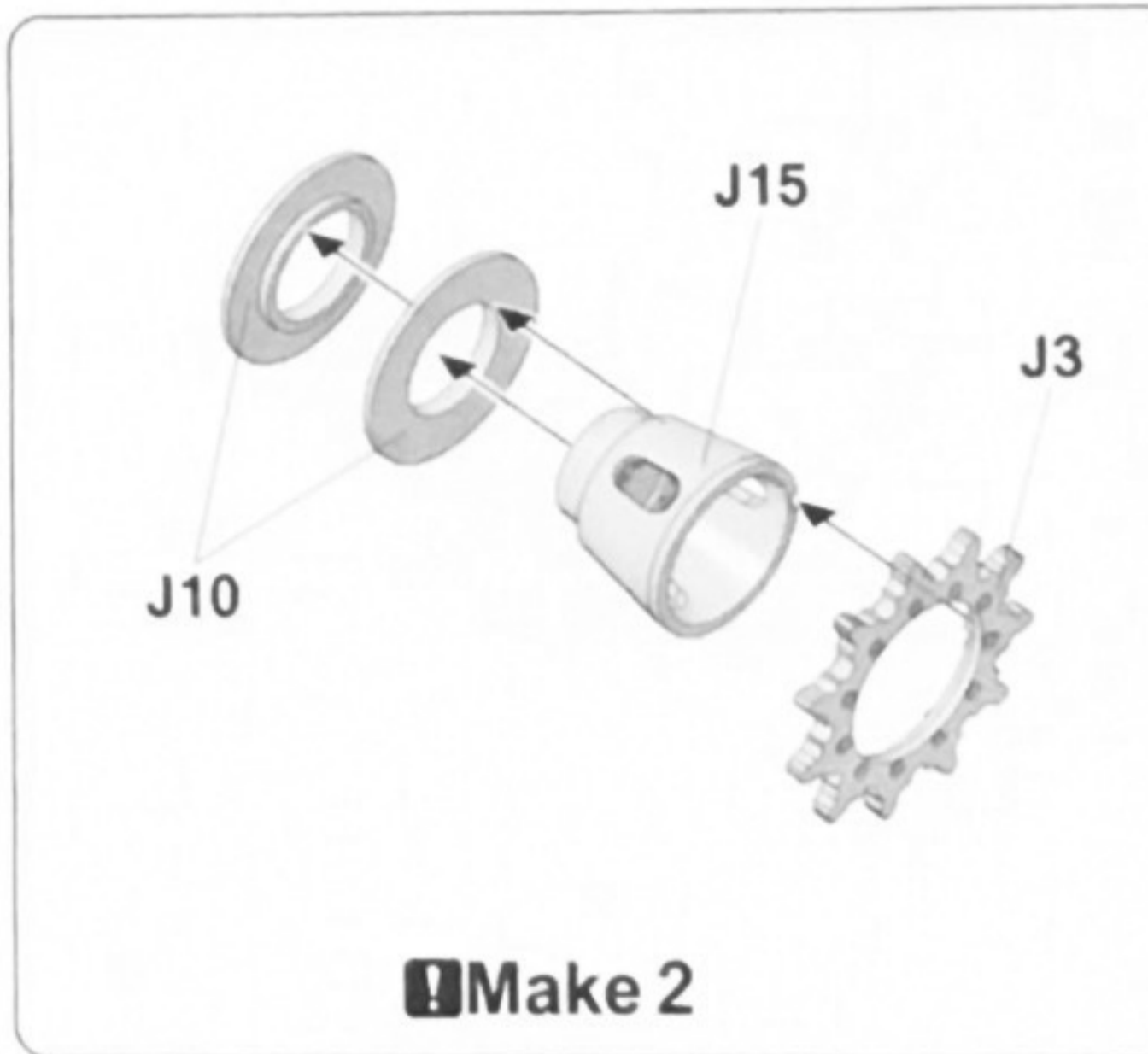
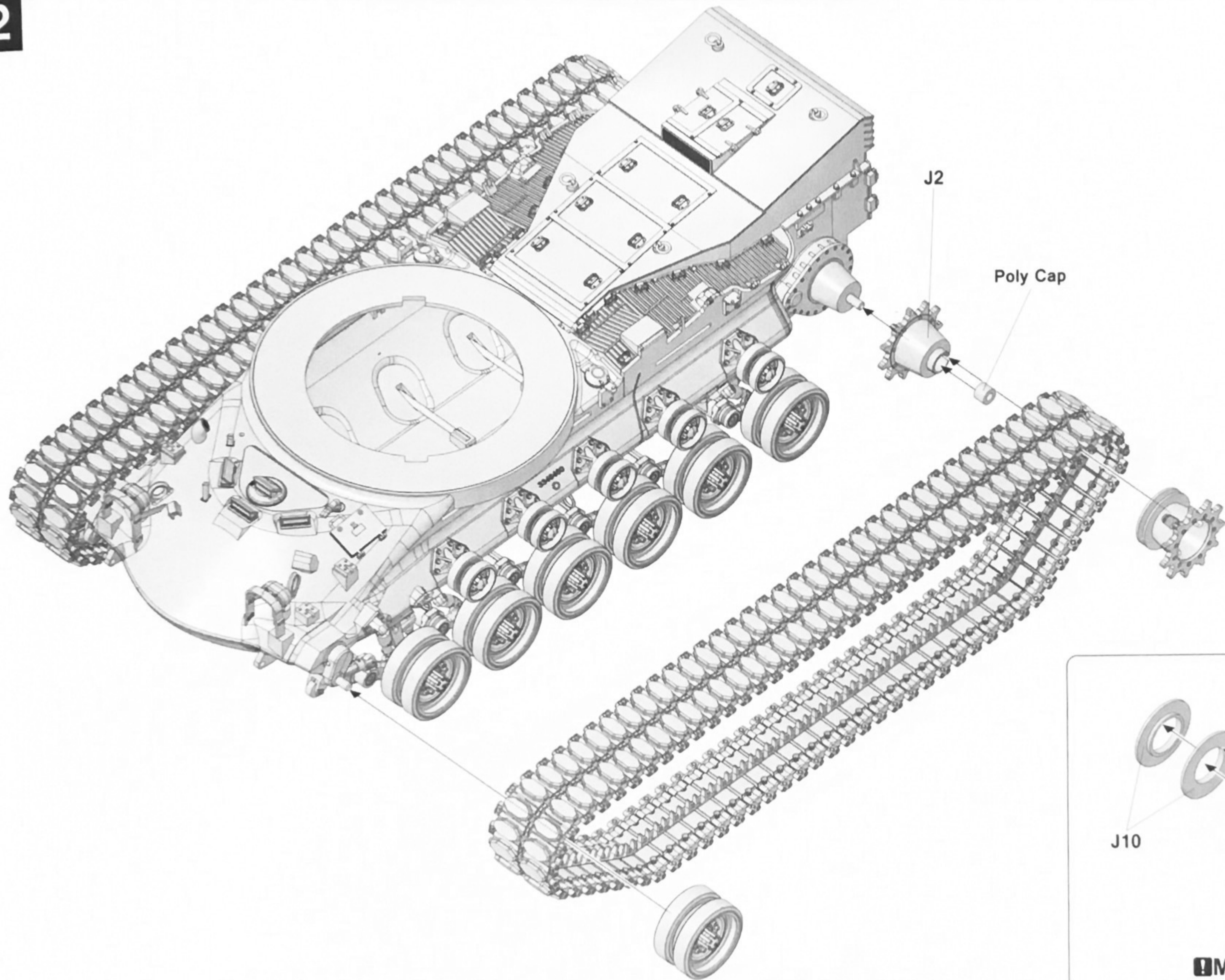
10

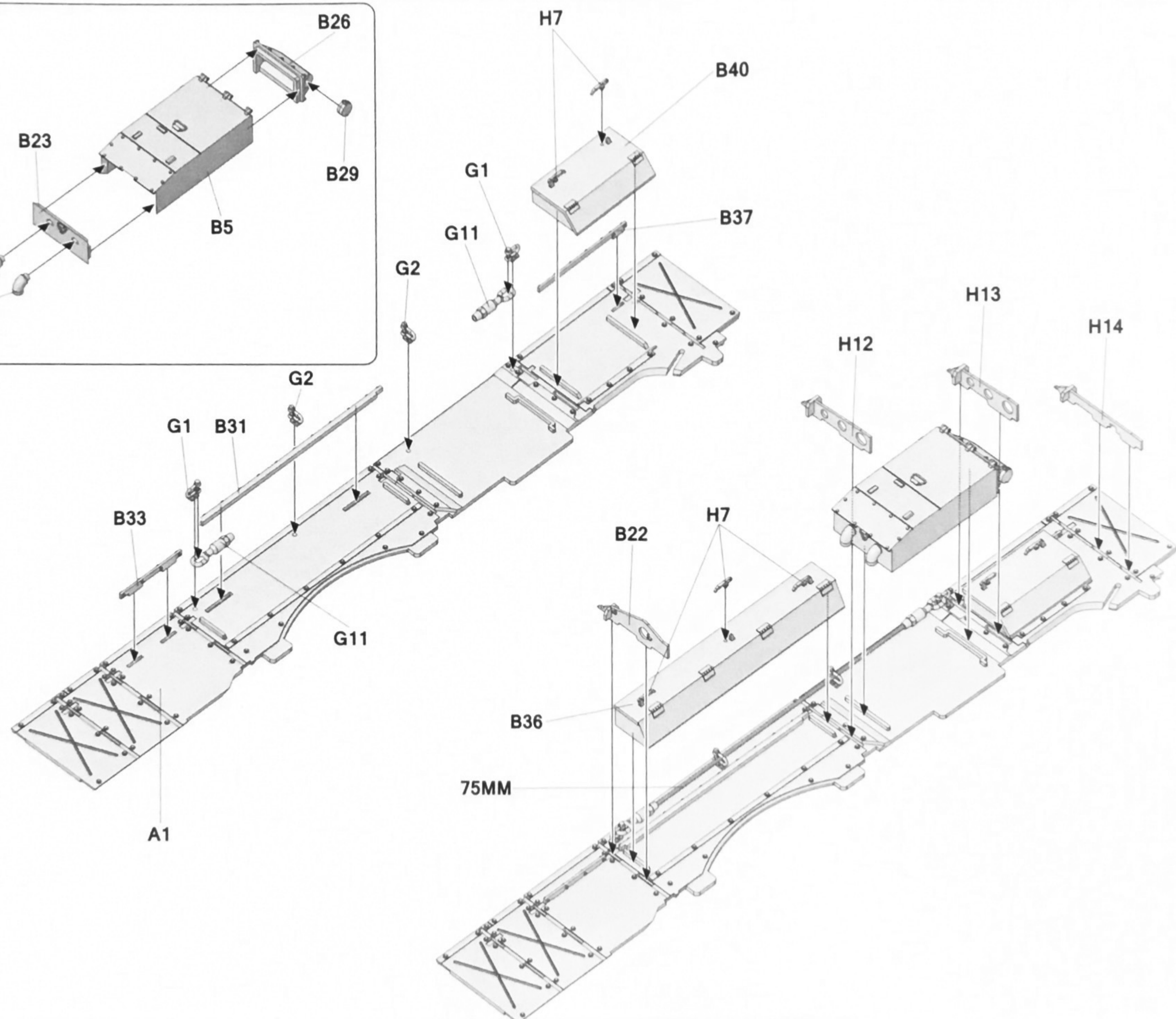
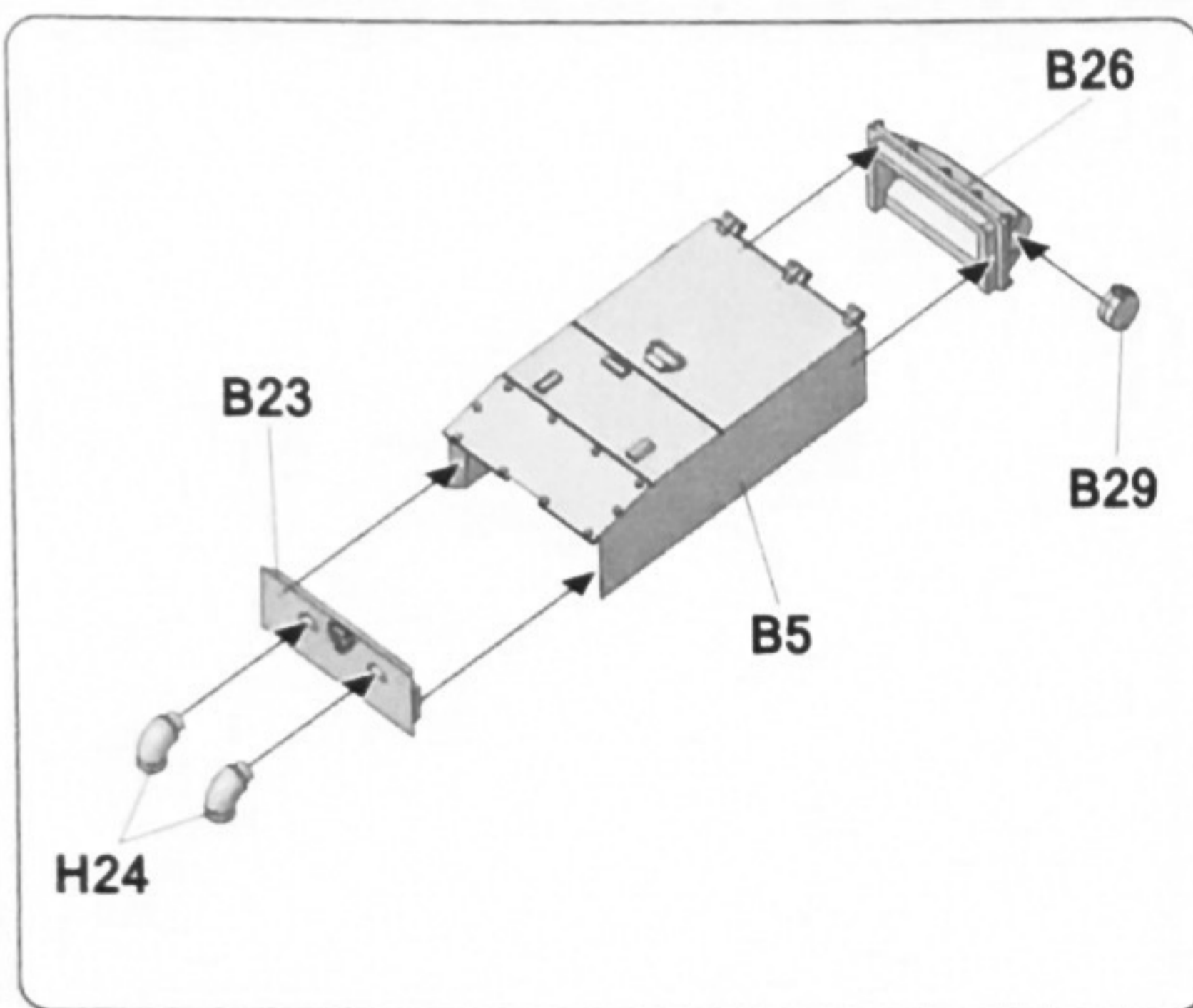
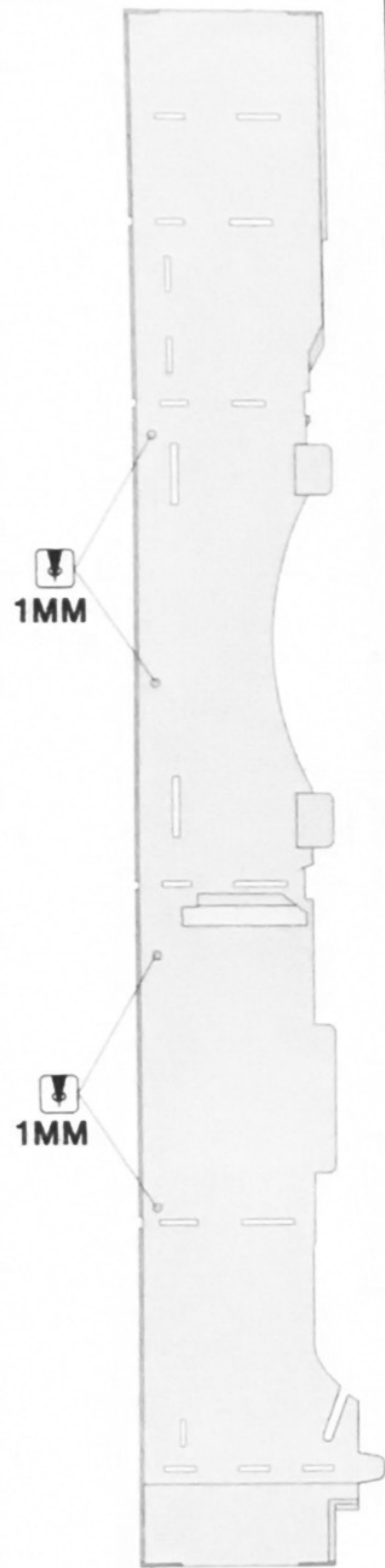


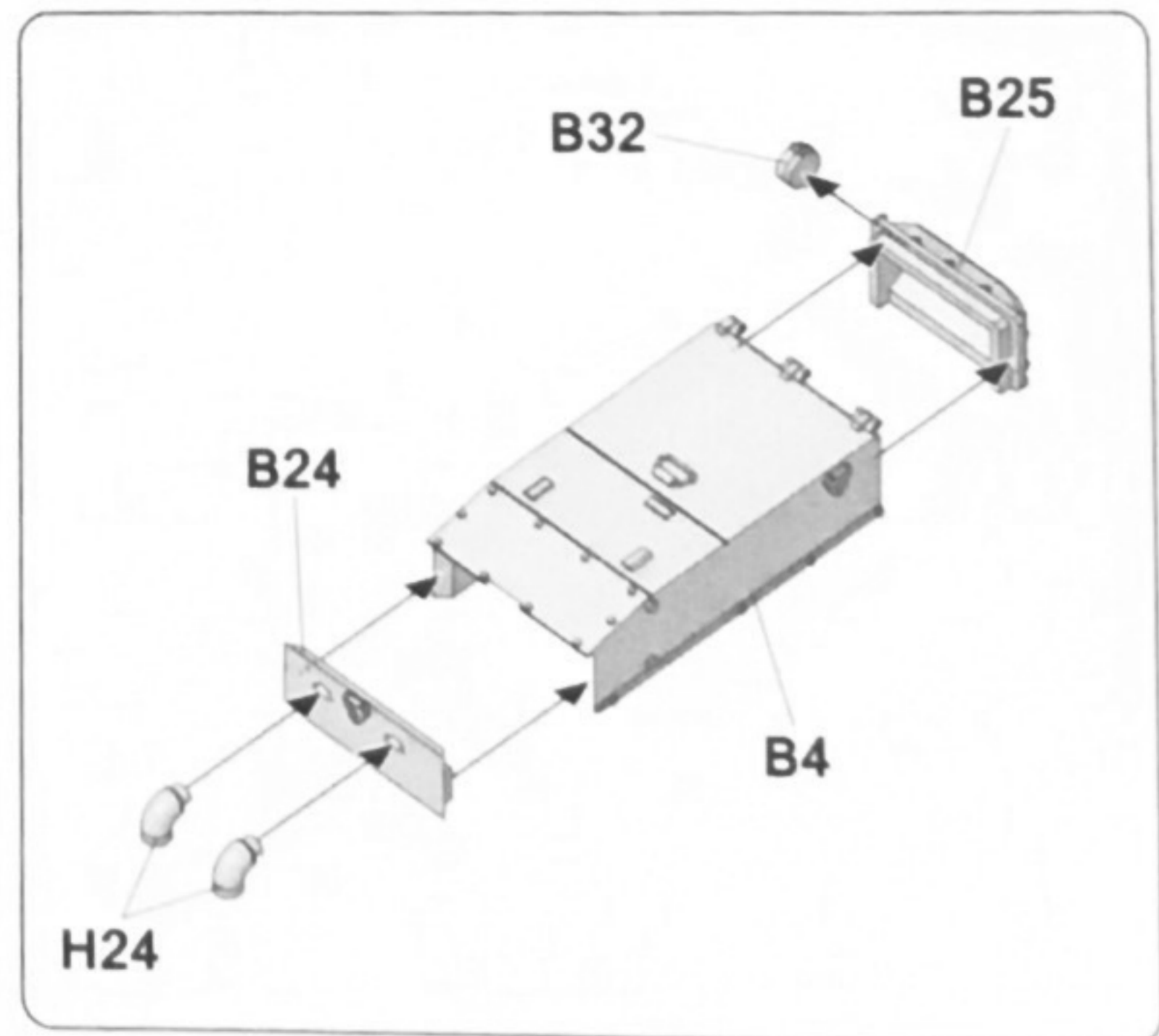
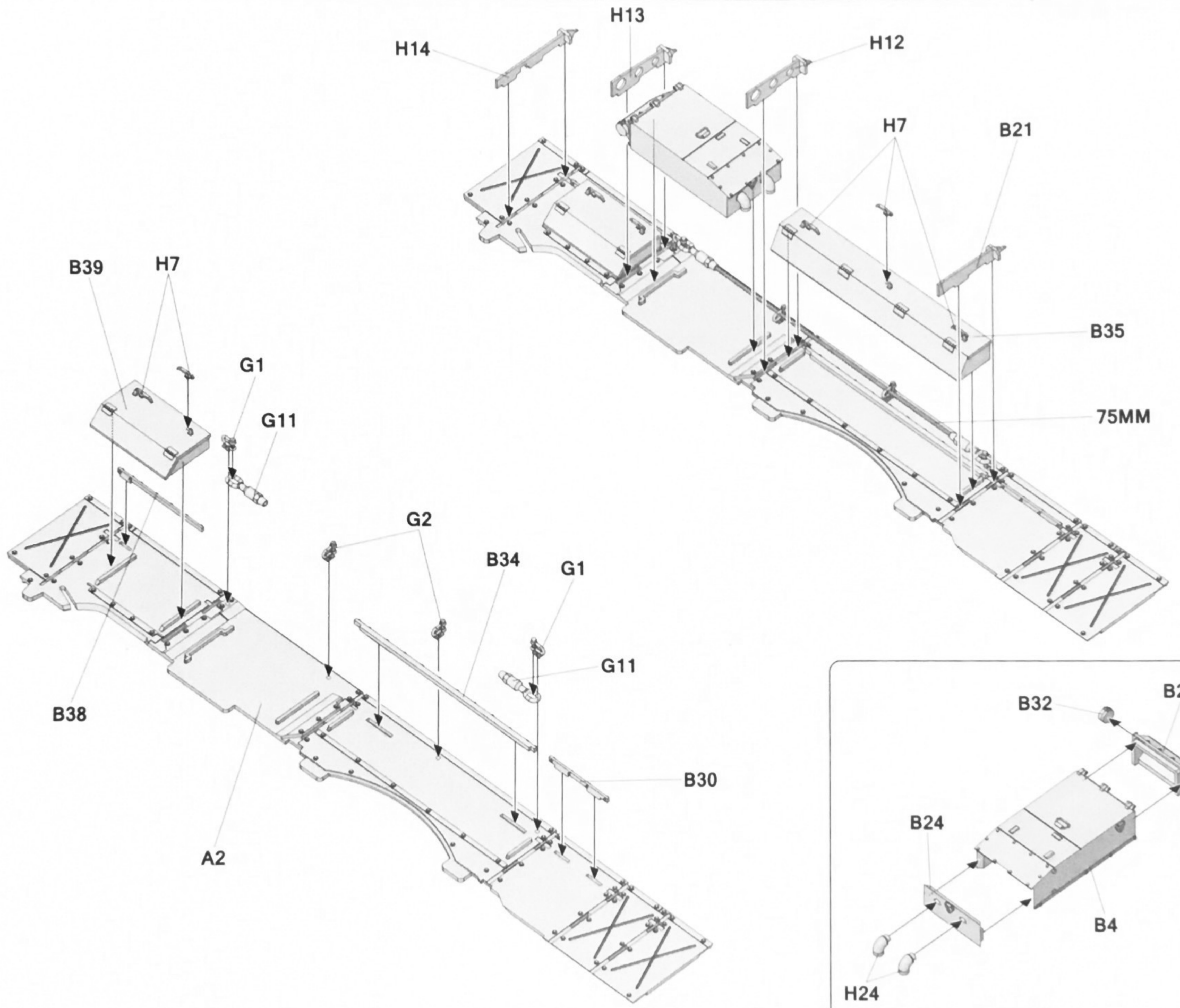
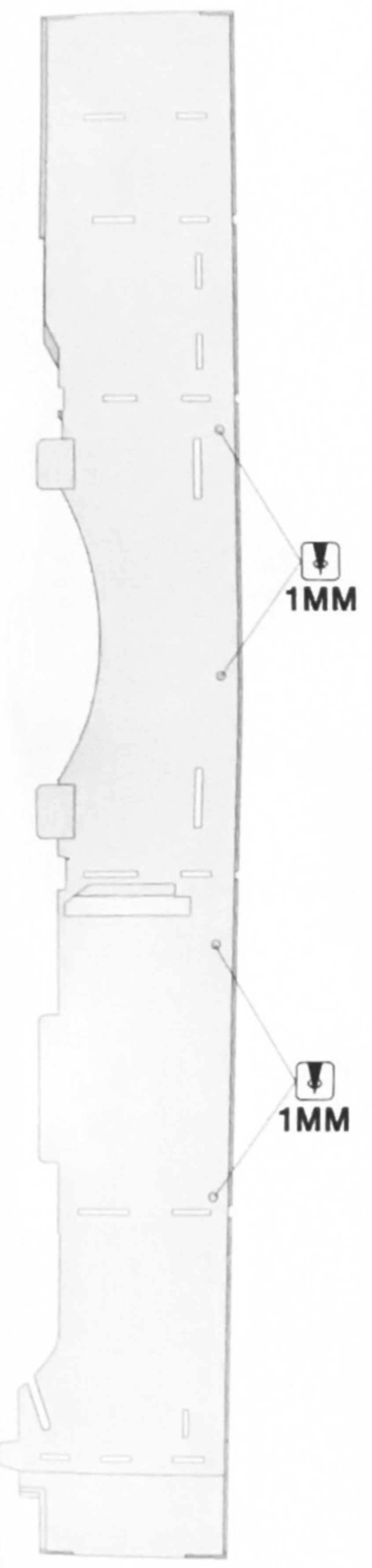
11

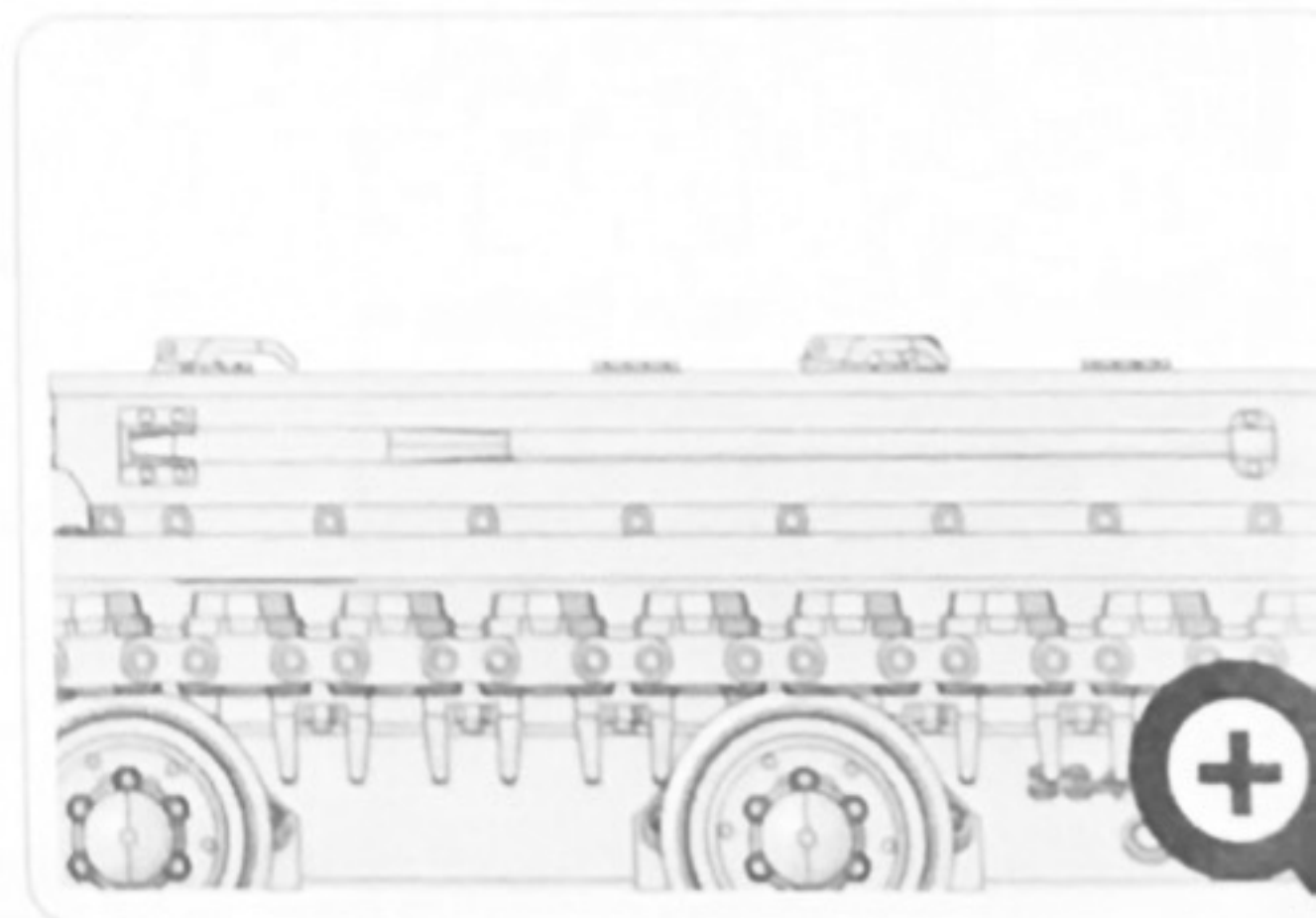
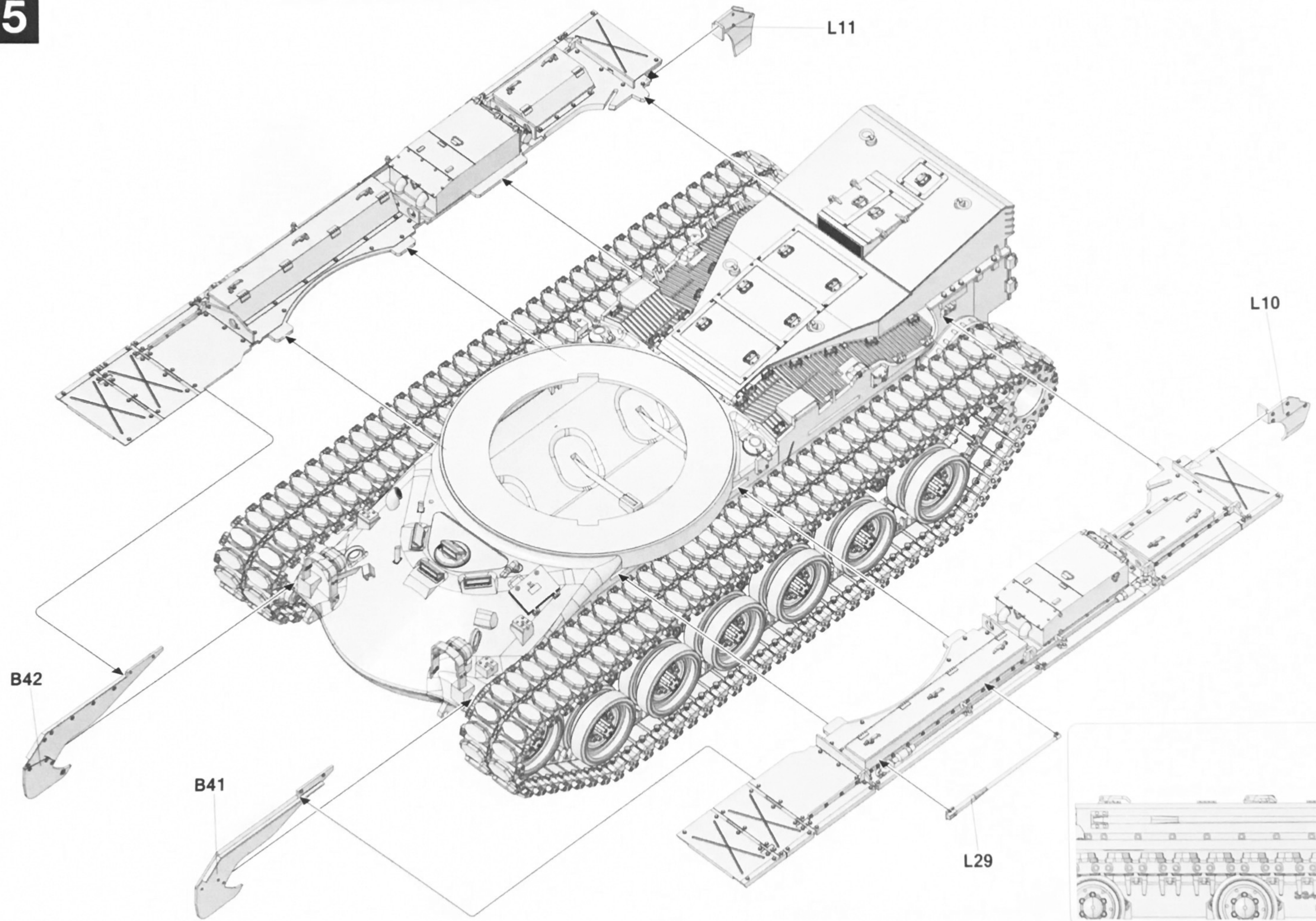


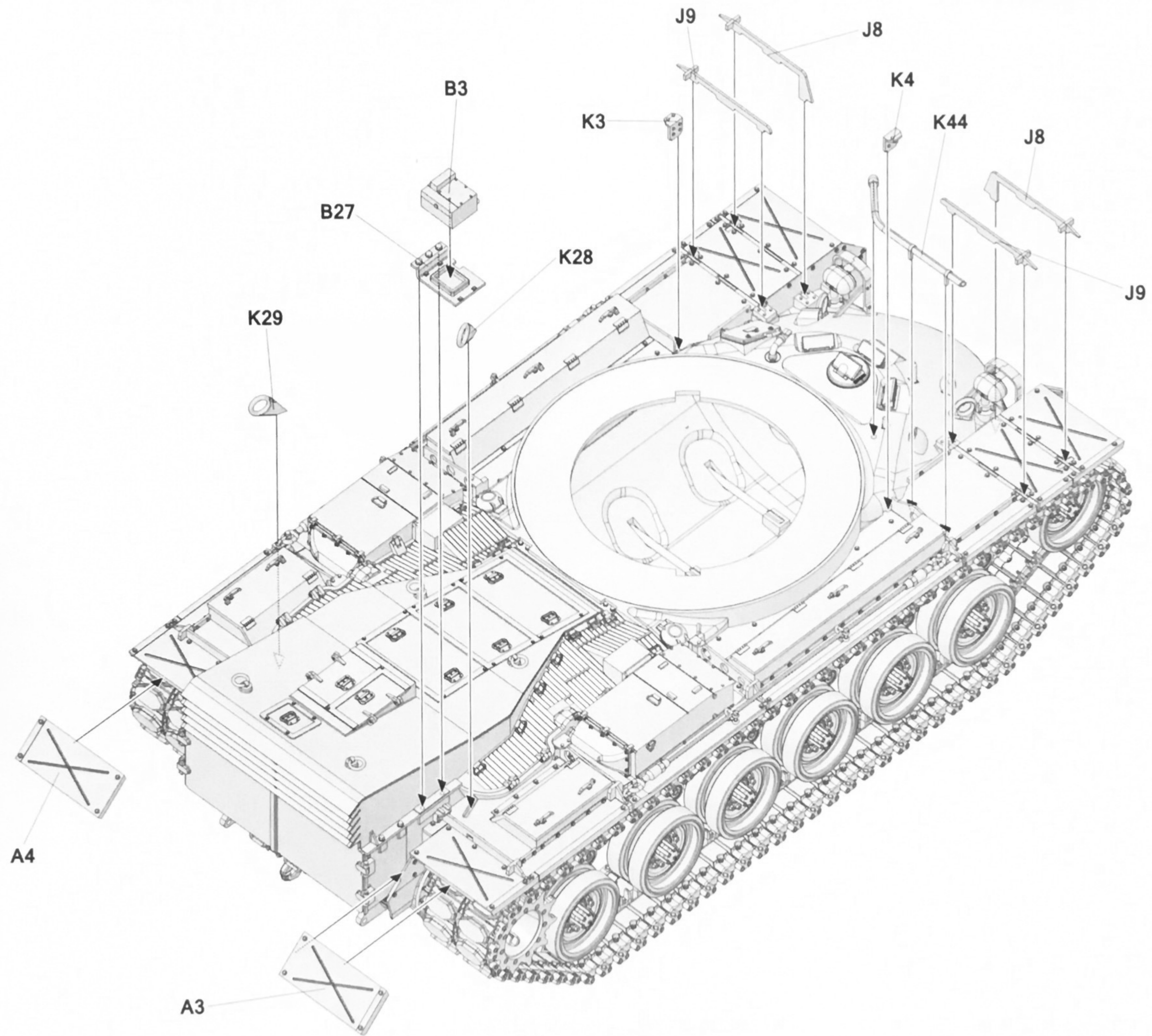
78 for one side

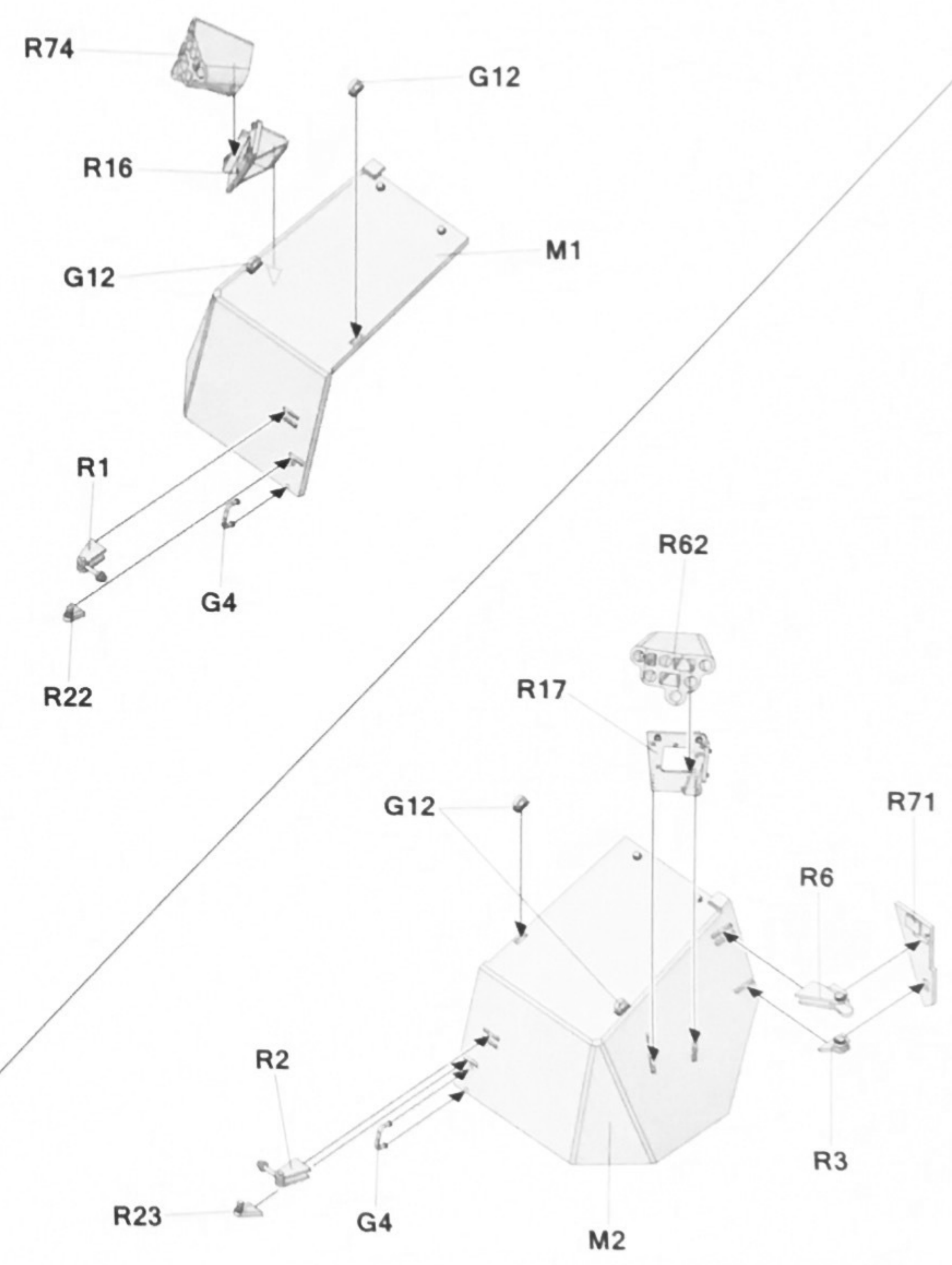
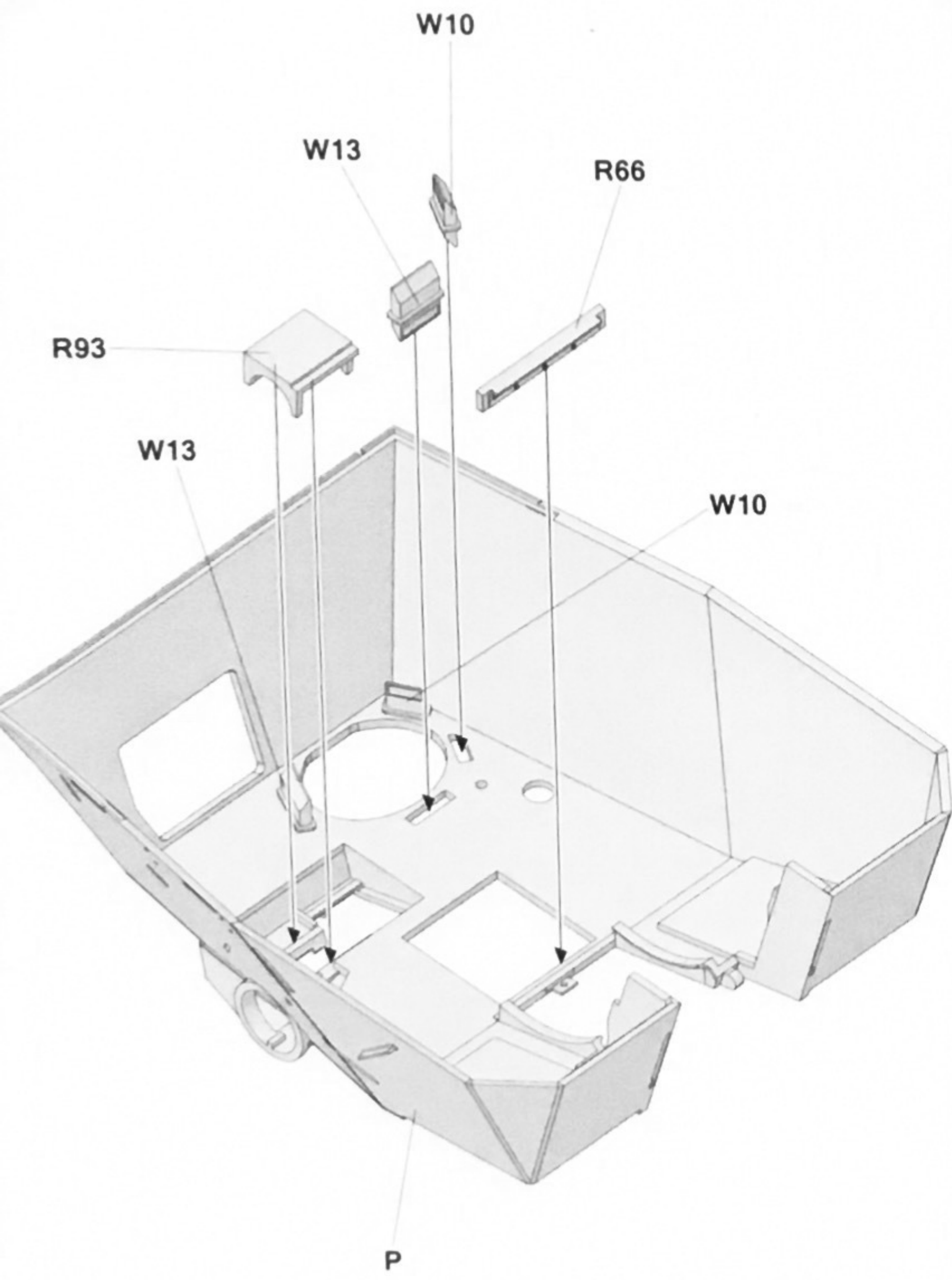


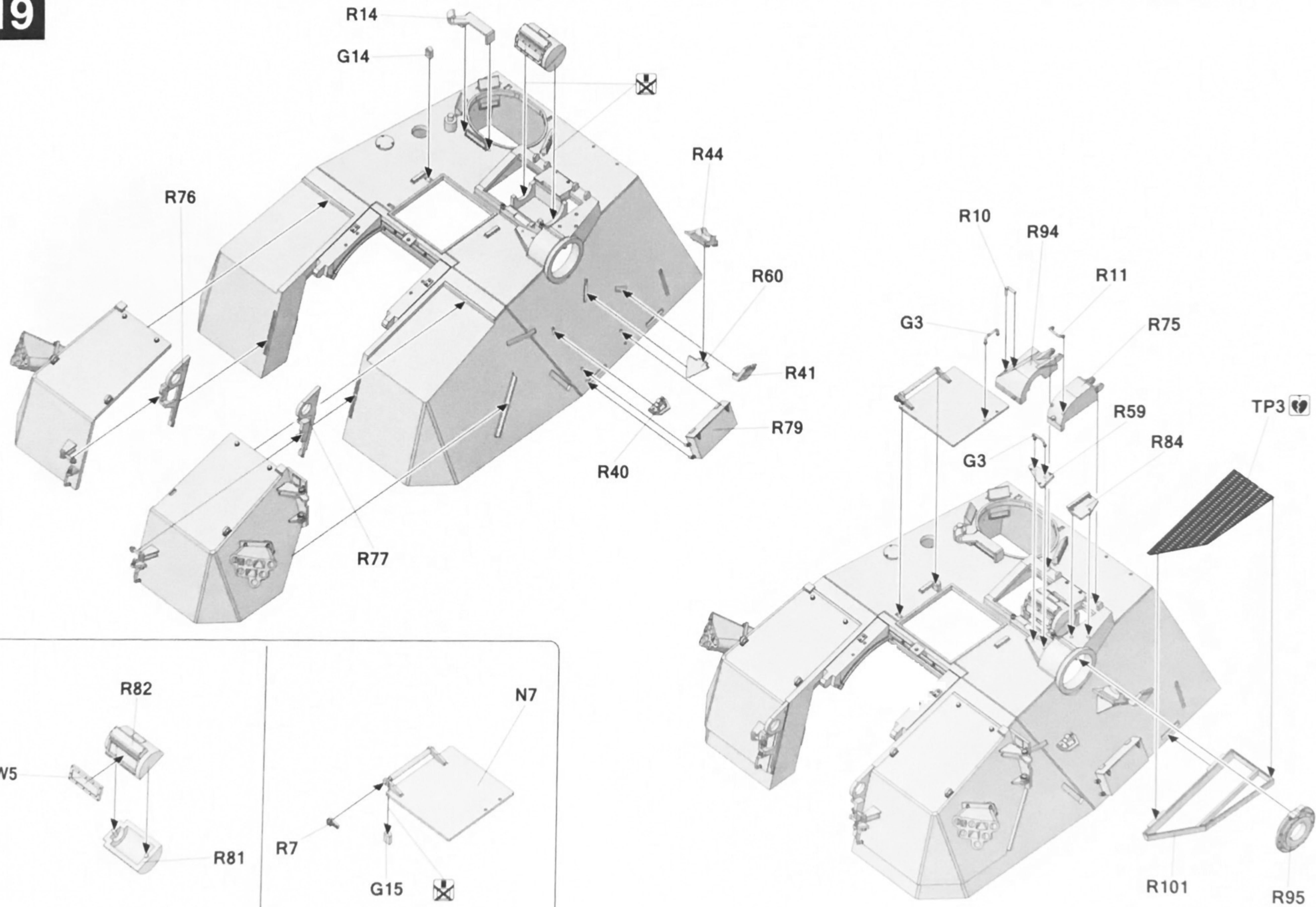




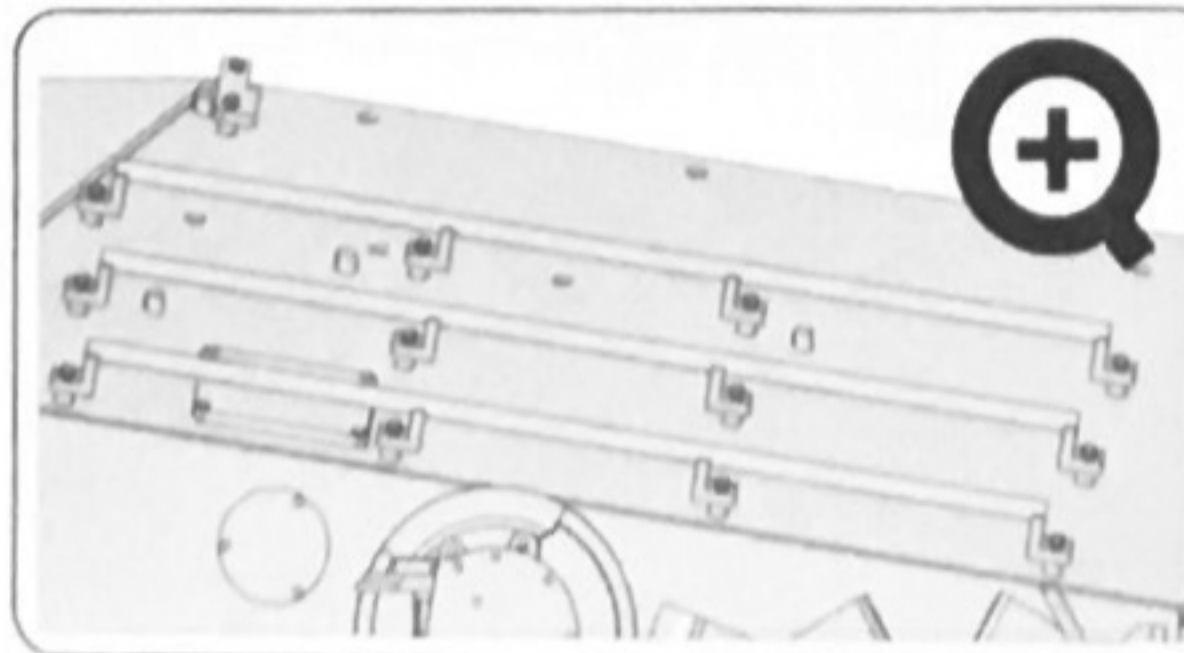
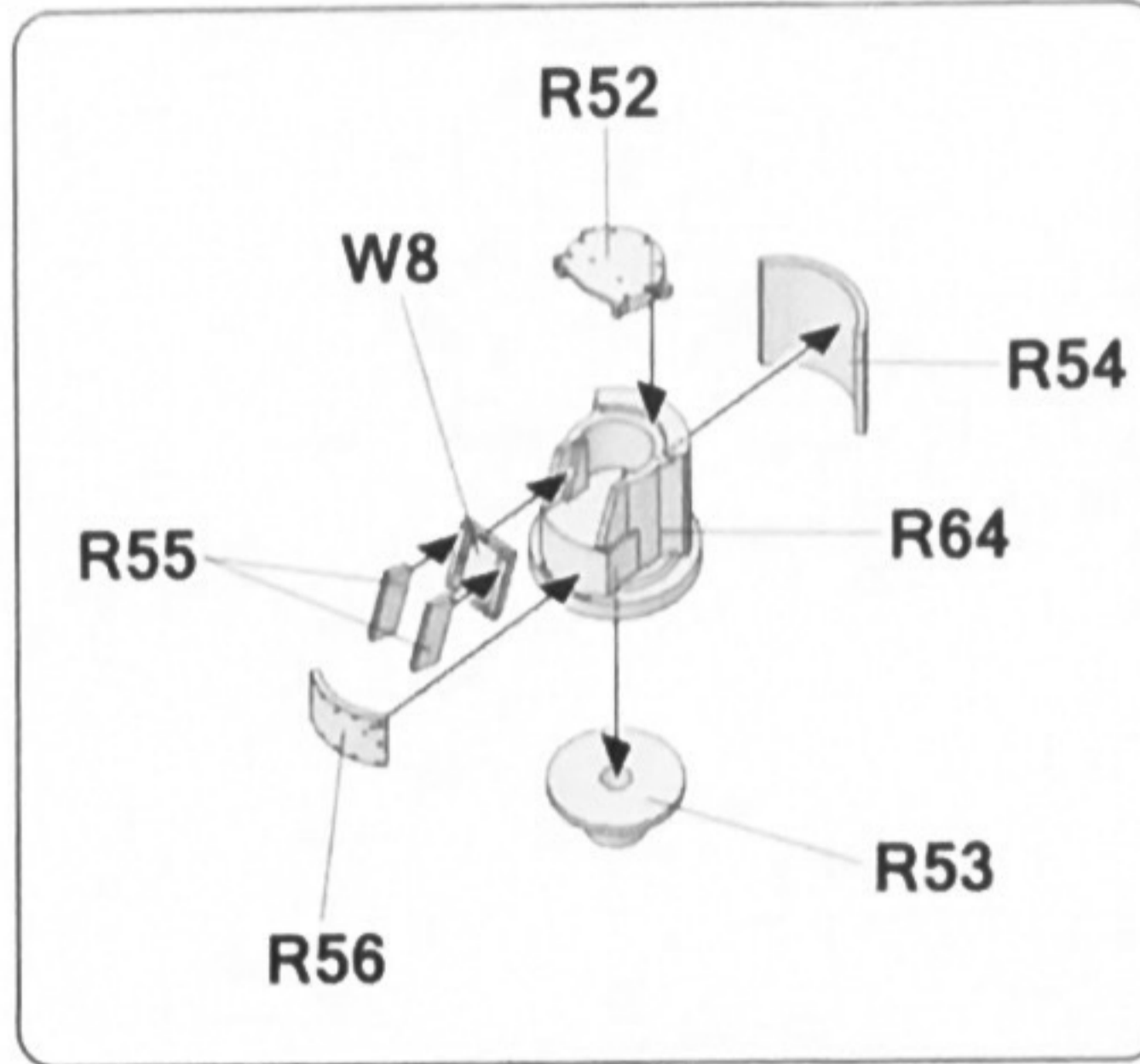
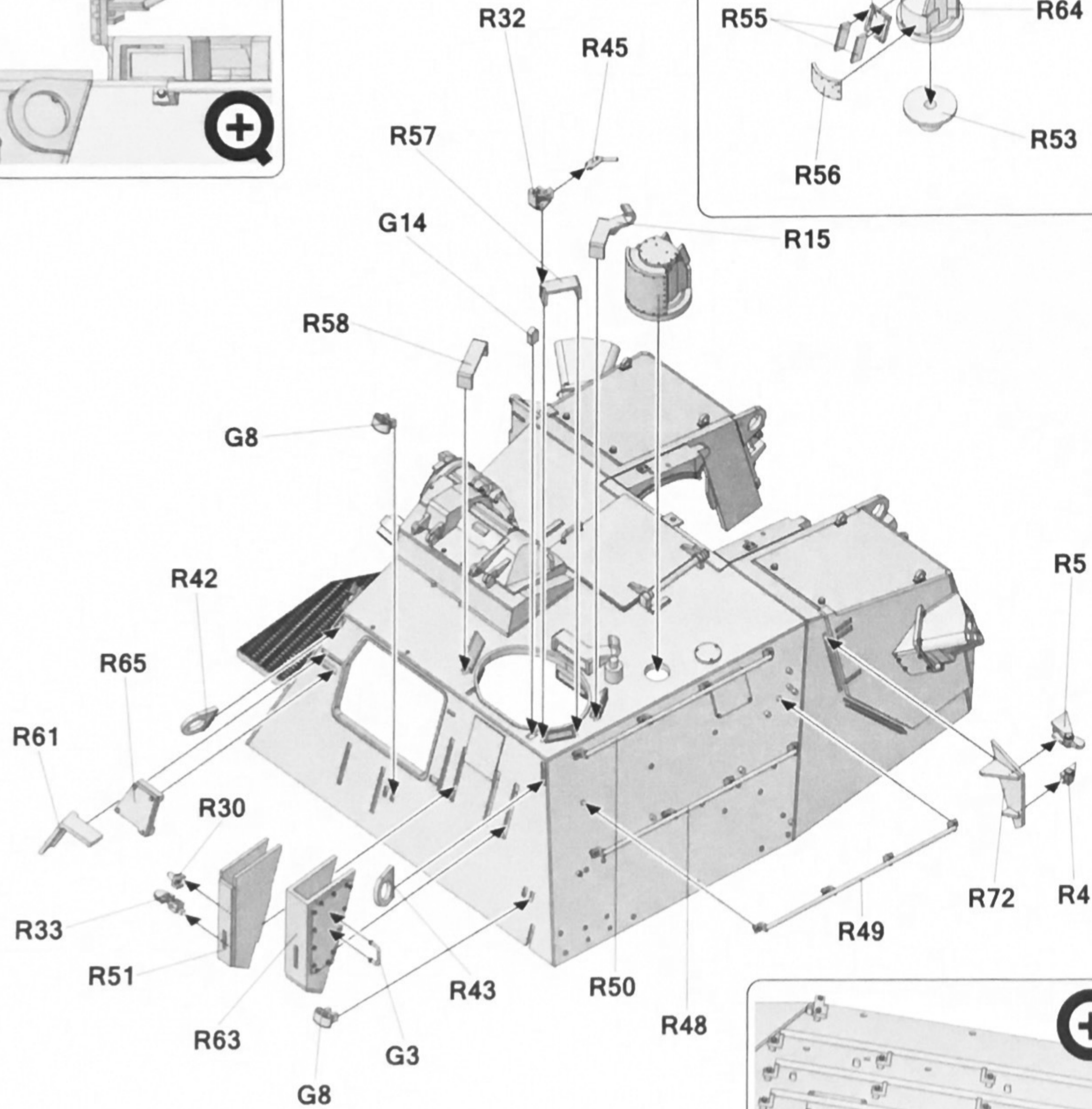
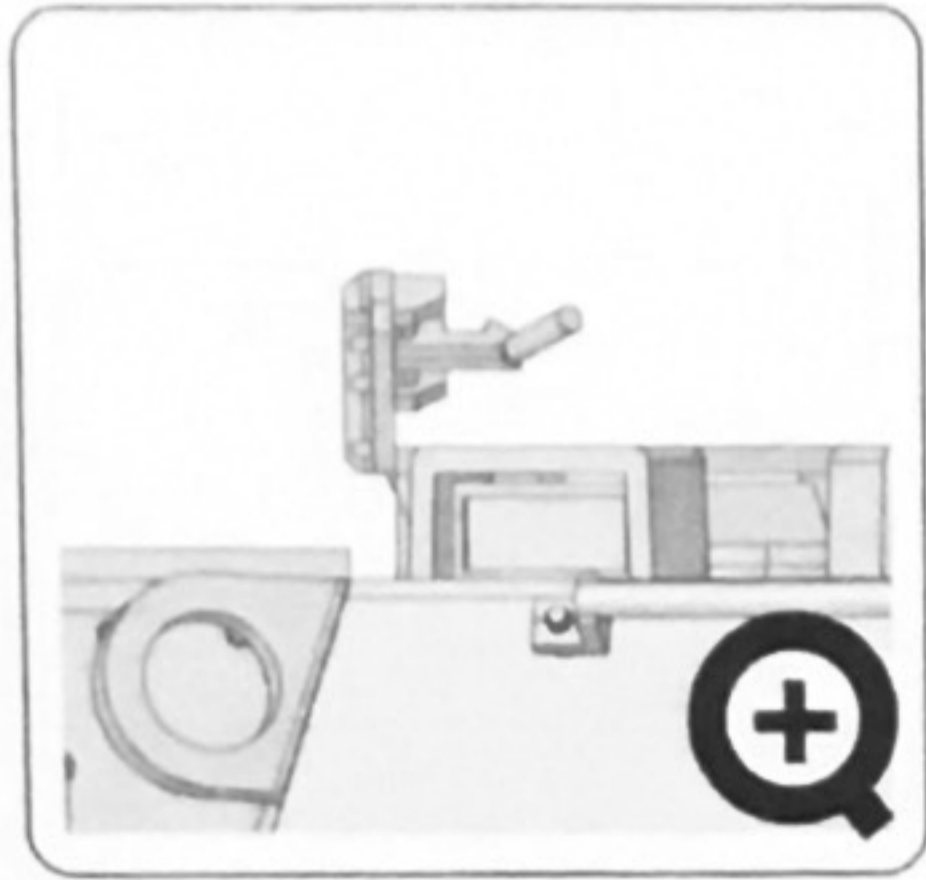




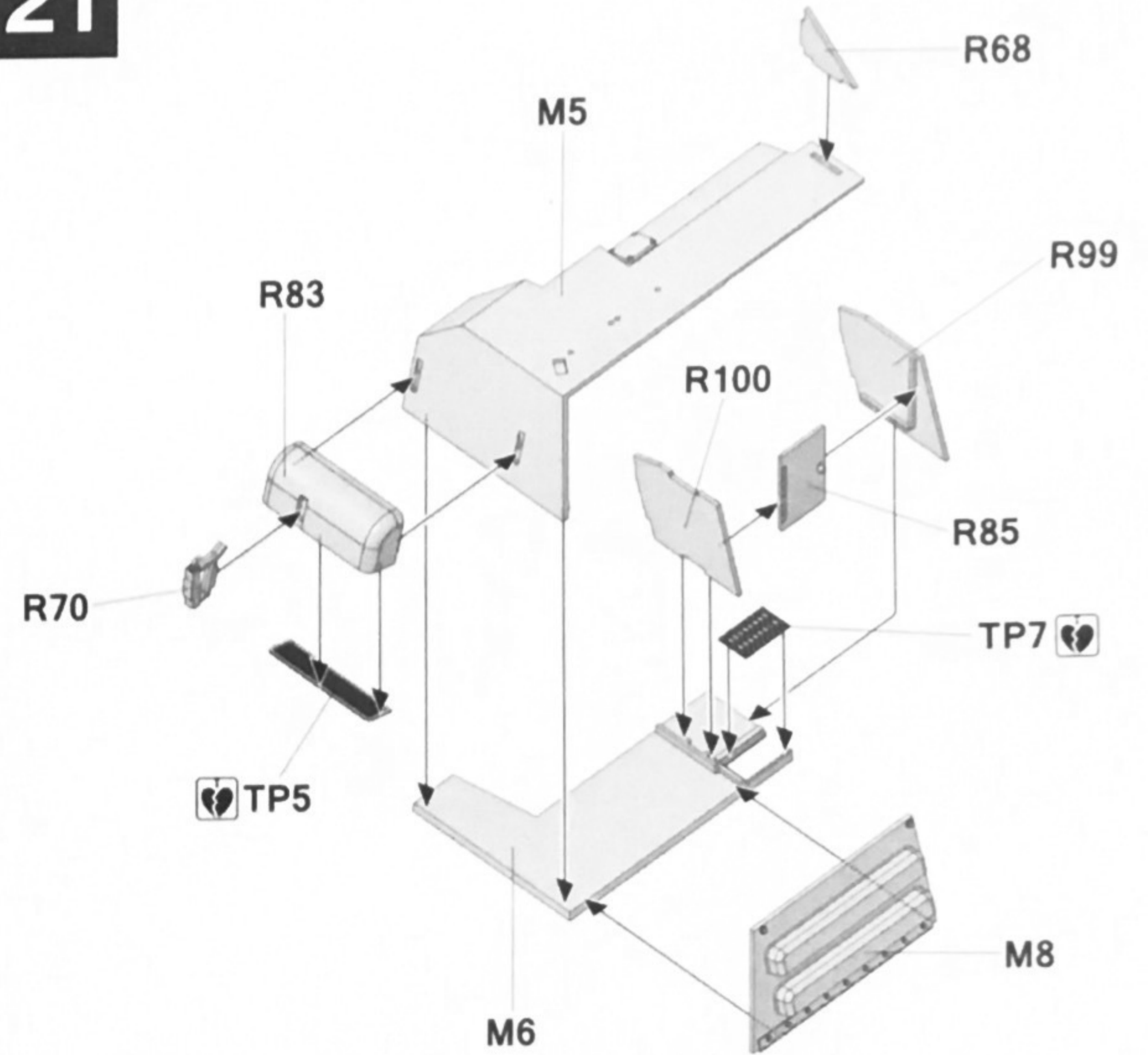




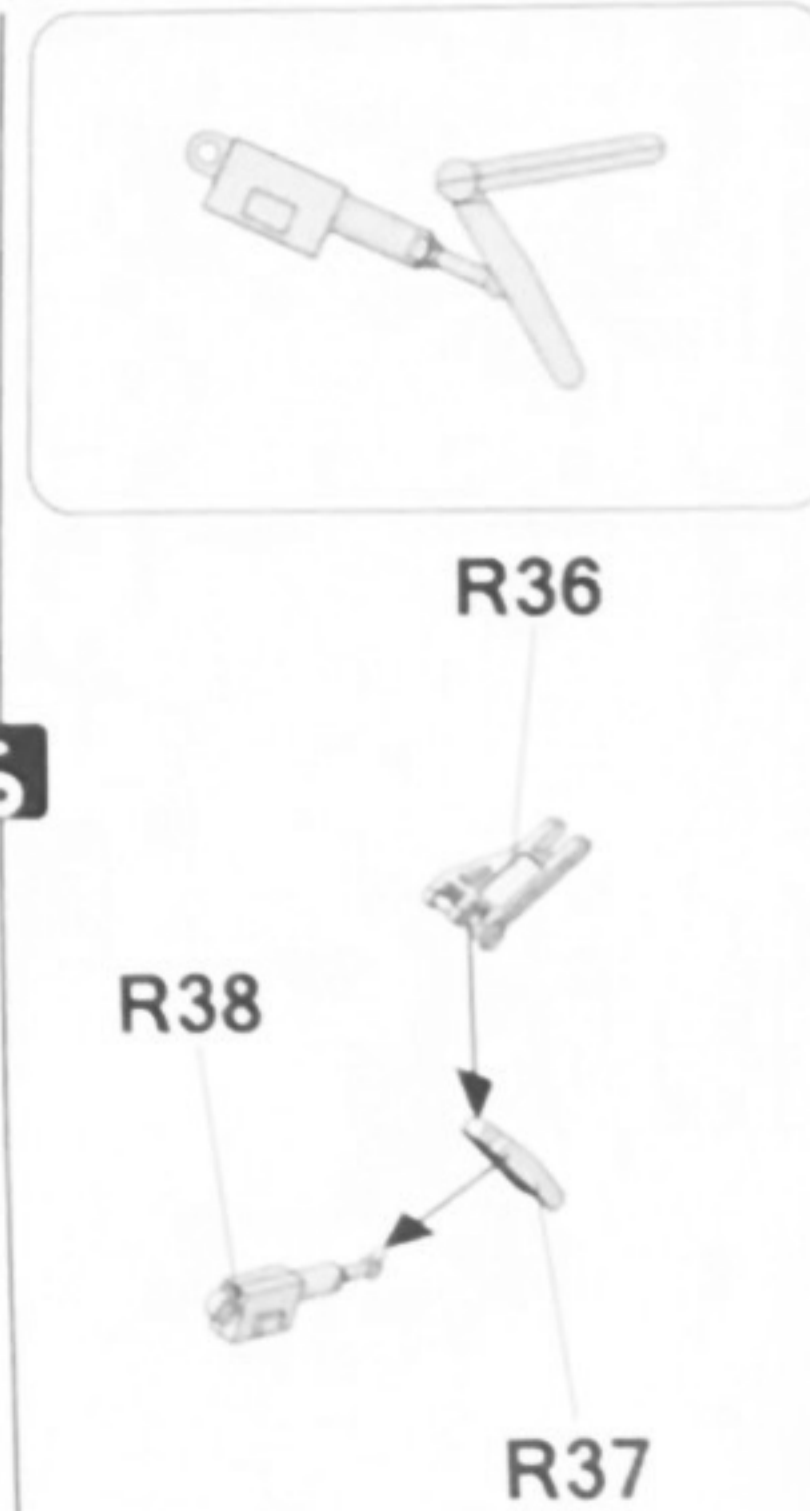
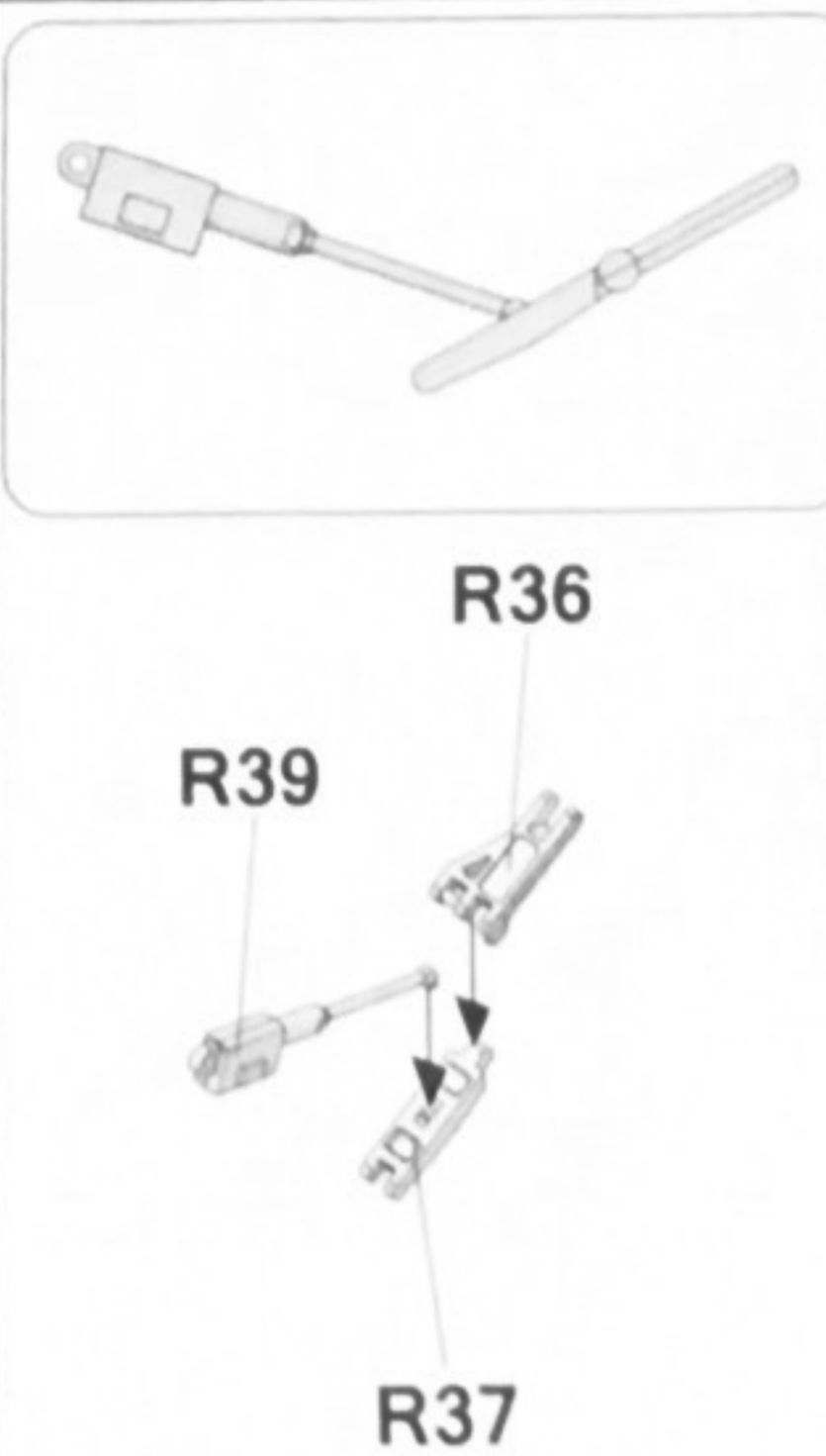
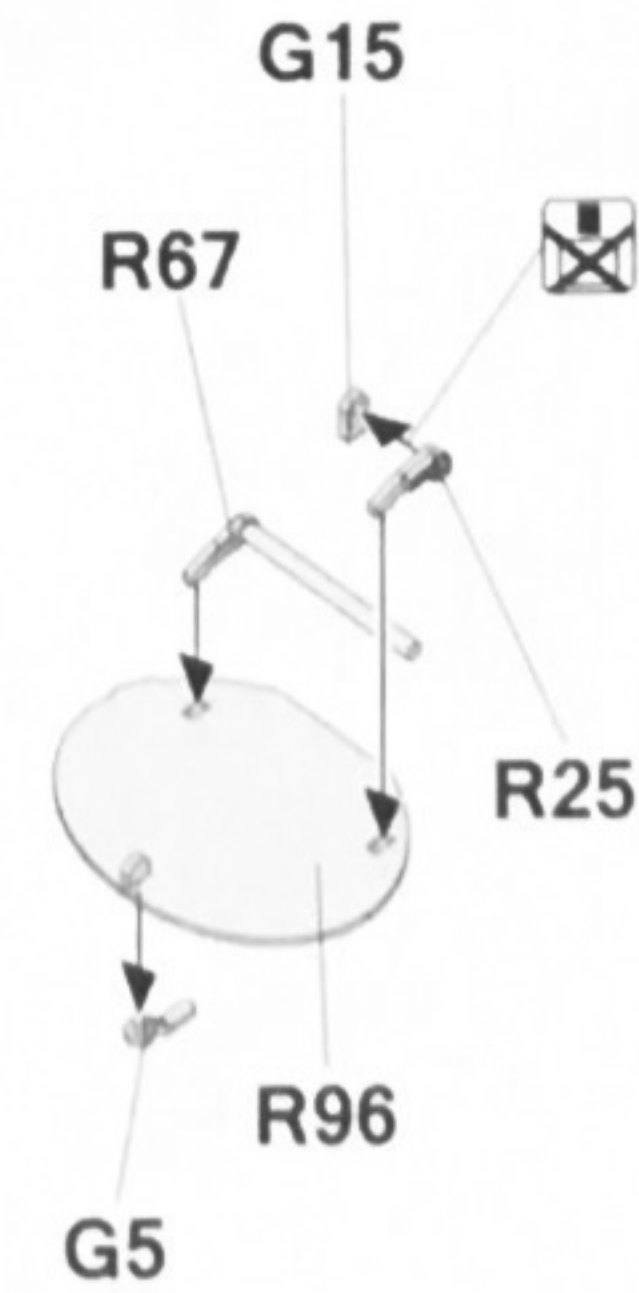
20

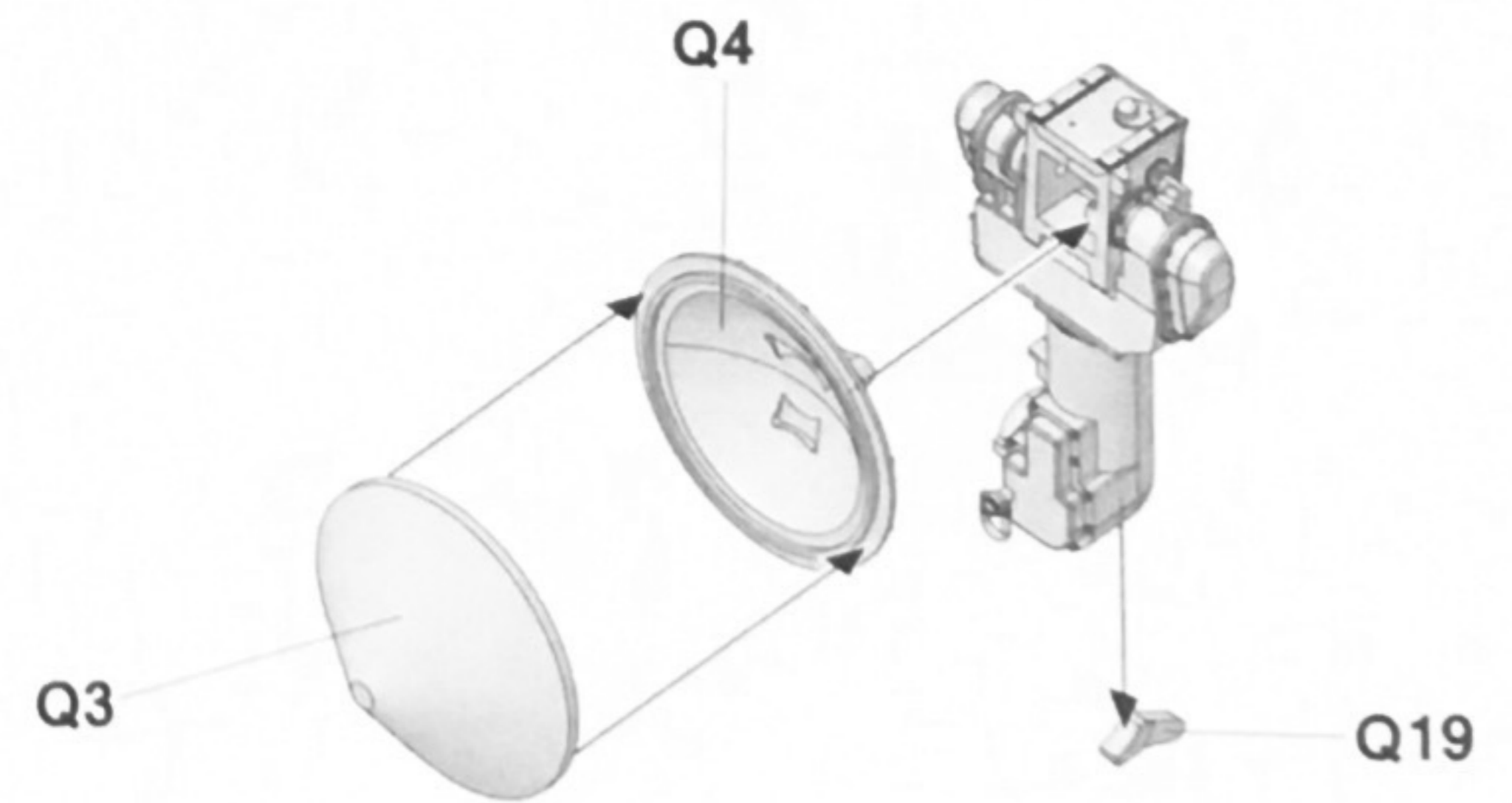
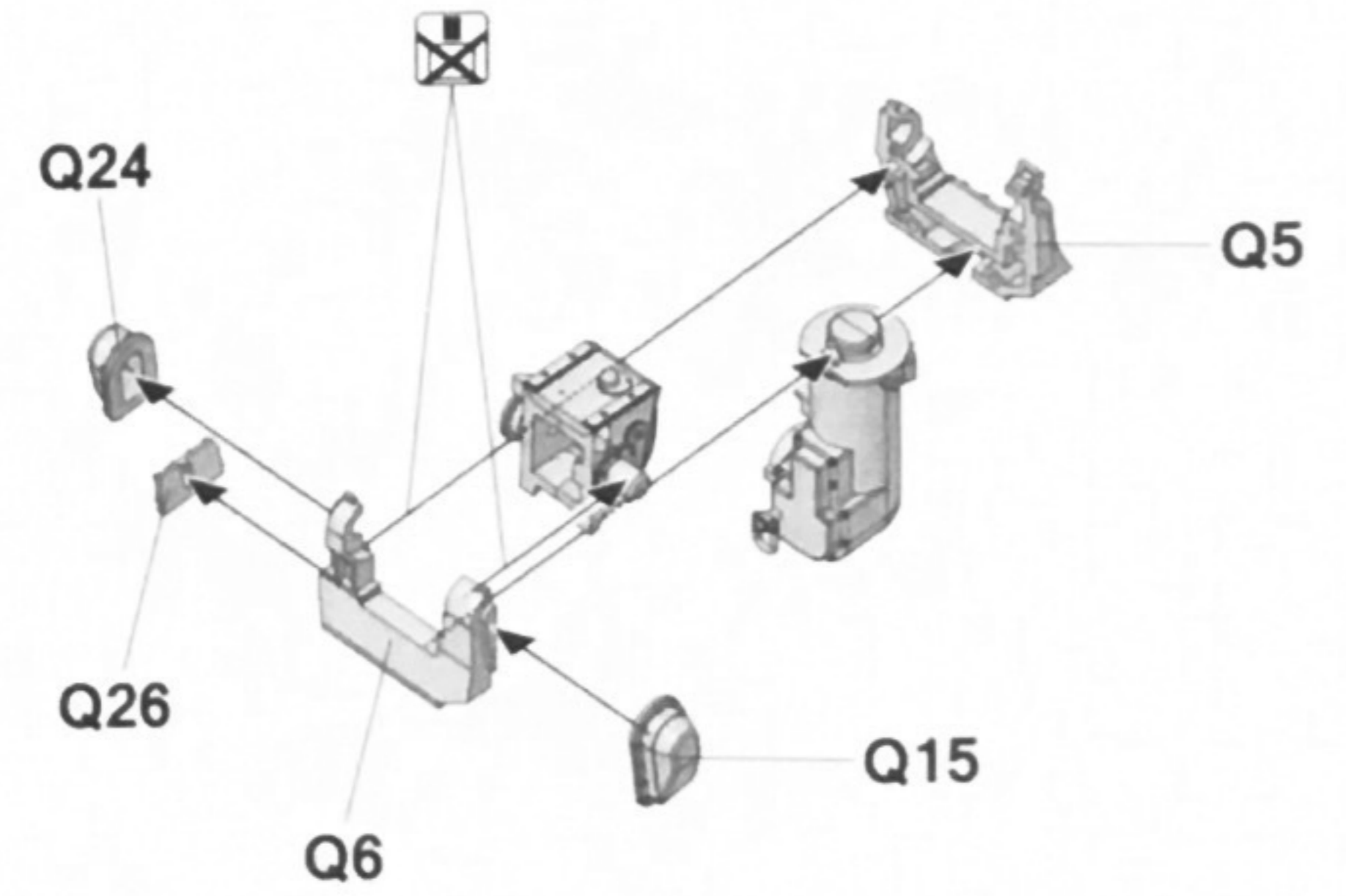
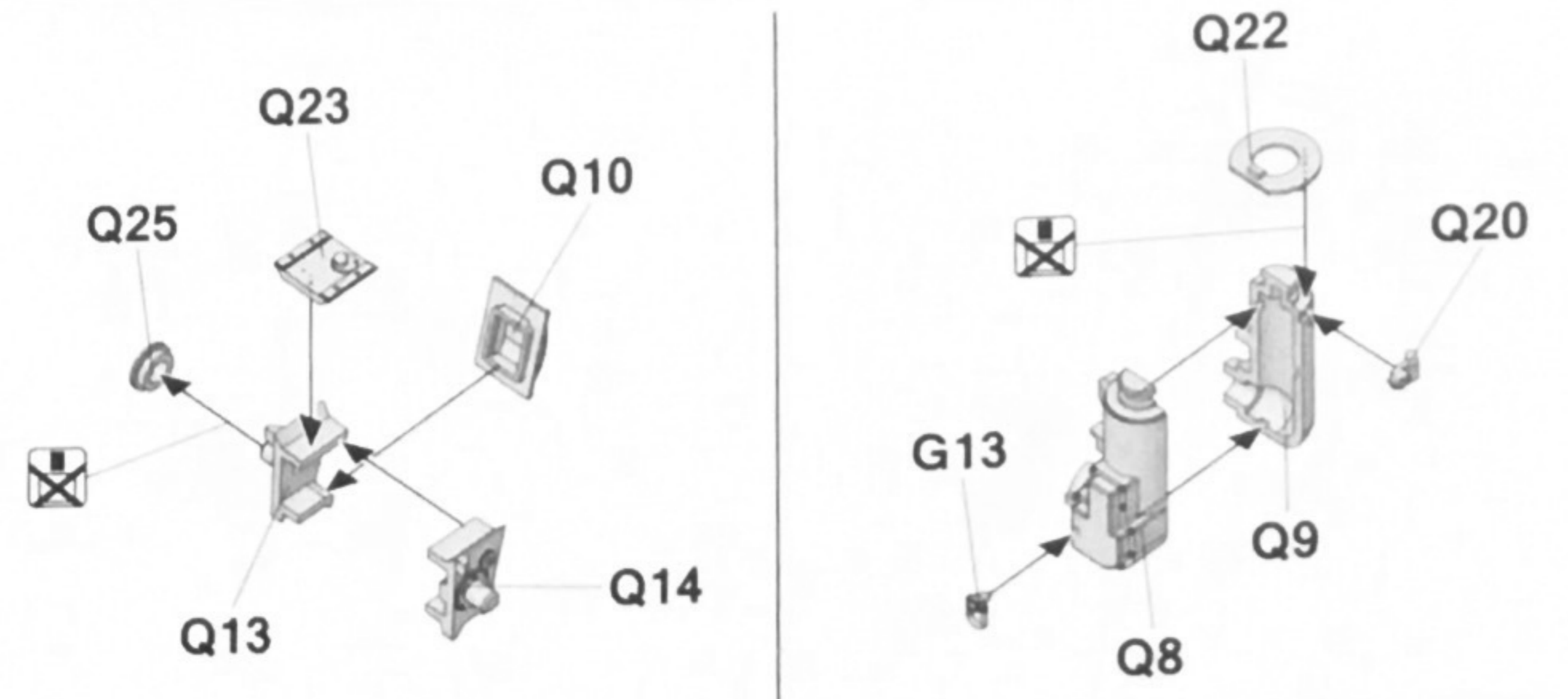
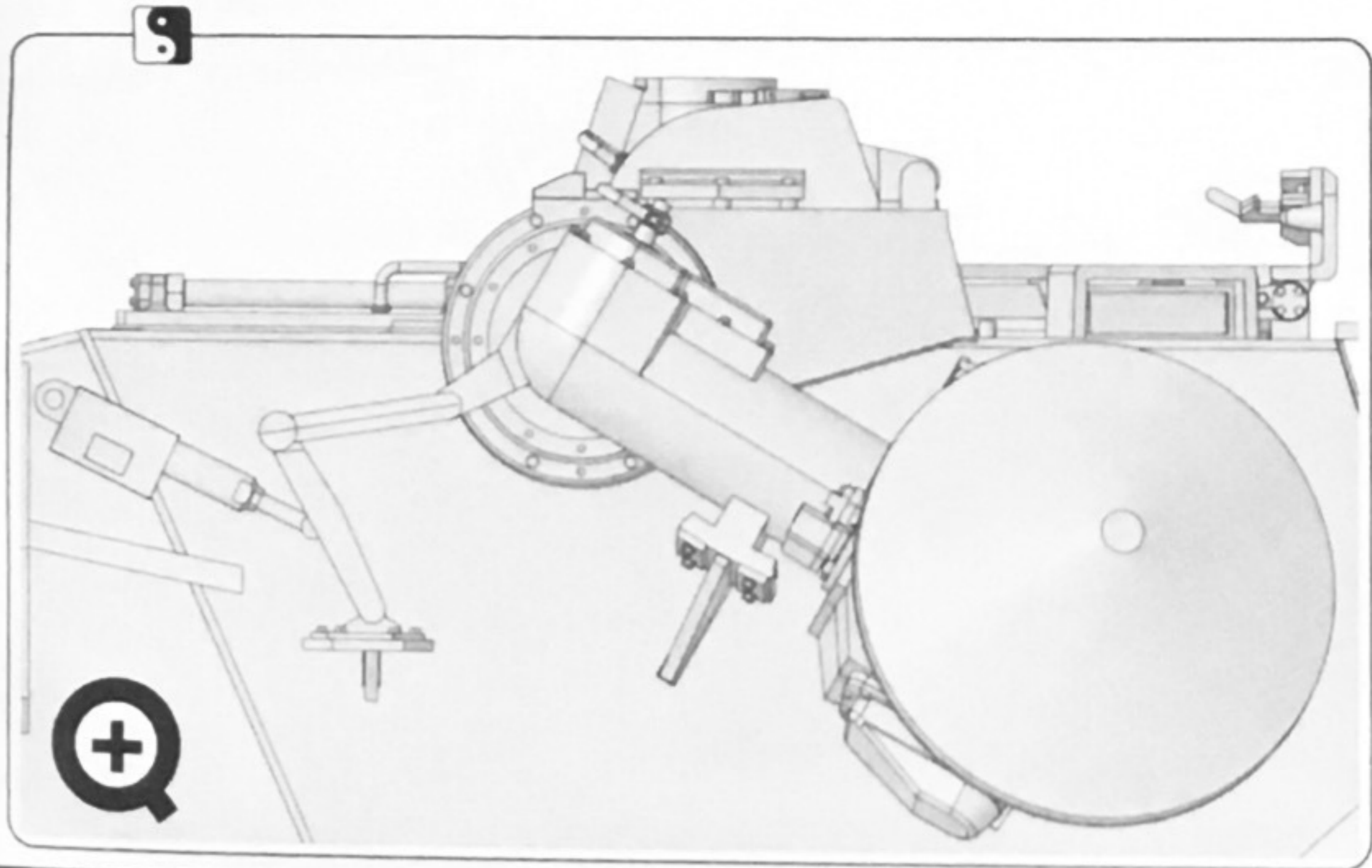
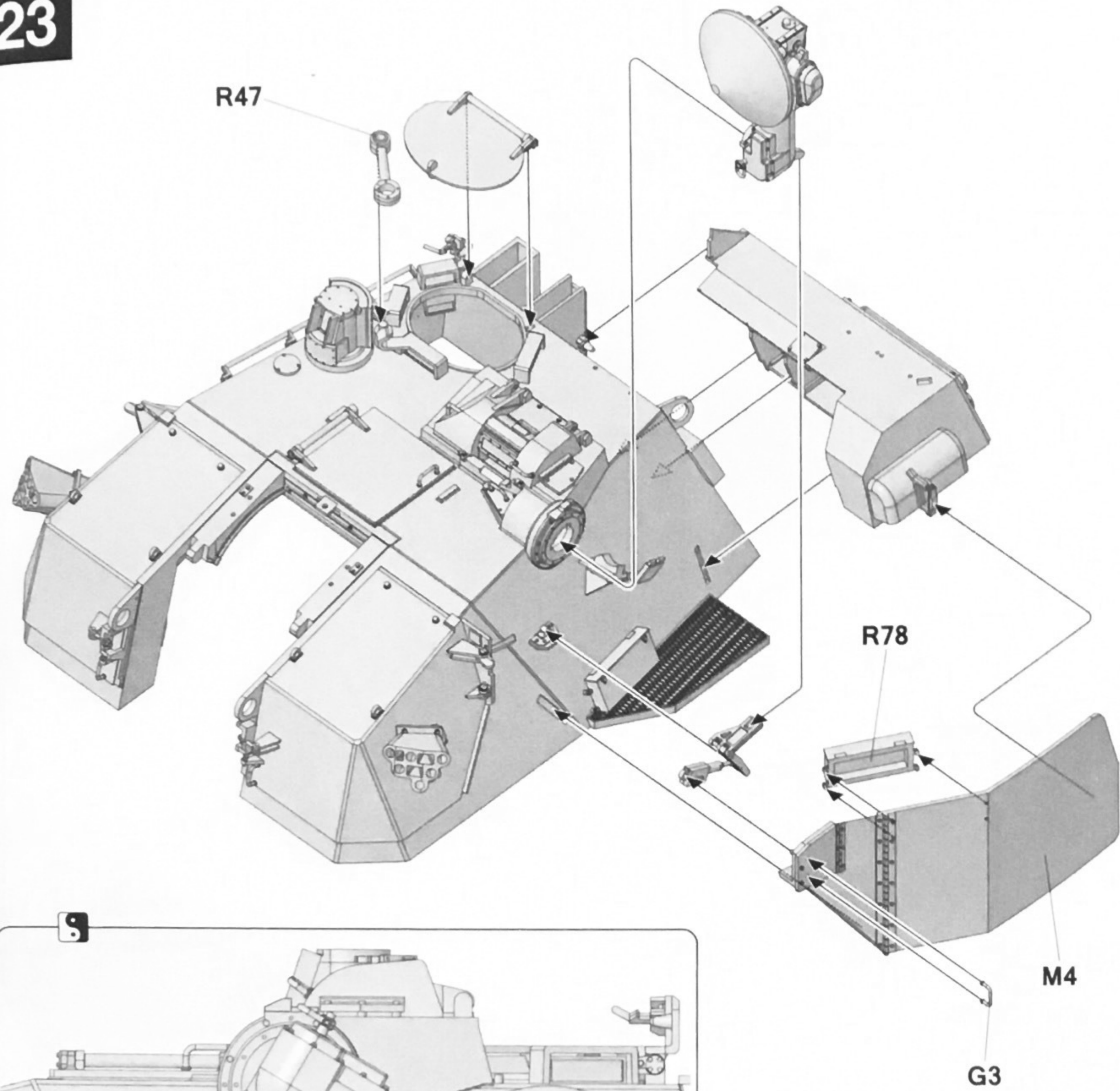


21

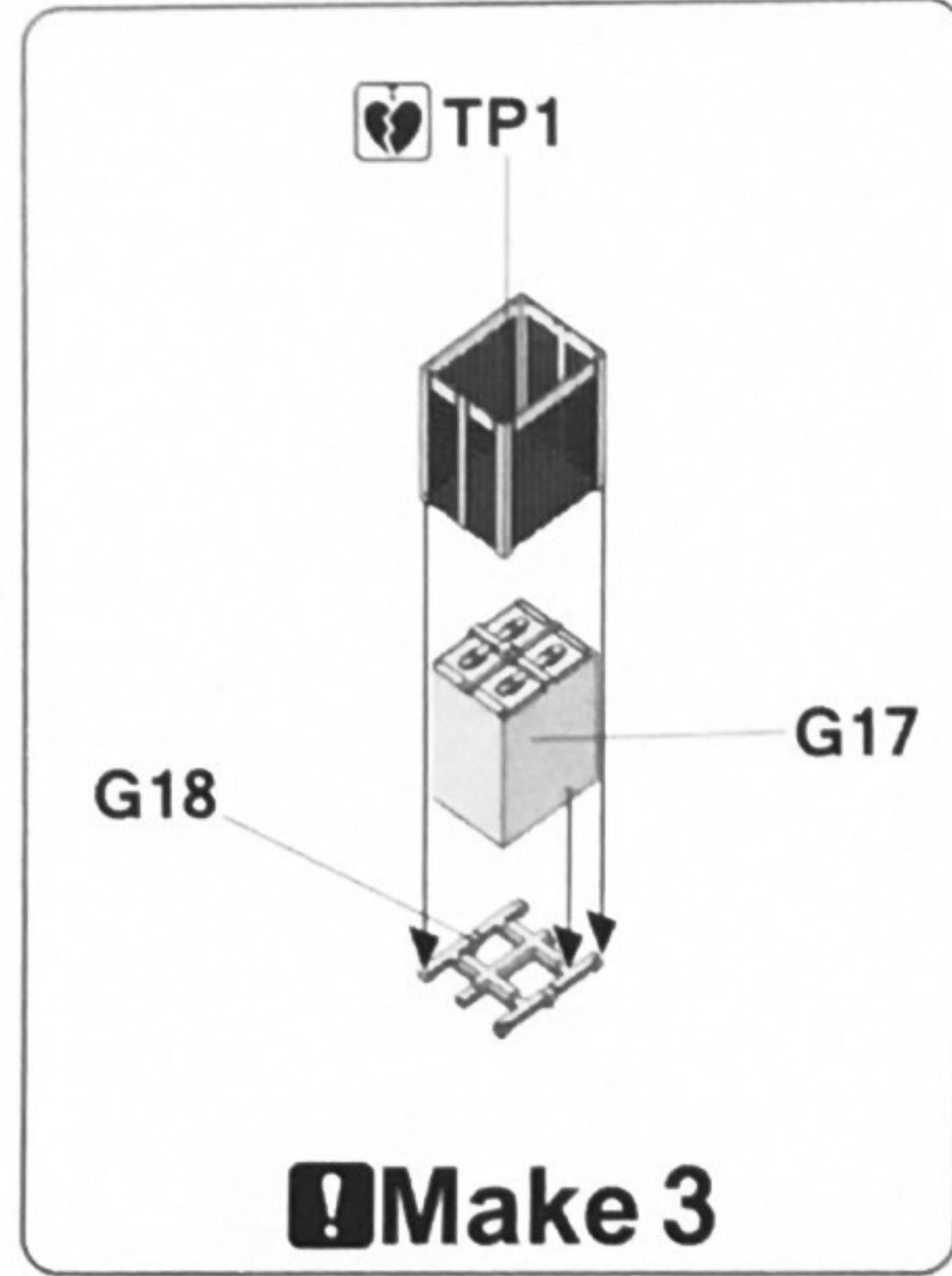
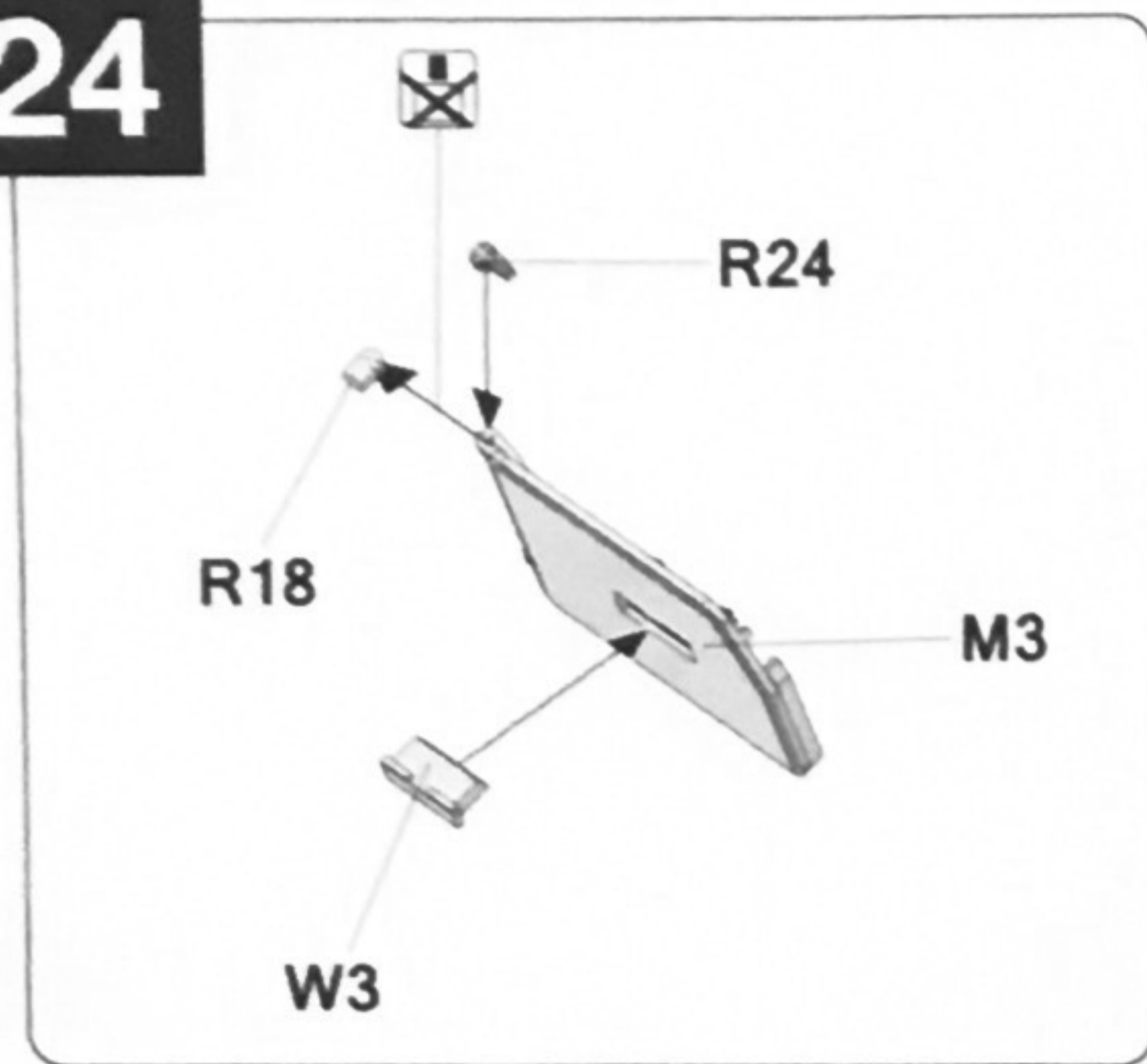


22

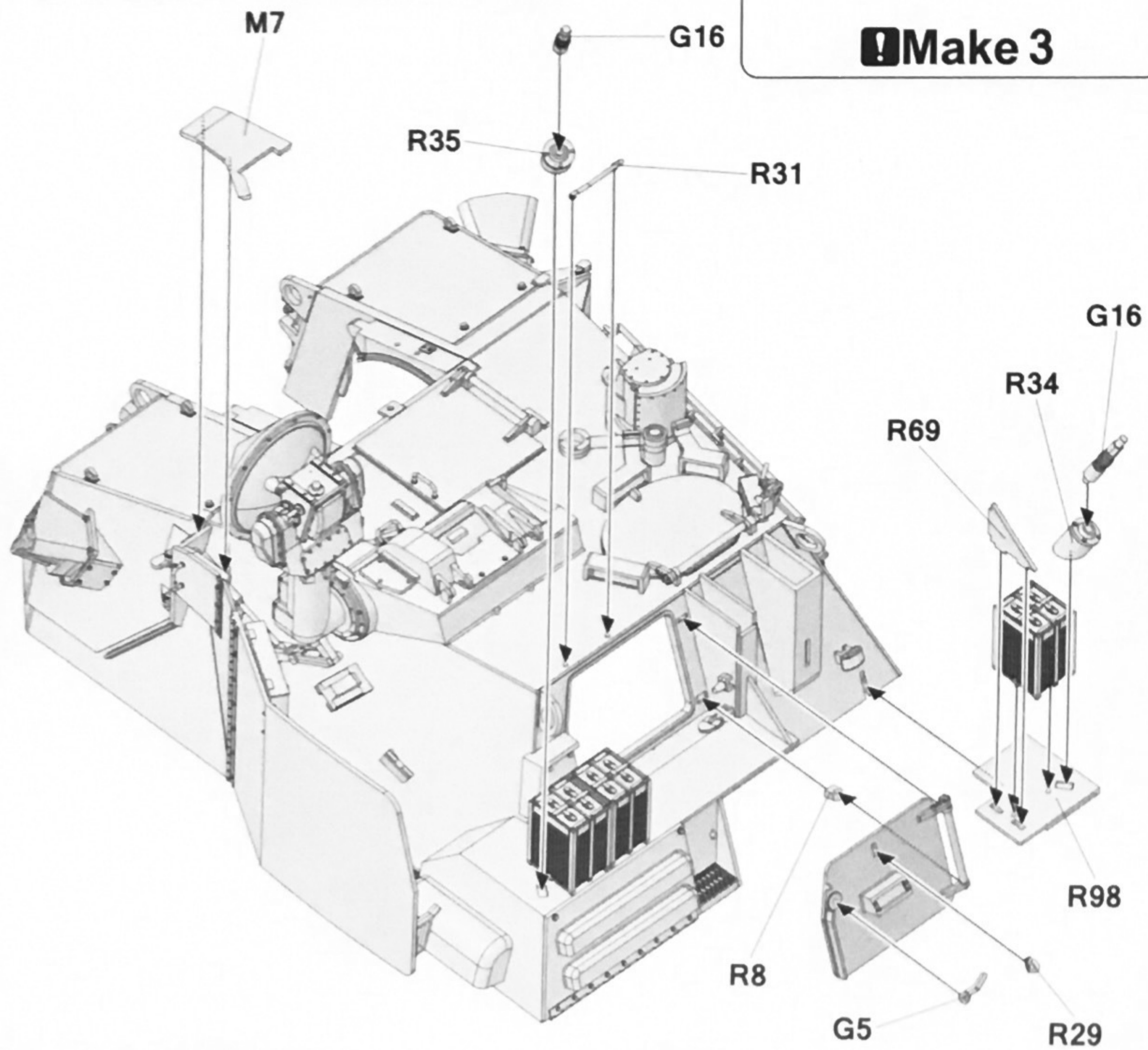




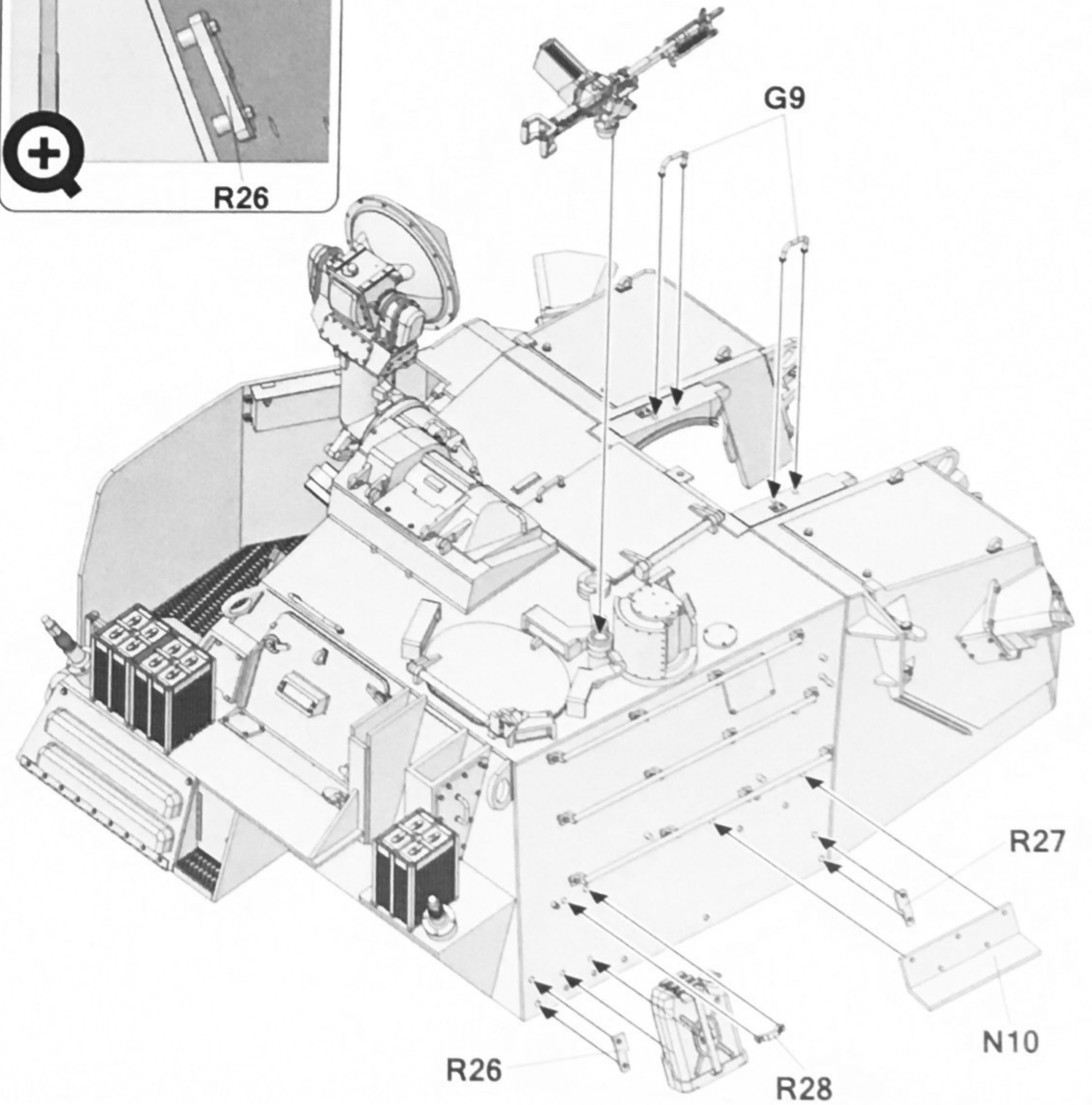
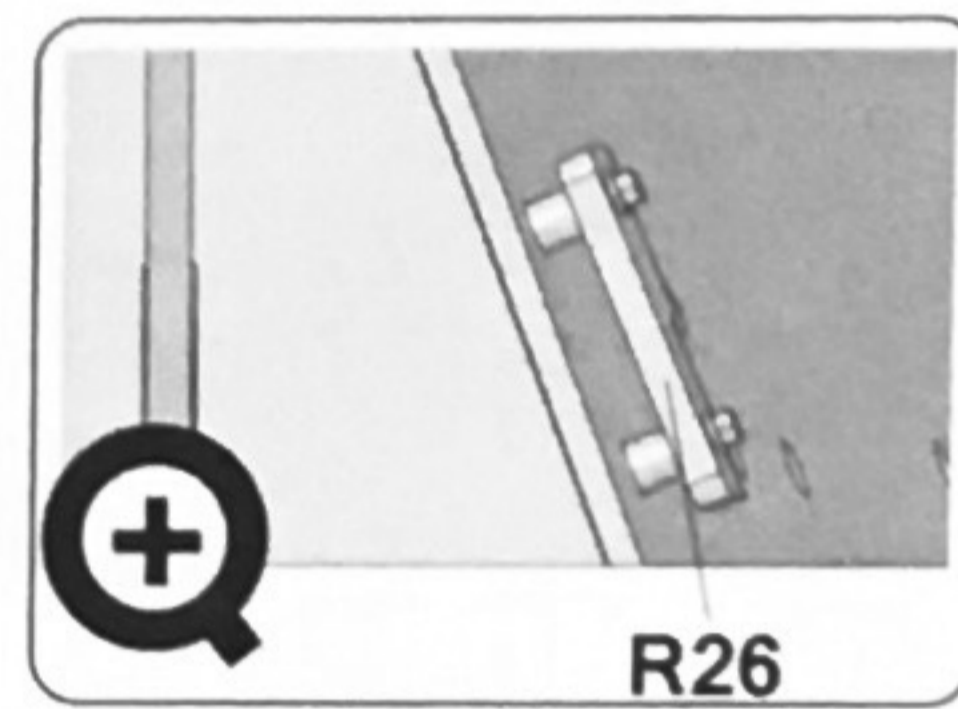
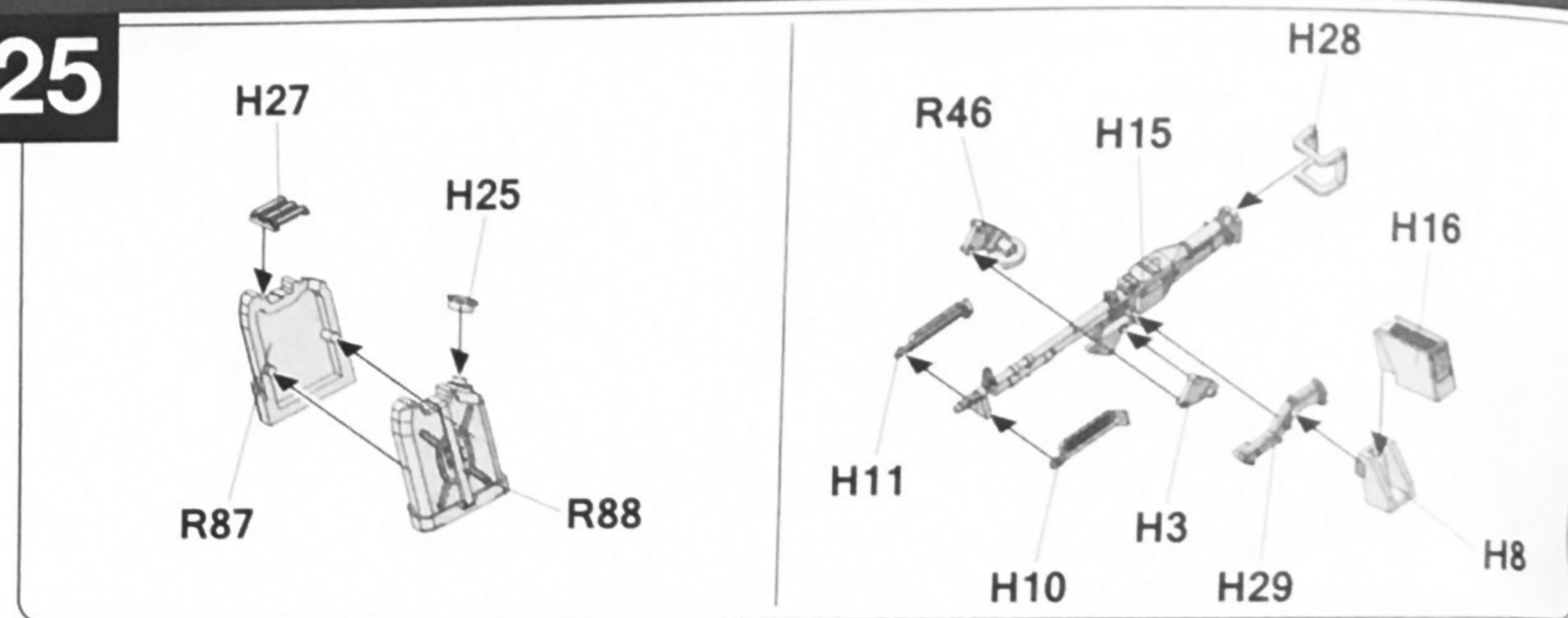
24

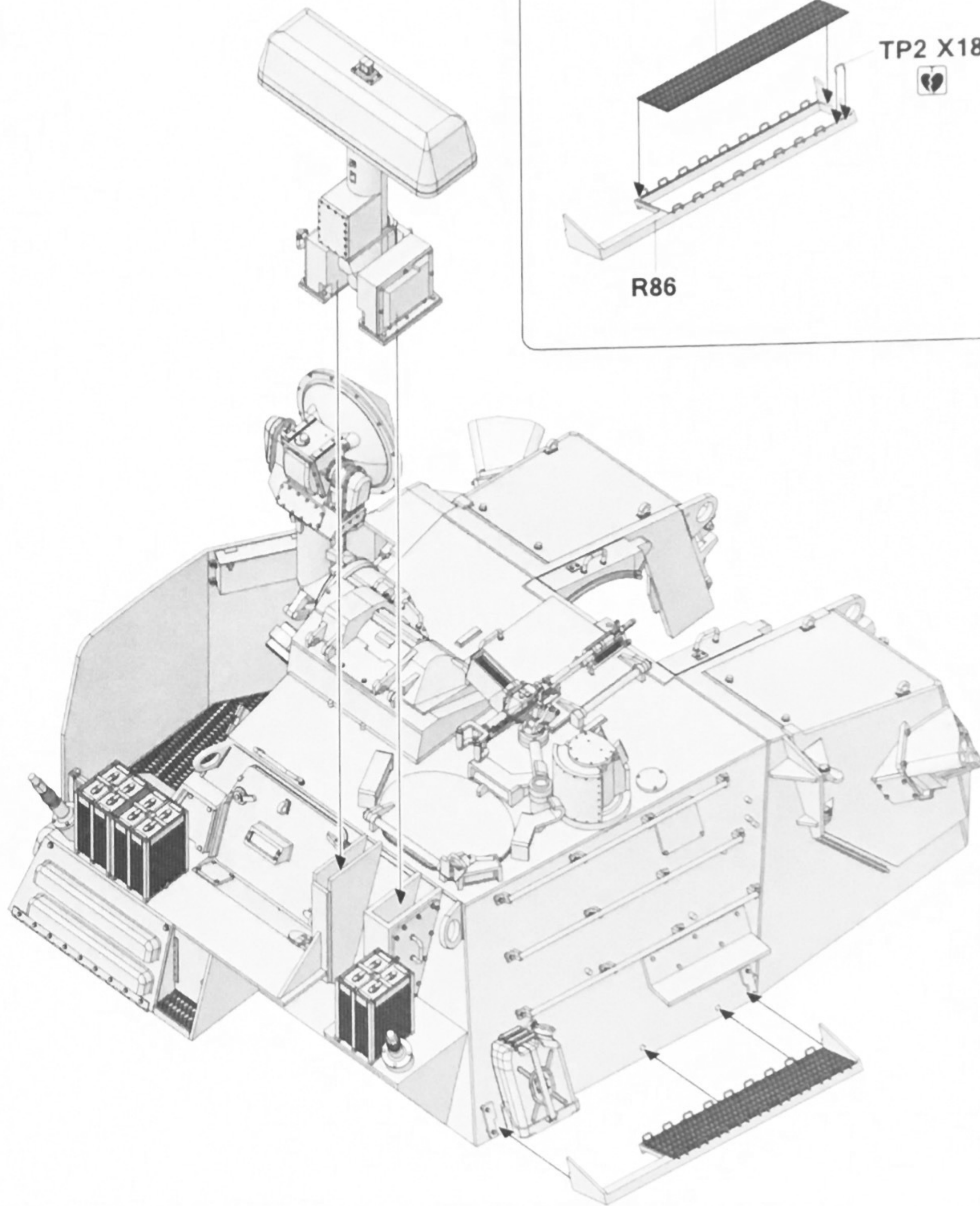
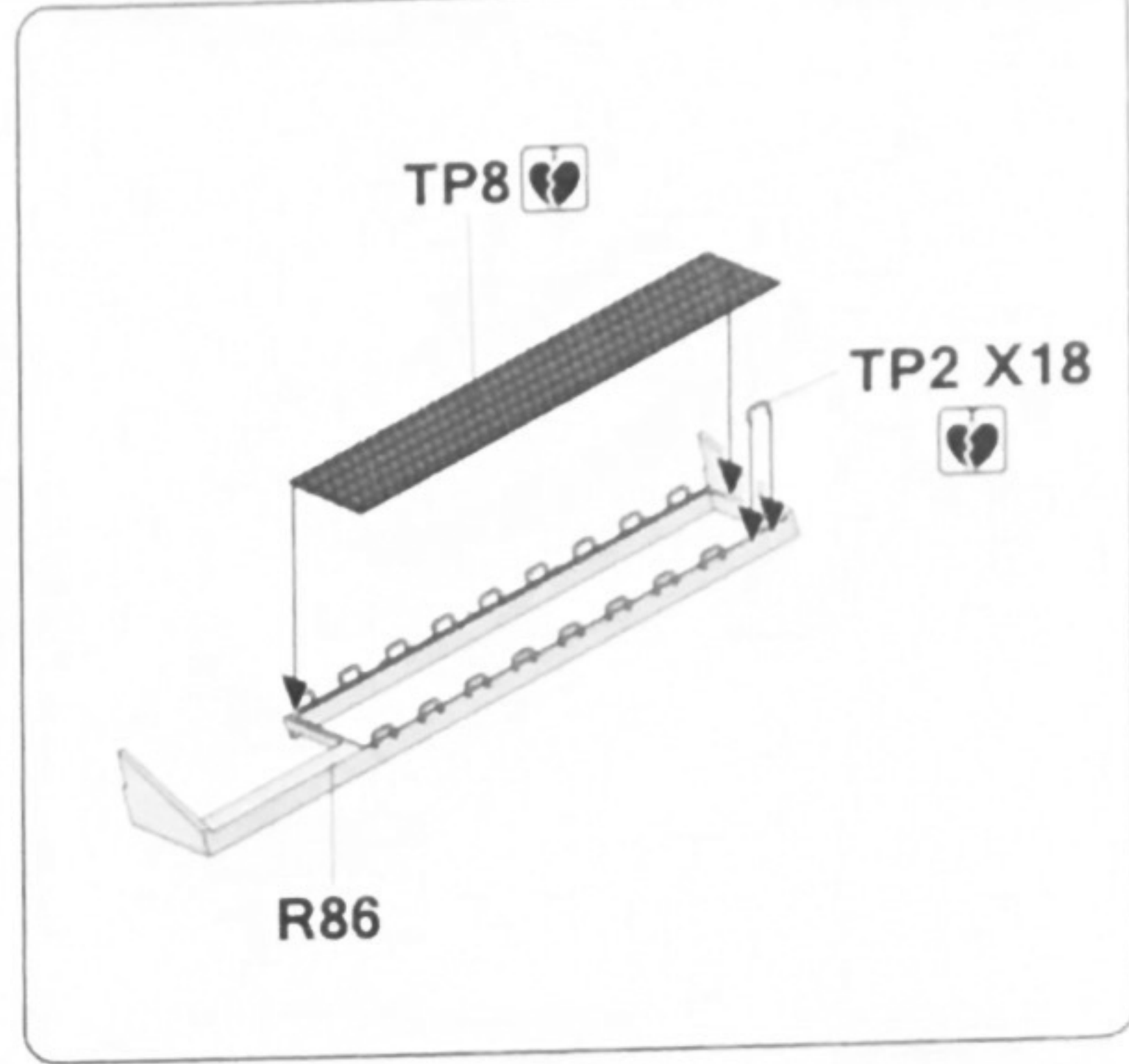
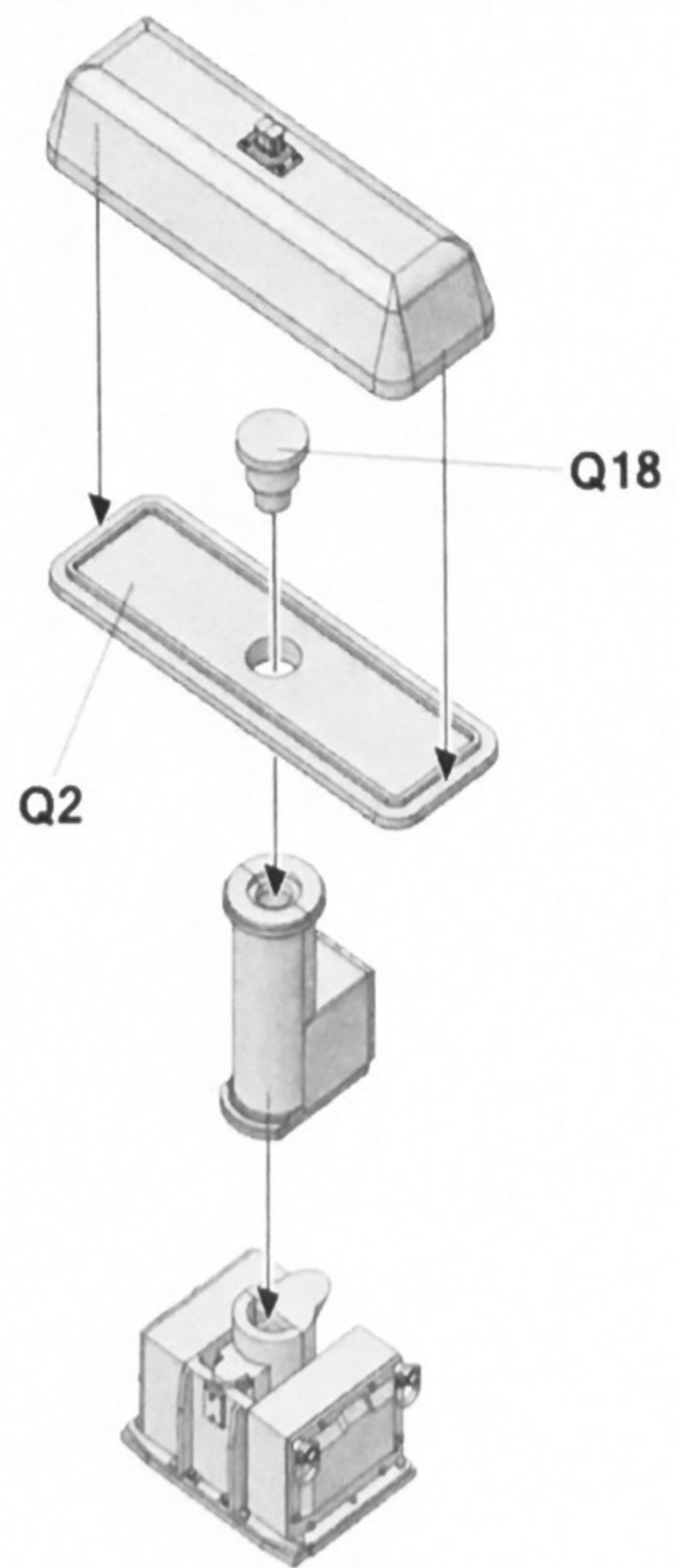
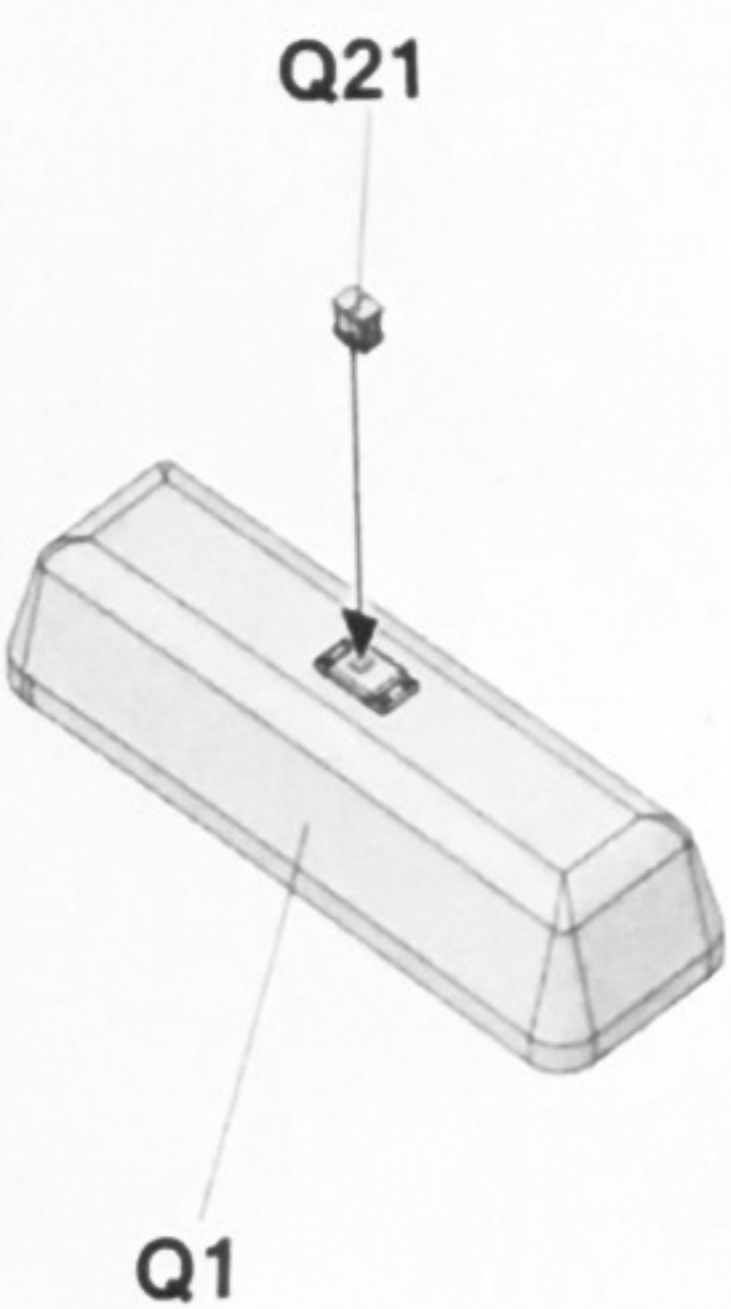
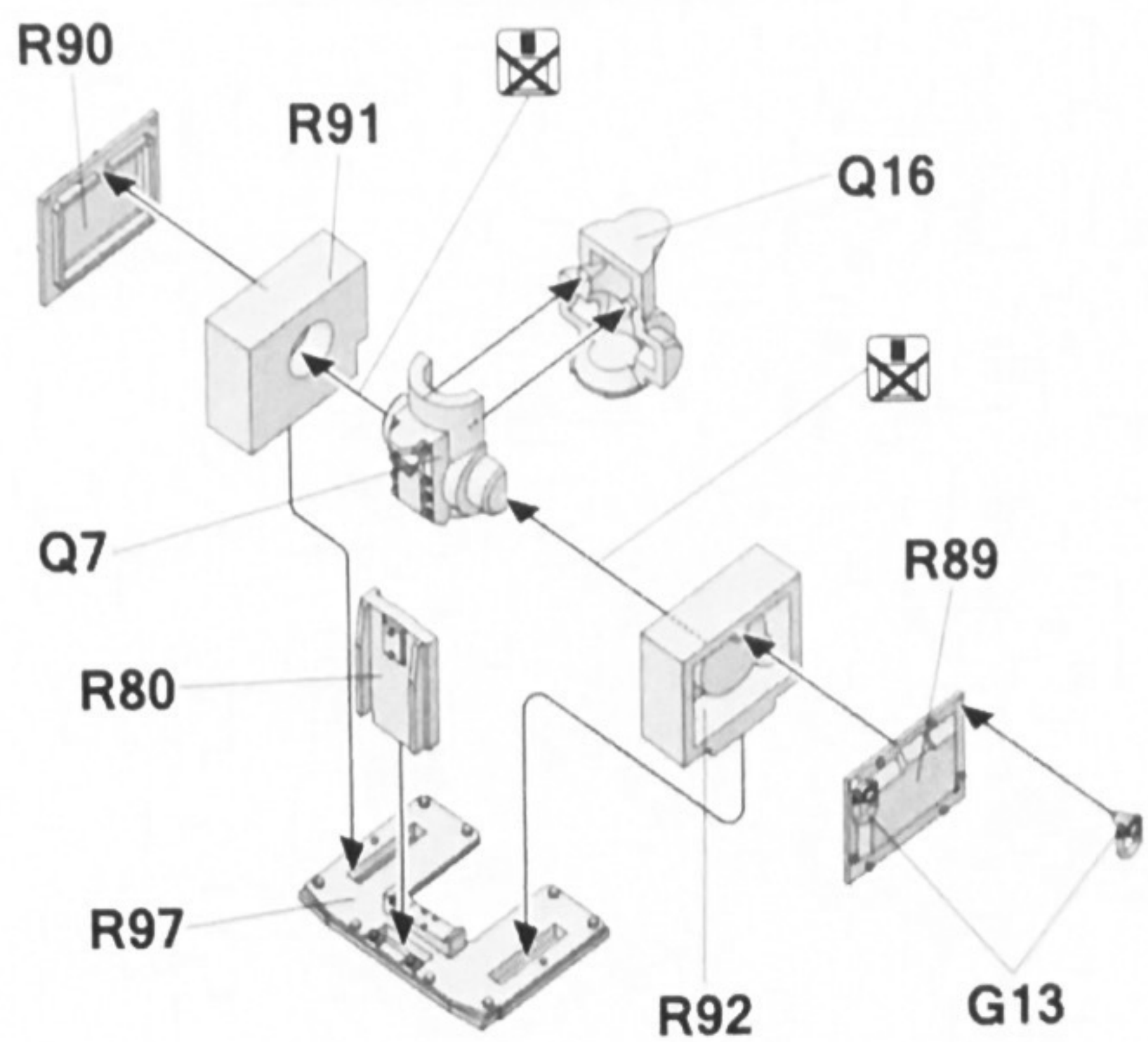
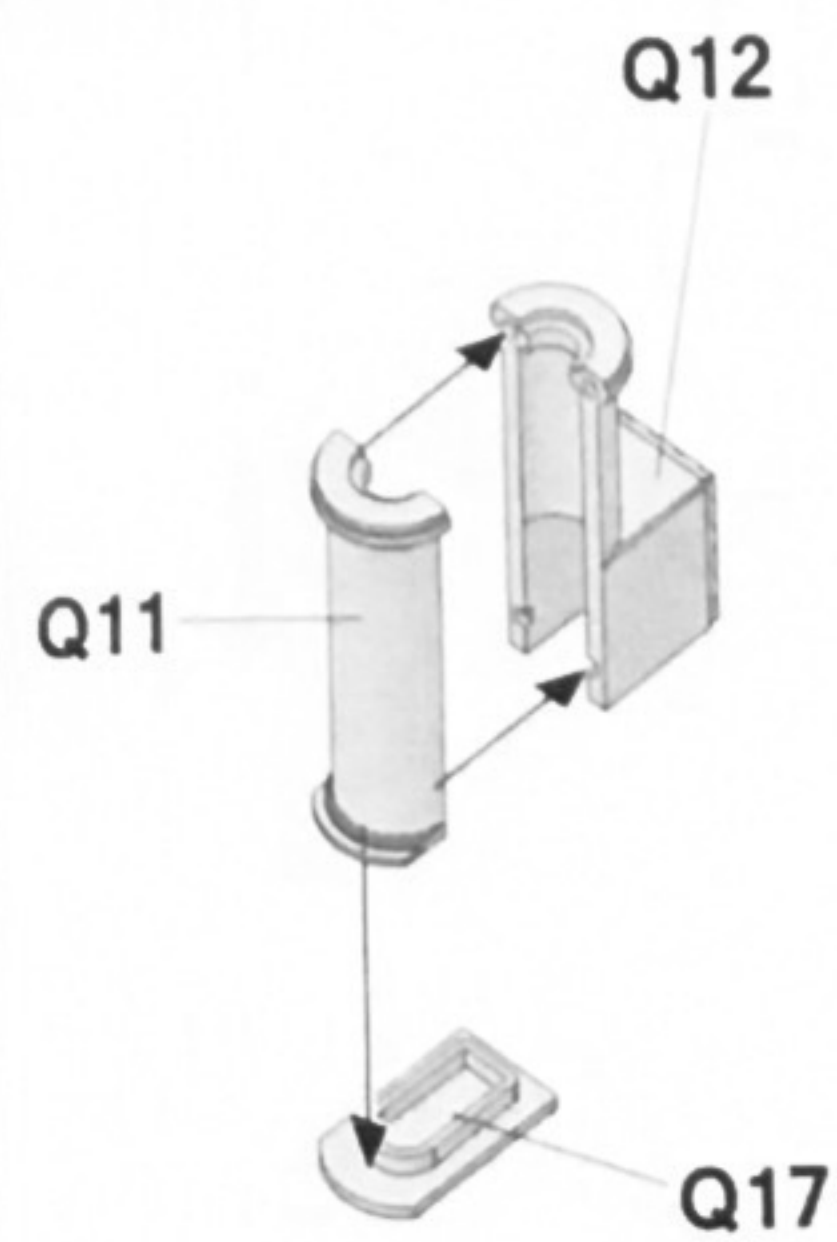


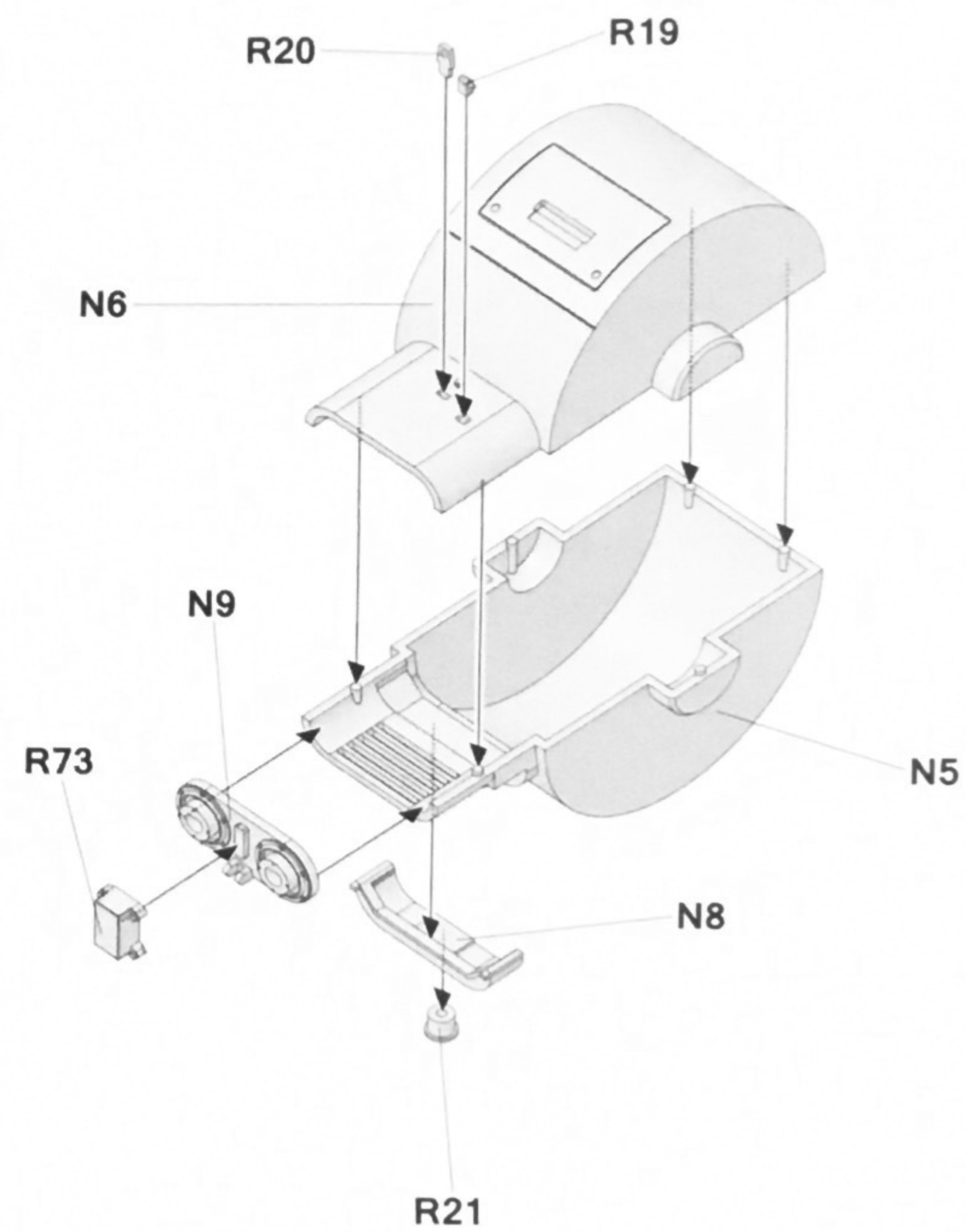
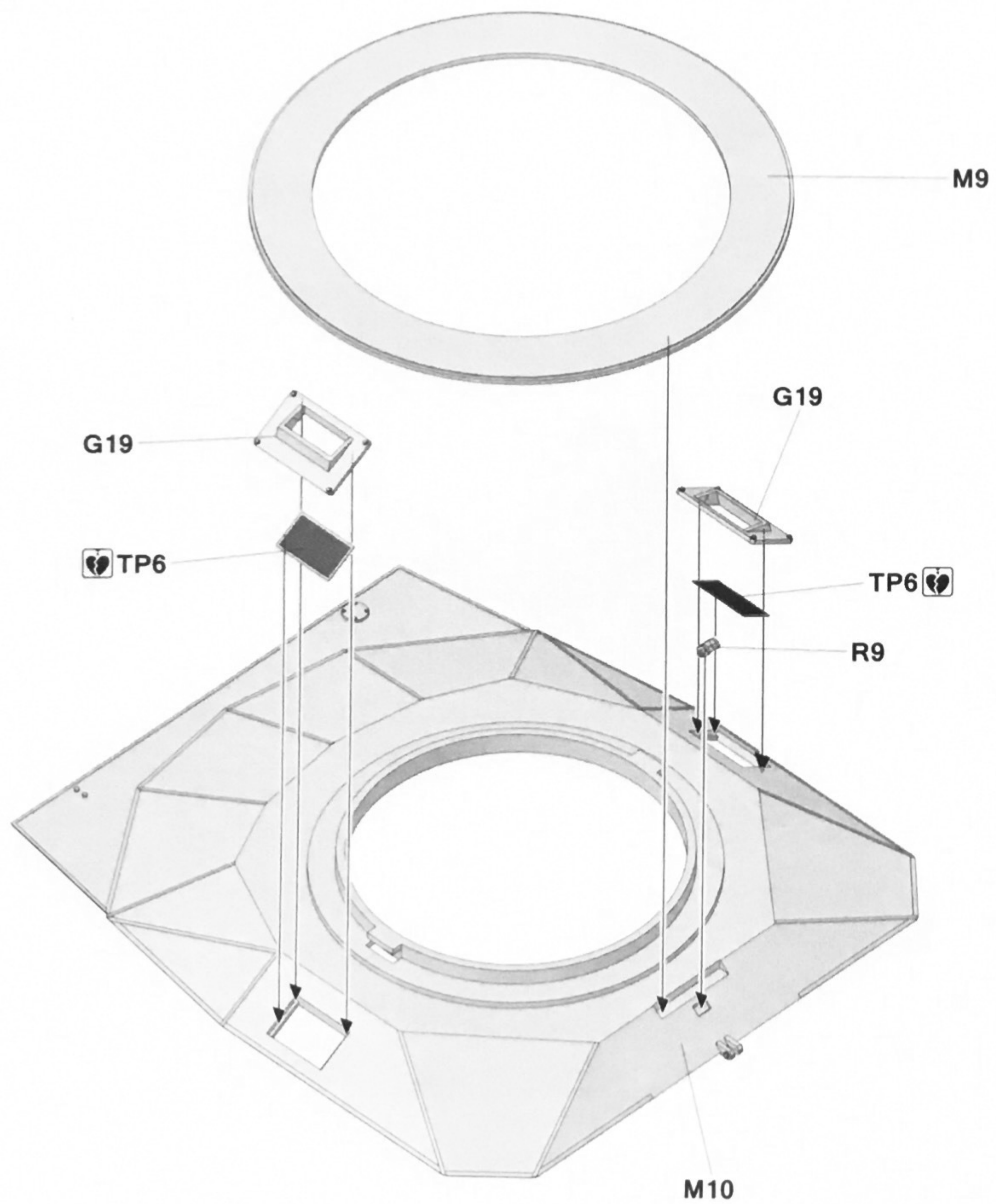
Make 3

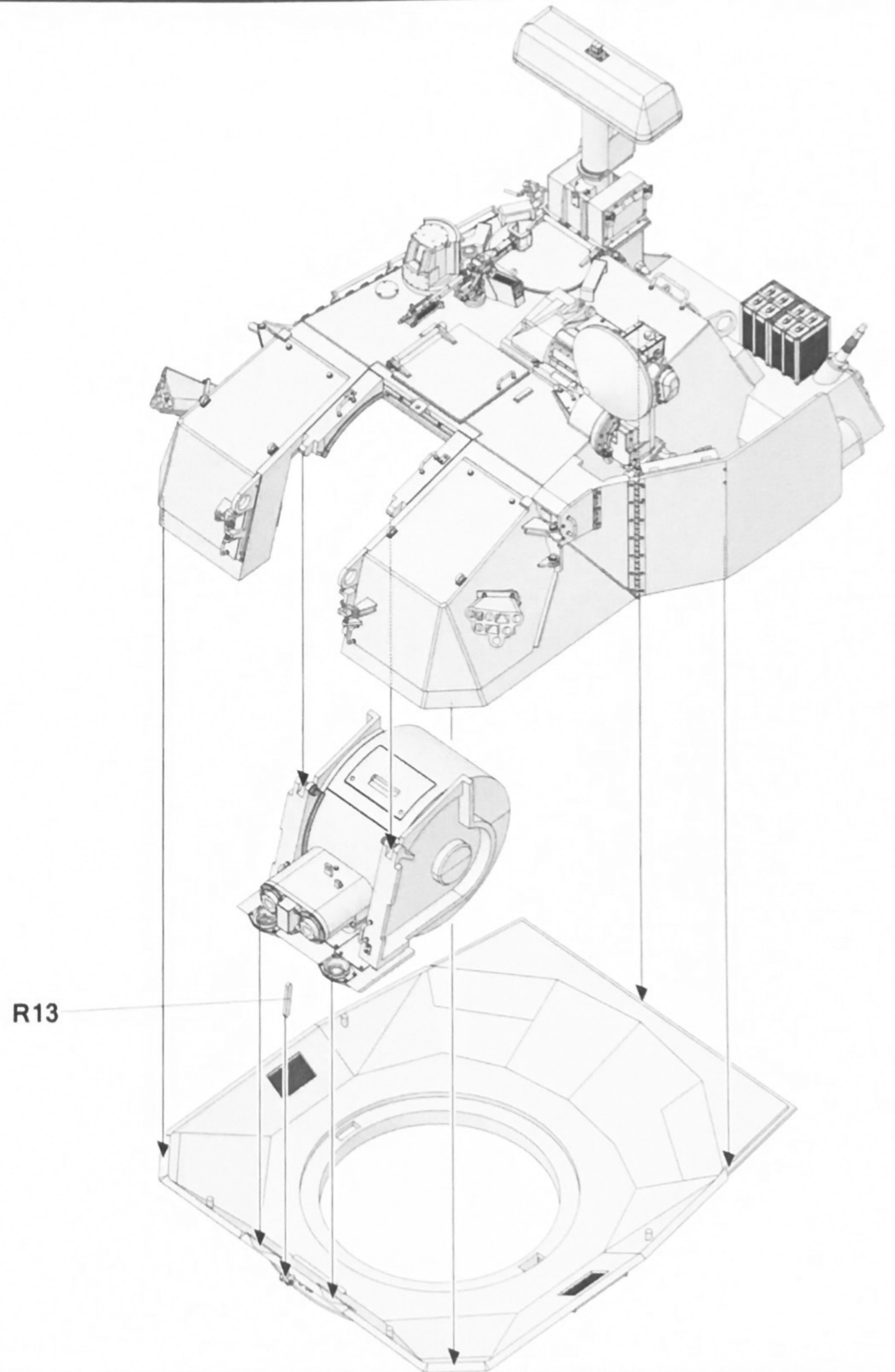
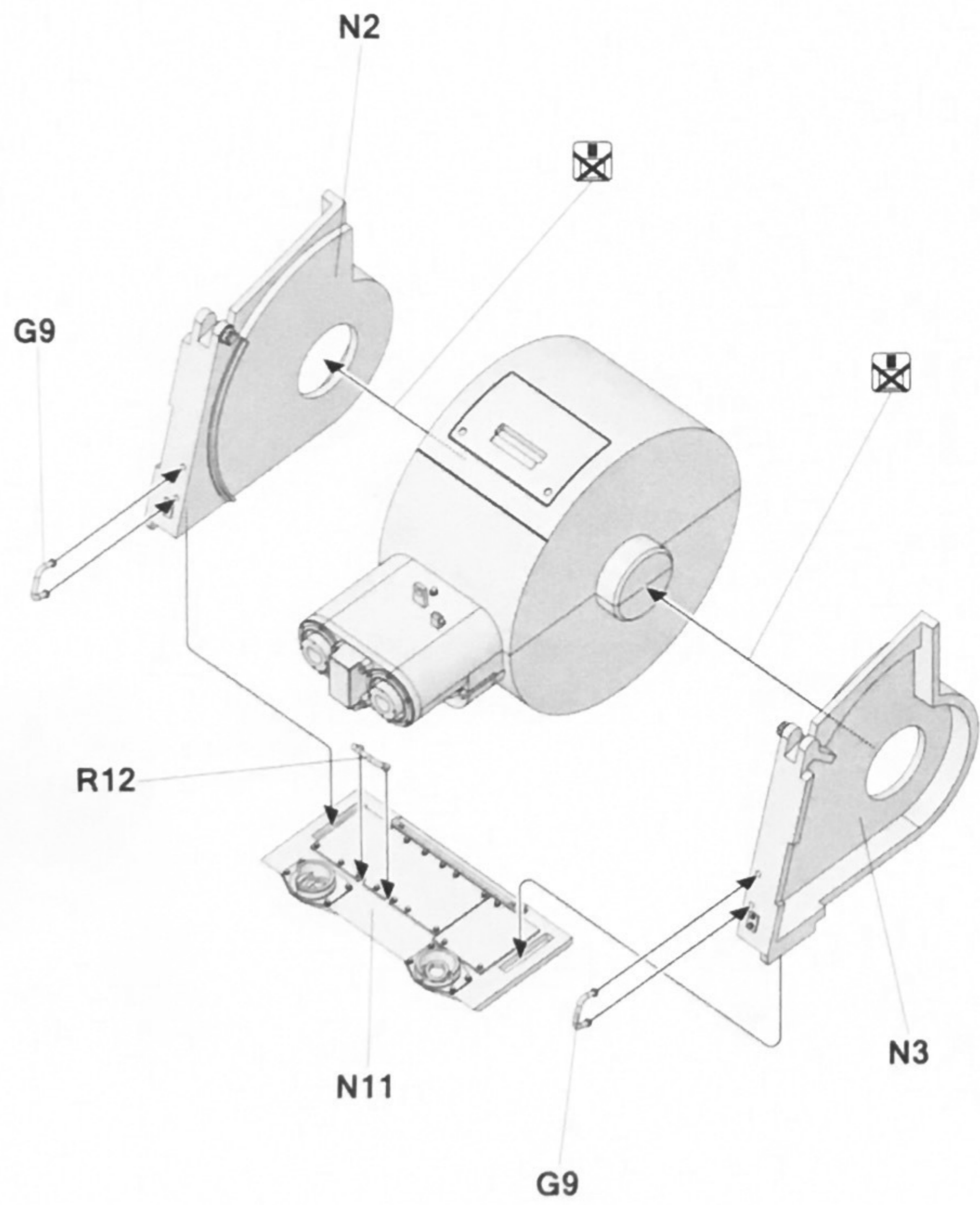


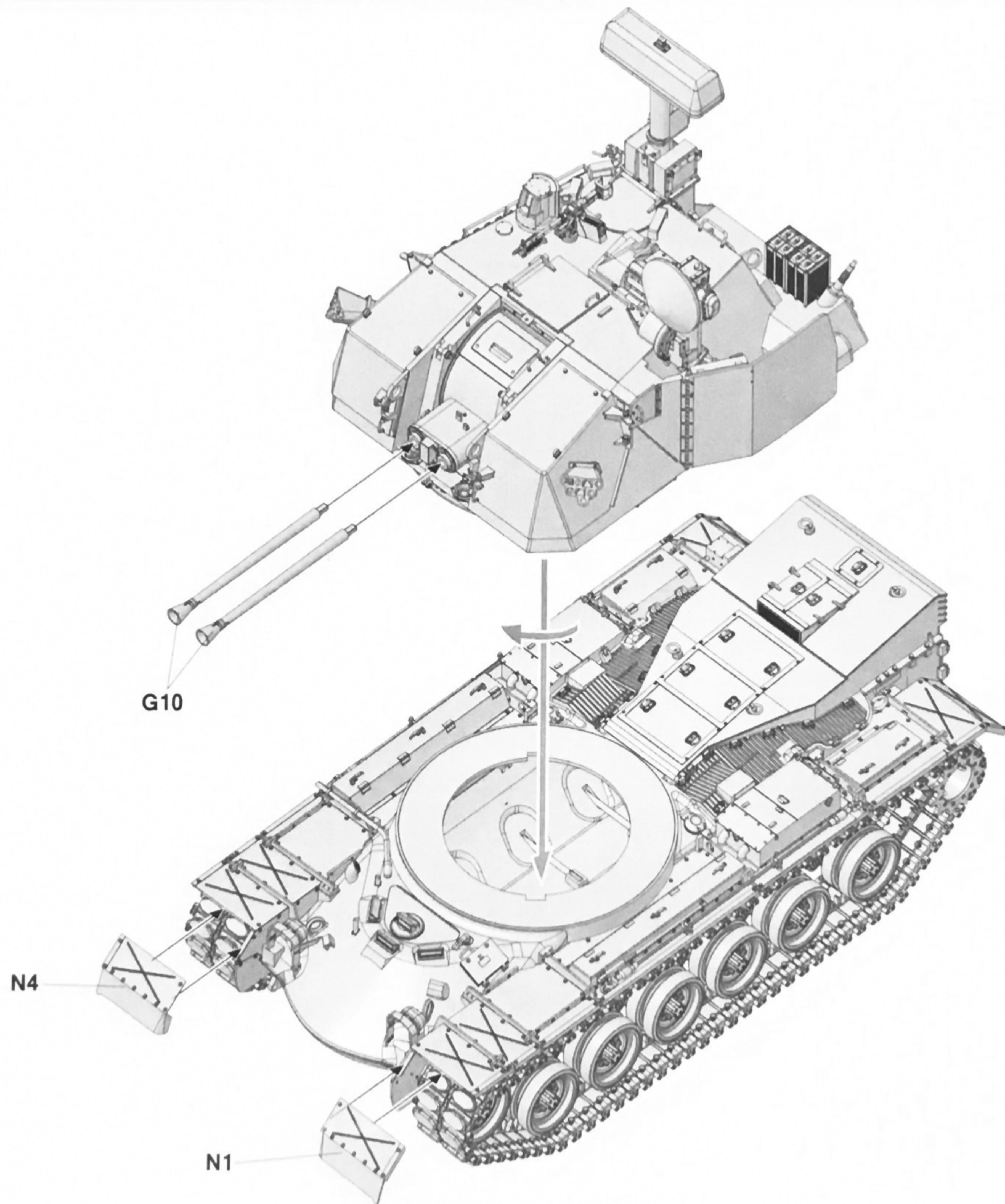
25





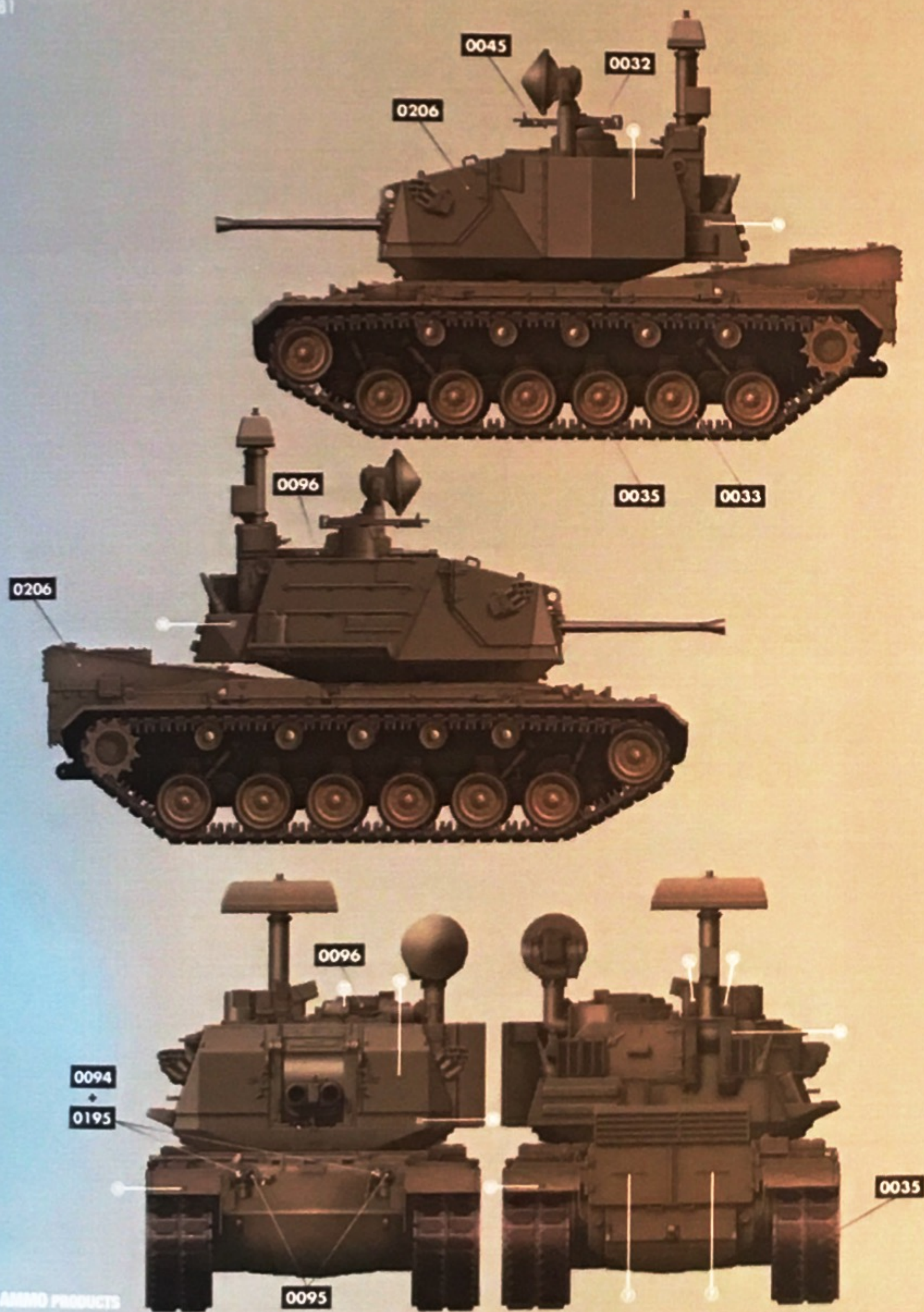
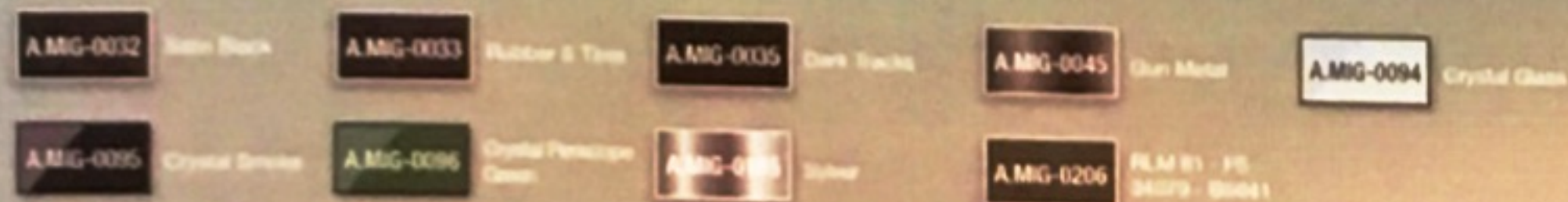






Painting and Marking Guide
TAKOM N°: 2160

M 247 Aberdeen Proving Ground,
Maryland, October 1981

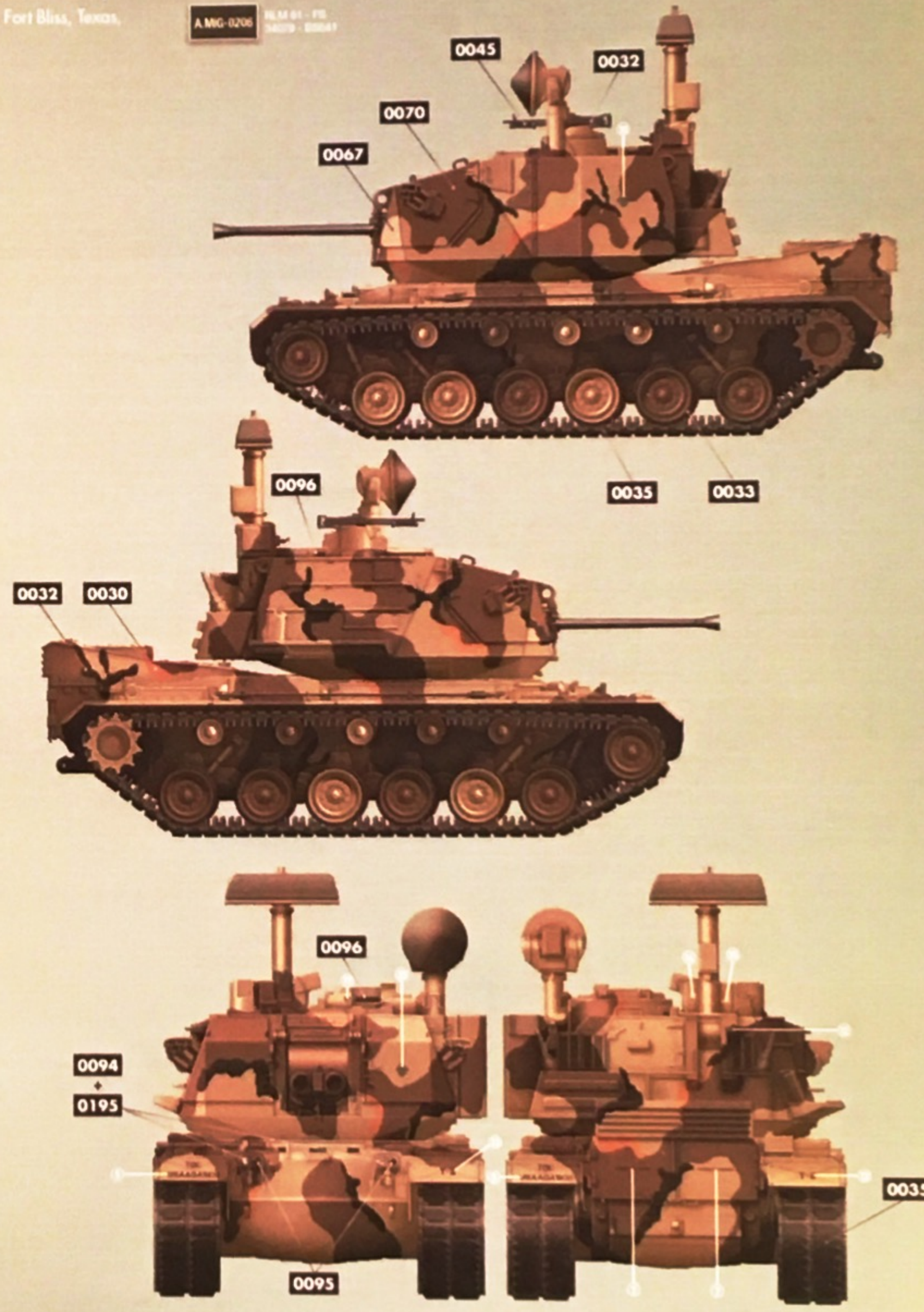
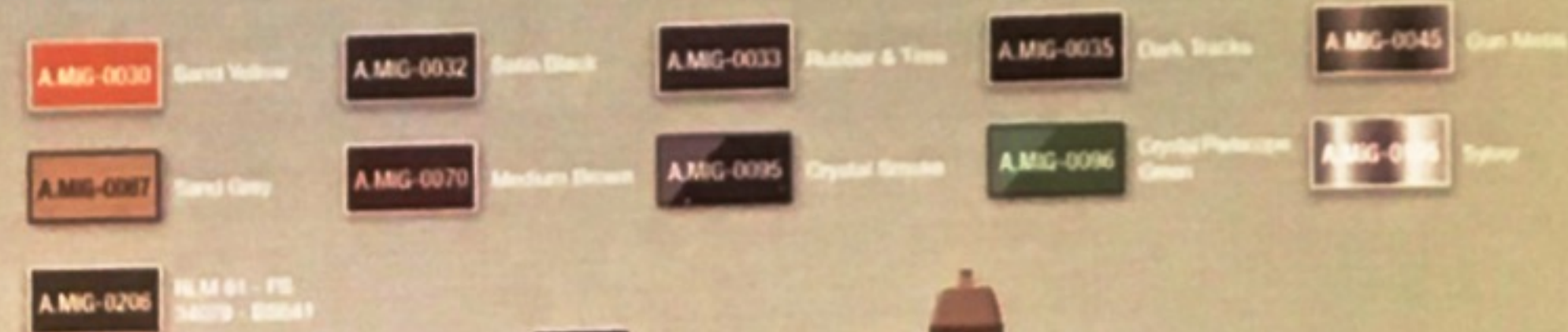


WEATHERING STEPS WITH AMMO PRODUCTS

1 GENERAL WASH A.MIG-1005 Dark Green Wash for Green vehicles	4 CAMO SHADING A.MIG-0868 Dark Green Shader	7 STREAKING A.MIG-1203 Streaking Grime	10 DUST A.MIG-3004 Europe Earth Pigment	13 FUEL A.MIG-1408 Fuel Stains
2 CAMO TADING A.MIG-3508 Oilbrusher Field Green	5 DIRT SHADING A.MIG-0853 Dirt Shader	8 RAINMARKS A.MIG-1258 Streakingbrusher Dust	11 MUD A.MIG-1704 Heavy Earth	14 OIL A.MIG-1408 Fresh Engine Oil
3 FILTER A.MIG-1508 Green for Grey Green	6 DETAILS HIGHLIGHT A.MIG-0608 Drybrush Medium Olive Green	9 TRACKS WASH A.MIG-1002 Tracks Wash	12 SPLASHES A.MIG-1753 Turned Dirt	

Painting and Marking Guide
TAKOM N°: 2160

M 247 U.S. Army Air Defense Artillery
School, (USAADASCH), Fort Bliss, Texas,
March 1982.



WEATHERING STEPS WITH AMMO PRODUCTS

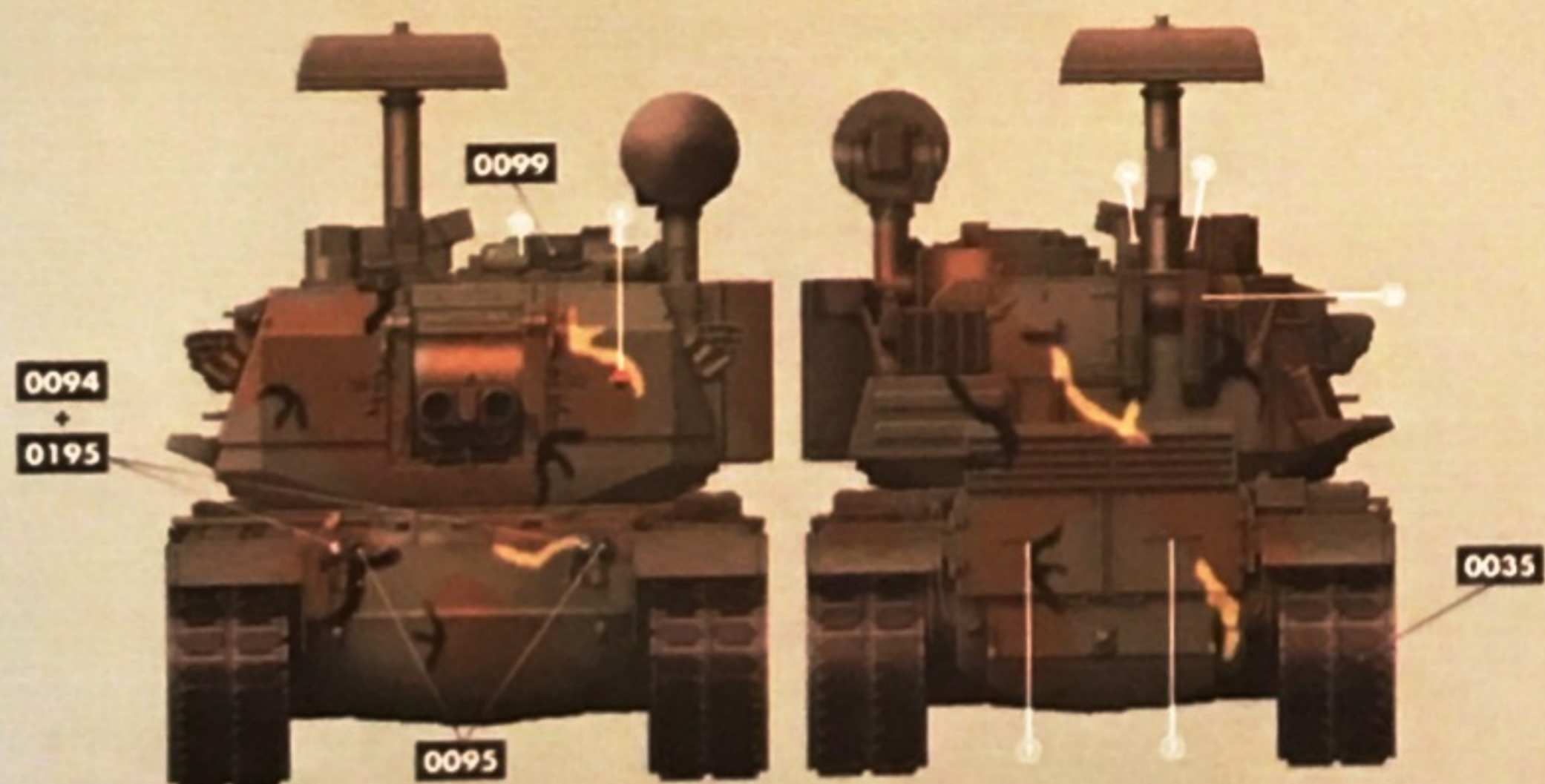
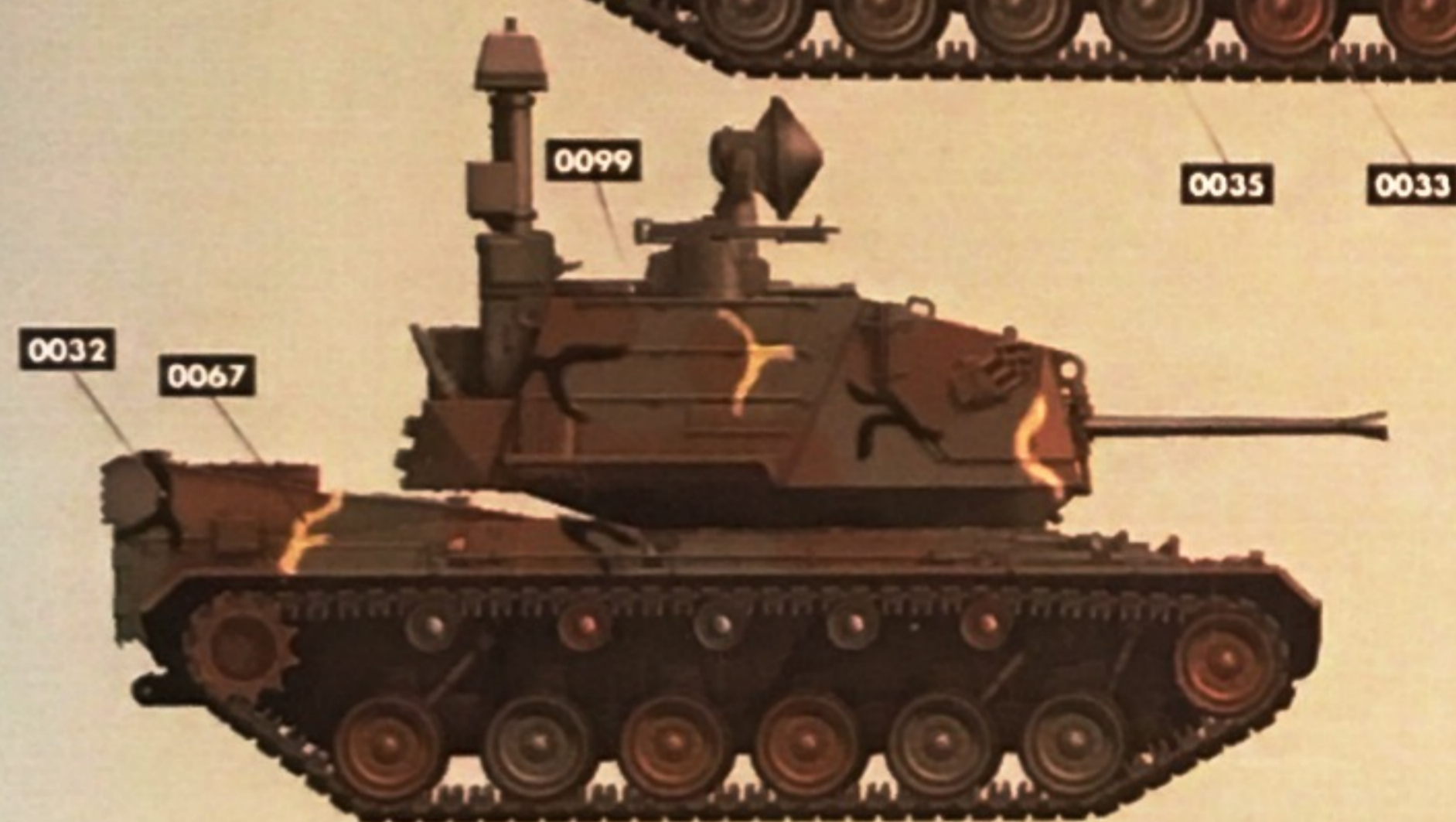
1 GENERAL WASH A.MIG-1001 Afrika Korps Wash	3 STREAKING A.MIG-1201 Streaking Grime for DAK	5 TRACKS WASH A.MIG-1002 Tracks Wash	7 HEAVY MUD A.MIG-1702 Turned Earth	9 FUEL A.MIG-1408 Fuel Stains
2 FILTER A.MIG-1505 Grey for Yellow Sand	4 RAINMARKS A.MIG-1258 Streakingbrusher Dust	6 DUST A.MIG-3003 North Africa Dust Pigment	8 SPLASHES A.MIG-1751 Dry Steppe	10 OIL A.MIG-1408 Fresh Engine Oil

Painting and Marking Guide

TAKOM N°: 2160

M247 Aberdeen Proving Ground,
Maryland, October 1985

A.MIG-0032	Dark Black	A.MIG-0033	Rubber & Tires	A.MIG-0035	Dark Tan	A.MIG-0045	Gun Metal	A.MIG-0067	Sand Olive
A.MIG-0070	Medium Brown	A.MIG-0095	Crystal Smoke	A.MIG-0099	Crystal Black Blue	A.MIG-0195	Silver	A.MIG-0084	Crystal Glass
A.MIG-0206	FLM #1: F18 34029 - 00041								



WEATHERING STEPS WITH AMMO PRODUCTS

- GENERAL WASH**
A.MIG-1005 Dark Brown Wash for Green vehicles
- FILTER**
A.MIG-0824 Tan
- CAMO SHADING**
A.MIG-0852 Earth Shader

- DIRT SHADING**
A.MIG-0853 Dirt Shader
- DETAILS HIGHLIGHT**
A.MIG-0617 Drybrush Medium German Yellow
- STREAMING**
A.MIG-1256 Streakingbrusher Green-Grey Grime

- RAINFALL**
A.MIG-1258 Streakingbrusher Dust
- TRACKS WASH**
A.MIG-1002 Tracks Wash
- DUST**
A.MIG-3004 Europe Earth Pigment

- MUD**
A.MIG-1704 Heavy Earth
- SPLASHES**
A.MIG-1753 Turned Dirt

- FUEL**
A.MIG-1408 Fuel Stains
- OIL**
A.MIG-1408 Fresh Engine Oil

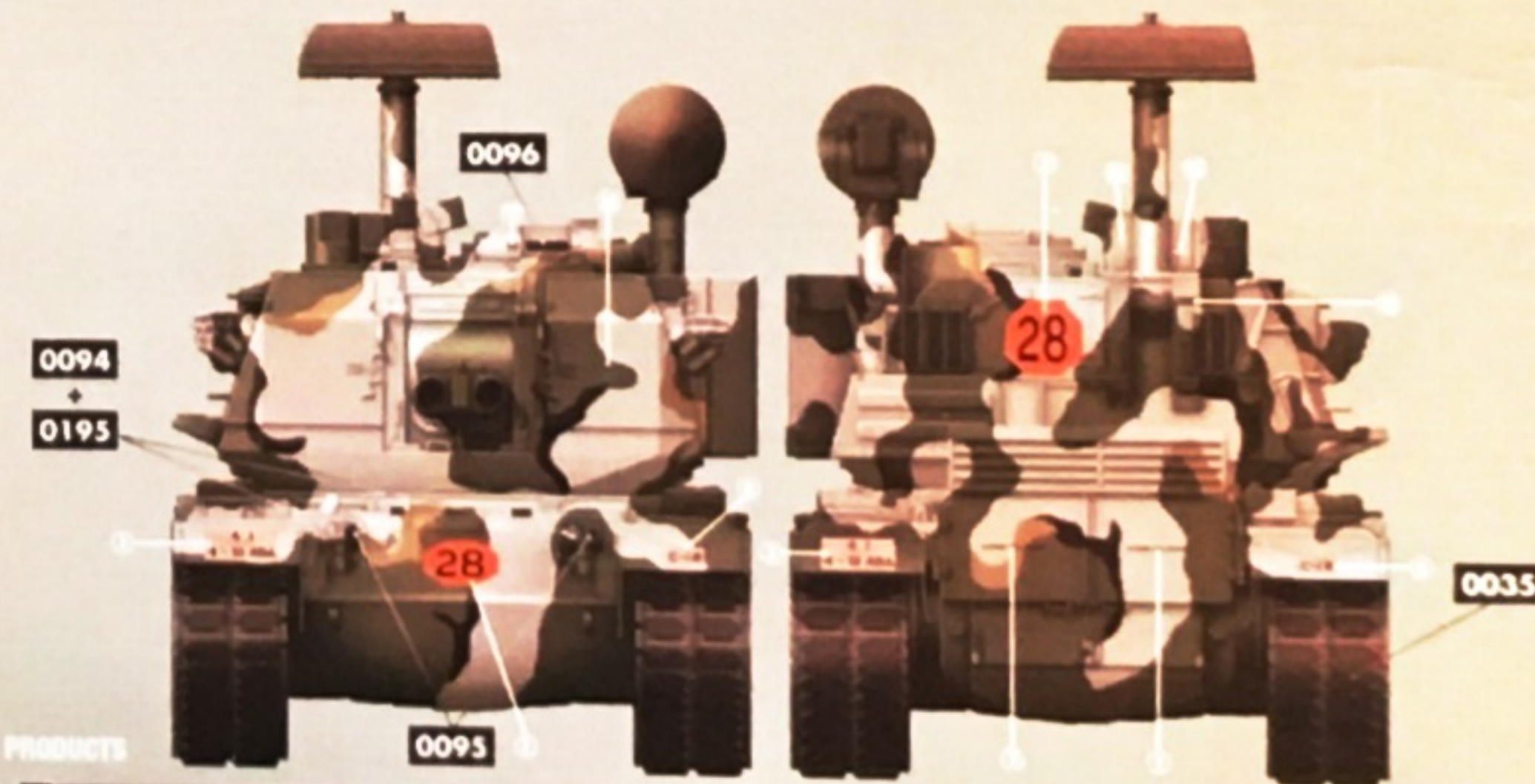
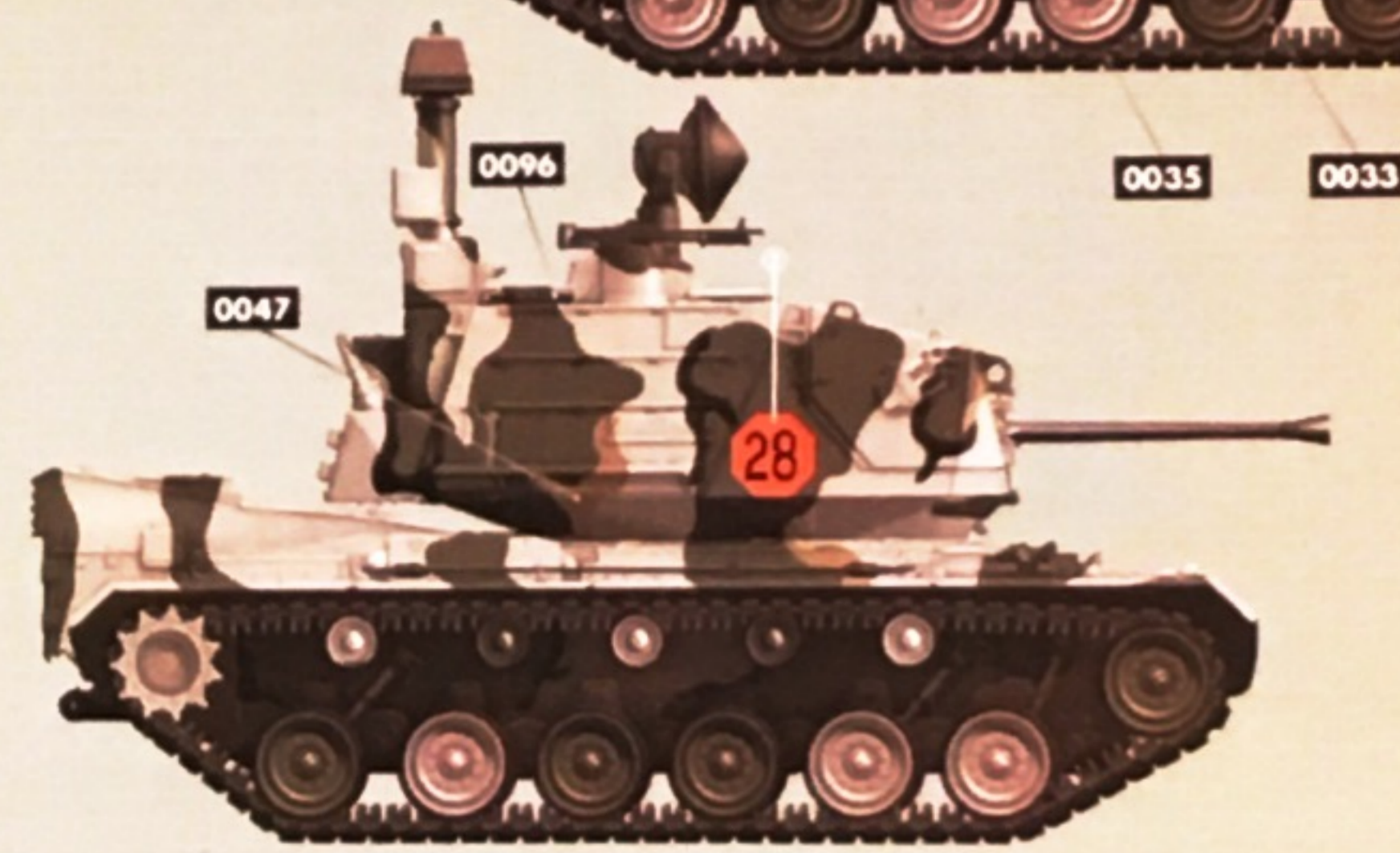
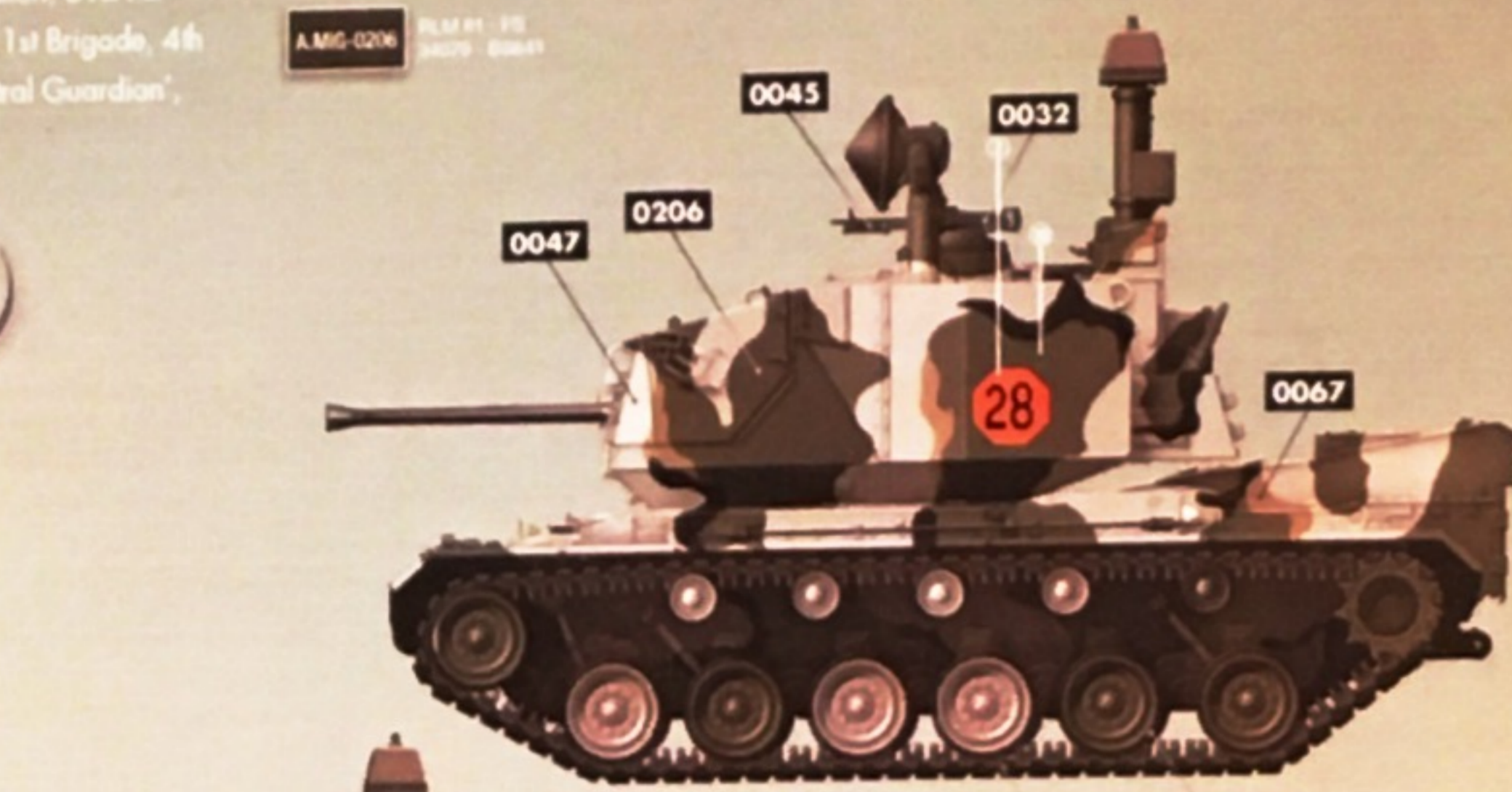
Painting and Marking Guide

TAKOM N°: 2160

M247 C Battery, 4th Battalion, 61st Air
Defense Artillery Regiment, 1st Brigade, 4th
(US) Infantry Division, "Central Guardian",
Reforger 85 "What If"



A.MIG-0032	Dark Black	A.MIG-0033	Rubber & Tires	A.MIG-0035	Dark Tan	A.MIG-0045	Gun Metal	A.MIG-0047	White
A.MIG-0067	Sand Olive	A.MIG-0095	Crystal Smoke	A.MIG-0099	Crystal Polychrome Green	A.MIG-0195	Silver	A.MIG-0084	Crystal Glass
A.MIG-0206	FLM #1: F18 34029 - 00041								



WEATHERING STEPS WITH AMMO PRODUCTS

- GENERAL WASH**
A.MIG-1010 Neutral Wash
- CAMO FADING**
A.MIG-3501 Oilbrusher White
- FILTER**
A.MIG-0822 Ochre

- CAMO SHADING**
A.MIG-0857 Gray Shader
- DIRT SHADING**
A.MIG-0853 Dirt Shader
- DETAILS HIGHLIGHT**
A.MIG-0608 Drybrush Light Olive Green

- STREAMING**
A.MIG-1255 Streakingbrusher Winter Grime
- RAINFALL**
A.MIG-1258 Streakingbrusher Dust
- TRACKS WASH**
A.MIG-1002 Tracks Wash

- DUST**
A.MIG-3029 Winter Soil Pigment
- MUD**
A.MIG-1705 Wet Mud
- SPLASHES**
A.MIG-1754 Damp Earth

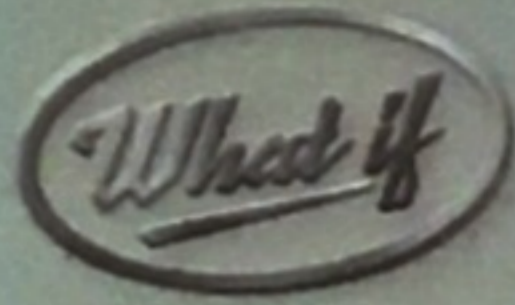
- FUEL**
A.MIG-1408 Fuel Stains
- OIL**
A.MIG-1408 Fresh Engine Oil

M247 SERGEANT YORK

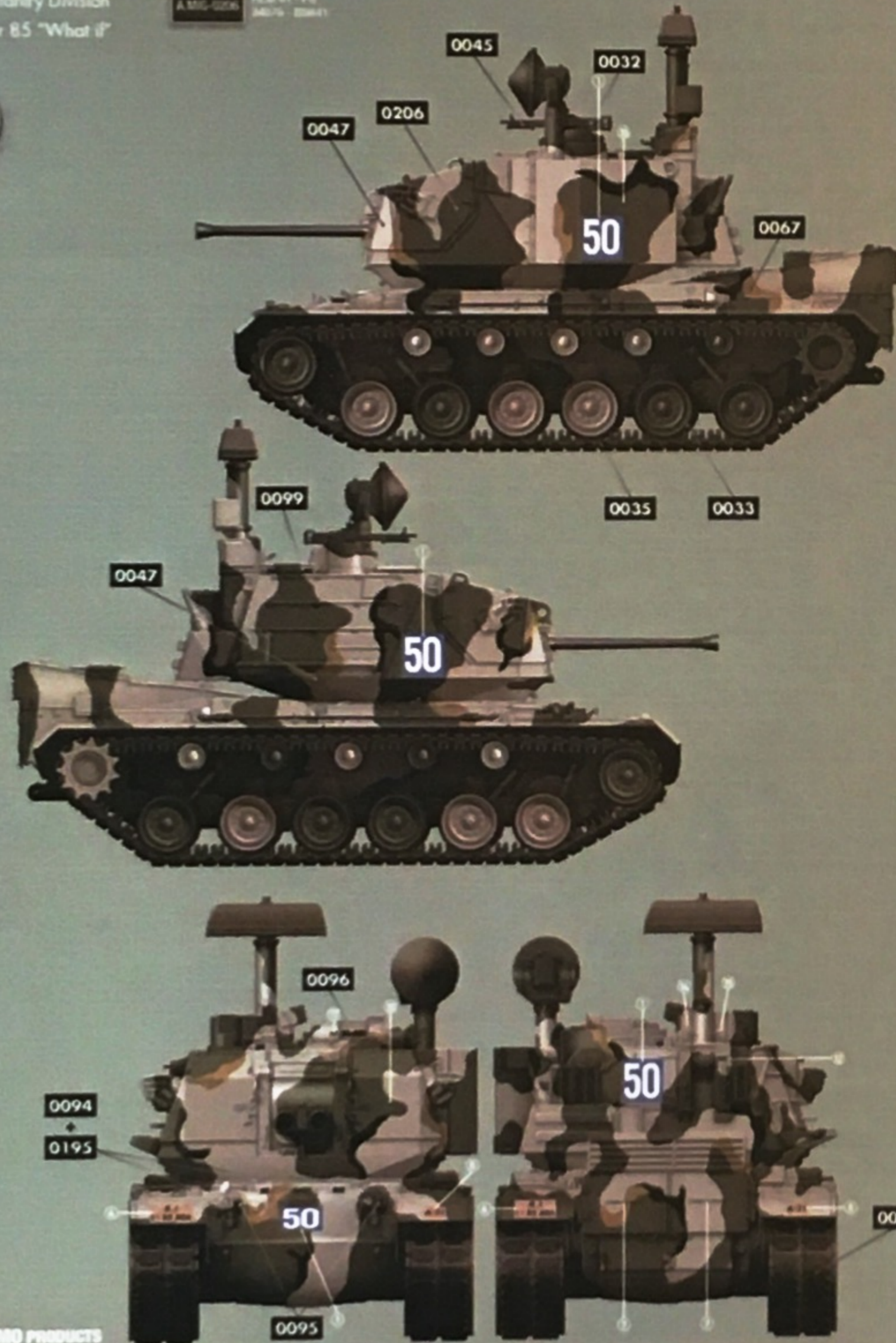
Painting and Marking Guide

TAKOM N°: 2160

M247 - A Battery, 1st Battalion, 59th Air Defense Artillery, 8th (US) Infantry Division "Central Guardian", Reformed 85 "What If"



A.MIG-0032 Golden Black	A.MIG-0033 Reducer & Tones	A.MIG-0035 Dark Tracks	A.MIG-0045 Gun Metal	A.MIG-0047 White
A.MIG-0067 Sand Grey	A.MIG-0095 Crystal Seawater	A.MIG-0099 Crystal Black Blue	A.MIG-0195 Dye	A.MIG-0094 Crystal Glass
A.MIG-0206 PLM 01 - F5 360° - 0041				



WEATHERING STEPS WITH AMMO PRODUCTS

1 GENERAL WASH A.MIG-1010 Neutral Wash	4 CAMO SHADING A.MIG-0067 Grey Shiner	7 STREAKING A.MIG-1296 Streakingbrusher Winter Grime	10 DUST A.MIG-0029 Water Soil Pigment	13 FUEL A.MIG-1400 Fuel Stains
2 CAMO FADING A.MIG-3601 Oilbrusher White	5 DIRT SHADING A.MIG-0053 Dirt Shiner	8 RAINMARKS A.MIG-1256 Streakingbrusher Dust	11 MUD A.MIG-1700 Wet Mud	14 OIL A.MIG-1400 Fresh Engine Oil
3 FILTER A.MIG-0022 Ochre	6 DETAILS HIGHLIGHT A.MIG-0008 Drybrush Light Olive Green	9 TRACKS WASH A.MIG-1002 Tracks Wash	12 SPLASHES A.MIG-1754 Damp Earth	

Pz.Kpfw.III Ausf.N mit Schürzen

HATCHES CAN BE BUILT IN OPEN OR CLOSED POSITION & DETAILED STATIC DISPLAY PLASTIC MODEL & LINK & LENGTH STYLE TRACKS INCLUDED & 4 TYPES OF MARKINGS & PE PARTS INCLUDED &



1/35
No.8005

A THIS IS NOT A TOY
A CEMENT AND PAINT NOT INCLUDED
A MODEL MAY VARY FROM IMAGE ON BOX
A READY TO ASSEMBLE PRECISION MODEL KIT
A INTENDED FOR COLLECTORS OF AGE 14 YEARS AND ABOVE



Pz.Kpfw.III Ausf.M mit schürzen

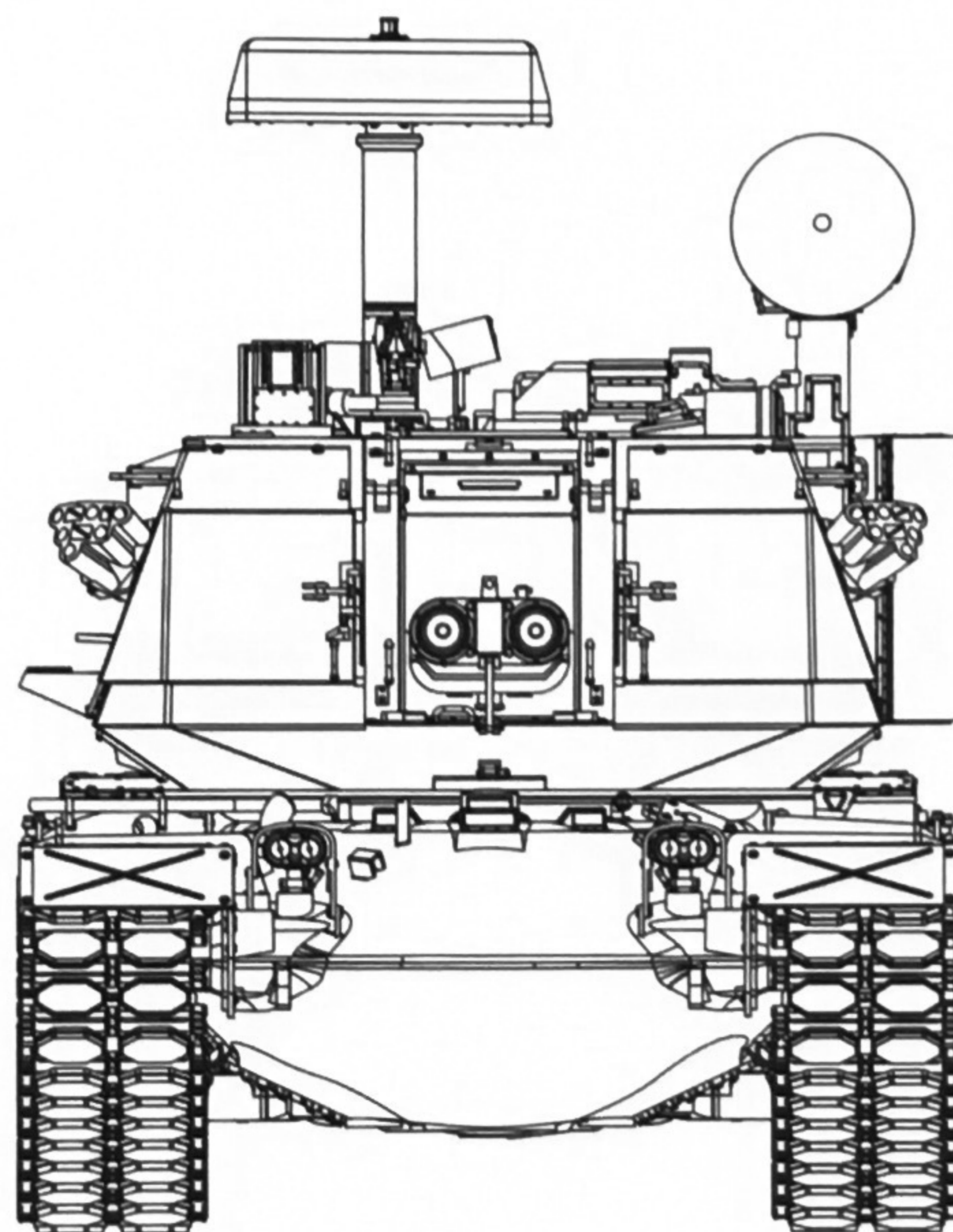
ALL HATCHES CAN BE BUILT IN OPEN OR CLOSED POSITION & DETAILED STATIC DISPLAY PLASTIC MODEL & LINK & LENGTH STYLE TRACKS INCLUDED & 4 TYPES OF MARKINGS & PE PARTS INCLUDED &



A THIS IS NOT A TOY
A CEMENT AND PAINT NOT INCLUDED
A MODEL MAY VARY FROM IMAGE ON BOX
A READY TO ASSEMBLE PRECISION MODEL KIT
A INTENDED FOR COLLECTORS OF AGE 14 YEARS AND ABOVE

1/35
No.8002

JASON ZOH



You can find TAKOM on Facebook.com