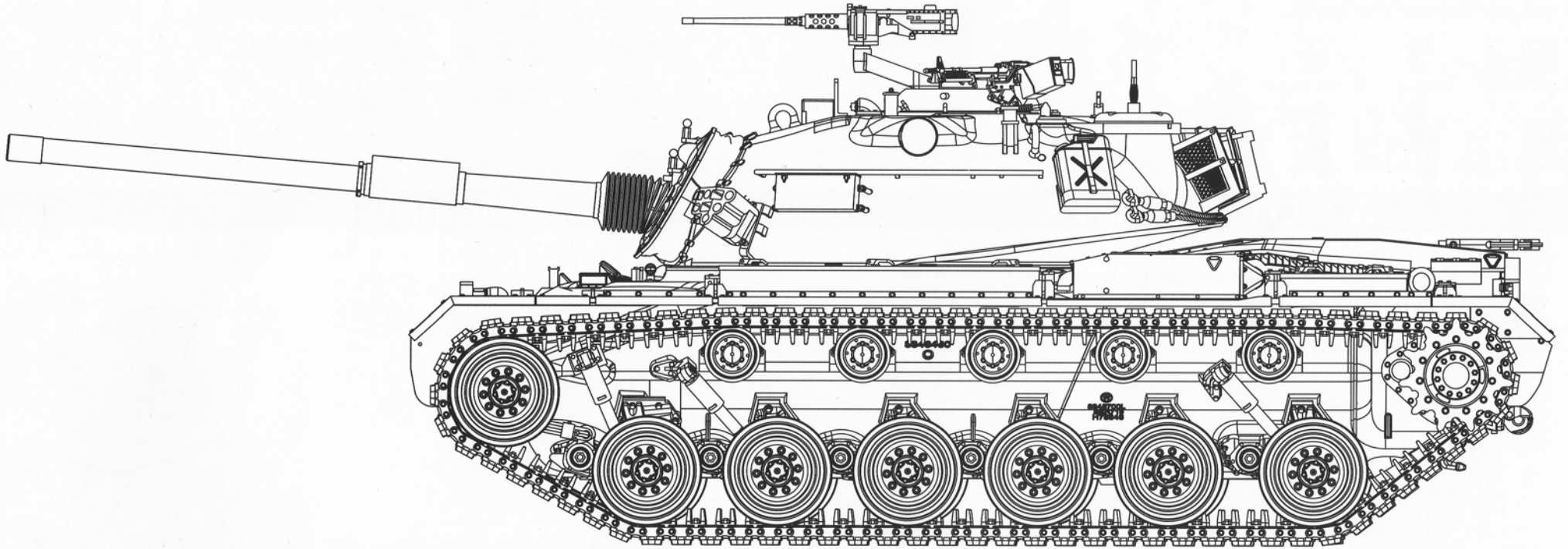


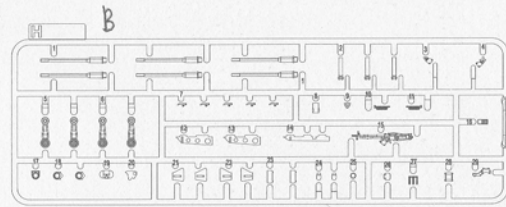
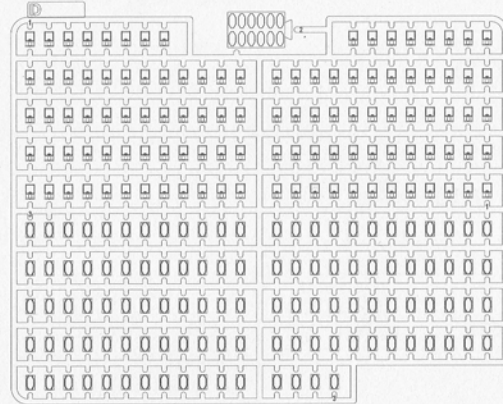
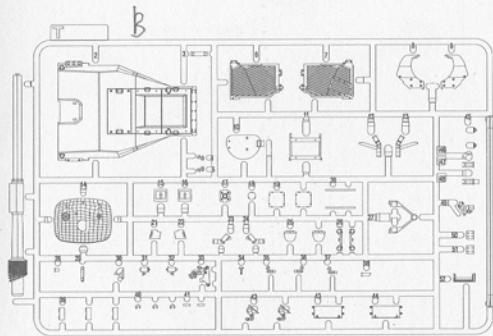
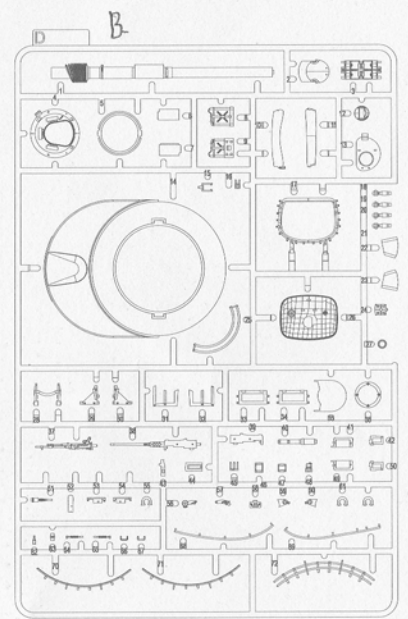
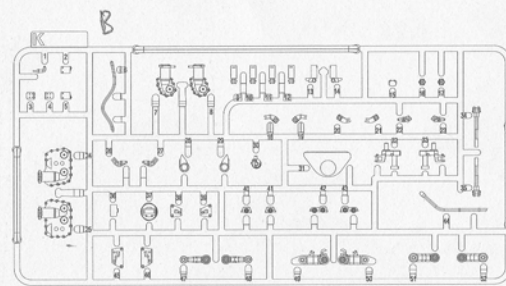
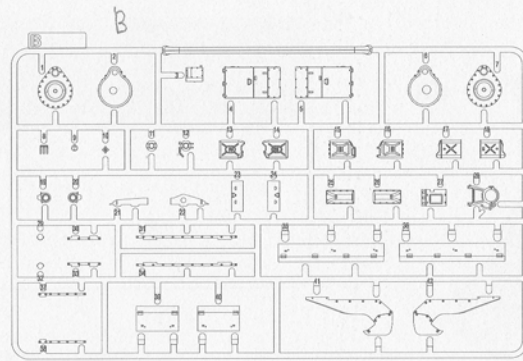
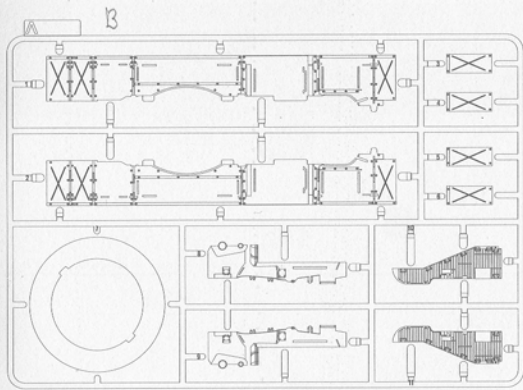
# M48A5



Developed from the M47 'General Patton' tank, the M48 was the mainstay of the US Army and Marines in the Vietnam War. Some 11,703 M48's were built between 1952 and 1959. The last major US upgrade of the M48 tank series was the M48A5. This conversion upgrade was applied to M48A3 versions still in service with Army National Guard units in order to maintain the training levels of Guard units as well as using a commonality in ammunition amongst tanks. The upgrade featured the mounting of the M68 105mm L7 gun carried in the M116 mount and the M16 fire control system. The hull was upgraded by applying the M60A1 RISE Hull PIP Update Kit and incorporated as many of the components as possible.

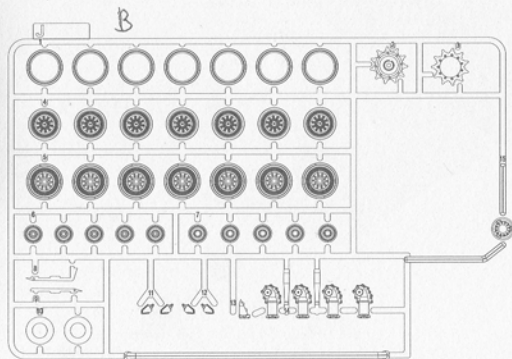
Some of these upgrades included a retrofit of the AVDS-1790-2C RISE diesel engine coupled with a CD-850-6 cross-drive transmission, 300-gallon fuel capacity, T142 tracks, M13A1 NBC protection system for the crew and the replacement of the .30 caliber M37 coaxial machine gun with the 7.62mm NATO M219/T175 machine gun.

# PARTS

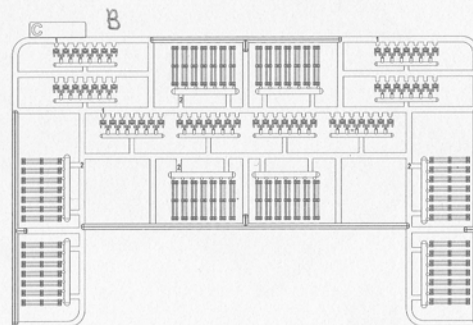


X2

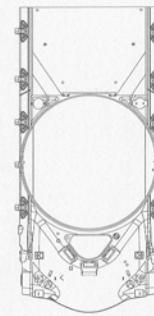
X3



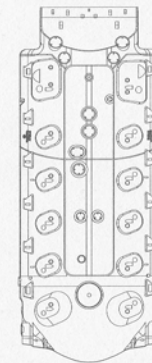
X2



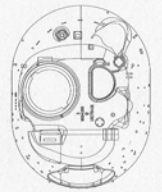
X3



Upper Hull



Lower Hull



Decal

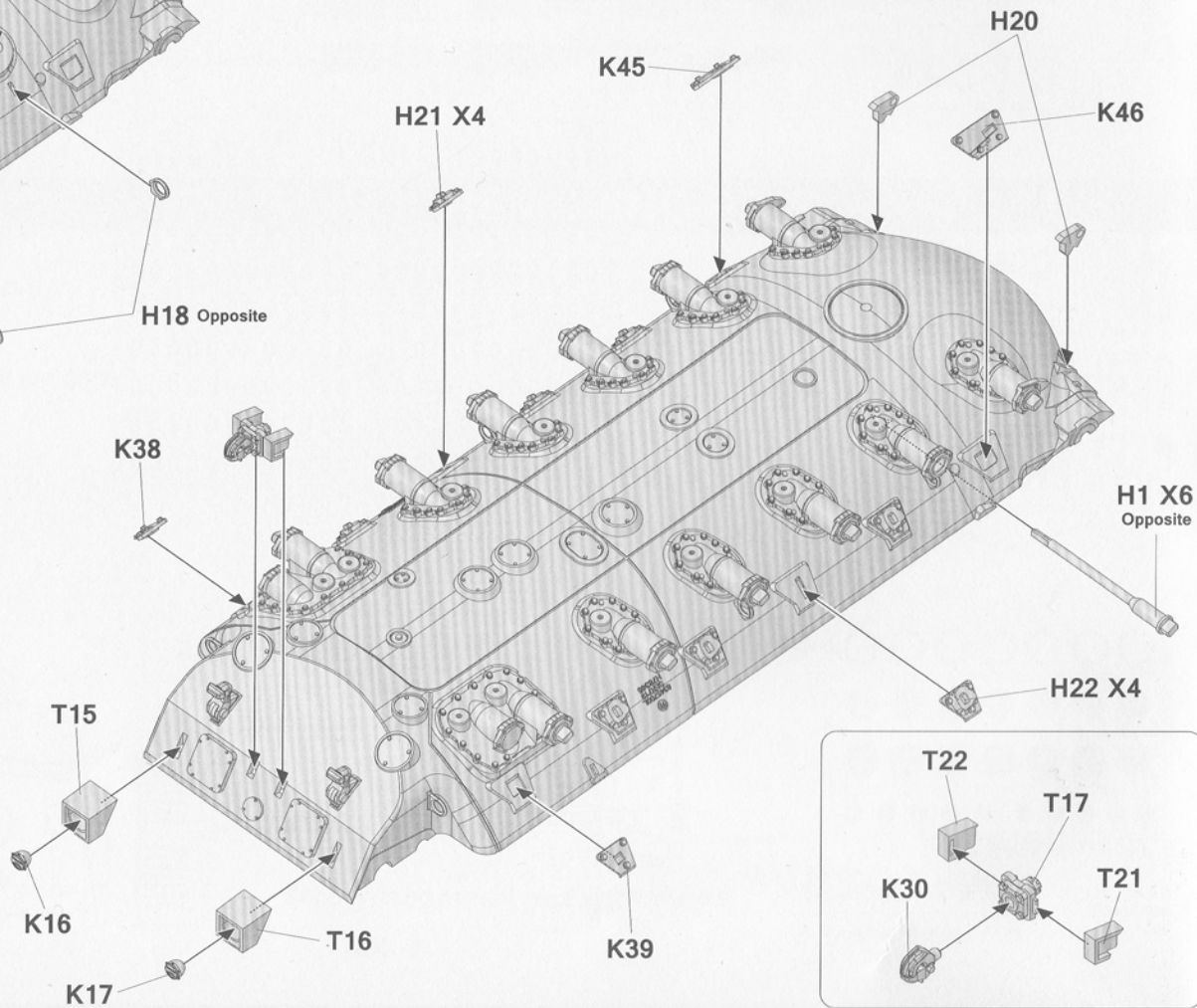
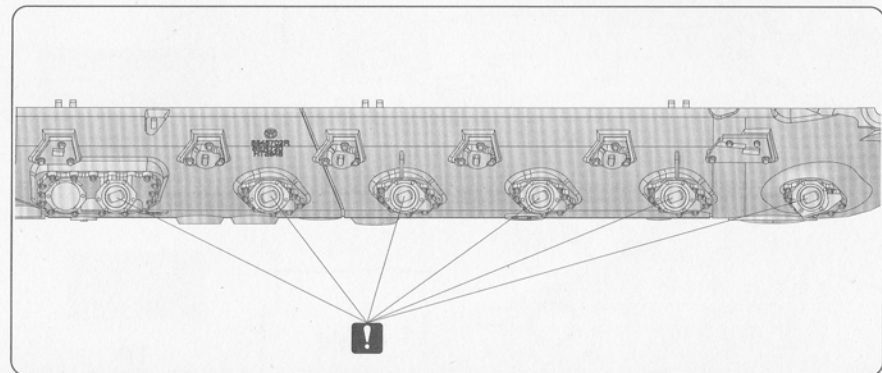
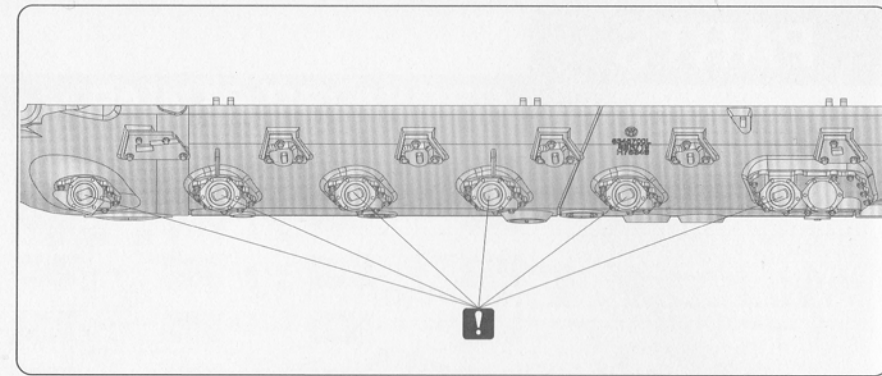
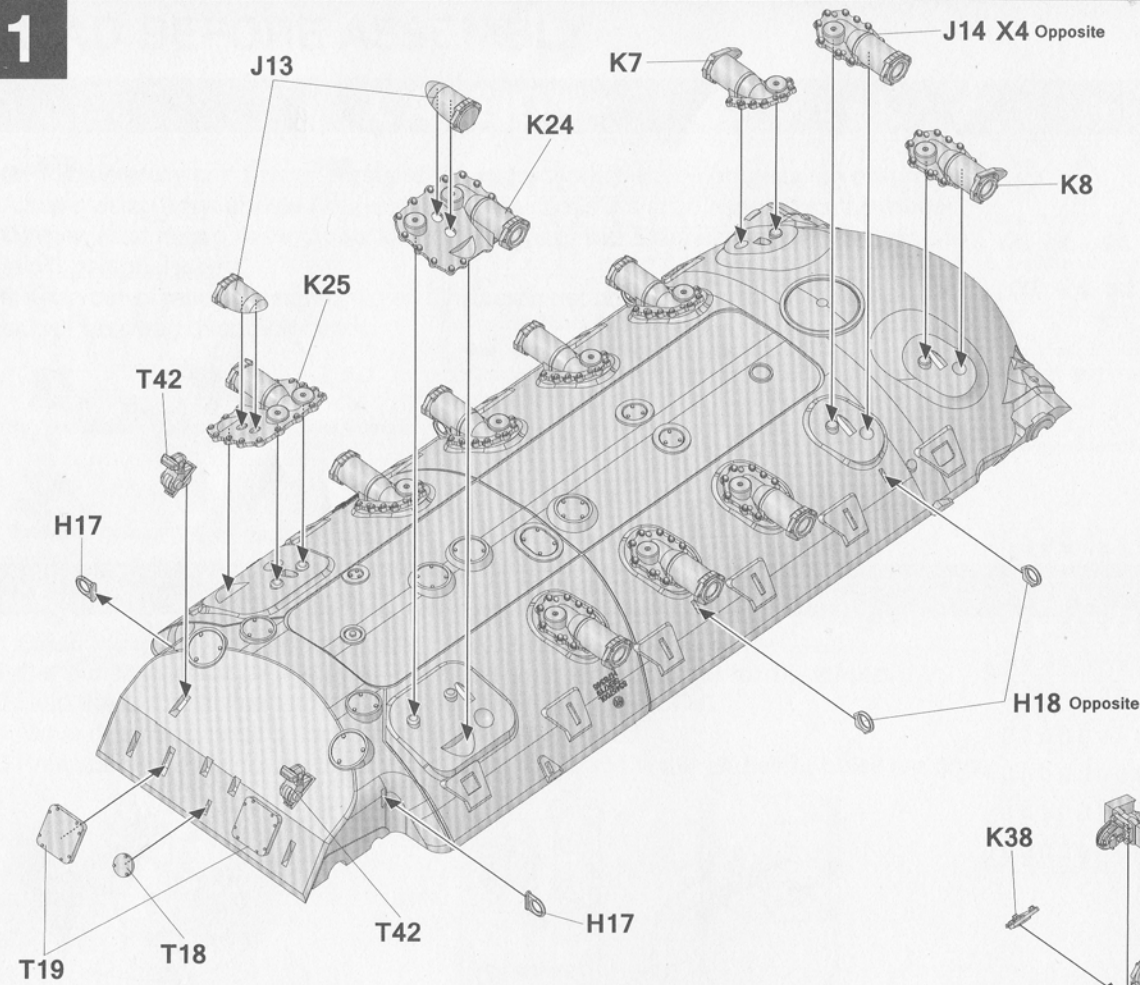
X16



TP

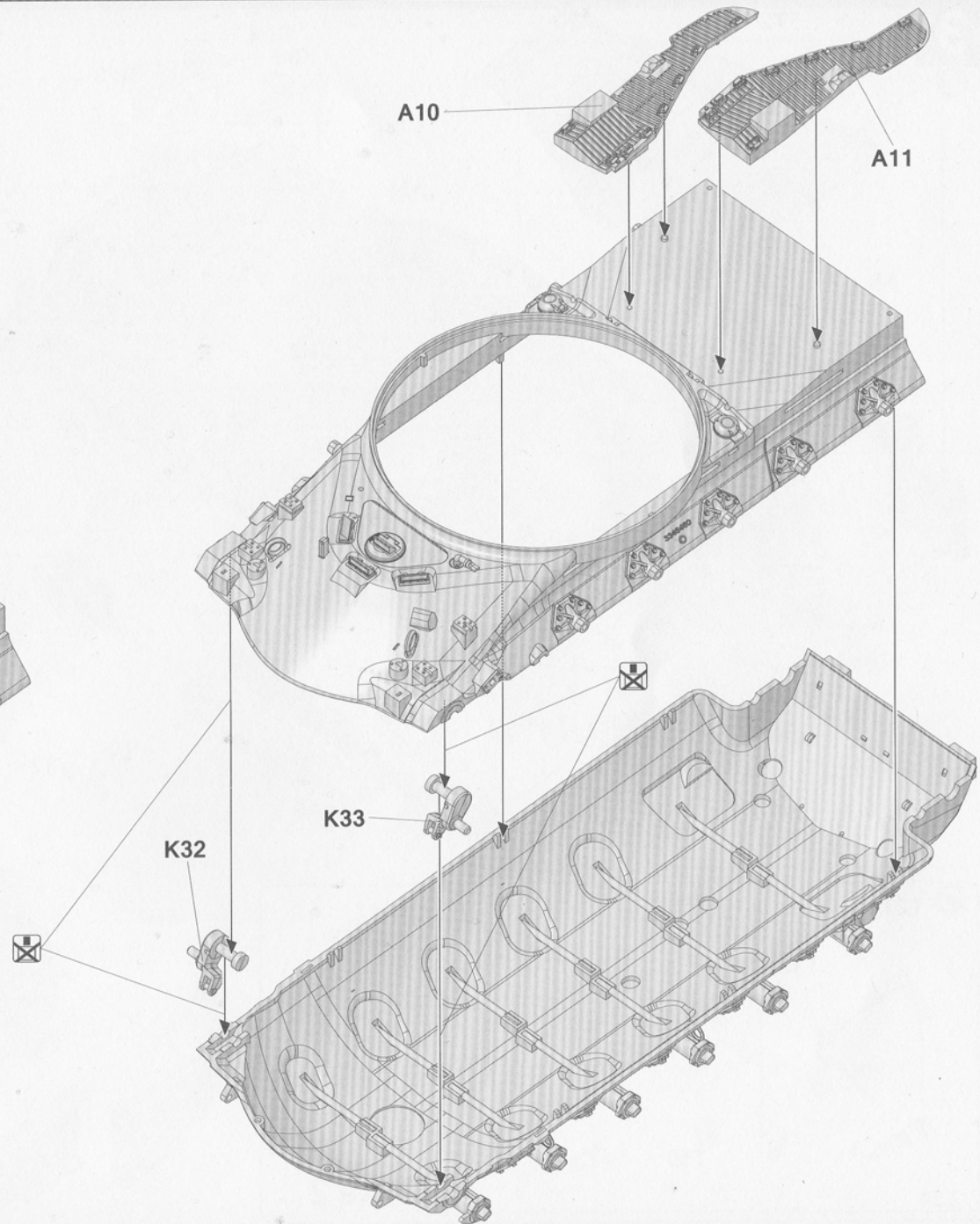
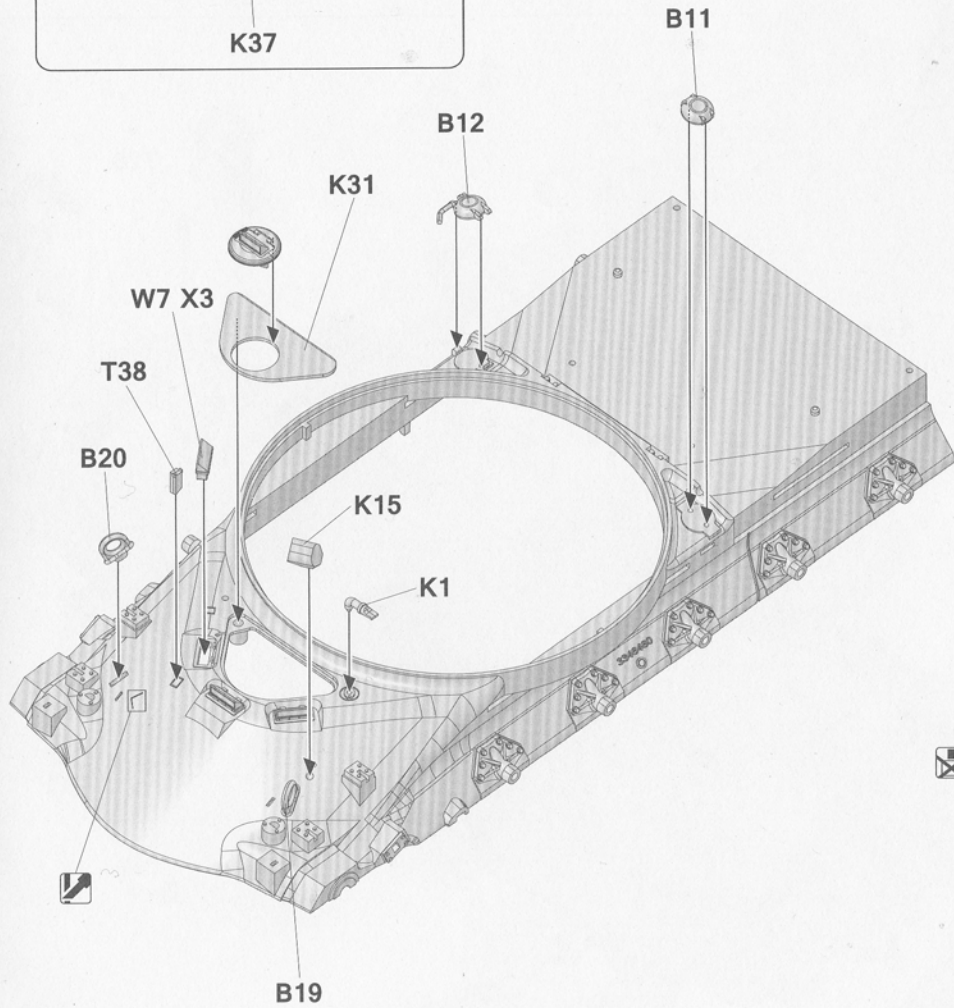
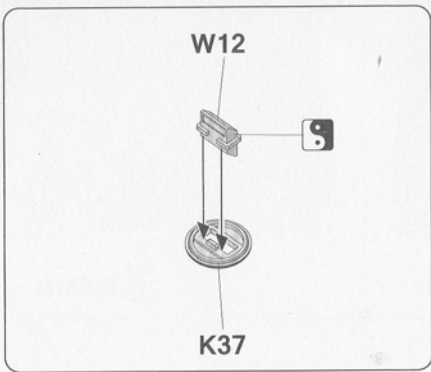
Cable

1



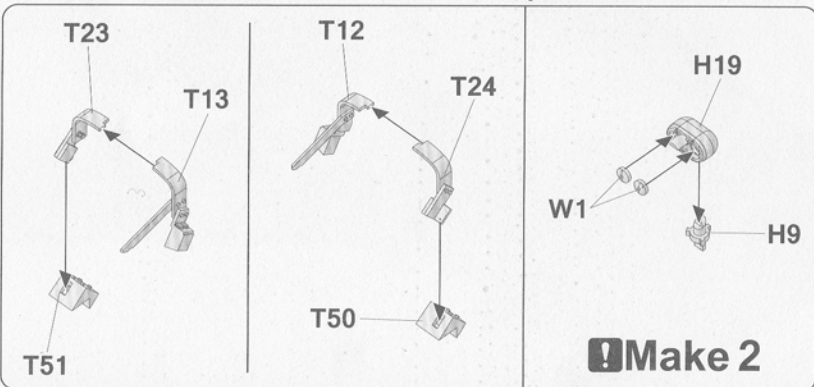
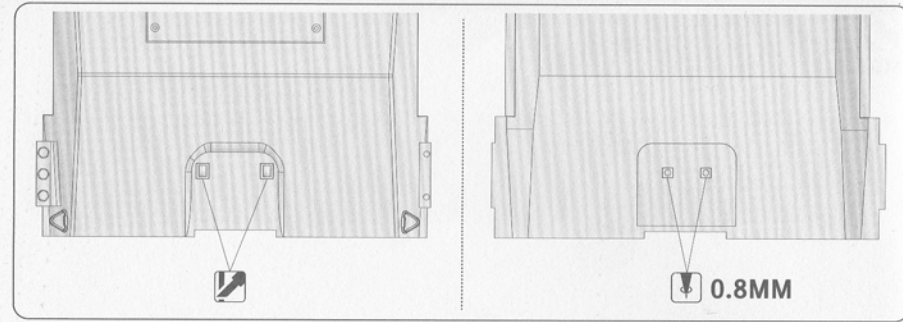
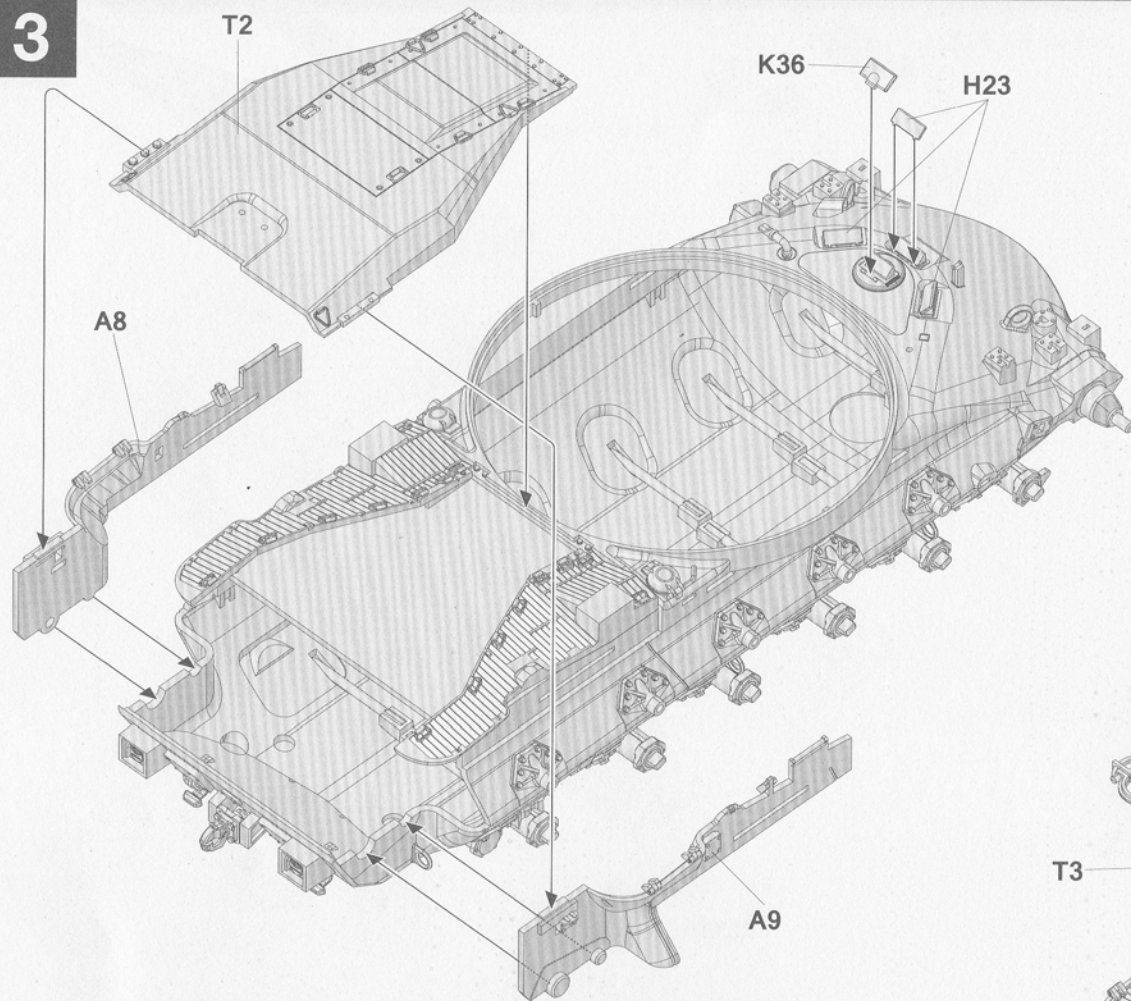
3



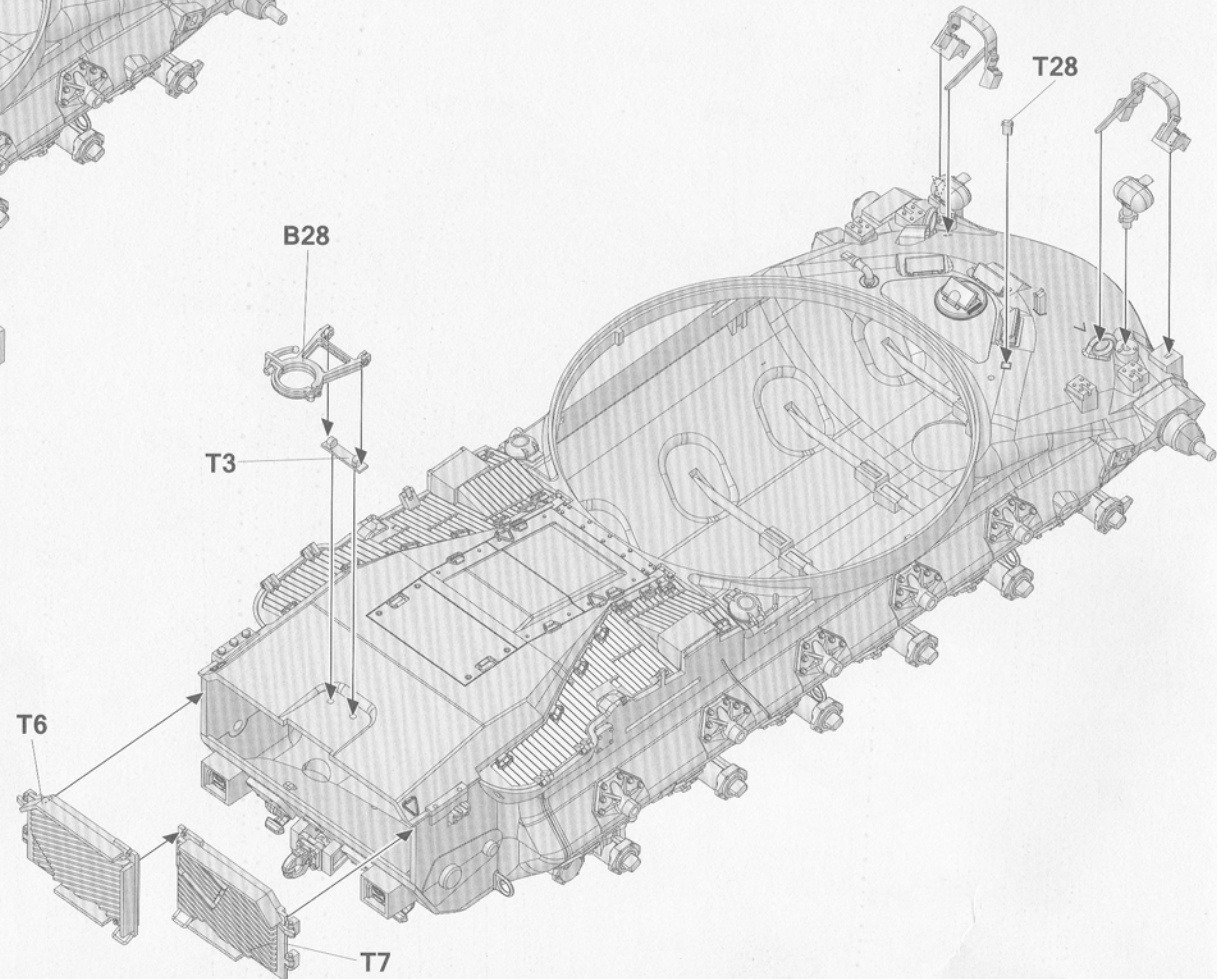




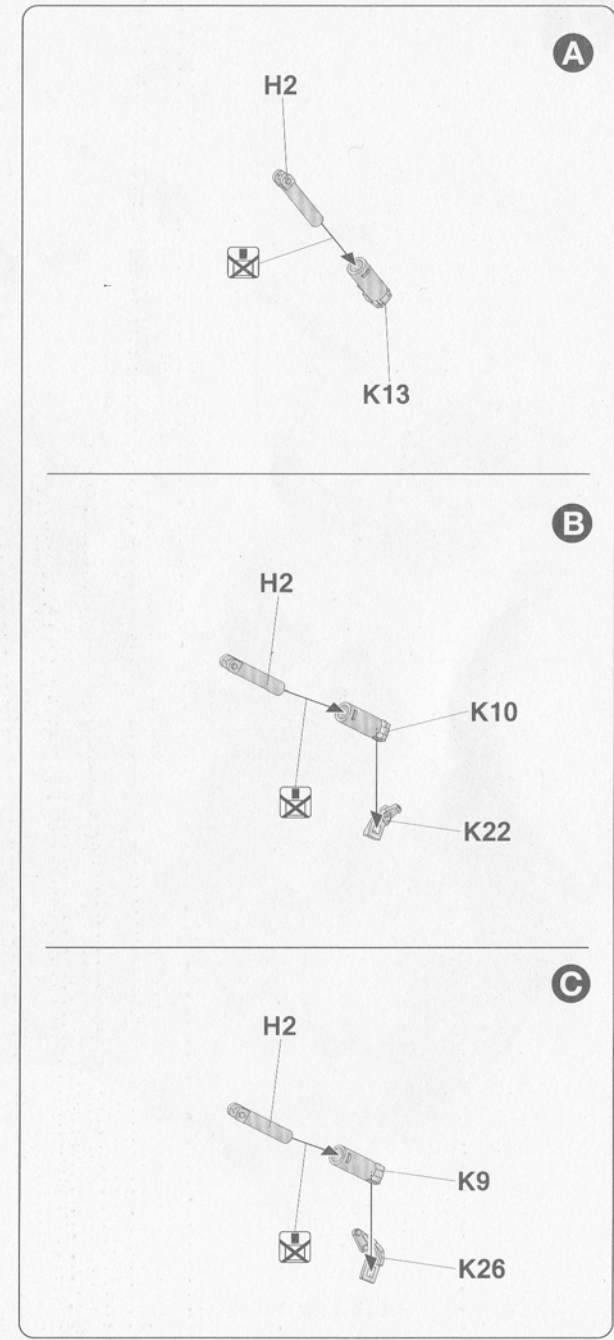
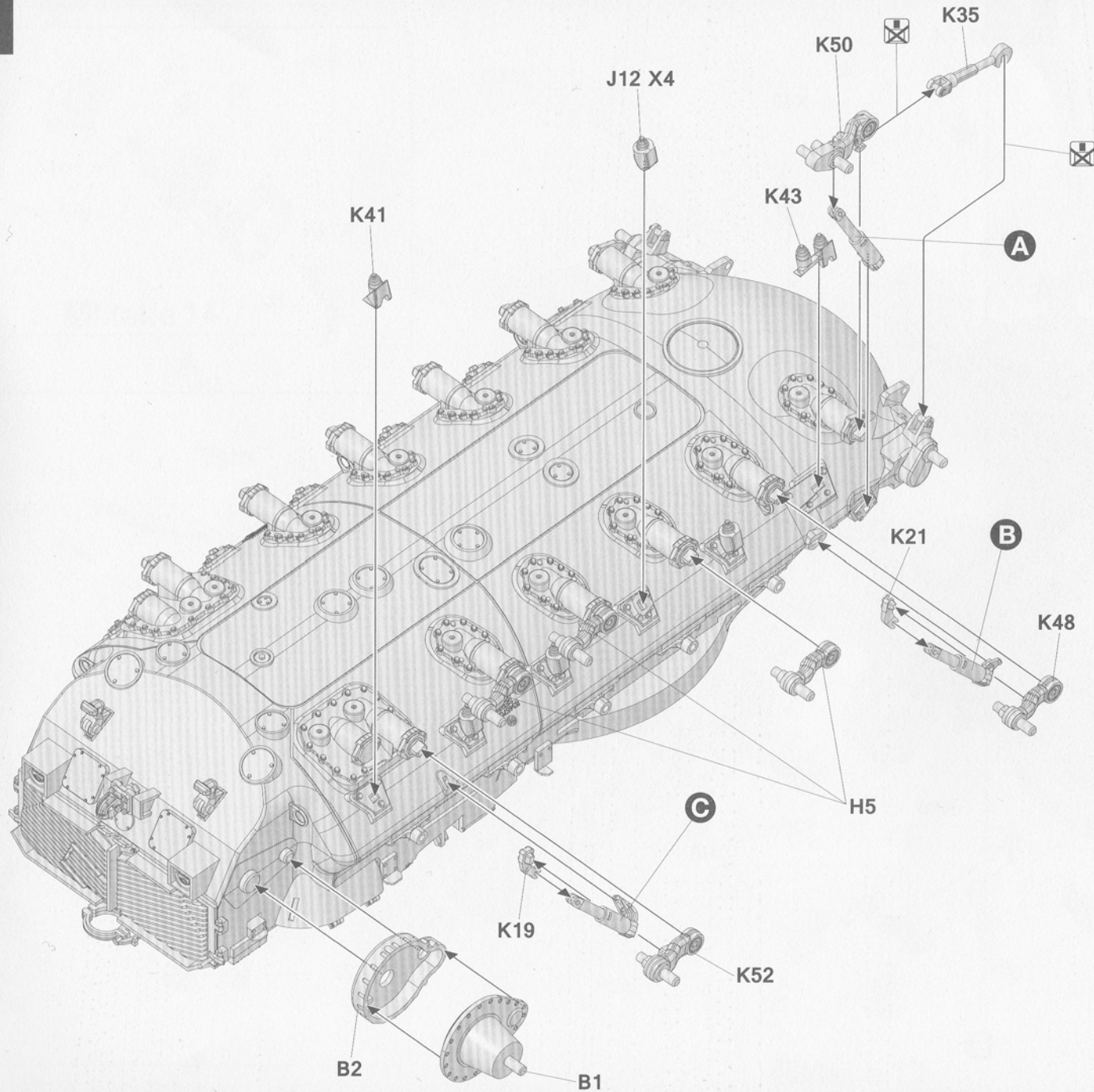
3



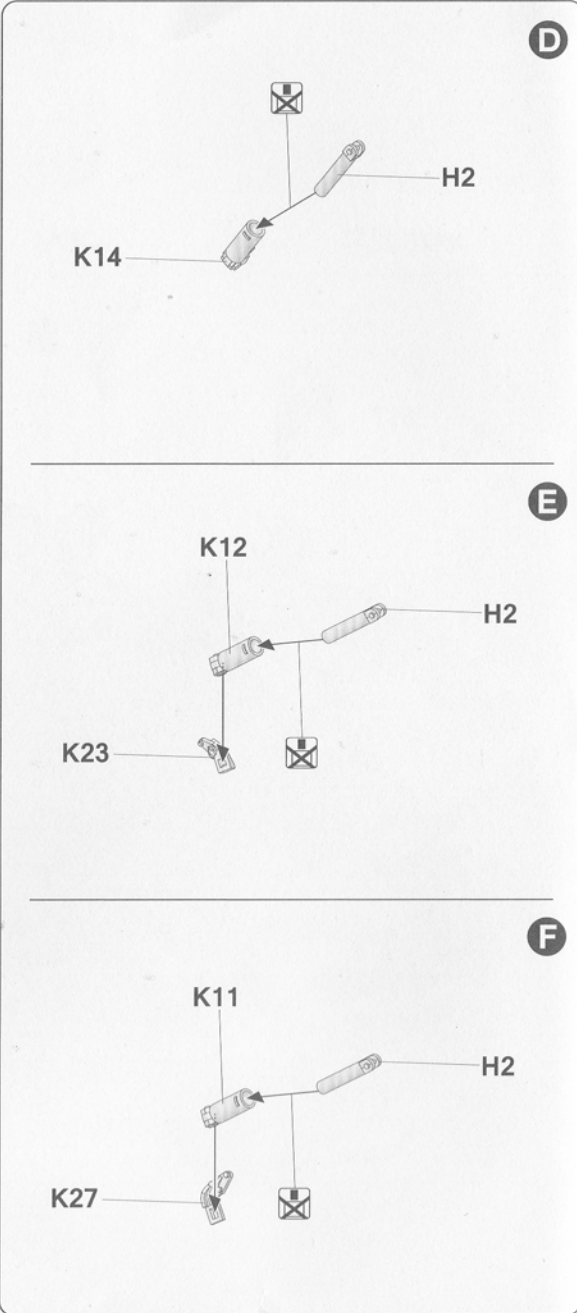
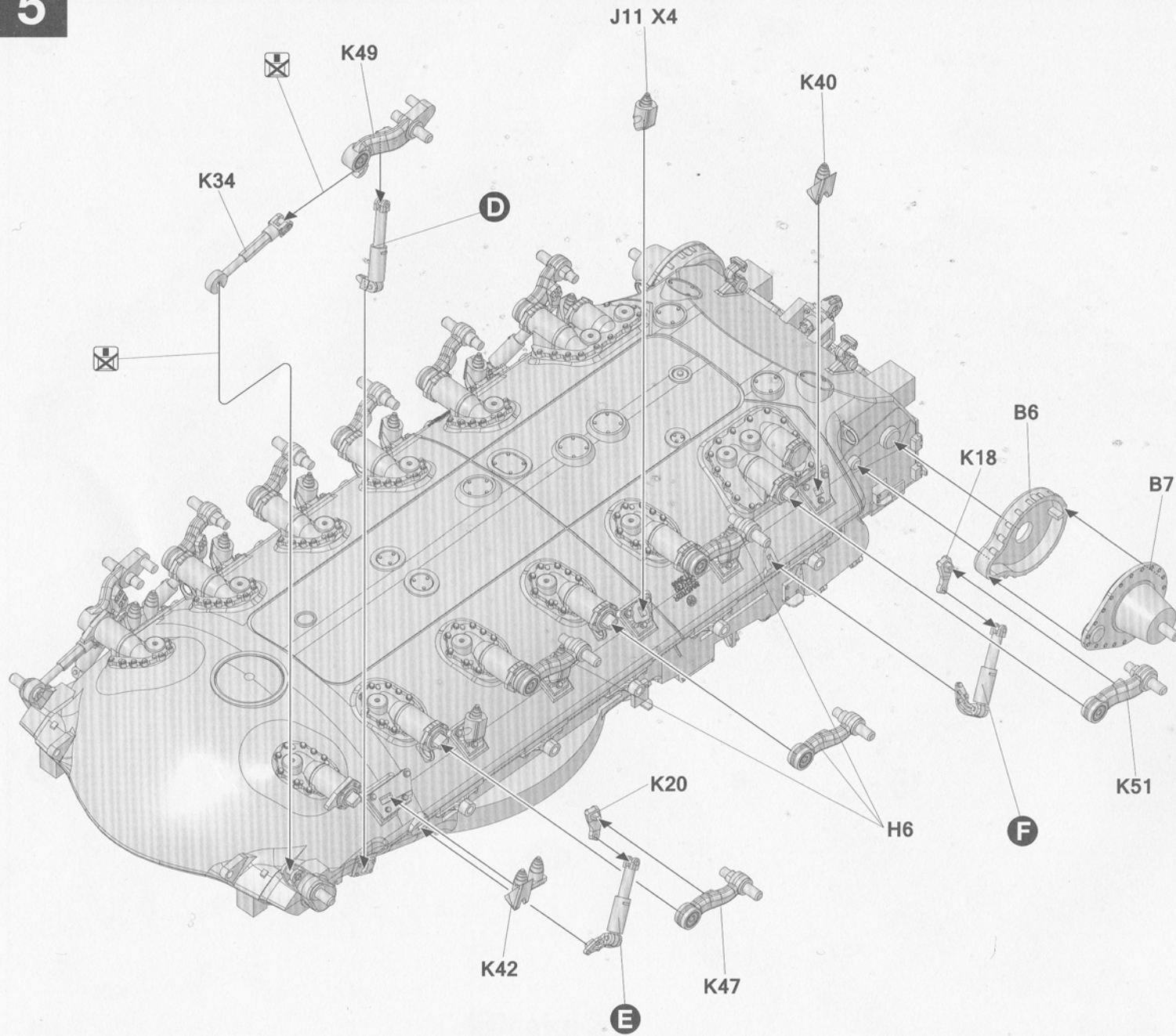
Make 2



5

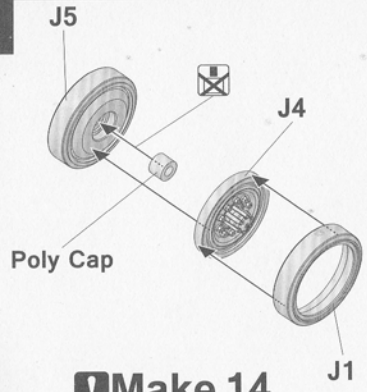




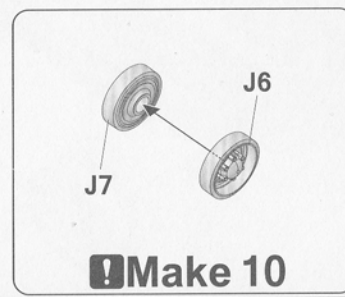
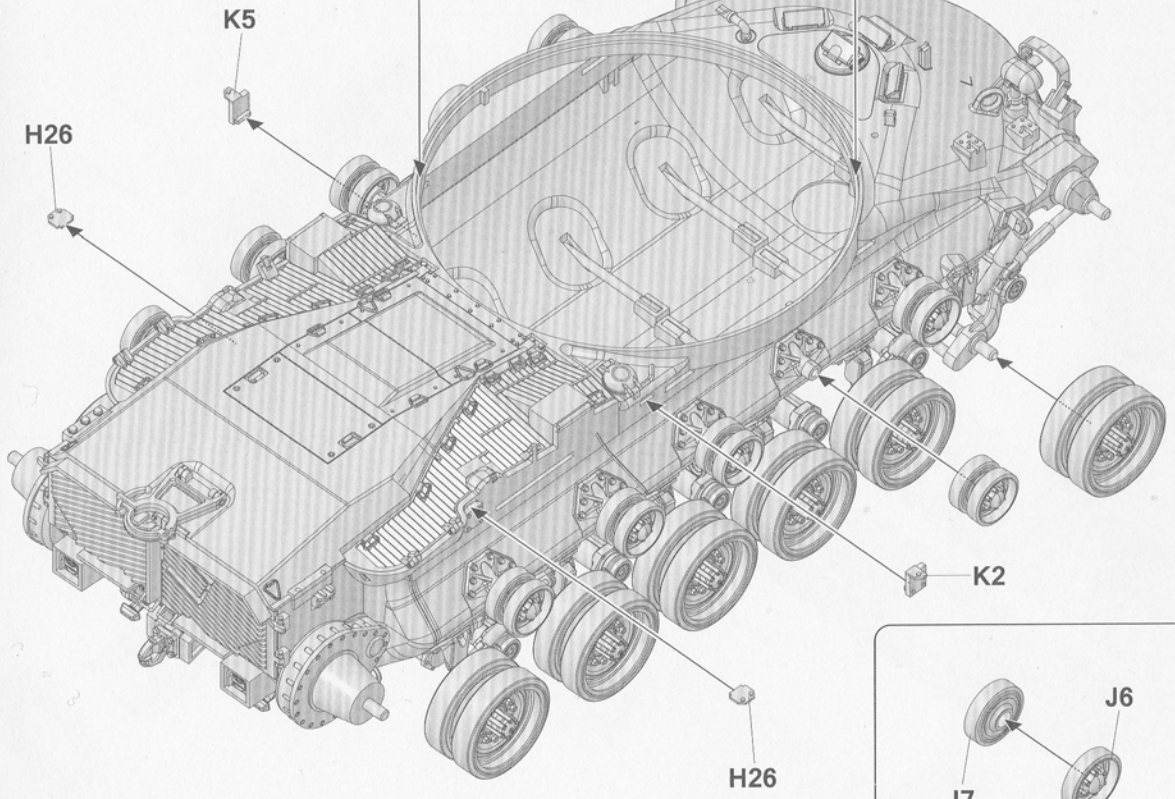
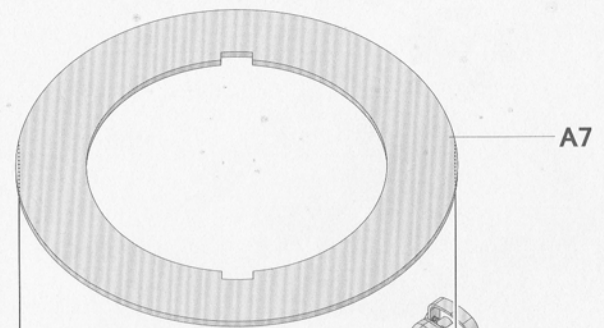




6

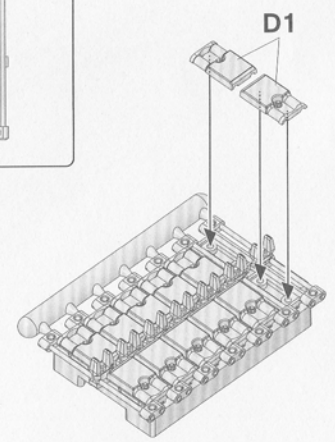
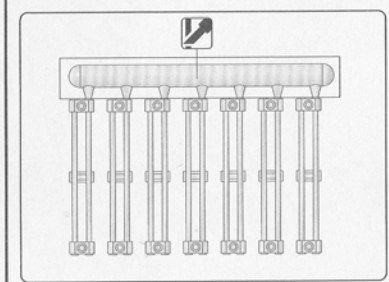
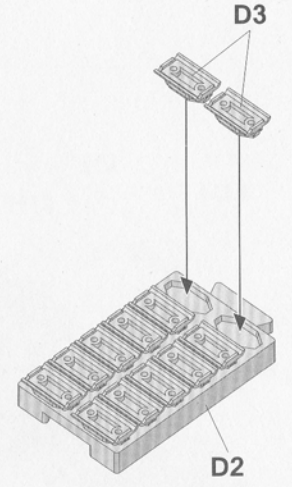
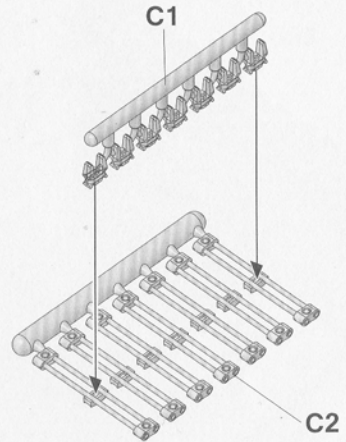
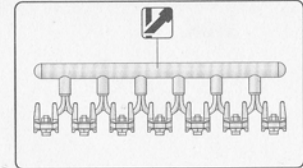


Make 14

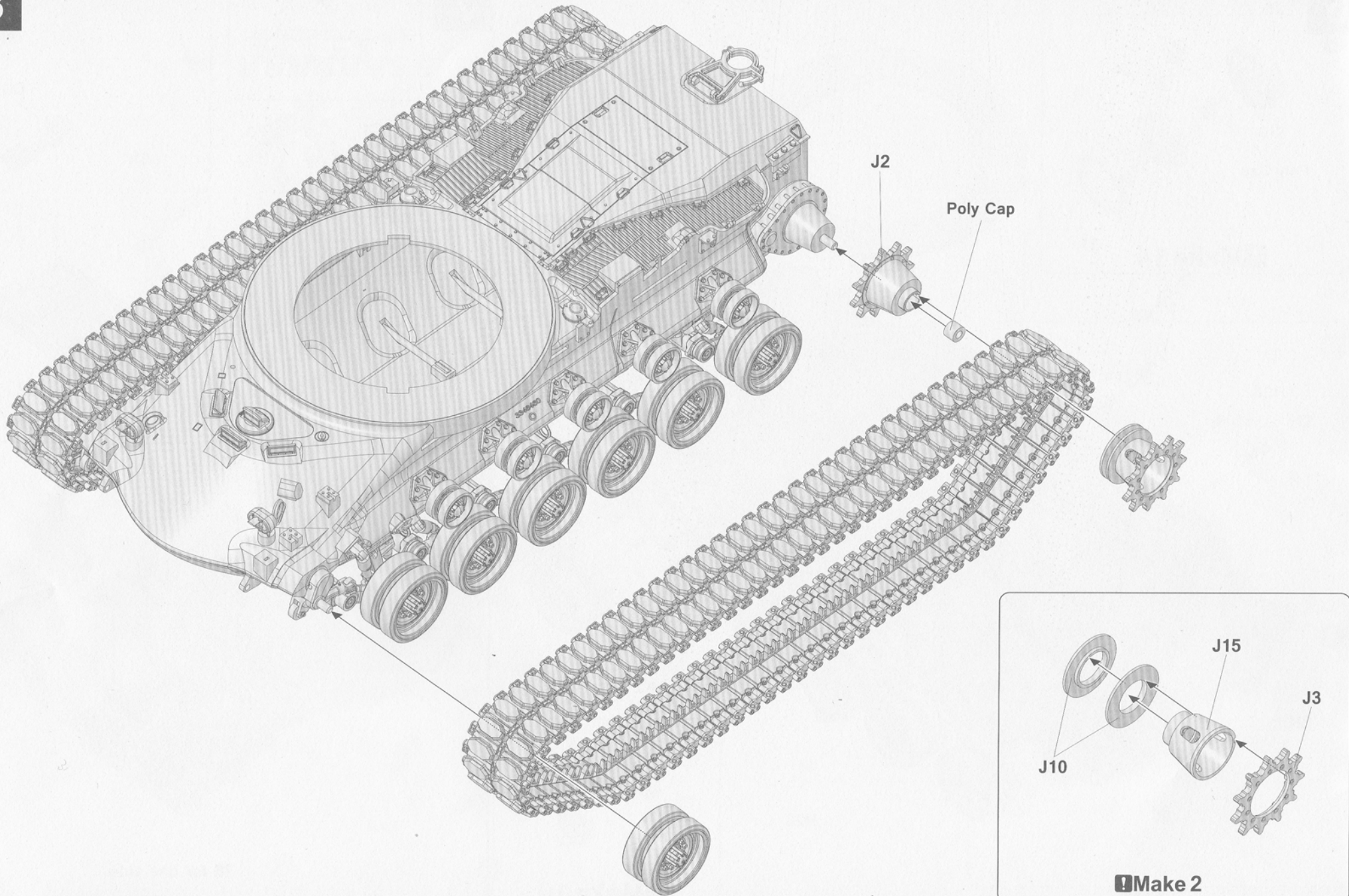


Make 10

7



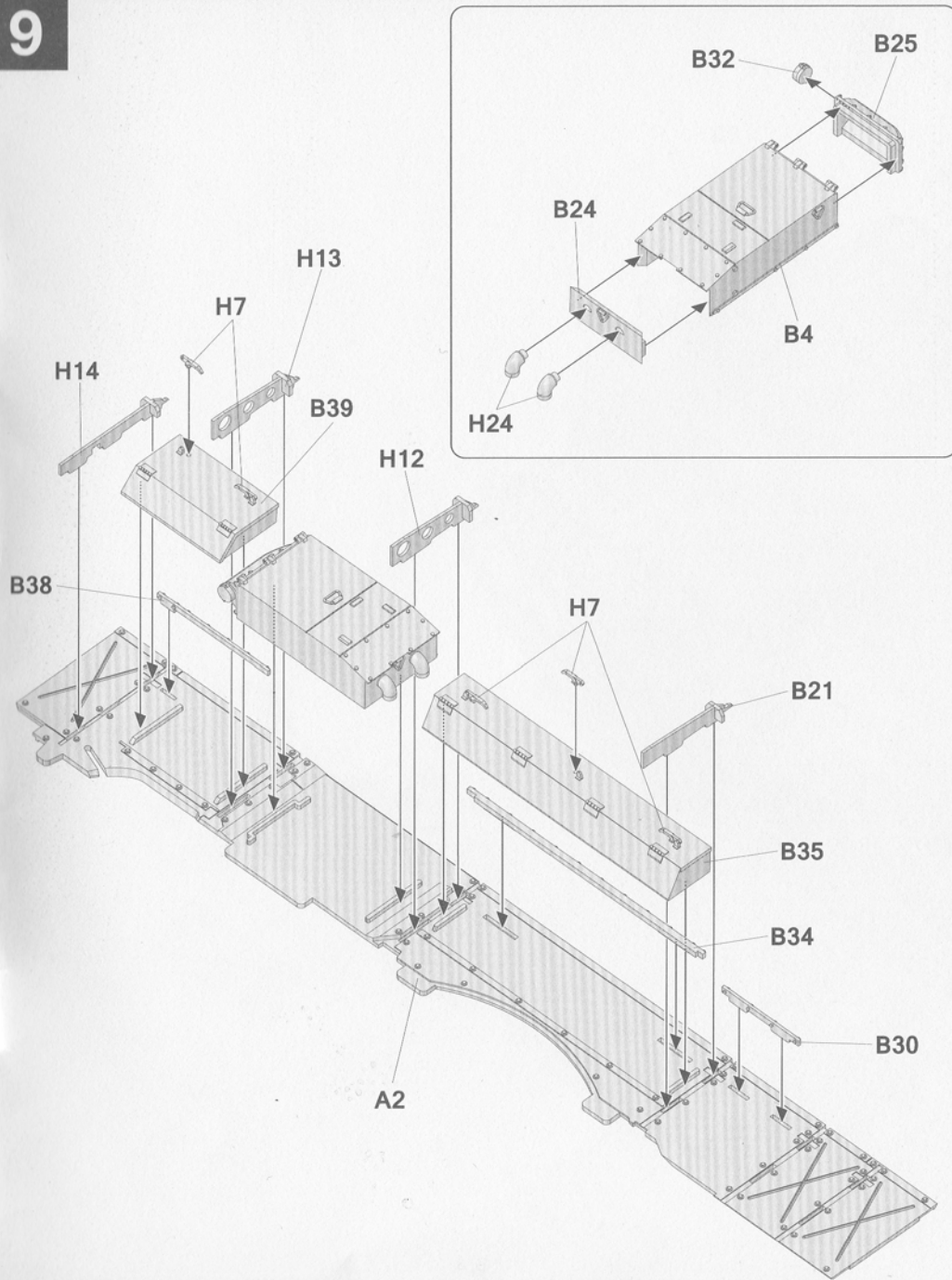
78 for one side



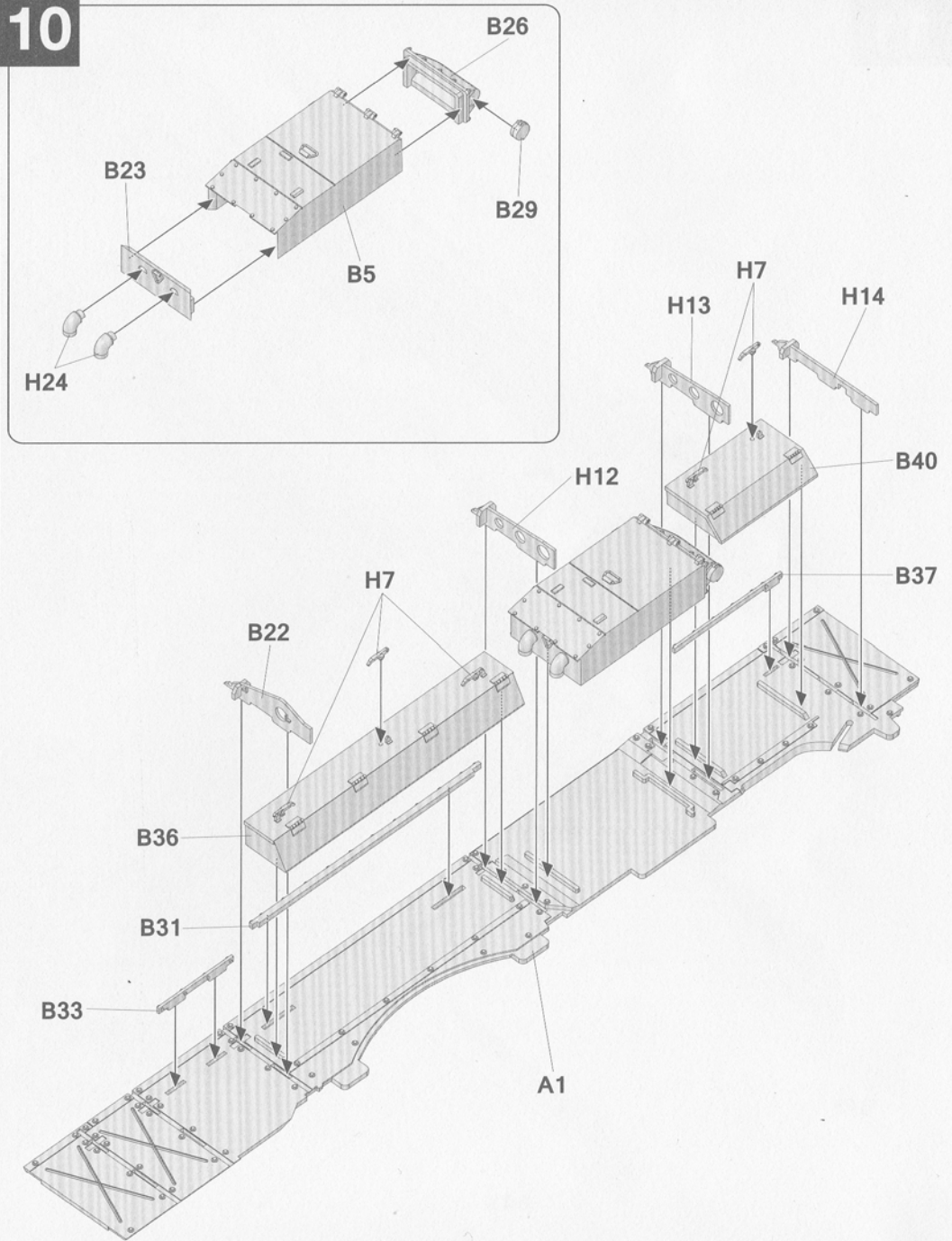
**Make 2**



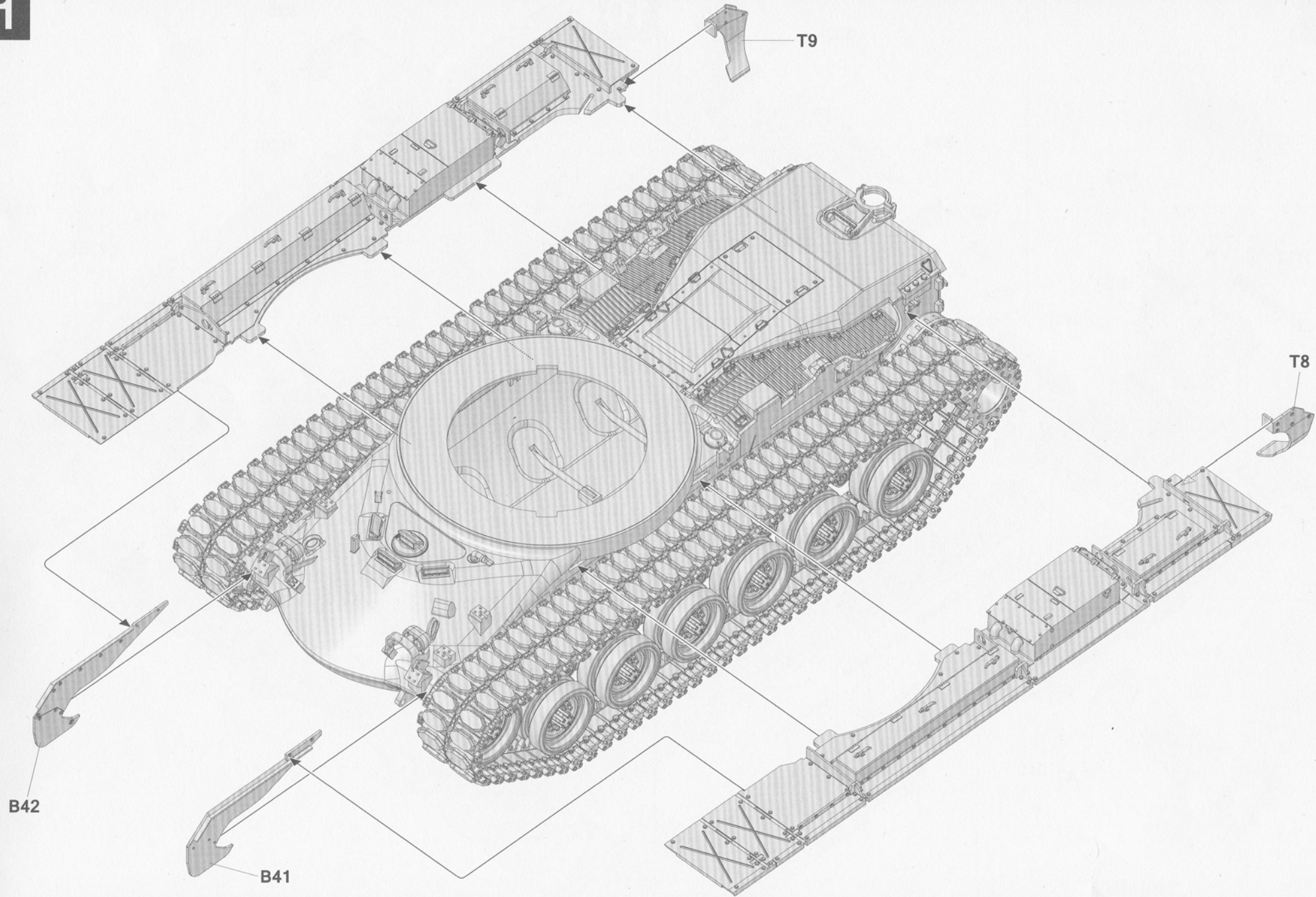
9

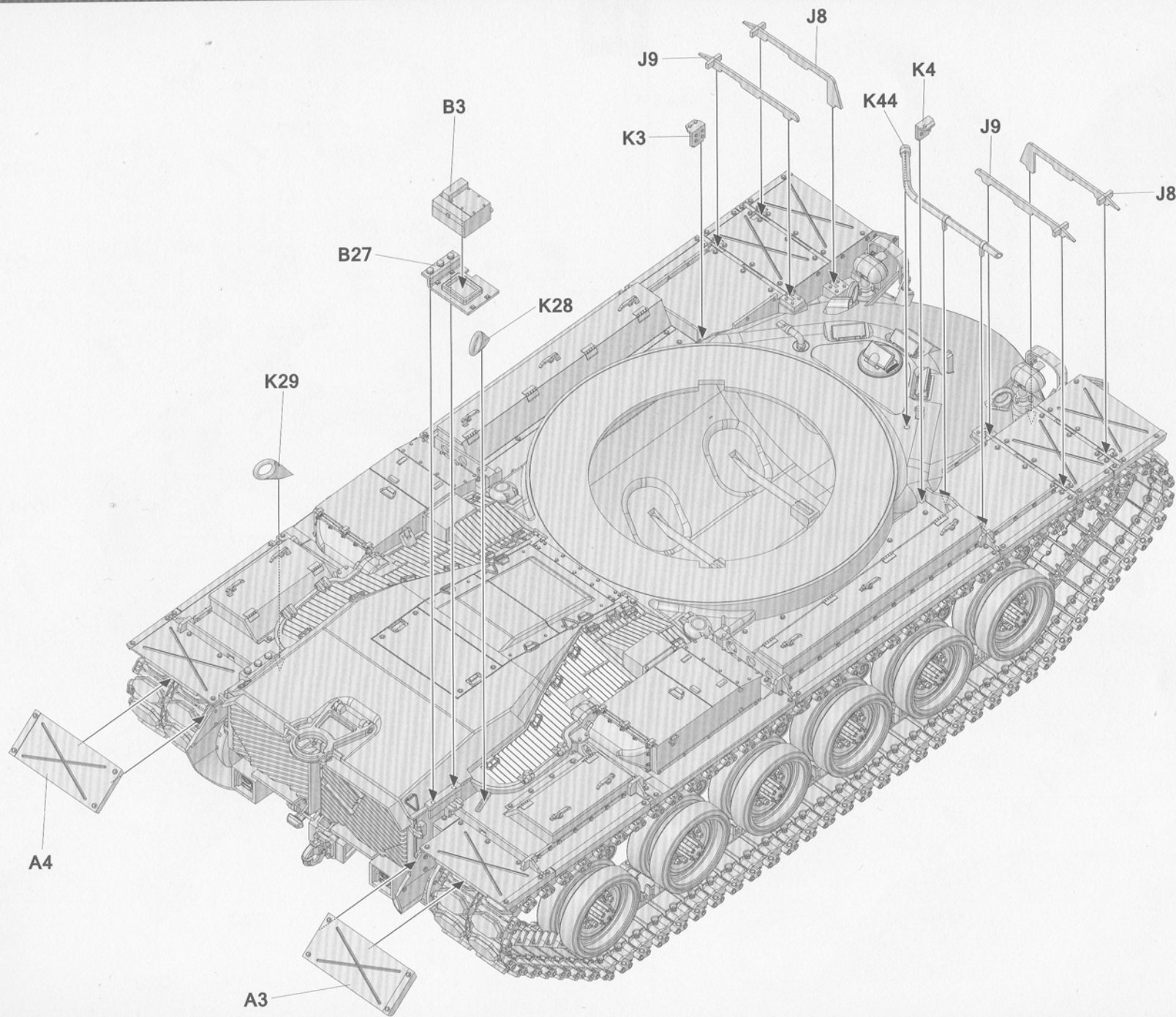


10



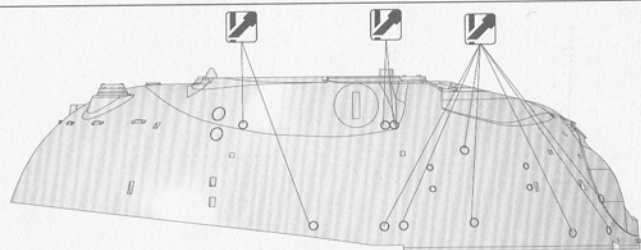
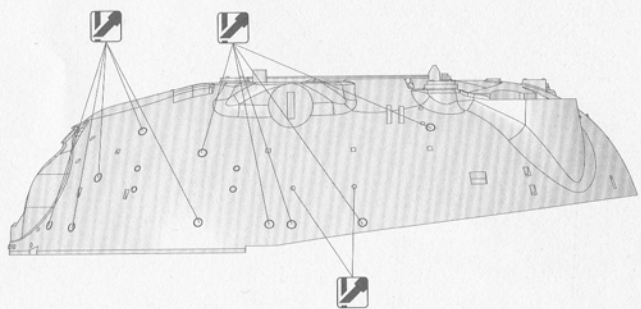
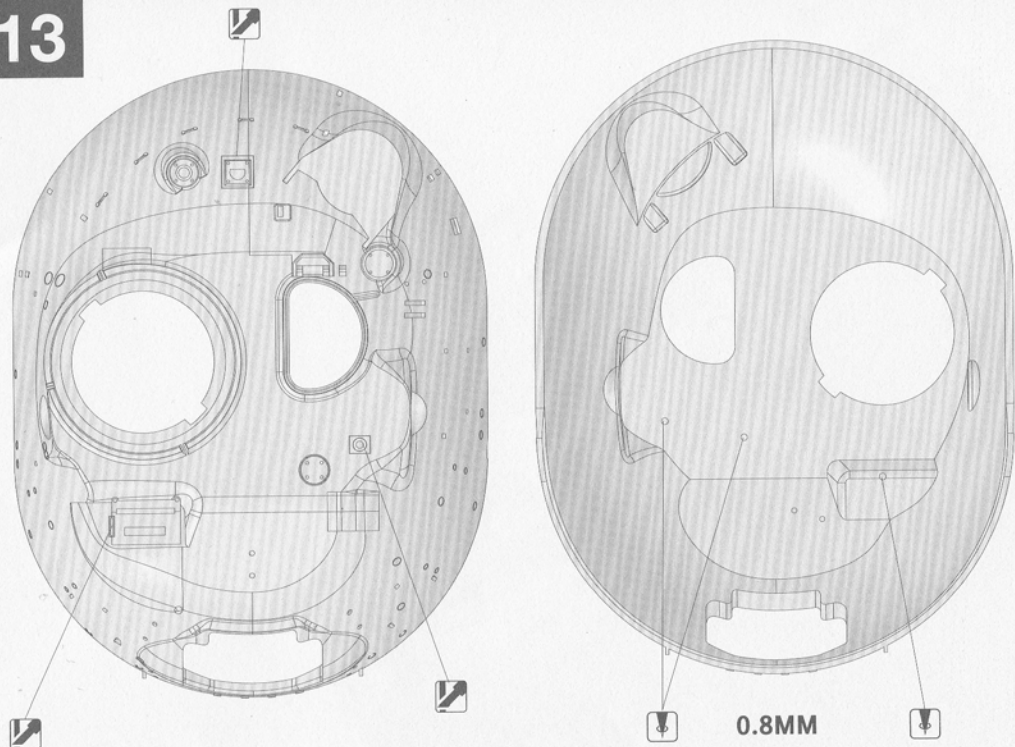




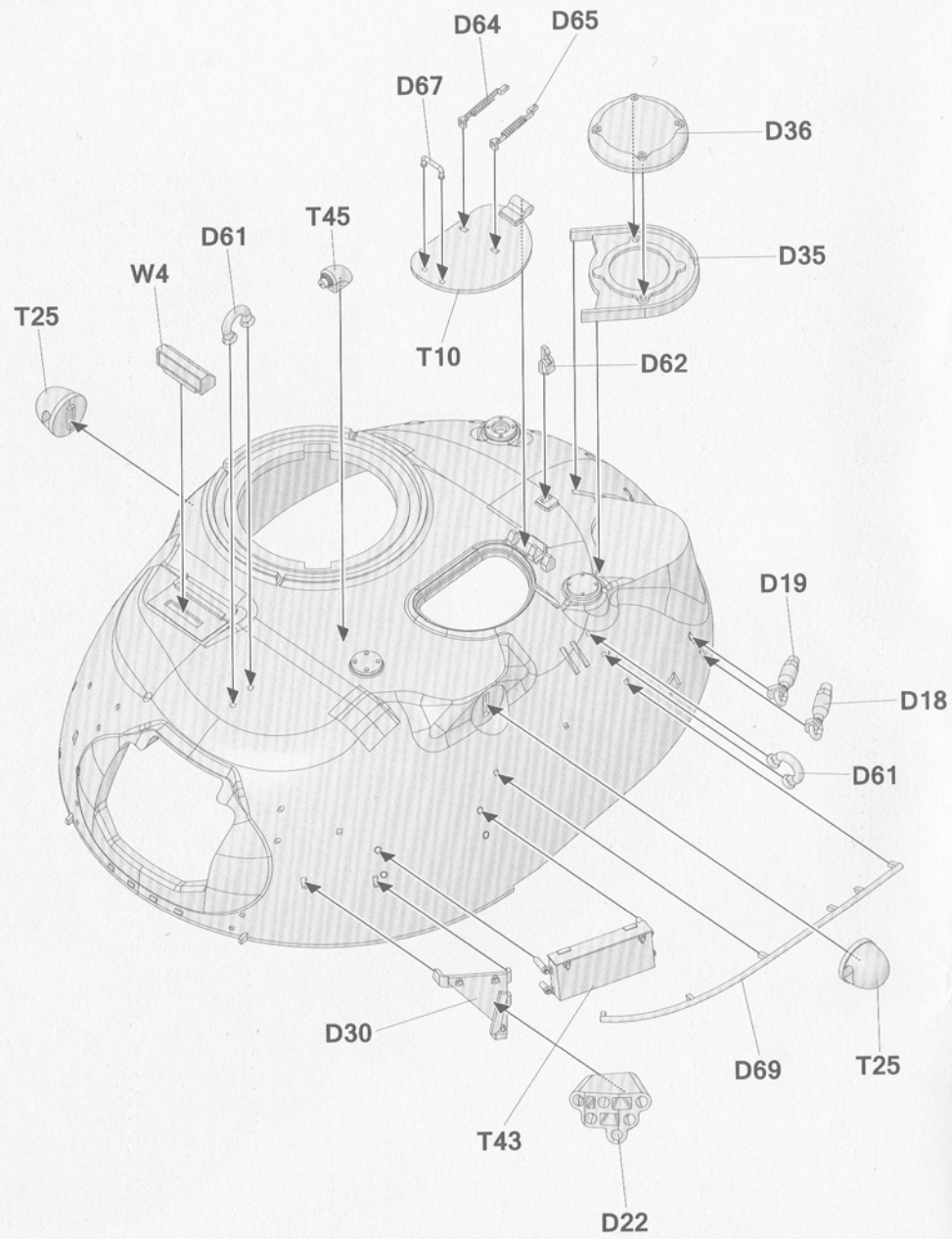




13

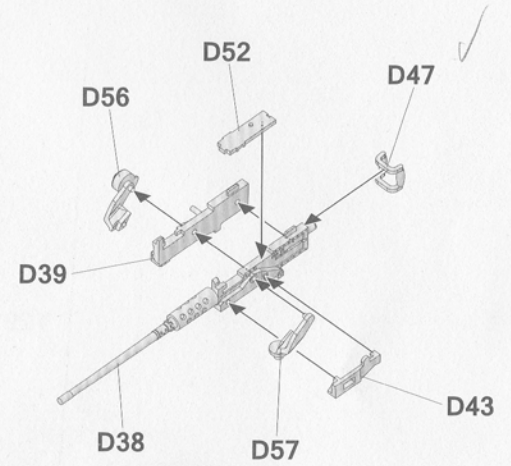
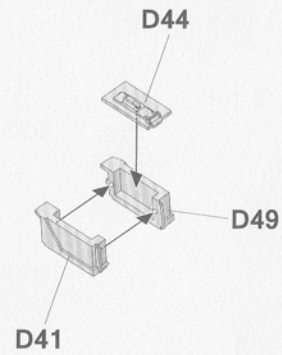
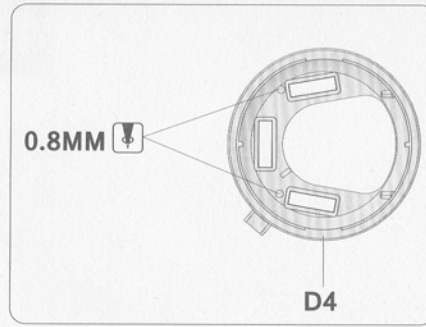
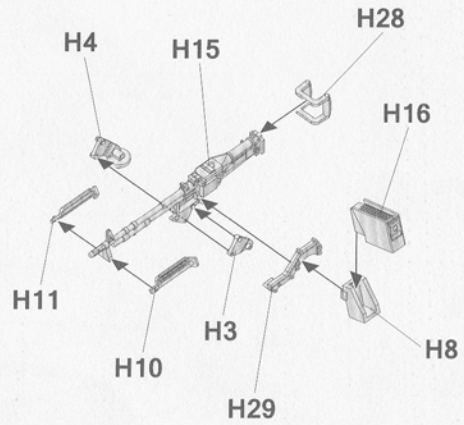
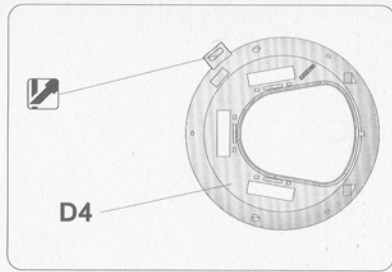
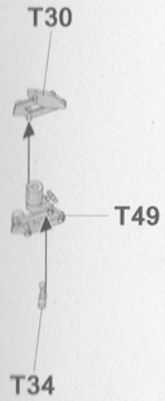


14

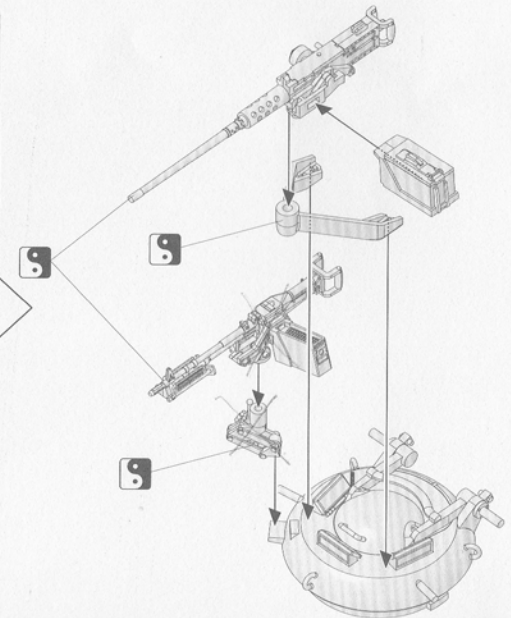
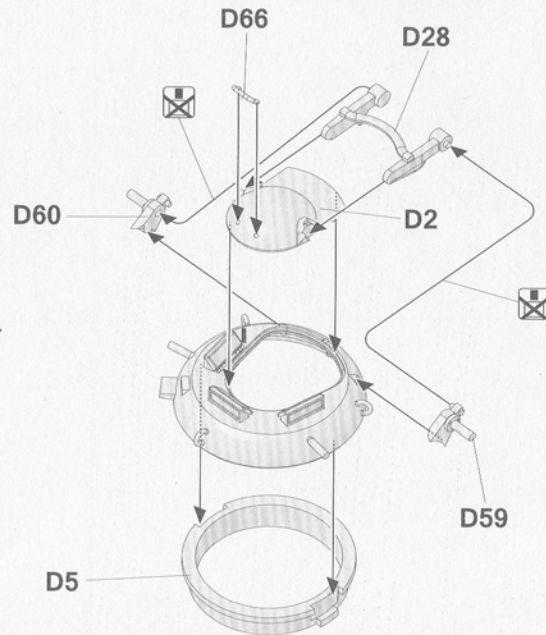
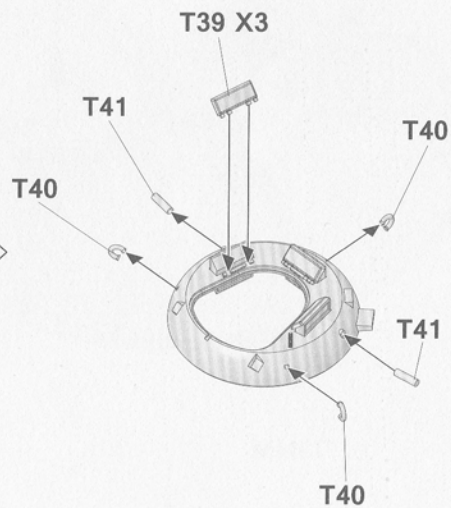
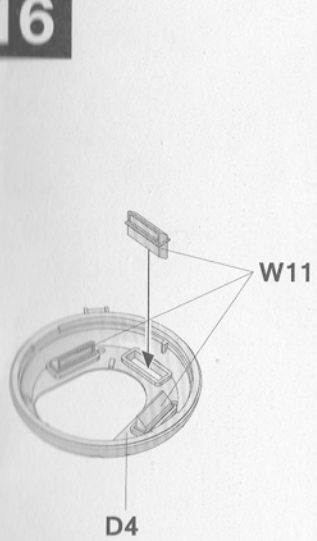




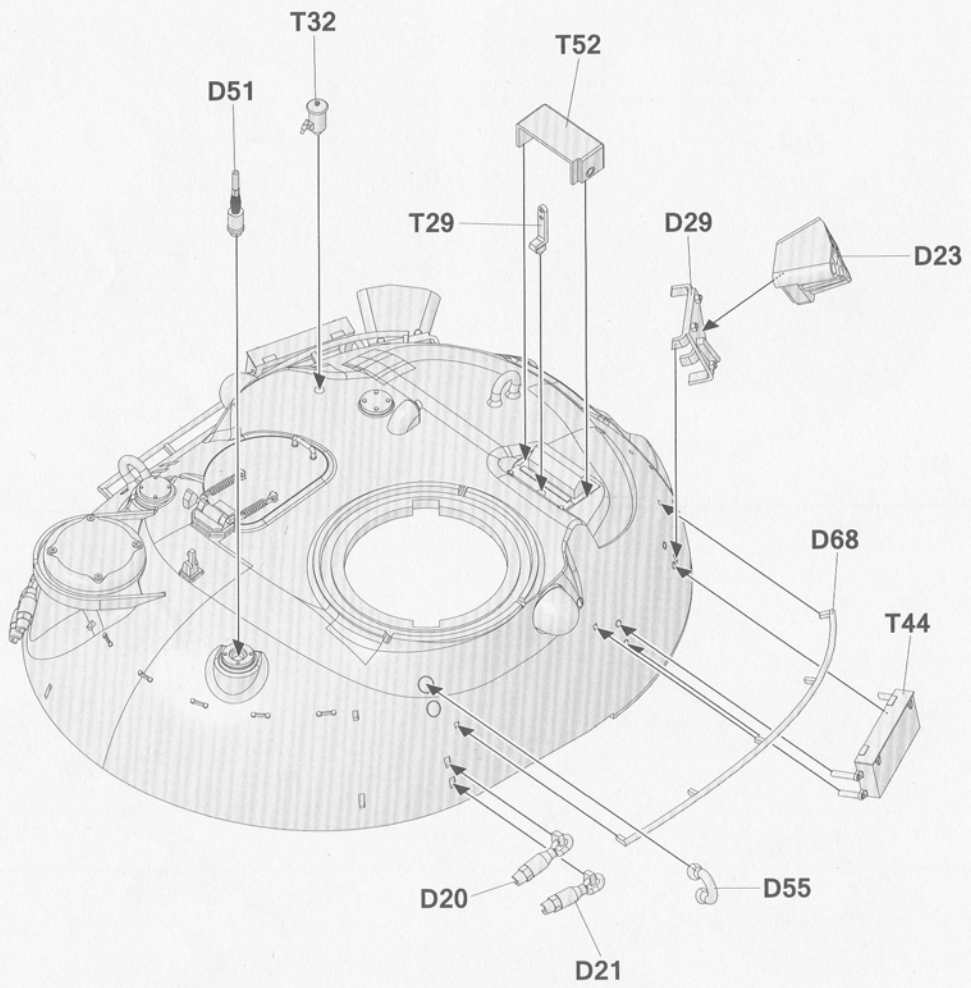
15



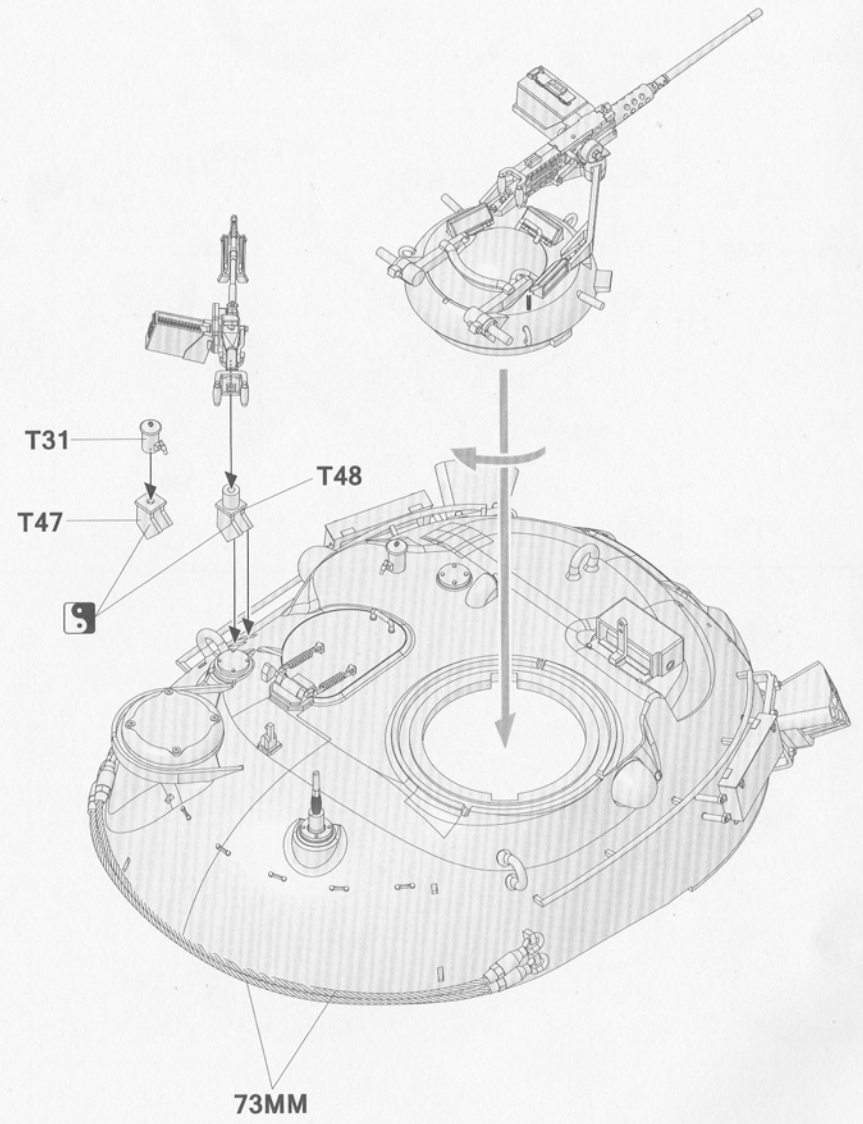
16



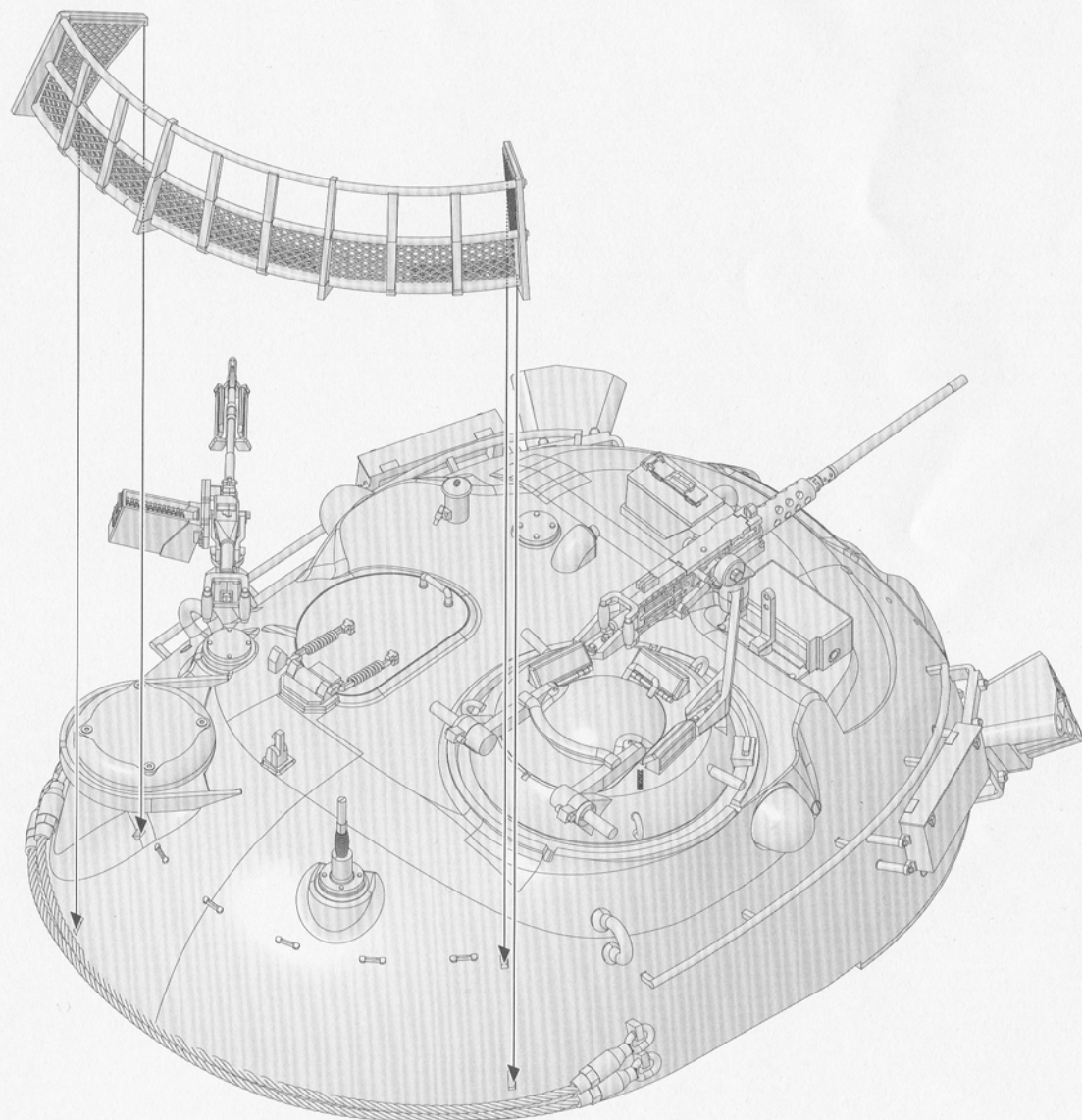
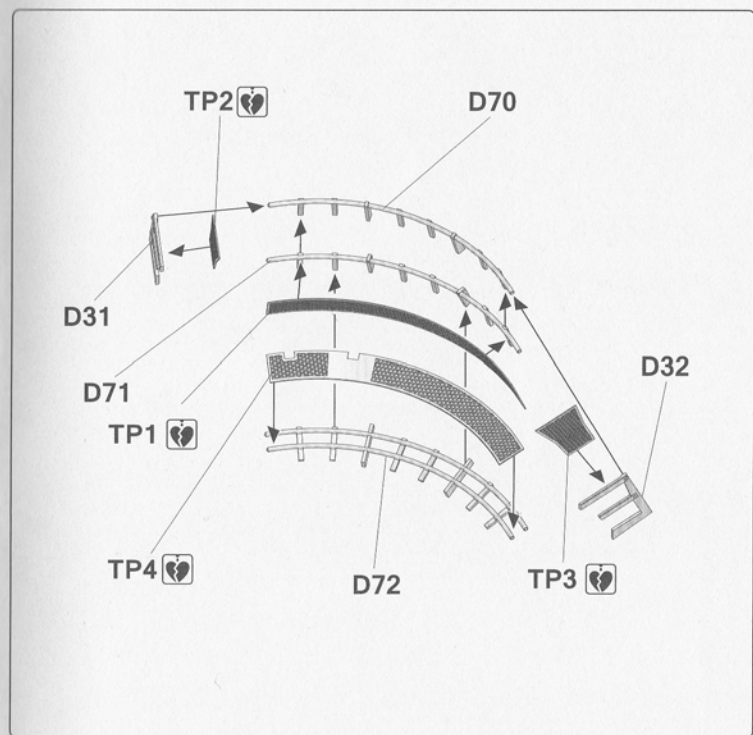
17



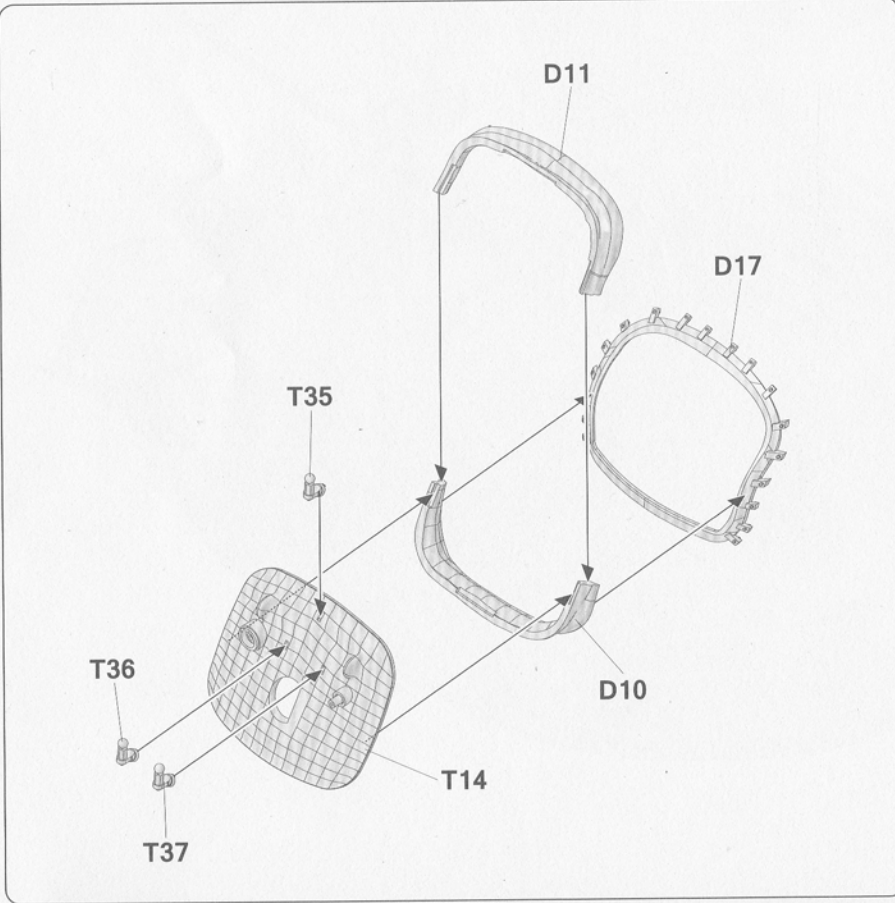
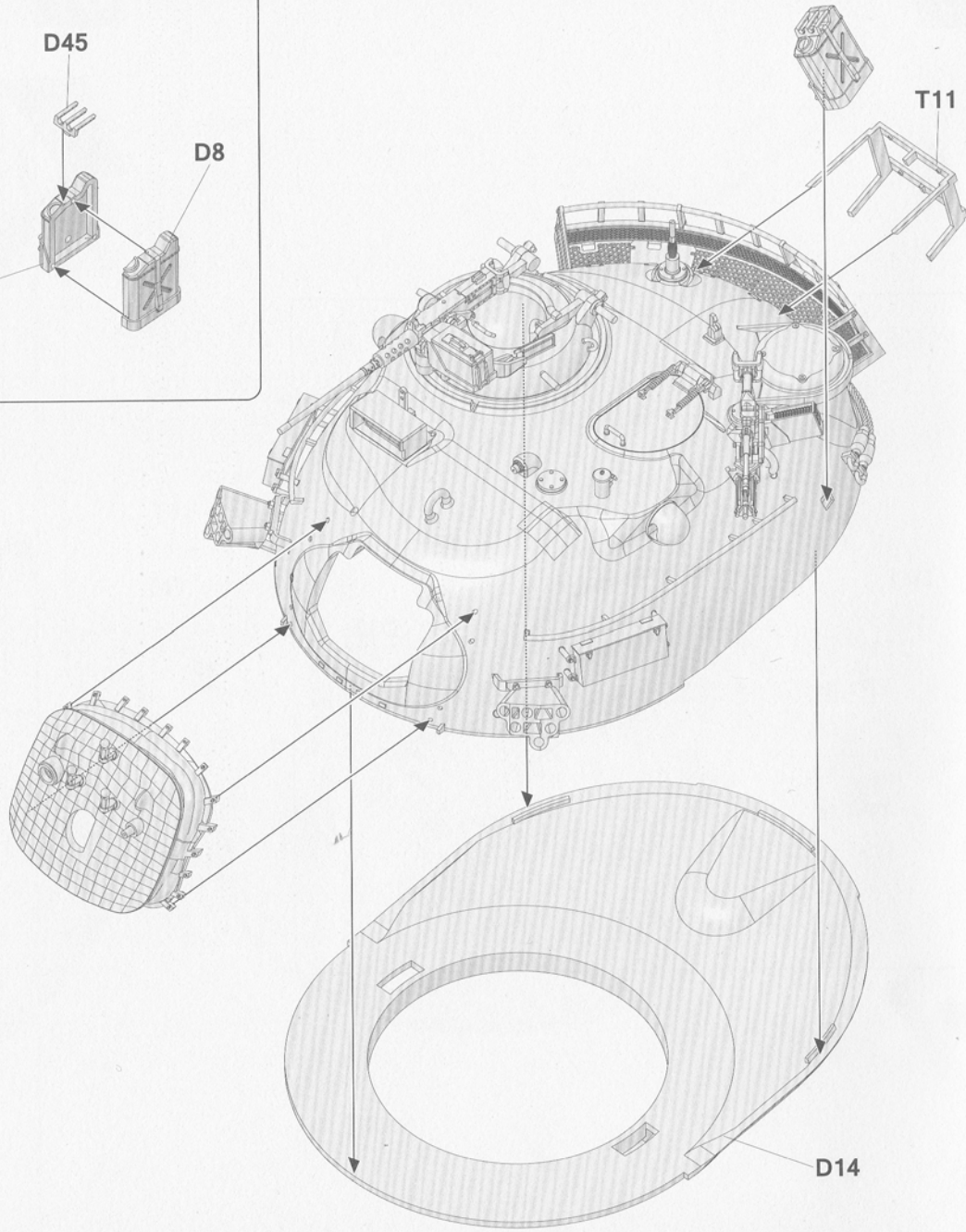
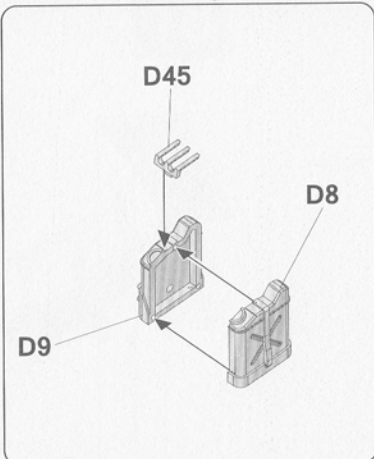
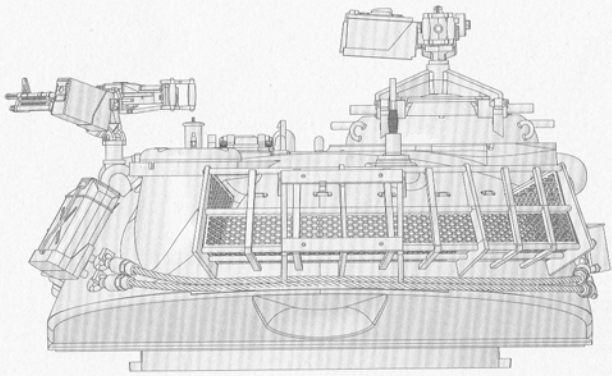
18

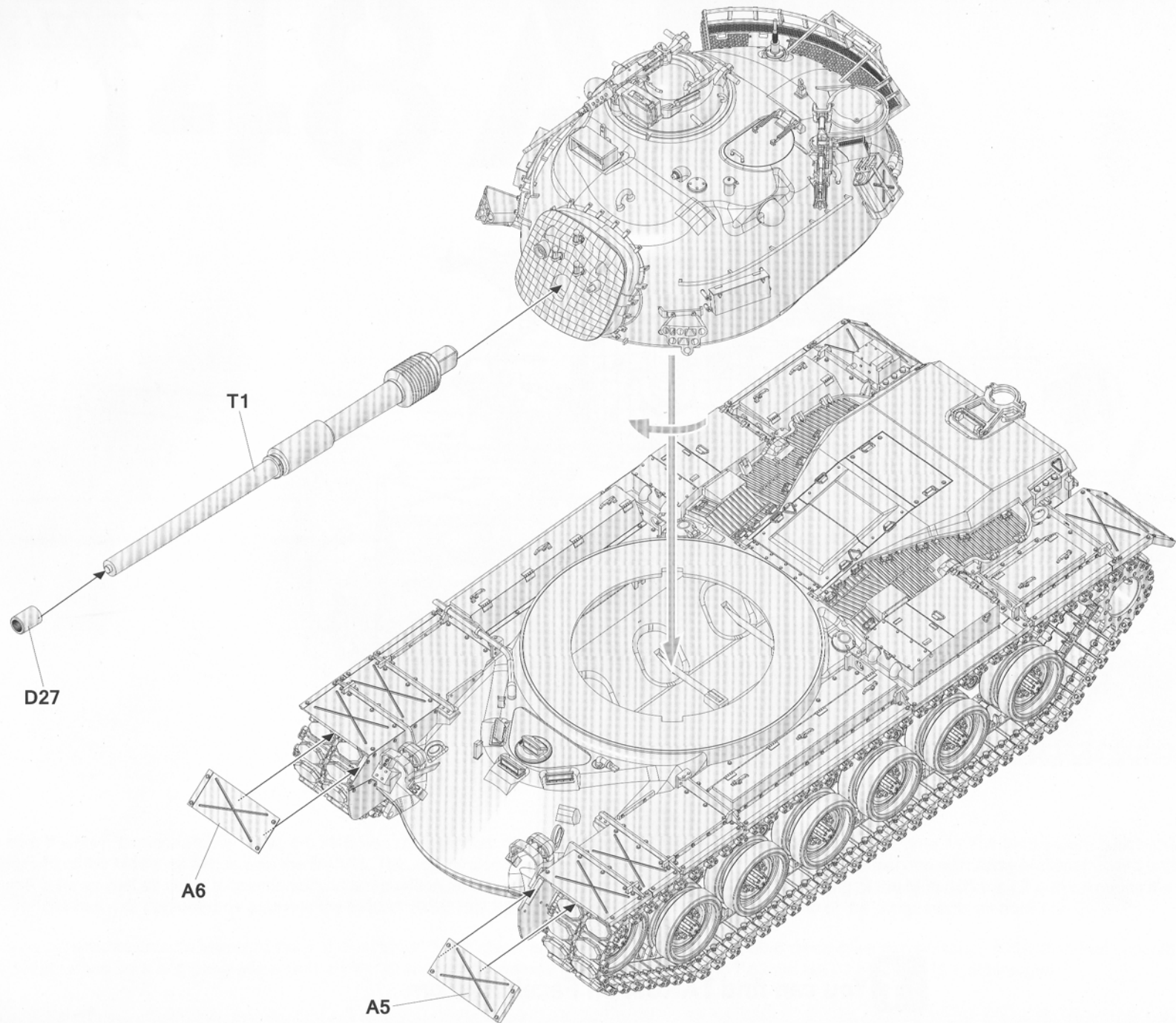


15









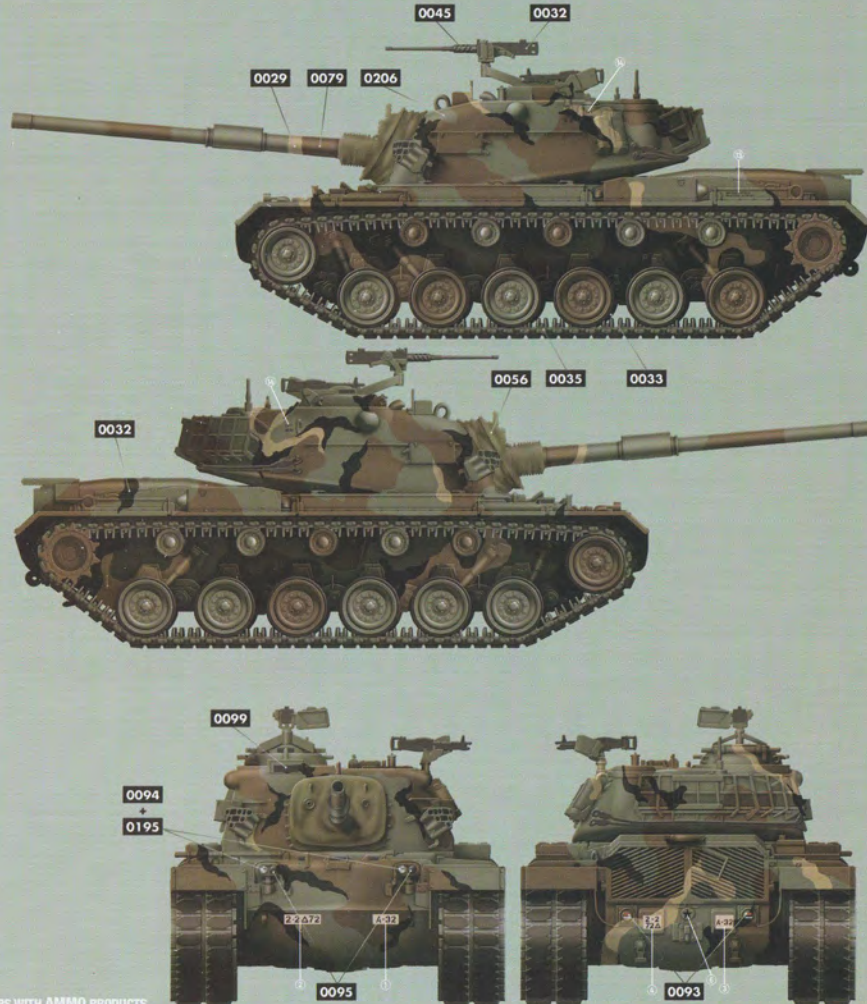


## Painting and Marking Guide

TAKOM Nº: 2161

M48A5, A Company, 2nd Battalion, 72nd  
Armor, Camp Casey Republic of South Korea,  
June 1984

A.MIG-0029 Desert Sand	A.MIG-0032 Sable Black	A.MIG-0033 Rubber & Tire	A.MIG-0035 Dark Tracks	A.MIG-0045 Gun Metal
A.MIG-0056 Green Khaki	A.MIG-0067 Sand Grey	A.MIG-0079 Clay Brown	A.MIG-0083 Crystal Red	A.MIG-0084 Crystal Glass
A.MIG-0095 Crystal Smoke	A.MIG-0098 Crystal Black Blue	A.MIG-0195 Silver	A.MIG-0206 RLM 81 - FS 34079 - 35041	



### WEATHERING STEPS WITH AMMO PRODUCTS

<b>1 GENERAL WASH</b> A.MIG-1005 Dark Brown Wash for Green vehicles	<b>4 DIRT SHADING</b> A.MIG-0853 Dirt Shader	<b>7 RAINMARKS</b> A.MIG-1258 Streakingbrusher Dust	<b>10 MUD</b> A.MIG-1704 Heavy Earth	<b>12 FUEL</b> A.MIG-1409 Fuel Stains
<b>2 FILTER</b> A.MIG-0824 Tan	<b>5 DETAILS HIGHLIGHT</b> A.MIG-0617 Drybrush Medium German Yellow	<b>8 TRACKS WASH</b> A.MIG-1002 Tracks Wash	<b>11 SPLASHES</b> A.MIG-1753 Turned Dirt	<b>13 OIL</b> A.MIG-1408 Fresh Engine Oil
<b>3 CAMO SHADING</b> A.MIG-0852 Earth Shader	<b>6 STREAKING</b> A.MIG-1256 Streakingbrusher Green-Grey Grime	<b>9 DUST</b> A.MIG-3004 Europe Earth Pigment		

## Painting and Marking Guide

TAKOM Nº: 2161

M48A5, A Company, 1st Battalion,  
149th Armor Regiment, 40th Infantry  
Division, California Army National Guard,  
1986

A.MIG-0069 Sandstone	A.MIG-0032 Sable Black	A.MIG-0033 Rubber & Tire	A.MIG-0035 Dark Tracks	A.MIG-0045 Gun Metal
A.MIG-0056 Green Khaki	A.MIG-0078 Olive Earth	A.MIG-0079 Clay Brown	A.MIG-0083 Crystal Red	A.MIG-0084 Crystal Glass
A.MIG-0095 Crystal Smoke	A.MIG-0096 Crystal Yellow-Green	A.MIG-0206 RLM 81 - FS 34079 - 35041	A.MIG-0195 Silver	



### WEATHERING STEPS WITH AMMO PRODUCTS

<b>1 GENERAL WASH</b> A.MIG-1001 Afrika Korps Wash	<b>3 STREAKING</b> A.MIG-1201 Streaking Grime for DAK	<b>5 TRACKS WASH</b> A.MIG-1002 Tracks Wash	<b>7 HEAVY MUD</b> A.MIG-1702 Turned Earth	<b>9 FUEL</b> A.MIG-1409 Fuel Stains
<b>2 FILTER</b> A.MIG-1505 Grey for Yellow Sand	<b>4 RAINMARKS</b> A.MIG-1258 Streakingbrusher Dust	<b>6 DUST</b> A.MIG-3003 North Africa Dust Pigment	<b>8 SPLASHES</b> A.MIG-1751 Dry Steppe	<b>10 OIL</b> A.MIG-1408 Fresh Engine Oil

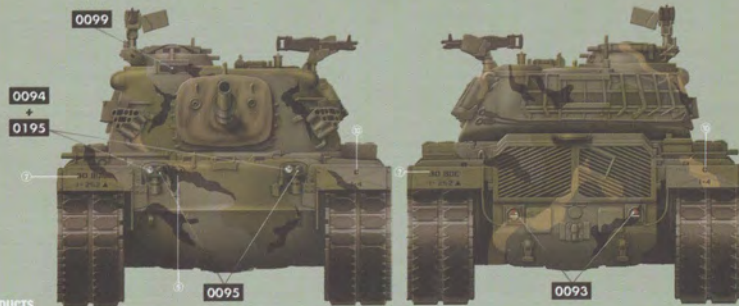


## Painting and Marking Guide

TAKOM N°: 2161

M48A5, C Company, 1st Battalion, 252nd Armor Regiment, 30th Infantry Brigade (Mechanized), North Carolina Army National Guard, Exercise (Display Determination), Genova, Italy, September 1986.

A.MIG-0009	Sandstone	A.MIG-0032	Satin Black	A.MIG-0033	Rubber & Tire	A.MIG-0035	Dark Tracks	A.MIG-0045	Gun Metal
A.MIG-0056	Green Khaki	A.MIG-0093	Crystal Red	A.MIG-0094	Crystal Glass	A.MIG-0095	Crystal Smoke	A.MIG-0099	Crystal Black Blue
A.MIG-0195	Silver	A.MIG-0206	FLM 8.1 - FS 34079 - 05041	A.MIG-0220	Tro Chromate Green				



### WEATHERING STEPS WITH AMMO PRODUCTS

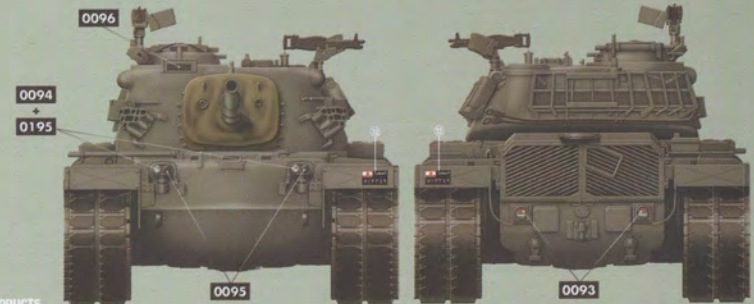
<b>1 GENERAL WASH</b> A.MIG-1005 Dark Brown Wash for Green vehicles	<b>4 DIRT SHADING</b> A.MIG-0853 Dirt Shader	<b>7 RAINMARKS</b> A.MIG-1258 Streakingbrusher Dust	<b>10 MUD</b> A.MIG-1704 Heavy Earth	<b>12 FUEL</b> A.MIG-1409 Fuel Stains
<b>2 FILTER</b> A.MIG-0624 Tan	<b>5 DETAILS HIGHLIGHT</b> A.MIG-0617 Drybrush Medium German Yellow	<b>8 TRACKS WASH</b> A.MIG-1002 Tracks Wash	<b>11 SPLASHES</b> A.MIG-1753 Turned Dirt	<b>13 OIL</b> A.MIG-1408 Fresh Engine Oil
<b>3 CAMO SHADING</b> A.MIG-0852 Earth Shader	<b>6 STREAKING</b> A.MIG-1256 Streakingbrusher Green-Grey Grime	<b>9 DUST</b> A.MIG-3004 Europe Earth Pigment		

## Painting and Marking Guide

TAKOM N°: 2161

1st Armored Vehicle Regiment, Sorba, Lebanon, September 2005.

A.MIG-0032	Satin Black	A.MIG-0033	Rubber & Tire	A.MIG-0035	Dark Tracks	A.MIG-0045	Gun Metal	A.MIG-0056	Green Khaki
A.MIG-0093	Crystal Red	A.MIG-0094	Crystal Glass	A.MIG-0095	Crystal Smoke	A.MIG-0096	Crystal Periscope Green	A.MIG-0195	Silver
A.MIG-0248	FLM 8.1 - FS 34079 - 05041								



### WEATHERING STEPS WITH AMMO PRODUCTS

<b>1 GENERAL WASH</b> A.MIG-1005 Dark Brown Wash for Green vehicles	<b>4 CAMO SHADING</b> A.MIG-0856 Dark Green Shader	<b>7 STREAKING</b> A.MIG-1206 Dark Streaking Grime	<b>10 DUST</b> A.MIG-3007 Dark Earth Pigment	<b>13 FUEL</b> A.MIG-1409 Fuel Stains
<b>2 CAMO FADING</b> A.MIG-3506 Oilbrusher Field Green	<b>5 DIRT SHADING</b> A.MIG-0853 Dirt Shader	<b>8 RAINMARKS</b> A.MIG-1258 Streakingbrusher Dust	<b>11 MUD</b> A.MIG-1705 Wet Mud	<b>14 OIL</b> A.MIG-1408 Fresh Engine Oil
<b>3 FILTER</b> A.MIG-1508 Green for Grey Green	<b>6 DETAILS HIGHLIGHT</b> A.MIG-0608 Drybrush Light Olive Green	<b>9 TRACKS WASH</b> A.MIG-1002 Tracks Wash	<b>12 SPLASHES</b> A.MIG-1754 Dump Earth	