

CUT



R4 R6 R4 R5



R1 X2



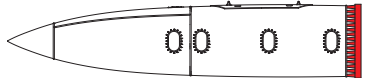
R7 X2



R8 X2

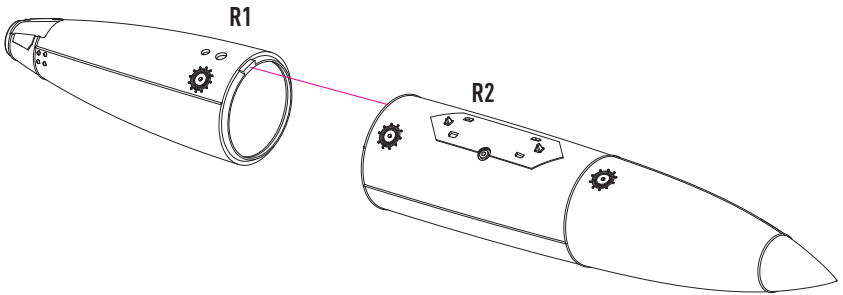


R3

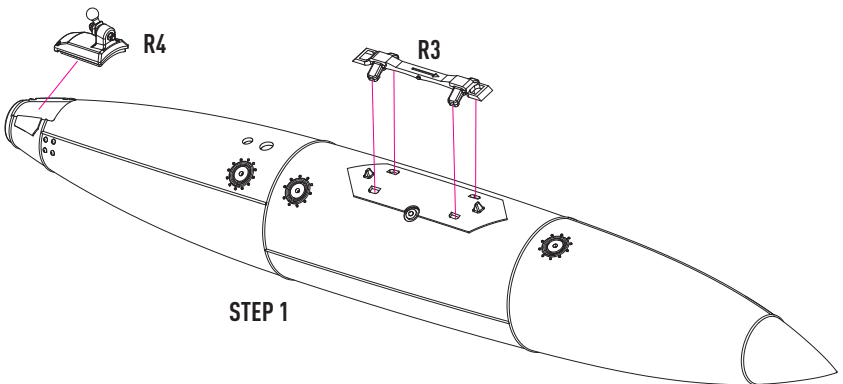


R2 X2

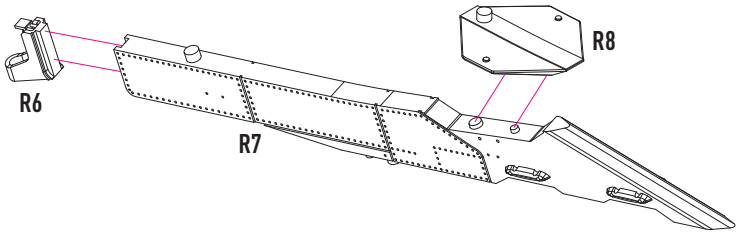
1 X2



2 X2

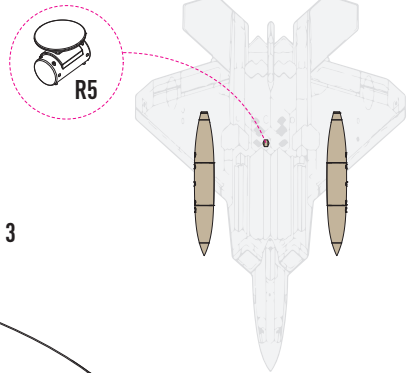
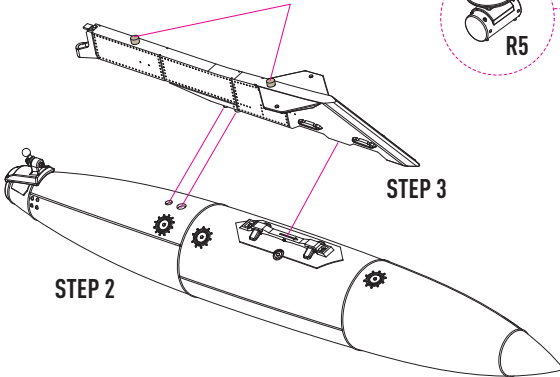


3 X2



4 X2

USE THESE PINS TO MOUNT
ON THE FENDER. DRILL HOLES



BOTTOM VIEW

DECAL INSTRUCTION

