

LAV-M (Mortar Carrier Vehicle)

美国LAV-M 轻型装甲车(迫击炮系统)



READ BEFORE ASSEMBLY:

- Study and understand these instructions thoroughly before beginning assembly
- When needed, remove photo-etch parts carefully using a modeling knife or photo etch sprue cutter, being careful not to damage or lose small parts.
- Take extra care in handling photo etch parts in order to avoid injury
- Apply instant cement sparingly to photo etch parts where instructed
- Tools recommended(not included in kit):Plastic and instant cements,sprue cutters,long nose pliers, modeling knife, small files, tweezers, pin vise & scissors. Soft cloth and sandpaper will also assist in construction
- Glue and paint are not included in the kit. Use plastic cement and hobby paints only. Color guide for purchasing paint is included in the kit.

装配之前仔细阅读

- 小心用模型锉刀锉平所有零件表面的注射浇口。
- 小心用刀片切下蚀刻片零件，不要遗失小零件。
- 用强力快干胶水粘合蚀刻片零件和金属轴。过量的快干胶水使用可能导致可动零件会粘住，小心涂胶。
- 取蚀刻片时应特别注意安全，防止利刃划伤手指。
- 某些零件表面需贴水上贴纸，请选择在装配的同时进行。
- 推荐模型工具(自备)：胶水，水口剪刀，长咀钳，刀片，锉刀，镊子，钳，钻，剪刀，瞬间快干胶。
- 软布同砂纸同时也应该是必备工具。
- 请使用塑料胶水和油漆，模型内不含。



cyanoacrylate glue
使用强力胶



weight
配重



make hole
钻孔



cut / remove
切除



bend
弯曲



file / sand
锉平



option
选择



no cement
不涂胶水



decal
贴纸

水贴纸的使用:

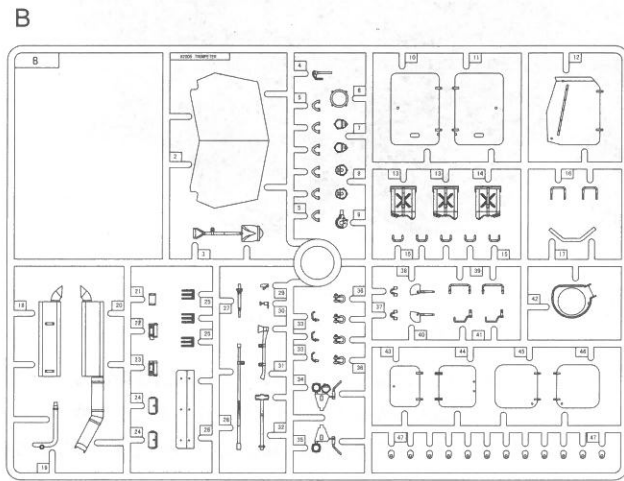
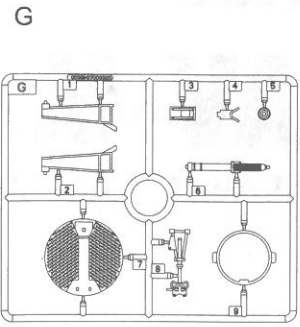
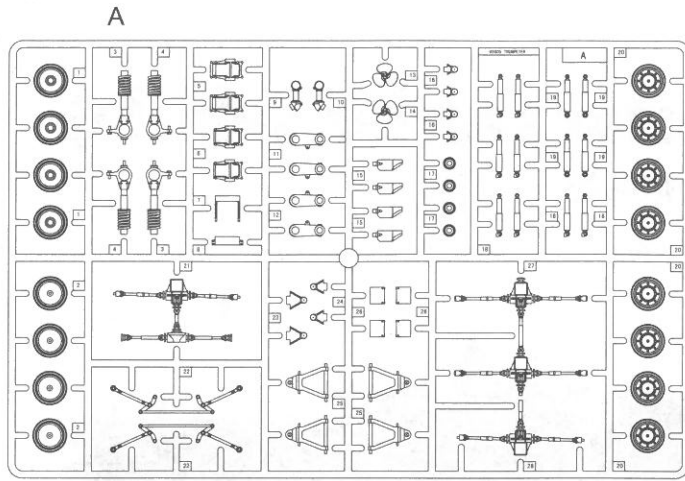
1. 从水贴纸上剪下印花;
2. 将印花放入温水中浸10秒, 然后放在干净布上。
3. 拿着印花纸板将印花移到模型上;
4. 手指蘸水将印花移到适当的位置;
5. 用软布轻压印花直至水干, 气泡消失。

DECAL APPLICATION:

1. Cut decals from sheet as needed
2. Dip the decal in warm water for about 10 seconds and then place on soft clean cloth.
3. Hold the decal backing sheet edge and gently slide the decal onto the model in its proper position.

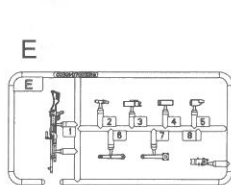
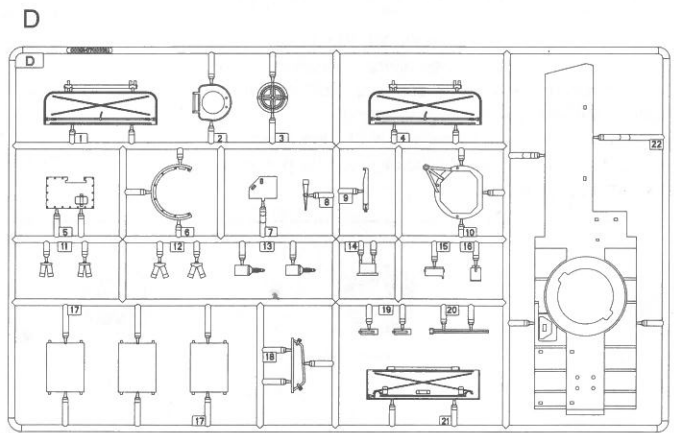
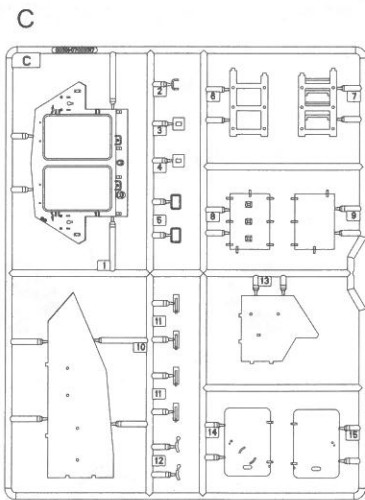
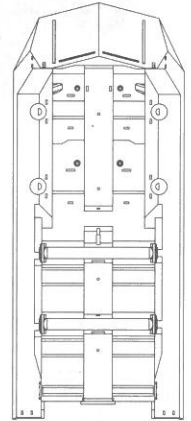
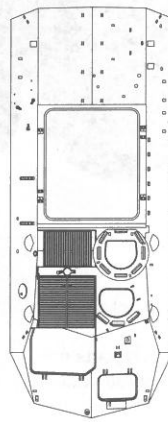
4. While still wet, decal can be adjusted for better fit on model by dampening it gently with your finger.
5. When placed in the proper position, gently press decal down with a soft cloth until excess water and air bubbles are gone.
6. Allow decal to dry completely before handling model

部品图 Parts



《车面》
Upper hull

《车底》
Lower hull



《轮胎》
Tyre X8



蚀刻片-A
PE-A



蚀刻片-B
PE-B

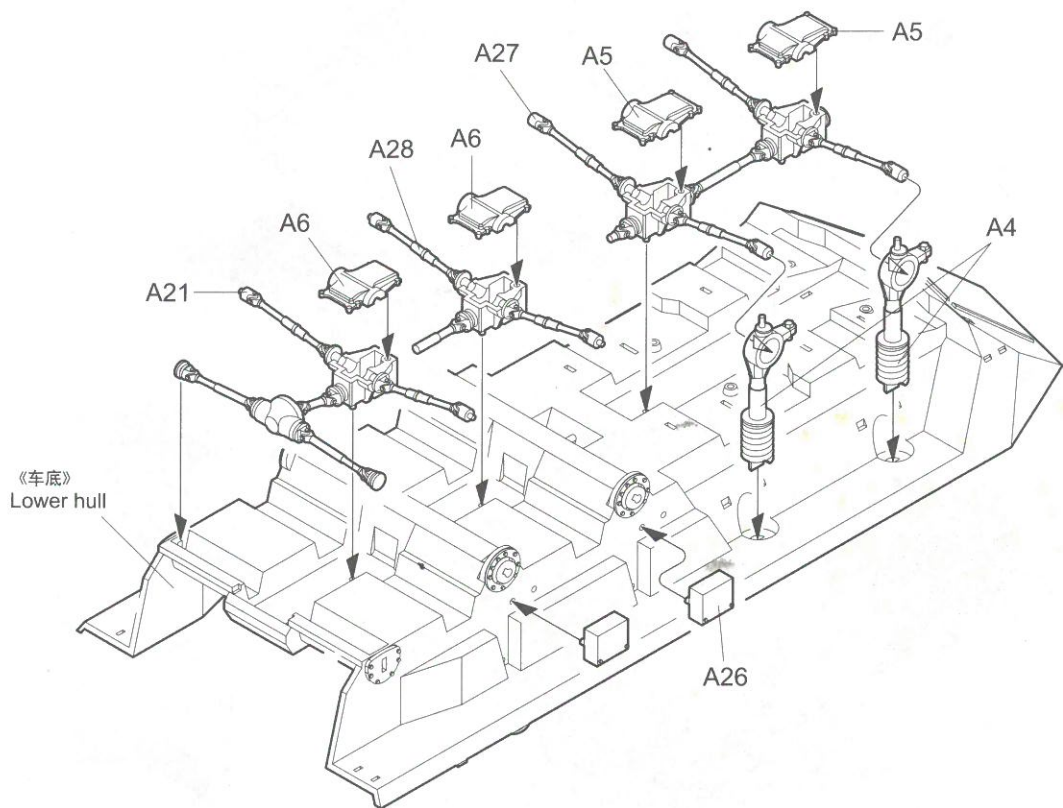


《水贴纸》
Decal

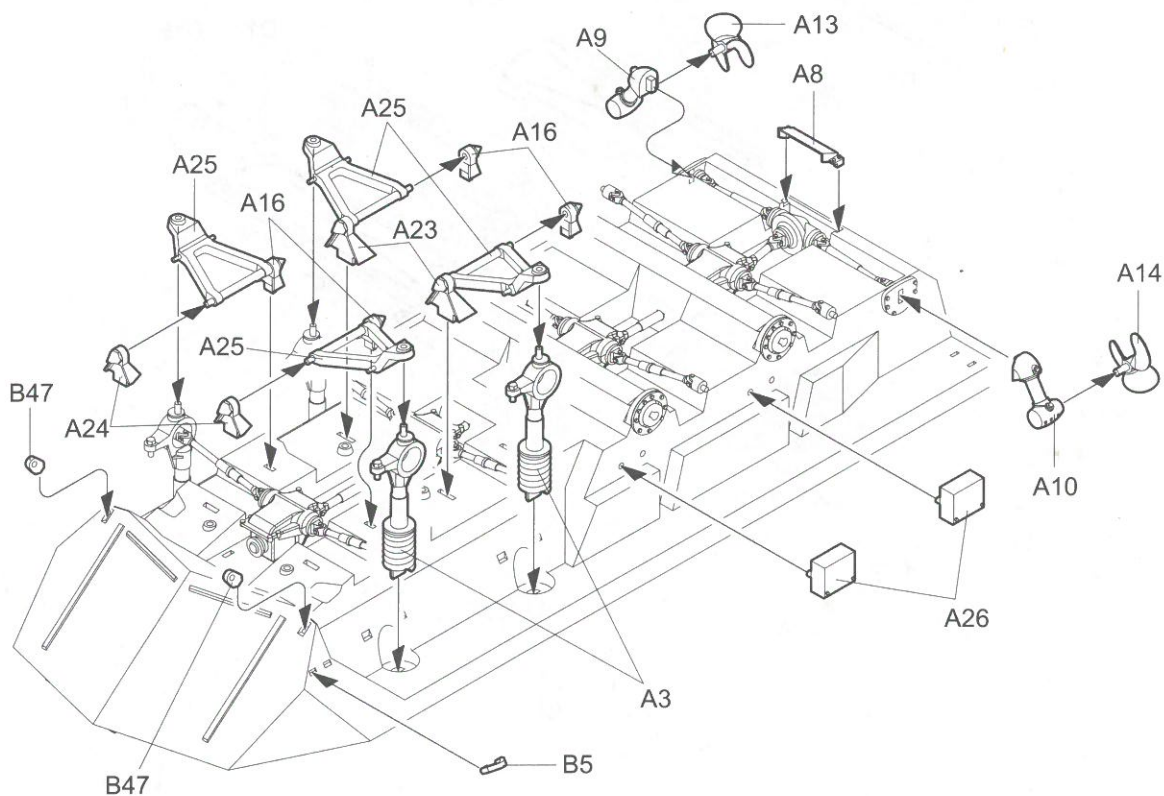


不用部品: B6, B10, B11, B21, B26, B27, B30, B32, B44, B45, B46.
Unused parts PE-A5, PE-A12×2, PE-B2×6.

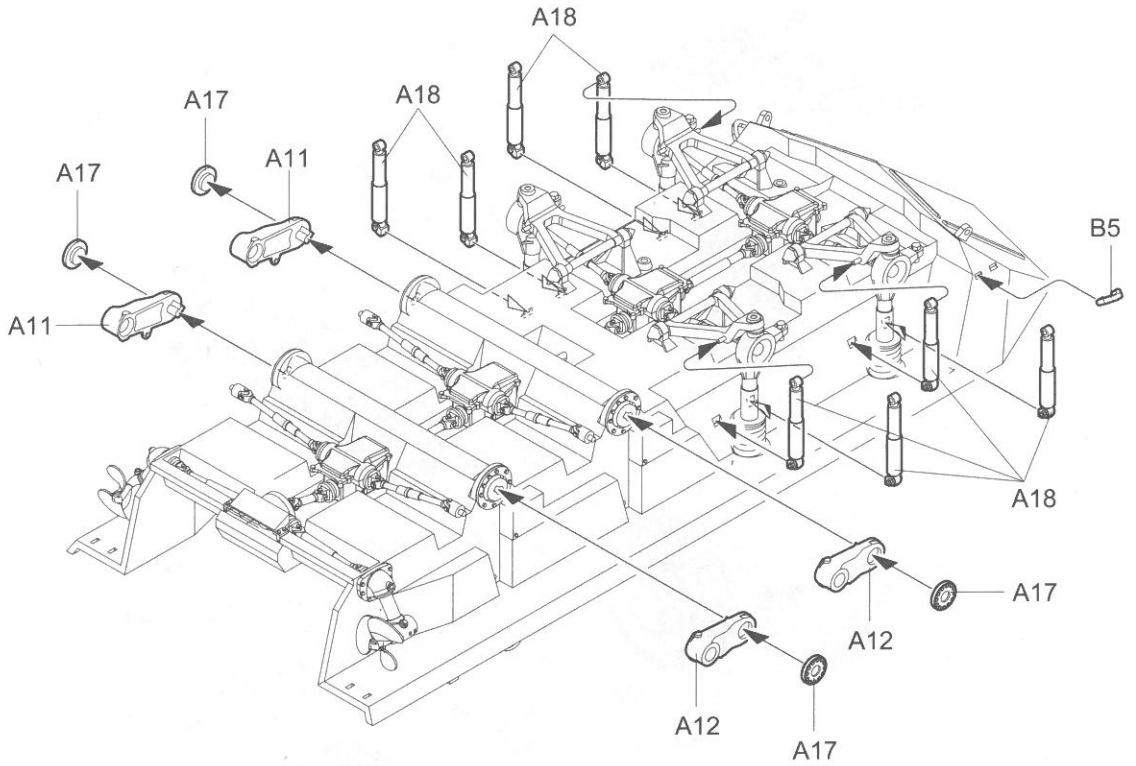
1 车体组装
Hull assembly



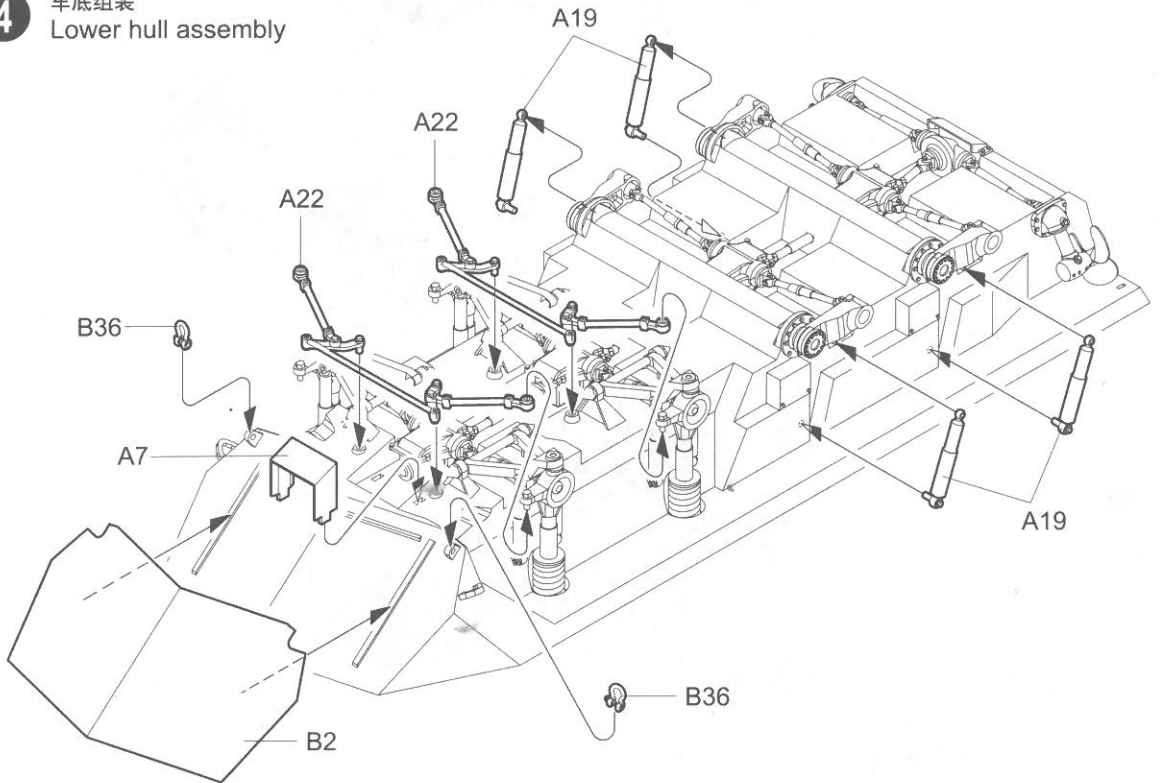
2 车底组装
Lower hull assembly



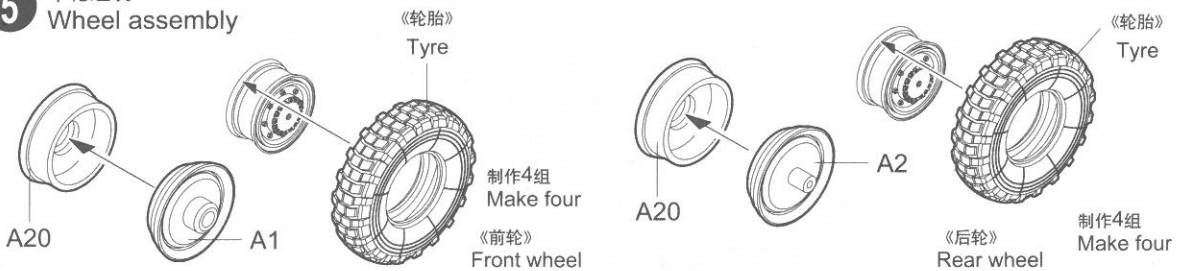
3 车底组装
Lower hull assembly



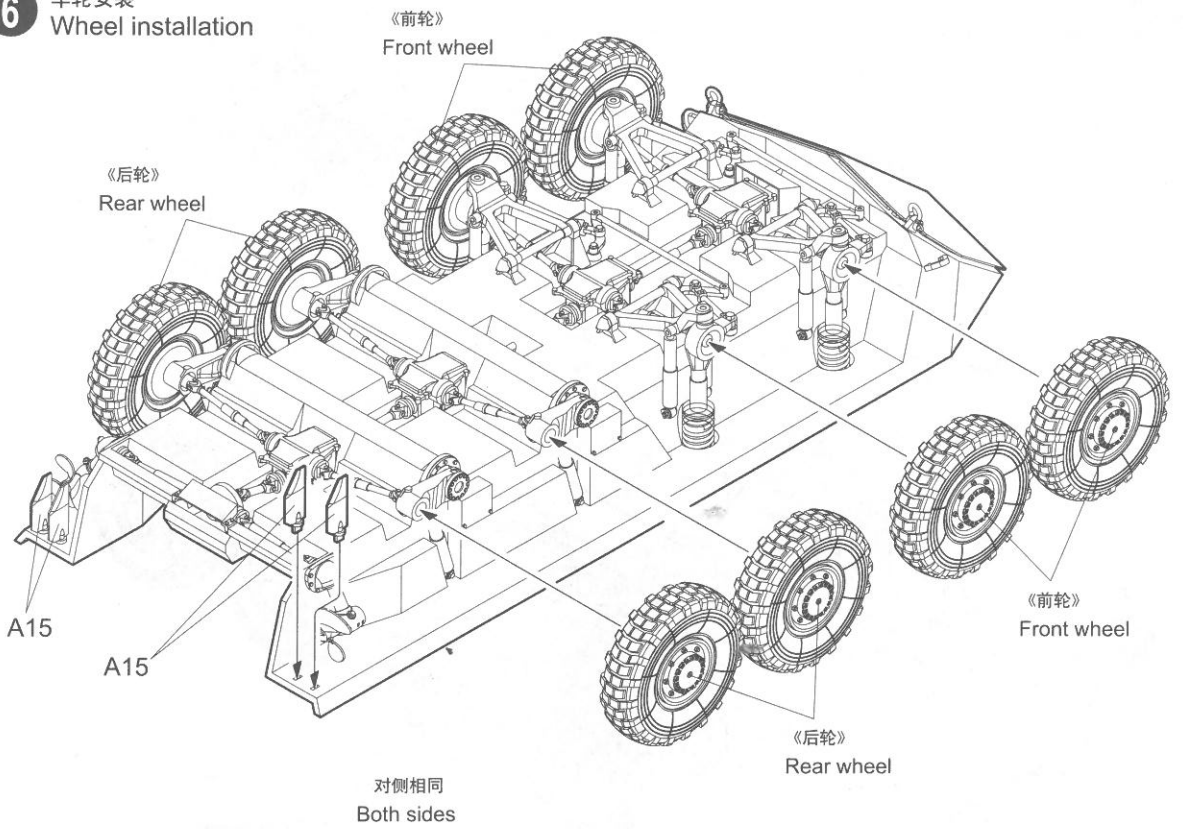
4 车底组装
Lower hull assembly



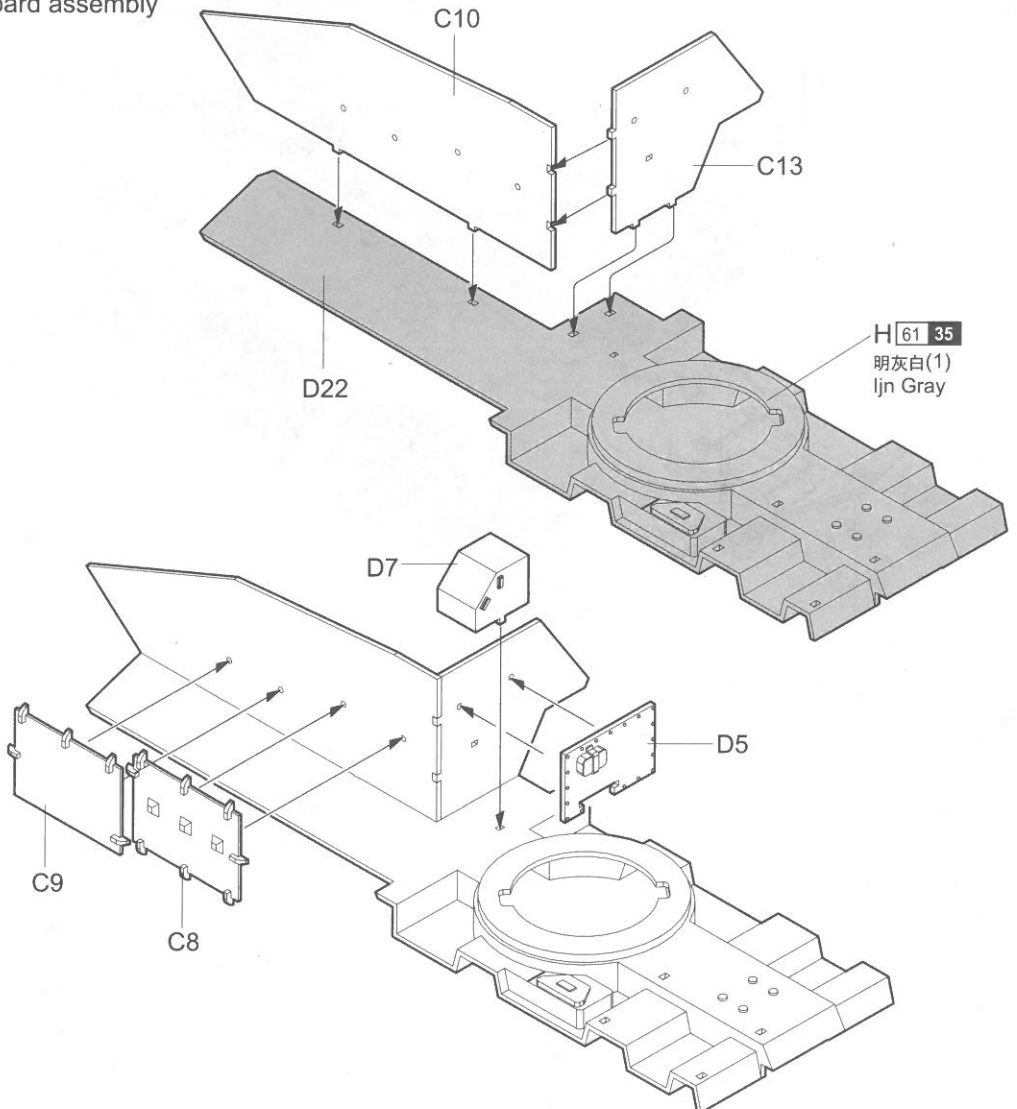
5 车轮组装
Wheel assembly



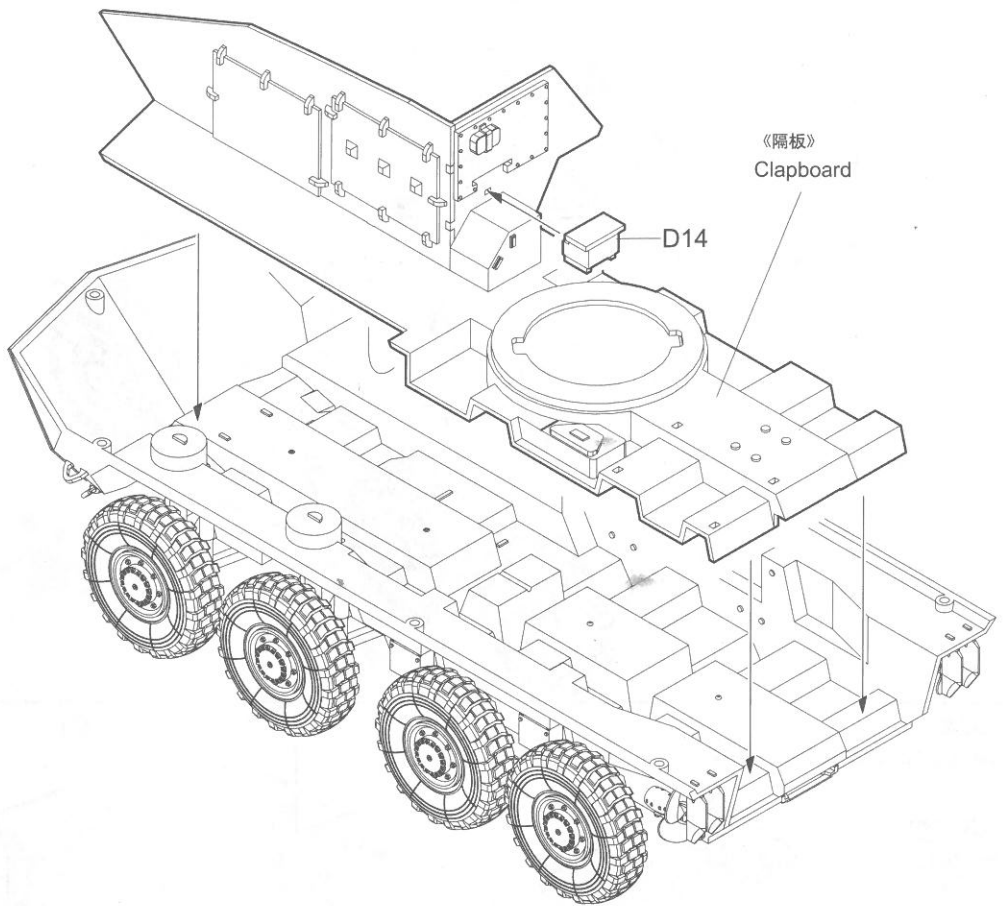
6 车轮安装
Wheel installation



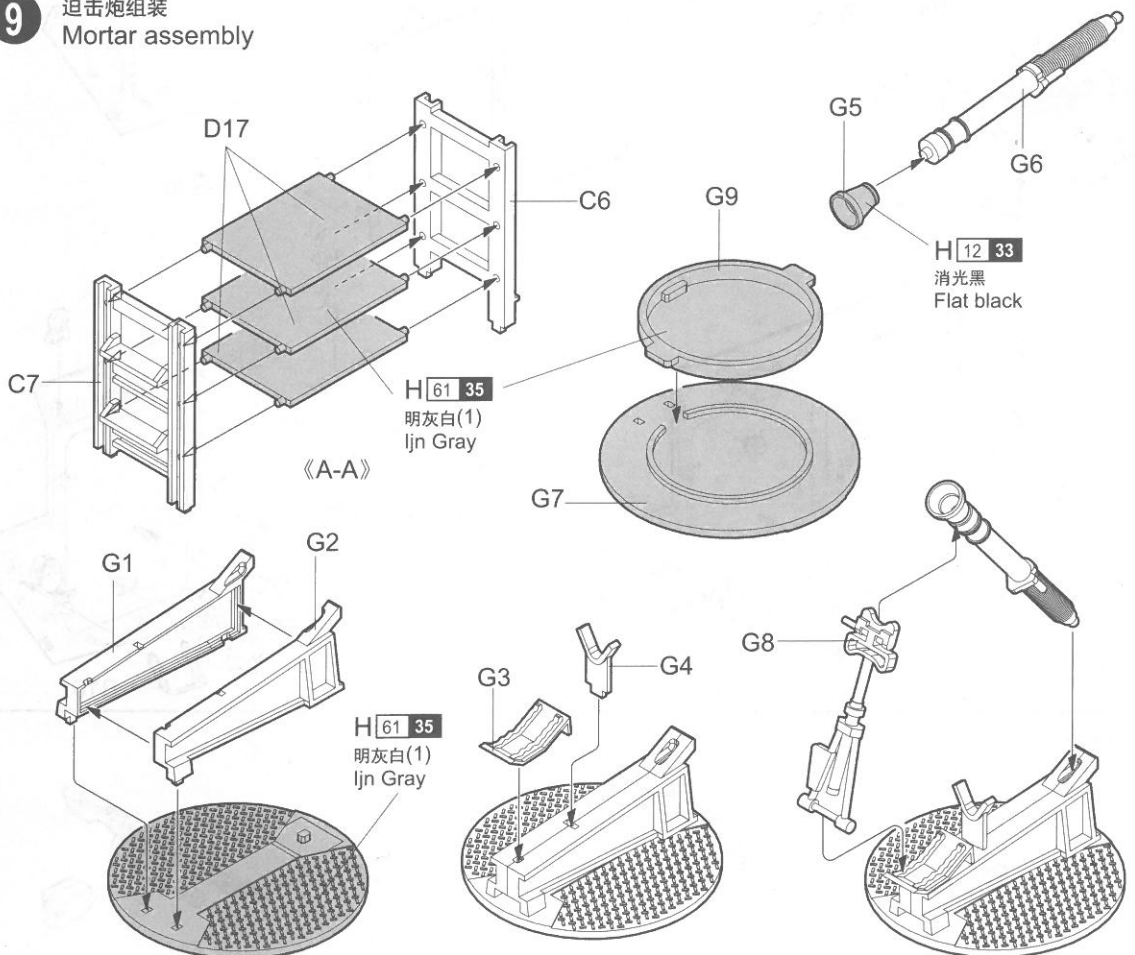
7 隔板组装
Clapboard assembly



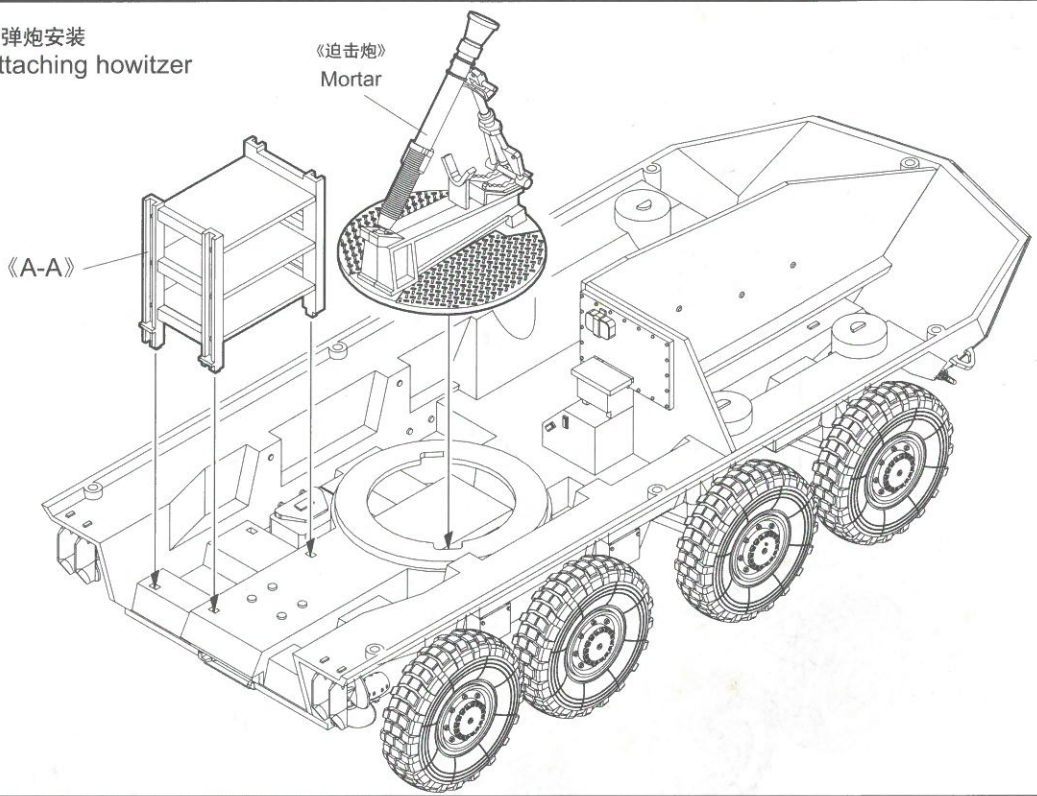
8 隔板安装
Attaching clapboard



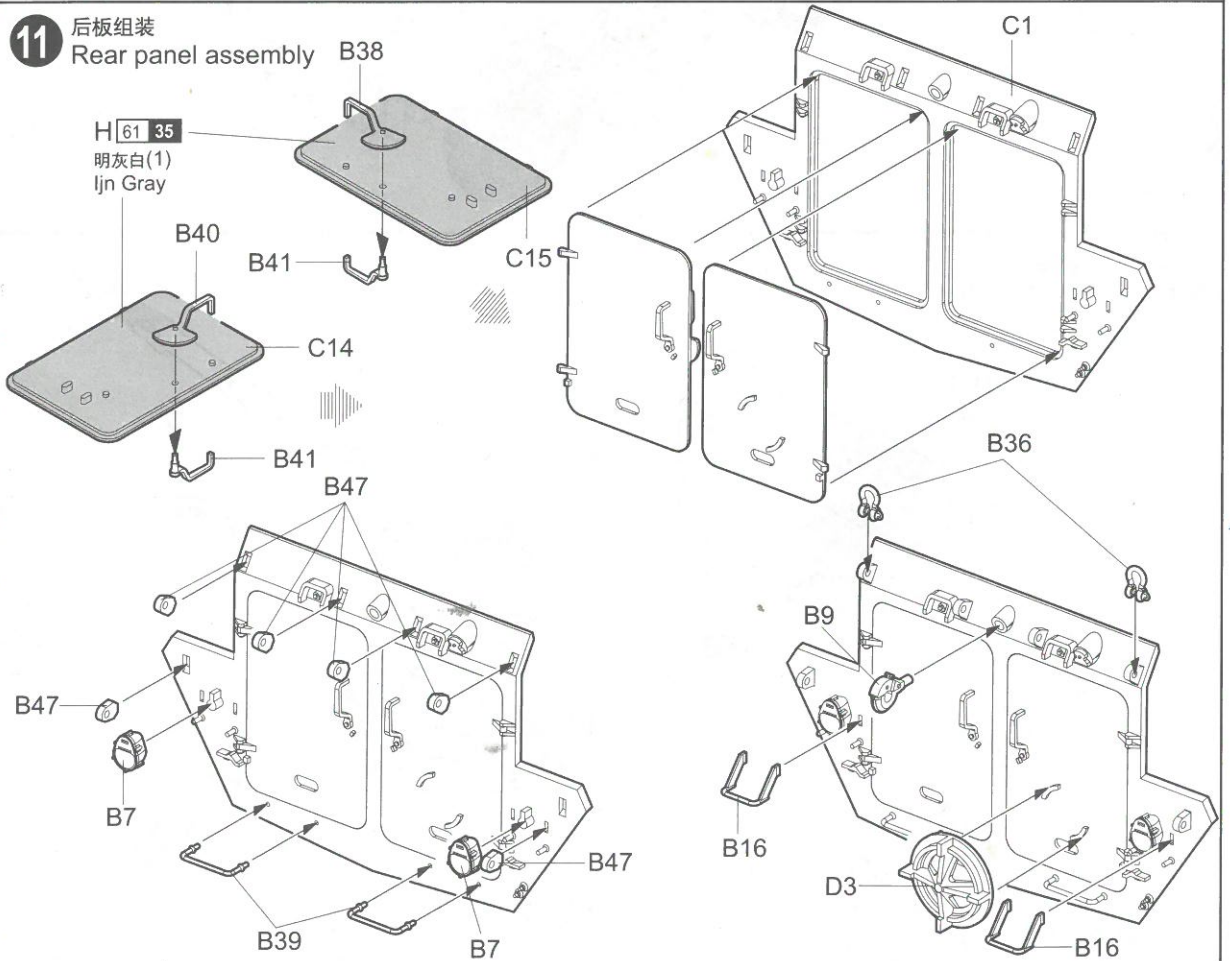
9 迫击炮组装
Mortar assembly



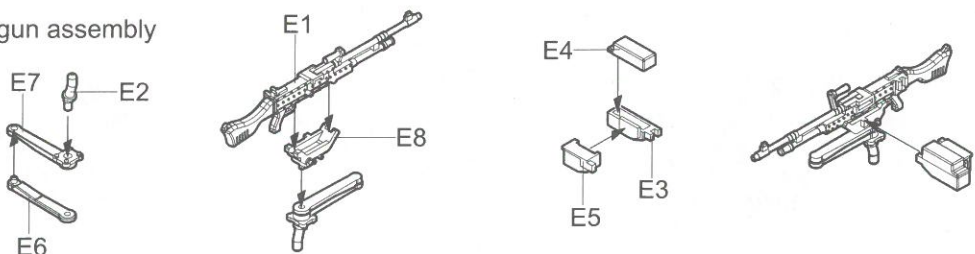
10 榴弹炮安装
Attaching howitzer



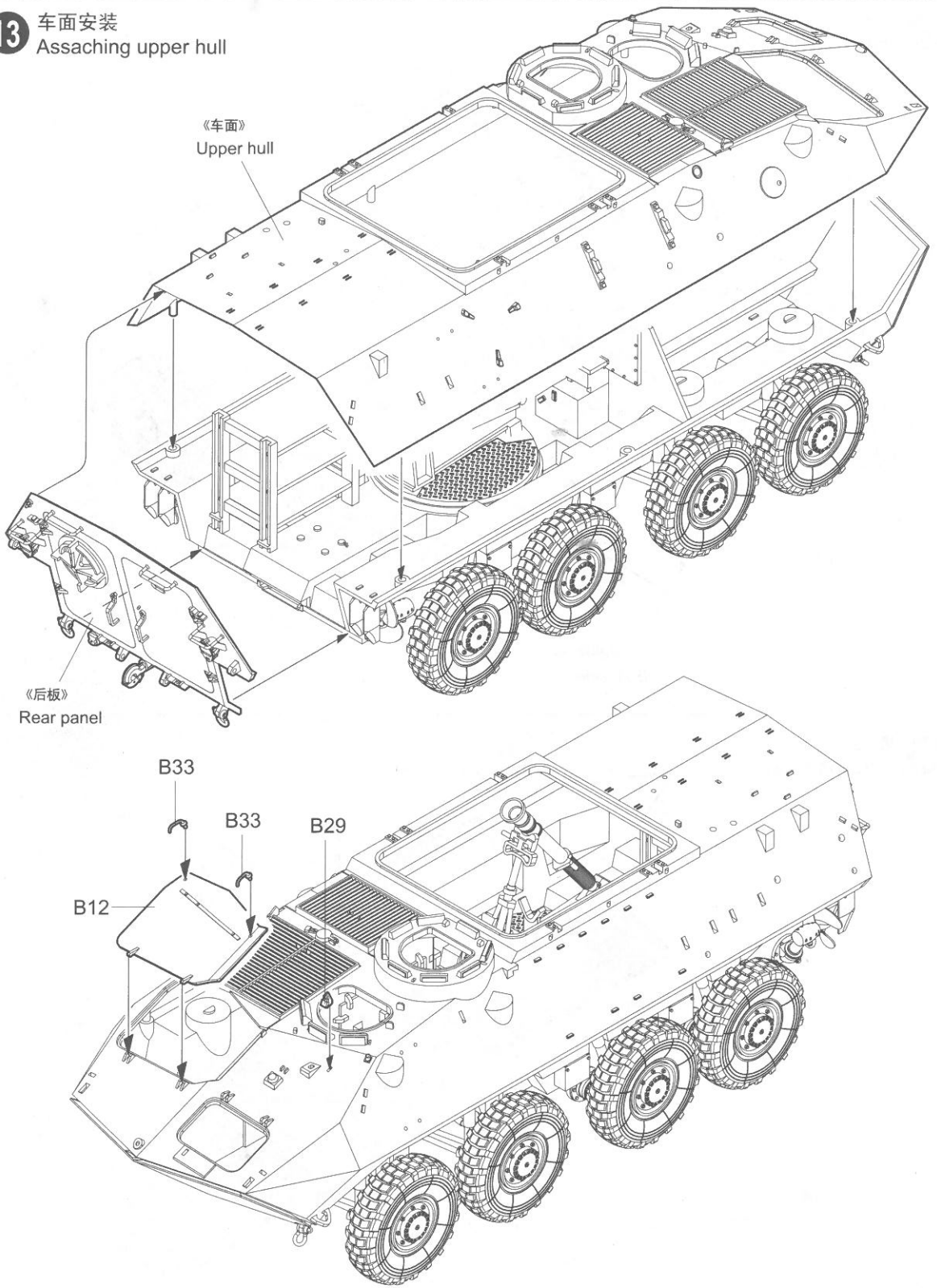
11 后板组装
Rear panel assembly



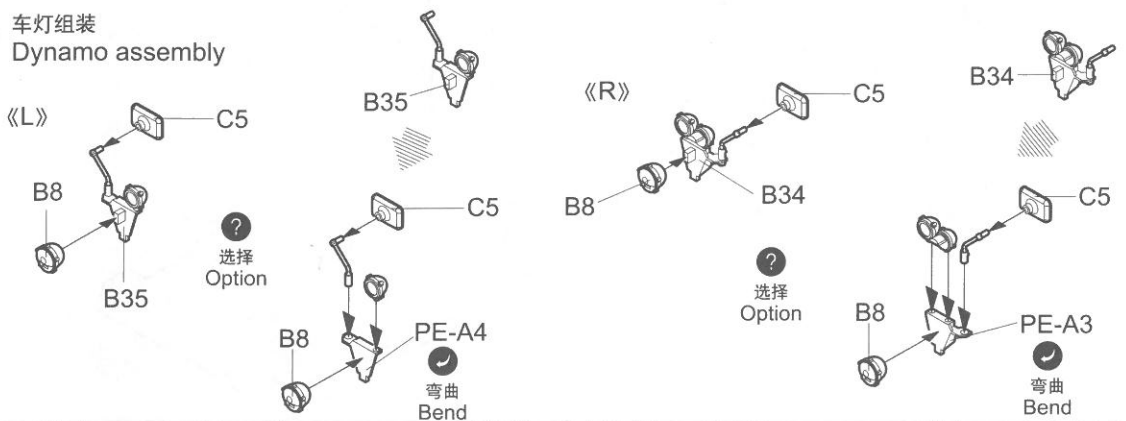
12 机枪组装
Maching gun assembly



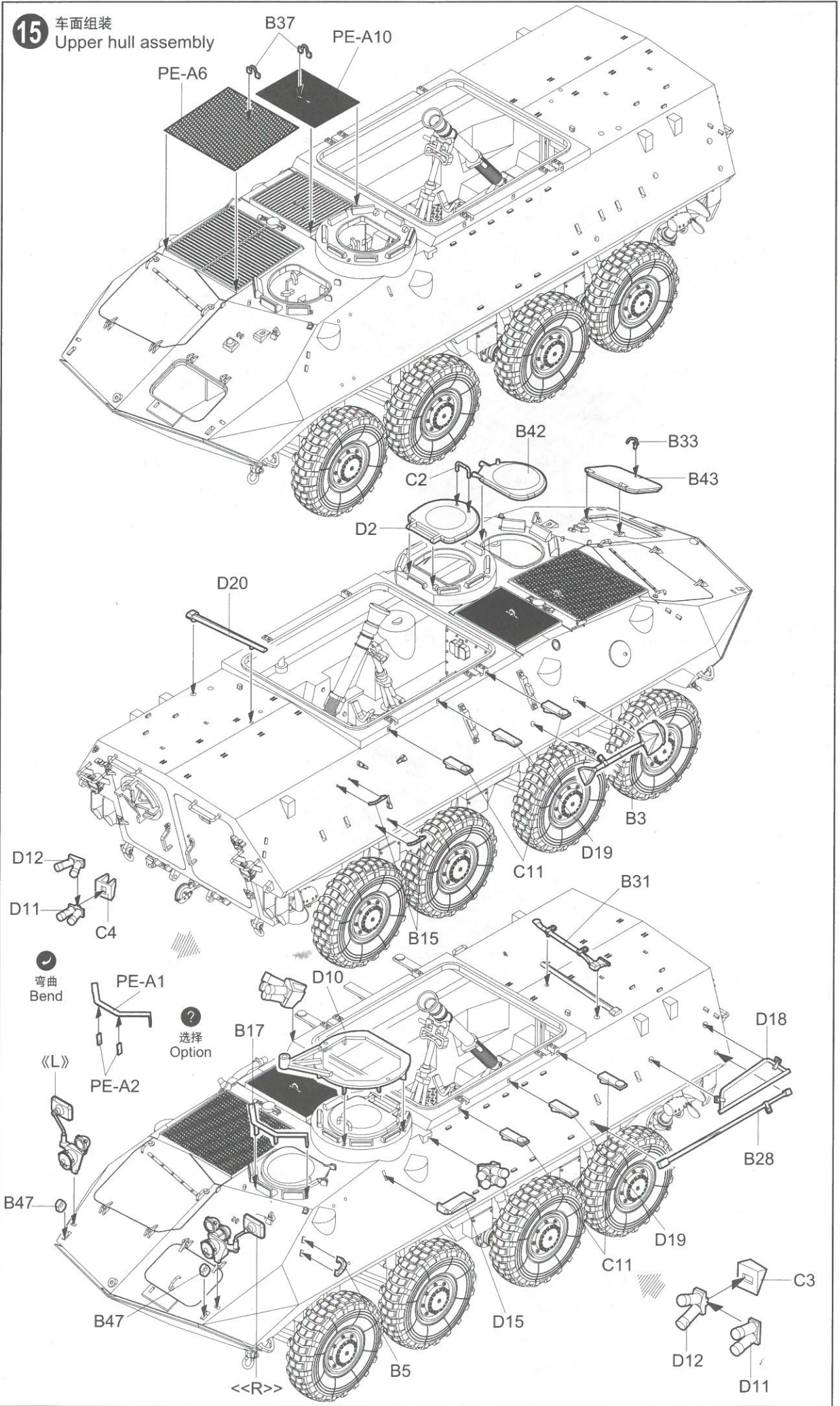
13 车面安装
Assaching upper hull



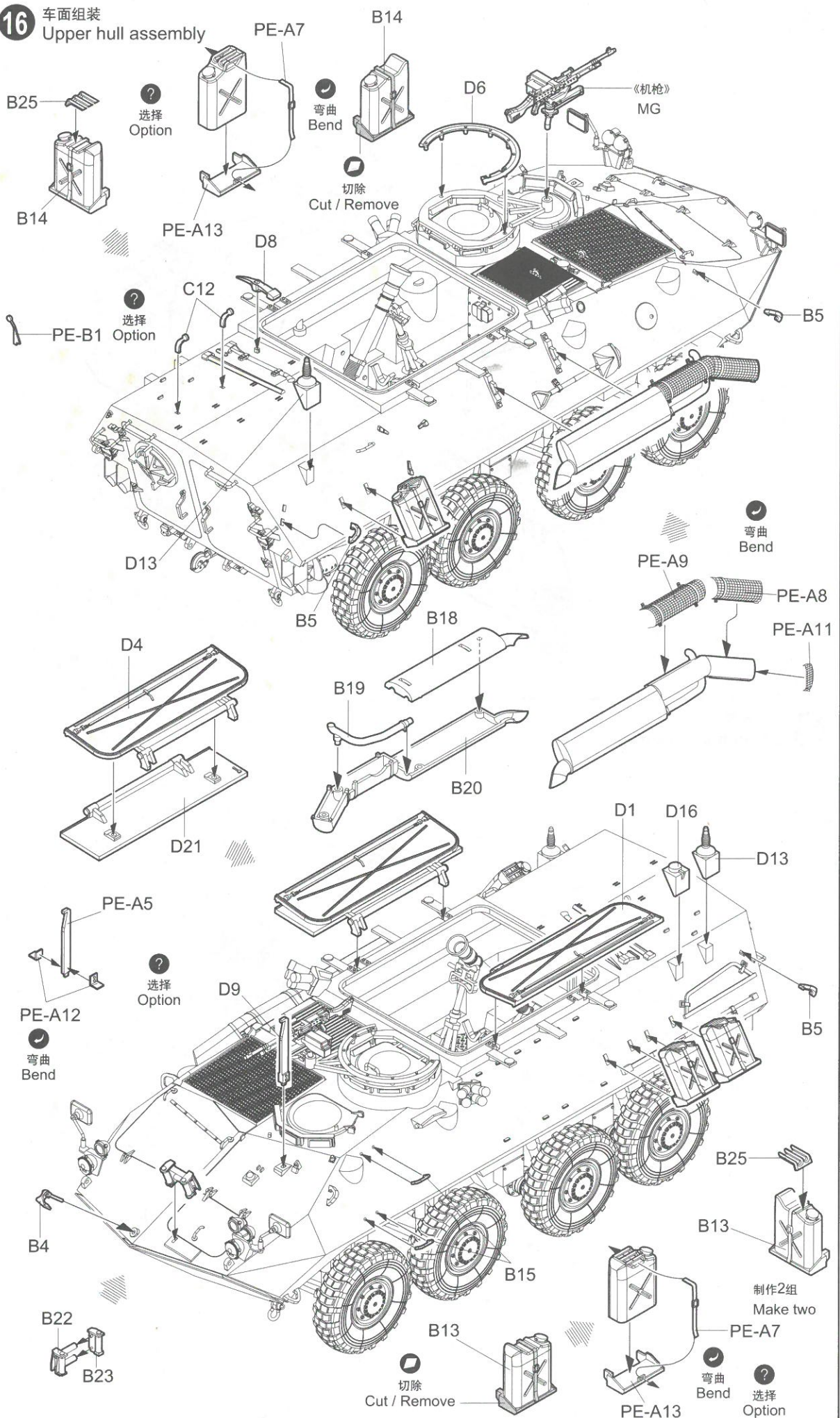
14 车灯组装
Dynamo assembly



15 车面组装
Upper hull assembly



16 车面组装
Upper hull assembly



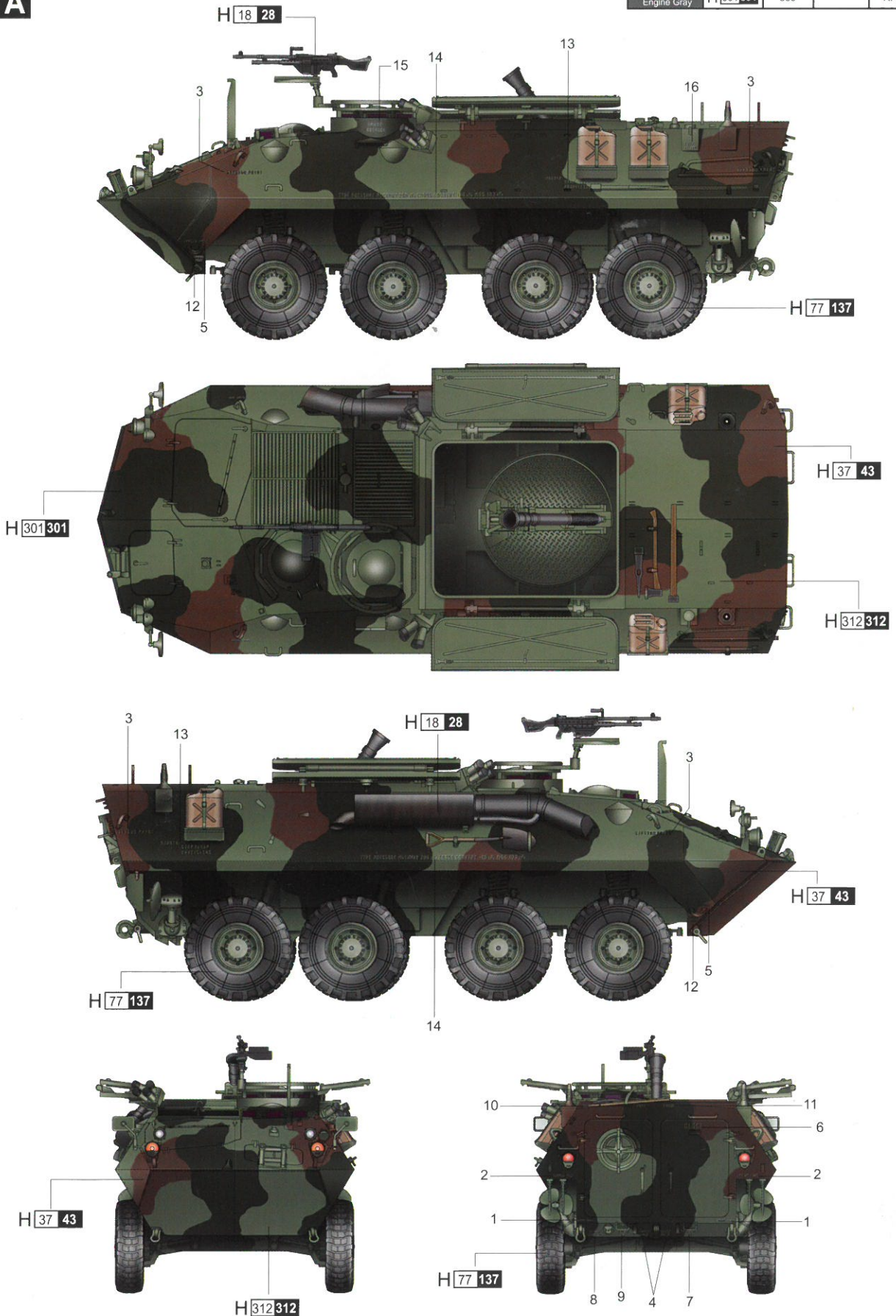
涂装同标贴指示

Painting & Marking guide

PAINT REFERENCE COLOUR

Color	Mr.Hobby	Vallejo	Model Master	Tamiya	Humbrol
Metal Black 黑铁色	H 18 28	864	1402	-	-
Wood Brown 木棕色	H 37 43	983	1701	-	186
绿色 Medium Grey Green	H 312 312	-	1716	-	120
Tire Black 胎黑色	H 77 137	-	-	-	-
灰色 Engine Gray	H 301 301	866	-	XF24	-

A



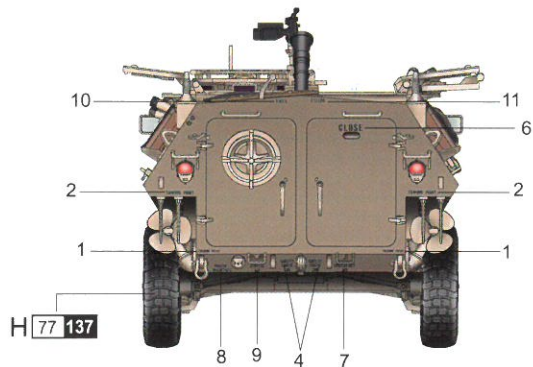
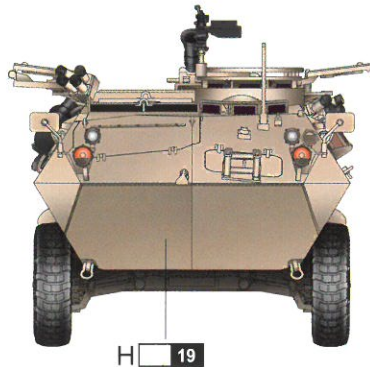
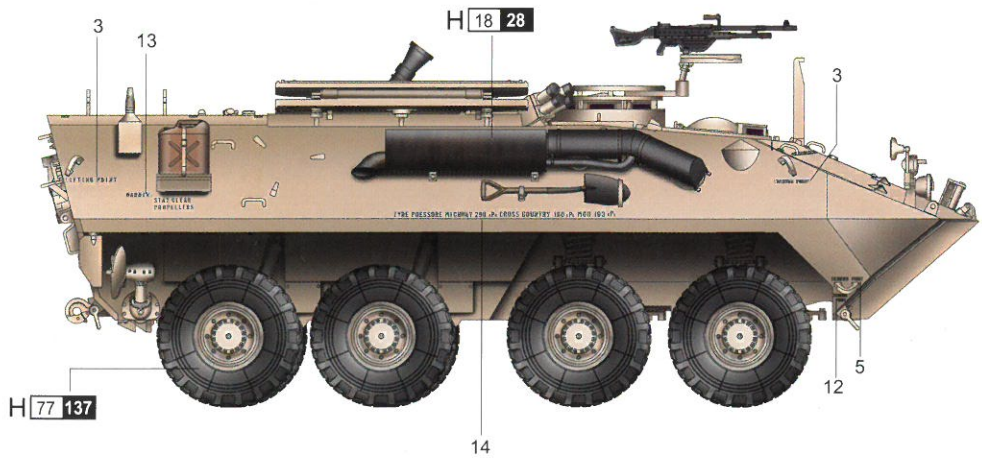
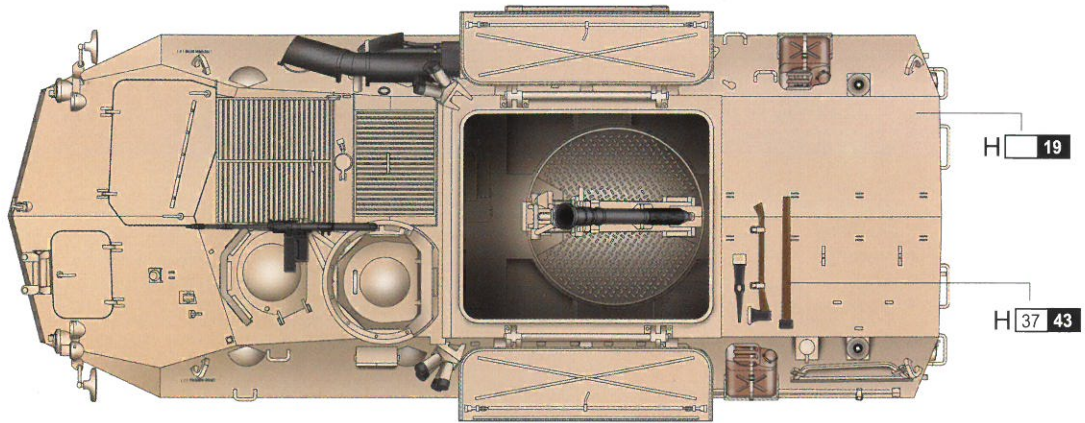
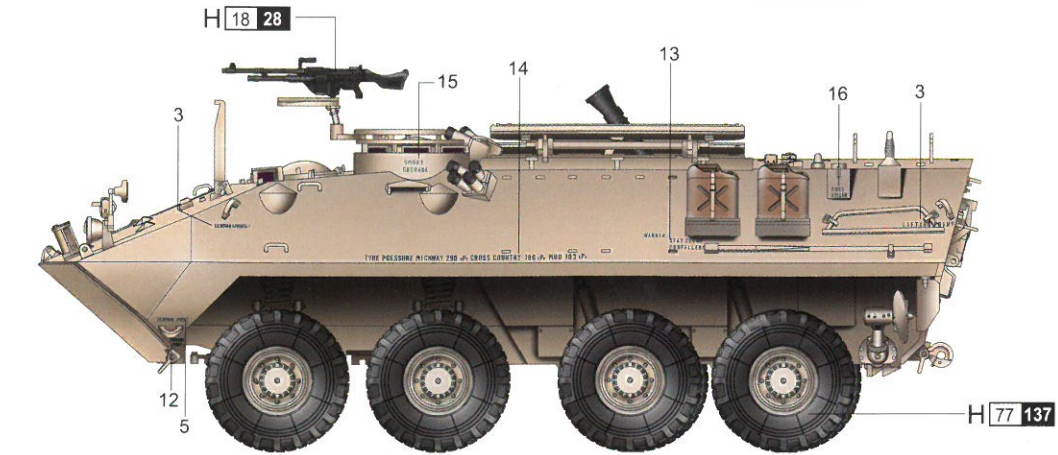
H AQUEOUS HOBBY COLOR ■ Mr. COLOR

涂装同标贴指示 Painting & Marking guide

PAINT REFERENCE COLOUR

Color	Mr.Hobby	Vallejo	Model Master	Tamiya	Humbrol
Metal Black 黑铁色	H 18 28	864	1402	-	-
Wood Brown 木棕色	H 37 43	983	1701	-	186
Tire Black 胎黑色	H 77 137	-	-	-	-
沙褐色	H 19	-	-	-	-

B



H AQUEOUS HOBBY COLOR ■ Mr. COLOR