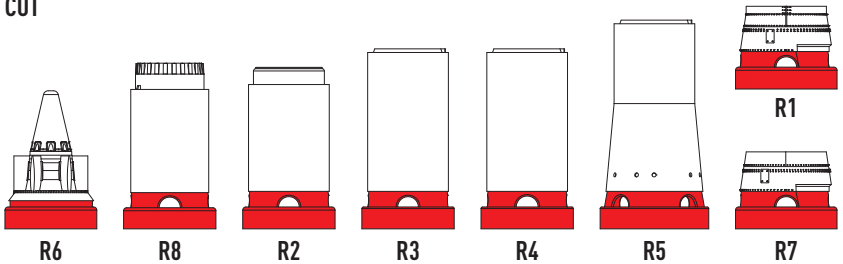
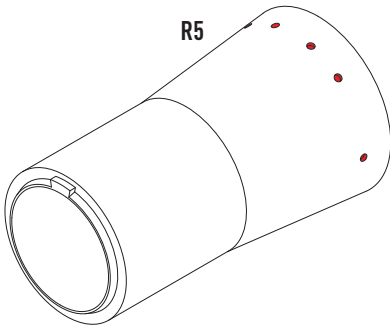


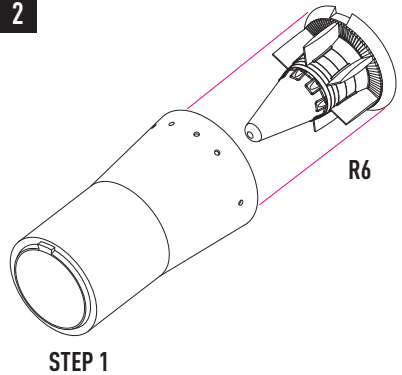
CUT



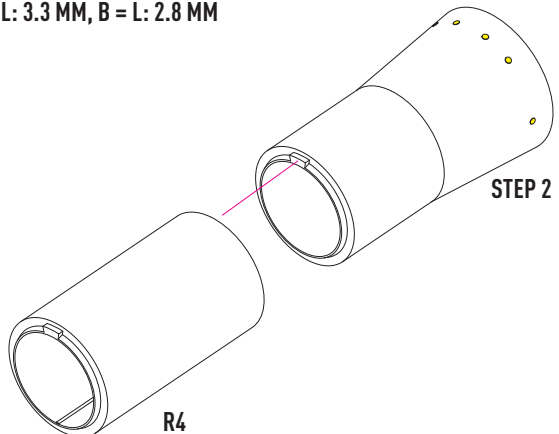
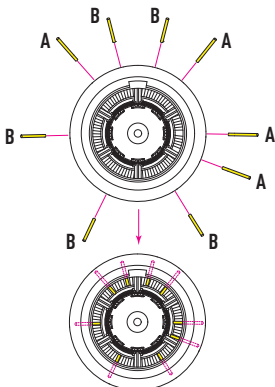
1 DRILL THROUGH HOLES D: 0.3 MM



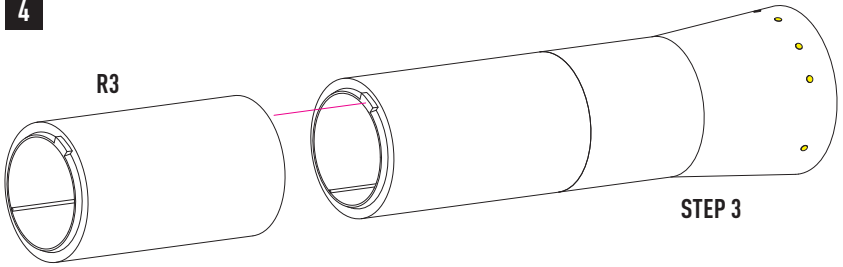
2



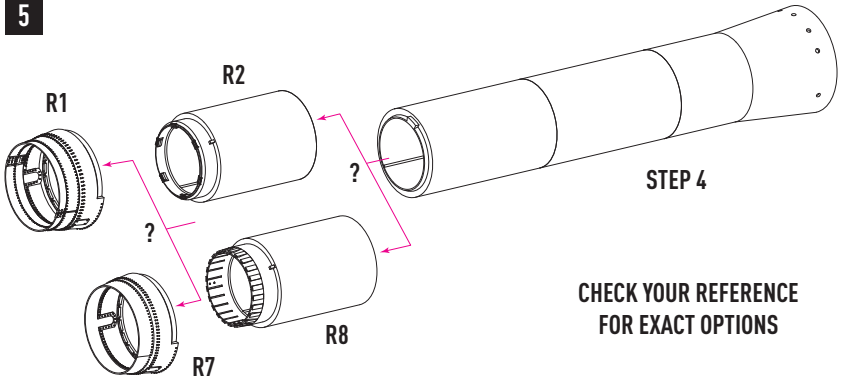
3 USE WIRE D: 0.3 MM, A = L: 3.3 MM, B = L: 2.8 MM



4



5



6

**PART FROM THE KIT A14.
 SYMMETRICALLY REPEAT ON THE DETAIL A1**

STEP 5

