

Soviet 5P71 Launcher with 5V27 Missile Pechora (SA-3B Goa) Rounds Loaded

苏联SA-3B防空导弹

READ BEFORE ASSEMBLY:

装配之前仔细阅读

- Study and understand these instructions thoroughly before beginning assembly
 - When needed, remove photo-etch parts carefully using a modeling knife or photo etch sprue cutter, being careful not to damage or lose small parts.
 - Take extra care in handling photo etch parts in order to avoid injury
 - Apply instant cement sparingly to photo etch parts where instructed
 - Tools recommended(not included in kit):Plastic and instant cements, sprue cutters,long nose pliers,modeling knife, small files, tweezers, pin vise & scissors. Soft cloth and sandpaper will also assist in construction
 - Glue and paint are not included in the kit. Use plastic cement and hobby paints only. Color guide for purchasing paint is included in the kit.
- 小心用模型锉刀锉平所有零件表面的注射浇口。
 - 小心用刀片切下蚀刻片零件，不要遗失小零件。
 - 用强力快干胶水粘合蚀刻片零件和金属轴。过量快干胶水使用可能导致可动零件会粘住，小心涂胶。
 - 取蚀刻片时应特别注意安全，防止利边划伤手指。
 - 某些零件表面需贴水上贴纸，请选择在装配的同时进行。
 - 推荐模型工具(自备)：胶水，水口剪刀，长咀钳，刀片，锉刀，镊子，钳，钻，剪刀，瞬间快干胶。
 - 软布同砂纸同时也是所需工具。
 - 请使用塑料胶水和油漆，模型内不含。



使用强力胶
Cyanoacrylate glue



配重
Weight



钻孔
Make hole



切除
Cut / Remove



贴纸
Decal



锉平
File / Sand



选择
Option



不涂胶水
No cement



弯曲
Bend



先装
Install it first



填补
Repair

水贴纸的使用:

- 1.从水贴纸上剪下印花;
- 2.将印花放入温水中浸10秒, 然后放在干净布上。
- 3.拿着印花纸板将印花移到模型上;
- 4.手指蘸水将印花移到适当的位置;
- 5.用软布轻压印花直至水干, 气泡消失

DECAL APPLICATION

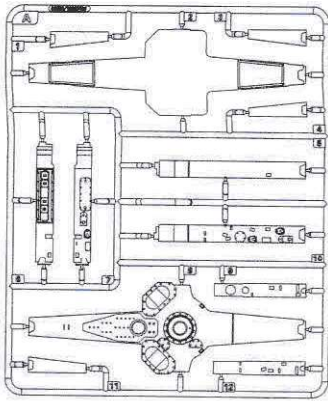
- 1.Cut decals from sheet as needed
- 2.Dip the decal in warm water for about 10 seconds and then place on soft clean cloth.
- 3.Hold the decal backing sheet edge and gently slide the decal onto the model in its proper position.

- 4.While still wet,decal can be adjusted for better fit on model by dampening it gently with your finger.
- 5.When placed in the proper position,gently press decal down with a soft cloth until excess water and air bubbles are gone.
- 6.Allow decal to dry completely before handling model

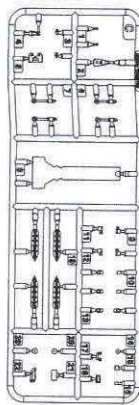
* 说明书中含有重要信息, 应保留。 Please Keep instruction since it contains important information.

部品图 Parts

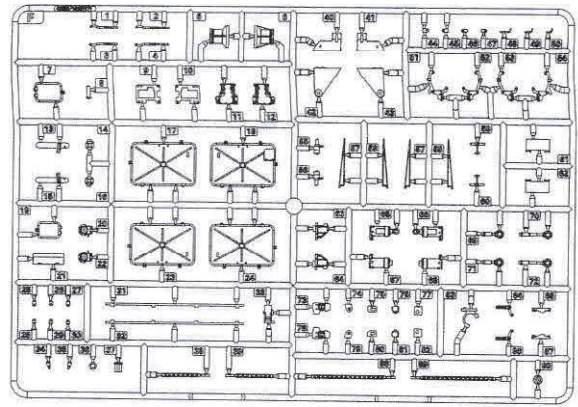
A



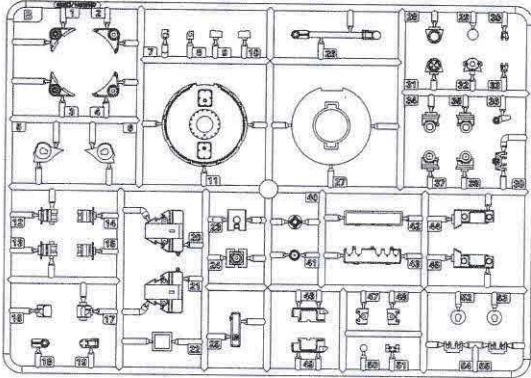
Cx2



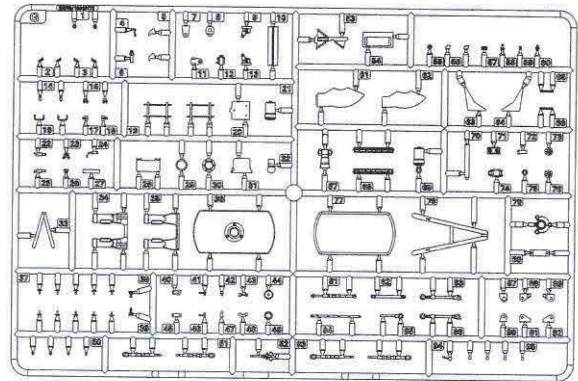
F



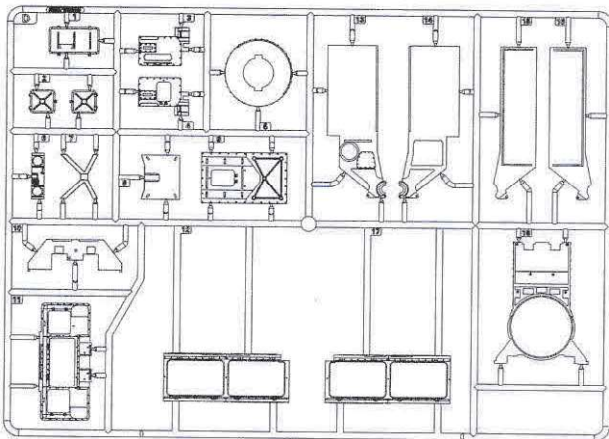
B



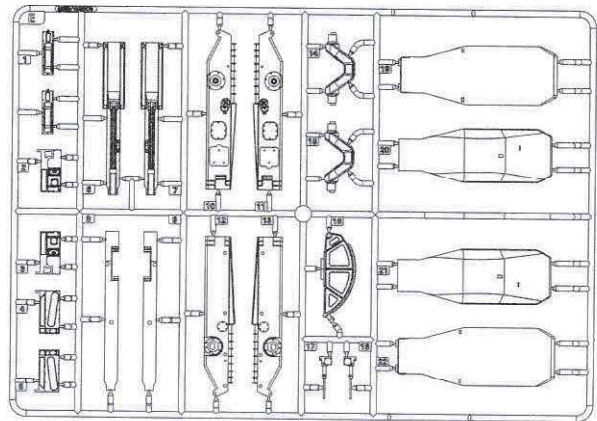
Gx2



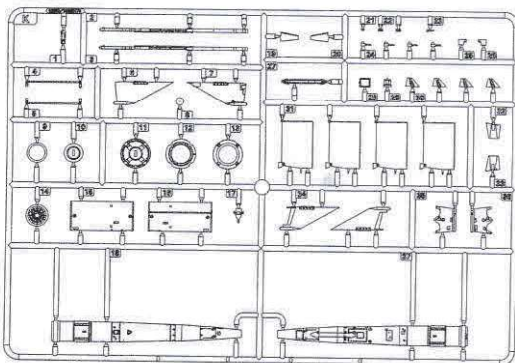
D



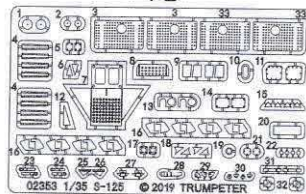
E



Kx2



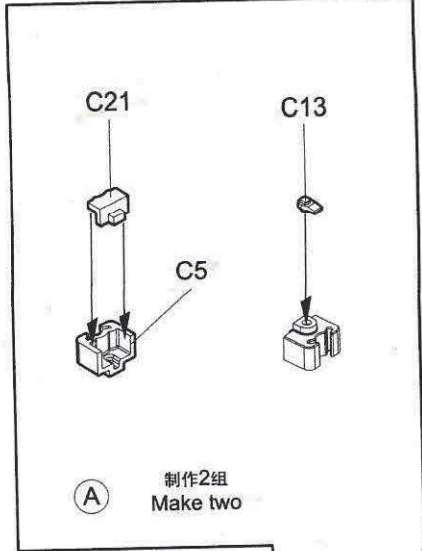
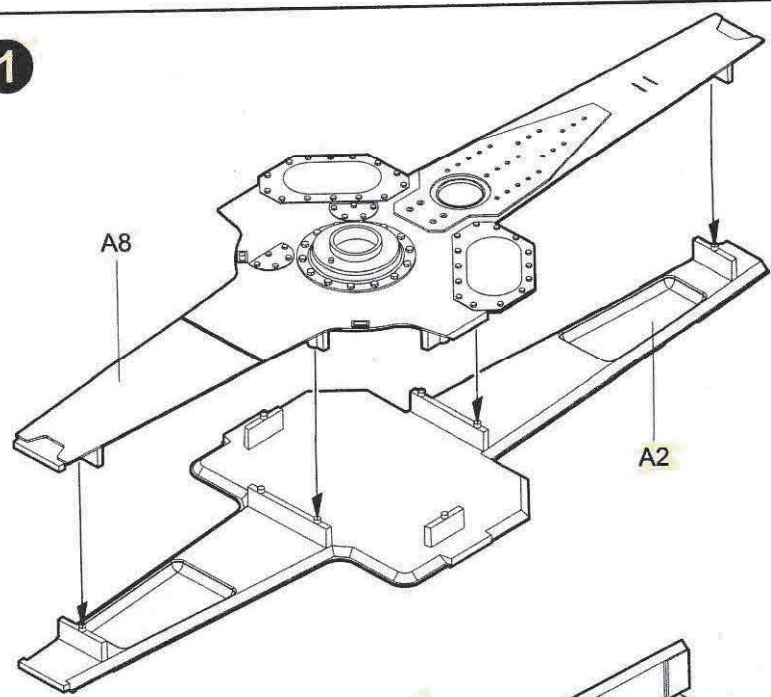
《蚀刻片》
PE



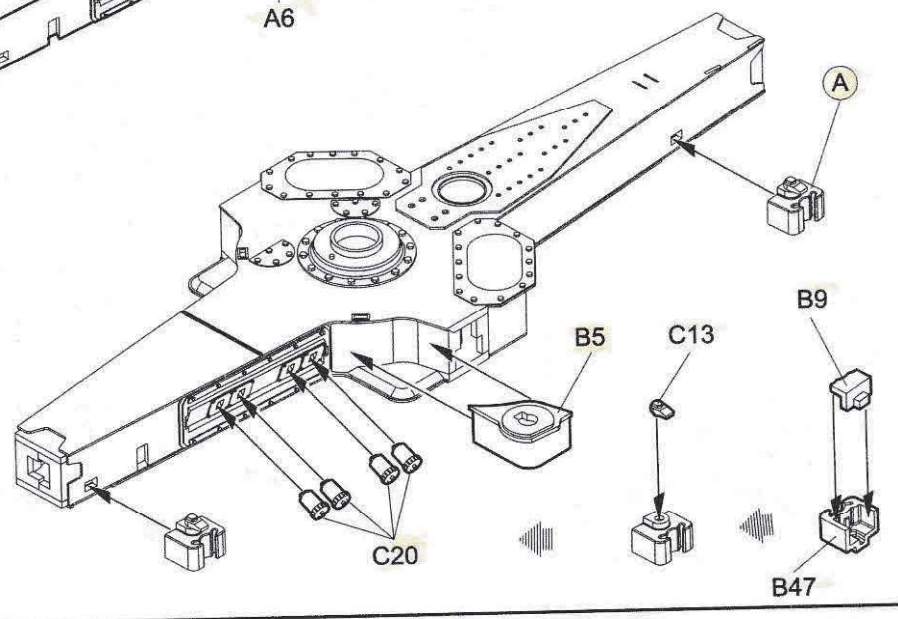
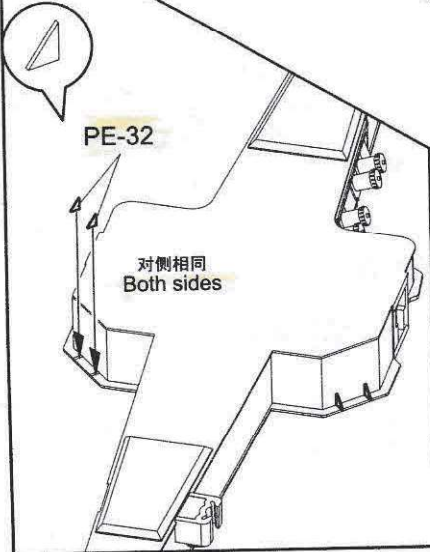
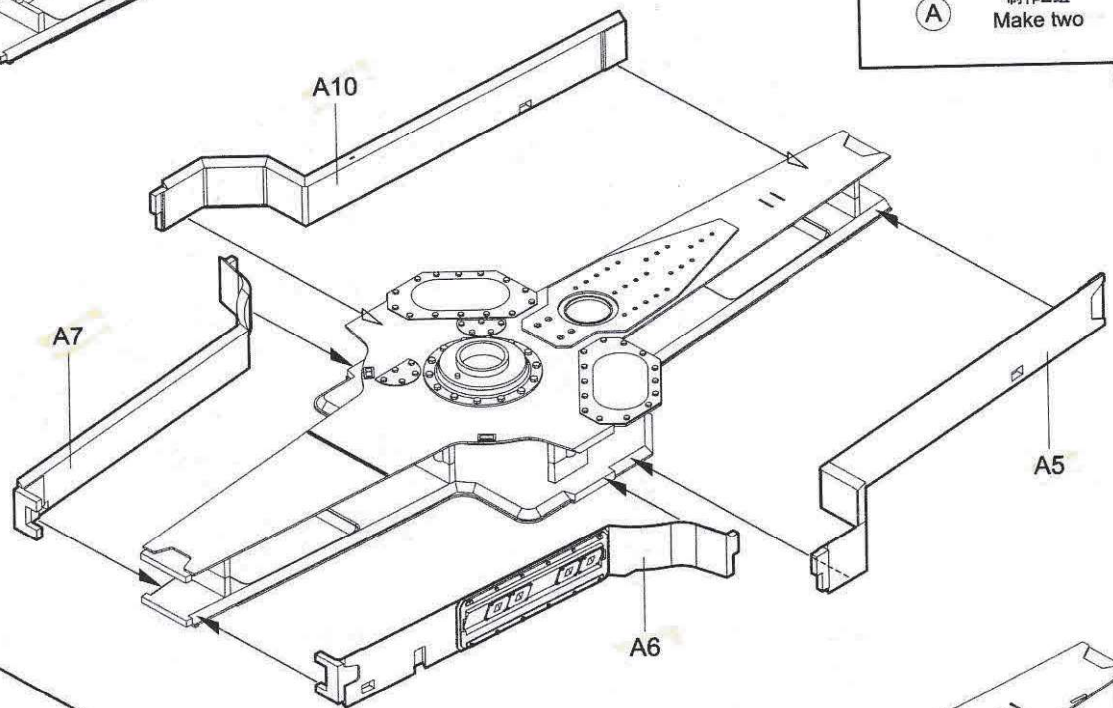
《水贴》
Decal



1



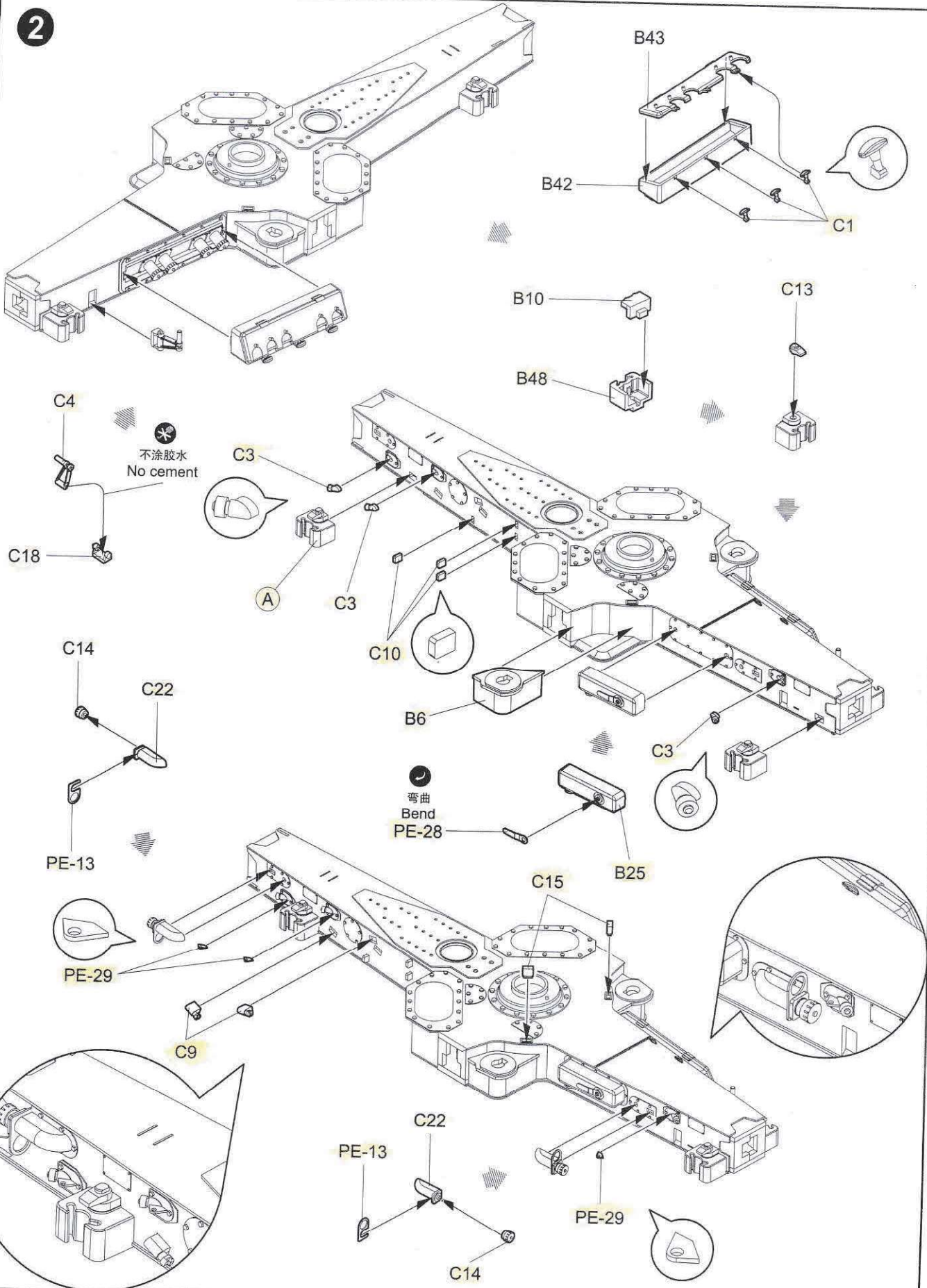
制作2组
Make two



02353

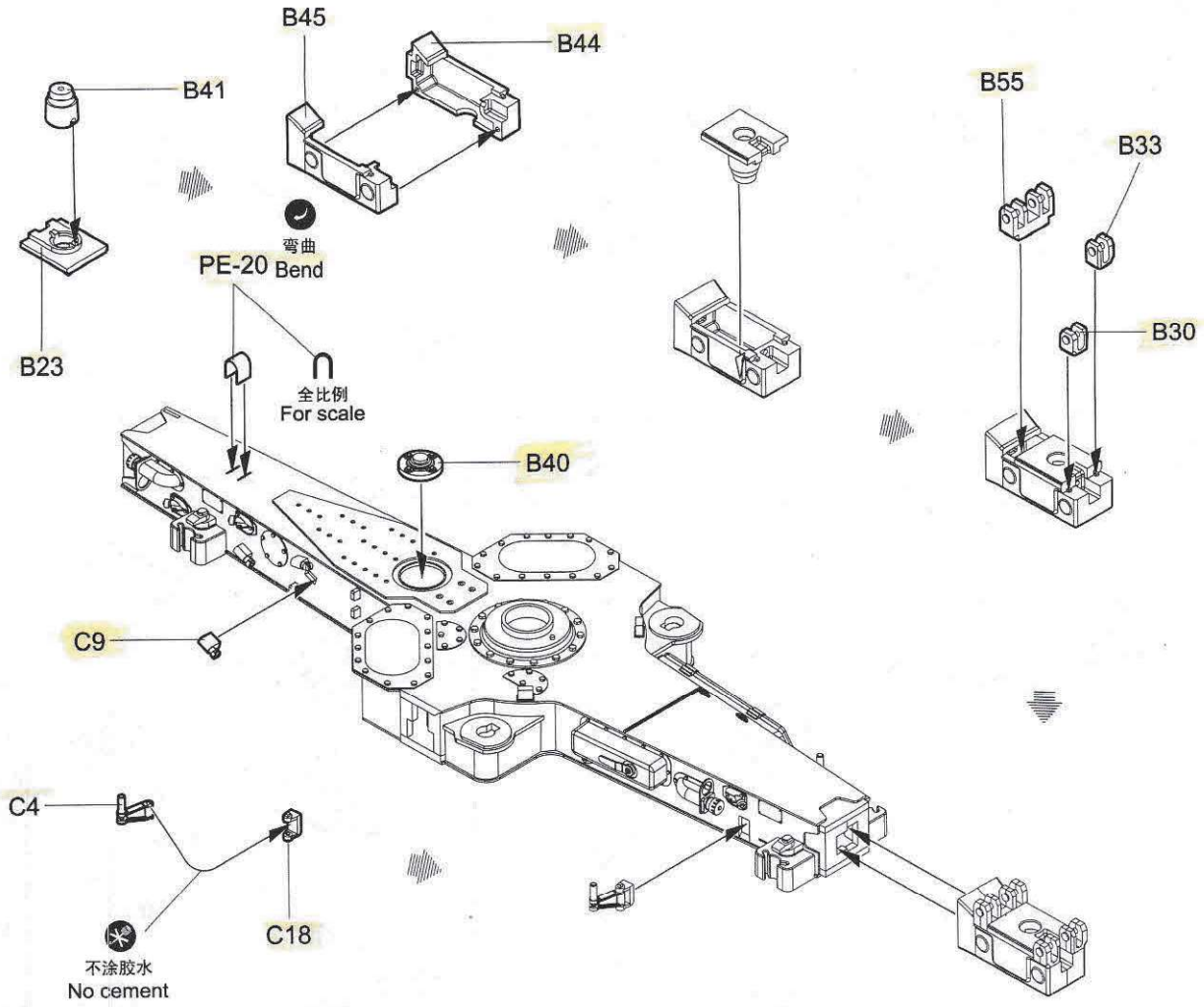
3

2

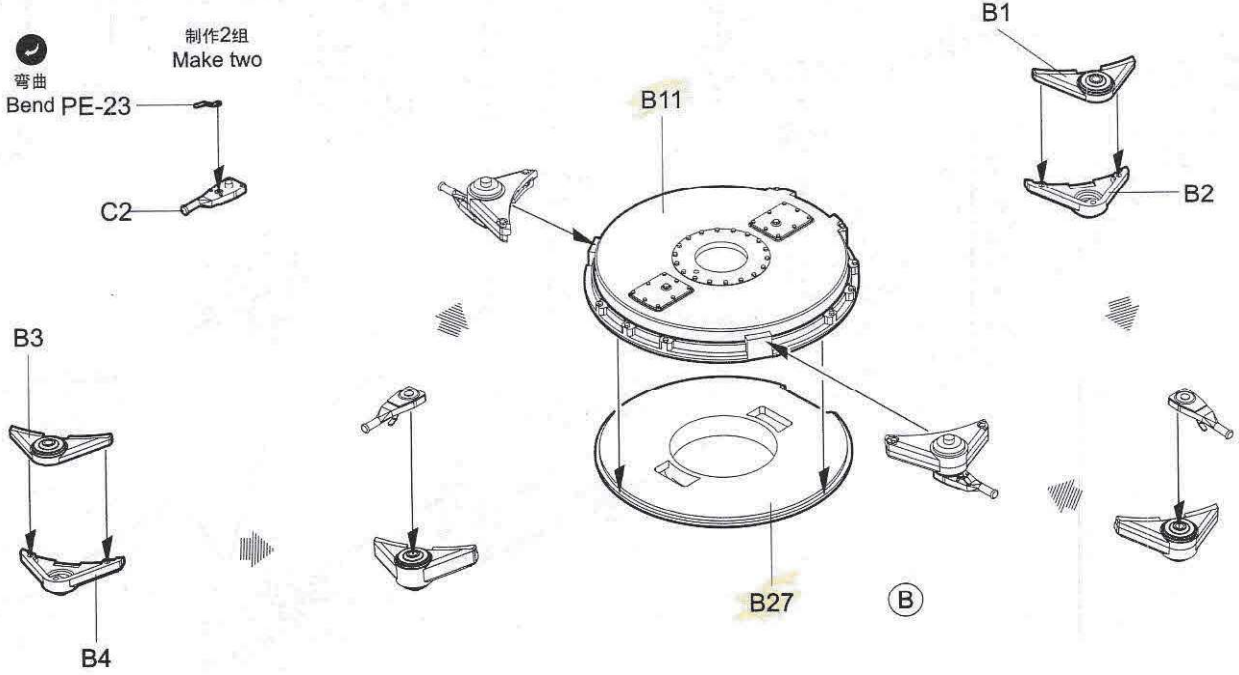


02353

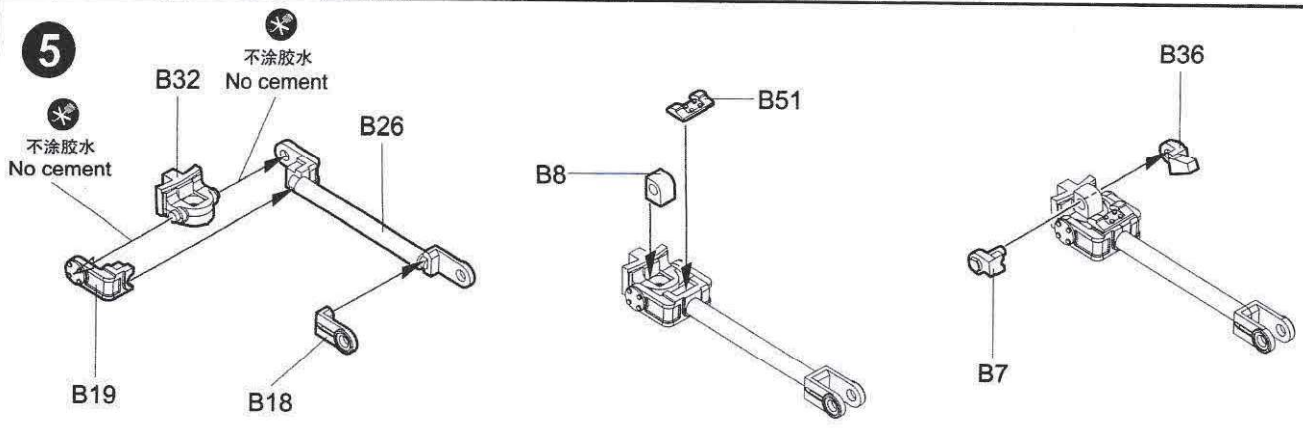
3



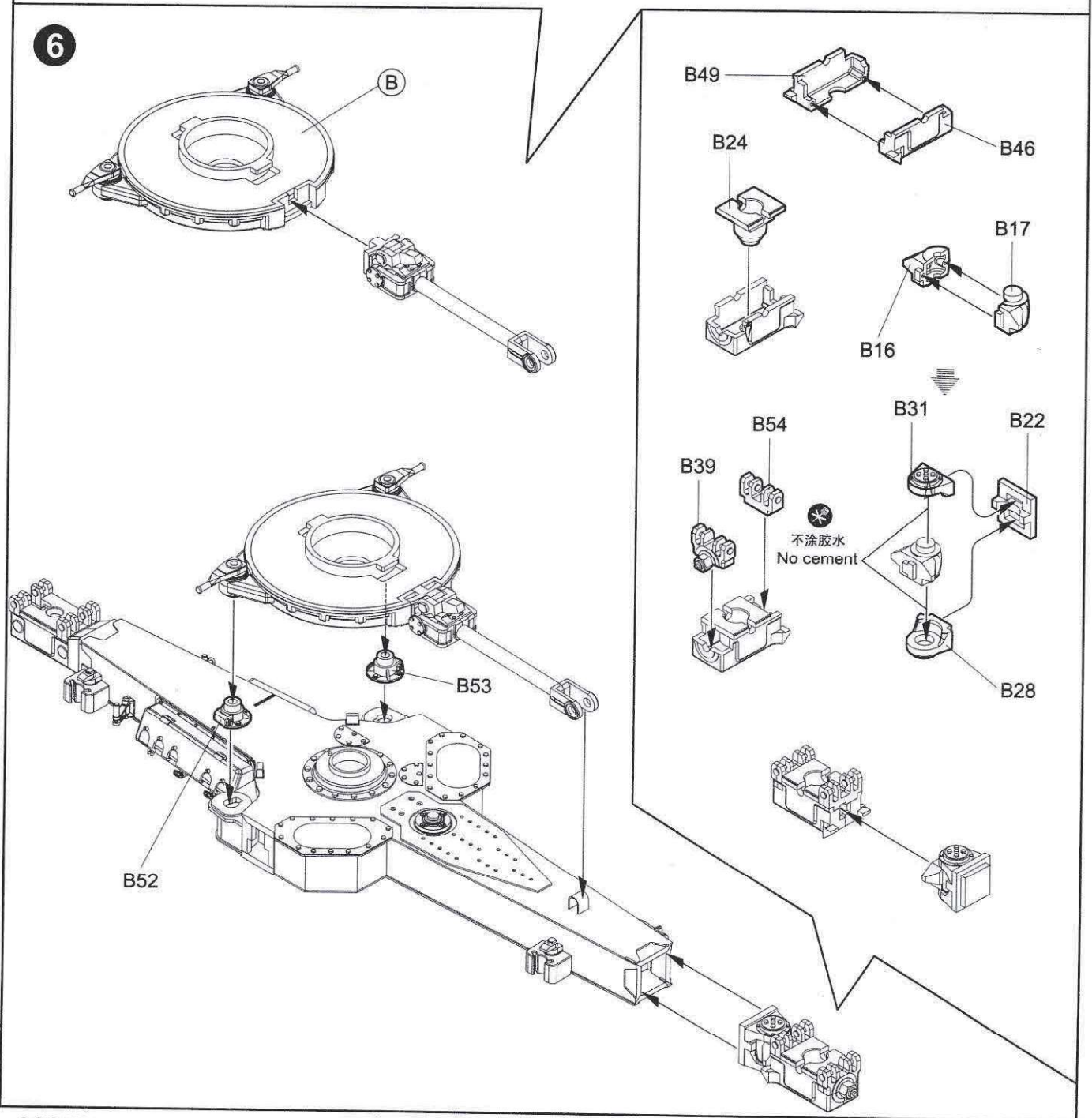
4



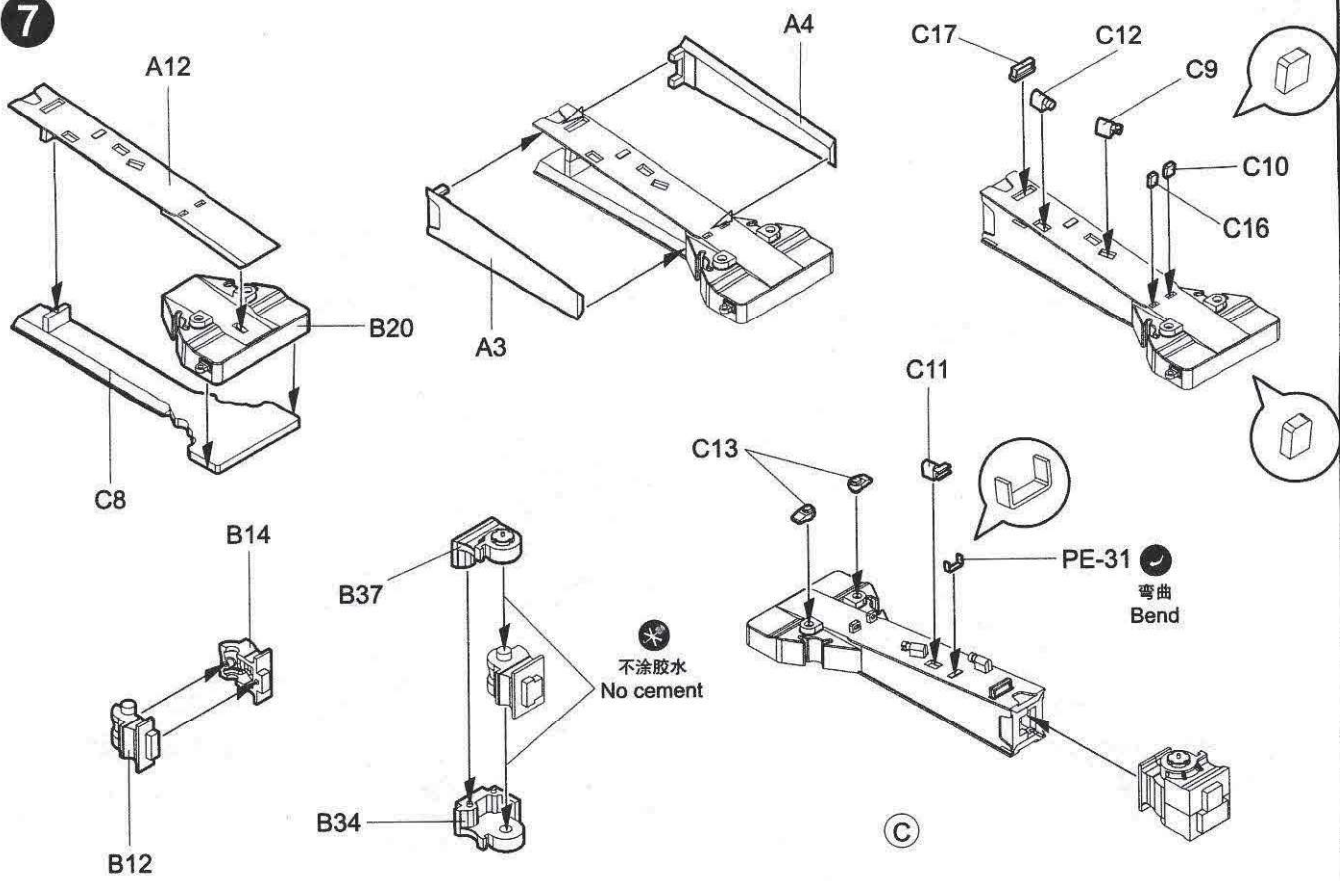
5



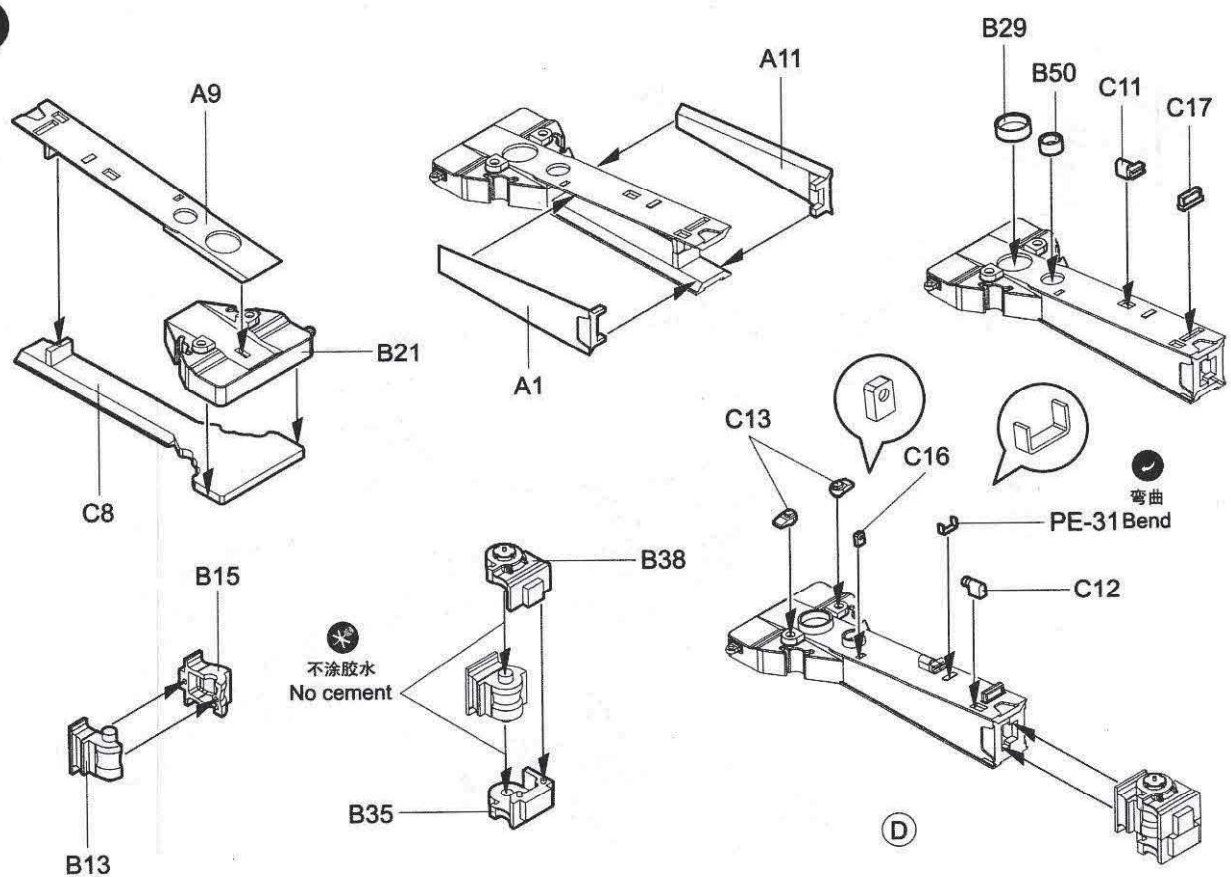
6



7

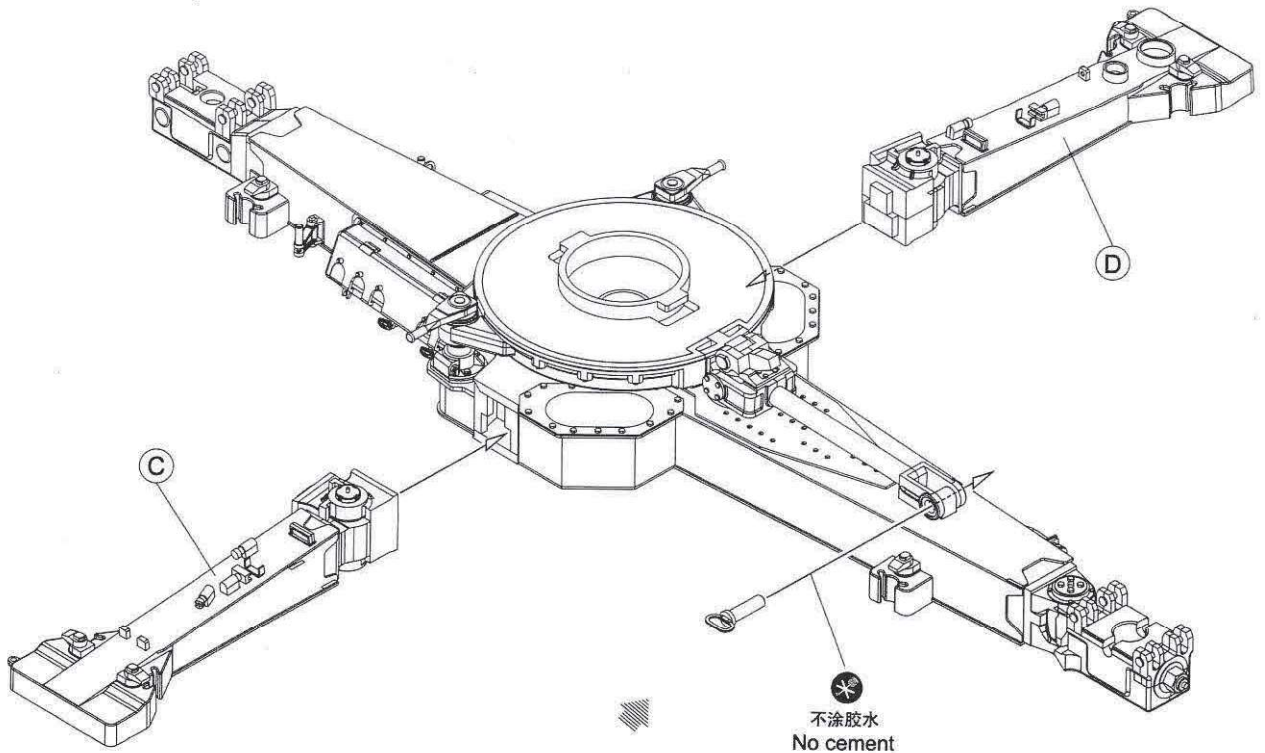


8

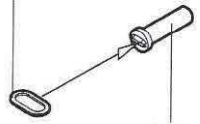


02353

9

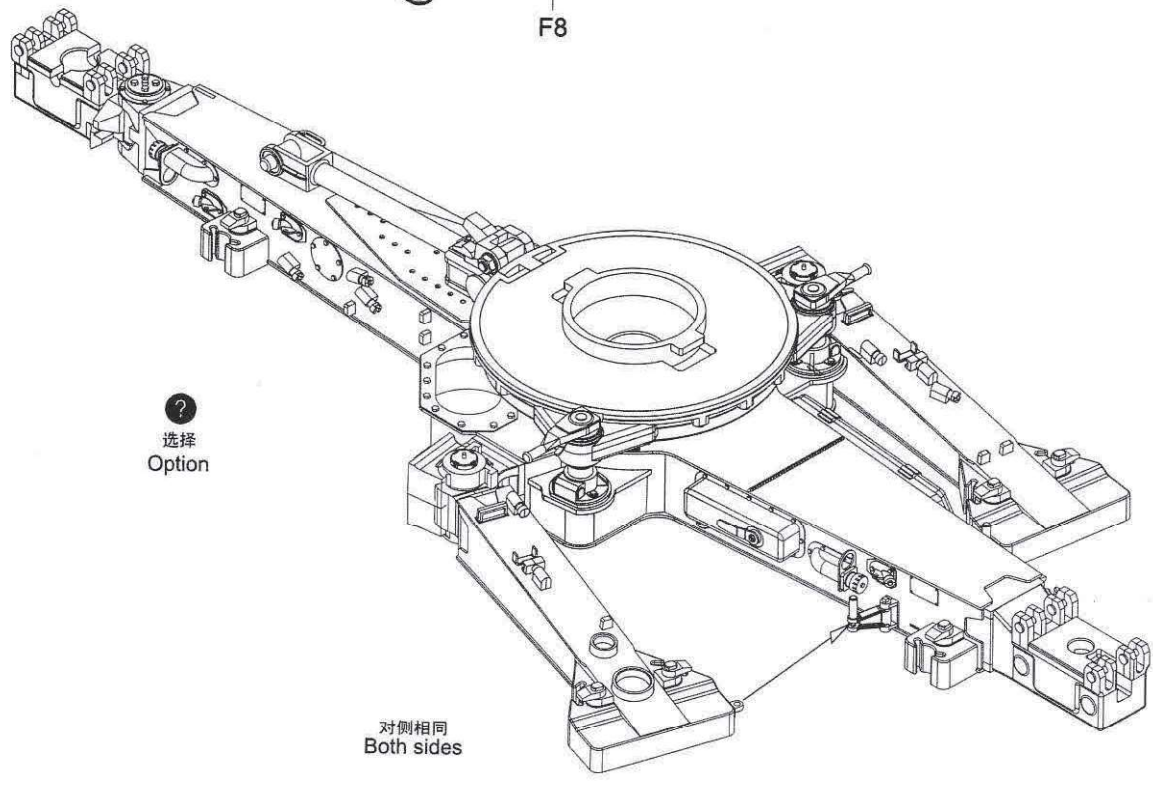


PE-10



F8

《A-A》



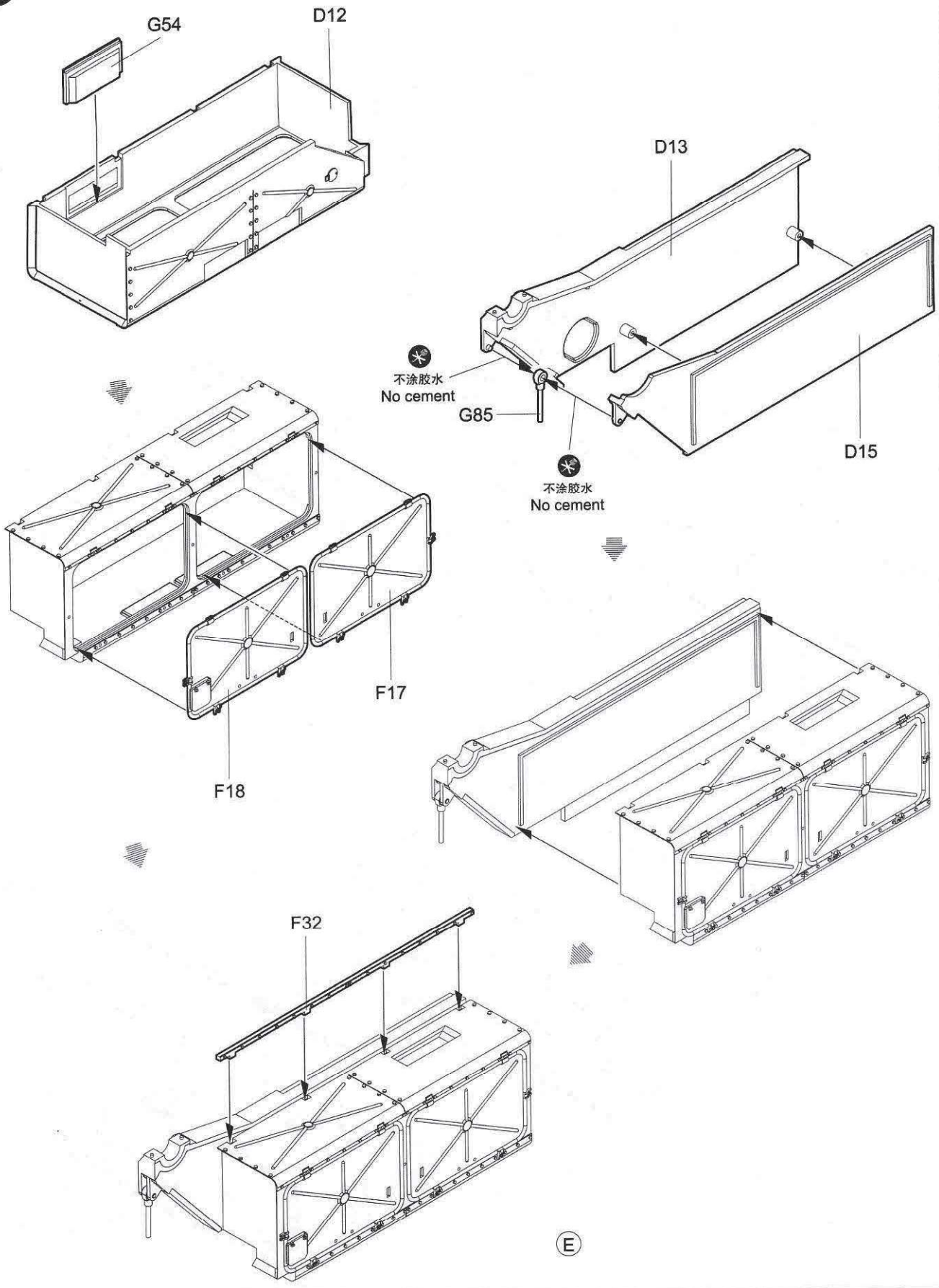
选择
Option

对侧相同
Both sides

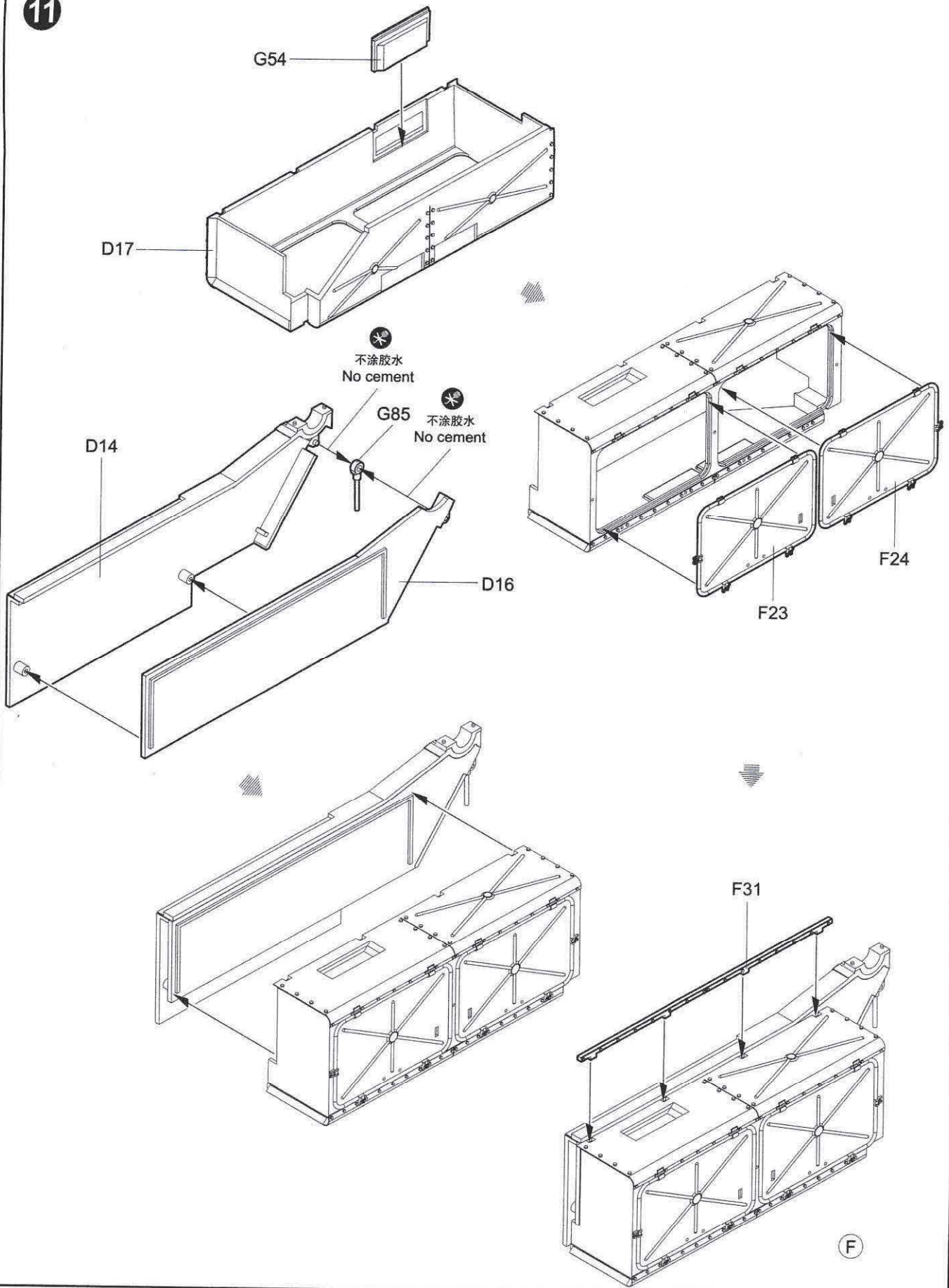
02353

8

10



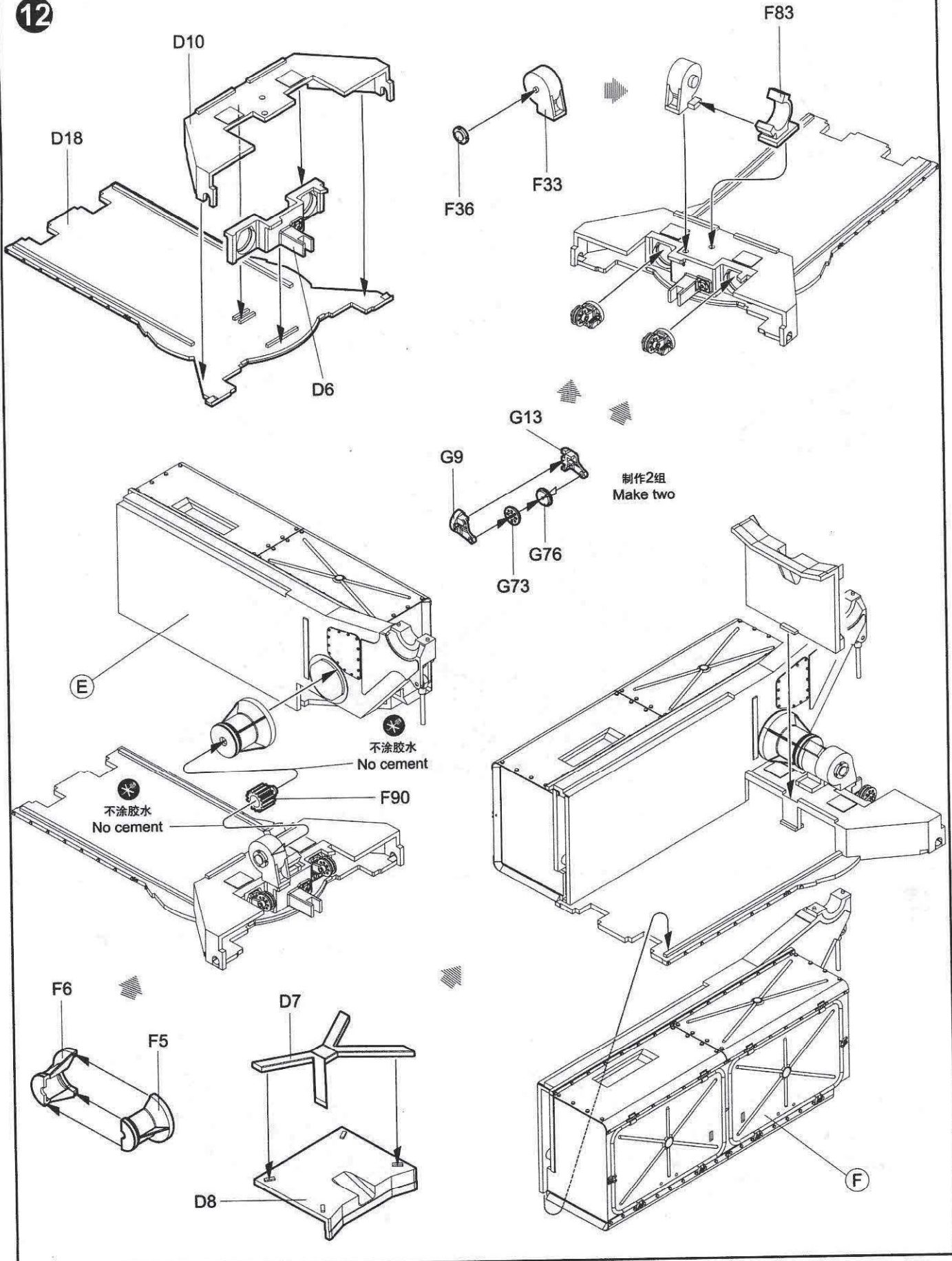
11



02353

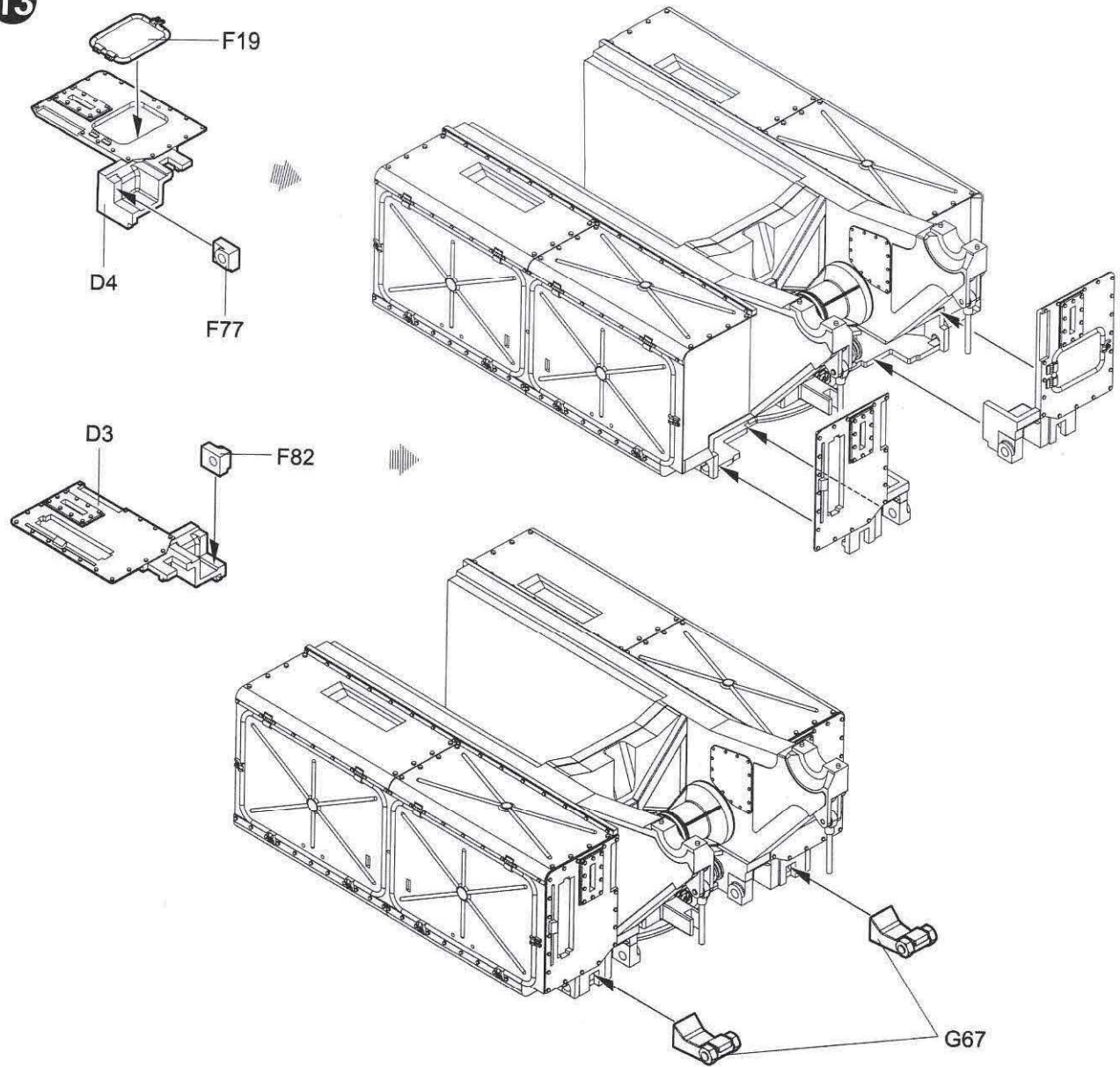
10

12

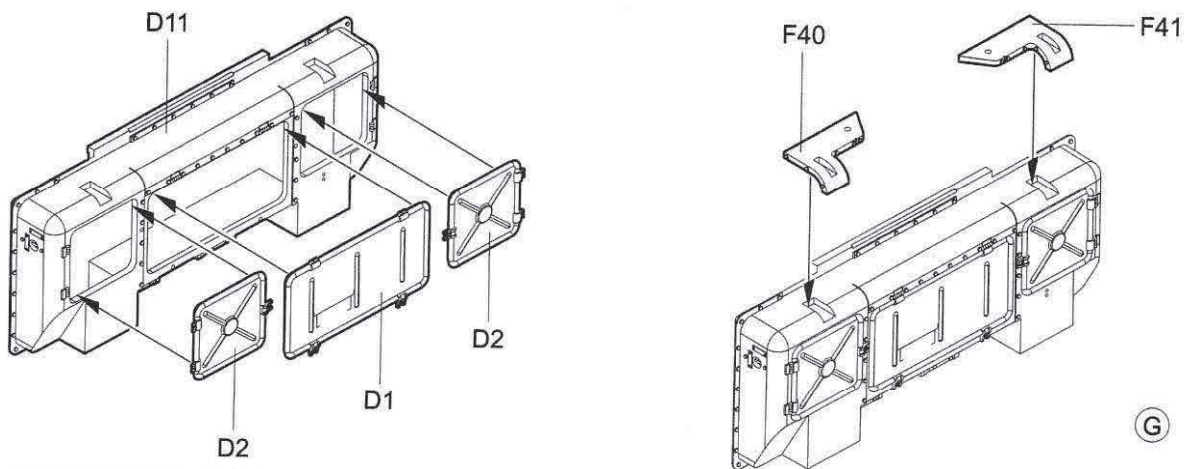


02353

13



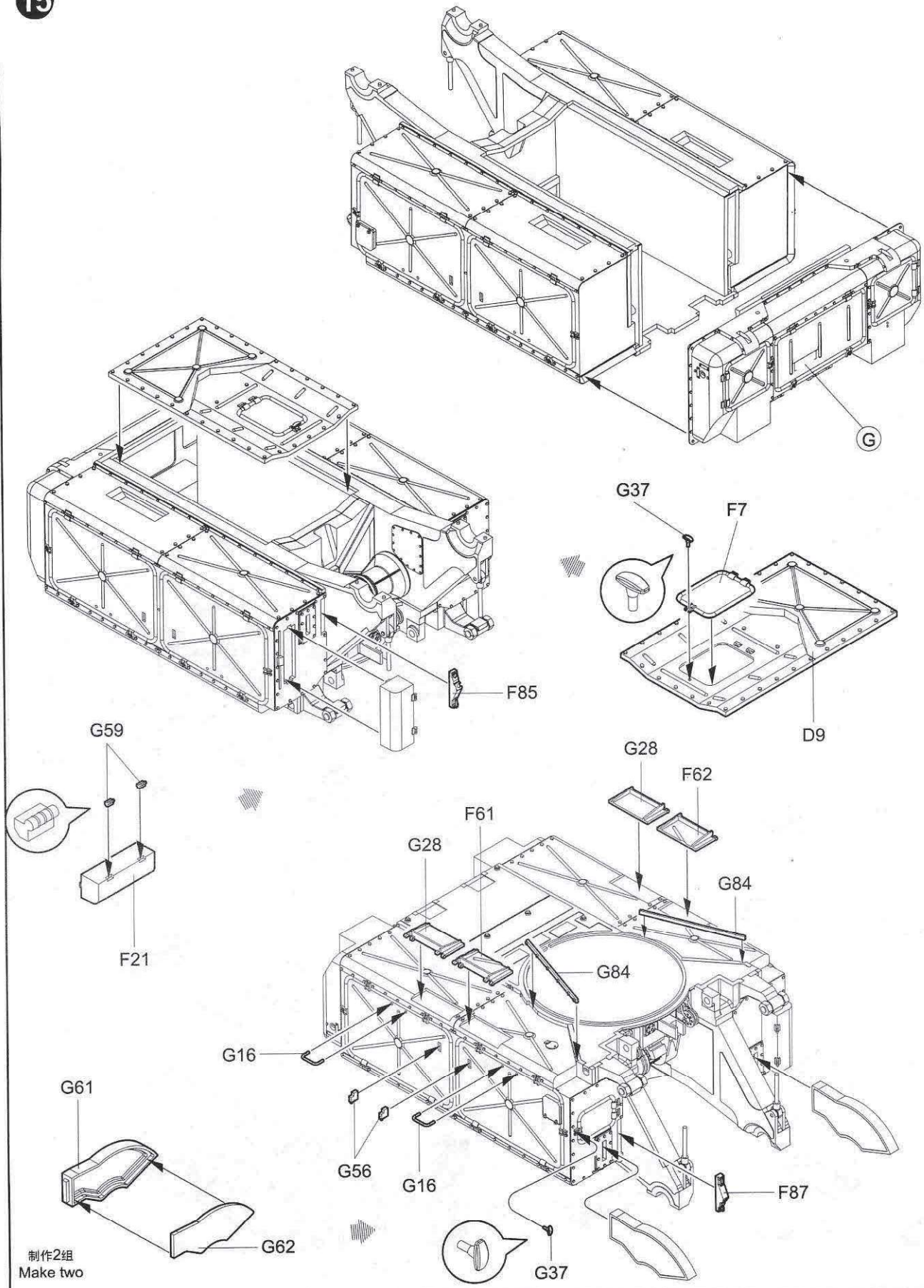
14

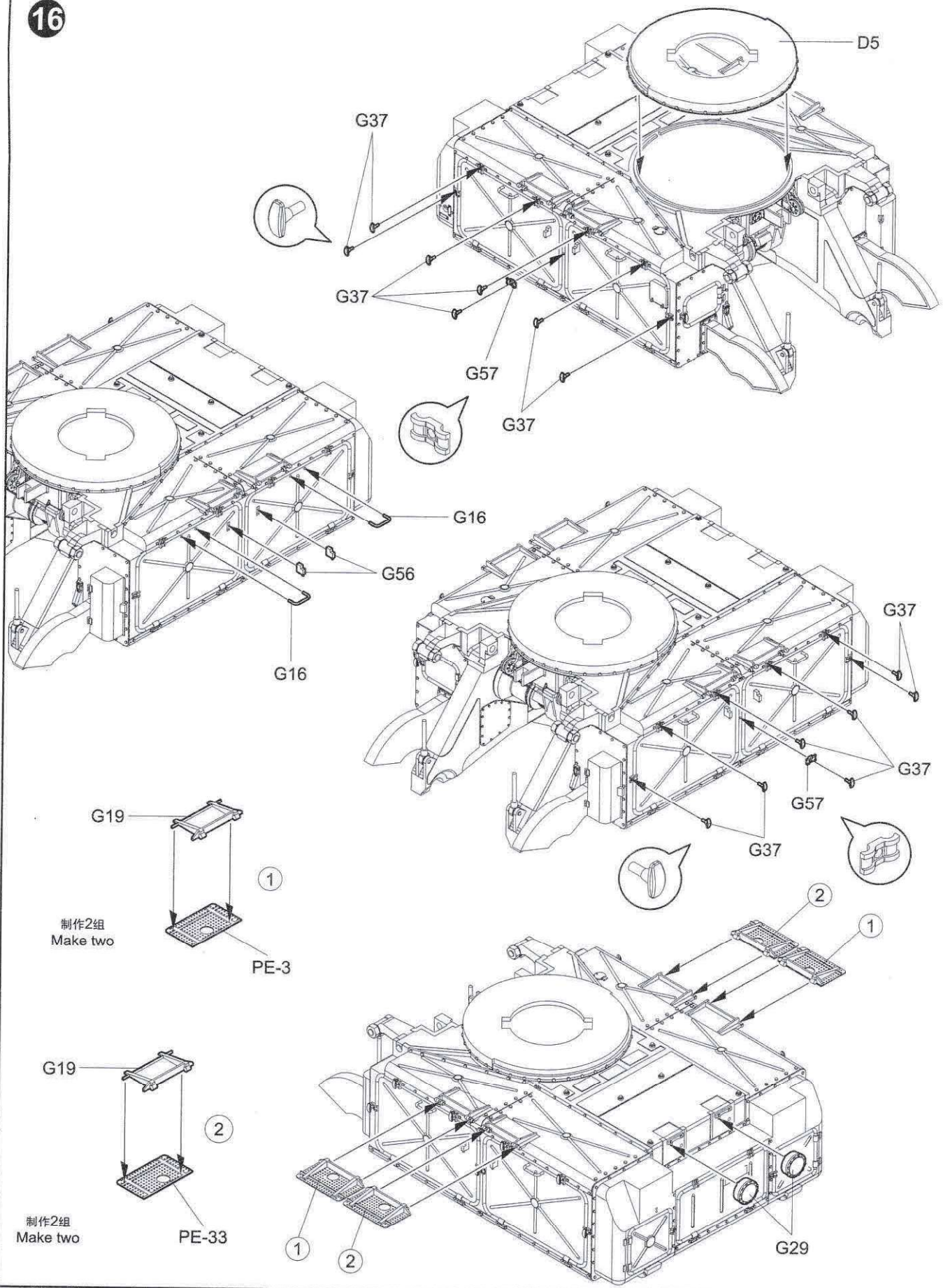


G

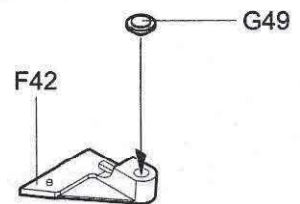
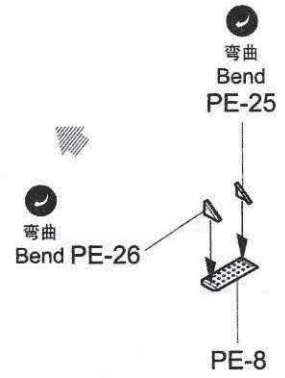
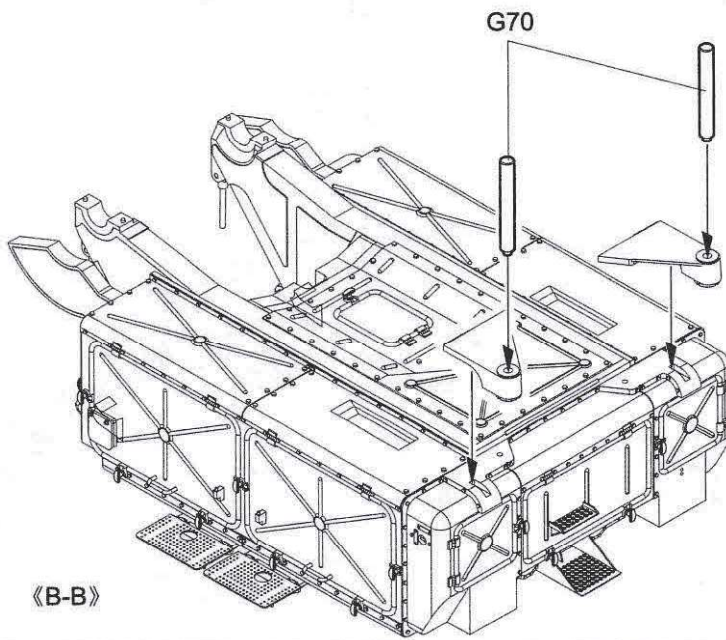
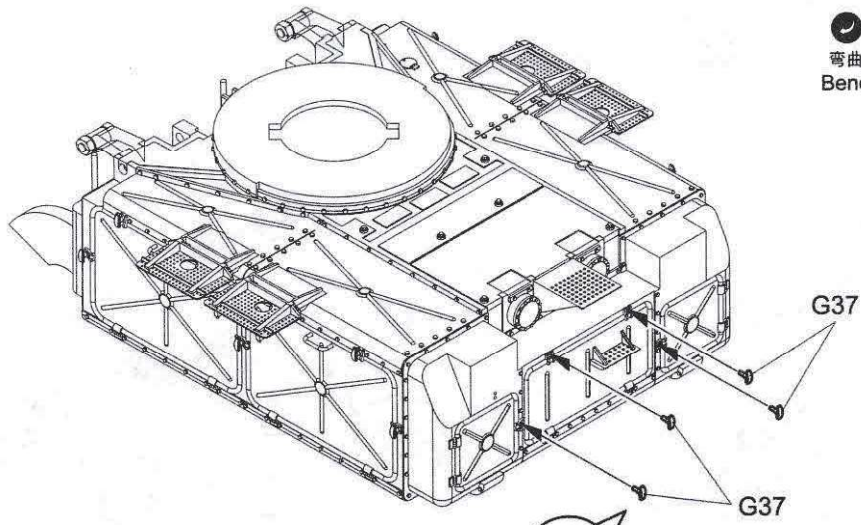
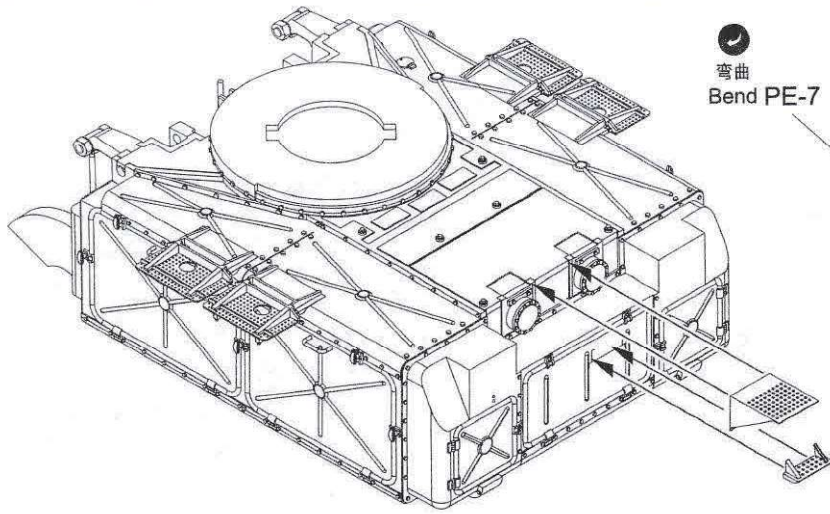
02353

12

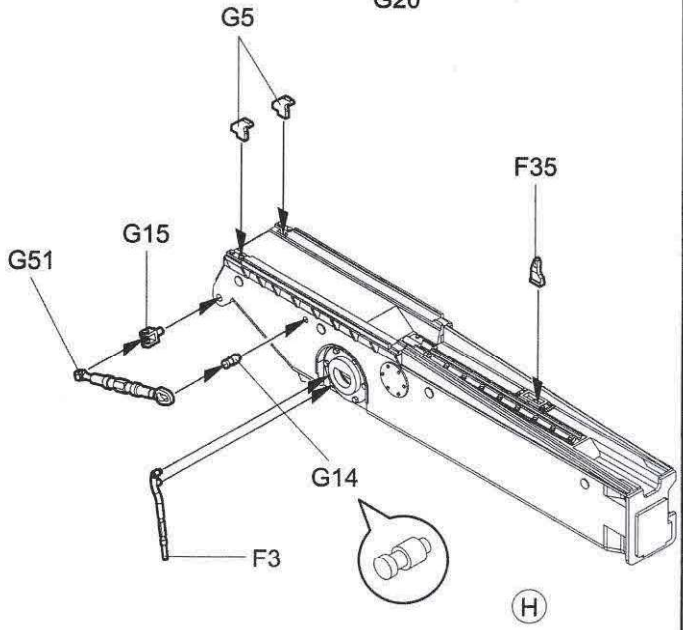
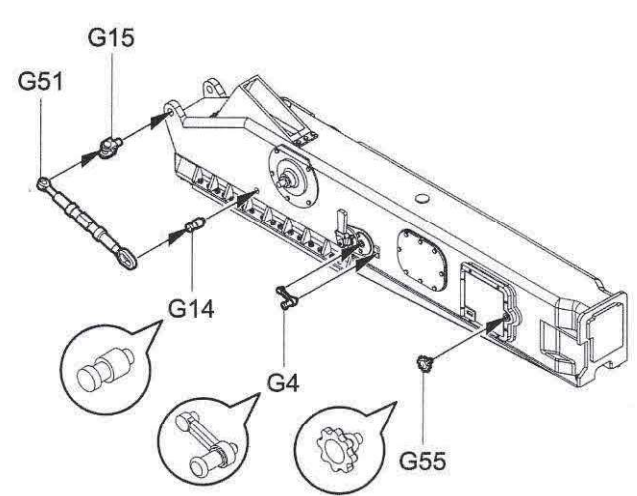
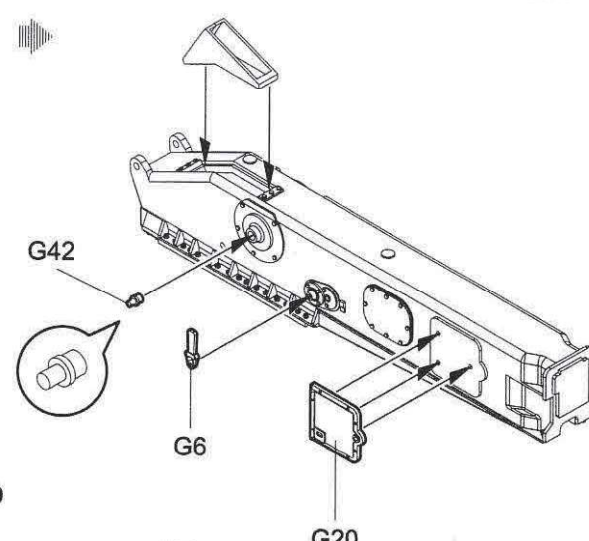
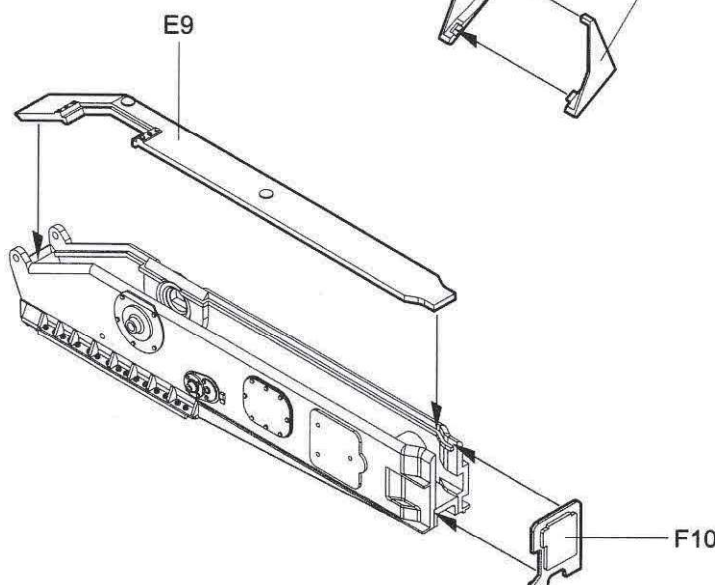
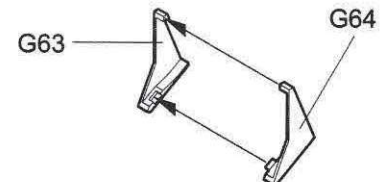
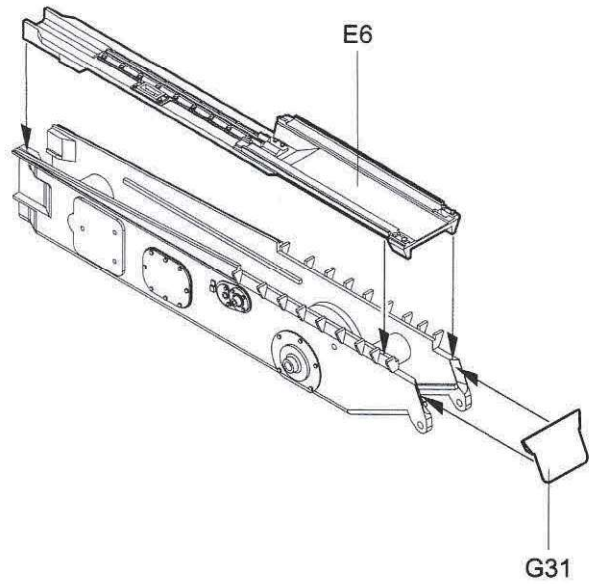
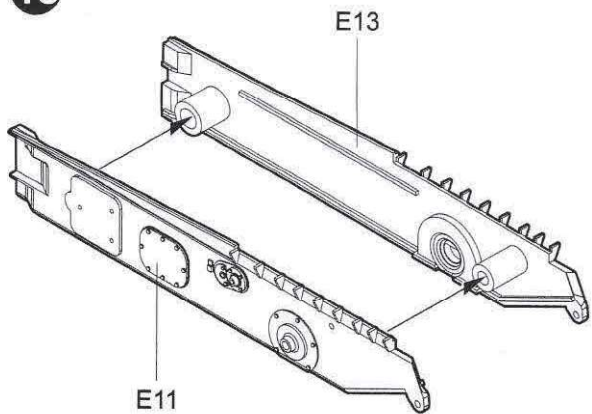




17

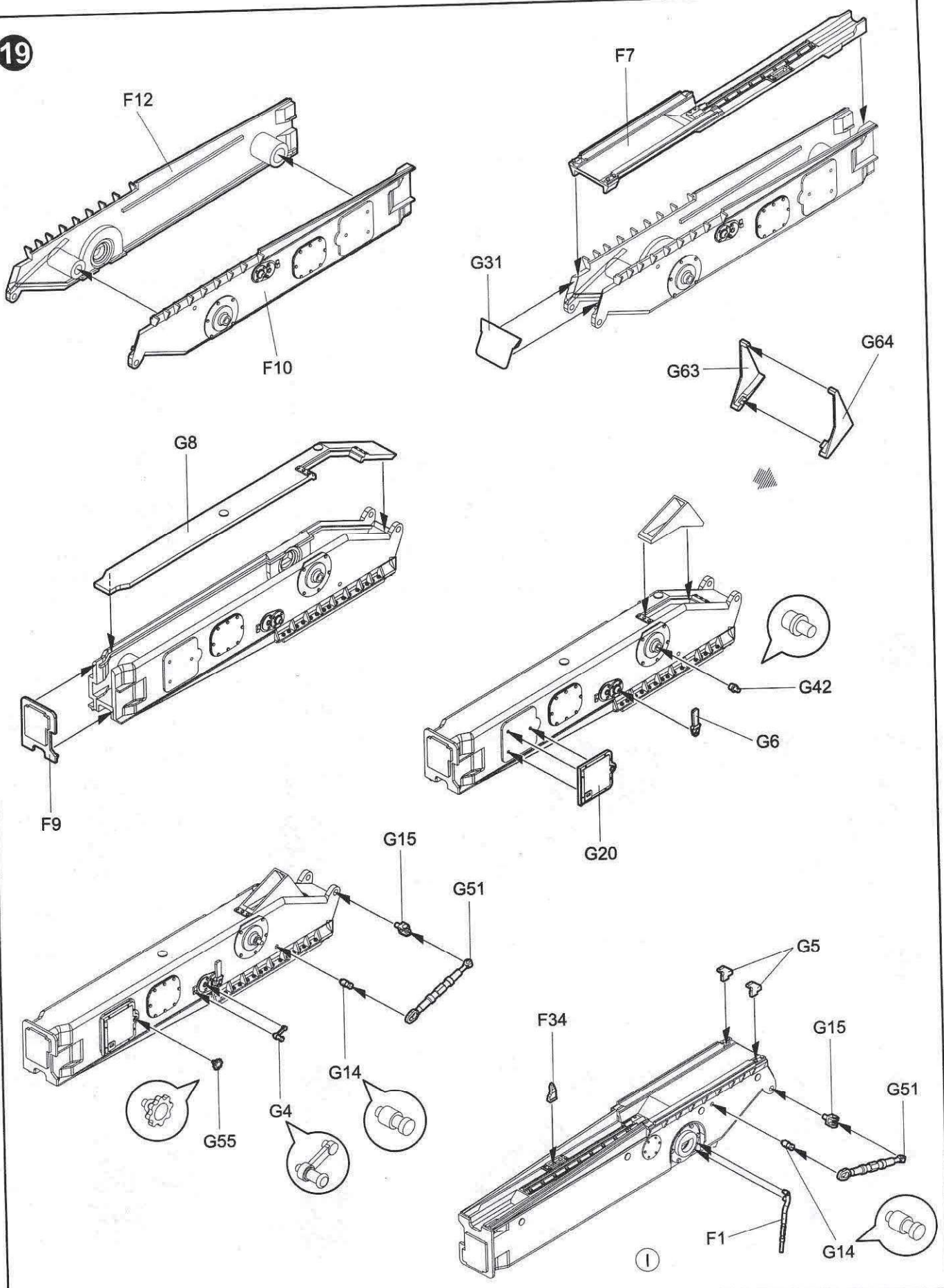


18



(H)

19



02353

17

20

PE-14

PE-21

E5

F15

3

F11

G68

F73

G94

G43

G48

G41

G12

G46

E1

E2

G60

G45

F56

G68

4

5

G71

G50

G50

G74

制作2组
Make two

21

G52

F52

G23

G26

5

G65

F60

G66

F51

G3

G2

G3

G2

a

22

G52

F54

G23

G26

5

G65

F59

G66

F53

G3

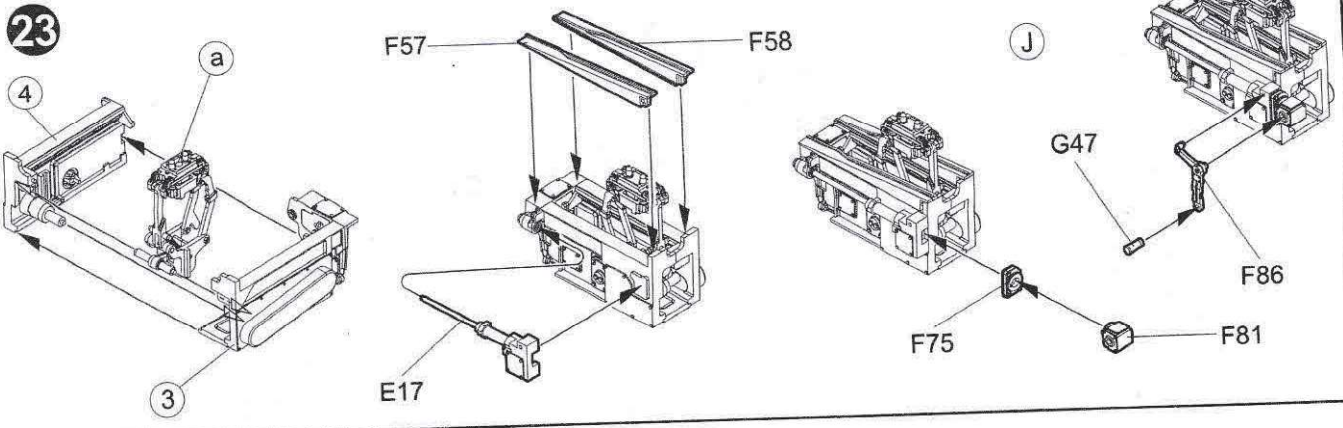
G2

G3

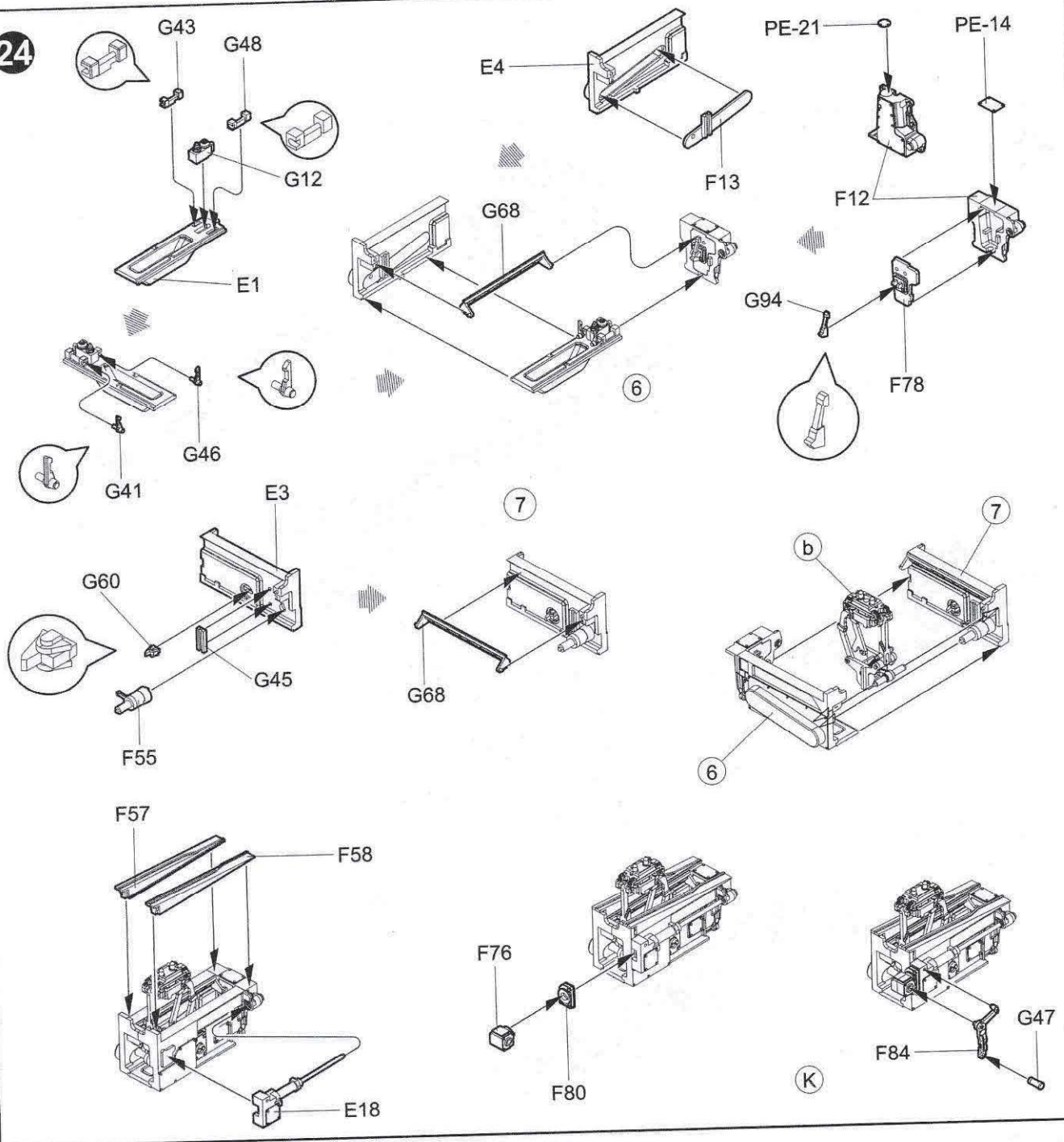
G2

b

23

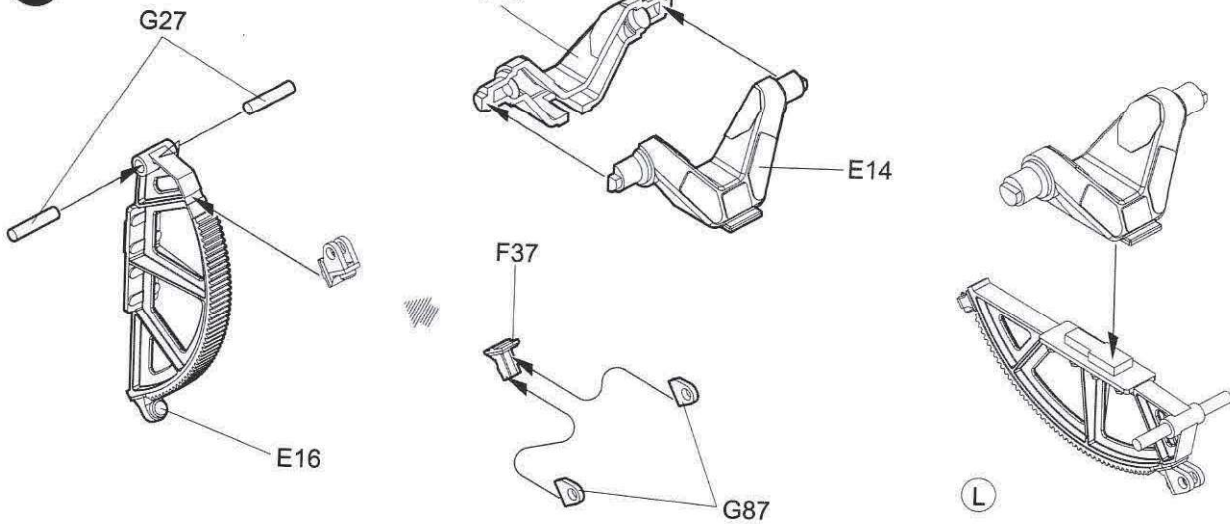


24

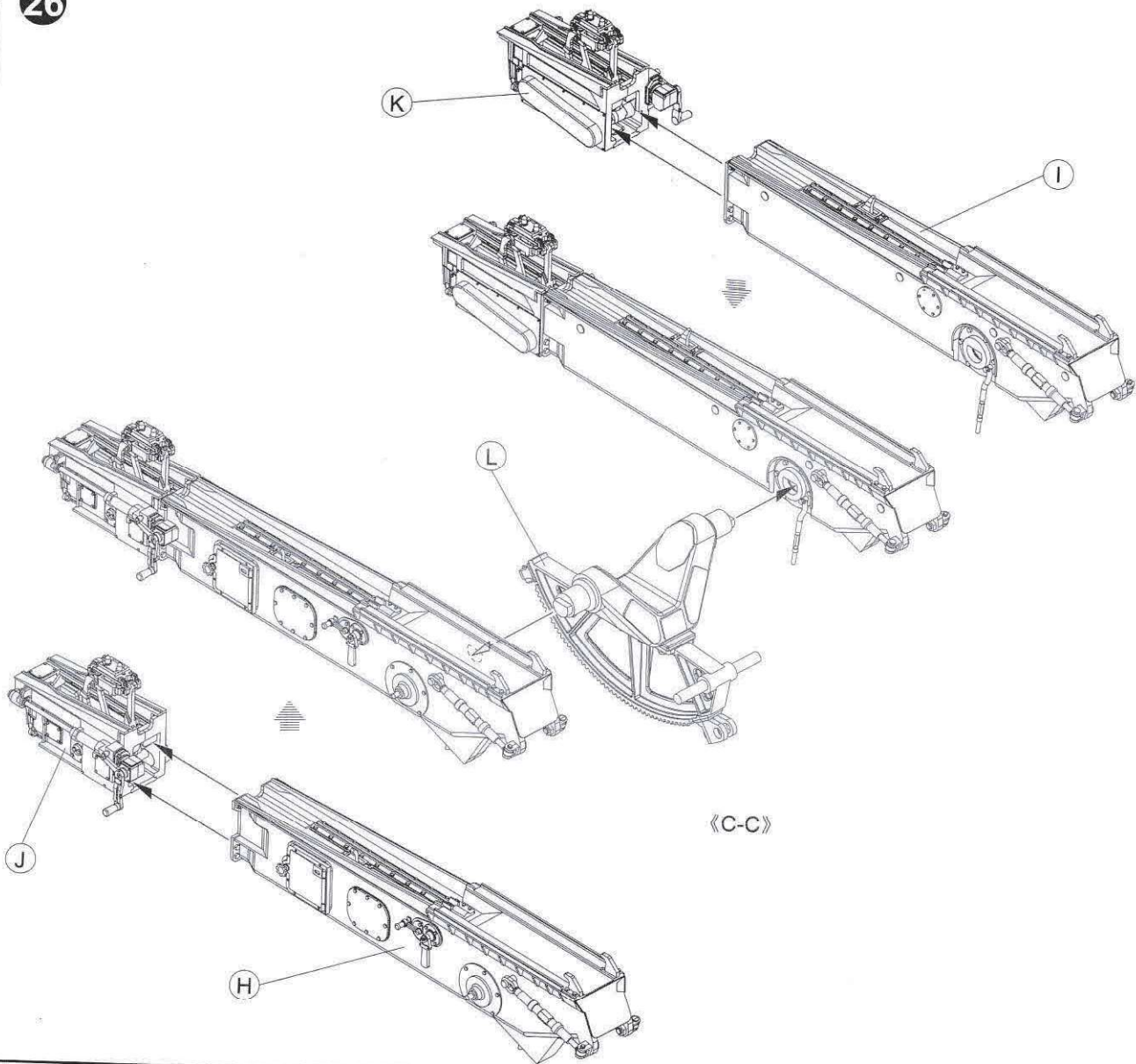


02353

25

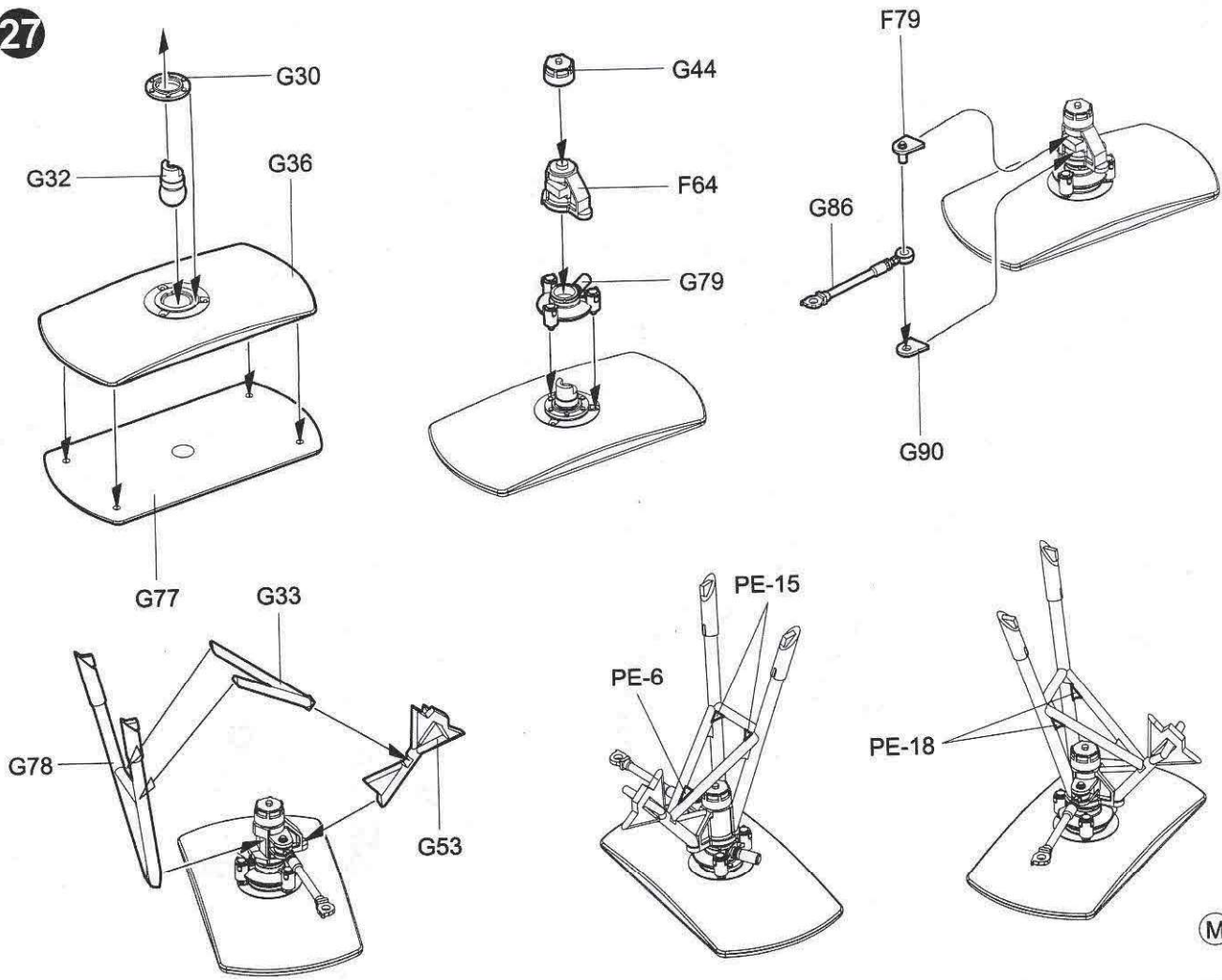


26



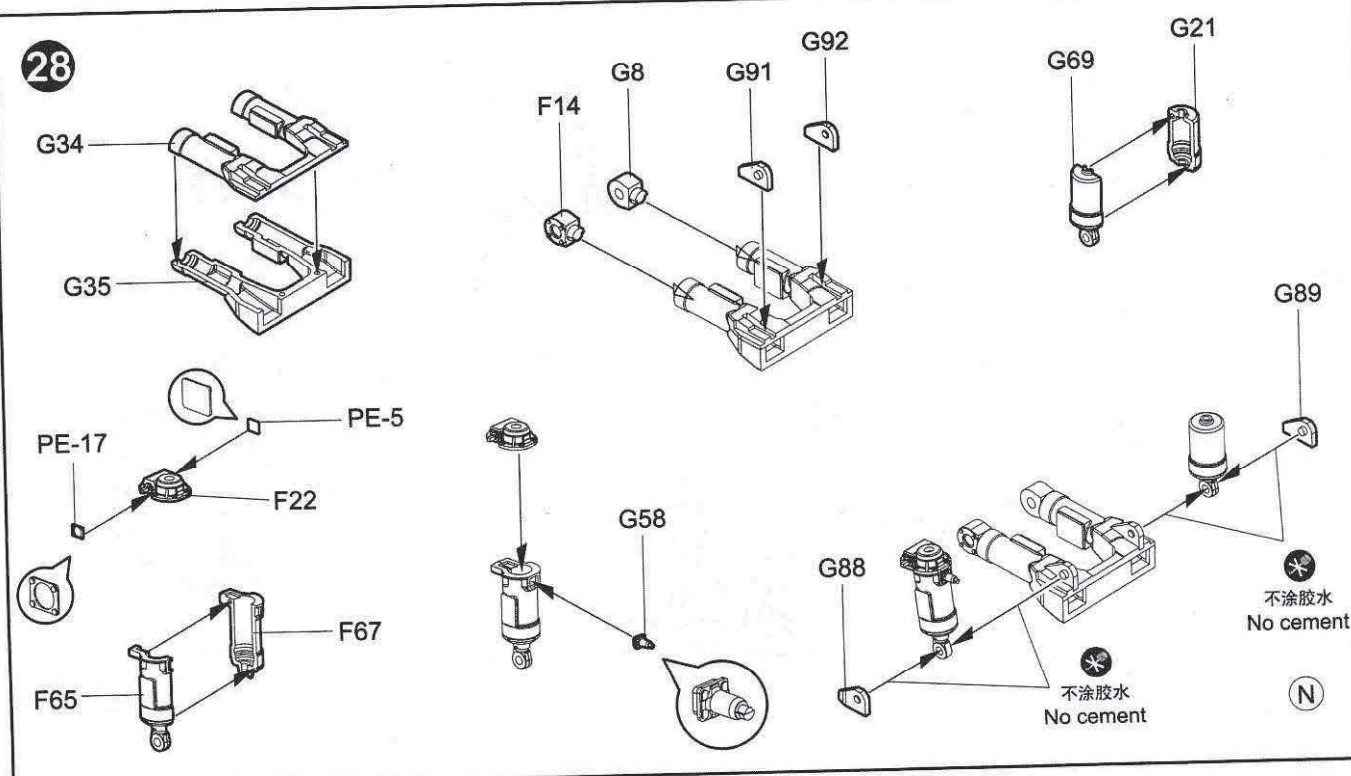
02353

27



(M)

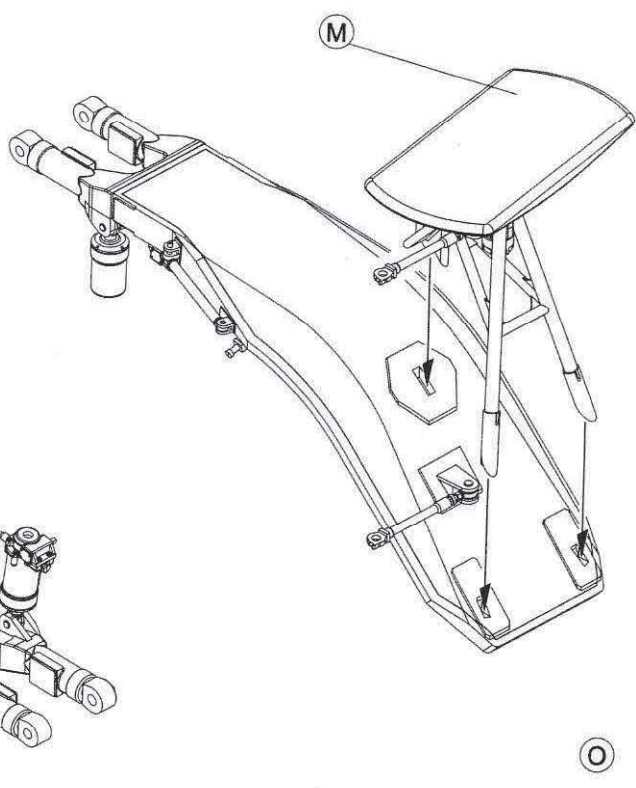
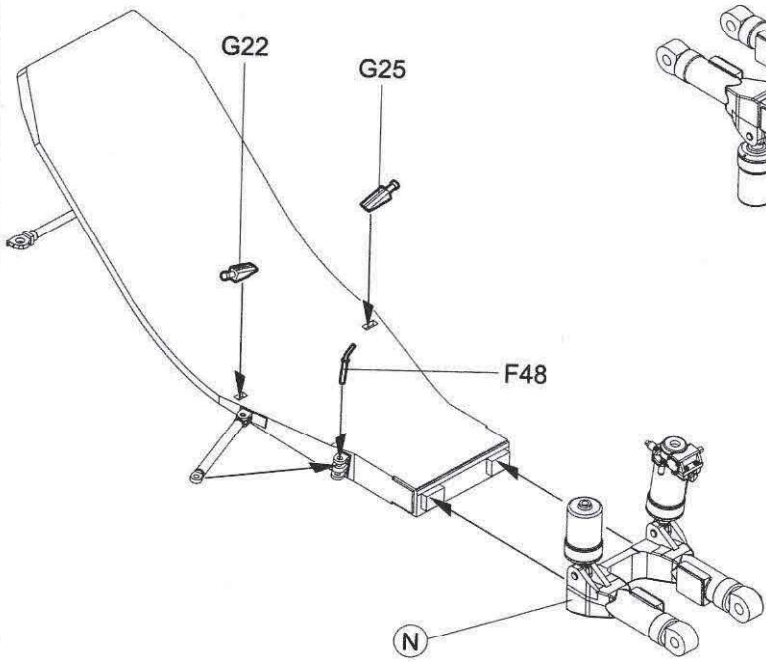
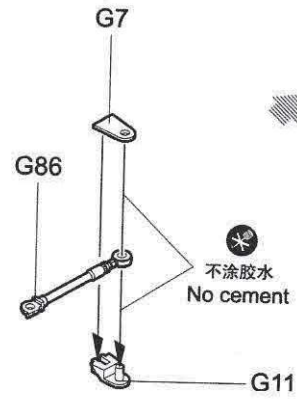
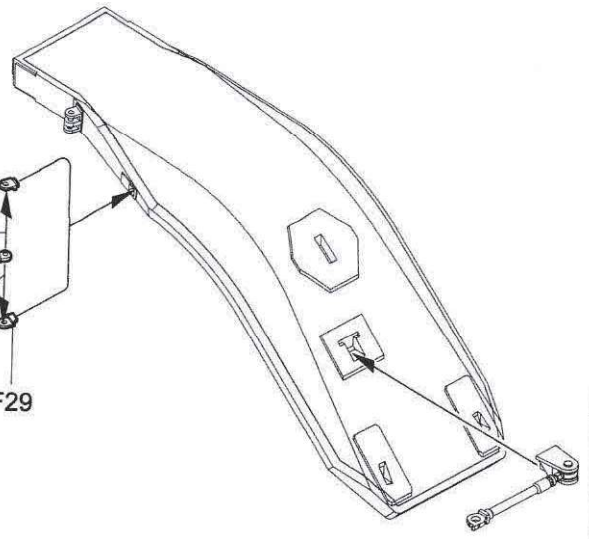
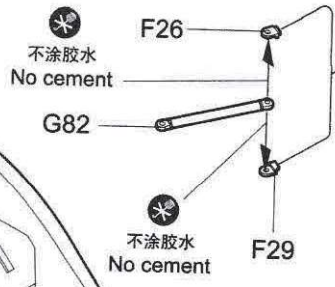
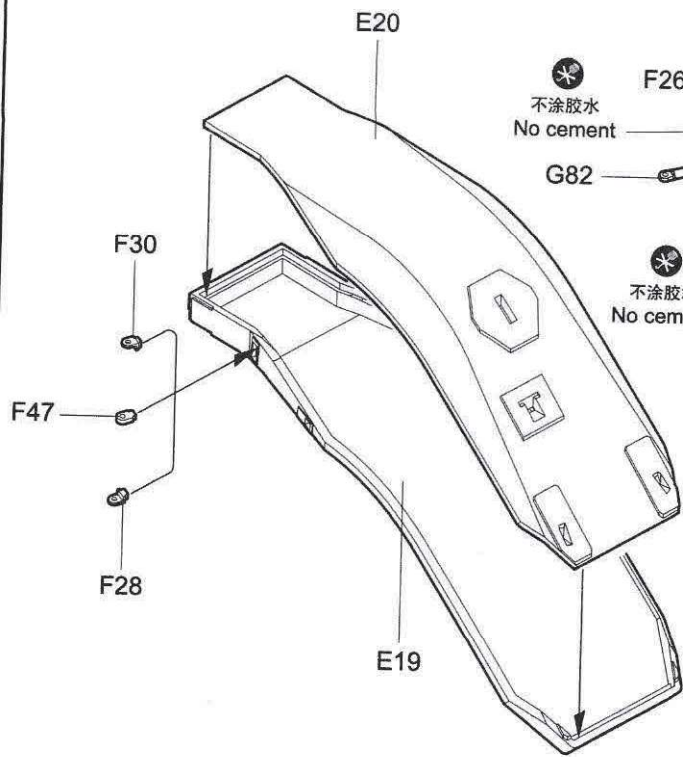
28



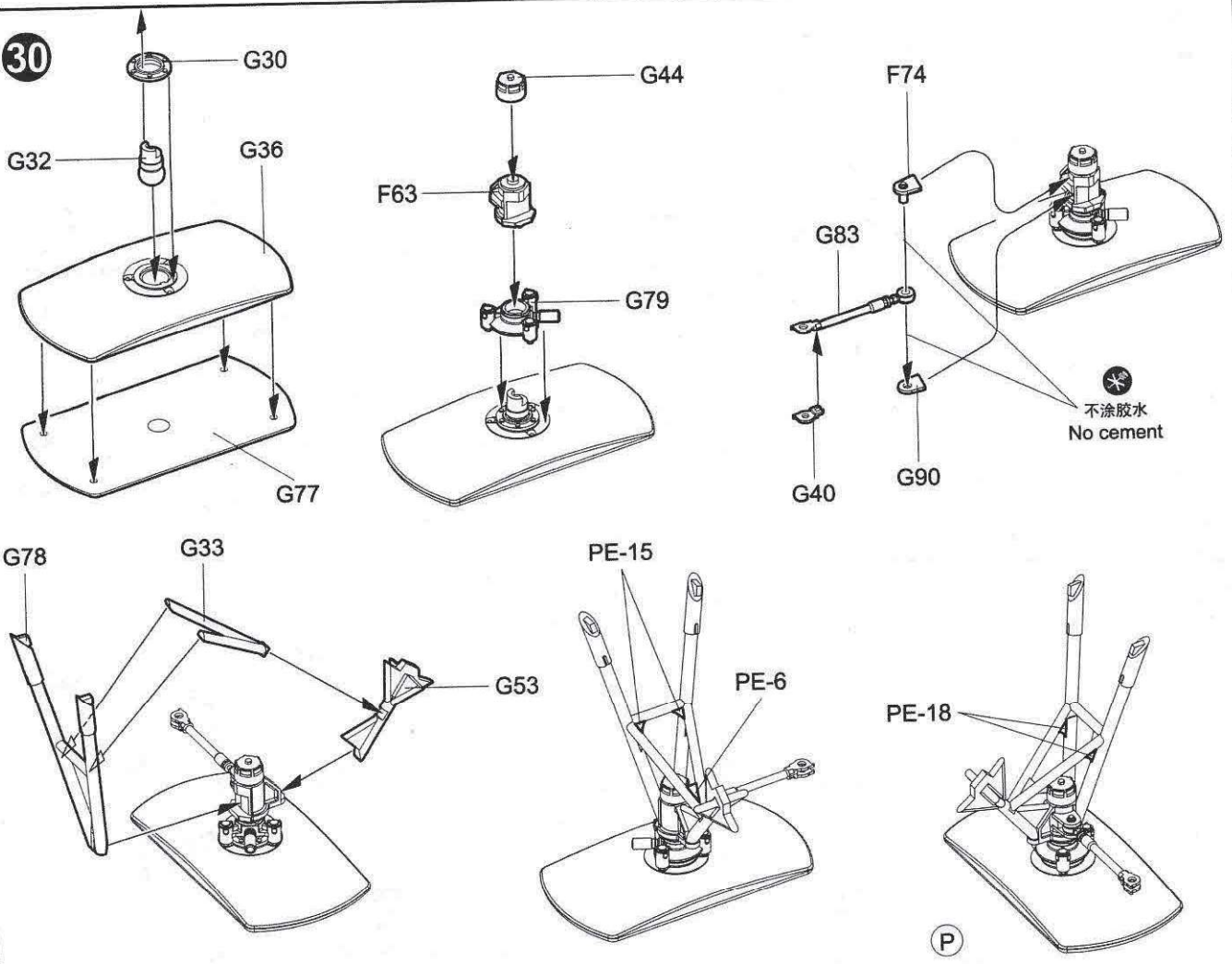
(N)

02353

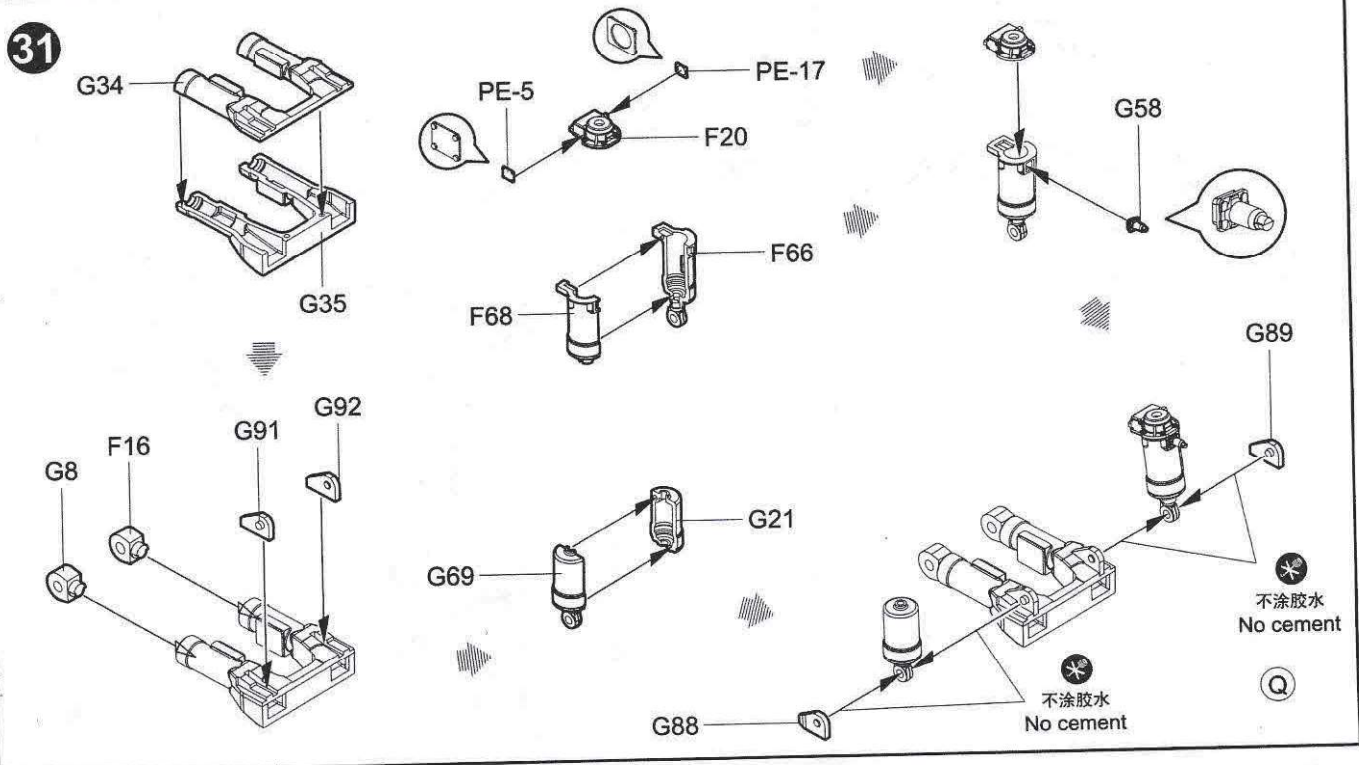
21



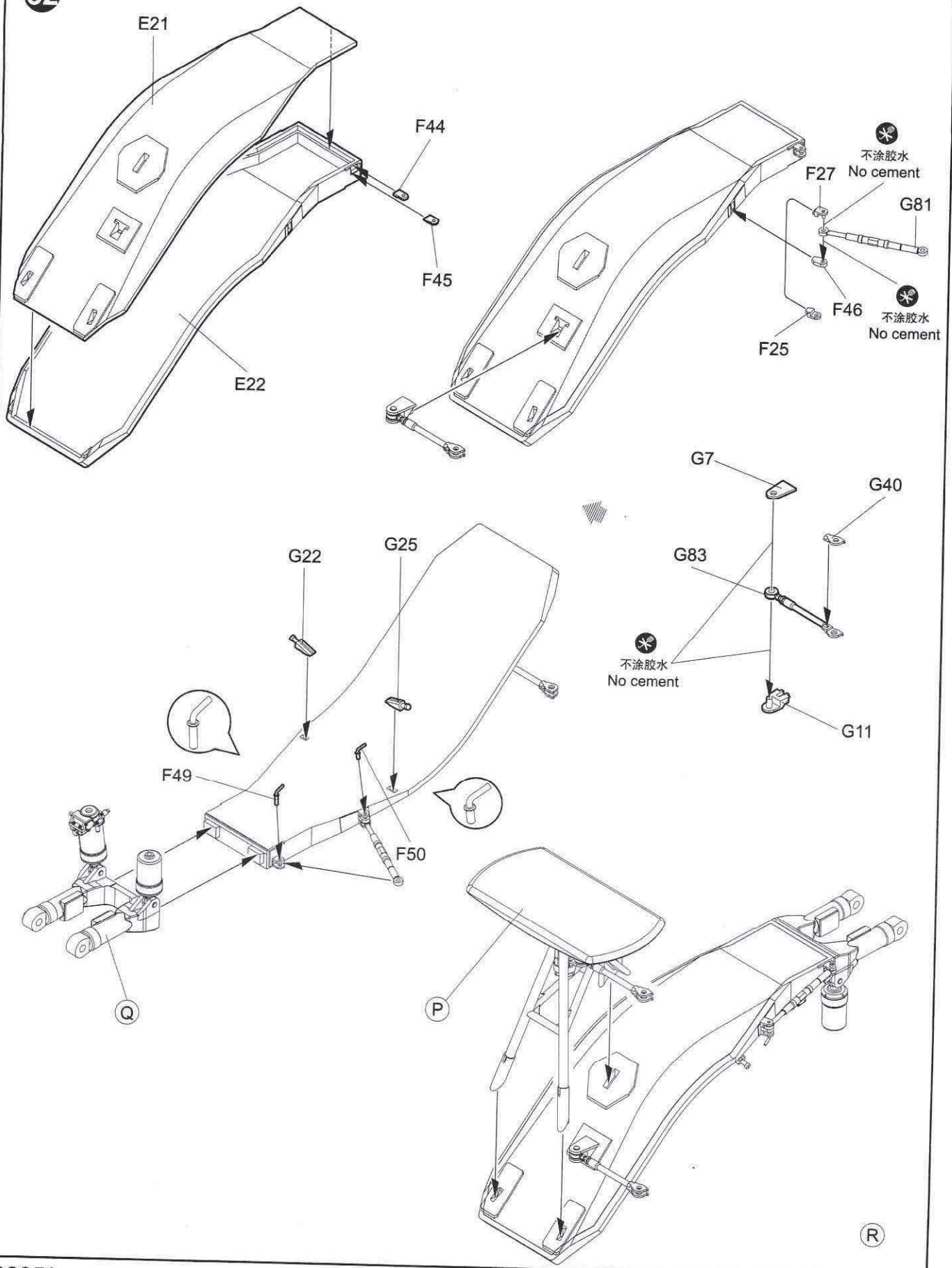
30



31



32

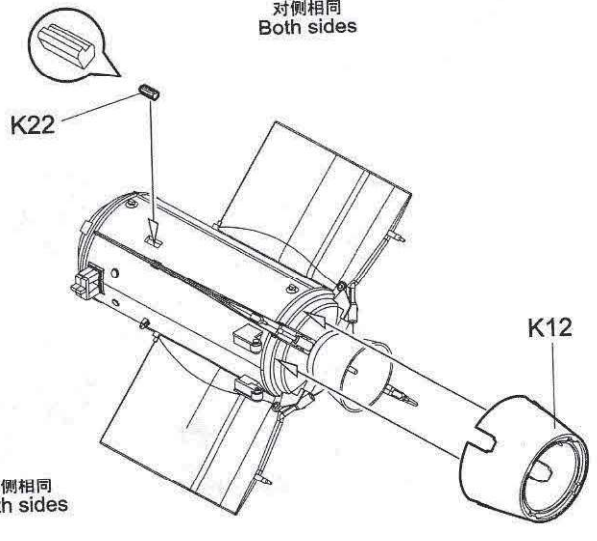
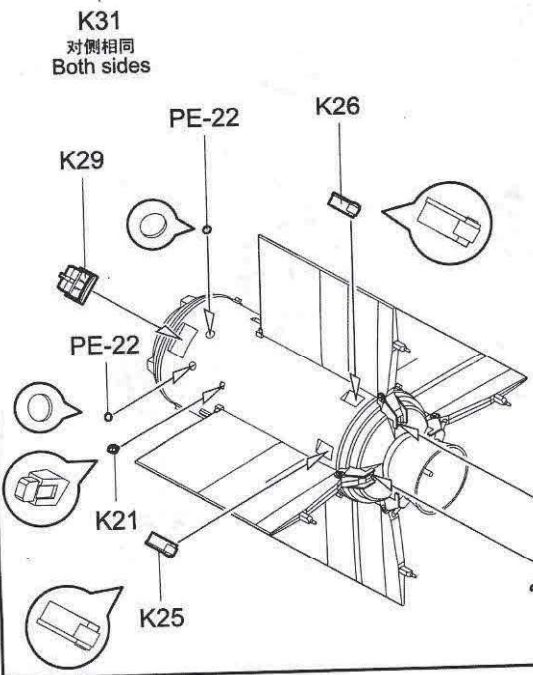
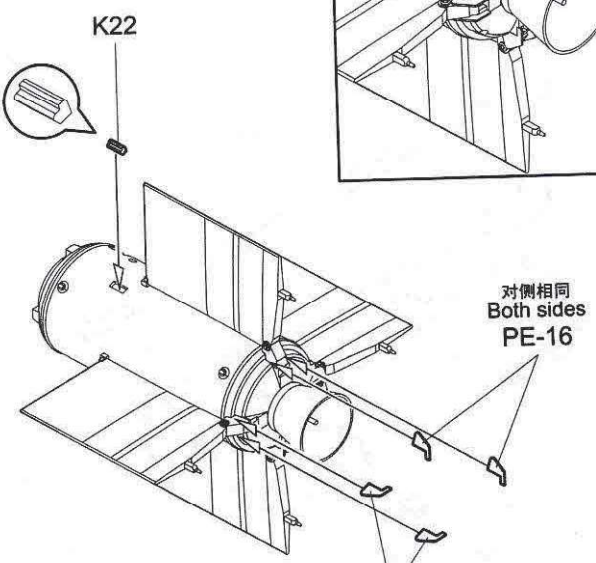
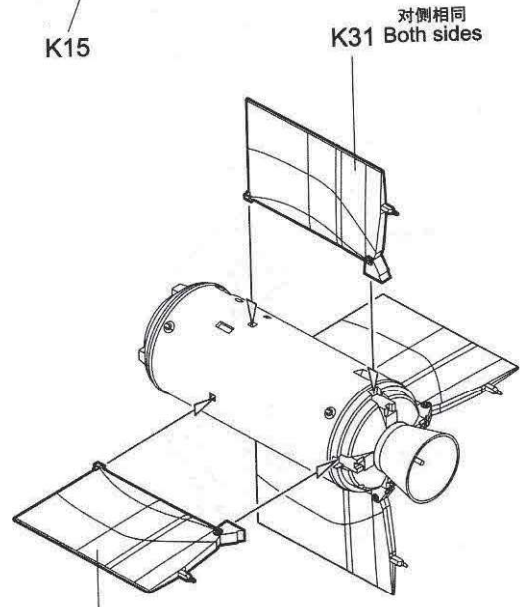
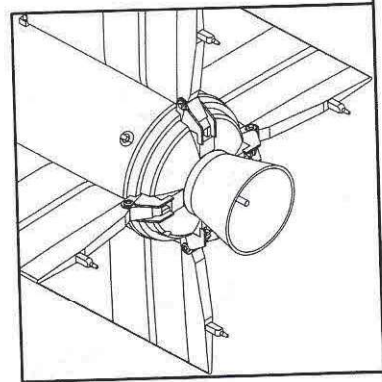
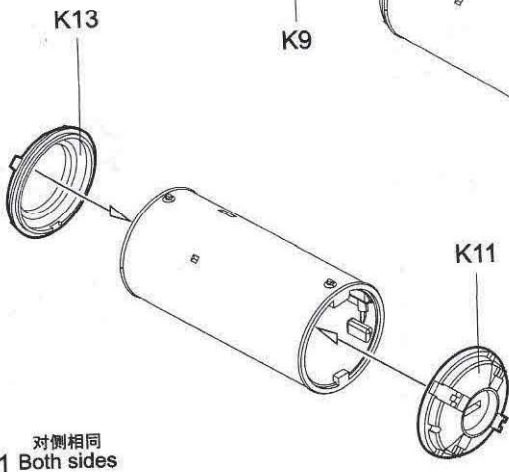
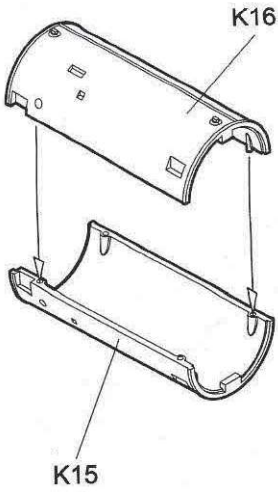


02353

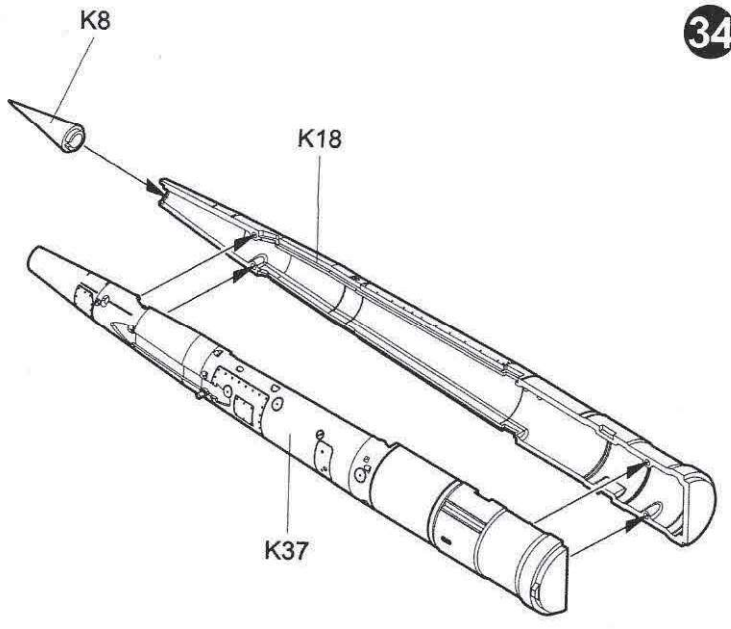
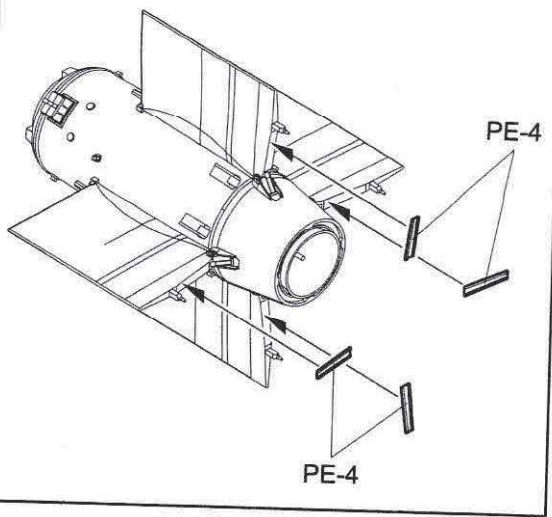
24

33

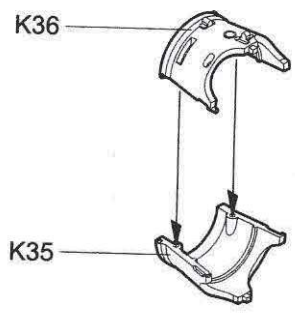
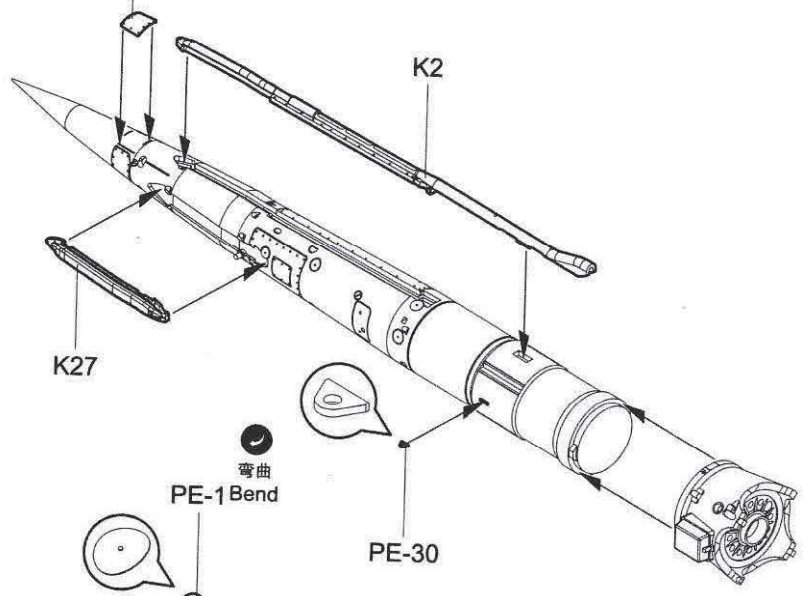
《导弹》 制作2组
Missile Make two



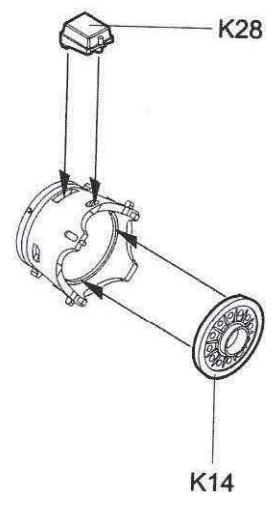
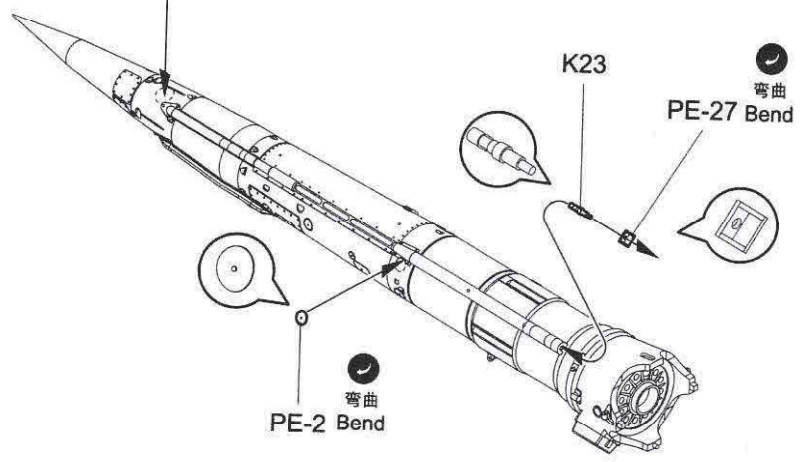
02353



弯曲
PE-11 Bend

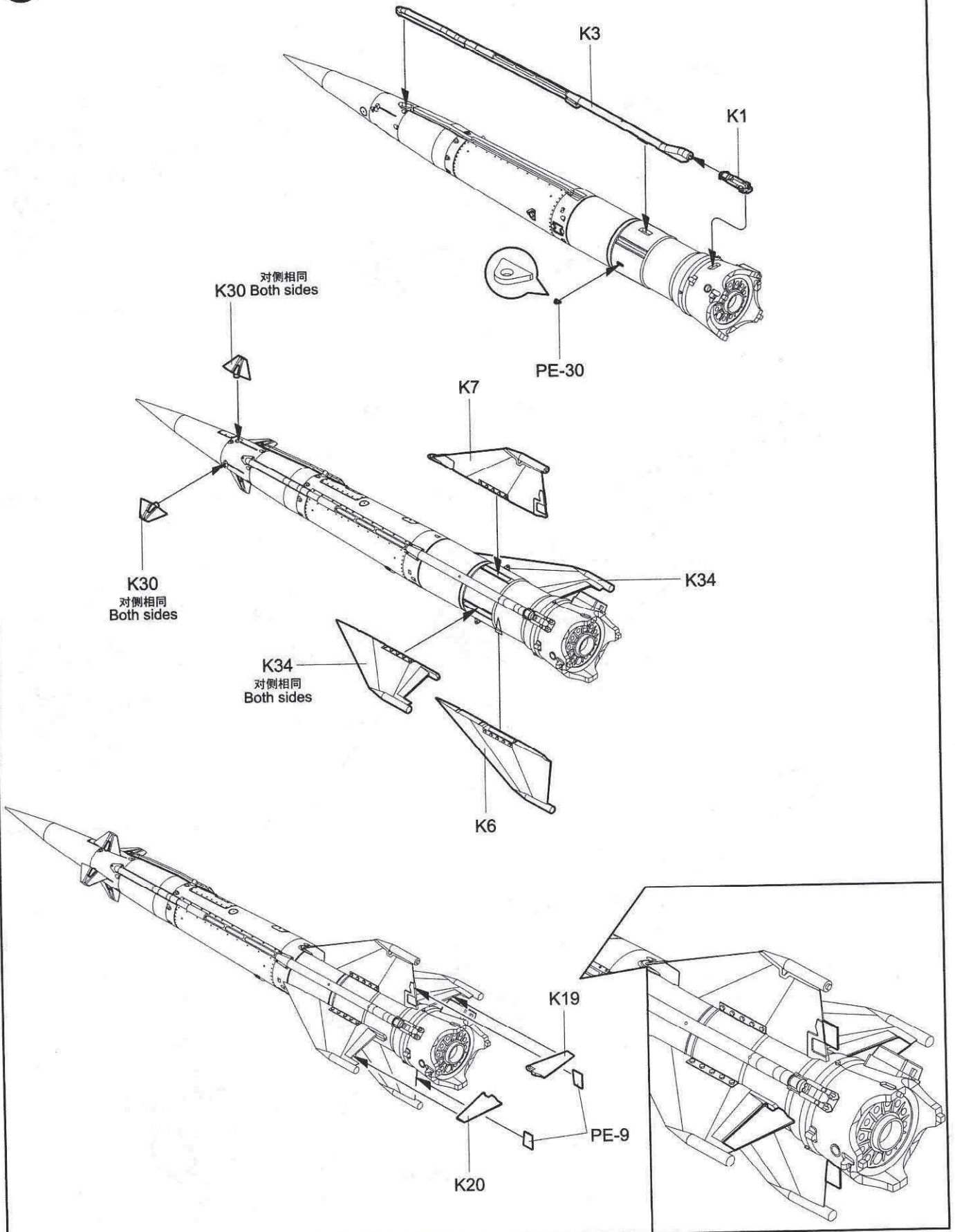


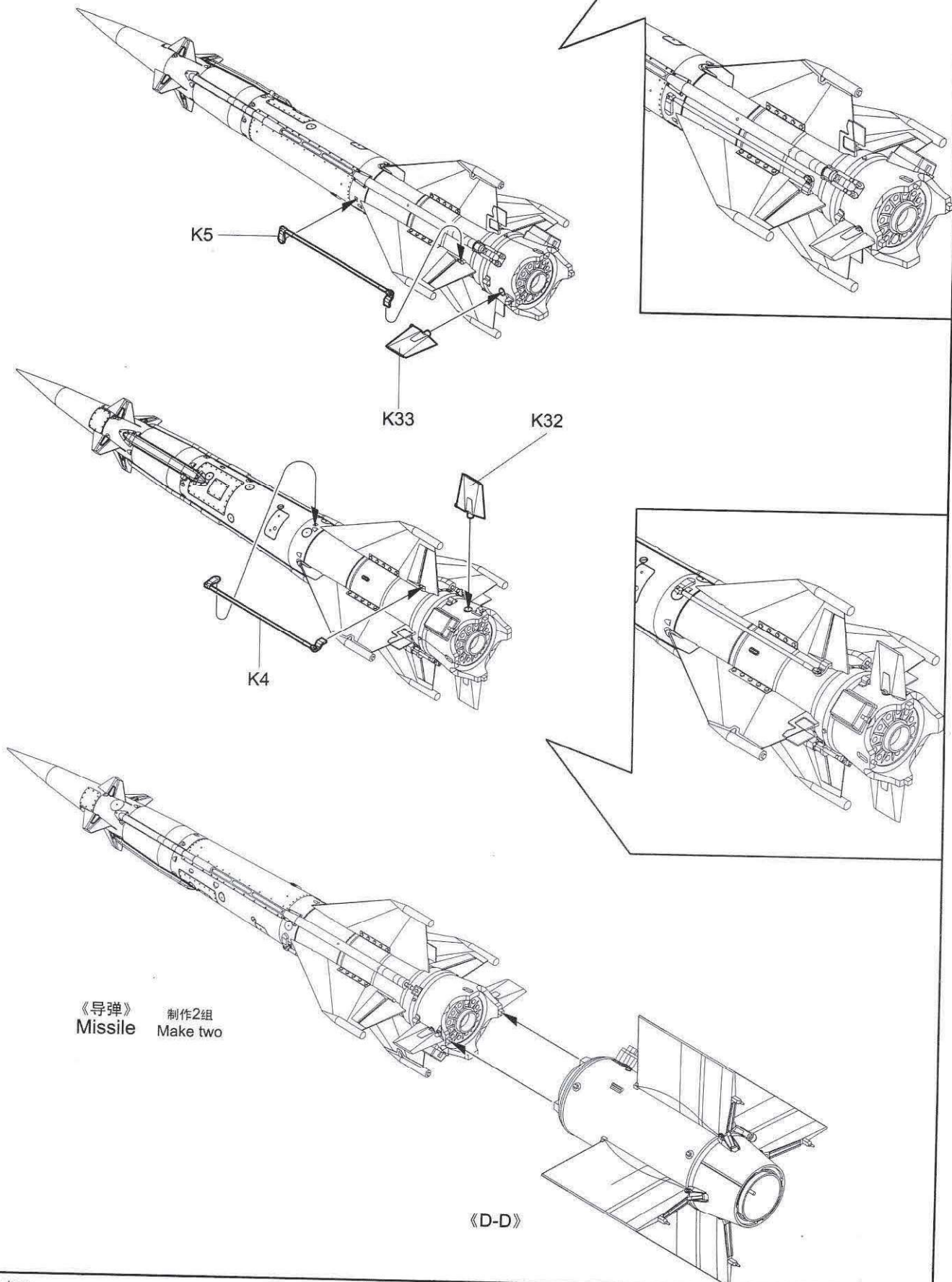
弯曲
PE-1 Bend



弯曲
PE-27 Bend

弯曲
PE-2 Bend

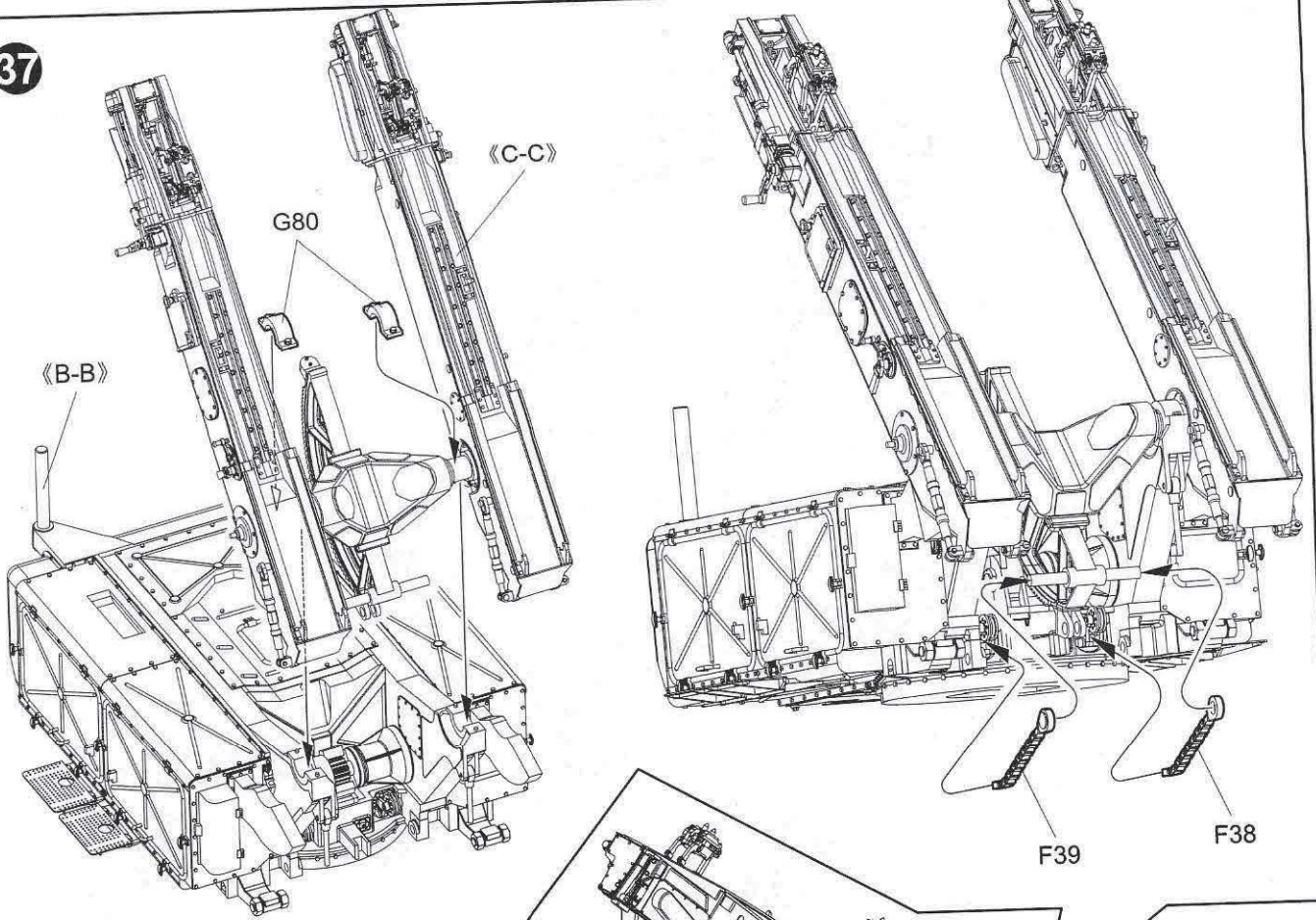




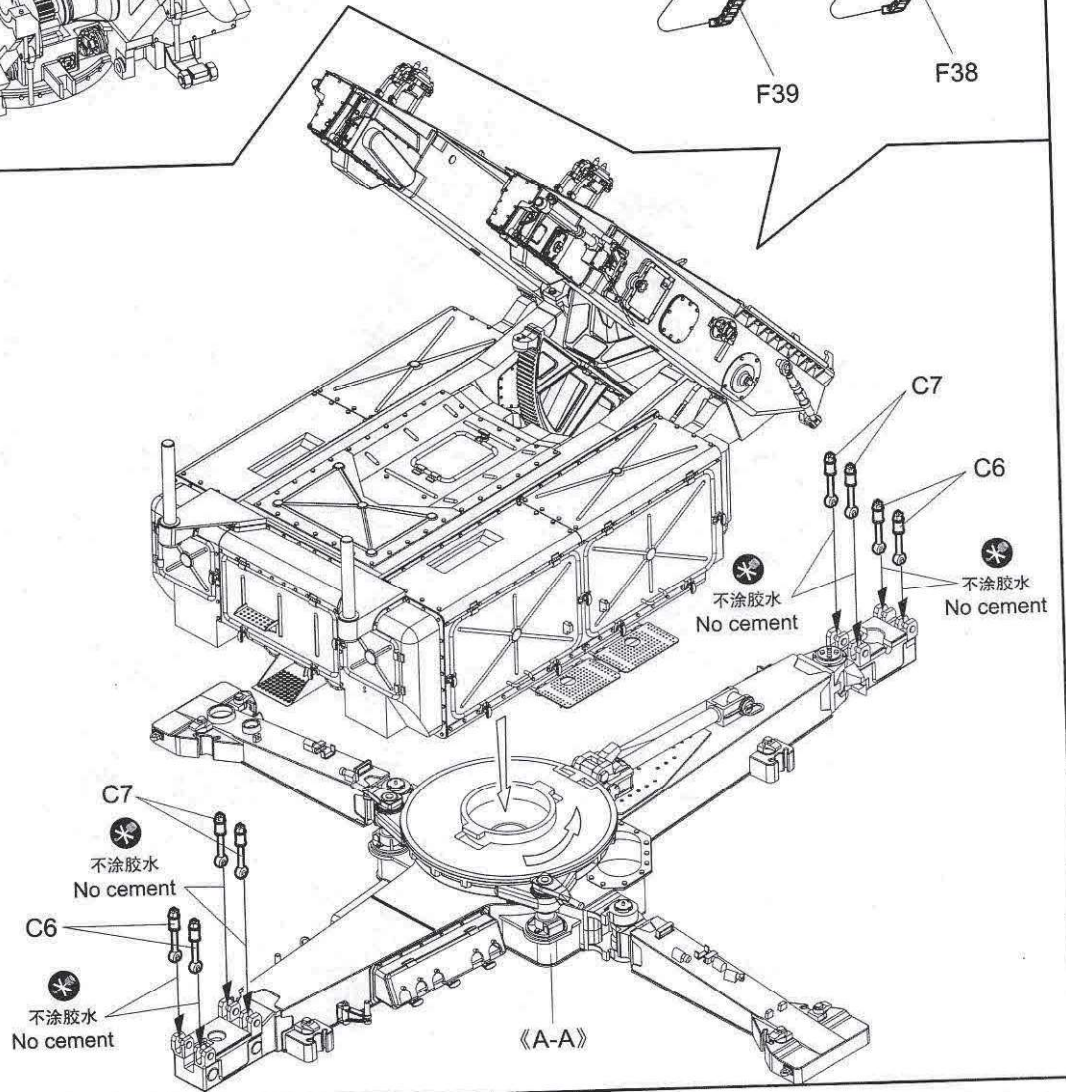
《导弹》 制作2组
Missile Make two

《D-D》

37

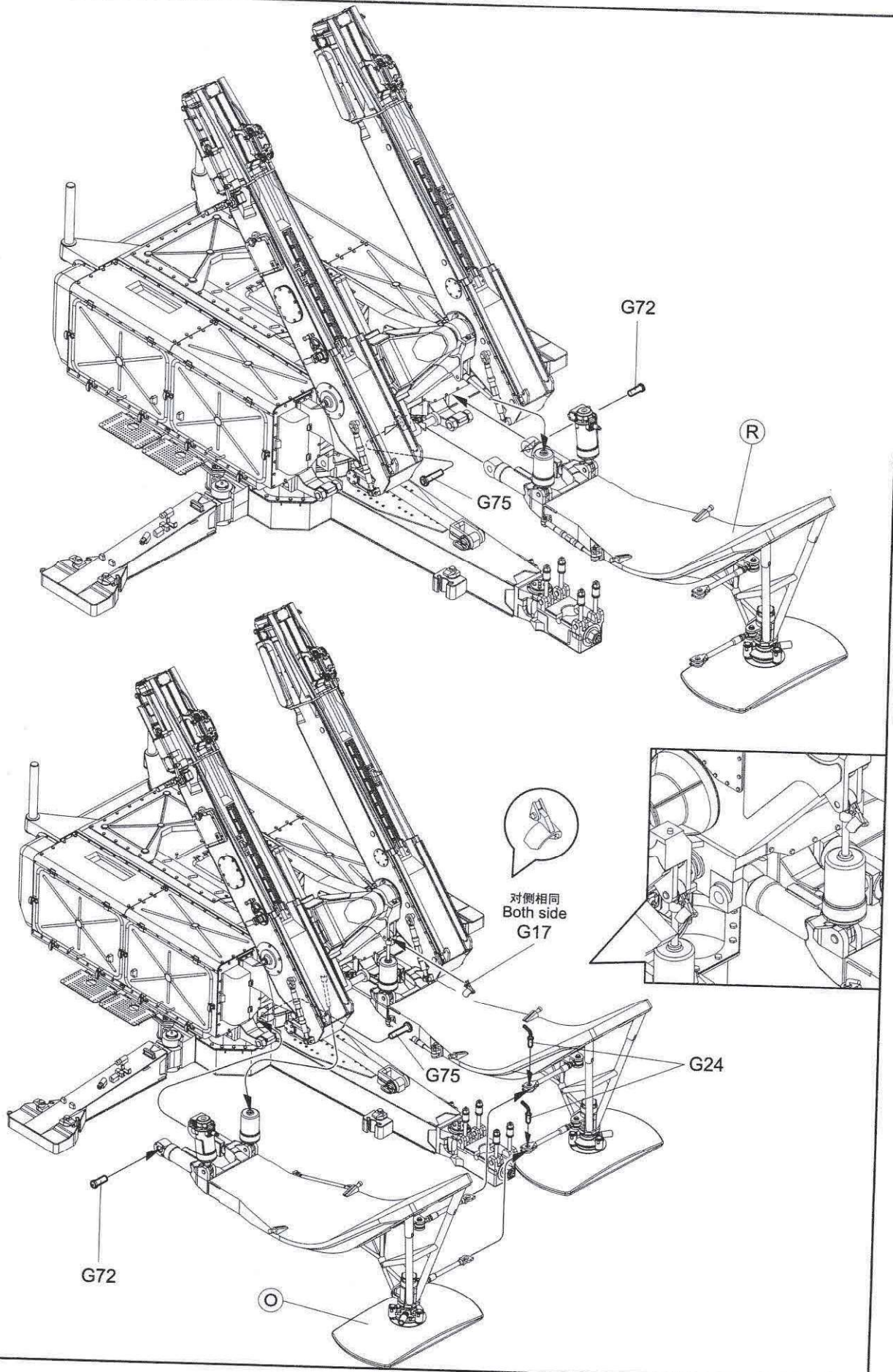


38



02353

29



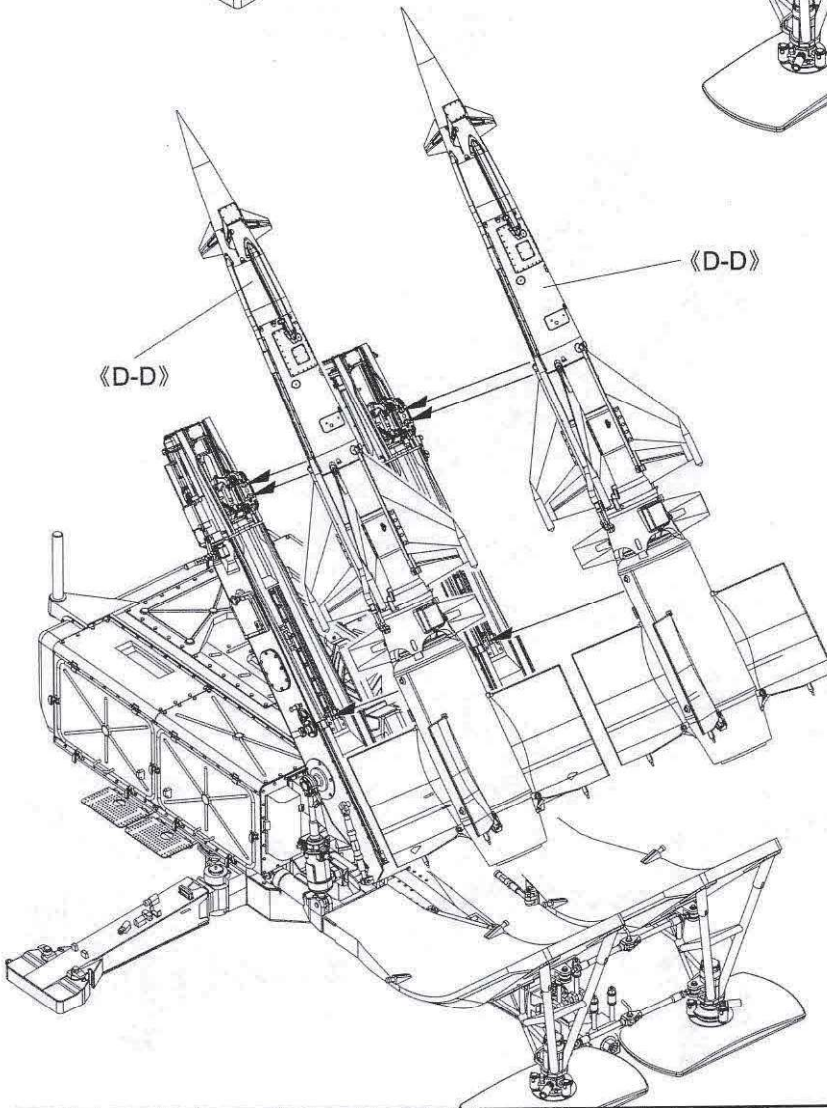
40

F70

G38

F72

G38



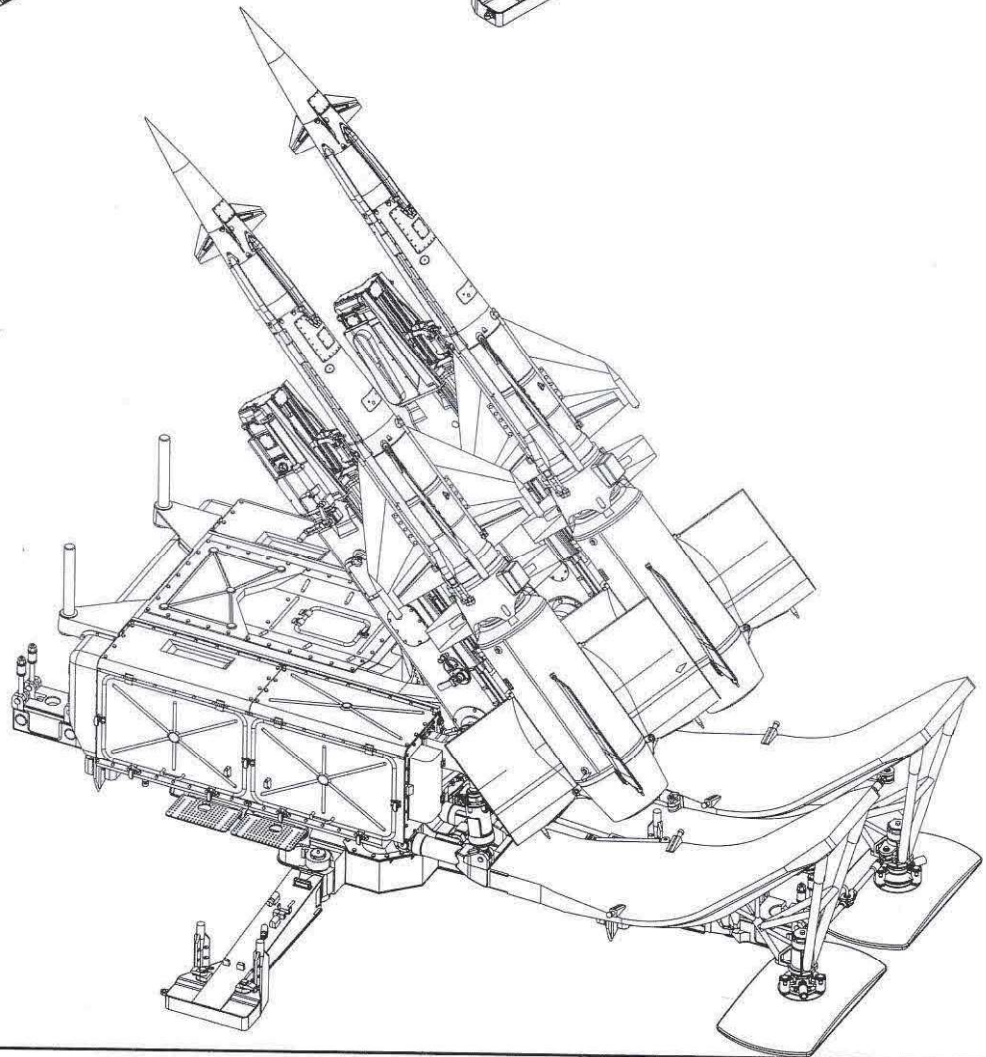
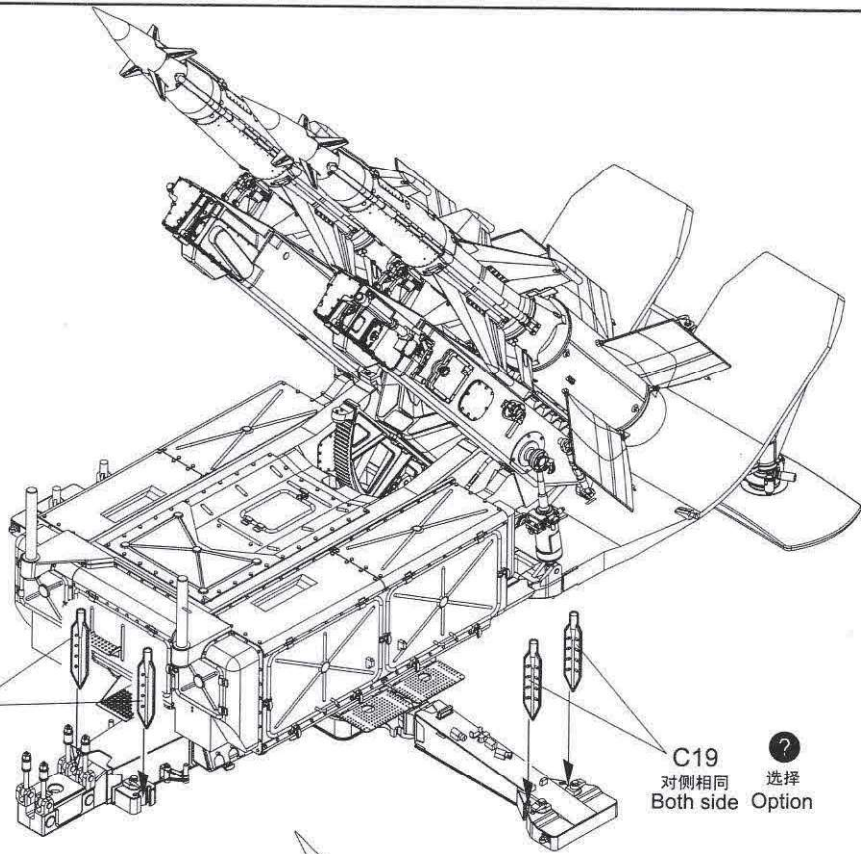
02353

31

41

② C19
选择 对侧相同
Option Both side

② C19
对侧相同 选择
Both side Option



02353

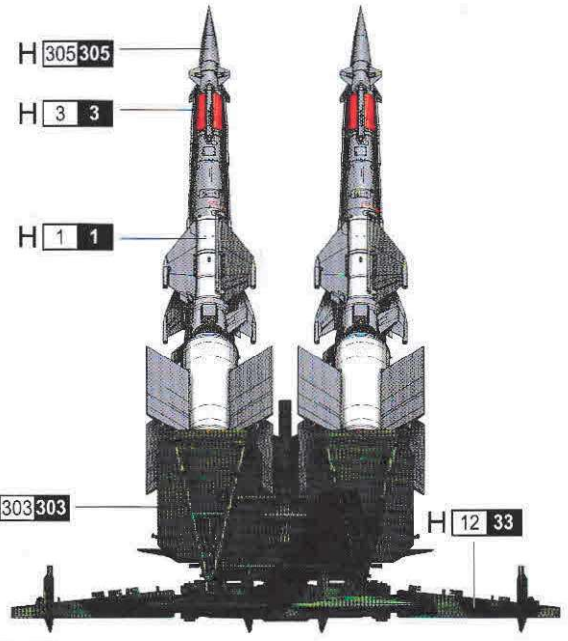
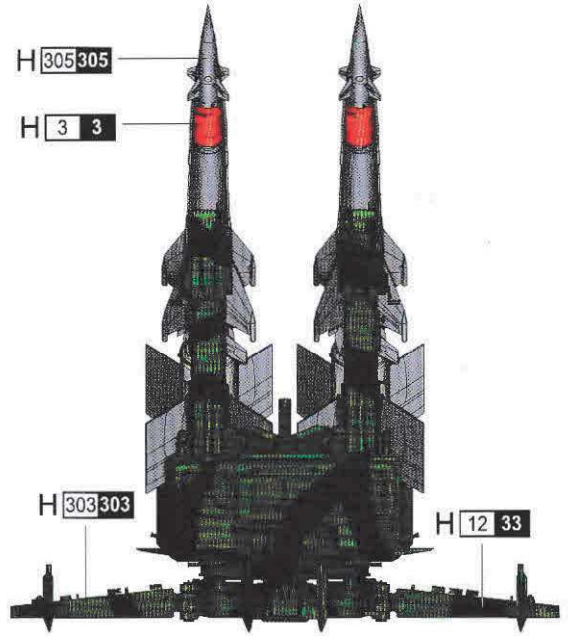
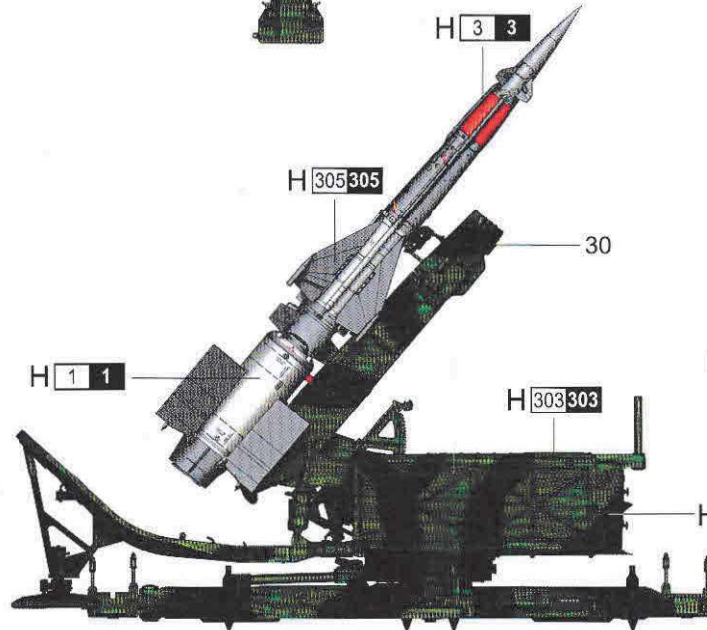
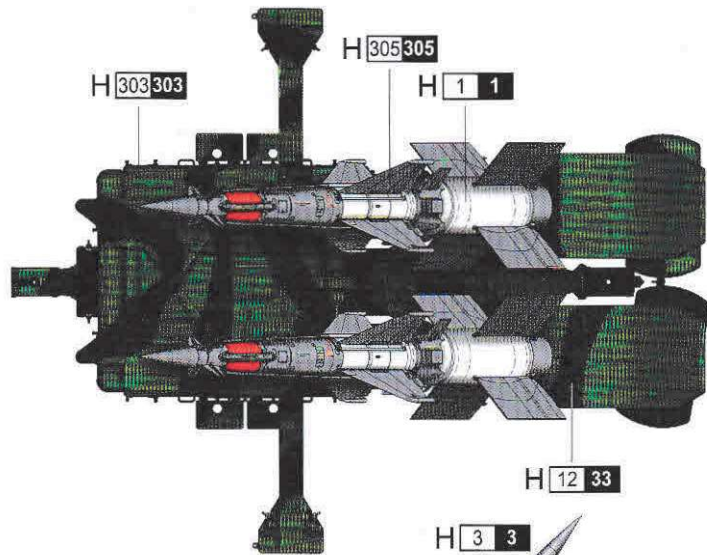
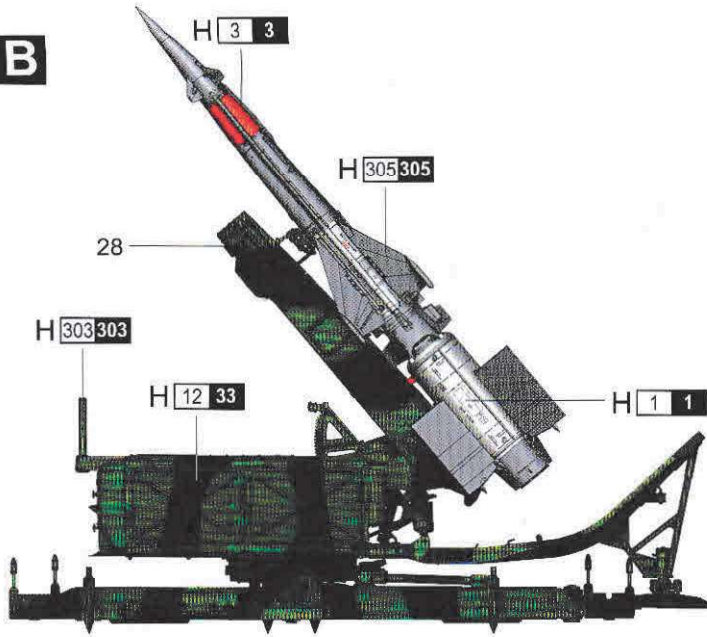
32

涂装同标贴指示 Painting & Marking guide

PAINT REFERENCE COLOR

Color	Mr.Hobby	Acrycion	Vallejo	Model Master	Tamiya	Humbrol
White 白色	H 1 1	N 1	842	1745	X2	22
Red 红色	H 3 3	N 3	908	1503	X7	19
Flat Black 消光黑	H 12 33	N 12	950	1749	XF1	33
Light Green 绿色	H 303 303	N 303	—	1713	XF20	117
Medium Gunship Grey 灰色	H 305 305	N 305	868	1723	XF58	125

B



H ☒ AQUEOUS HOBBY COLOR ☒ Mr. COLOR N ☒ ACRYSION COLOR

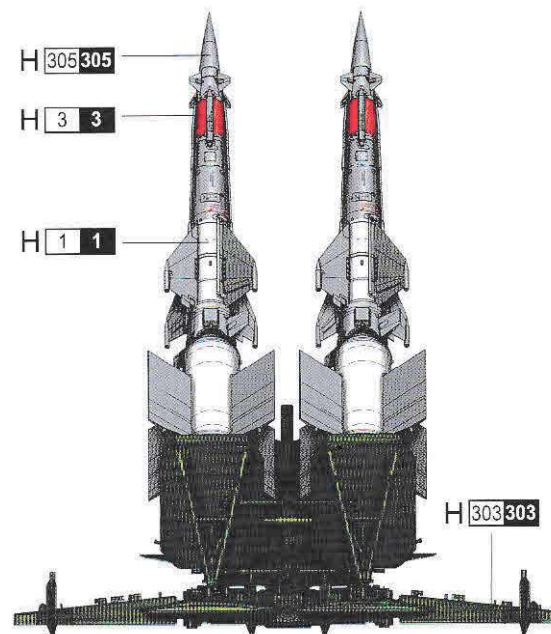
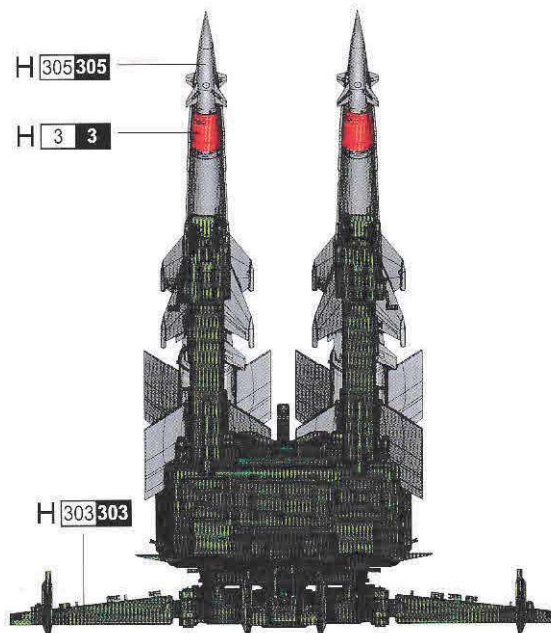
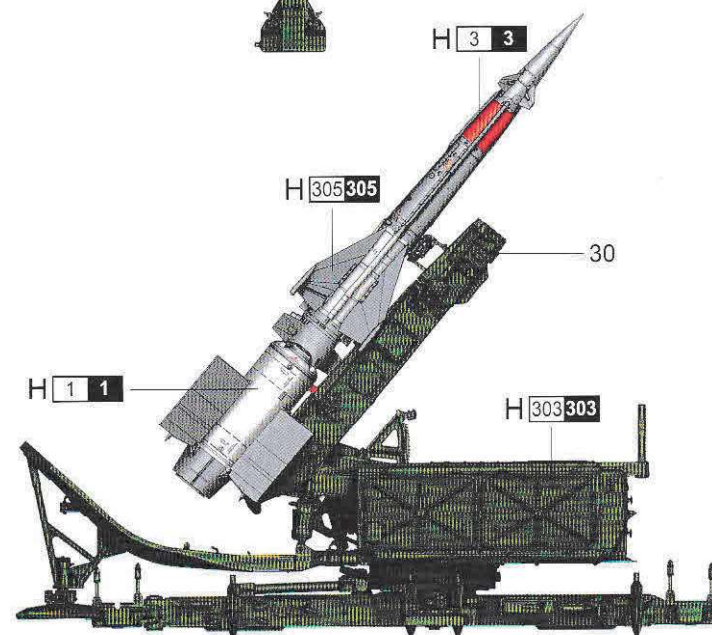
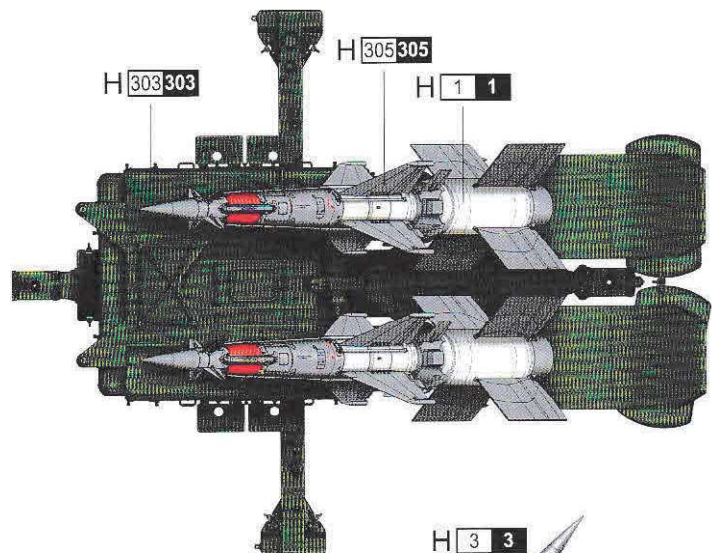
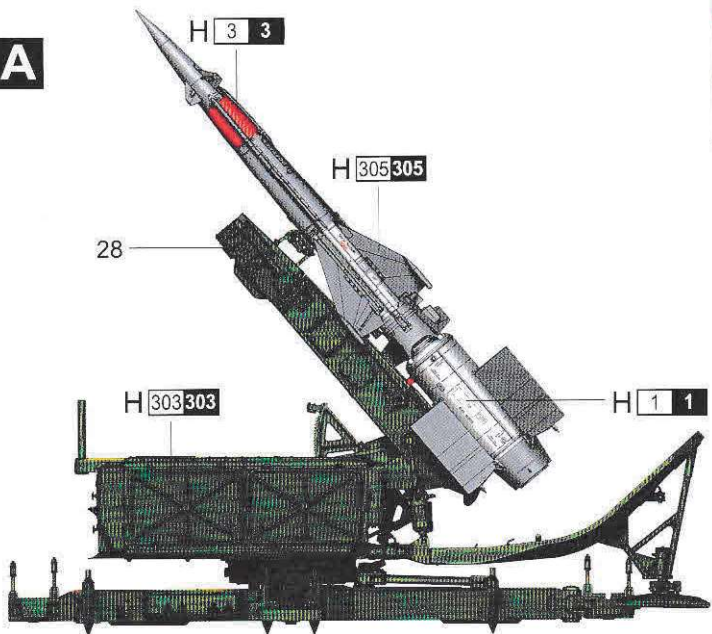
涂装同标贴指示

Painting & Marking guide

PAINT REFERENCE COLOR

Color	Mr.Hobby	Acrycion	Vallejo	Model Master	Tamiya	Humbrol
White 白色	H 1 1	N 1	842	1745	X2	22
Red 红色	H 3 3	N 3	908	1503	X7	19
Flat Black 消光黑	H 12 33	N 12	950	1749	XF1	33
Light Green 绿色	H 303 303	N 303	—	1713	XF20	117
Medium Gunship Grey 灰色	H 305 305	N 305	868	1723	XF58	125

A



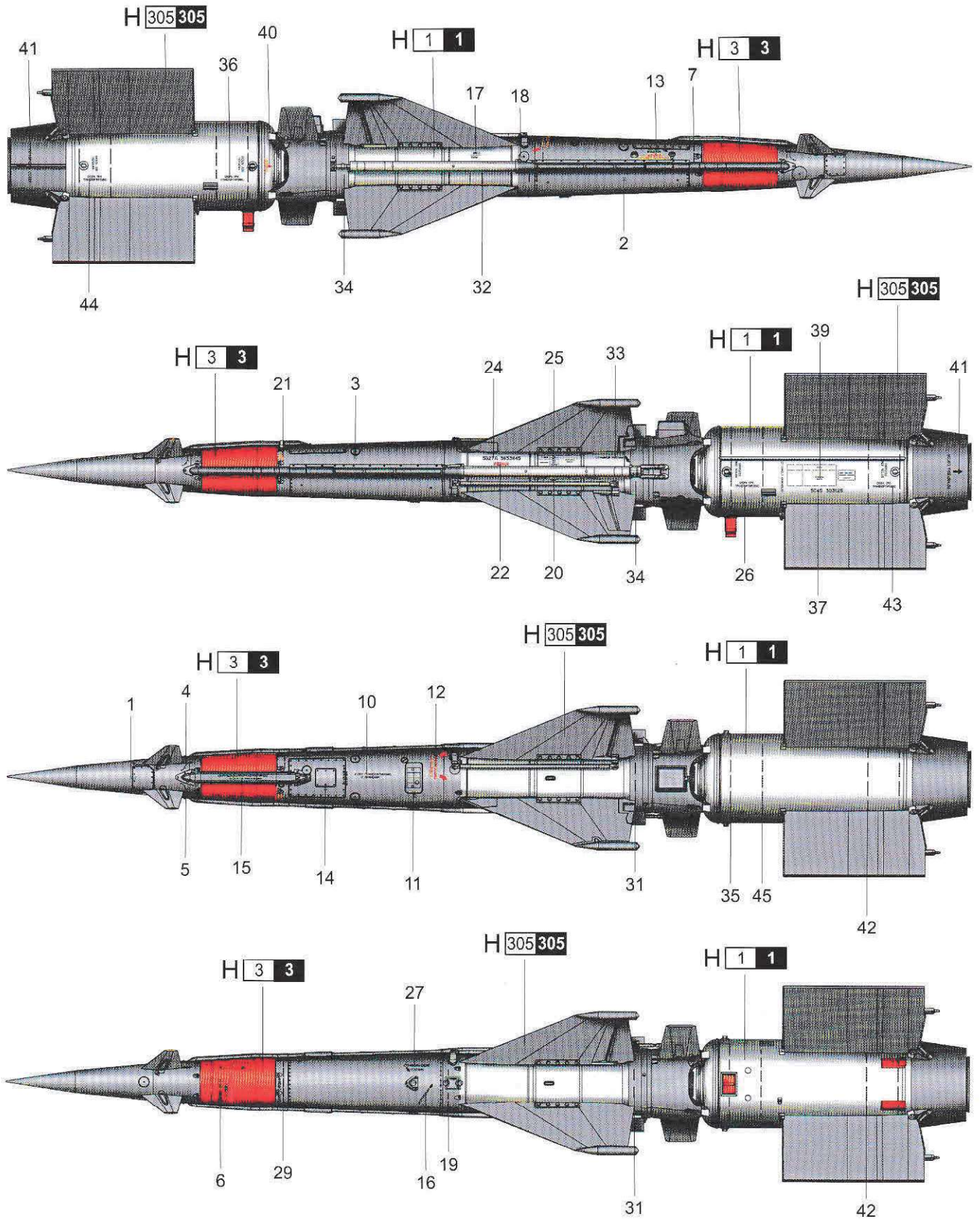
H AQUEOUS HOBBY COLOR Mr. COLOR N ACRYSION COLOR

涂装同标贴指示

Painting & Marking guide

PAINT REFERENCE COLOR

Color	Mr.Hobby	Acrycion	Vallejo	Model Master	Tamiya	Humbrol
White 白色	H 1 1	N 1	842	1745	X2	22
Red 红色	H 3 3	N 3	908	1503	X7	19
Medium Gunship Grey 灰色	H 305 305	N 305	868	1723	XF58	125



H AQUEOUS HOBBY COLOR Mr. COLOR N ACRYSION COLOR

02353 1/35 Soviet 5P71 Launcher with 5V27 Missile Pechora (SA-3B Goa) Rounds Loaded

