

Soviet S-51 Self-Propelled Gun

苏联S-51自行火炮

READ BEFORE ASSEMBLY:

装配之前仔细阅读

- Study and understand these instructions thoroughly before beginning assembly
- When needed, remove photo-etch parts carefully using a modeling knife or photo etch sprue cutter, being careful not to damage or lose small parts.
- Take extra care in handling photo etch parts in order to avoid injury
- Apply instant cement sparingly to photo etch parts where instructed
- Tools recommended(not included in kit):Plastic and instant cements, sprue cutters,long nose pliers,modeling knife, small files, tweezers, pin vise & scissors. Soft cloth and sandpaper will also assist in construction
- Glue and paint are not included in the kit. Use plastic cement and hobby paints only. Color guide for purchasing paint is included in the kit.

- 小心用模型锉刀锉平所有零件表面的注射浇口。
- 小心用刀片切下蚀刻片零件，不要遗失小零件。
- 用强力快干胶水粘合蚀刻片零件和金属轴。过量快干胶水使用可能导致可动零件会粘住，小心涂胶。
- 取蚀刻片时应特别注意安全，防止利边划伤手指。
- 某些零件表面需贴上水贴纸，请选择在装配的同时进行。
- 推荐模型工具(自备)：胶水，水口剪刀，长咀钳，刀片，锉刀，镊子，钳，钻，剪刀，瞬间快干胶。
- 软布同砂纸同时也应该是必备工具。
- 请使用塑料胶水和油漆，模型内不含。



配重
Weight



使用强力胶
Cyanoacrylate glue



钻孔
Make hole



切除
Cut / Remove



贴纸
Decal



锉平
File / Sand



选择
Option



不涂胶水
No cement



弯曲
Bend

水贴纸的使用:

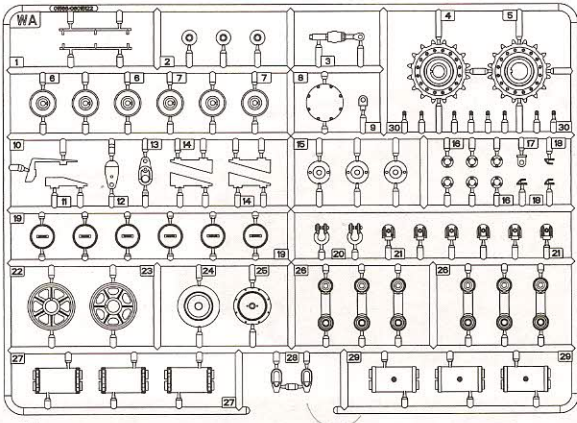
- 1.从水贴纸上剪下印花;
- 2.将印花放入温水中浸10秒，然后放在干净布上。
- 3.拿着印花纸板将印花移到模型上;
- 4.手指蘸水将印花移到适当的位置;
- 5.用软布轻压印花直至水干，气泡消失

DECAL APPLICATION

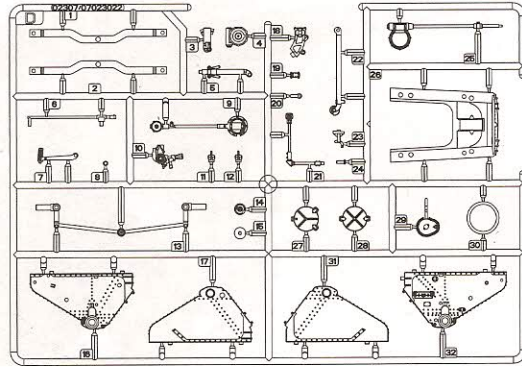
- 1.Cut decals from sheet as needed
- 2.Dip the decal in warm water for about 10 seconds and then place on soft clean cloth.
- 3.Hold the decal backing sheet edge and gently slide the decal onto the model in its proper position.
- 4.While still wet,decal can be adjusted for better fit on model by dampening it gently with your finger.
- 5.When placed in the proper position,gently press decal down with a soft cloth until excess water and air bubbles are gone.
- 6.Allow decal to dry completely before handling model

部品图 Parts

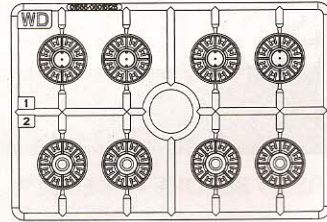
WAX2



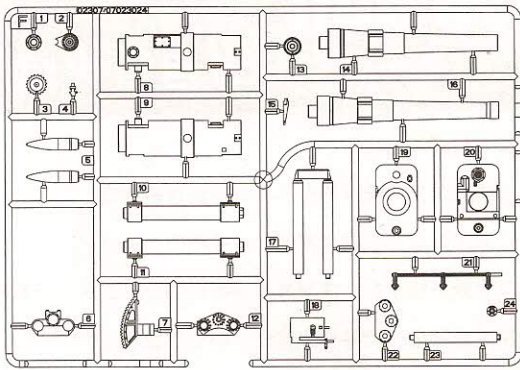
D



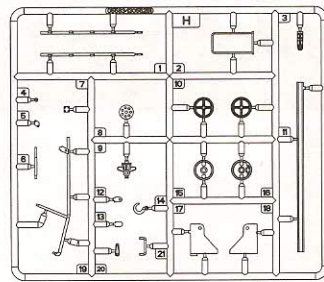
WDx3



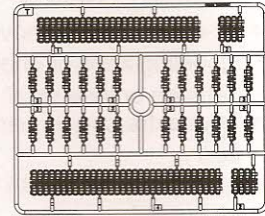
F



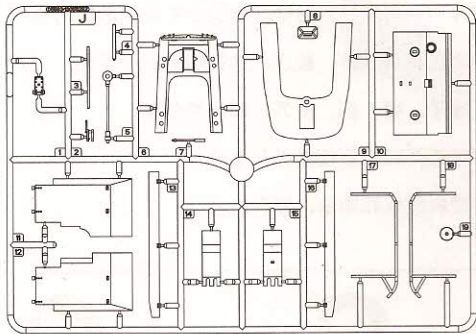
HX2



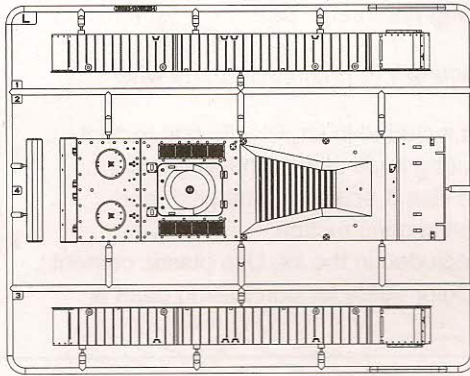
Tx2



J



L



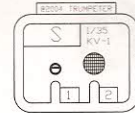
棉绳
Rope

Ø1.0 x 150mm

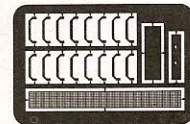
棉绳
Rope

Ø0.6 x 500mm

S



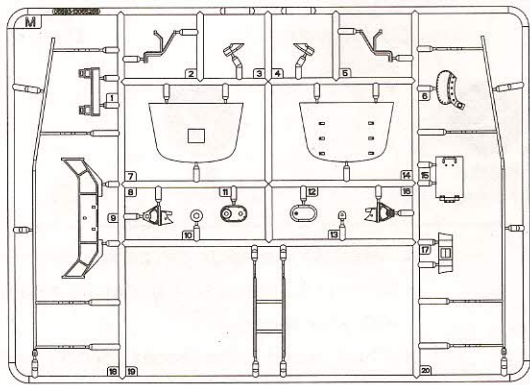
《蚀刻片》
PE



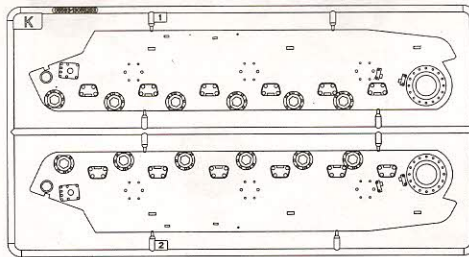
水贴
Decal



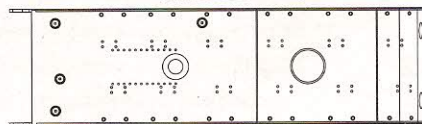
M



K

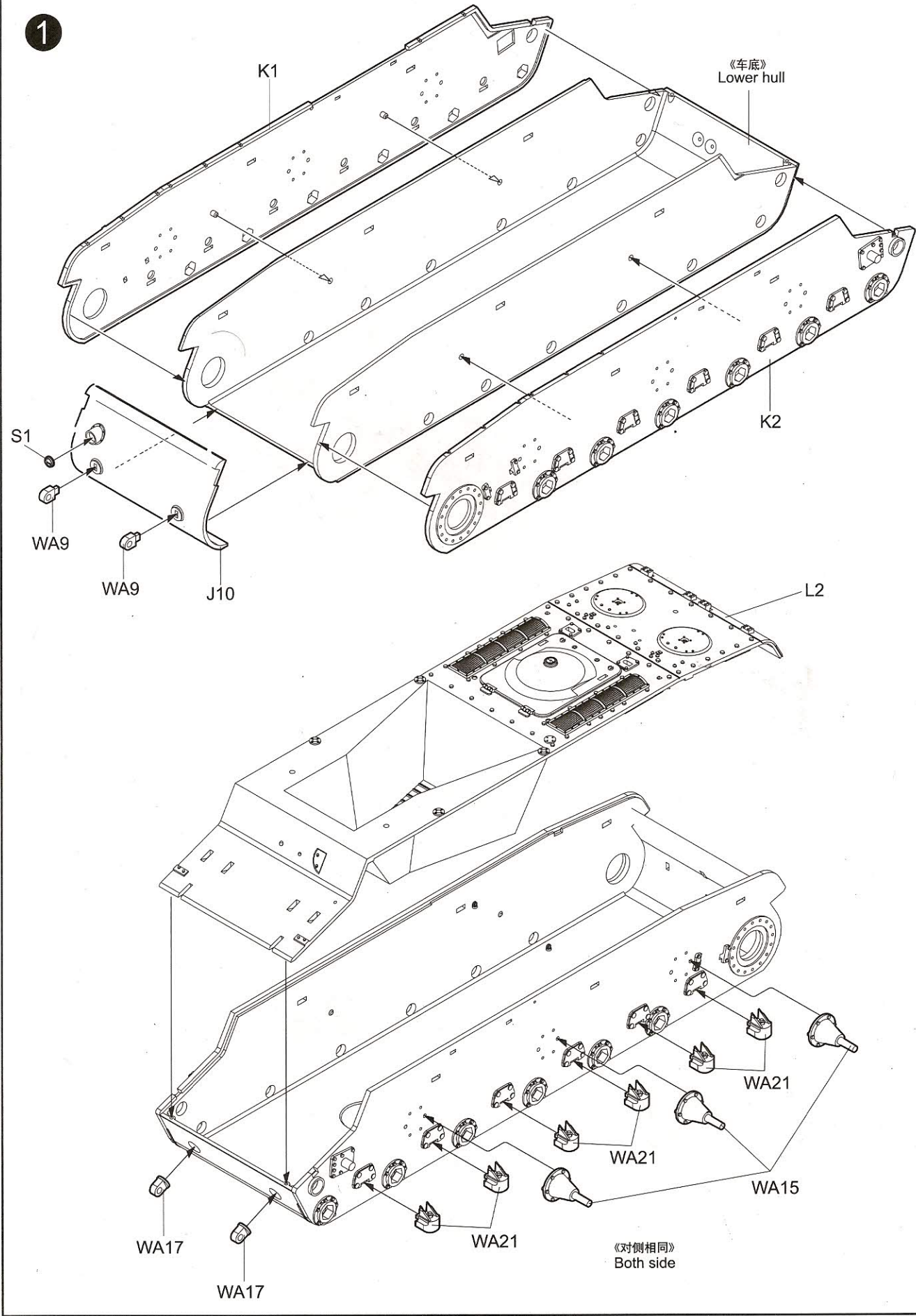


《车底》
Lower hull



不用部品: WA1、WA11、WA14、WA18、WA19、WA27、WA29、D1、D2、D3、D5、D7、D11、D12、D13、D14、D15、D19、
Unused parts D20、D22、D23、D24、D26、D27、D28、D29、D30

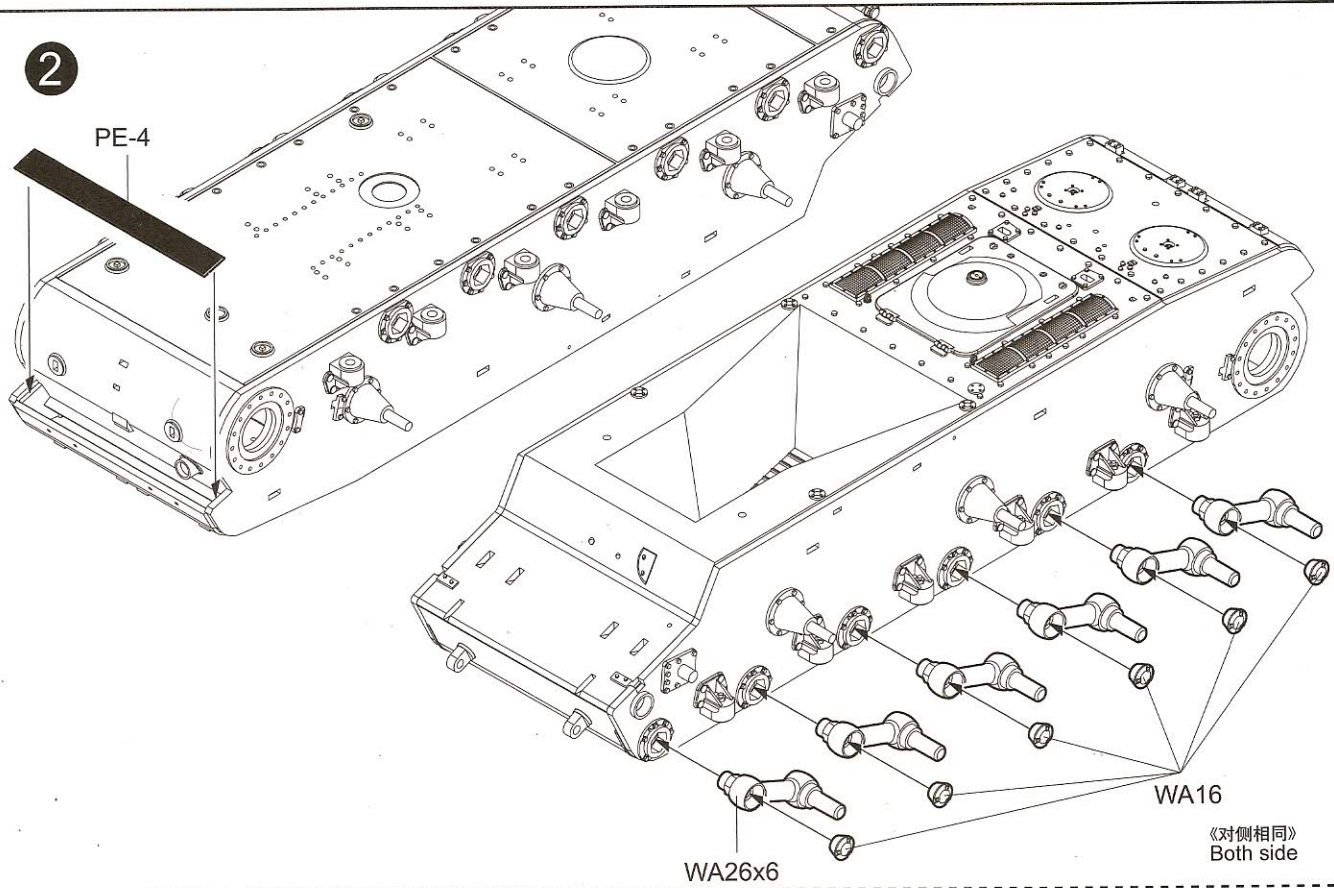
1



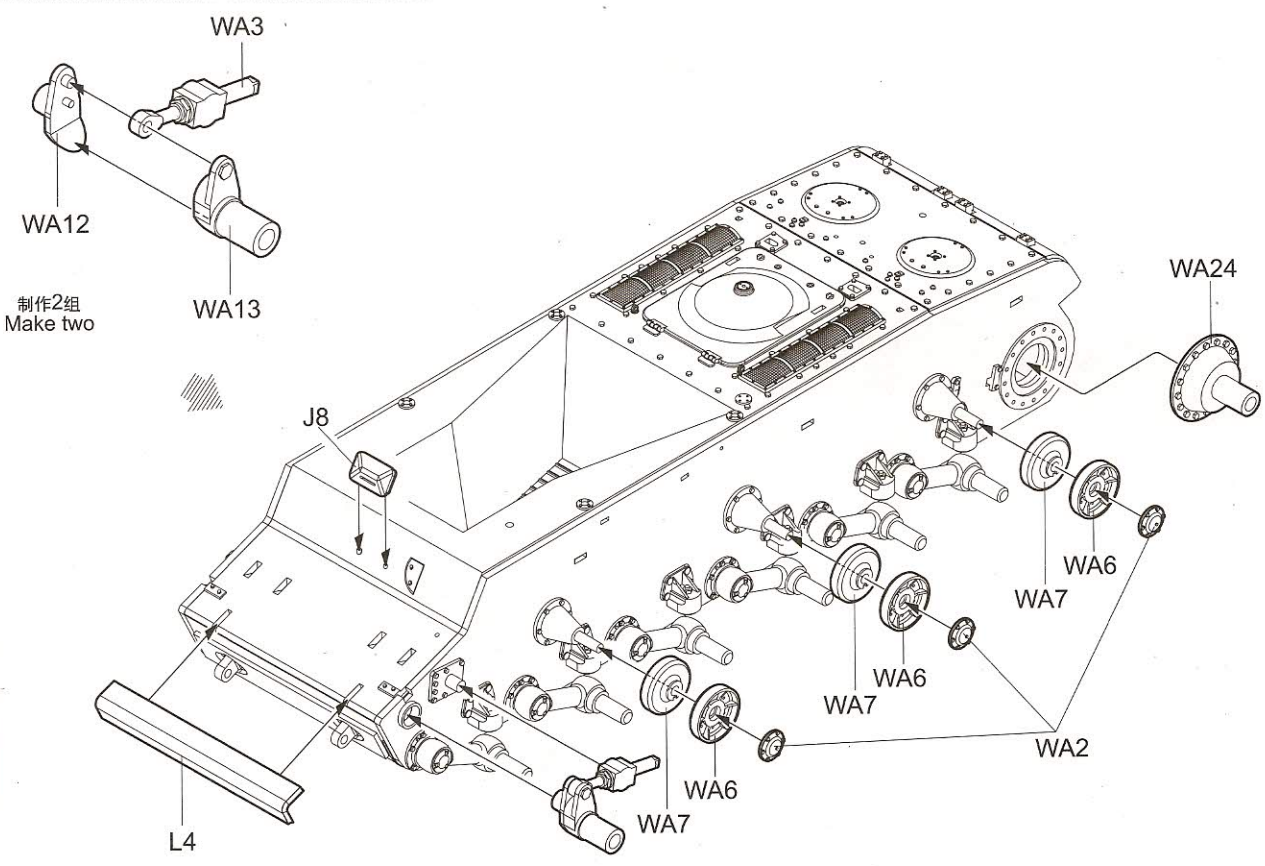
05583

3

2



《对侧相同》
Both side

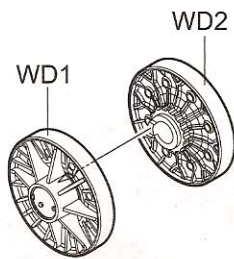


《对侧相同》
Both side

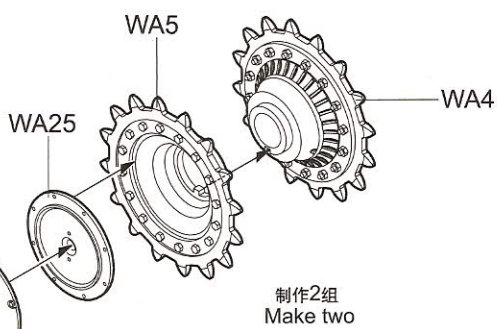
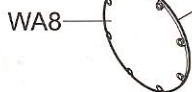
3

《负重轮》
Road wheel

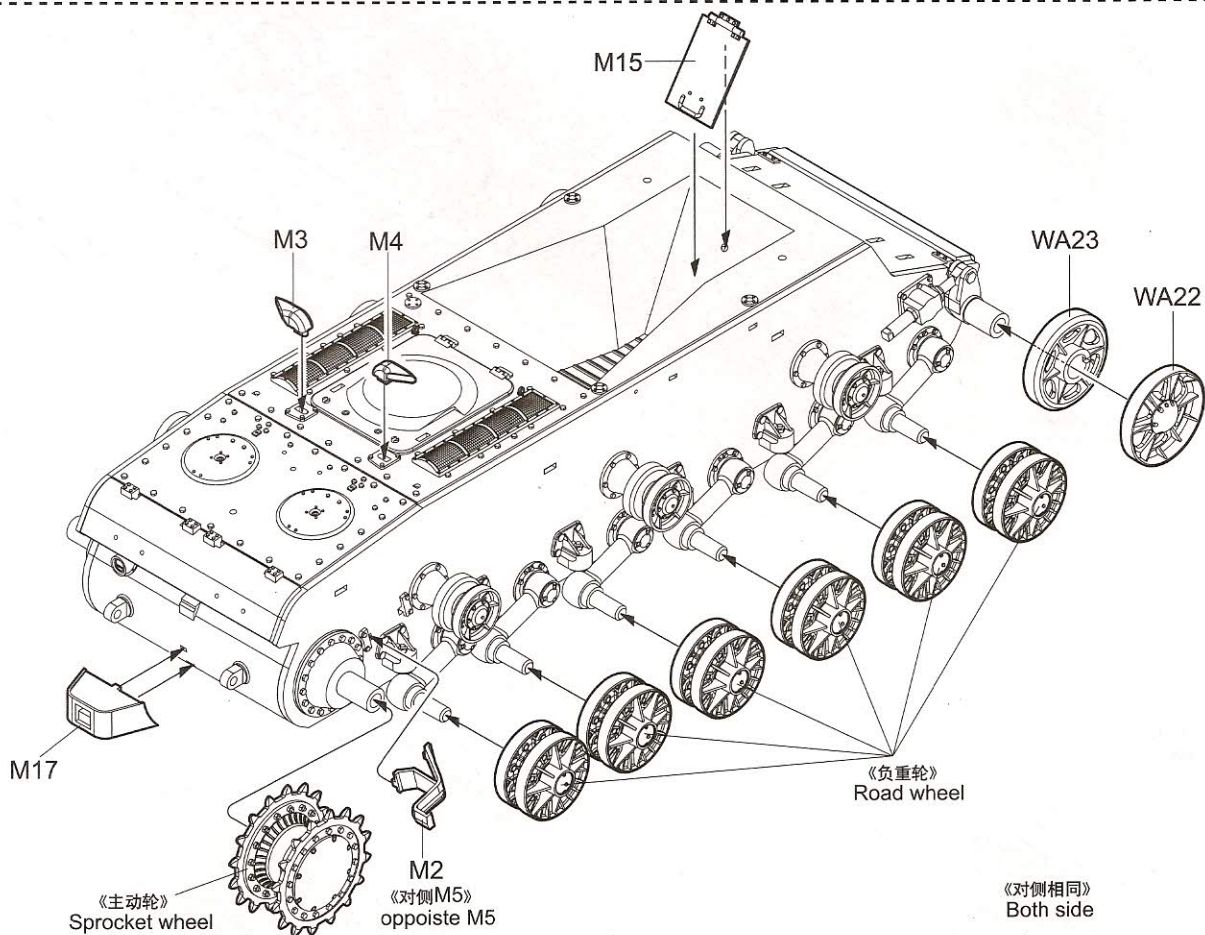
制作12组
Make twelve



《主动轮》
Sprocket wheel

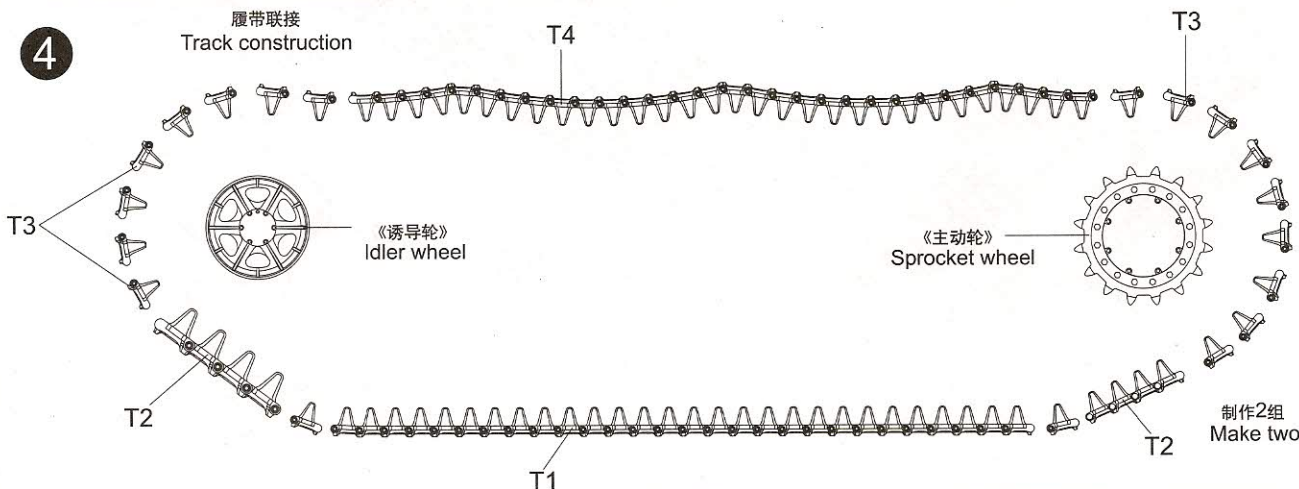


制作2组
Make two

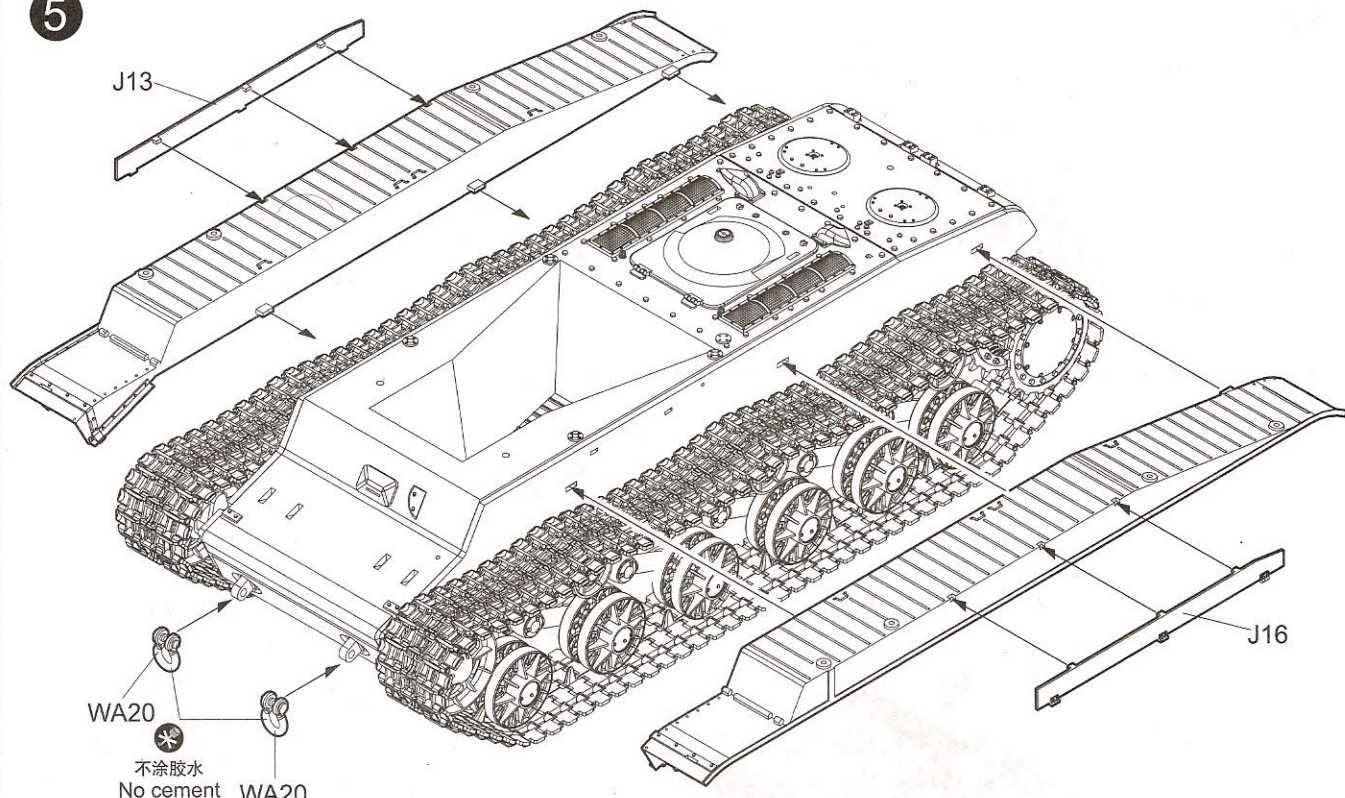


4

履带联接
Track construction



5



《对侧相同》
Both side

M1

H14

《对侧相同》
Both side

WA10

J14

J7

M14

M7

J9

<A-A>

J19

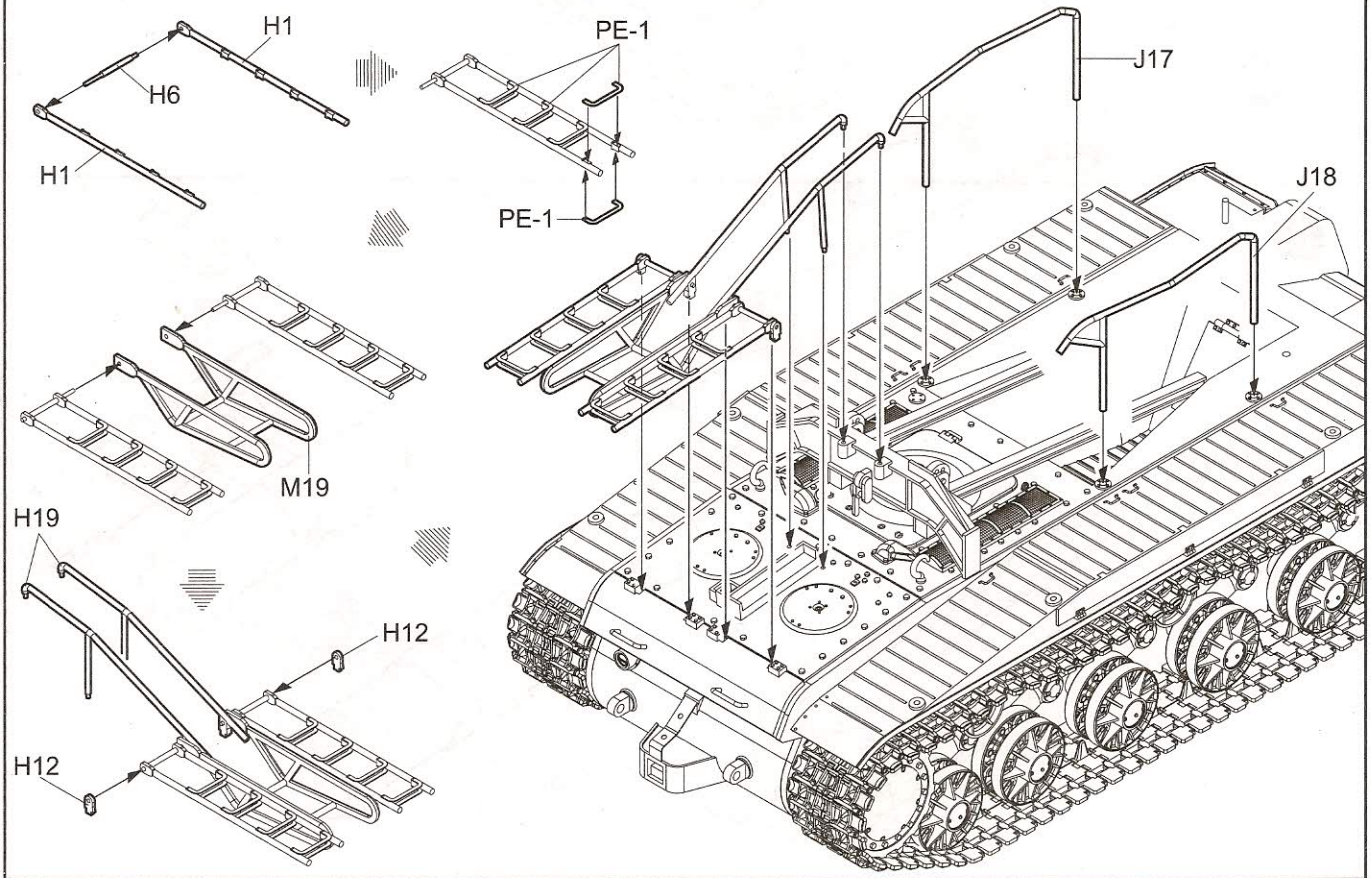
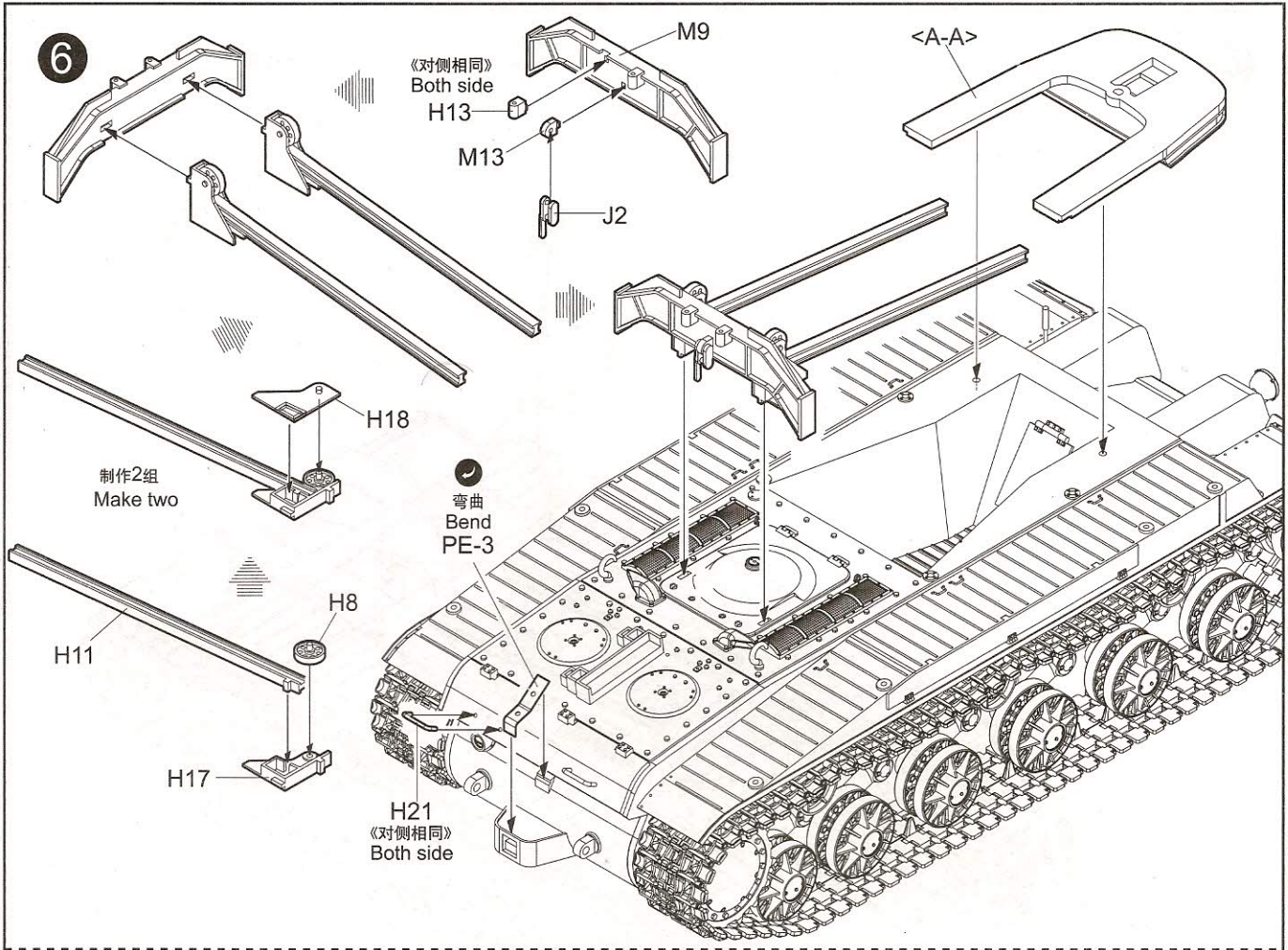
J15

S2

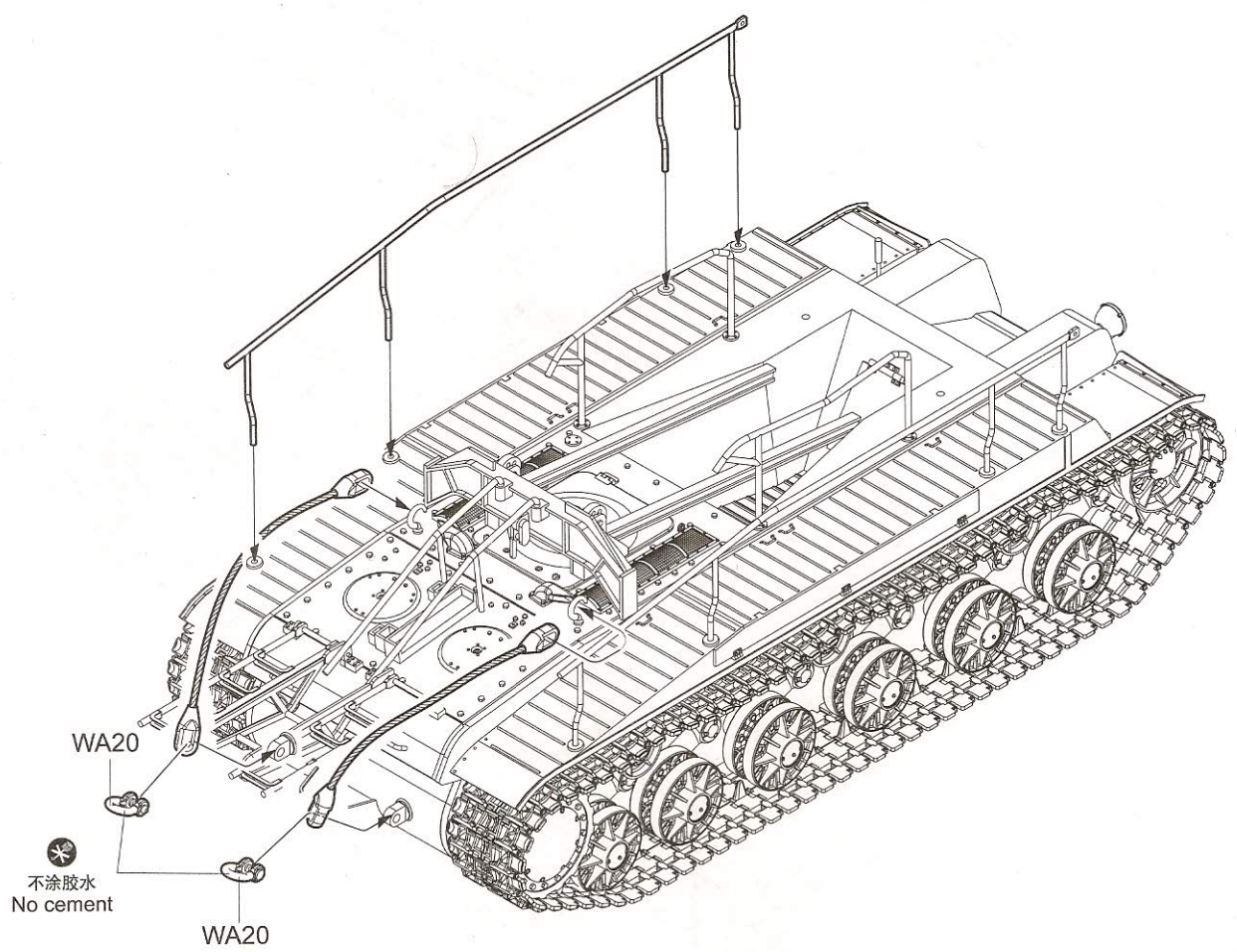
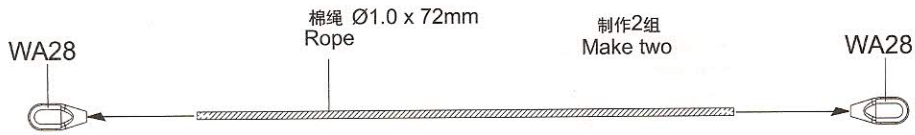
05583

6

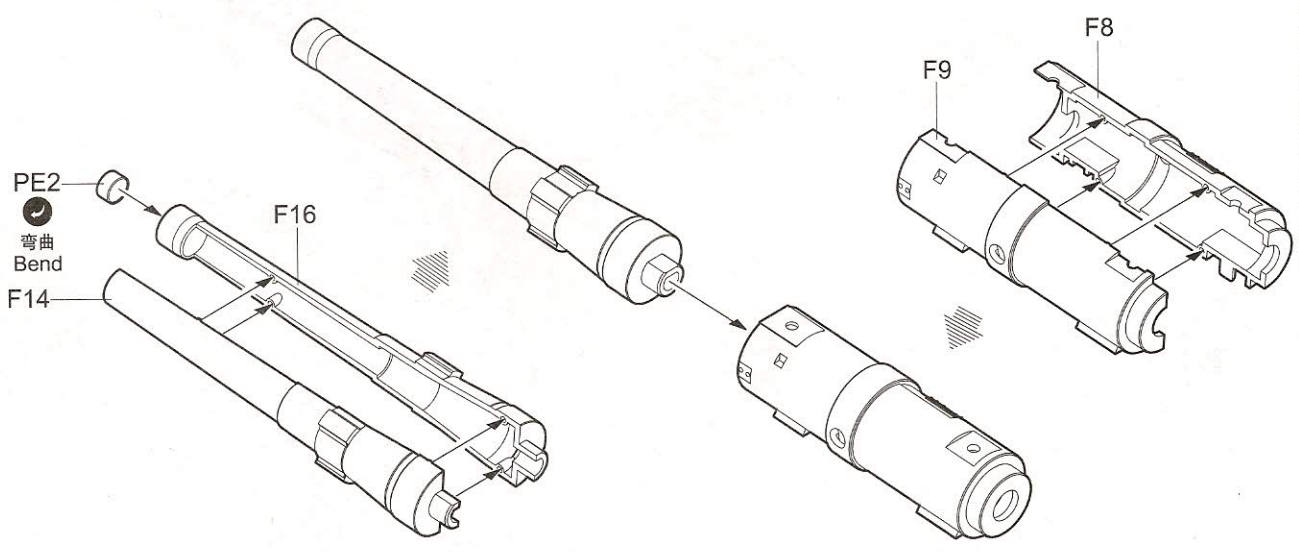
6



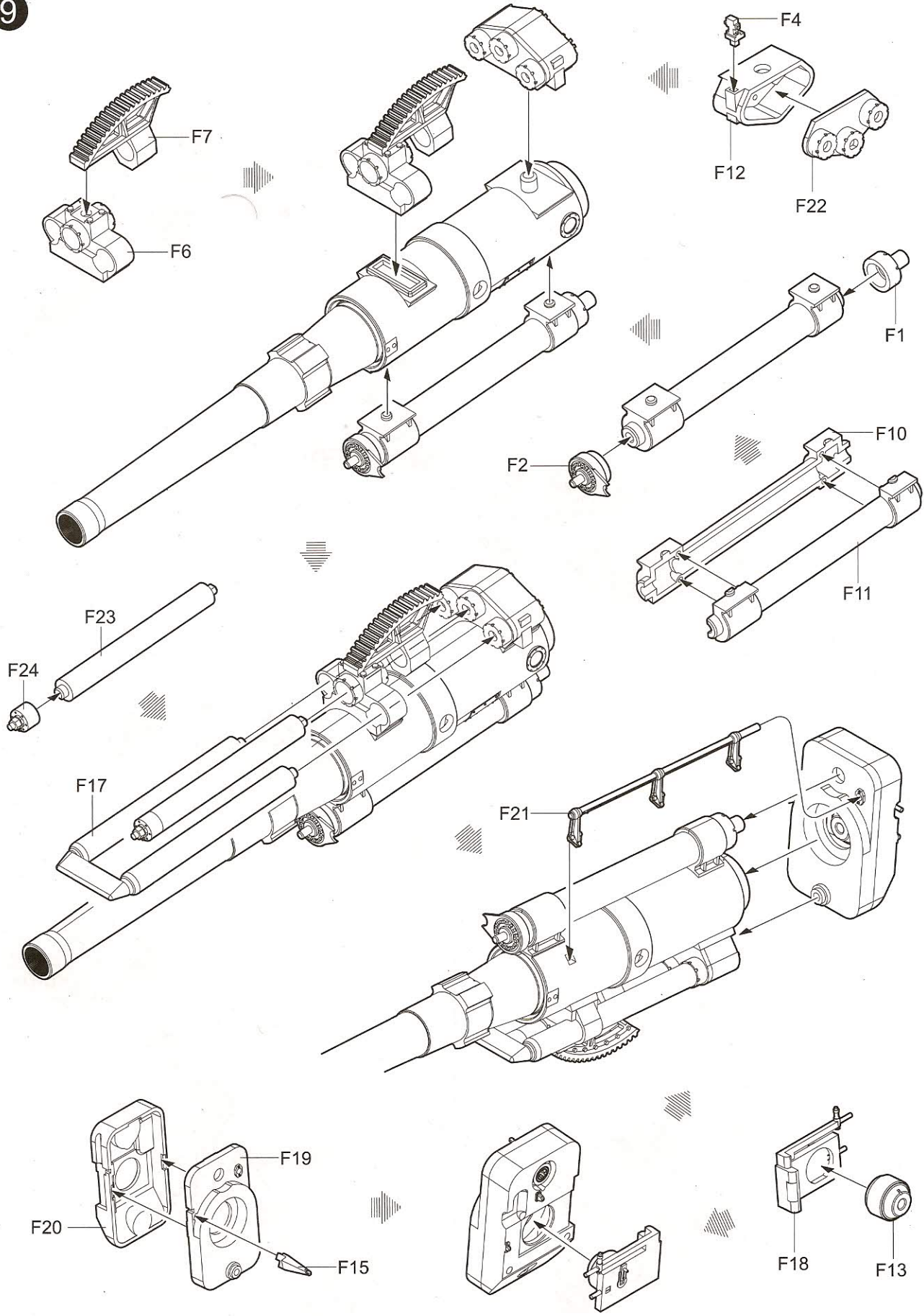
7



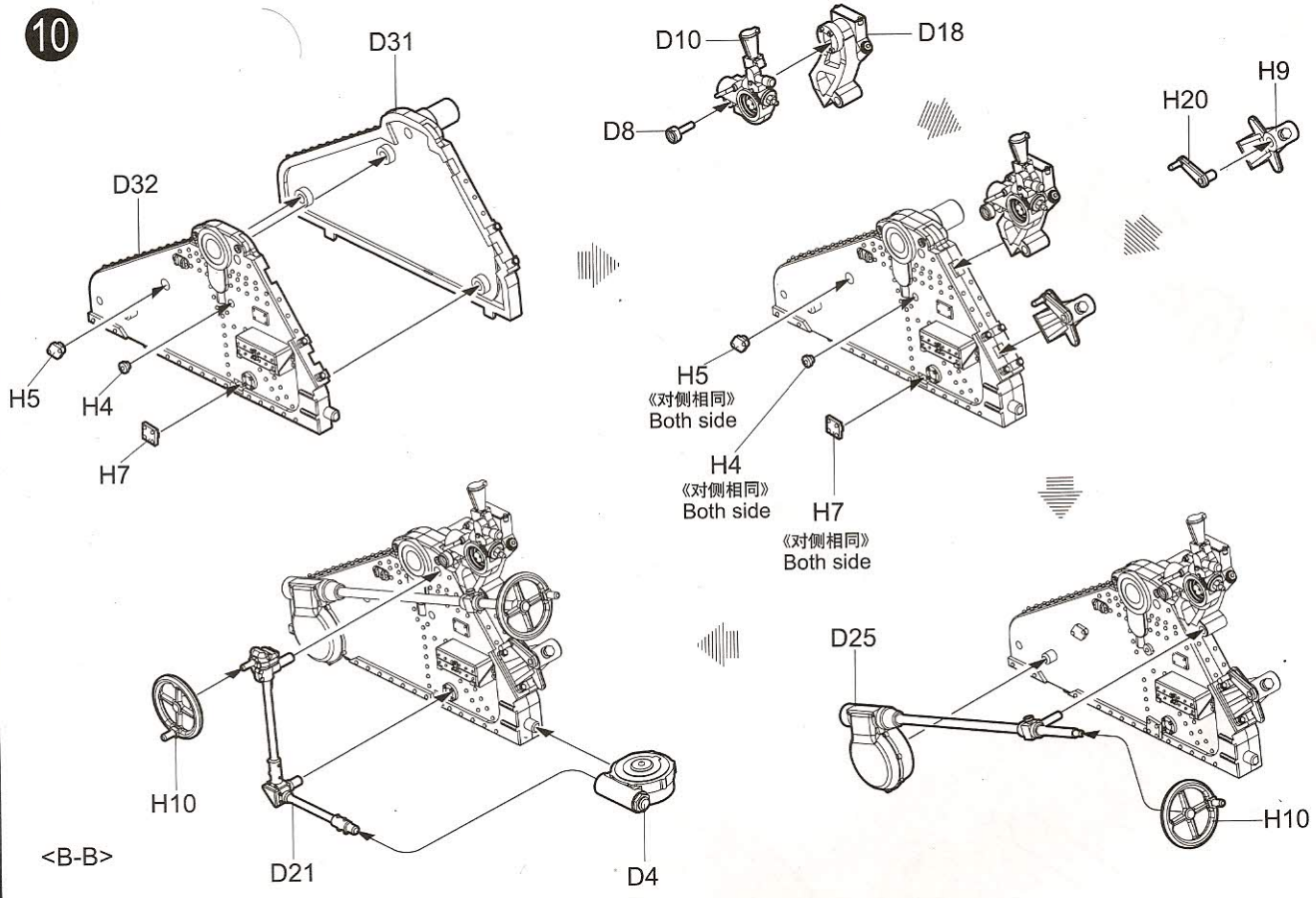
8



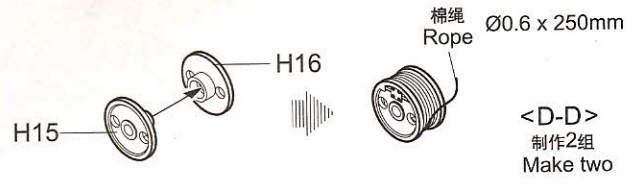
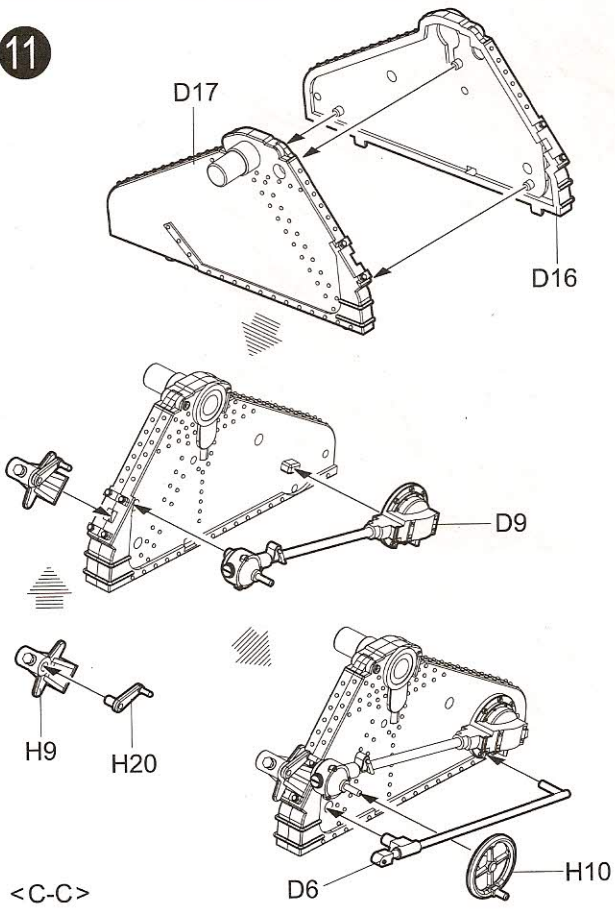
9



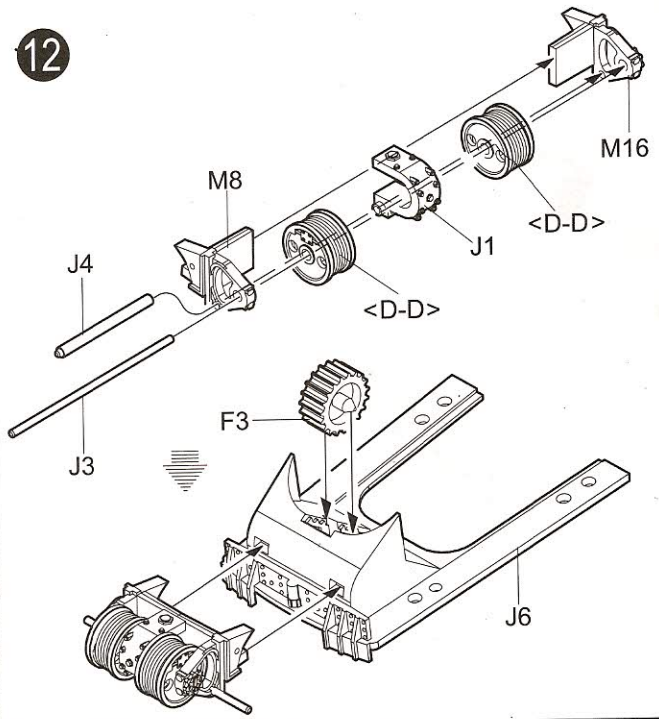
10



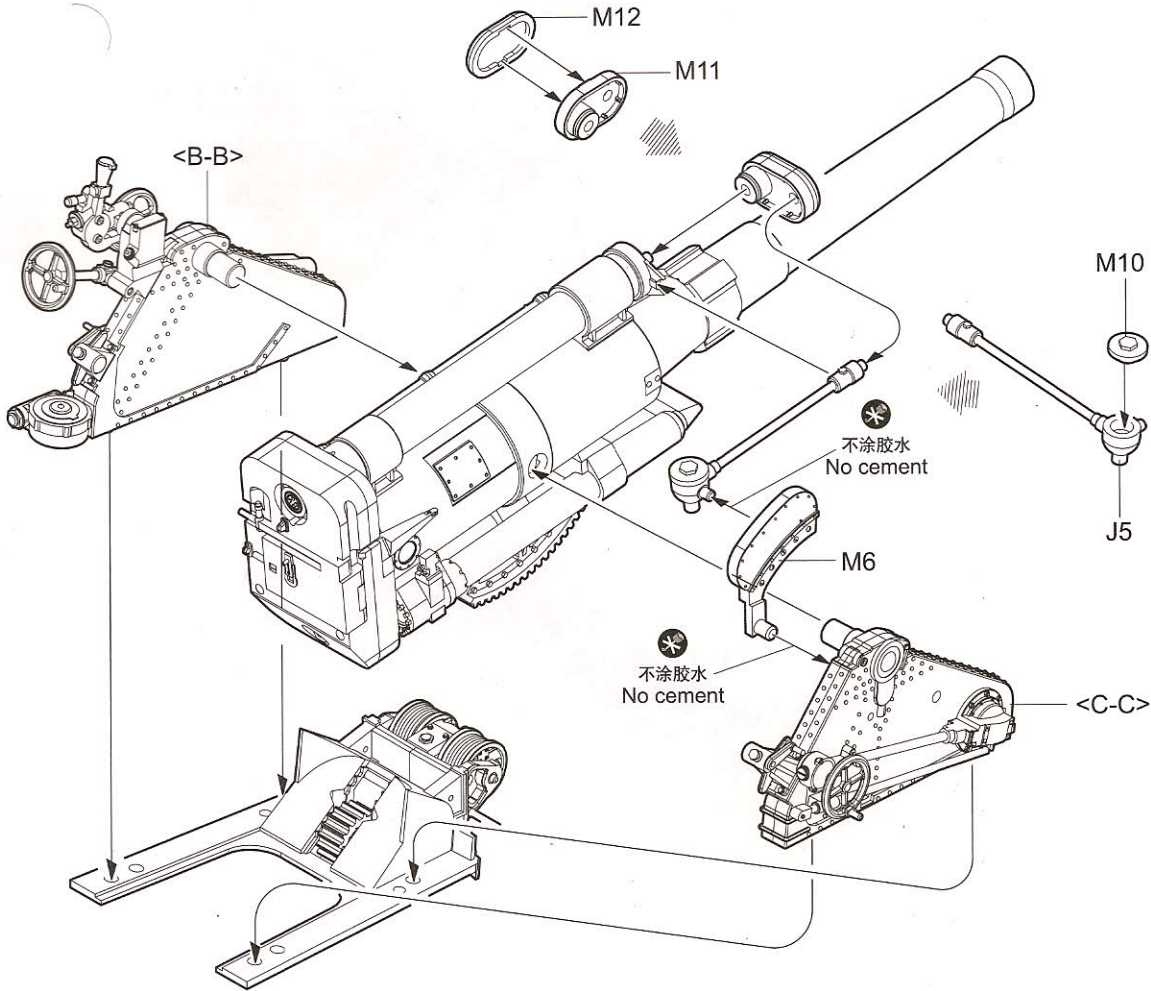
11



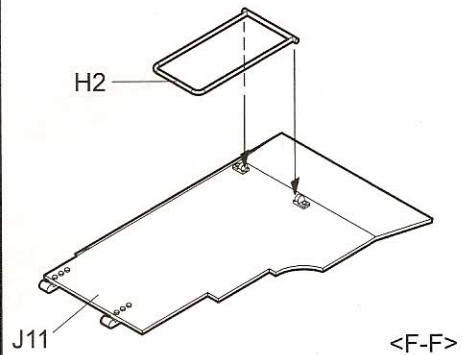
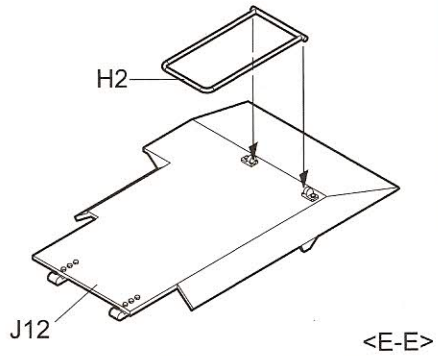
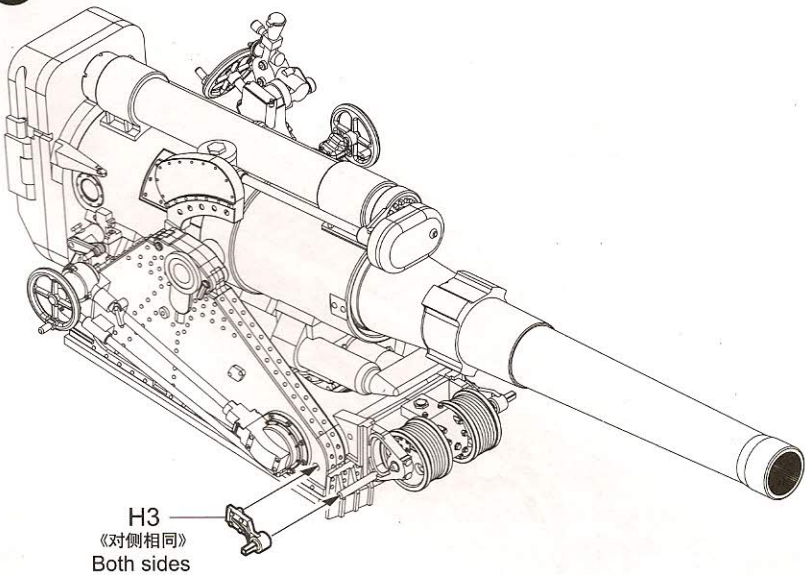
12

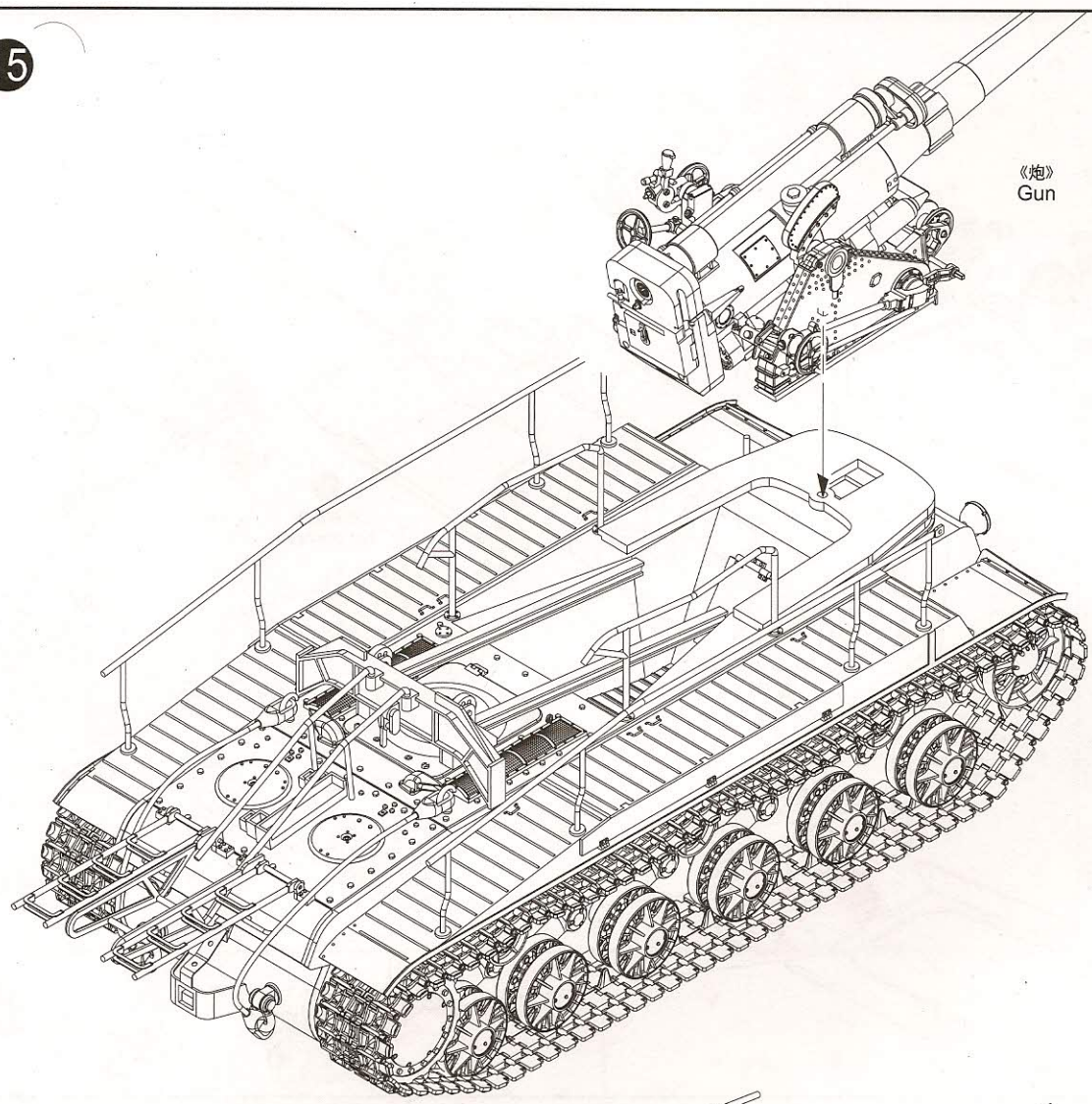


13

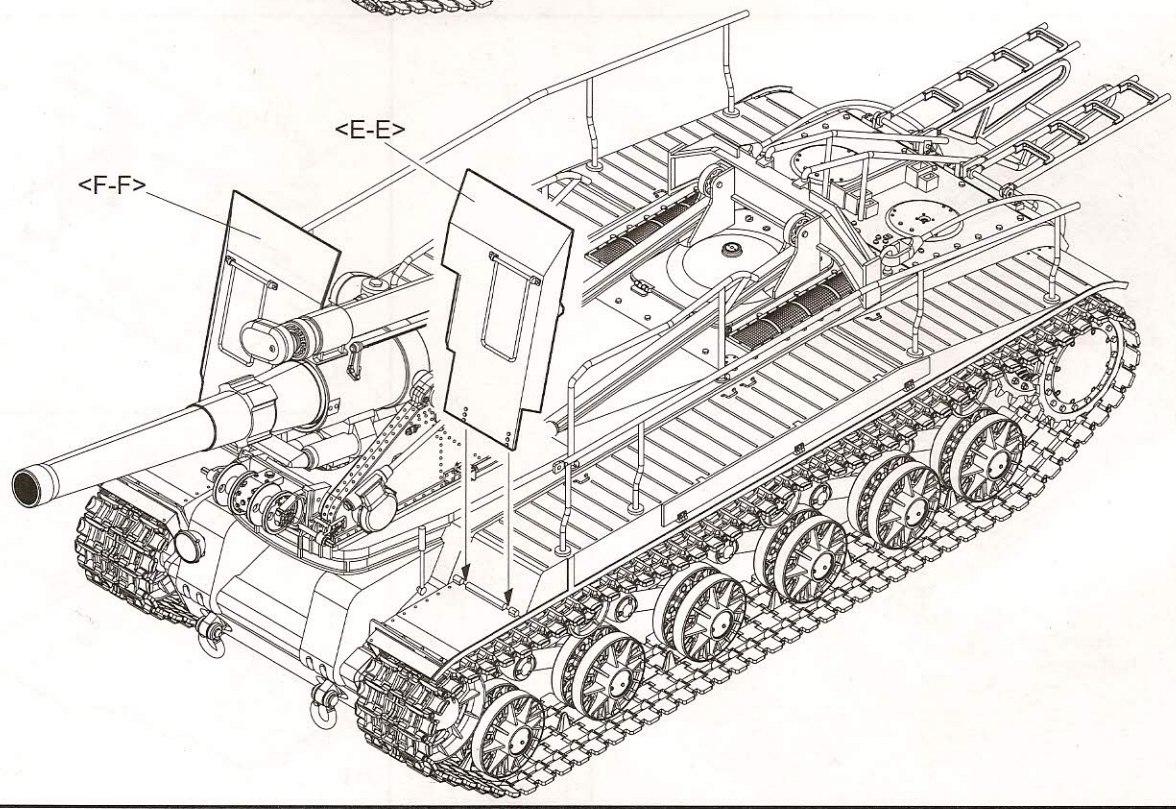


14





《炮》
Gun

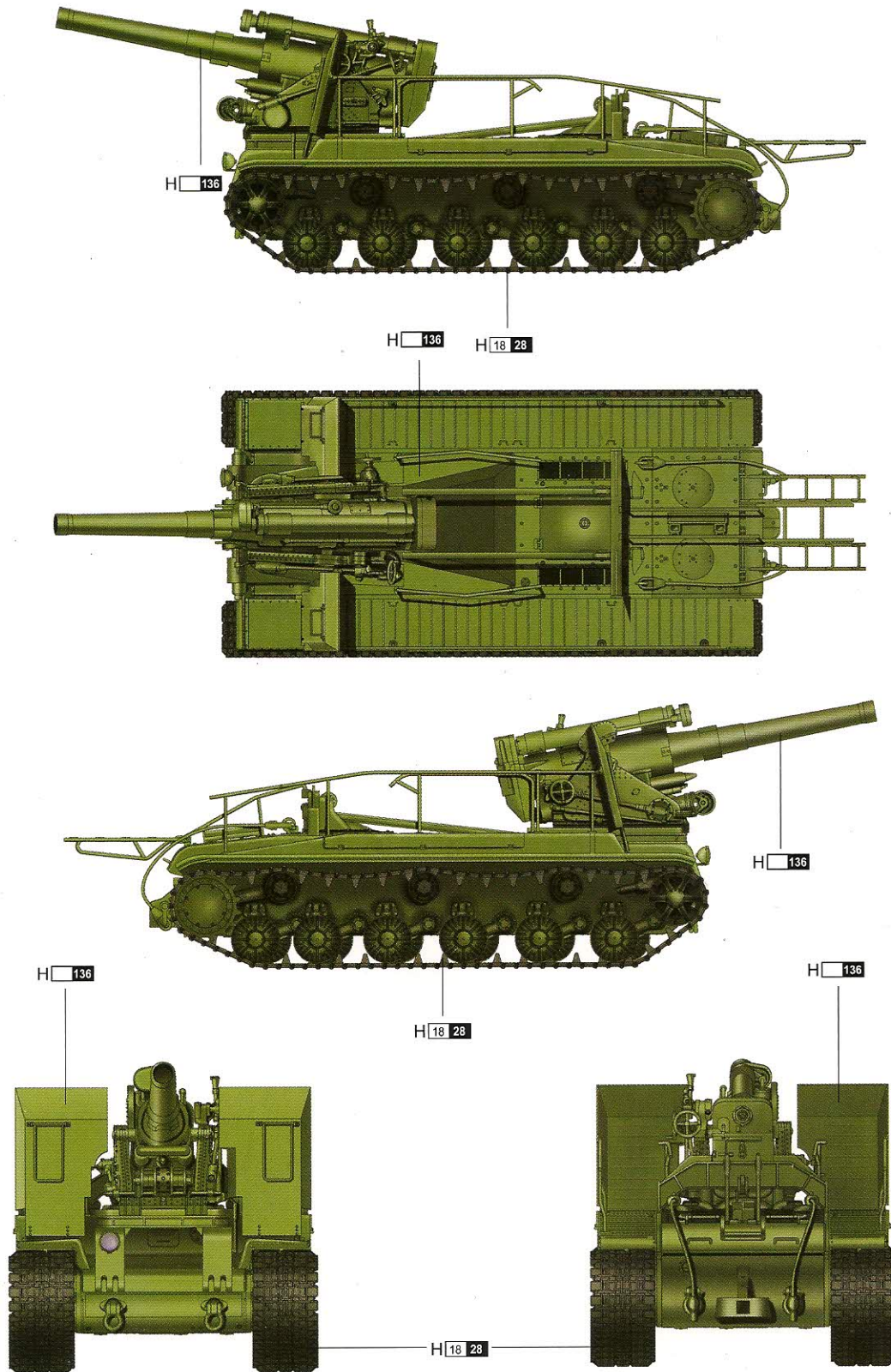


涂装同标贴指示

Painting & Marking guide

PAINT REFERENCE COLOUR

Color	Mr.Hobby	Vallejo	Model Master	Tamiya	Humbrol
Metal Black 黑铁色	H 18 28	864	1402	-	-
Russian Green(2) 苏联绿	H 136	823	-	-	-



H [X] AQUEOUS HOBBY COLOUR

[X] MR COLOUR

05583 1/35 Soviet S-51 Self-Propelled Gun

1/35
scale 05583

Soviet S-51 Self-Propelled Gun

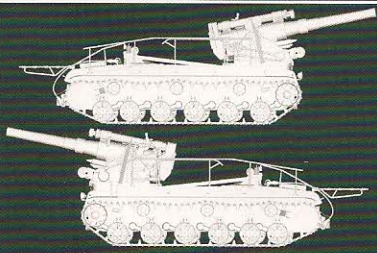
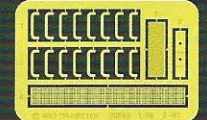


100% NEW TOOLING!

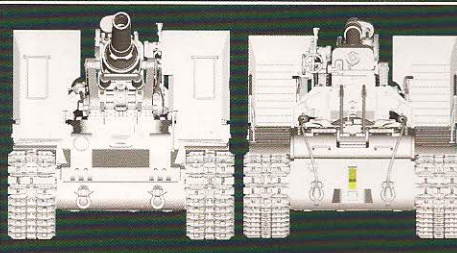


In 1943, the face of the Germans more and more thick fortifications in defensive operations, the Soviet early small-caliber light howitzers powerful. After November 1943, authorized by the Revolutionary Committee of the Soviet Union the Ge Labin Central Artillery Design Bureau started to design the next generation of self-propelled guns, the KV-1S chassis and B-4 howitzer combination of design, named S-51 self-propelled artillery, optimize artillery combat combat readiness to complete the 20 minutes. In addition, due to the strong chassis of the KV-1S tank, the S-51 artillery can be folded to the rear to reduce the bodywork length to facilitate the march. S-51 in early 1944 by nearly 300 design test and a series of wild march test, basically reached the requirements, Soviet firepower summarized as, machine power in artillery belonging to excellent. 43 years after the SU-152, ISU-152 type of either anti-tank and fire support, or the emergence of closed fighting compartment fighting vehicles, as well as expensive howitzer B-4, S-51 gradually disappear in a The Sample car.

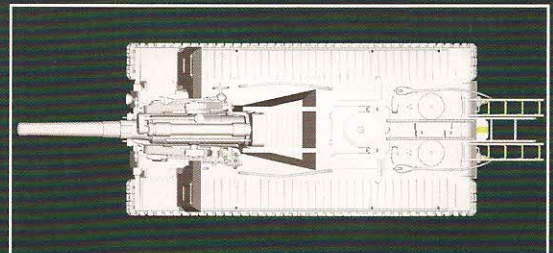
The kit consists of 367 parts on 16 sprues, 19 parts photo-etched and rope, copper cable.



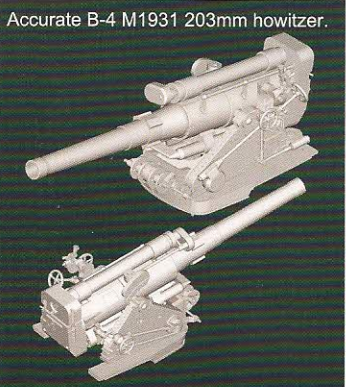
Left and right views of the vehicle.



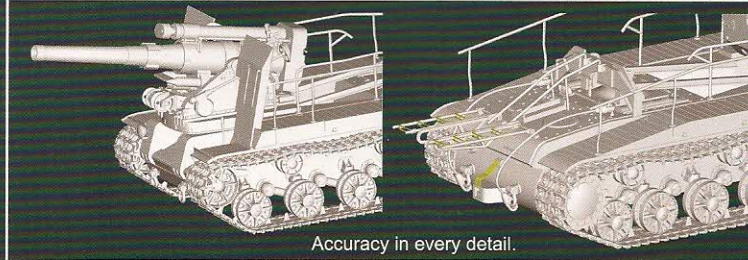
Front and rear views of the vehicle.



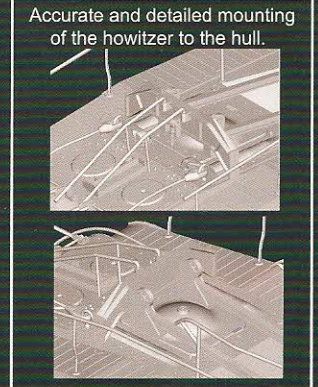
Top view of the vehicle.



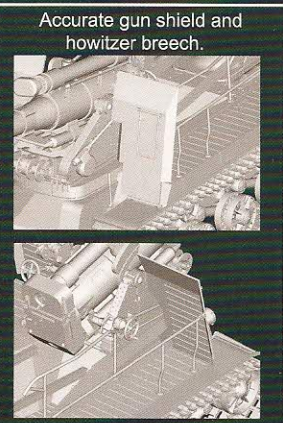
Accurate B-4 M1931 203mm howitzer.



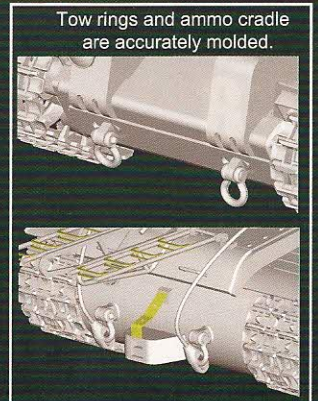
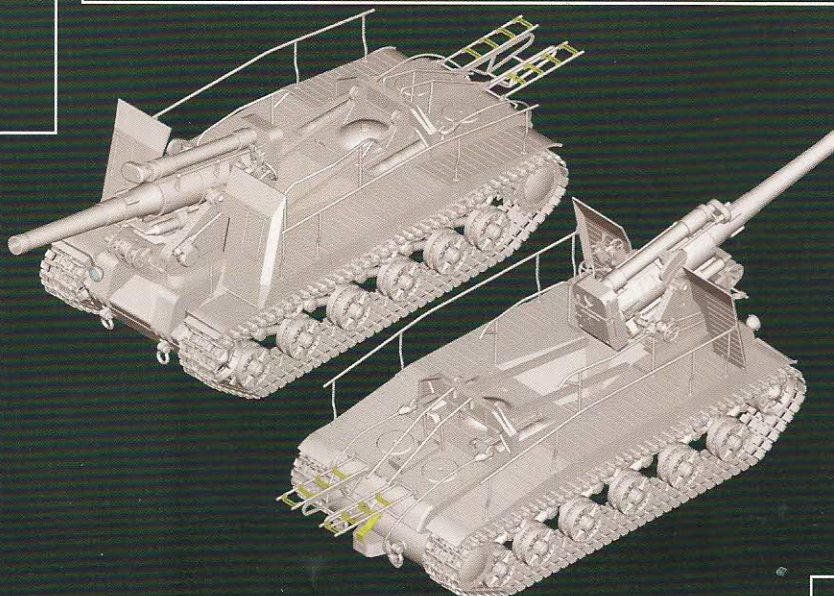
Accuracy in every detail.



Accurate and detailed mounting of the howitzer to the hull.



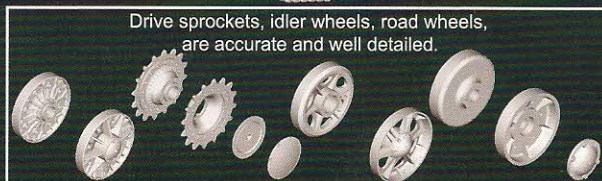
Accurate gun shield and howitzer breech.



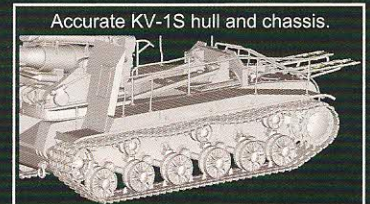
Tow rings and ammo cradle are accurately molded.



The individual tracks are well molded and easily assembled.



Drive sprockets, idler wheels, road wheels, are accurate and well detailed.



Accurate KV-1S hull and chassis.

1/48
scale
02847

NEW VARIANT!



J-8F finback



The J-8II series appear quite different from the original J-8, with a new forward fuselage, intakes and nose structure more reminiscent of the F-4 Phantom II or Sukhoi Su-15 to house a new, more powerful radar. The J-8B first flew in November 1989, improved J-8II with JL-8A PD radar (70 km range). Powered by 2 x WJ-13AII turbojet engines. Armed with twin-barrel 23mm Type 23-III cannon and up to 4 PL-5 or PL-8 AAMs or rockets/bombs. No BVR capability.

The kit consists of 340 parts on 12 sprues, 8 parts photo-etched.

1/350
scale
06265

NEW VARIANT!



EH-101



The kit consists of 39 parts on 6 sprues.

1/350
scale
06266

NEW VARIANT!



HAS-3



The kit consists of 90 parts on 6 sprues.

1/35 scale
05522

NEW VARIANT!



Soviet T-64BV MOD 1985



The T-64 was conceived in Kharkov as the next-generation main battle tank by Alexander A. Morozov, the designer of the T-54.

A revolutionary feature of the T-64 is the incorporation of an automatic loader for its 125-mm gun, allowing a crewmember's position to be omitted, and helping to keep the size and weight of the tank down, and the T-64B of 1976 would be able to fire a guided antitank missile through its gun barrel.

The T-64 would be used only by the Soviet Army and never exported, unlike the T-54/55. It was superior to these tanks in most qualitative terms, until the introduction of the T-72B model in 1985. The tank equipped elite and regular formations in Eastern Europe and elsewhere, the T-64A model being first deployed with East Germany's Group of Soviet Forces in Germany (GSFG) in 1976, and some time later in Hungary's Southern Group of Forces (SFG). By 1981 the improved T-64B began to be deployed in East Germany and later in Hungary.

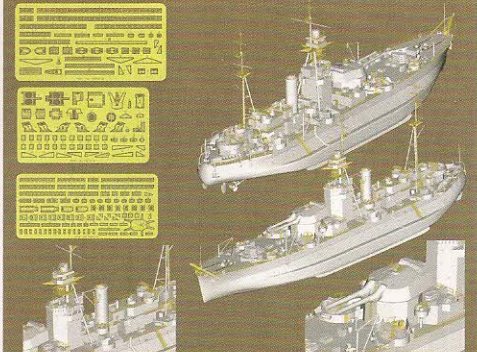
The kit consists of 556 parts on 24 sprues, 54 parts photo-etched.

1/350
scale
05335

100% NEW TOOLING!



HMS Roberts Monitor



Roberts class-HMS Roberts the first ship on the design blueprint from his predecessors "dark circles class". HMS Roberts on the use of main guns of 381 mm caliber 42 times Mark-I mo turret, is the same time queen Elizabeth class and hood and the main gun derived type. The ship also prepared the 4 seat double 102 mm 45 times diameter "MK-V" dual rapid-fire guns, British 40 mm 2 pounds "pom-pom" cannon and American "Oerlikon 20 mm cannon".

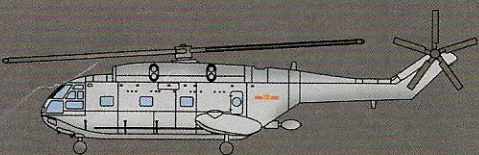
Its features is the Roberts class destroyers hull waterline near mustered a huge torpedo compartment, accounting for about 3/5 of the total length of the hull, the compartment to improve driving stability, reduce the depth and improve underwater protection has important significance.

The ship during World War II, participated in the "Torch" action, "avalanche" action, the Normandy landings and a series of allied fire support missions, the allied army is valid and reliable.

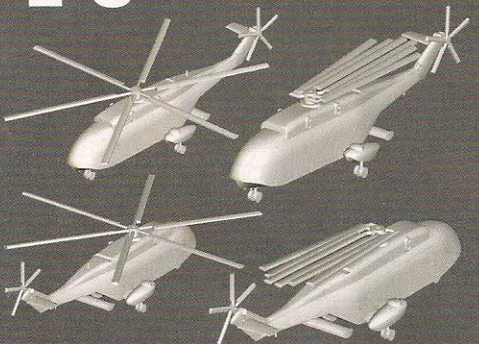
The kit consists of 357 parts on 12 sprues, 193 parts photo-etched and 1 metal chain.

1/350
scale
06267

NEW VARIANT!



Z-8



The kit consists of 84 parts on 6 sprues.

Doing more for the modeler
Visit our website at www.trumpeter-china.com

N02

IMPORTERS AND DISTRIBUTORS OF HOBBY SPECIALTIES