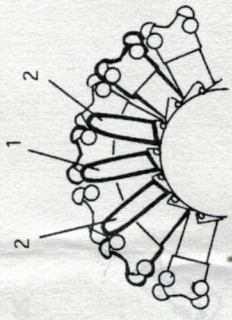
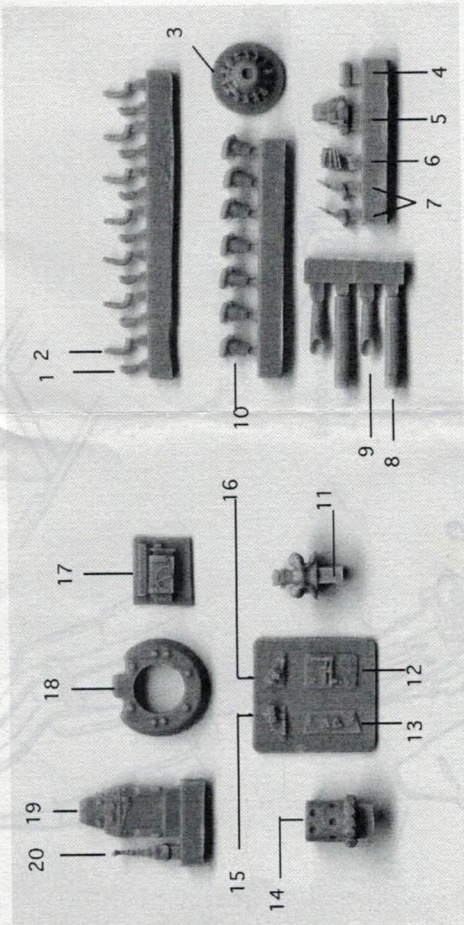




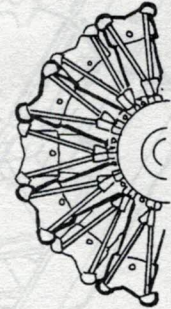
**VERLINDEN PRODUCTIONS**

811 Lone Star Drive O'Fallon MO 63366

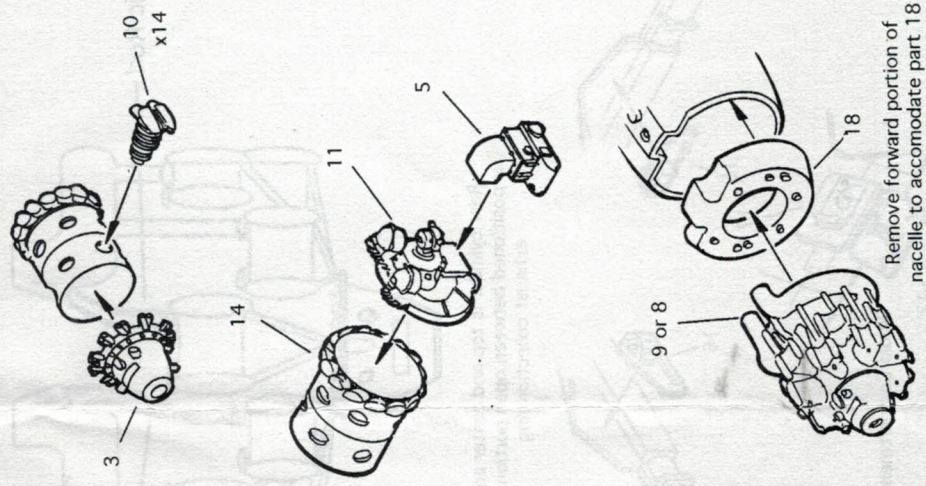
**N°1551 Henschel HSI29 B-2 Update Set (Hasegawa) 1:48 Scale**



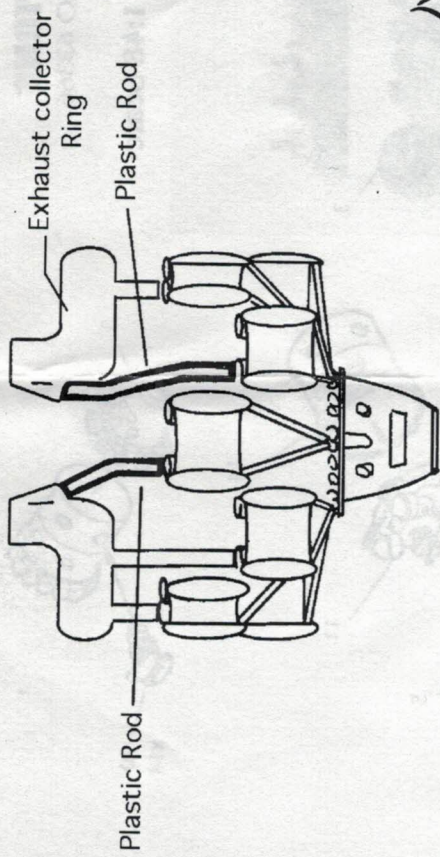
Intake pipes part 2 connect to front row of cylinders and parts 1 connect to back rows.



Use stretched sprue for pushrods



Remove forward portion of nacelle to accommodate part 18



Rear cylinder is top and center and is positioned between open portion of exhaust collection ring

