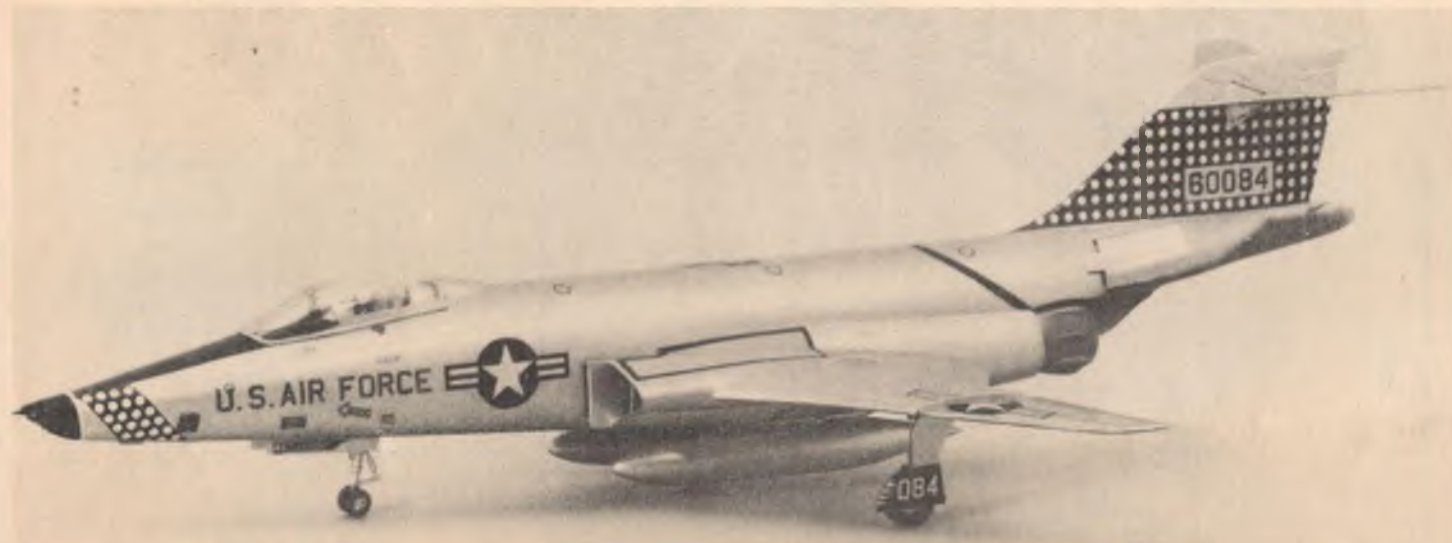


McDonnell-Douglas RF-101C VOODOO

1037

1/72 SCALE



Even though the U.S. Air Forces RF-101 Voodoo is unarmed it still cause for concern to an enemy. The RF-101 flashes over the ground at supersonic speeds with a battery of high resolution cameras in its nose to photograph troop or material concentrations. These were the planes that brought back evidence of Russian long-range missiles in Cuba in 1962. During the Vietnam War, SAM missiles and Mig 21 interceptors posed for the Voodoo's cameras.

Before a bombing attack is planned, RF-101's take detail photos of the proposed target to provide strategists with background information. After the attack, the speedy camera planes return to record the damage.

A total of 166 RF-101C versions of this plane were built. These carry Hycon KS-72A and KA-45 cameras. These cameras can take pictures so sharp that details on the ground as small as a playing card can be identified from several miles high.

In addition to its service in the U.S. Air Force, twenty-five RF-101C's have been delivered to the Chinese Nationalist Air Force.

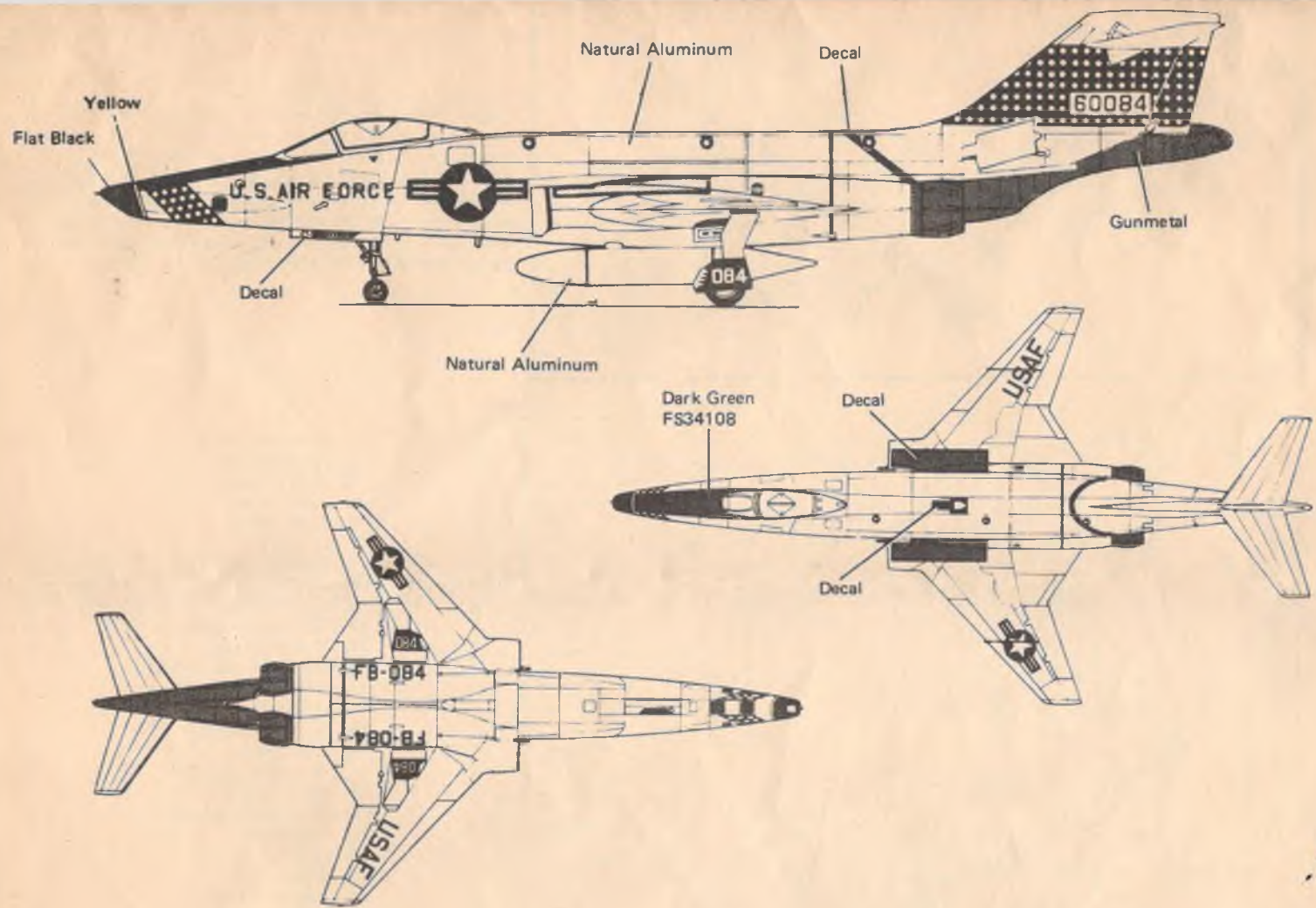
CHARACTERISTICS

Dimensions: Wingspan - 39 feet 8 inches. Length - 69 feet 3 inches.

Powerplant: Two Pratt & Whitney J57-P-13 turbojets rated at 14,880 lbs. s.t. each with afterburning.

Performance: Maximum speed - 1,040 mph (Mach 1.5) at 40,000 feet. Range - 1,700 miles with auxiliary tanks.

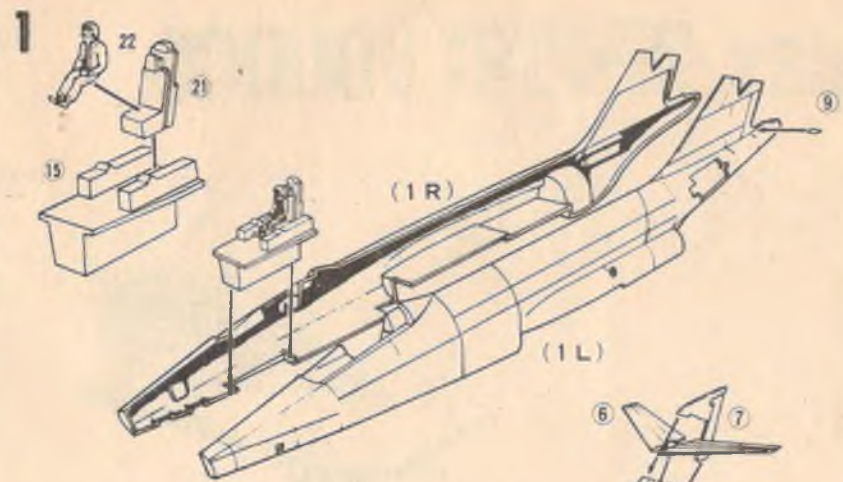
PAINTING SUGGESTIONS



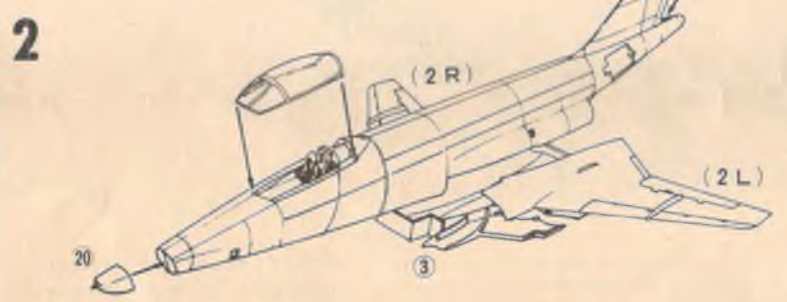
MINICRAFT MODELS, INC.
 1510 W. 228th STREET
 TORRANCE, CALIFORNIA 90501



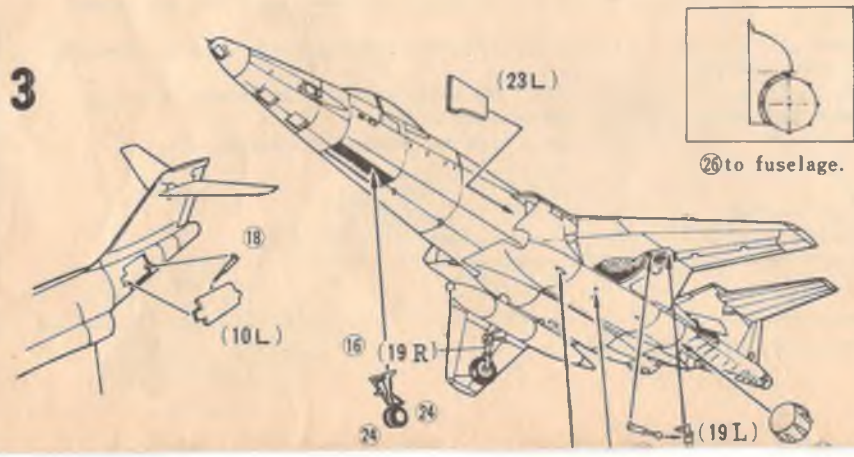
Printed in U.S.A.



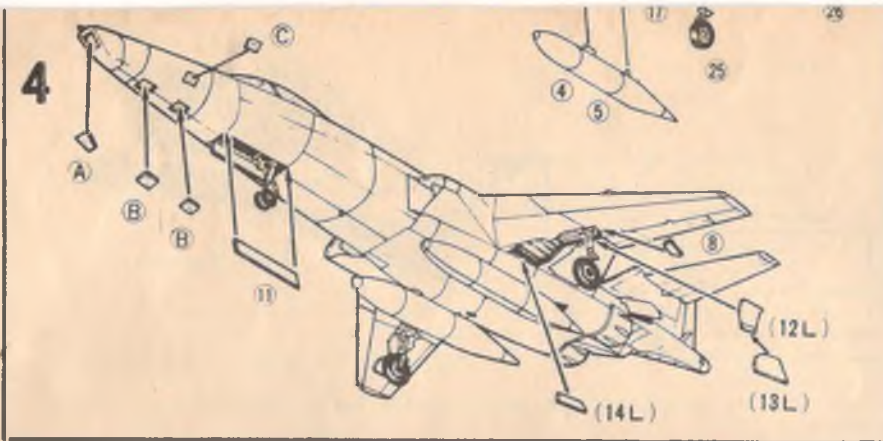
STEP 1: Cement 22 to 21 then cement 21 to 15. Cement 15 over nose wheel well in 1R. Cement 1R to 1L. Cement two 9's to fuselage as indicated.



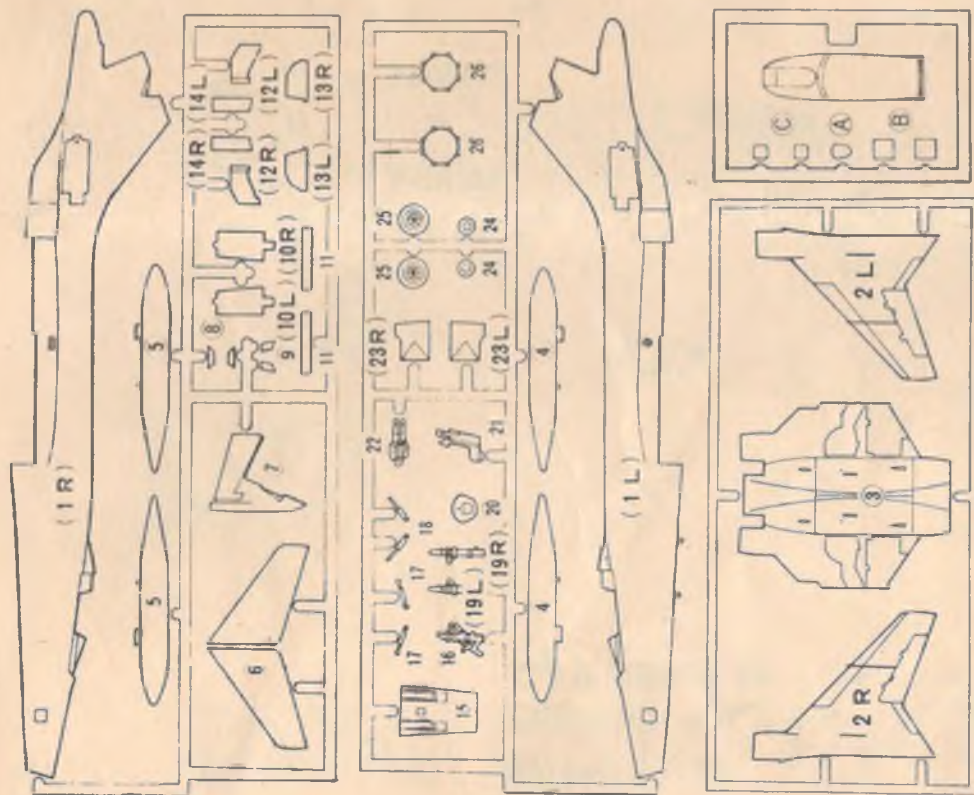
STEP 2: Cement 20 to nose. Cement canopy over cockpit. Cement 3 to fuselage bottom then cement 2L and 2R to 3 as shown. Cement 6 to fin top then cement 7 in place.



STEP 3: Cement one 18 to 10L and 10R then cement speed brakes to fuselage sides. Cement two 24's to 16 then cement 16 into nose wheel well. Cement 23L and 23R to inside edge of air intakes. Cement one 25 and one 17 to 19R then cement 19R into right wheel well. Repeat with 25, 17 and 19L for left main gear. Cement one 26 to rear of each engine fairing. Make two drop tanks by cementing 4 and 5 together then cement tanks to fuselage bottom.



STEP 4: Cement clear windows A, B, B, C and C into nose depressions. Cement two 11's along the sides of the nose well. Cement 12L and 13L together then cement to left strut. Cement 8 and 14L in place beside left well as shown. Repeat with parts 12R, 13R, 8 and 14R for right gear.



1. Fuselage (R&L)
2. Wing (R&L)
3. Wing bottom
4. Tank half (2)
5. Tank half (2)
6. Stabilizer
7. Rudder
8. Small gear door (2)
9. Fuel vent (2)
10. Speed brake (R&L)
11. Nose door (2)
12. Main gear door (R&L)
13. Main gear door (R&L)
14. Main gear door (R&L)
15. Cockpit interior
16. Nose strut
17. Retracting strut (2)
18. Actuator (2)
19. Main gear strut (L&R)
20. Nose cone
21. Seat
22. Pilot
23. Splitter (L&R)
24. Nose wheel (2)
25. Main wheel (2)
26. Afterburner (2)

CLEAR PARTS.

- A. Nose port
- B. Bottom ports (2)
- C. Side ports (2)
- Canopy