

CUT



USE A SAW TO REMOVE SUPPORTS
FROM 3D PRINTED PARTS



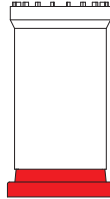
R7 x1



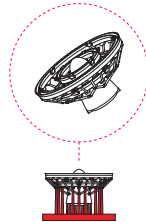
R1 x1



R2 x1



R3 x1



R4 x1

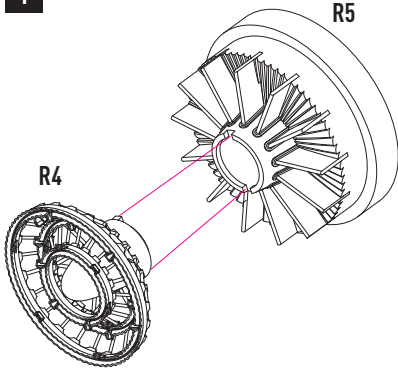


R5 x1

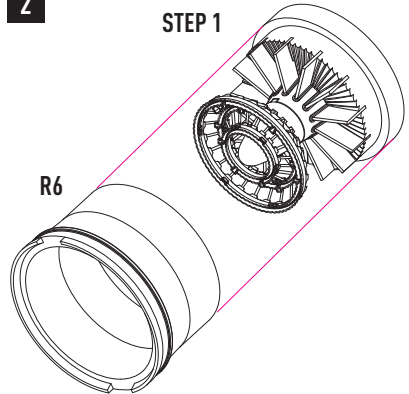


R6 x1

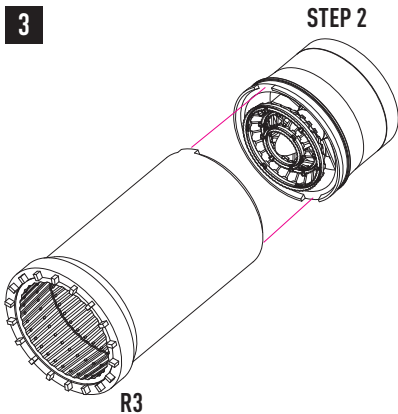
1



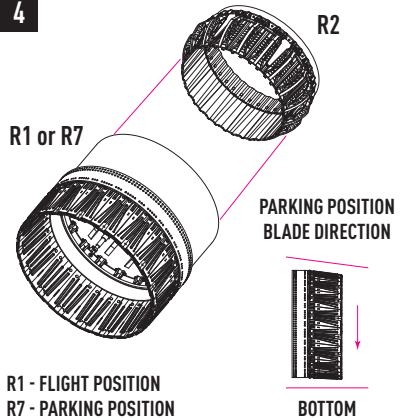
2



3



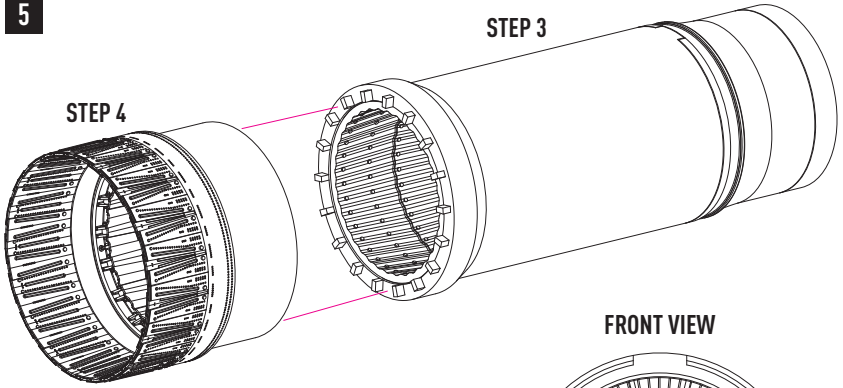
4



5

STEP 3

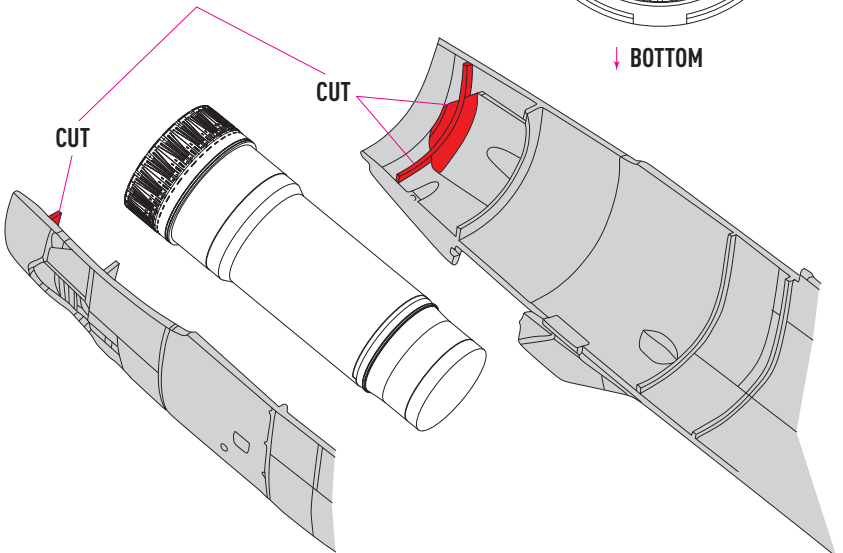
STEP 4



FRONT VIEW

6 STEP 9 FROM TRUMPETER MANUAL

DO NOT CUT OUT
AIRBRAKE COMPARTMENT!



↓ BOTTOM