

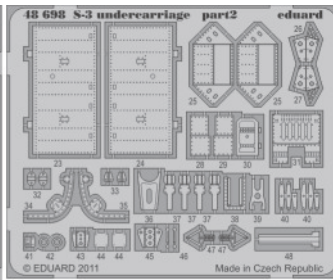
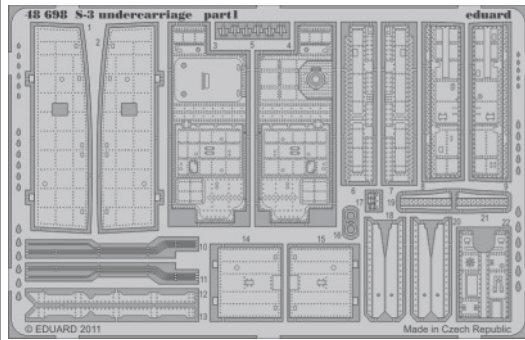


S-3 undercarriage

eduard

48 698

1/48 scale detail set for Italeri kit • sada detailů pro model 1/48 Italeri



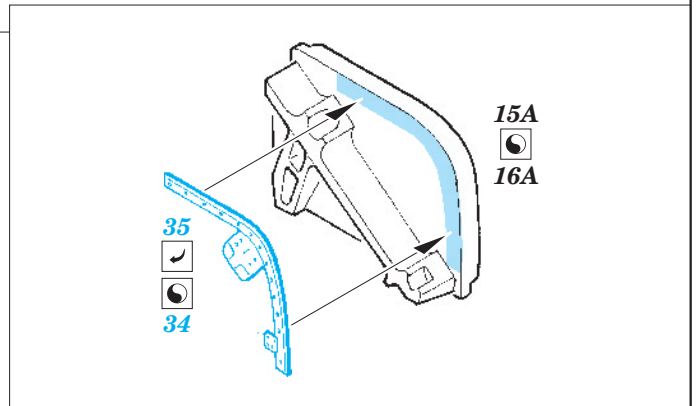
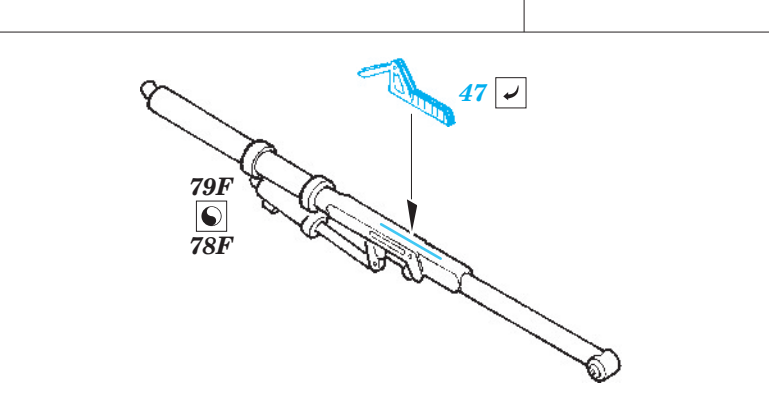
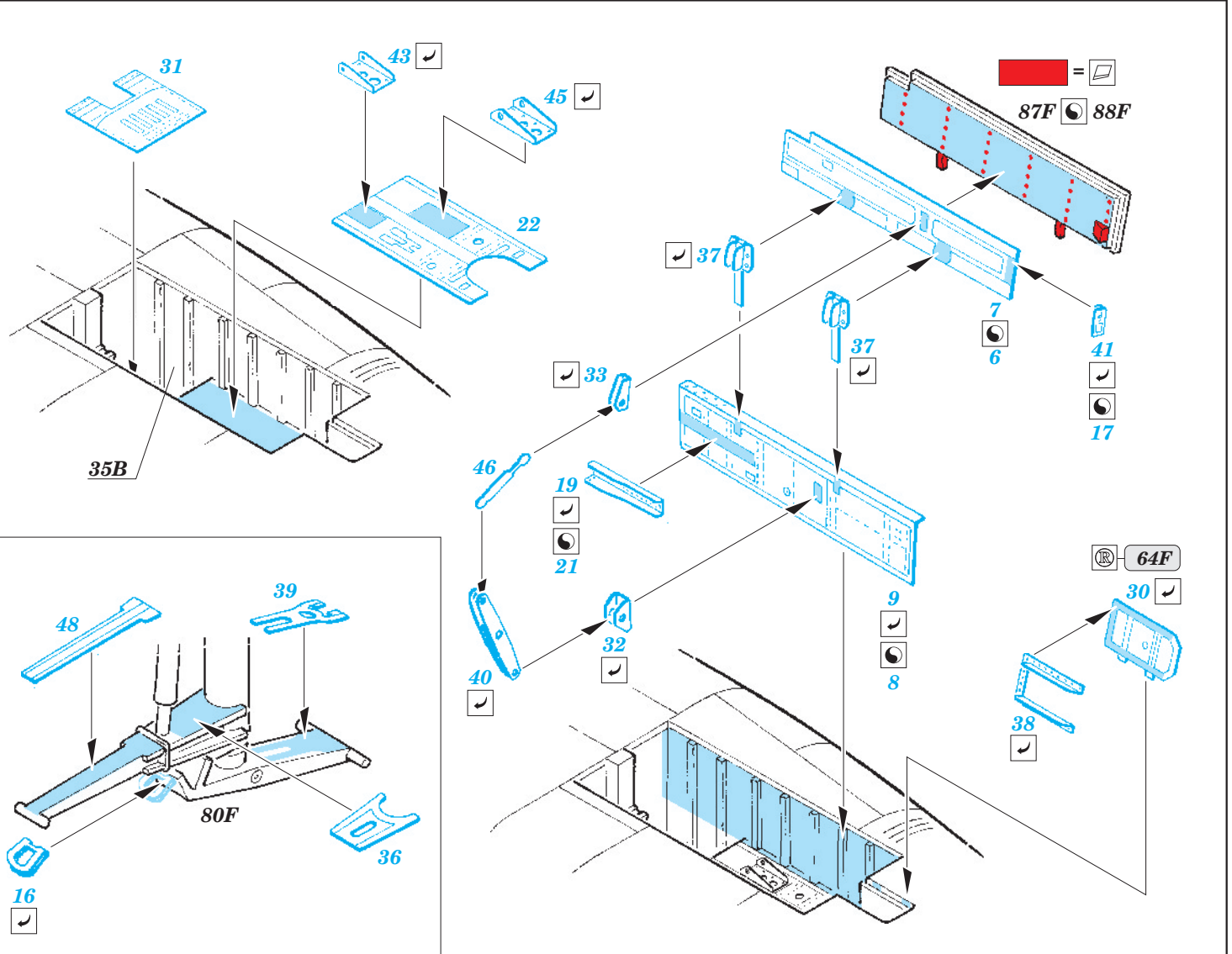
- APPLY EXPRESS MASK AND PAINT BEFORE GLUING
POUŽIT EXPRESS MASK NABARVIT PŘED SLEPENÍM
- SYMMETRICAL ASSEMBLY
SYMETRICKÁ MONTÁŽ
- REMOVE
ODSTRANIT
- GRIND
OBROUSIT
- DRILL HOLE
VRTAT OTVOR
- BEND
OHNOUT
- OPTION
VOLBA
- REPLACE
NAHRADIT

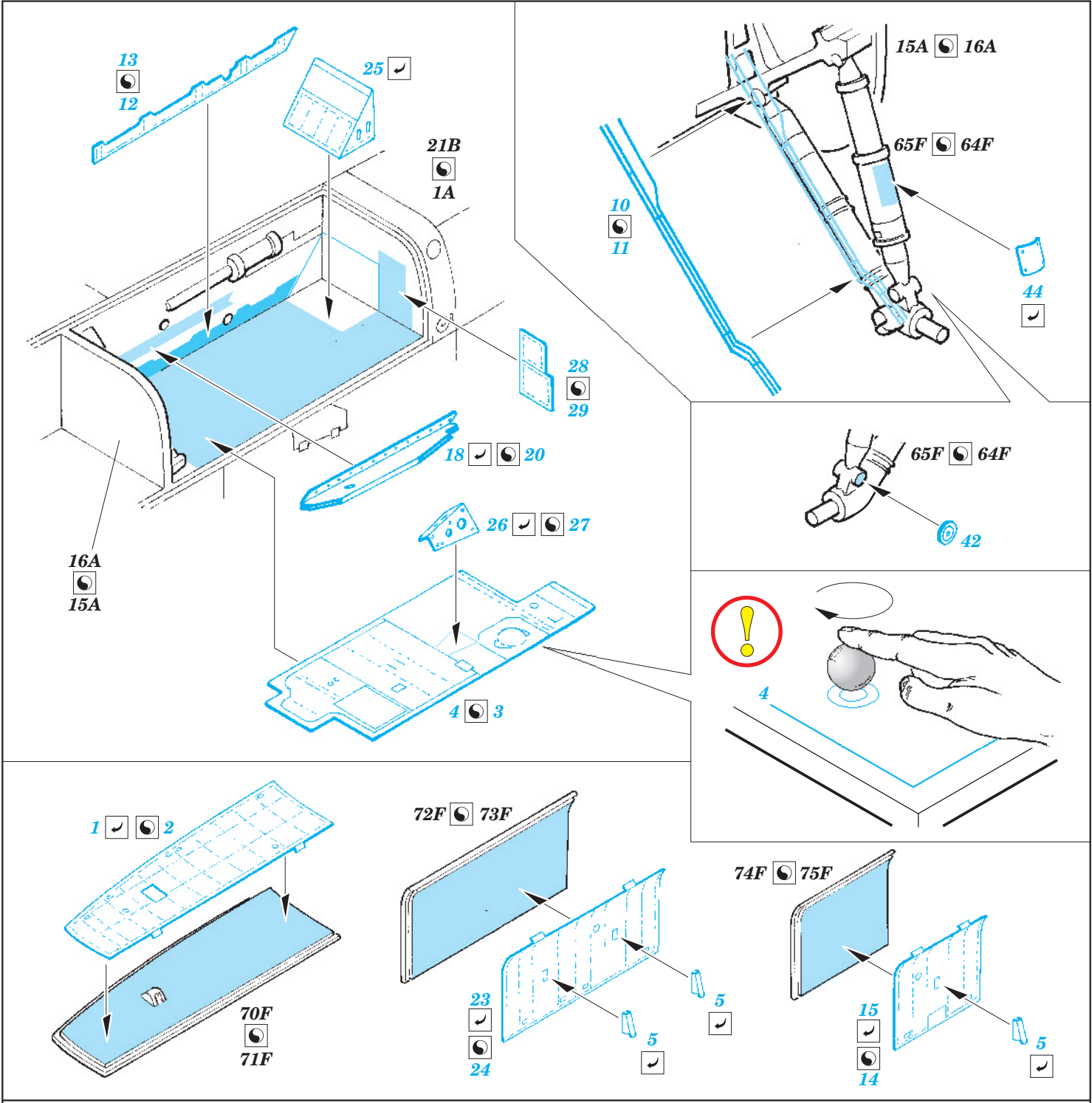
ORIGINAL KIT PARTS
PŮVODNÍ DÍLY STAVEBNICE

PHOTO-ETCHED PARTS
LEPTANÉ DÍLY

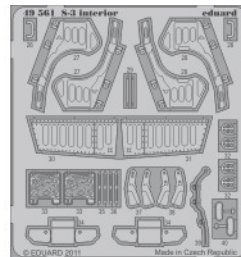
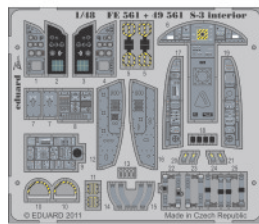
PARTS TO BE REMOVED
DÍLY K ODSTRANĚNÍ

FILL
TMELIT





*For further detail sets look for **eduard** 49561 S-3 interior S.A. (not included in this set)*



*For further detail sets look for **eduard** 48 696 S-3 exterior (not included in this set)*

*For further detail sets look for **eduard** 48697 S-3 bomb bay (not included in this set)*