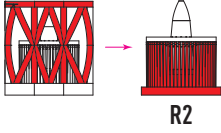
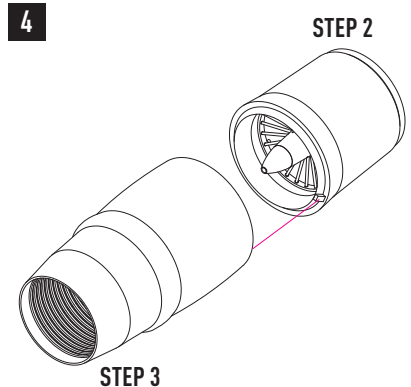
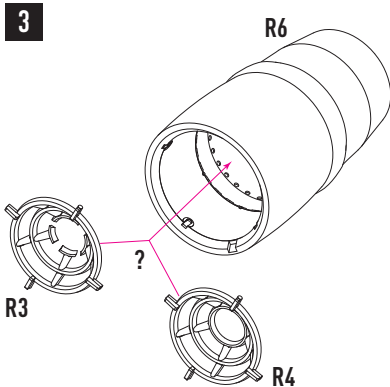
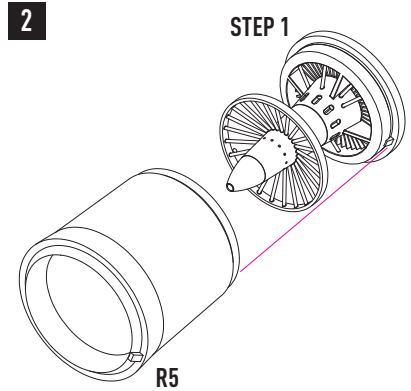
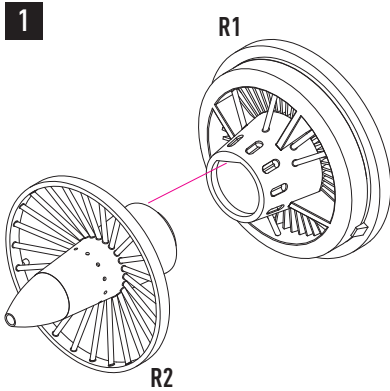
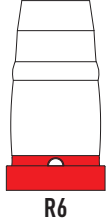
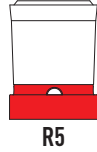


### CUT

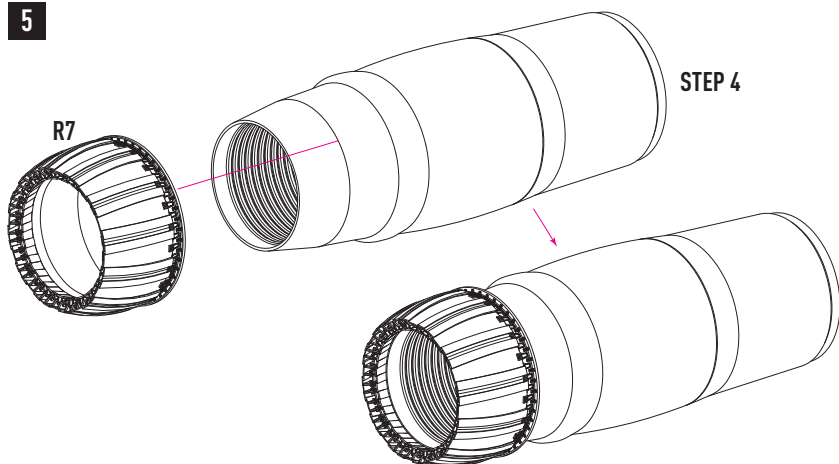


**REMOVE  
PROTECTIVE COVER**

USE A SAW TO REMOVE SUPPORTS  
FROM 3D PRINTED PARTS



5



6

