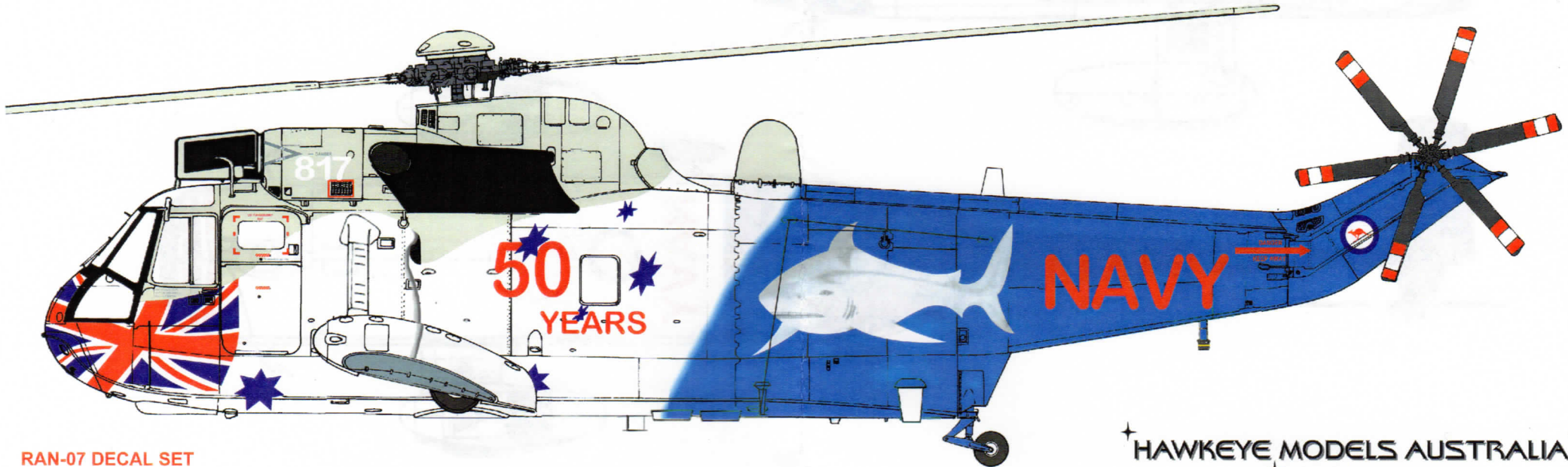
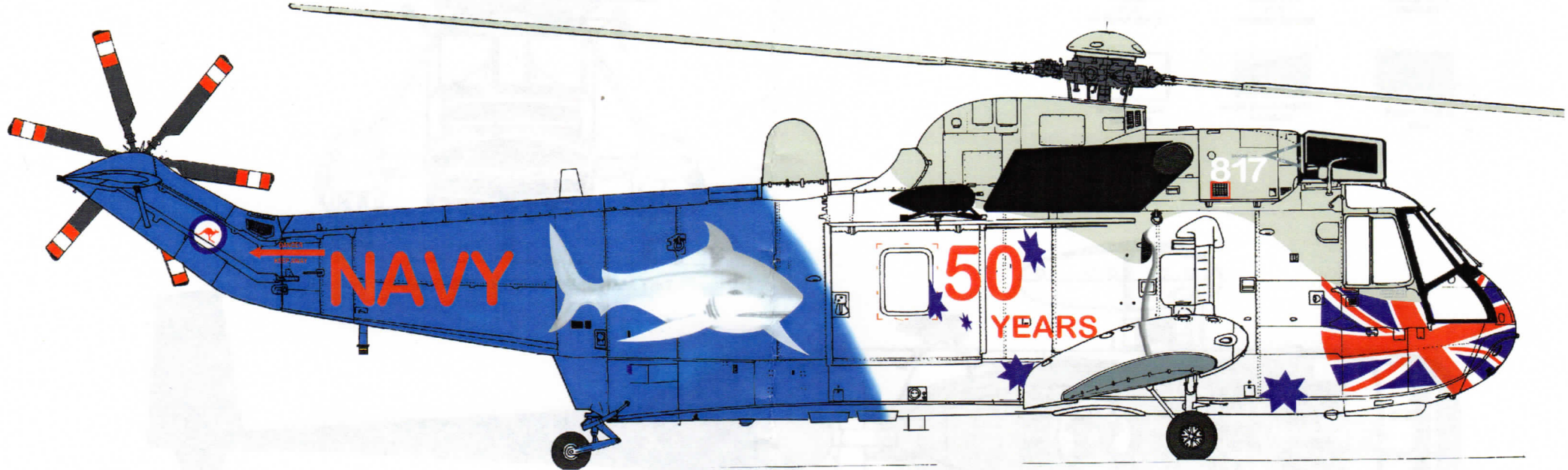


RAN GREAT WHITE SHARK
50th ANNIVERSARY SEAKING
817 SQUADRON





FLAT BLACK
FS-37038



SKY BLUE
H 25
GUNZE SANGYO



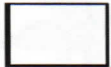
LJA GRAY
H 62
GUNZE SANGYO



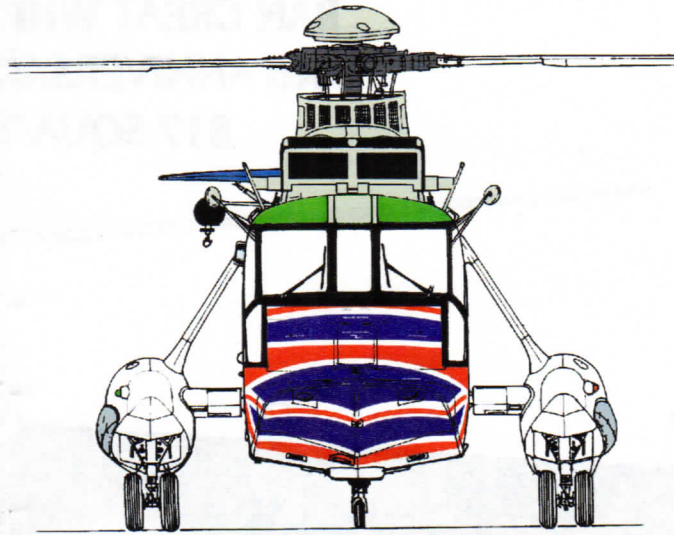
CLEAR GREEN
X-25



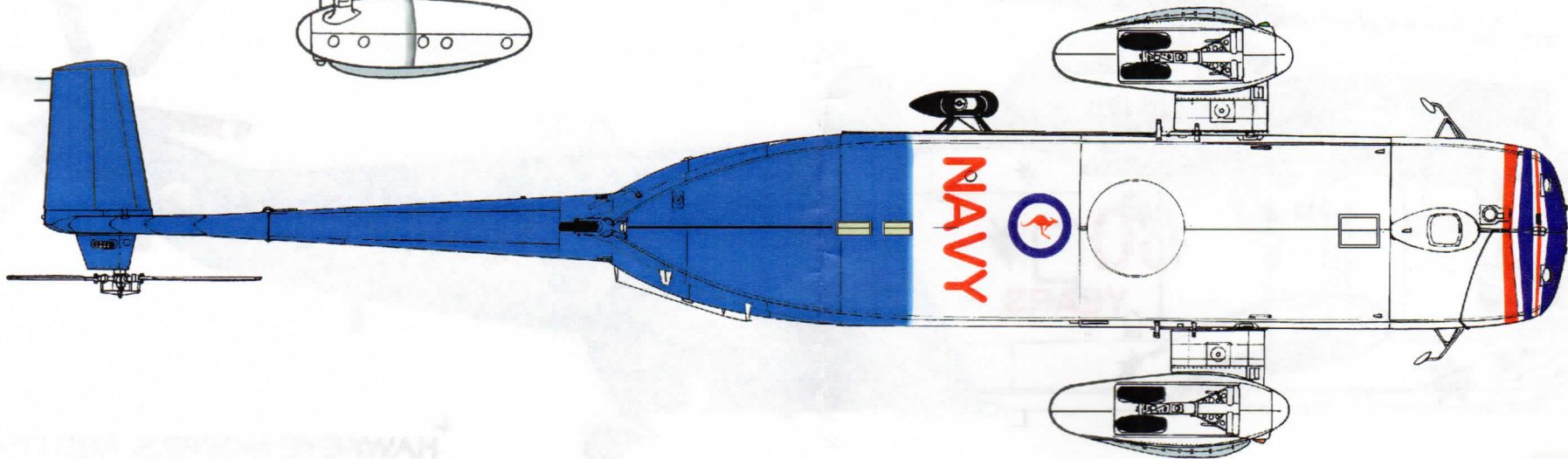
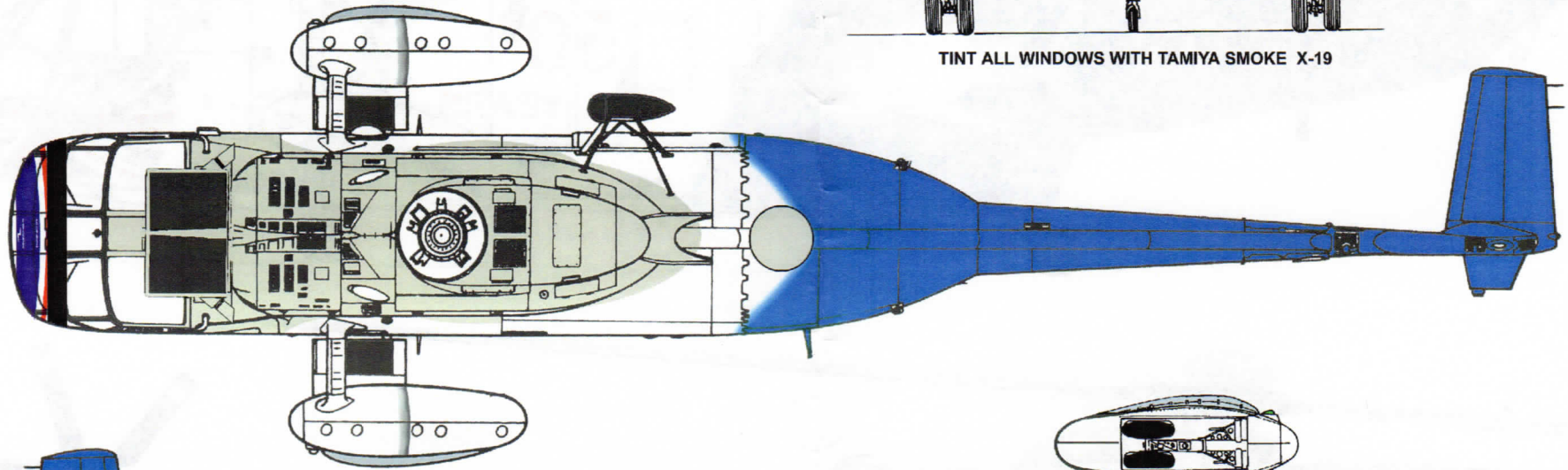
INTERMEDIATE BLUE
FS-35164



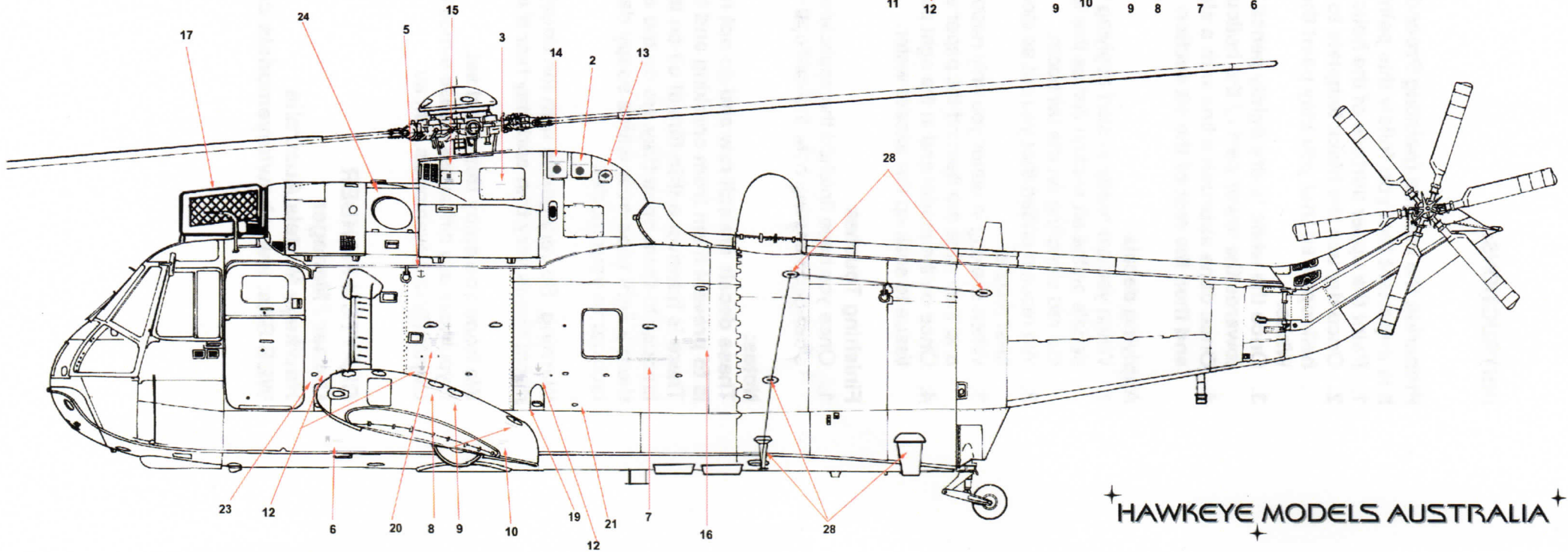
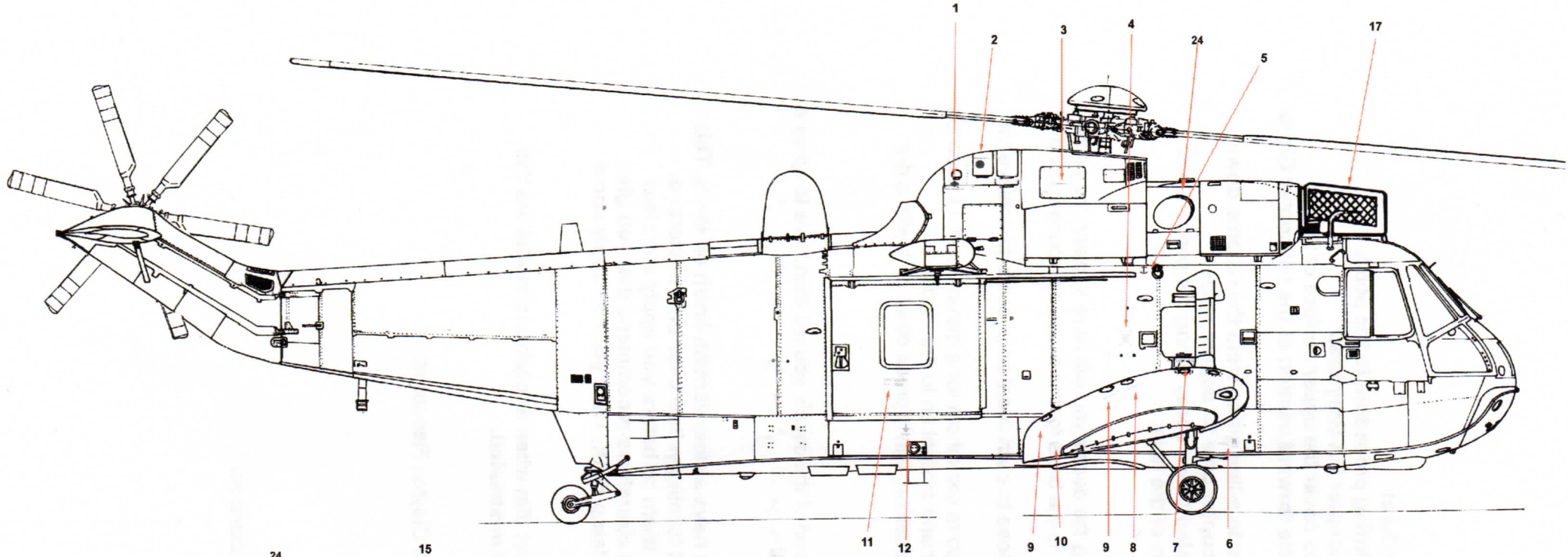
GLOSS WHITE
FS-17925



TINT ALL WINDOWS WITH TAMIYA SMOKE X-19



RAN 50th ANNIVERSARY GREAT WHITE SCHEME STENCILLING POSITIONING SHEET



INSTRUCTIONS:

Preparing the surface (painting Procedure)

It is important that you follow this painting procedure to the point.

1. Paint the upper surface of the helicopter IJA Grey first.
2. Once dry use the black template to cover the upper surface of the helicopter so that you may paint the forward section of the helicopter Gloss White.
3. Once the white is dry lightly pencil in a line going from the radome down towards the lower part of the helicopter on a 60 degree angle.
4. Once done airbrush a line with a slight over spray along the pencil lines and then the rest of the aft section of the helo.

Applying decals

1. When you are ready to start applying the decals you will have to place the white decals on the aft section first as this is the base for the shark, tail roundels and the red stenciling on the tail boom.
2. We recommended that you cut as close to each decal as possible to achieve the best results.
3. When soaking in water you only need to soak them for a maximum of 11 seconds and then slide the item off the paper and straight on to the model.
4. Once on the model and in the right position, lightly press down on it with a dry tissue to soak up the excess water.

Finishing Touches

1. Once you have finished the application of the decals you will then have to spray a clear gloss coating over the helicopter.

Notes:

These decals are still raw and do not have a clear varnish finish on them. This is to prevent them from cracking and turning yellow over time in storage. There is however a thin film of oil on them so before you apply any clear lacquer to them once they are on the aircraft we recommend that you give them a light wipe over with a soapy damp cloth. Then you can apply some lacquer to your model.

Warning: Be very gentle with the decal film when applying to model. As the decal film is very thin and may tear if mistreated.

We hope you enjoy this decal set.

If you have any difficulties please e-mail Clayton Fiander at clayton@hawkevemodels.com.au