

Soviet T-35 Heavy Tank - 1938/1939

ソビエト T-35 重戦車 1938/1939 年型

苏联T-35重型坦克-1938/1939年生产

PLEASE READ BEFORE OPERATION!

- * Tools recommended as below: (Not included)
Adhesives; Paints; Side Cutters; Sharp Edged Pliers; Modeling Knife; Modeling File; Nippers; Drill; Scissors; Sand Paper; Soft Cloth; Cyanoacrylate Glue.
- * Make sure to read this instruction listed below before assembling.
- * The kit contains the small parts, they can be dangerous if swallowed by mistake, so keep them away from reach of children.
- * Cut the all parts off carefully and remove the waste parts into the garbage can.
- * More caution and care should be needed for cutting and handling the photo etched parts.
- * Make attention that some parts should be attached the decal when assembled.
- * During assembling, please tear up and throw away the plastic bags, or may cause the dangerous if wearing over head by children's mistake.
- * When using the adhesives and paints, please do not use them in the closed room or near the fire, also must be very careful to protect your eyes, face and clothes.
- * Adult supervised when assembled by children under 14 years old.

装配前请仔细阅读:

- * 推荐使用的模型工具(请自备):
专用模型胶水, 专用模型油漆, 水口剪刀, 长咀钳, 刀片, 锉刀, 镊子钳, 钻, 剪刀, 软布, 砂纸, 瞬间快干胶等。
- * 用水口剪刀或刀片小心切下所有塑胶零件和蚀刻片零件, 不要遗失小零件。
- * 切取蚀刻片时应特别注意防止利边划伤手指。
- * 用模型锉刀小心锉平所有零件表面的注射浇口。
- * 用适量的强力快干胶水粘合蚀刻片零件和金属轴, 切忌过量, 否则可能导致可动零件被粘住。
- * 注意某些零件表面需在装配时同步贴水上水贴纸。
- * 制作时应远离幼儿并将包装袋及时收妥, 谨防小孩玩耍而引起意外。



using ca super glue
使用强力胶



weight
配重



make hole
钻孔



cut / remove
切除



option
选择



no cement
不涂胶水



decal
贴纸



bend
弯曲



repair
填补

The method to apply the decals

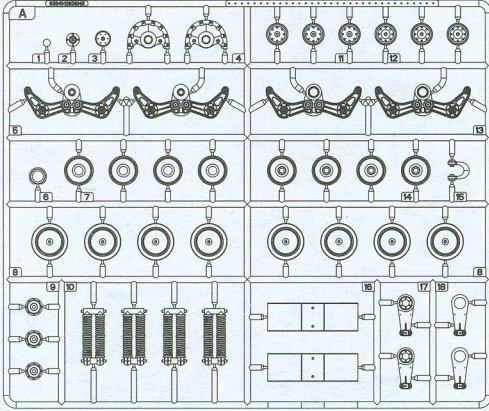
1. Cut off the decal from the decal paper and put it into the warm water 40°C for 10 seconds.
2. Take the decal from the water and put it on a piece of clean cloth.
3. Remove the decal slowly from the paper to the targeted location by a wet finger.
4. Use a piece of dry and soft cloth to press it gently on the decal until it getting dry and no bubble existing.

水贴纸的使用方法:

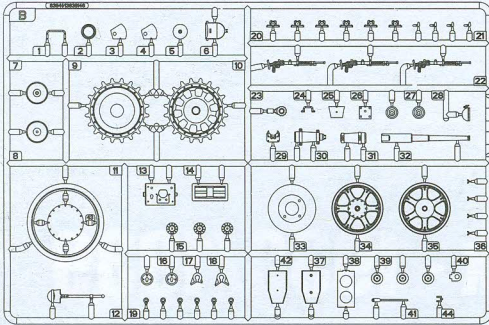
- 一. 把相关的印花从水贴上剪下, 放入40°C左右的温水中浸10秒。
- 二. 然后将印花放在干净的布上。
- 三. 拿上印花纸, 手指蘸水将印花移到适当的位置。
- 四. 用软干布轻压印花直至水干, 气泡消失。

部品图 Parts

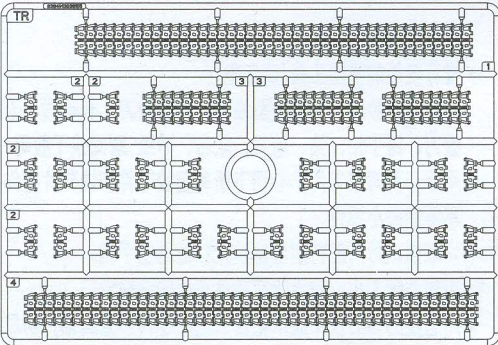
AX4



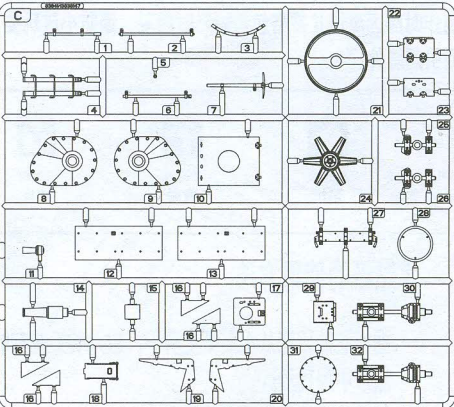
BX2



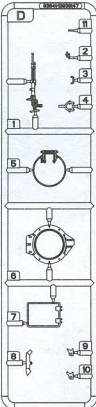
TRX2



C

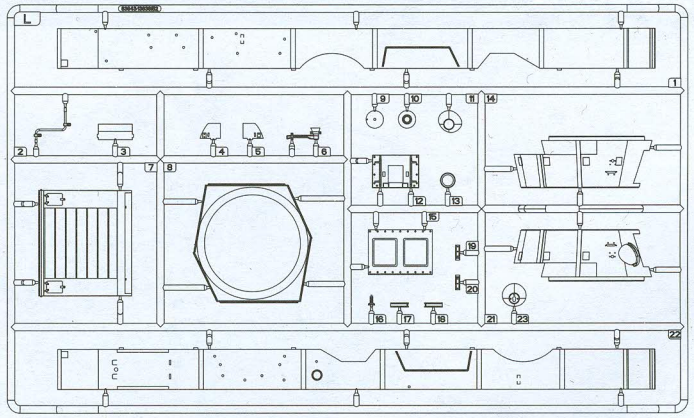


D

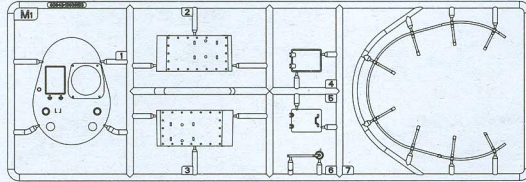


不用部品: B38、B39、C31、L16、PE-C15
No used parts

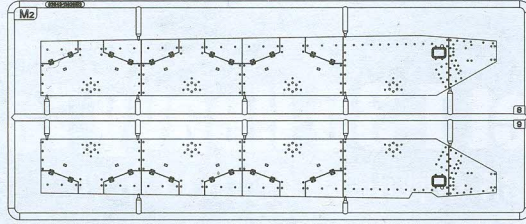
L



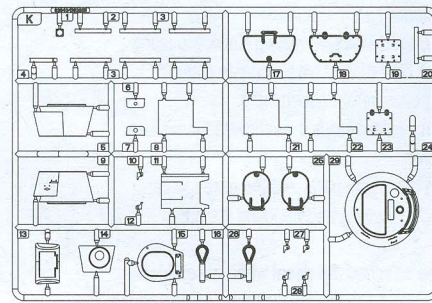
M1



M2



KX2



QX2



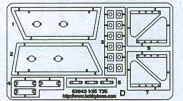
S



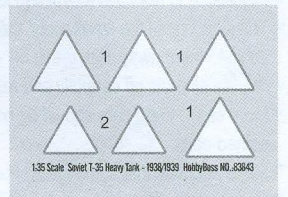
H13



蚀刻片 D
PE-D

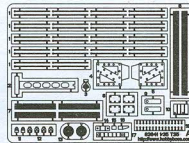


水贴
Decal

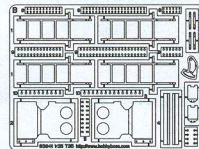


1:35 Scale Soviet T-35 Heavy Tank - 1939/1939 HobbyBoss MD.03043

蚀刻片 A
PE-A



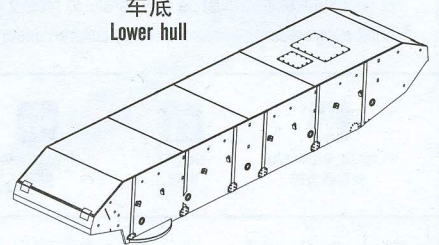
蚀刻片 B
PE-B



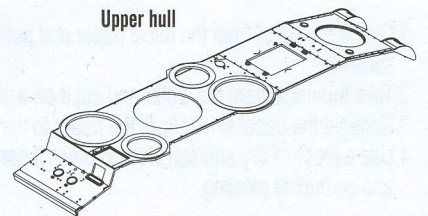
铜缆 300mm
Brass wire



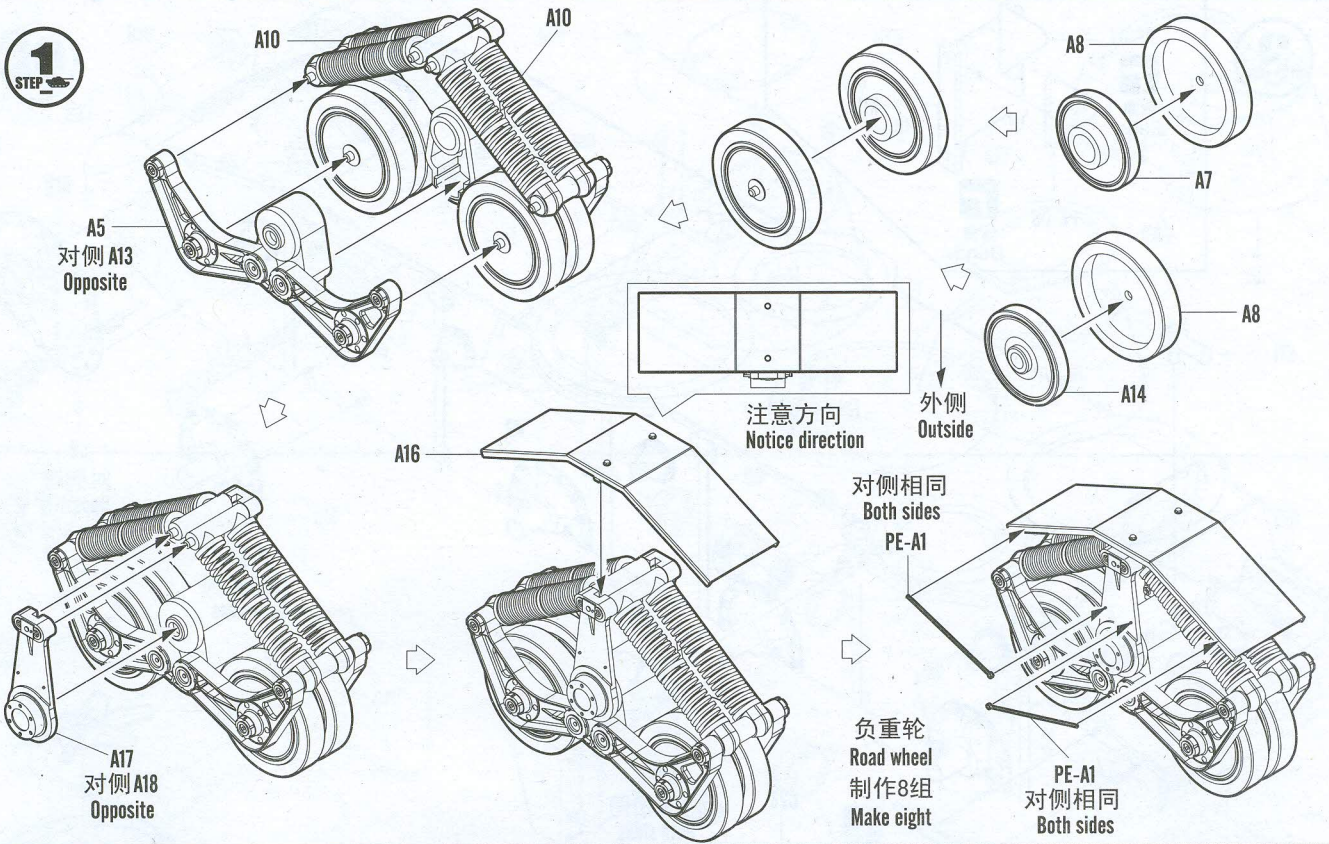
车底
Lower hull



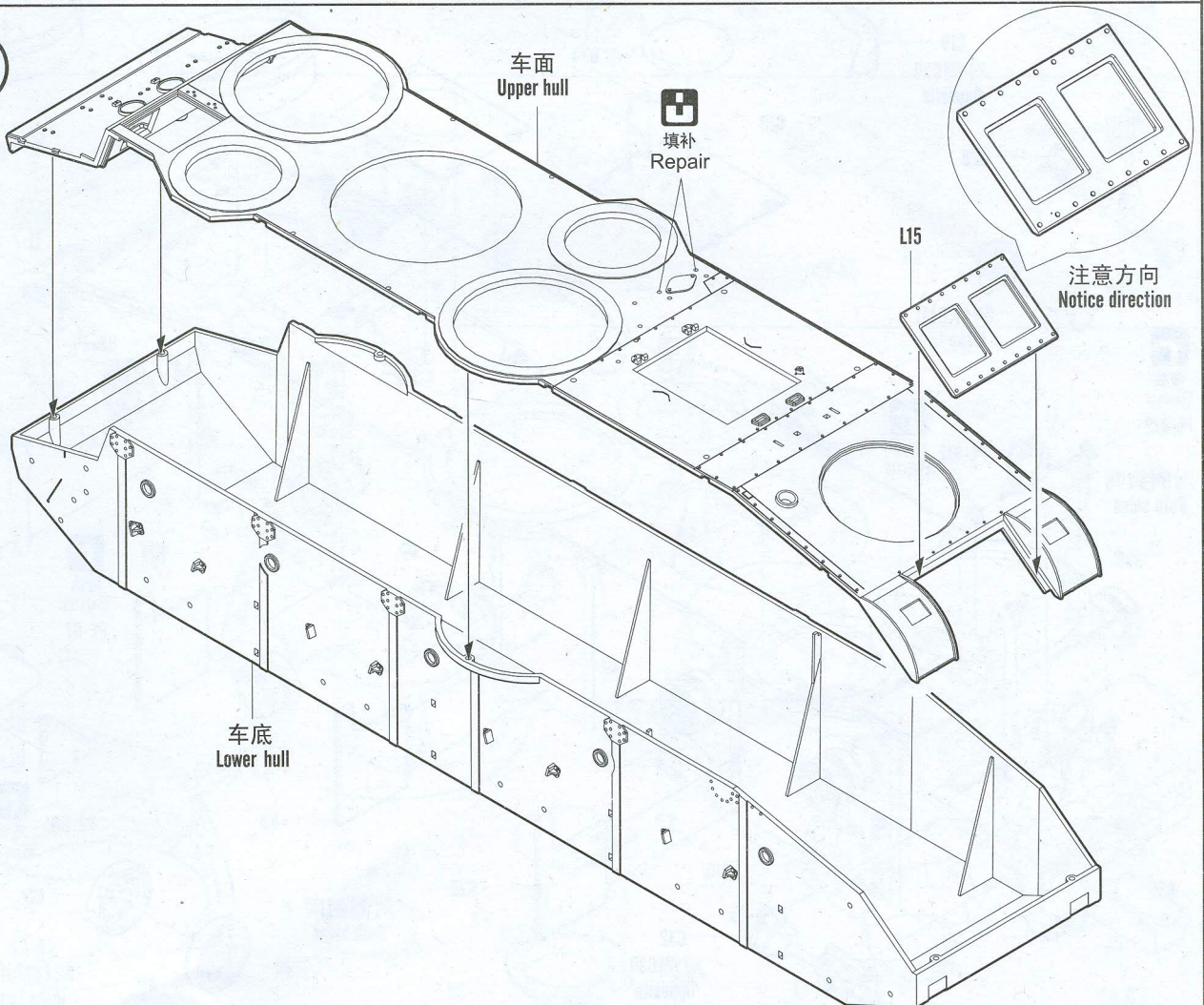
车面
Upper hull



1
STEP



2
STEP

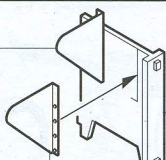


3
STEP

PE-D7



弯曲
Bend



K11

PE-D6



弯曲
Bend

《A》

C11

C8
对侧C9
Opposite

A4X4
对侧相同
Both sides

C24

A9X5
对侧相同
Both sides

C19
对侧C20
Opposite

C28

B24

Q1

B28

C21

B6

制作2组
Make two



弯曲
Bend
PE-A12



弯曲
Bend
PE-A12

对侧相同
Both sides

对侧《A》
Opposite

B36



弯曲
Bend
PE-D7

《A-A》 X5



弯曲
Bend
PE-D6

《A-A》
制作10组
Make ten

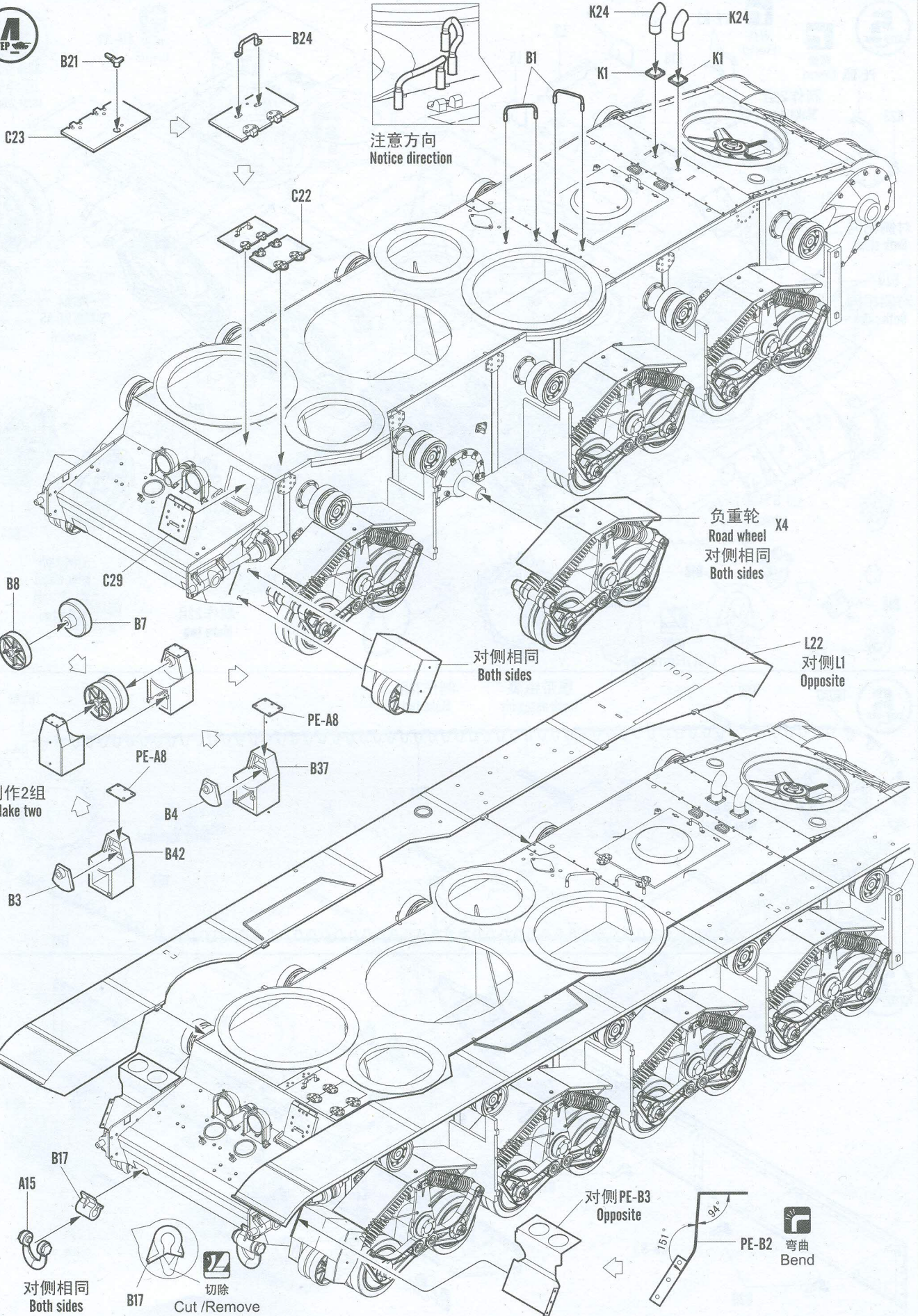
B36

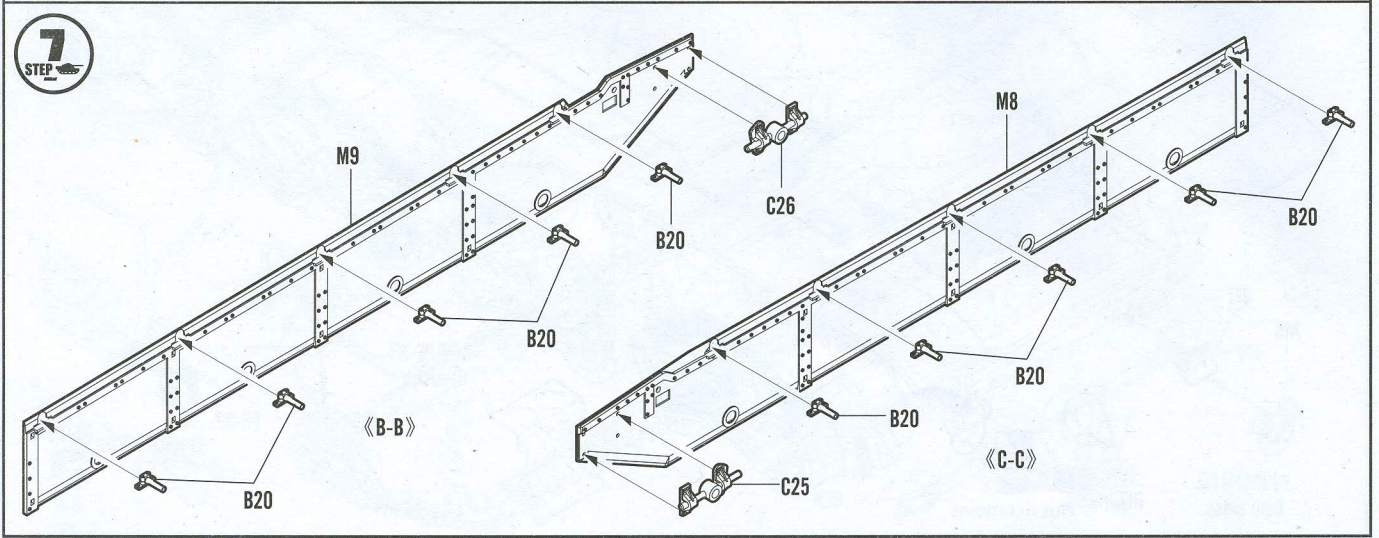
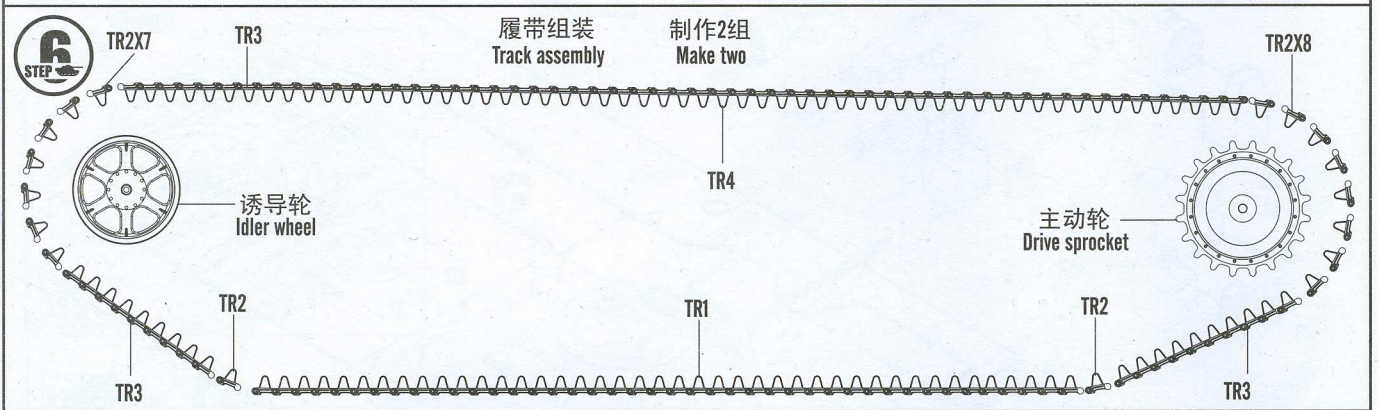
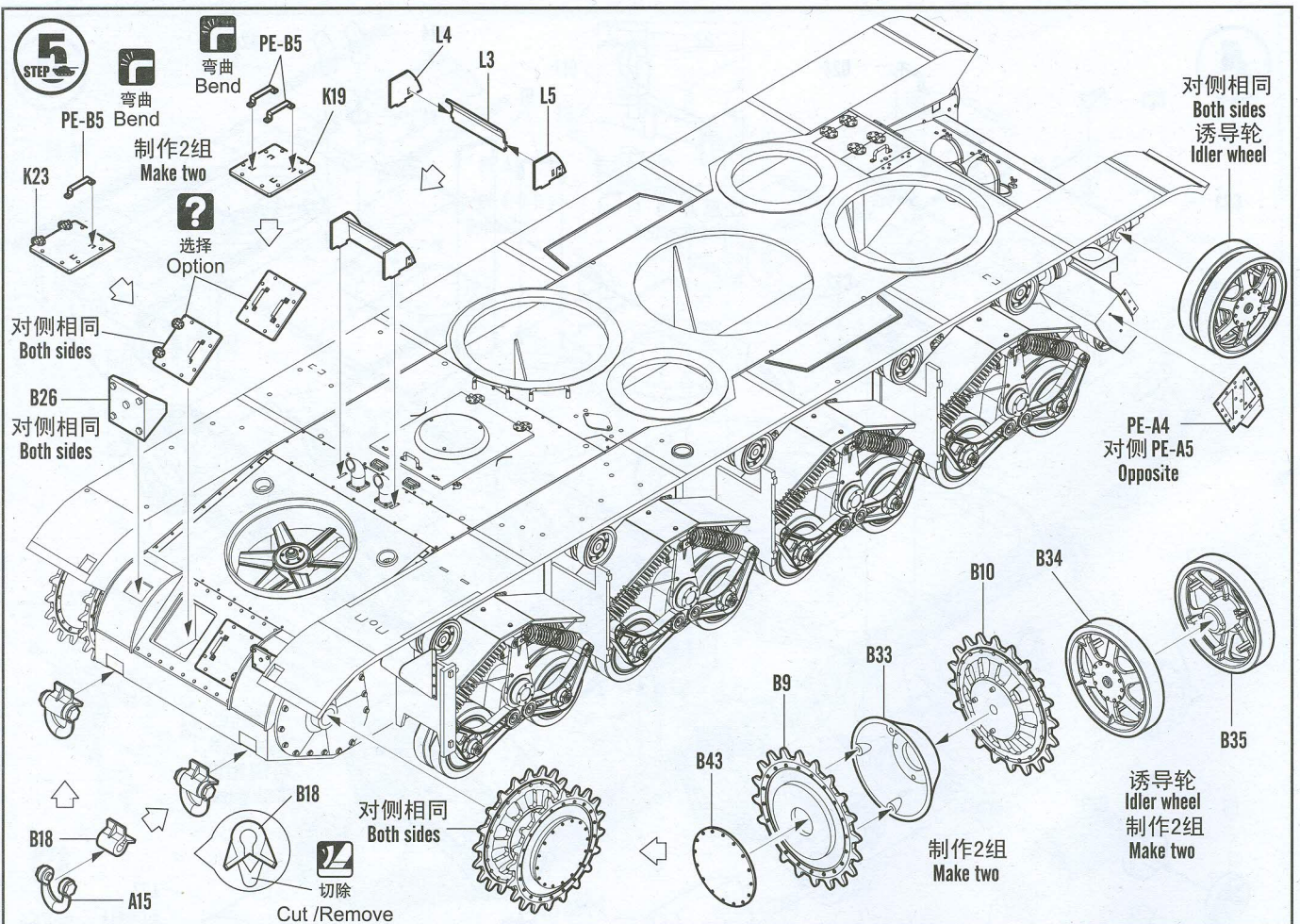
C32
对侧C30
Opposite

对侧相同
Both sides

A12

A11







PE-A11
弯曲
Bend

L7

?
选择
Option

H13

PE-A11
弯曲
Bend

对侧相同
Both sides
K20

对侧 L17
Opposite
L18

L19
对侧 L20
Opposite

《C-C》
对侧 《B-B》
Opposite

B25

K3

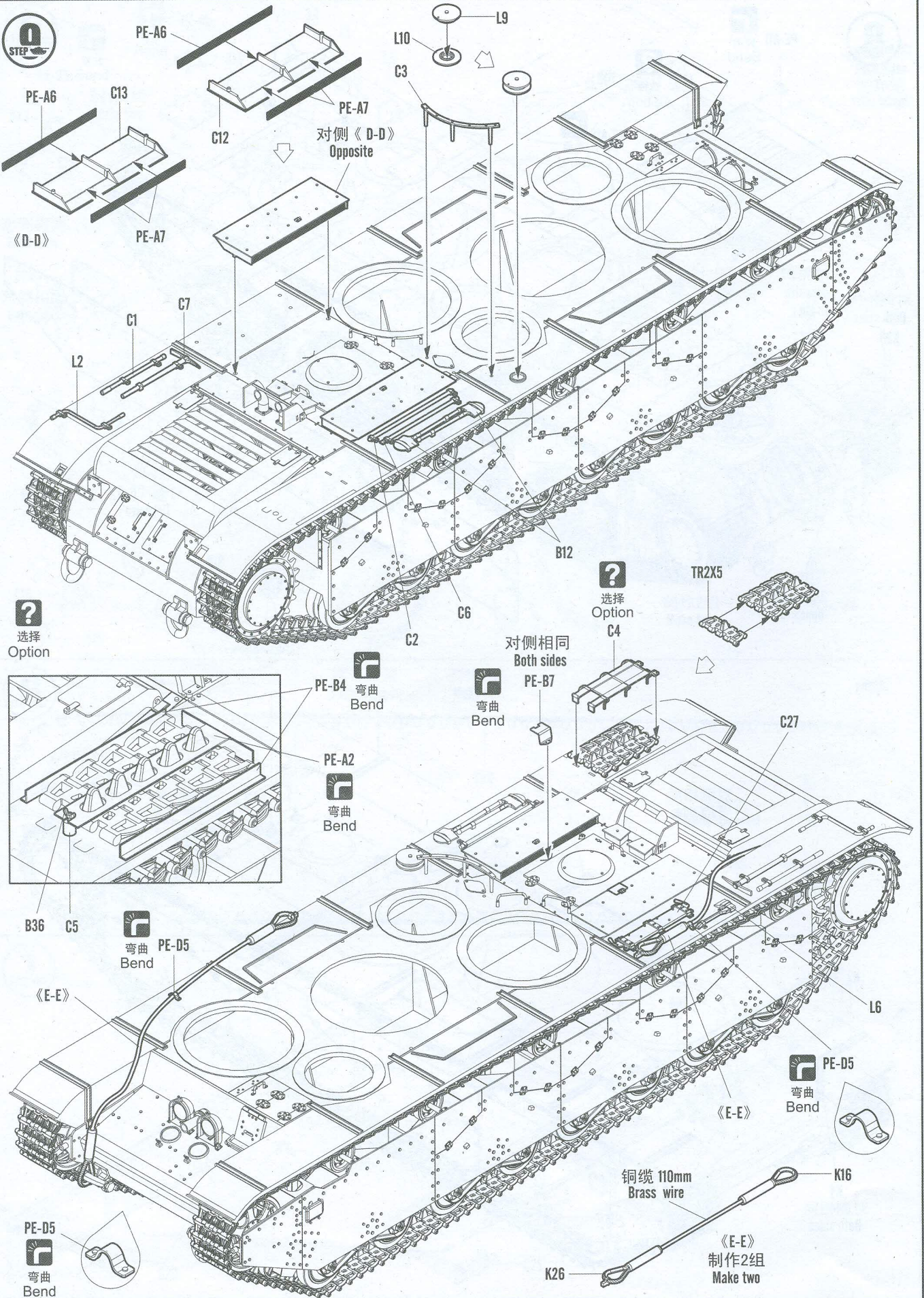
对侧相同
Both sides

K3

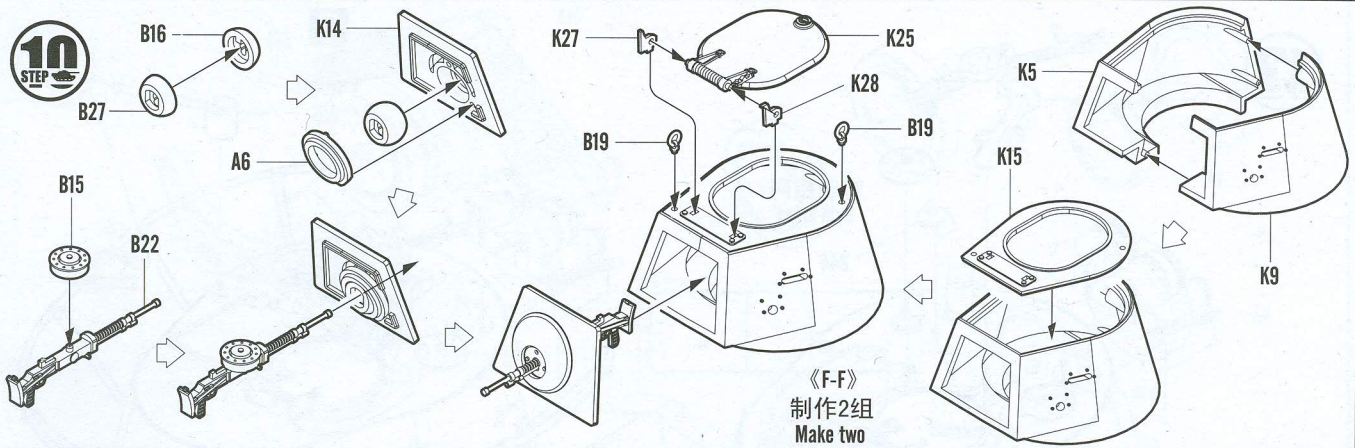
K3

K2

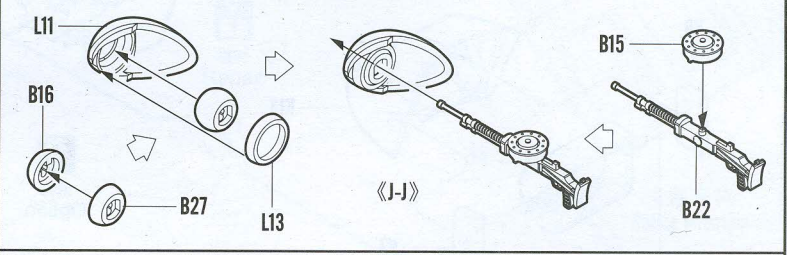
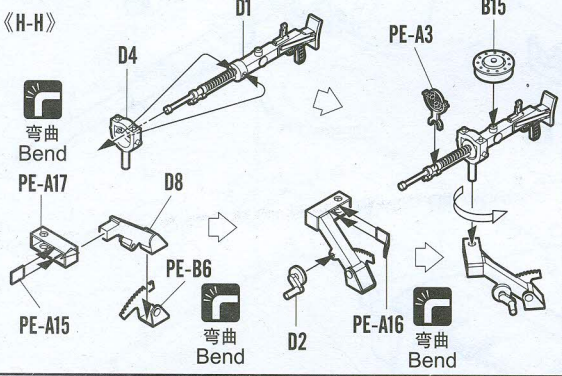
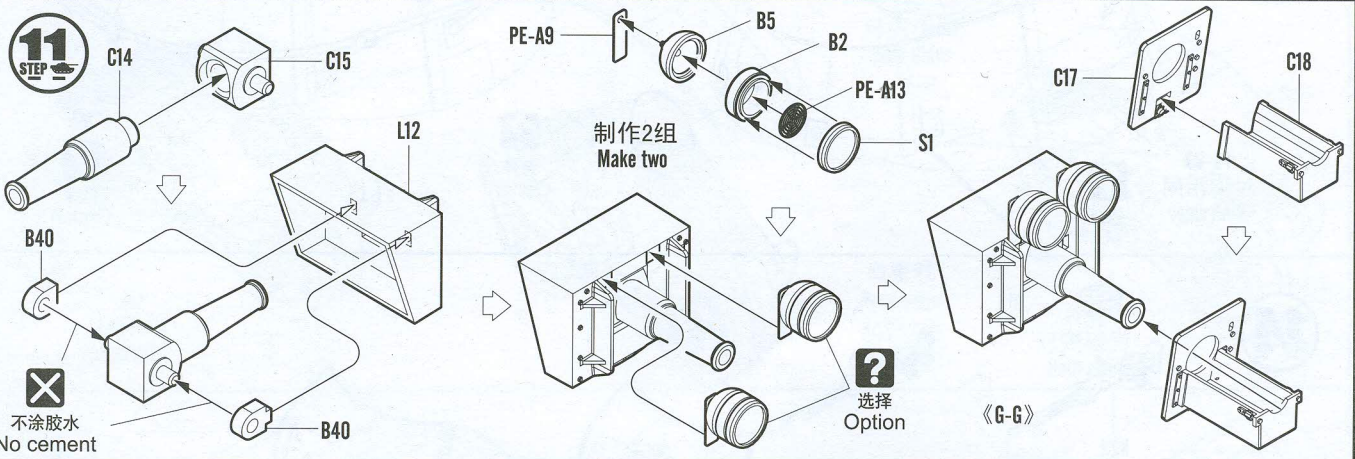
K4
对侧相同
Both sides



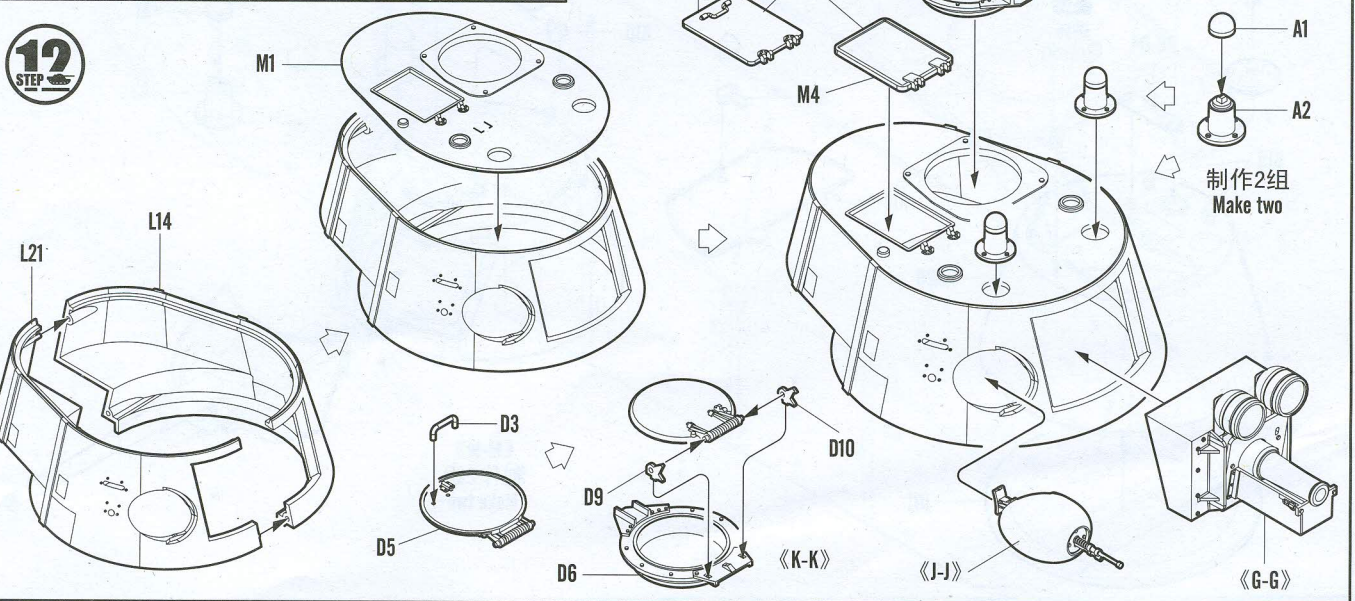
10
STEP



11
STEP

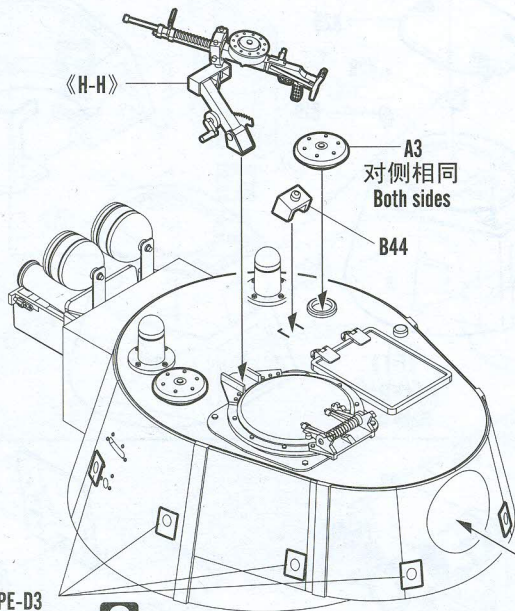


12
STEP



13
STEP

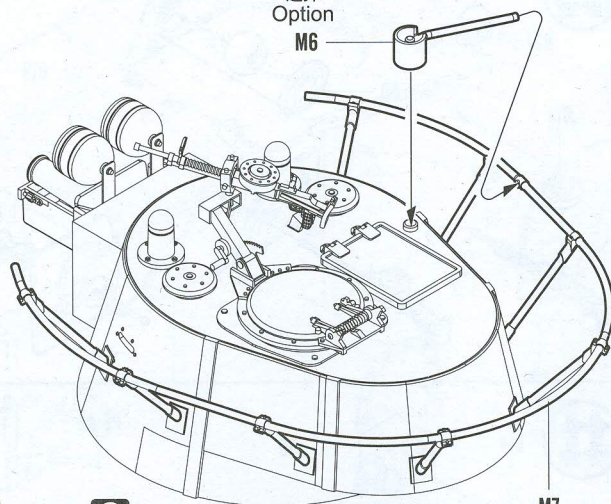
《H-H》



PE-D3
对侧相同
Both sides

?
选择
Option

?
选择
Option
M6

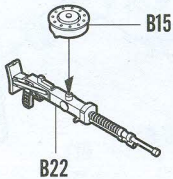


?
选择
Option
L23

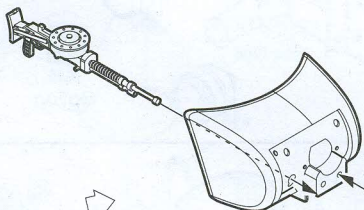
《L-L》

?
选择
Option
M7

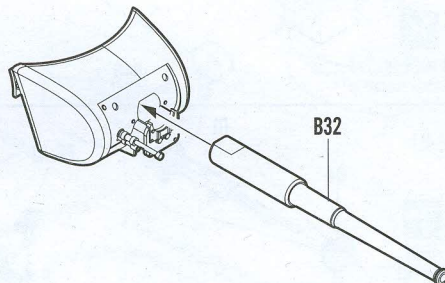
14
STEP



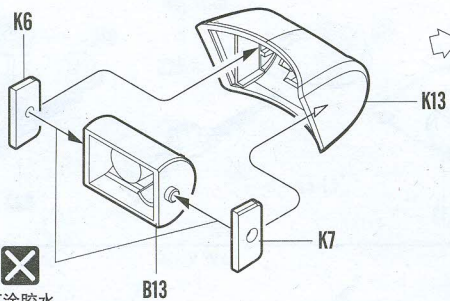
B22



?
选择
Option
B29



B32



K6

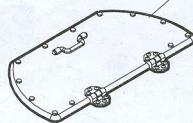
K13

K7

B13

?
选择
Option

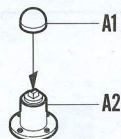
✗
不涂胶水
No cement



K10

K17

K12



A1

A2

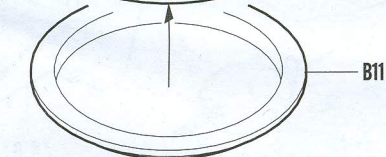
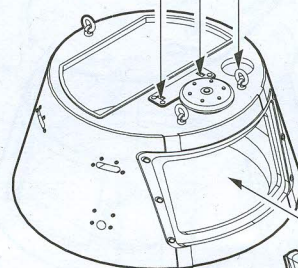
A3
PE-D4
? 选择
Option

B19

B19

B21

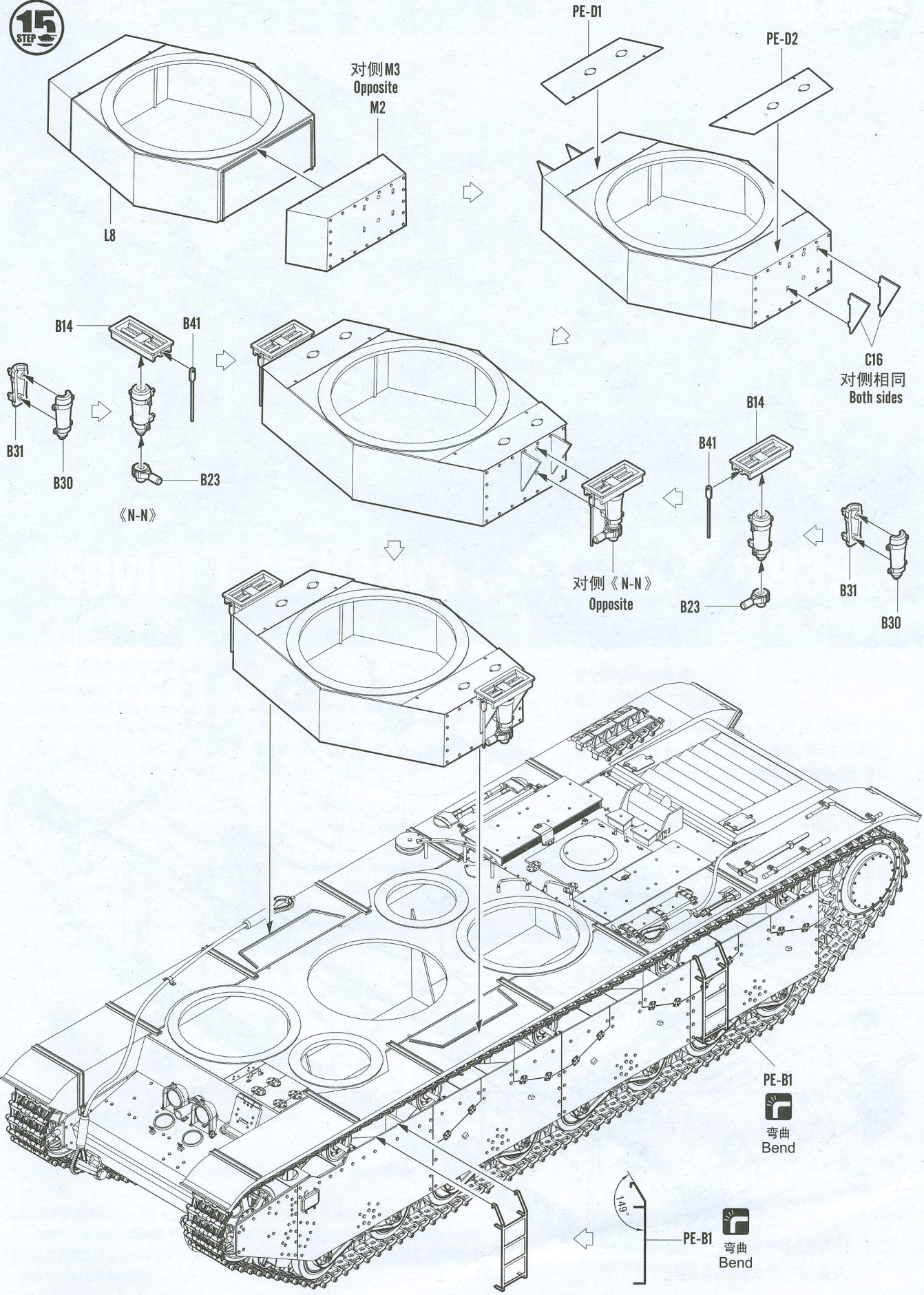
K18

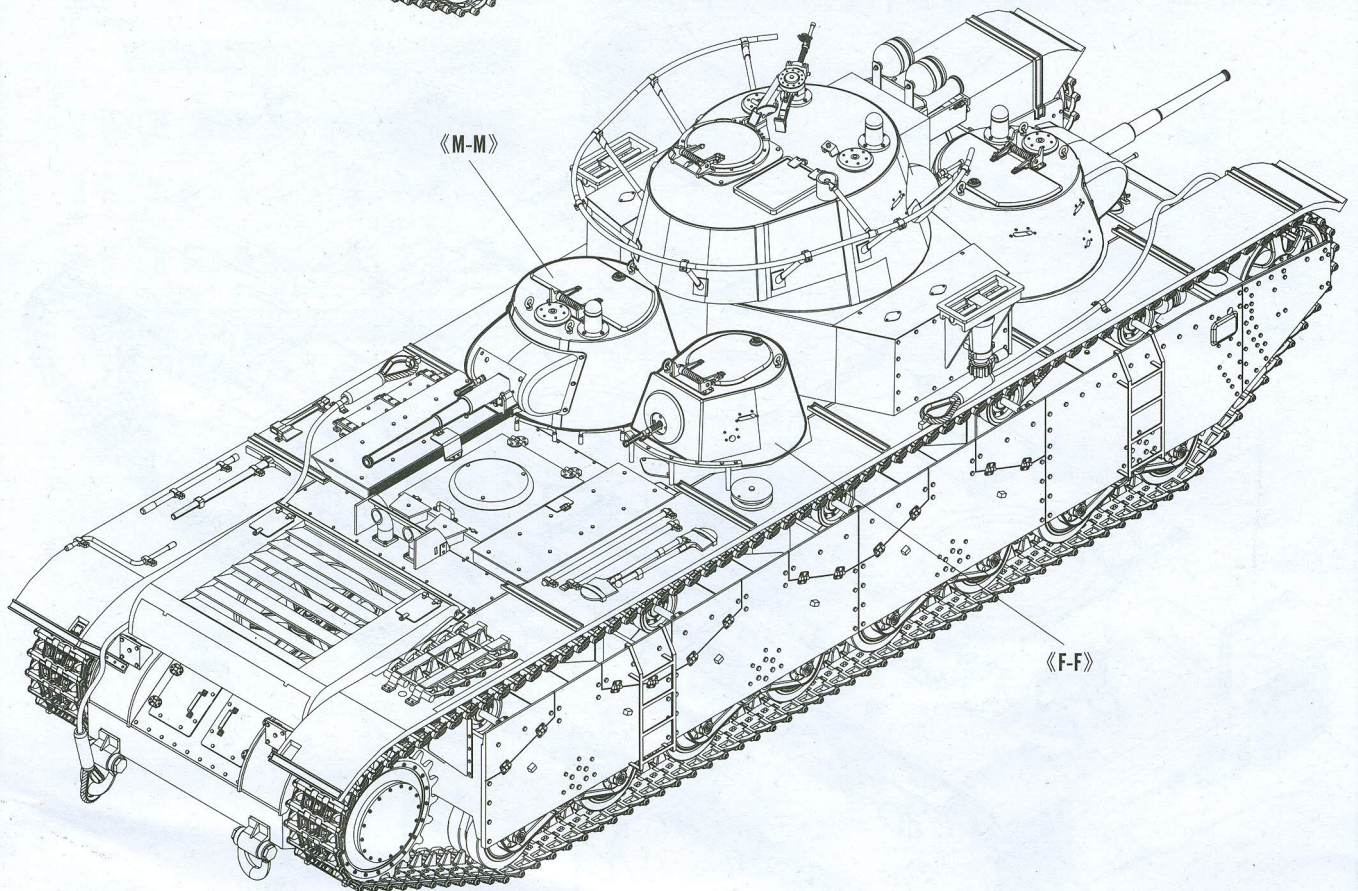
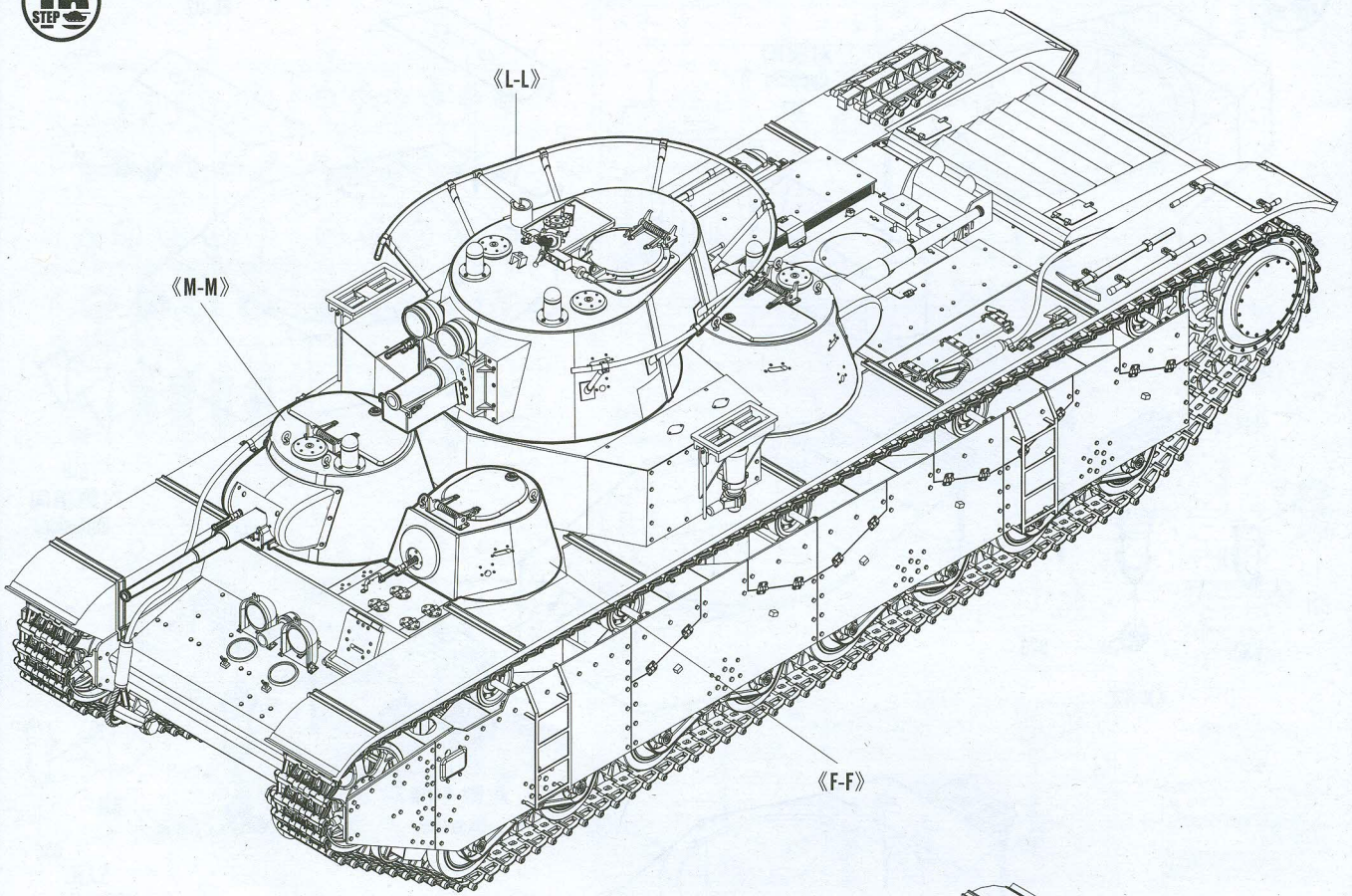


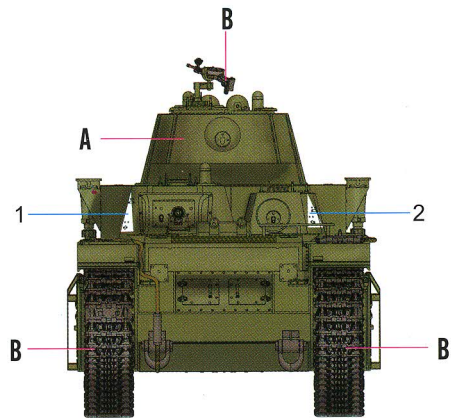
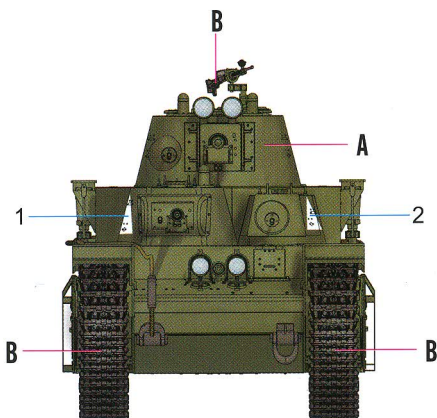
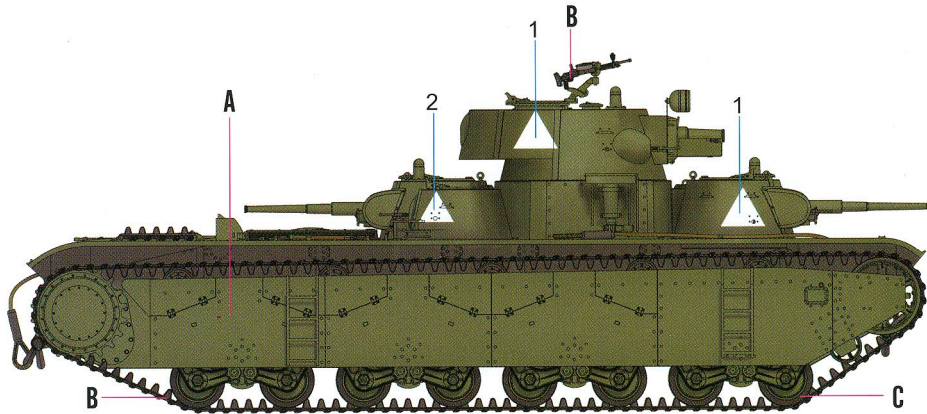
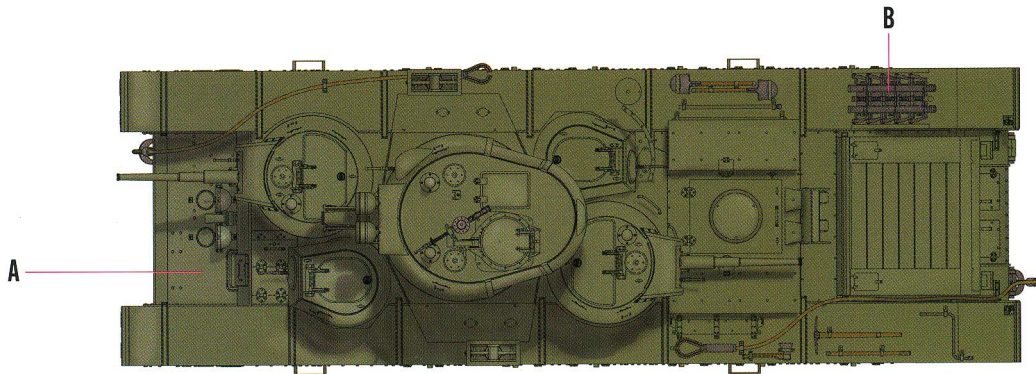
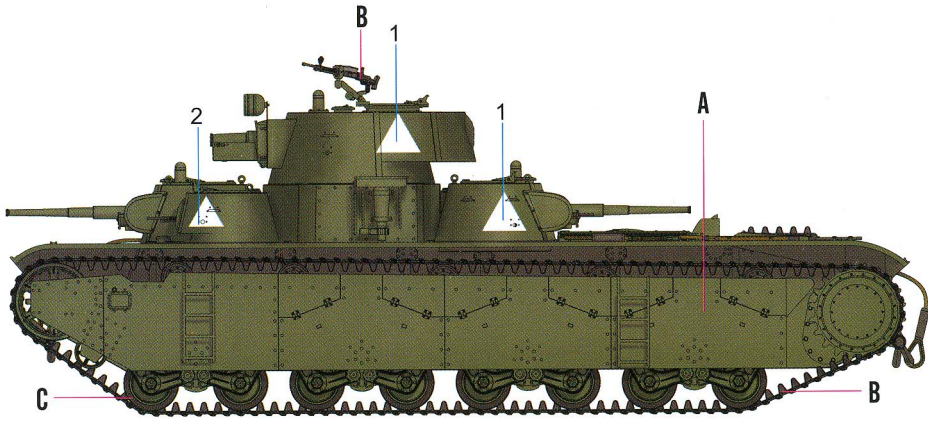
B11

《M-M》
制作2组
Make two

15
STEP







	Color	Mr.Hobby	Vallejo	Model Master	Tamiya	Humbrol
A	苏式绿 Russian Green	H 136	--	--	--	--
B	黑铁色 Steel	H 18 28	864	1402	--	--
C	胎黑色 Tire Black	H 77 137	--	--	--	--