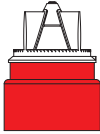
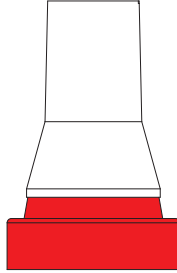


CUT

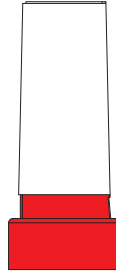
USE A SAW TO REMOVE SUPPORTS
FROM 3D PRINTED PARTS



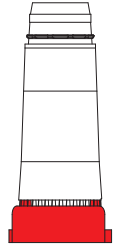
R1



R2

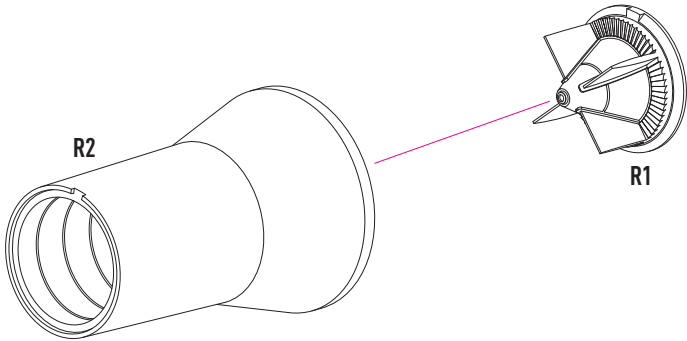


R3

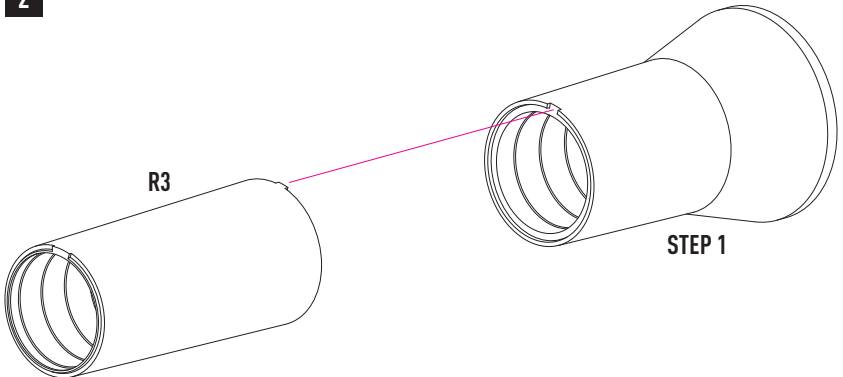


R4

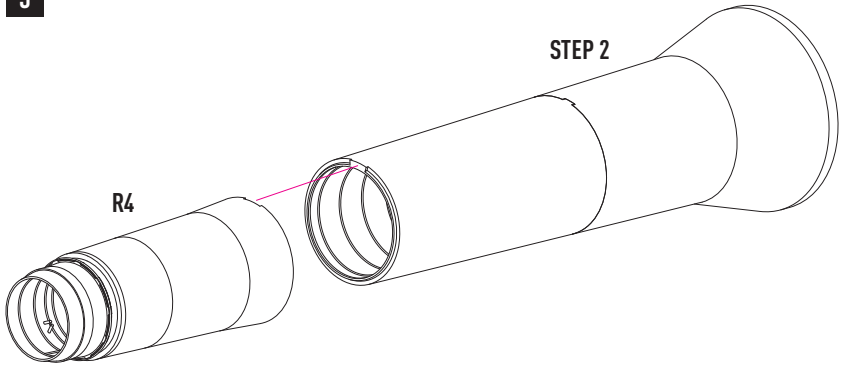
1



2



3



4

**PART 92 FROM REVELL KIT,
SAME FOR PART 93**

