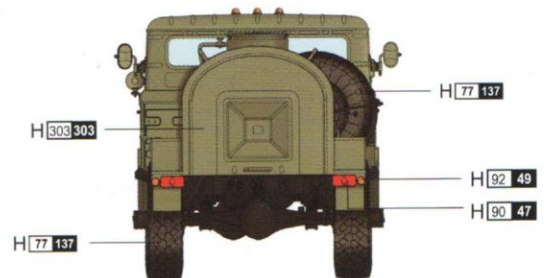
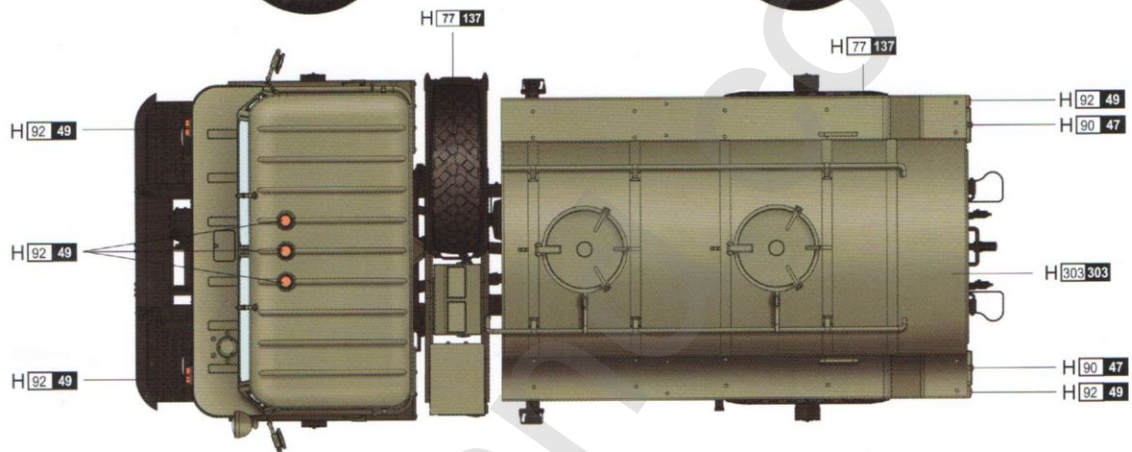
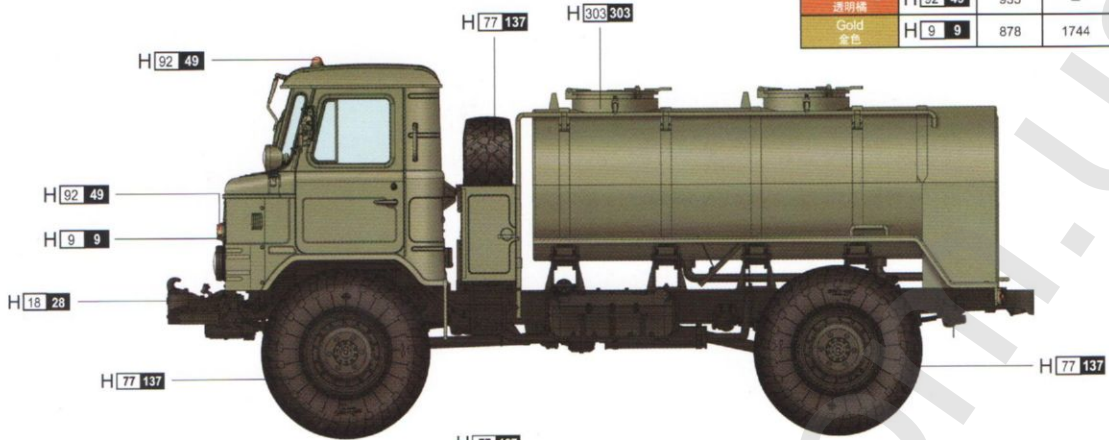


# 涂装同标贴指示

## Painting & Marking guide

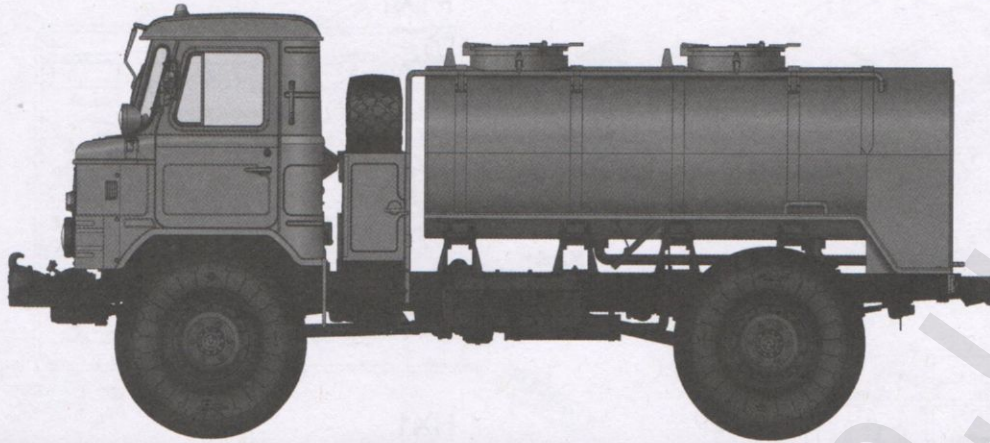
### PAINT REFERENCE COLOUR

Color	Mr.Hobby	Vallejo	Model Master	Tamiya	Humbrol
Tire Black 胎黑色	H 77 137	-	-	-	-
Light Green 绿色	H 303 303	-	1713	XF20	117
Steel 灰铁色	H 18 28	864	1402	-	-
Clear Red 透明红	H 90 47	934	-	X27	-
Clear Orange 透明橘	H 92 49	935	-	X26	-
Gold 金色	H 9 9	878	1744	X12	16



H [X] AQUEOUS HOBBY COLOUR

X MR COLOUR



# Russian GAZ-66 Oil Tanker

## 俄罗斯“嘎斯”66油罐车

### READ BEFORE ASSEMBLY:

- Study and understand these instructions thoroughly before beginning assembly
- When needed, remove photo-etch parts carefully using a modeling knife or photo etch sprue cutter, being careful not to damage or lose small parts.
- Take extra care in handling photo etch parts in order to avoid injury
- Apply instant cement sparingly to photo etch parts where instructed
- Tools recommended(not included in kit):Plastic and instant cements, sprue cutters,long nose pliers,modeling knife, small files, tweezers, pin vise & scissors. Soft cloth and sandpaper will also assist in construction
- Glue and paint are not included in the kit. Use plastic cement and hobby paints only. Color guide for purchasing paint is included in the kit.

### 装配之前仔细阅读

- 小心用模型锉刀锉平所有零件表面的注射浇口。
- 小心用刀片切下蚀刻片零件，不要遗失小零件。
- 用强力快干胶水粘合蚀刻片零件和金属轴。过量快干胶水使用可能导致可动零件会粘住，小心涂胶。
- 取蚀刻片时应特别注意安全，防止利边划伤手指。
- 某些零件表面需贴水贴纸，请选择在装配的同时进行。
- 推荐模型工具(自备)：胶水，水口剪刀，长咀钳，刀片，锉刀，镊子，钳，钻，剪刀，瞬间快干胶。
- 软布同砂纸同时也应该是必备工具。
- 请使用塑料胶水和油漆，模型内不含。



配重  
Weight



使用强力胶  
Cyanoacrylate glue



钻孔  
Make hole



切除  
Cut / Remove



贴纸  
Decal



锉平  
File / Sand



选择  
Option



不涂胶水  
No cement



弯曲  
Bend

### 水贴纸的使用:

- 1.从水贴纸上剪下印花;
- 2.将印花放入温水中浸10秒,然后放在干净布上。
- 3.拿着印花纸板将印花移到模型上;
- 4.手指蘸水将印花移到适当的位置;
- 5.用软布轻压印花直至水干,汽泡消失

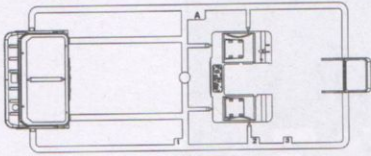
### DECAL APPLICATION

- 1.Cut decals from sheet as needed
- 2.Dip the decal in warm water for about 10 seconds and then place on soft clean cloth.
- 3.Hold the decal backing sheet edge and gently slide the decal onto the model in its proper position.

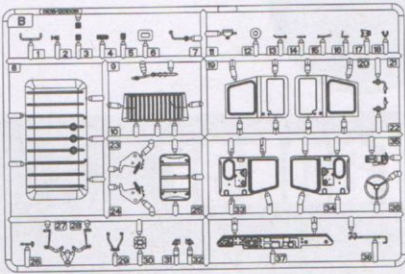
- 4.While still wet,decal can be adjusted for better fit on model by dampening it gently with your finger.
- 5.When placed in the proper position gently press decal down with a soft cloth until excess water and air bubbles are gone.
- 6.Allow decal to dry completely before handling model

部品图  
Parts

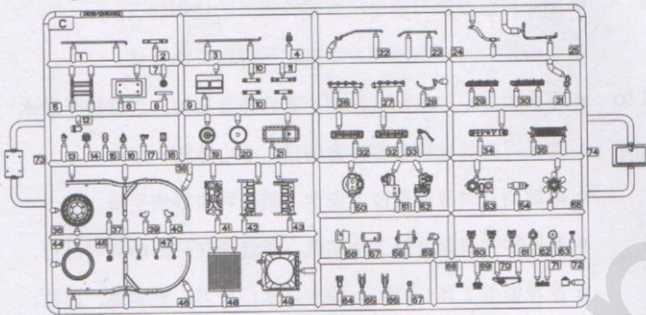
AX1



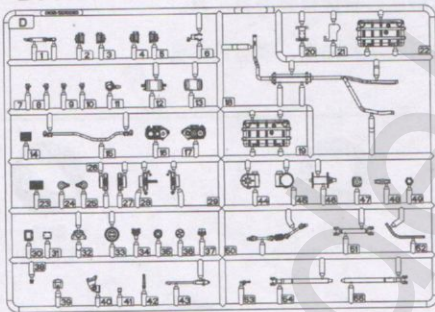
BX1



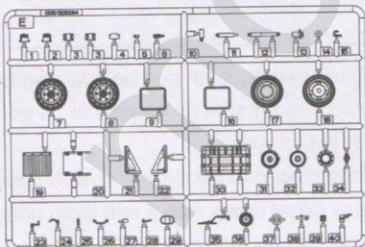
CX1



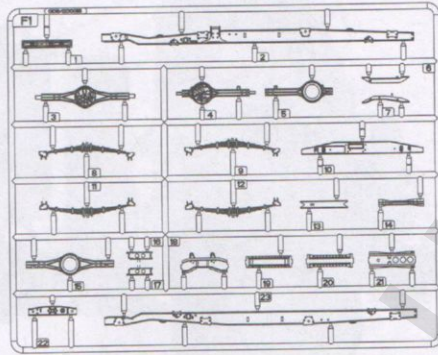
DX1



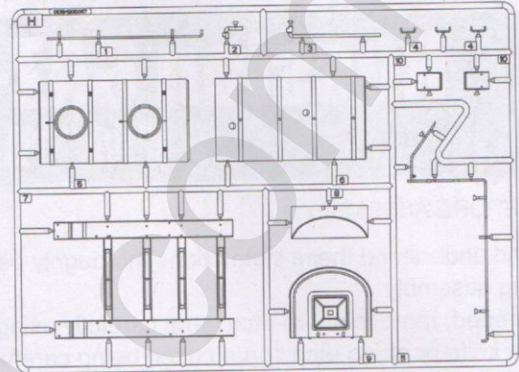
EX2



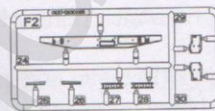
F1X1



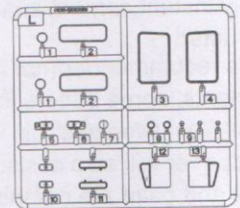
HX1



F2X1



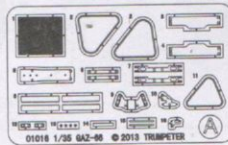
LX1



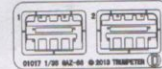
《轮胎》X5  
Tyre



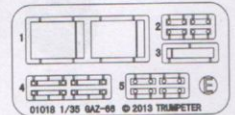
《蚀刻片A》  
PE-A



《蚀刻片D》  
PE-D



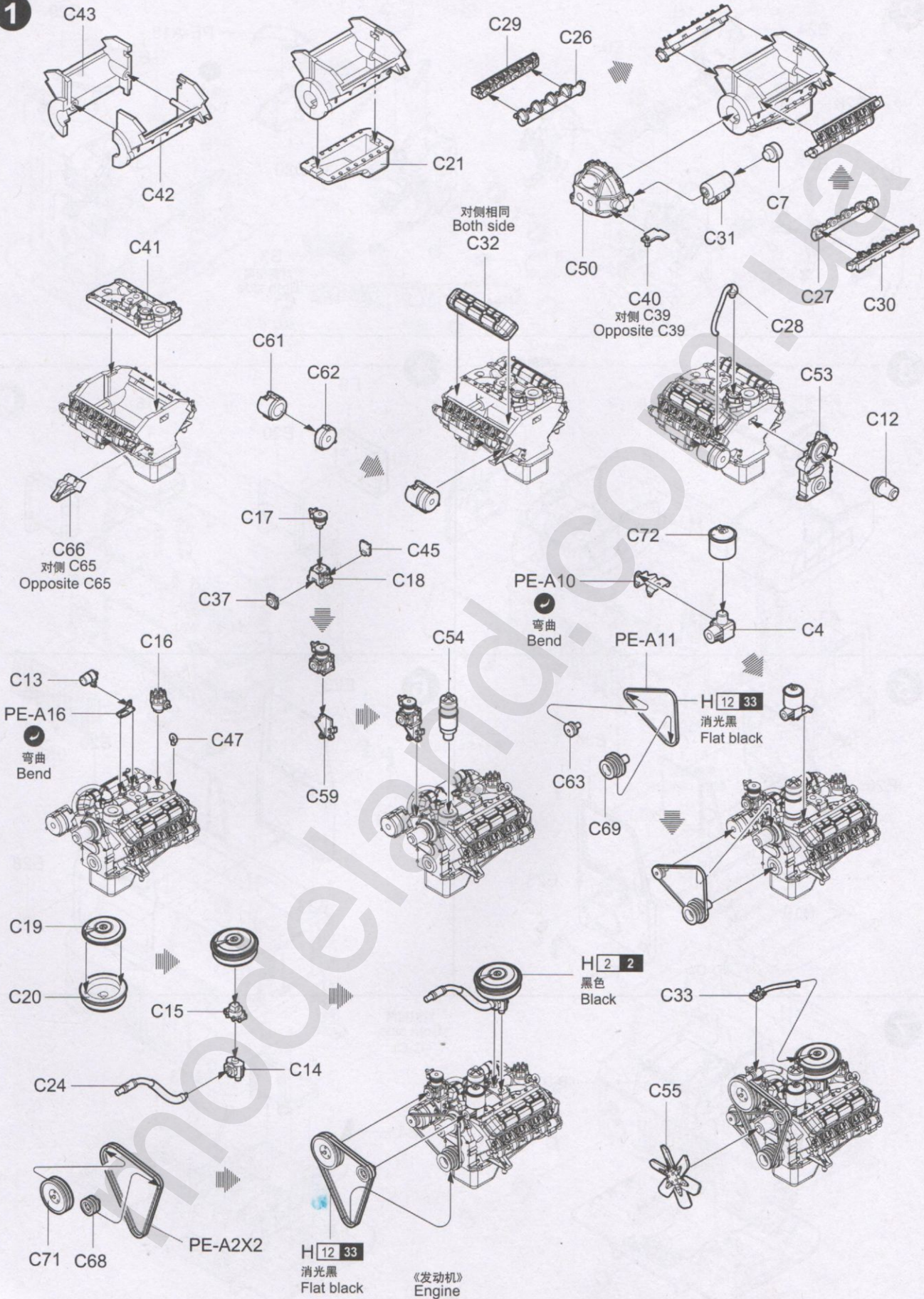
《蚀刻片E》  
PE-E



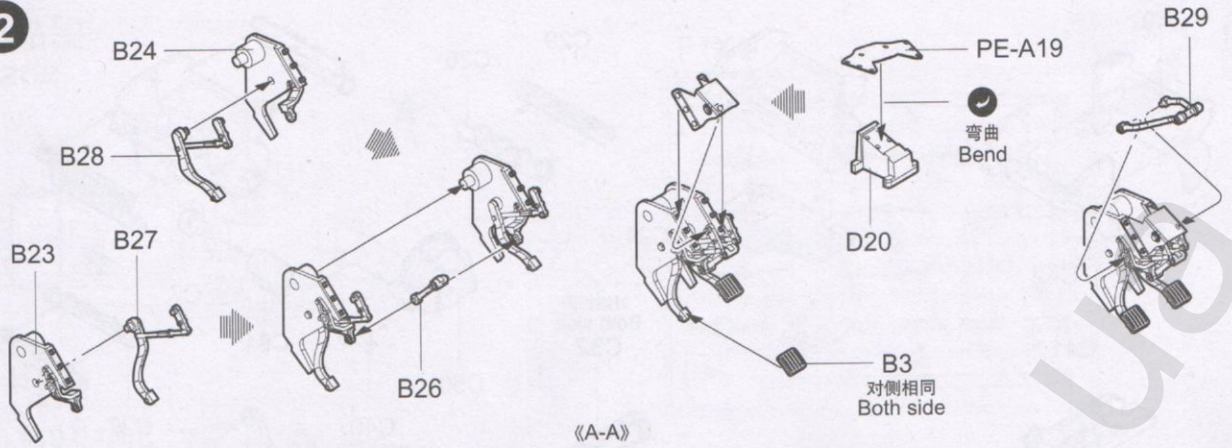
《水贴》  
Decal



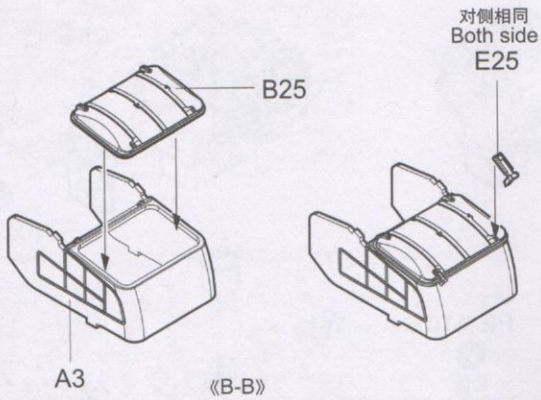
1



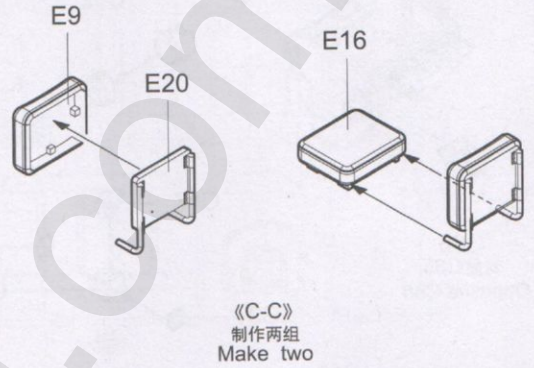
2



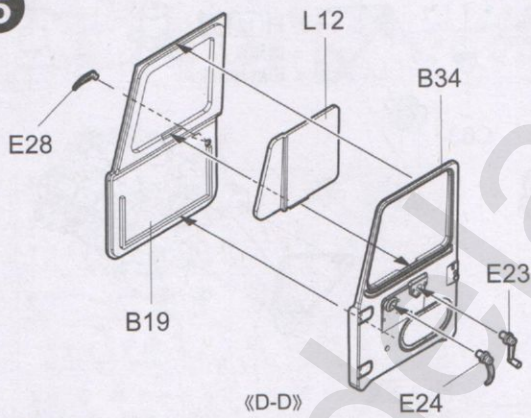
3



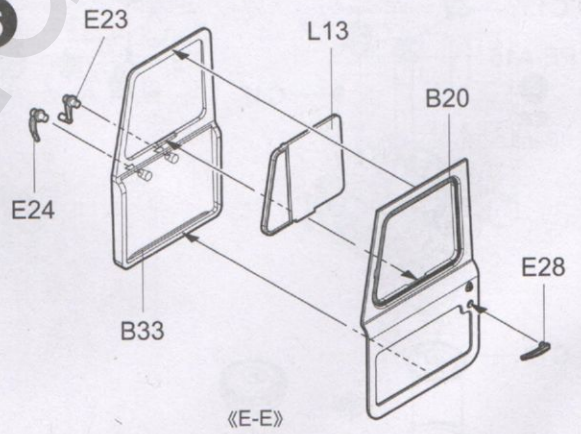
4



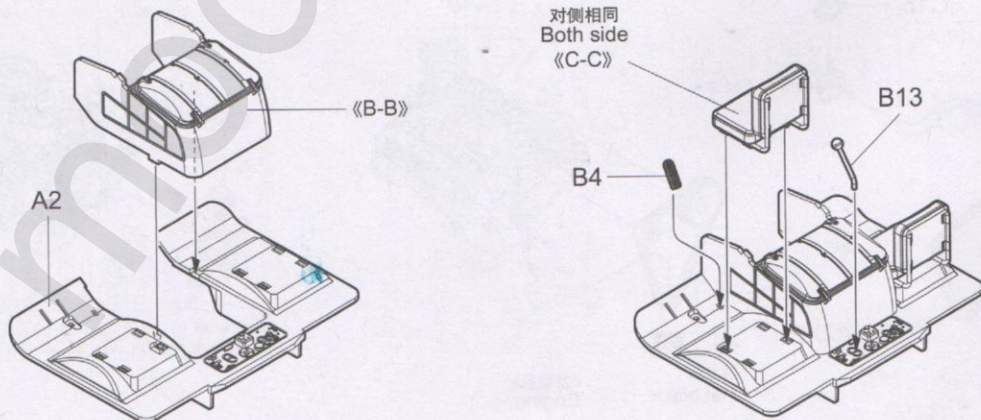
5



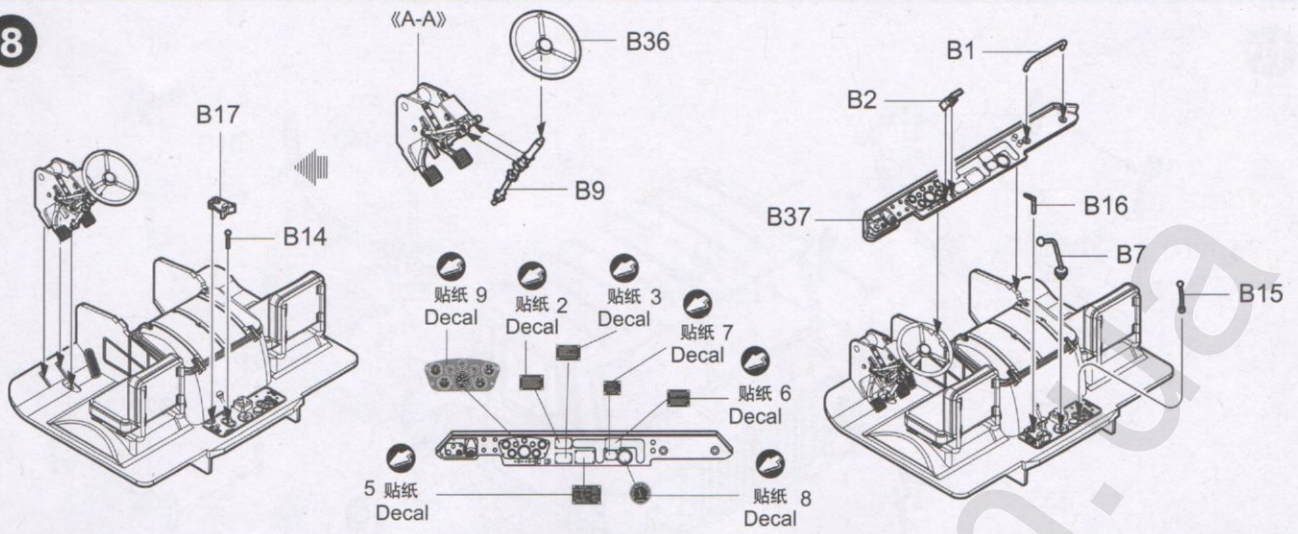
6



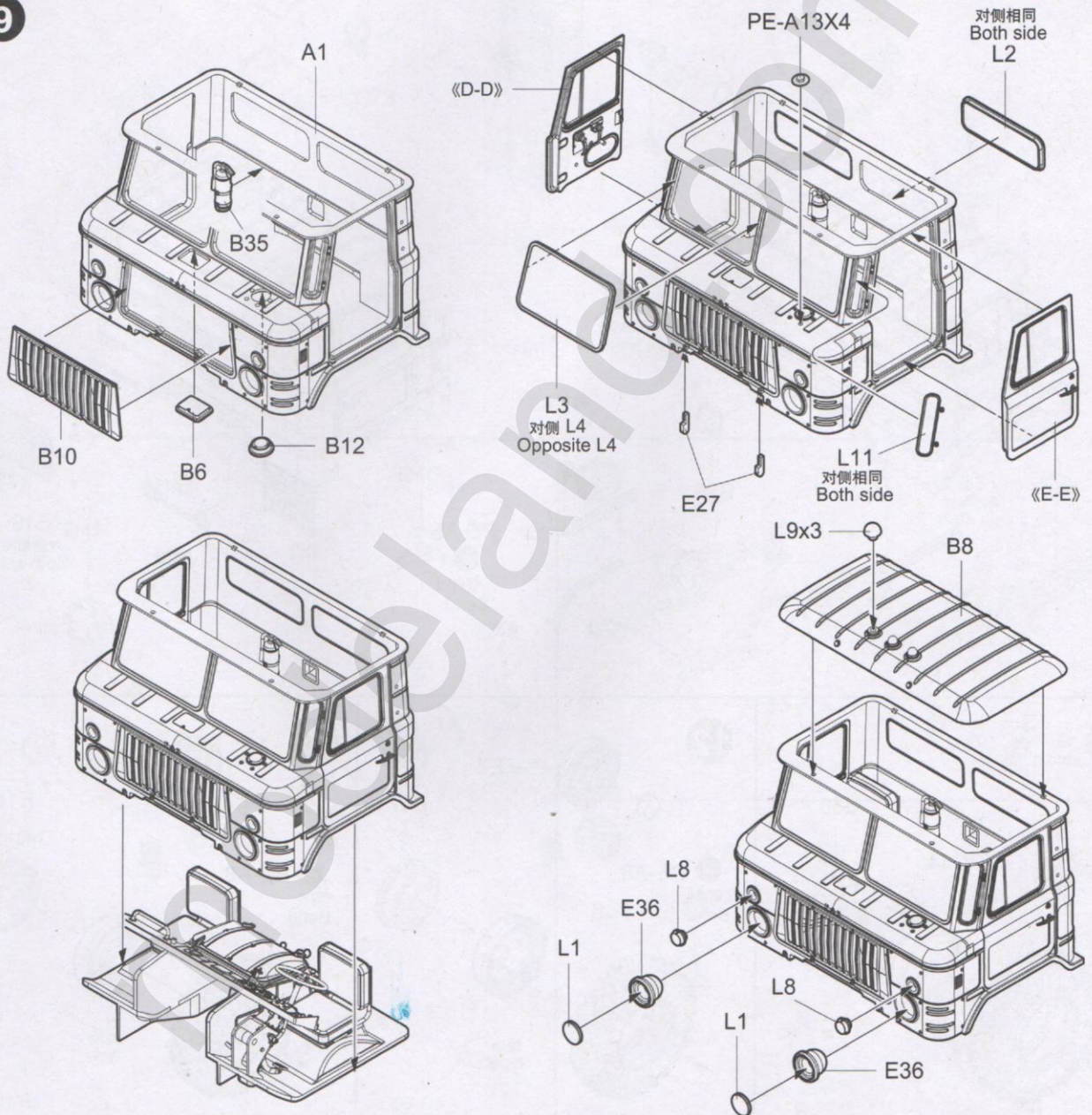
7



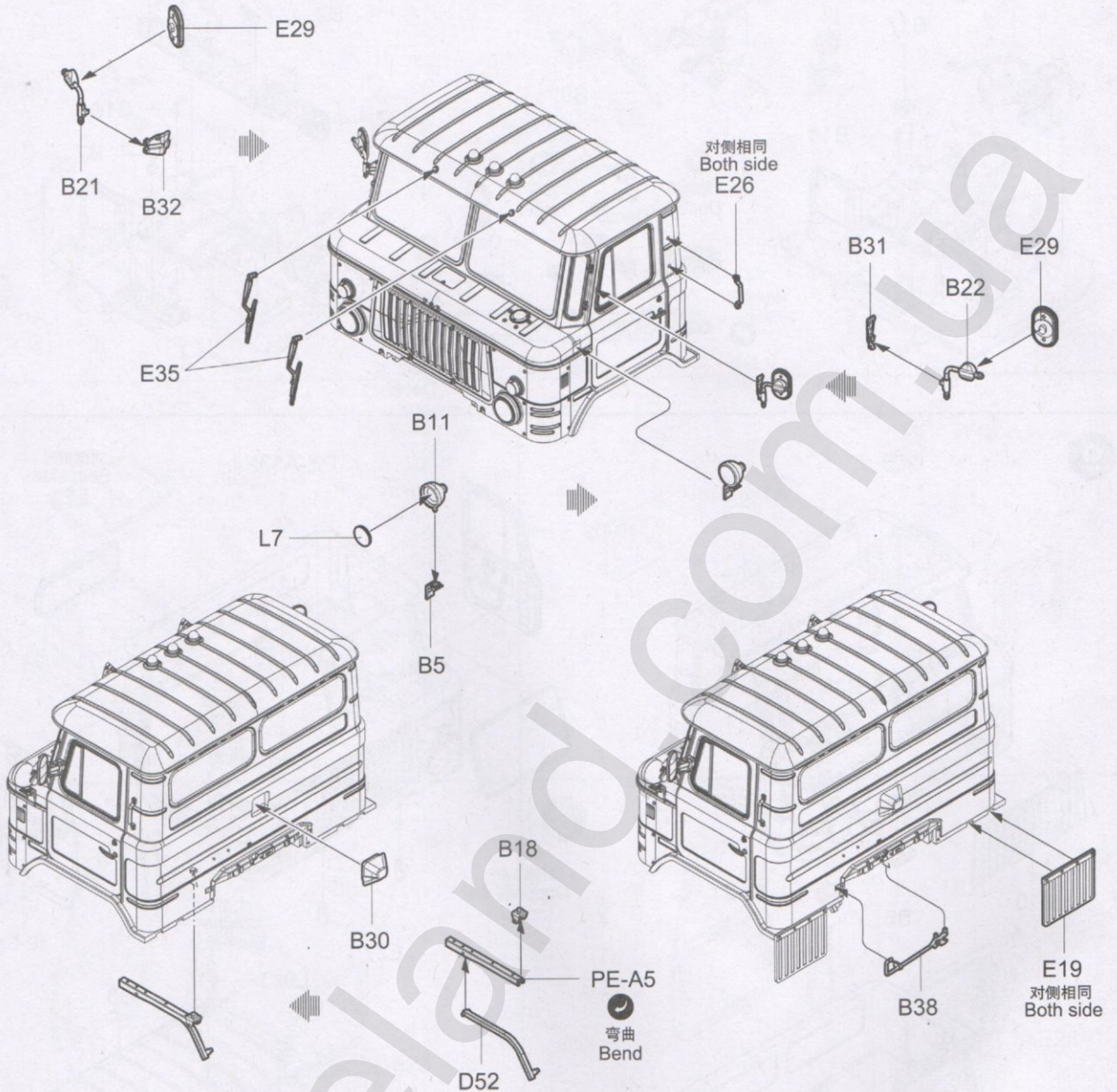
8



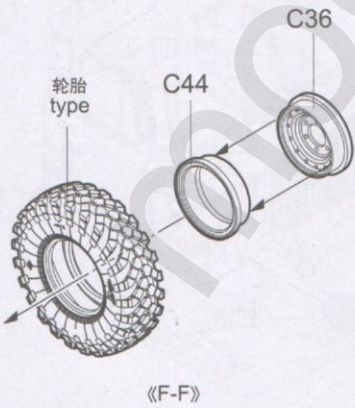
9



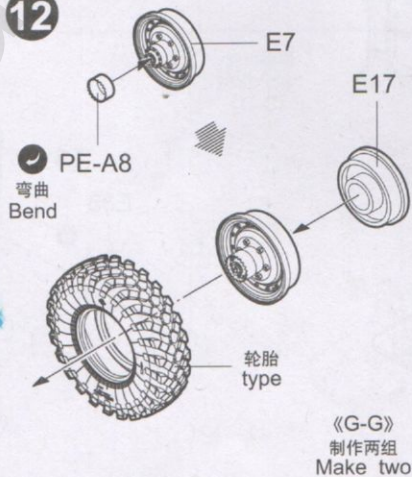
10



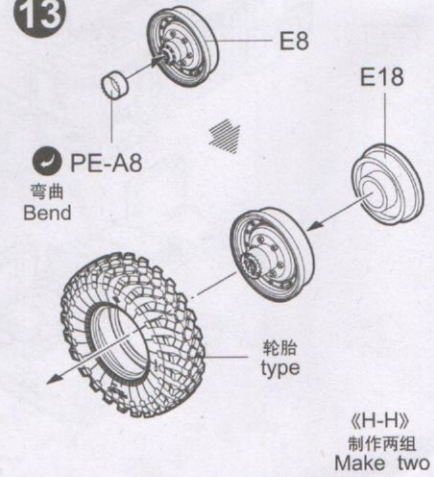
11



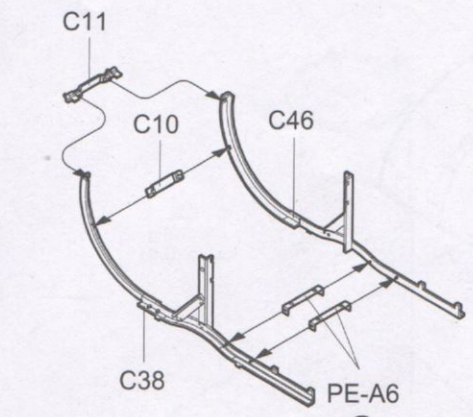
12



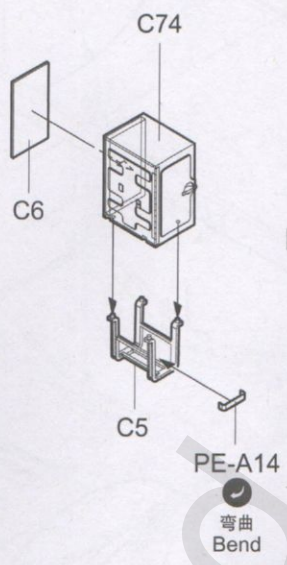
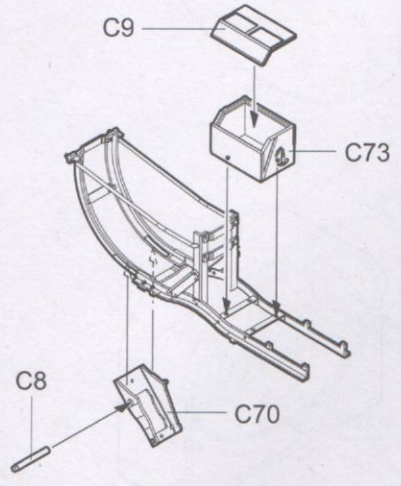
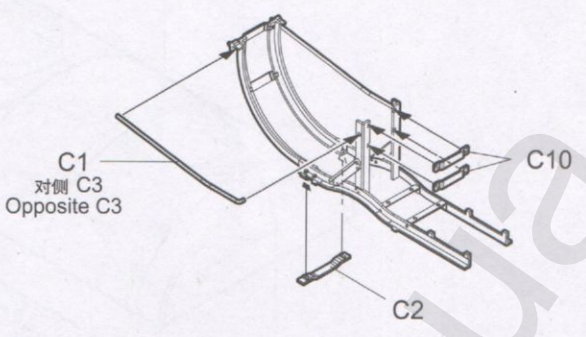
13



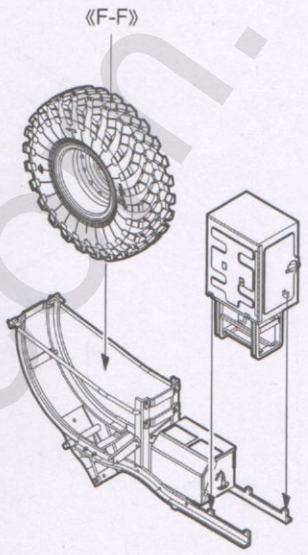
14



弯曲  
Bend

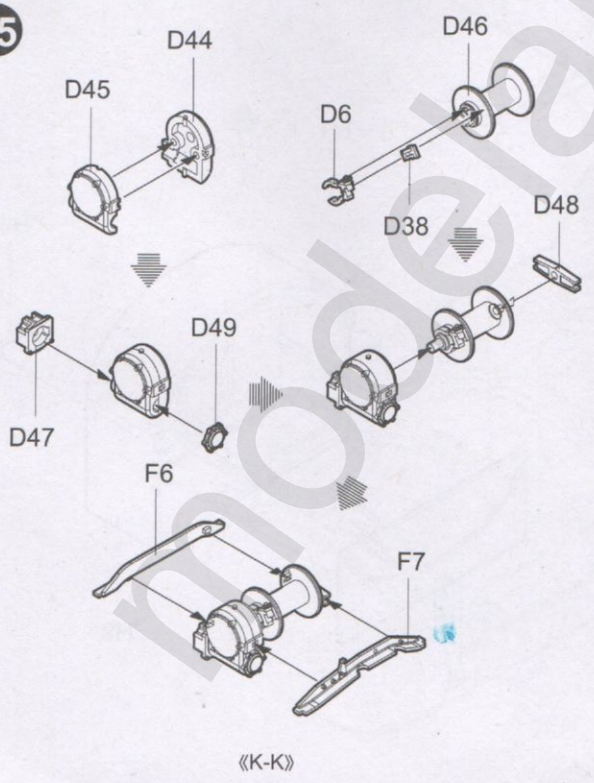


弯曲  
Bend



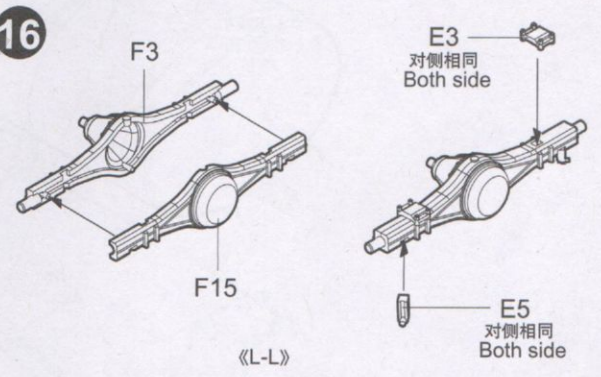
«J-J»

15



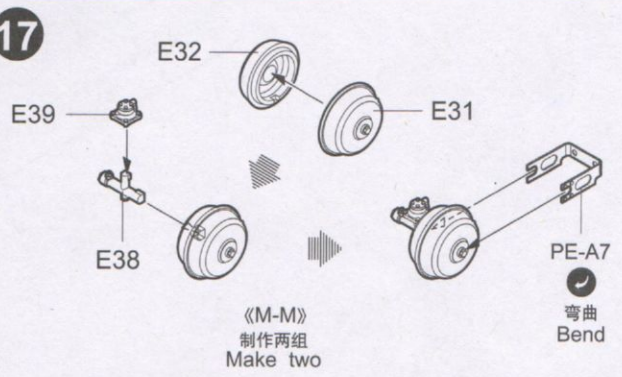
«K-K»

16



«L-L»

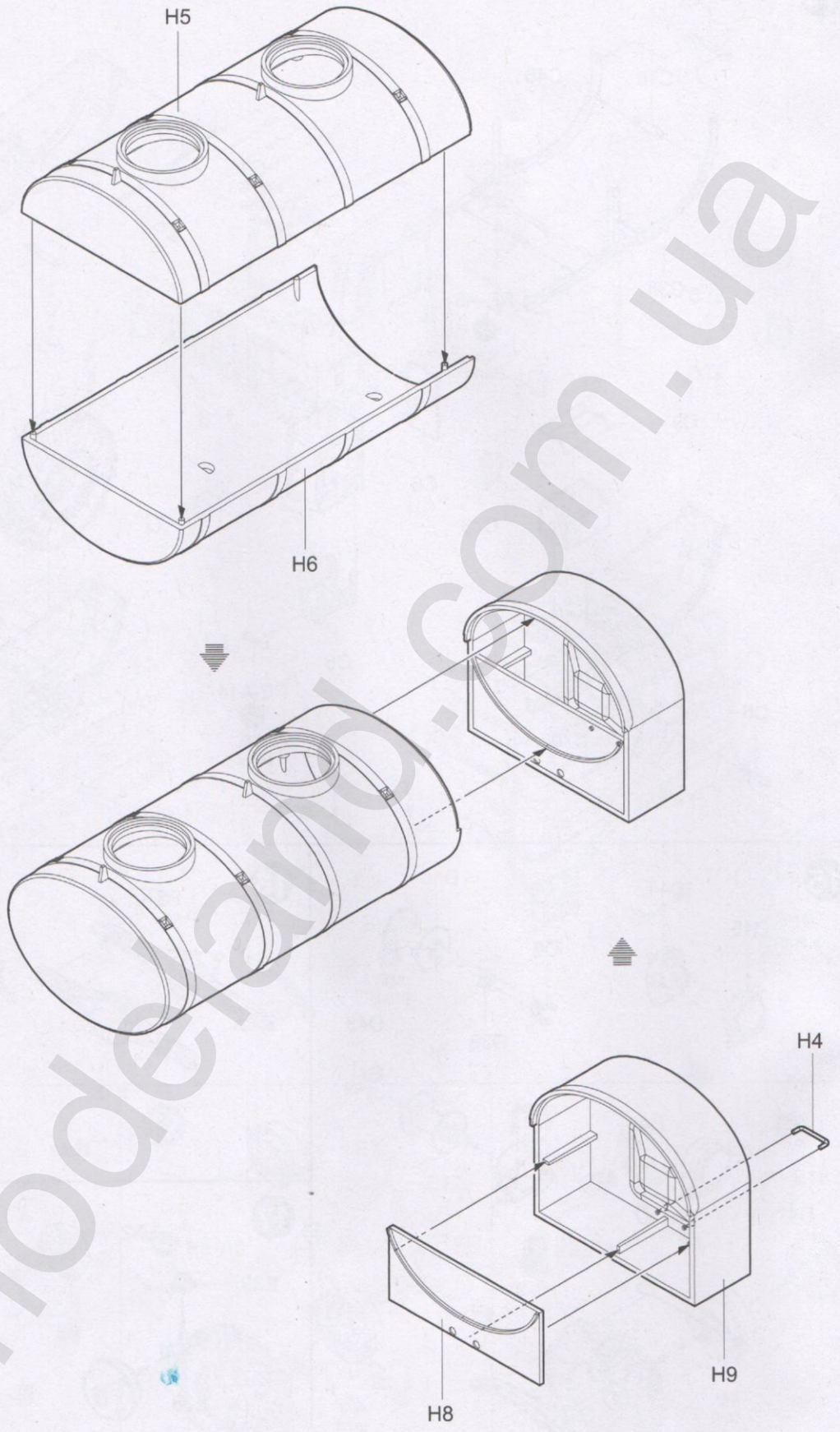
17

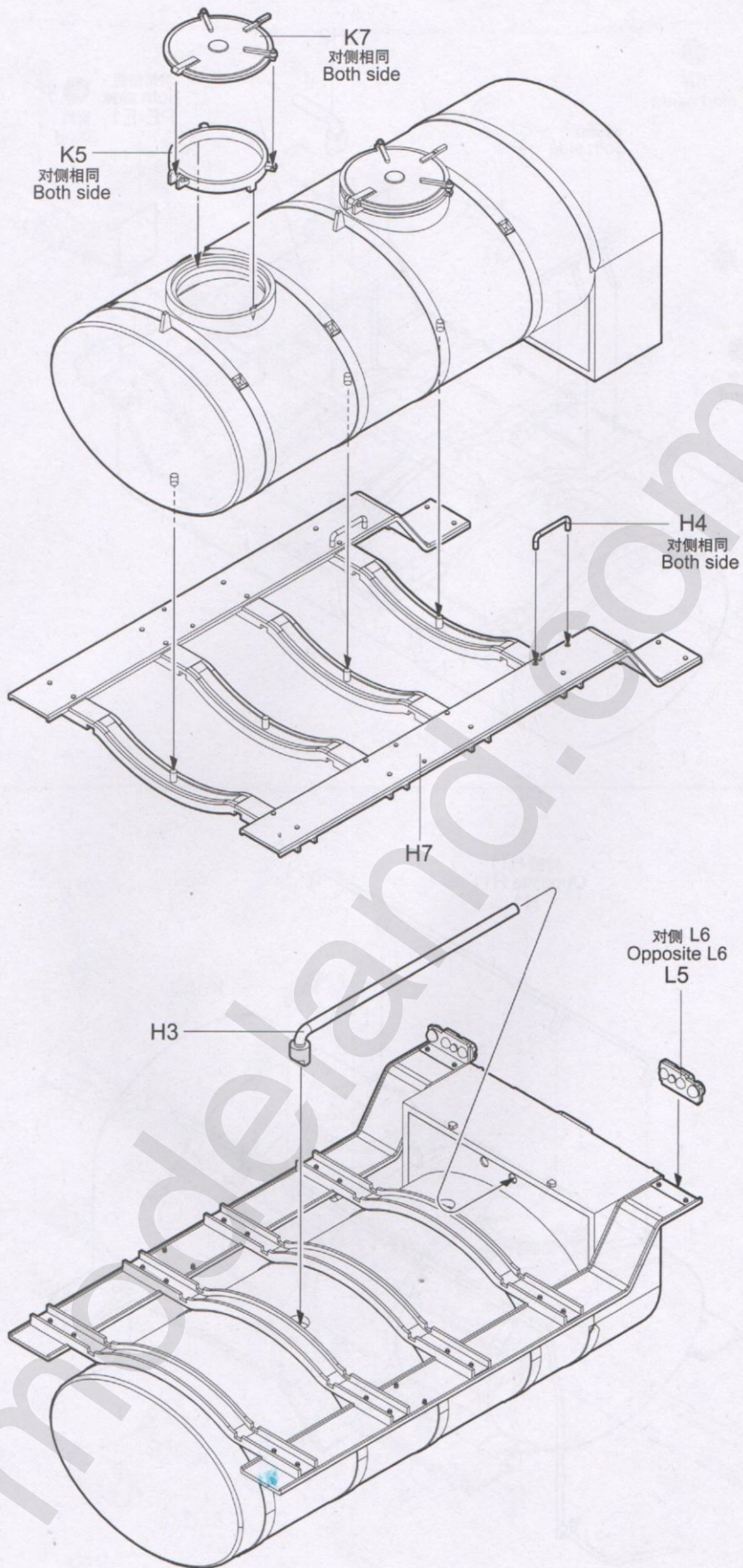


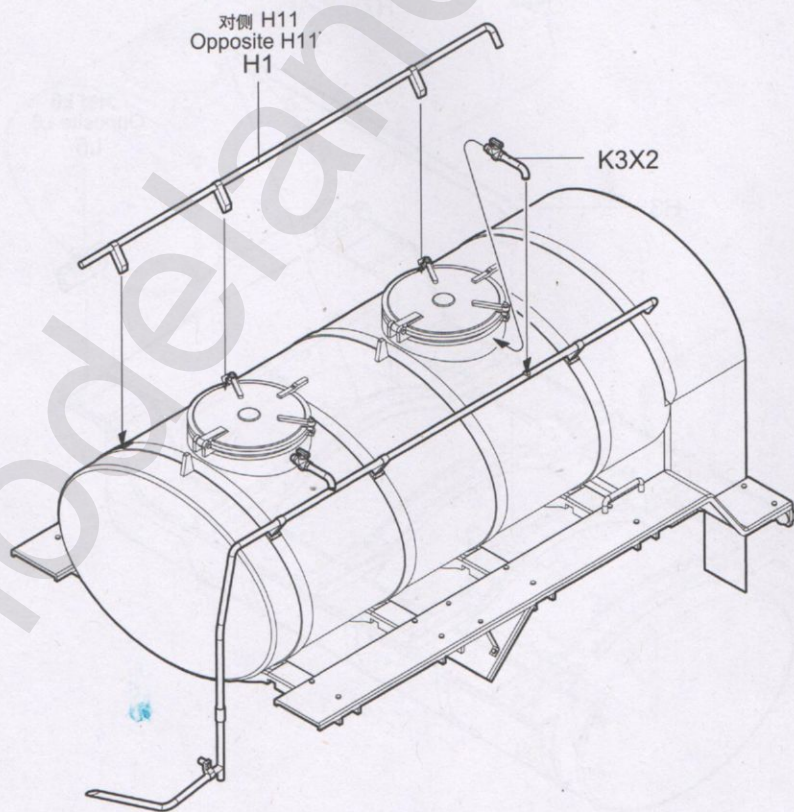
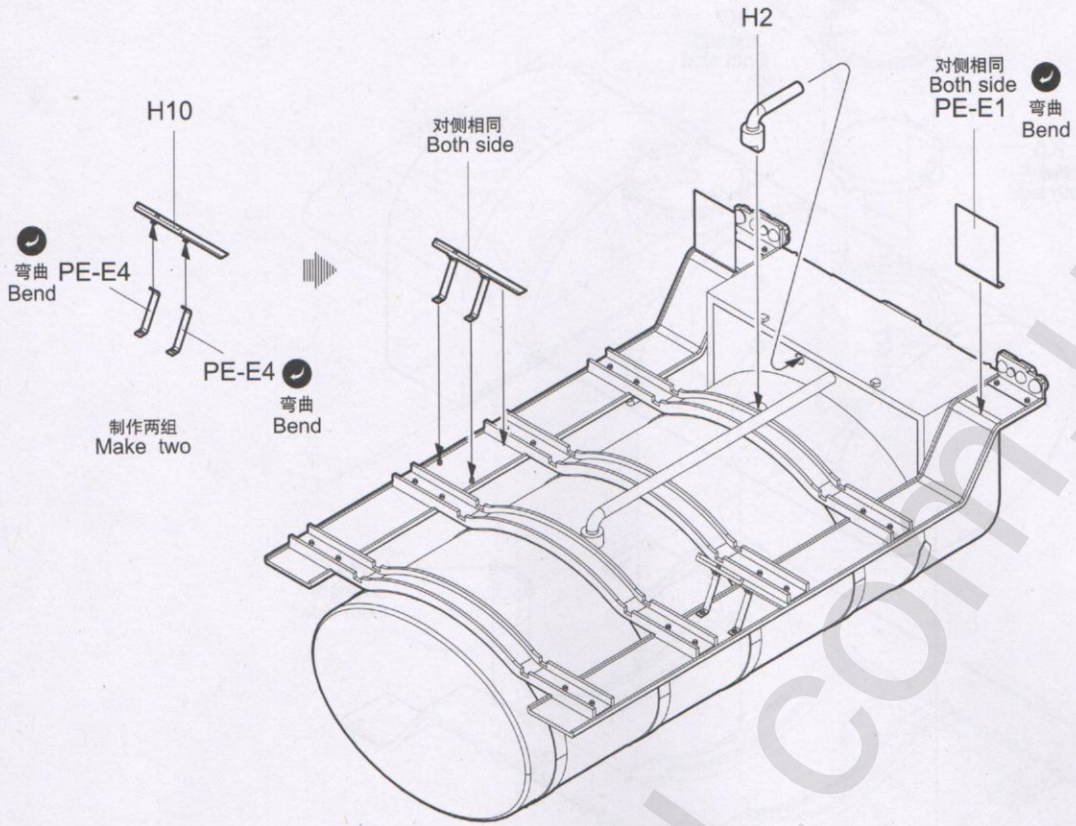
«M-M»  
制作两组  
Make two

弯曲  
Bend

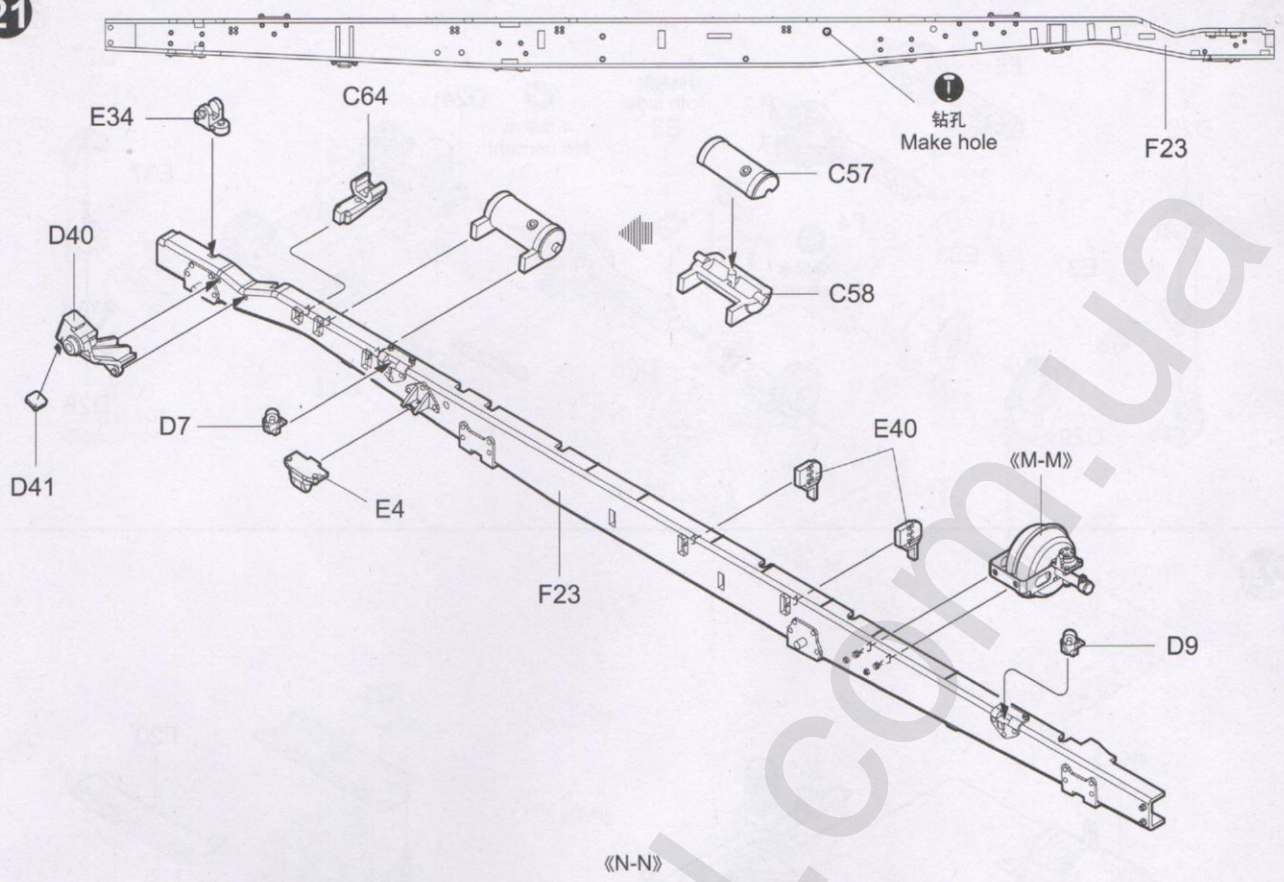




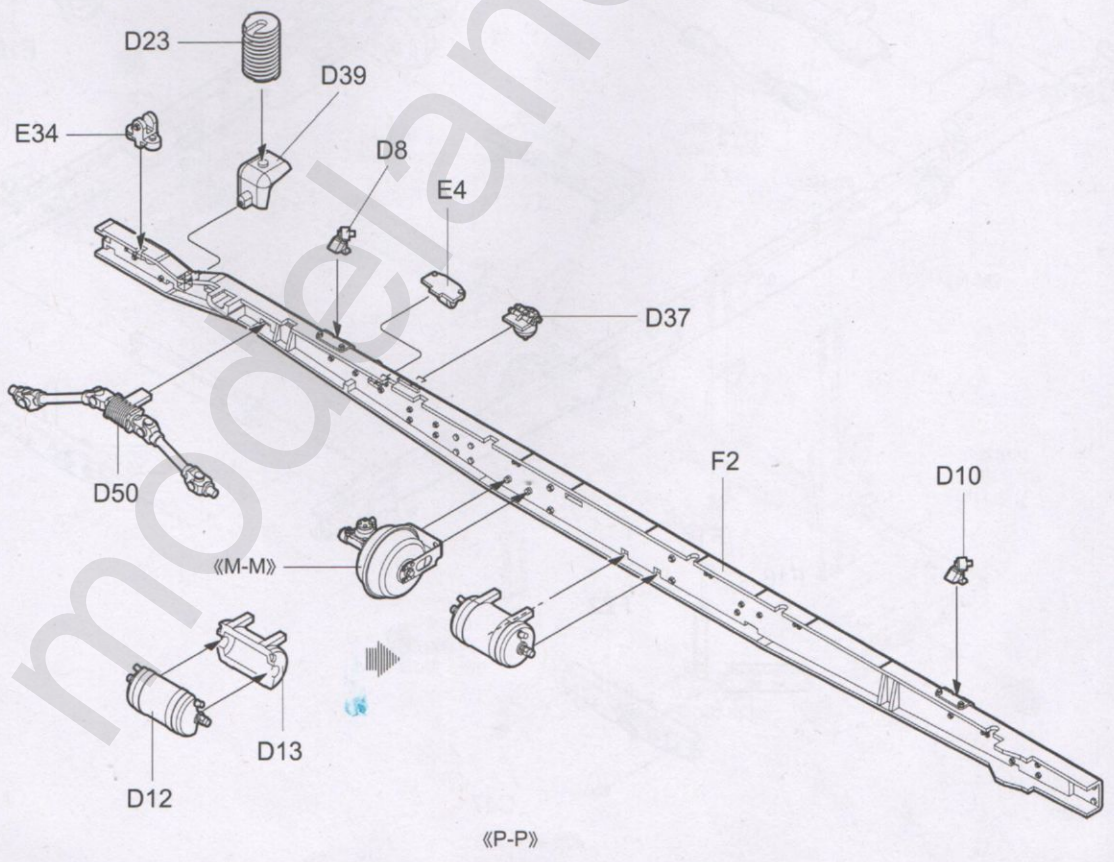




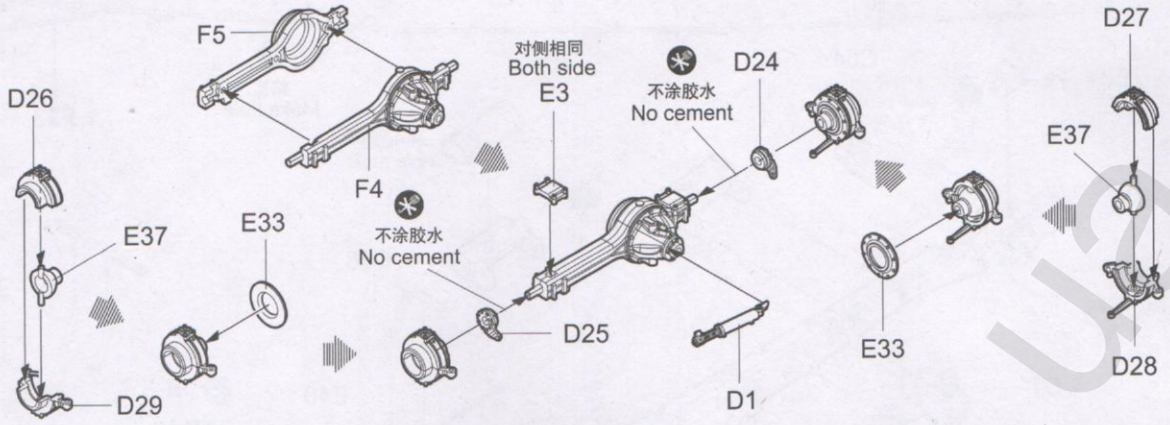
21



22

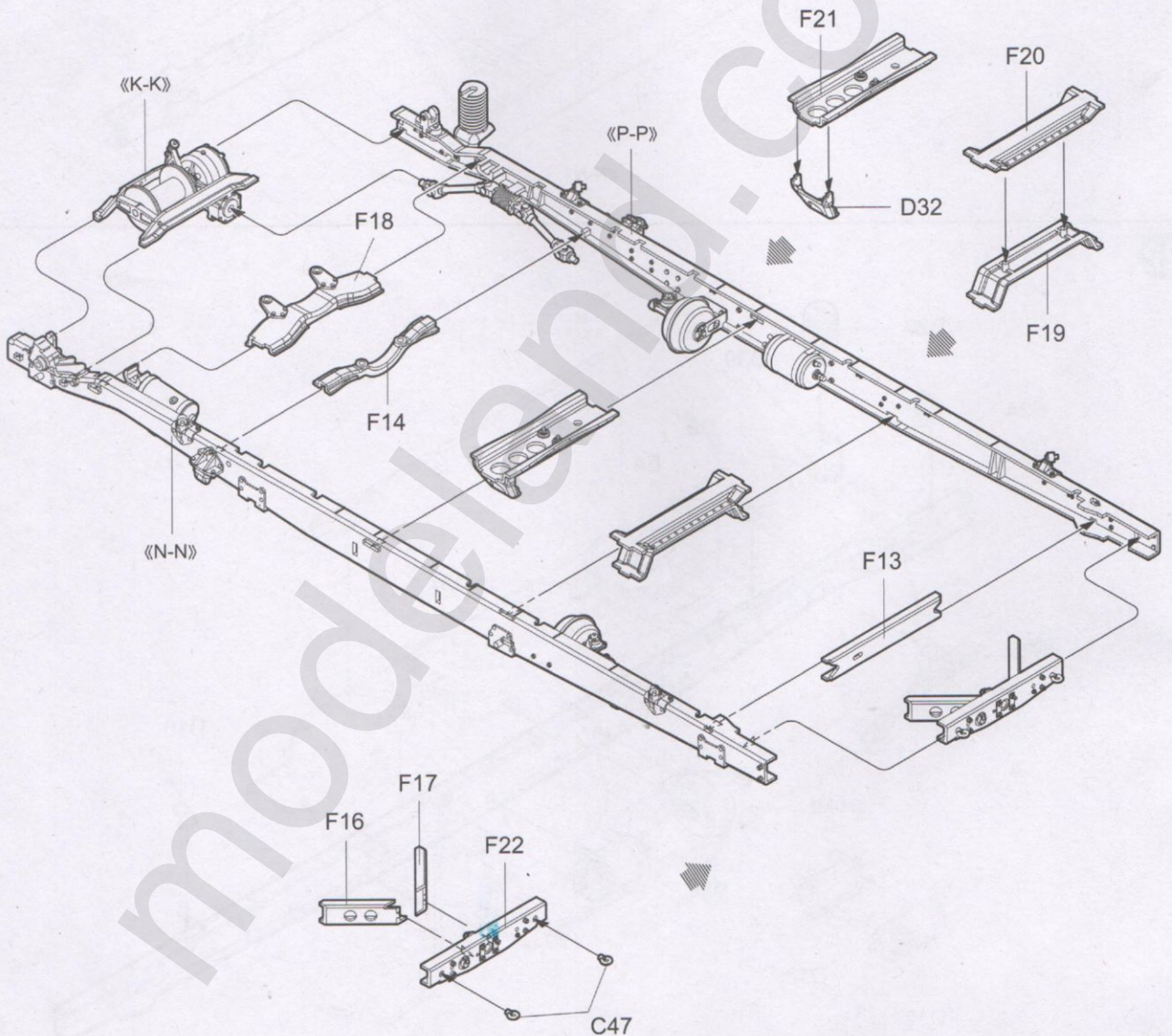


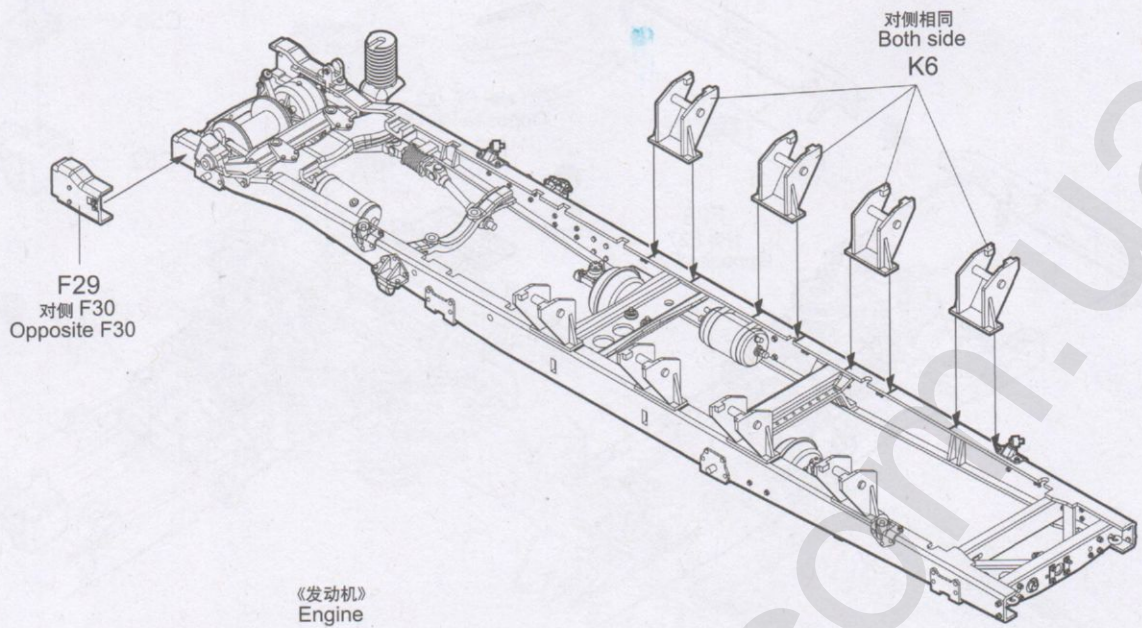
23



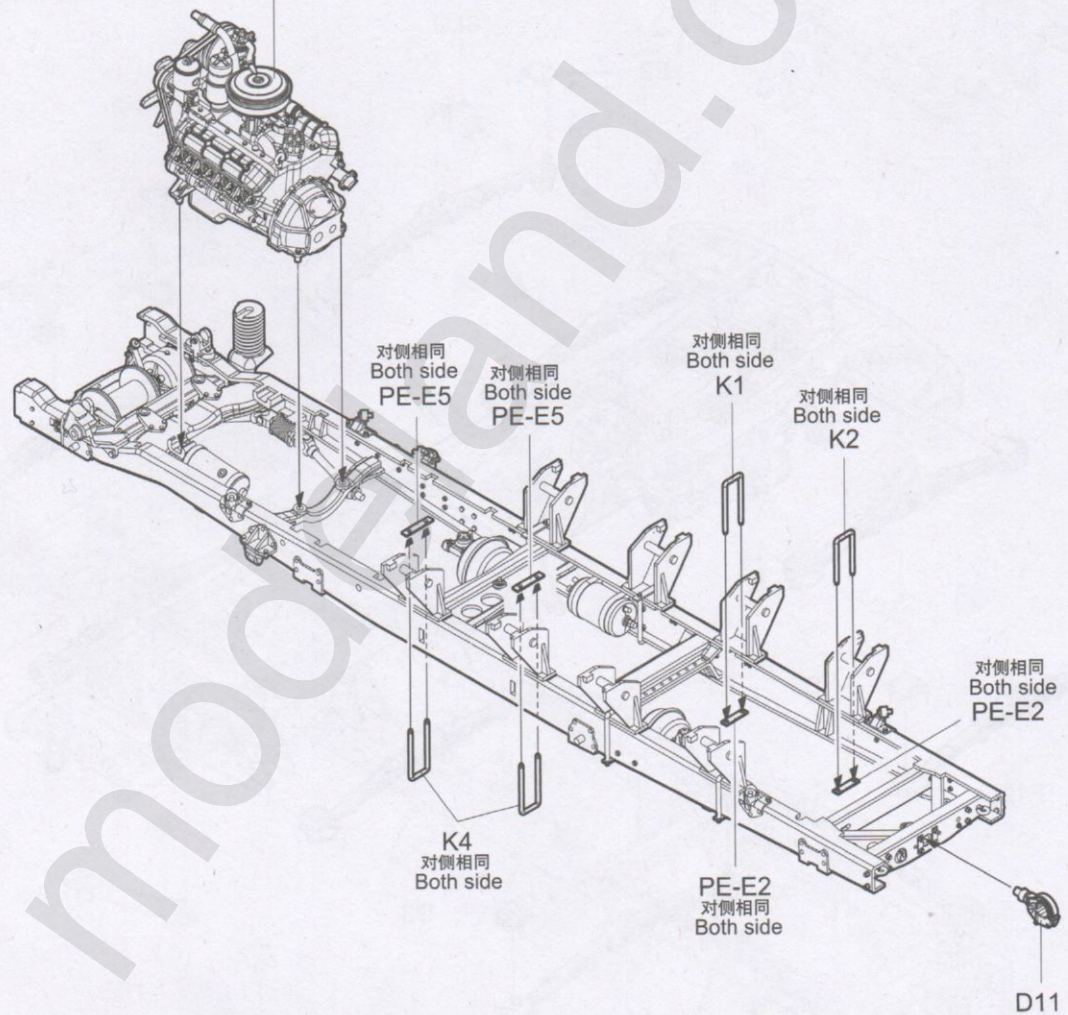
《Q-Q》

24

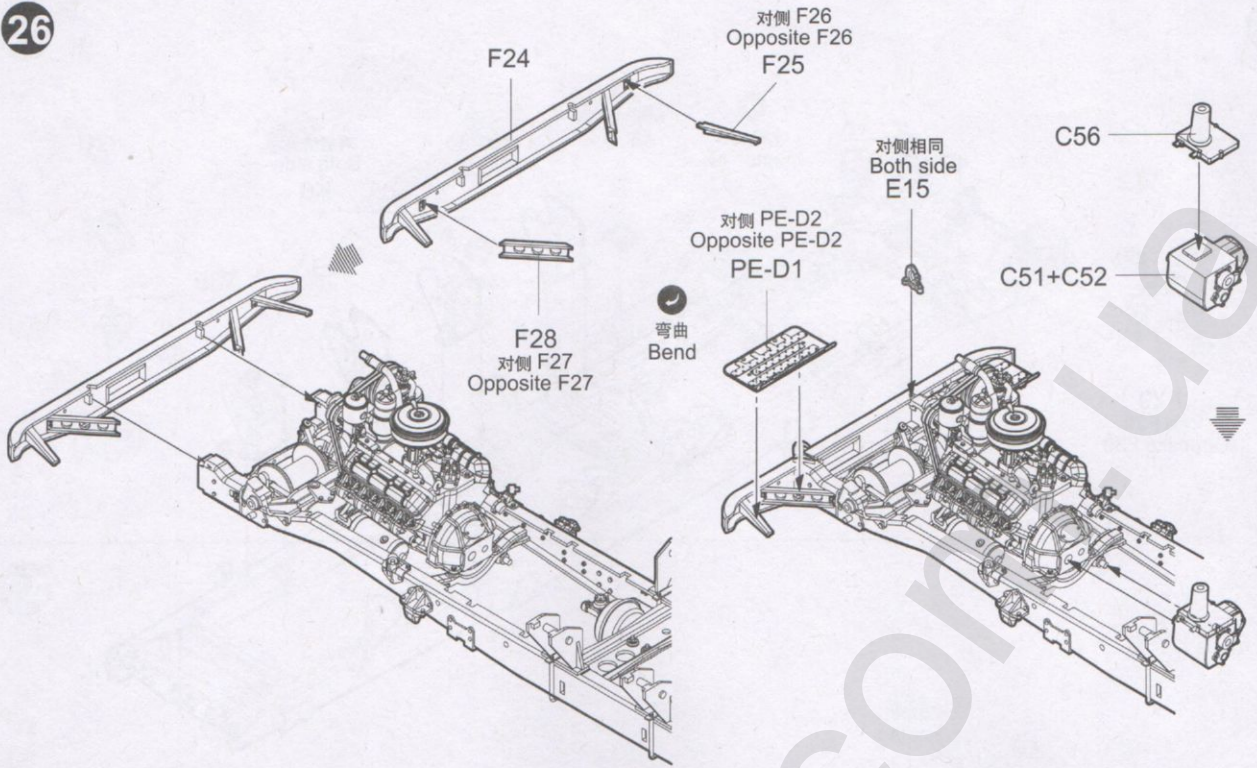




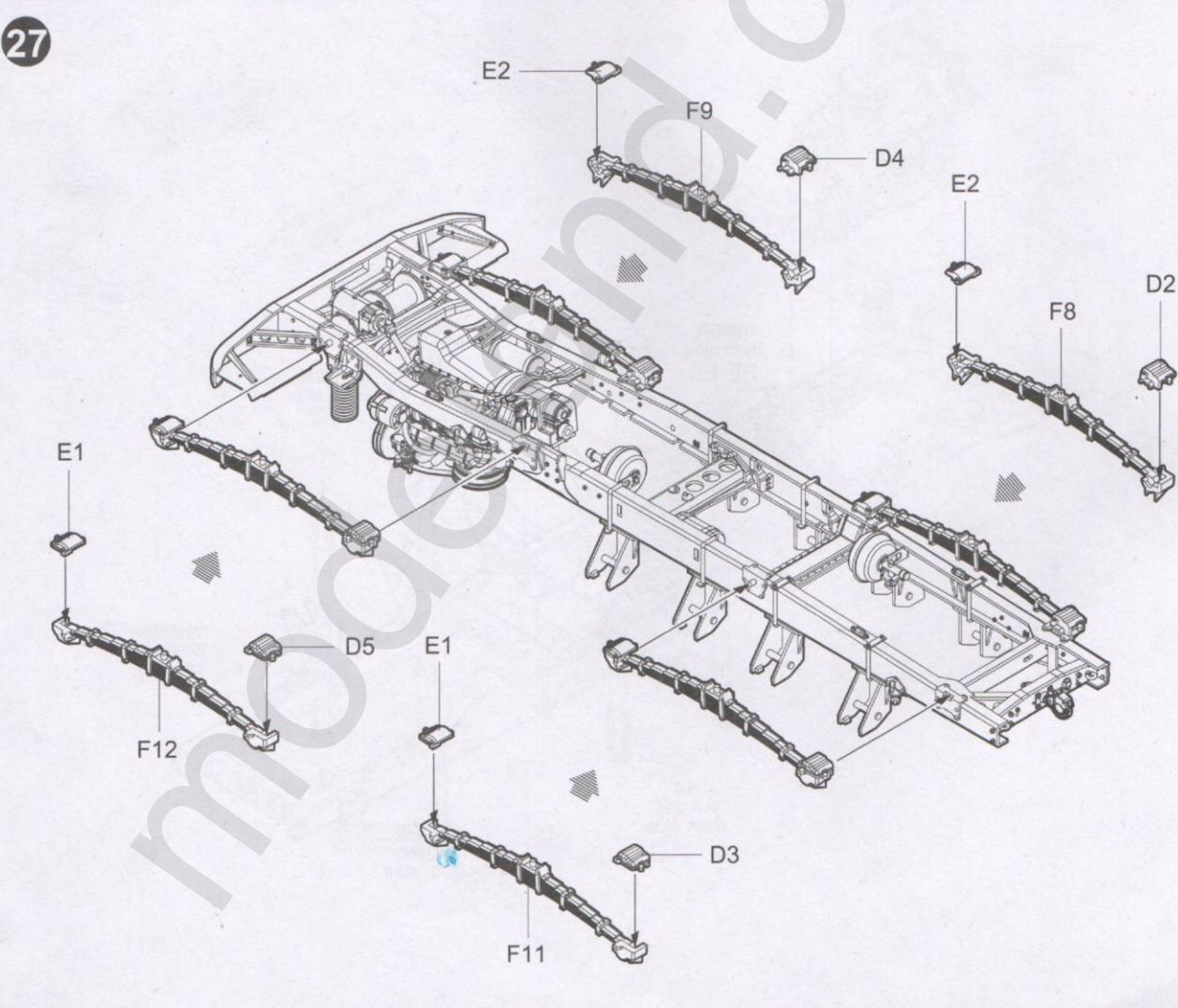
《发动机》  
Engine

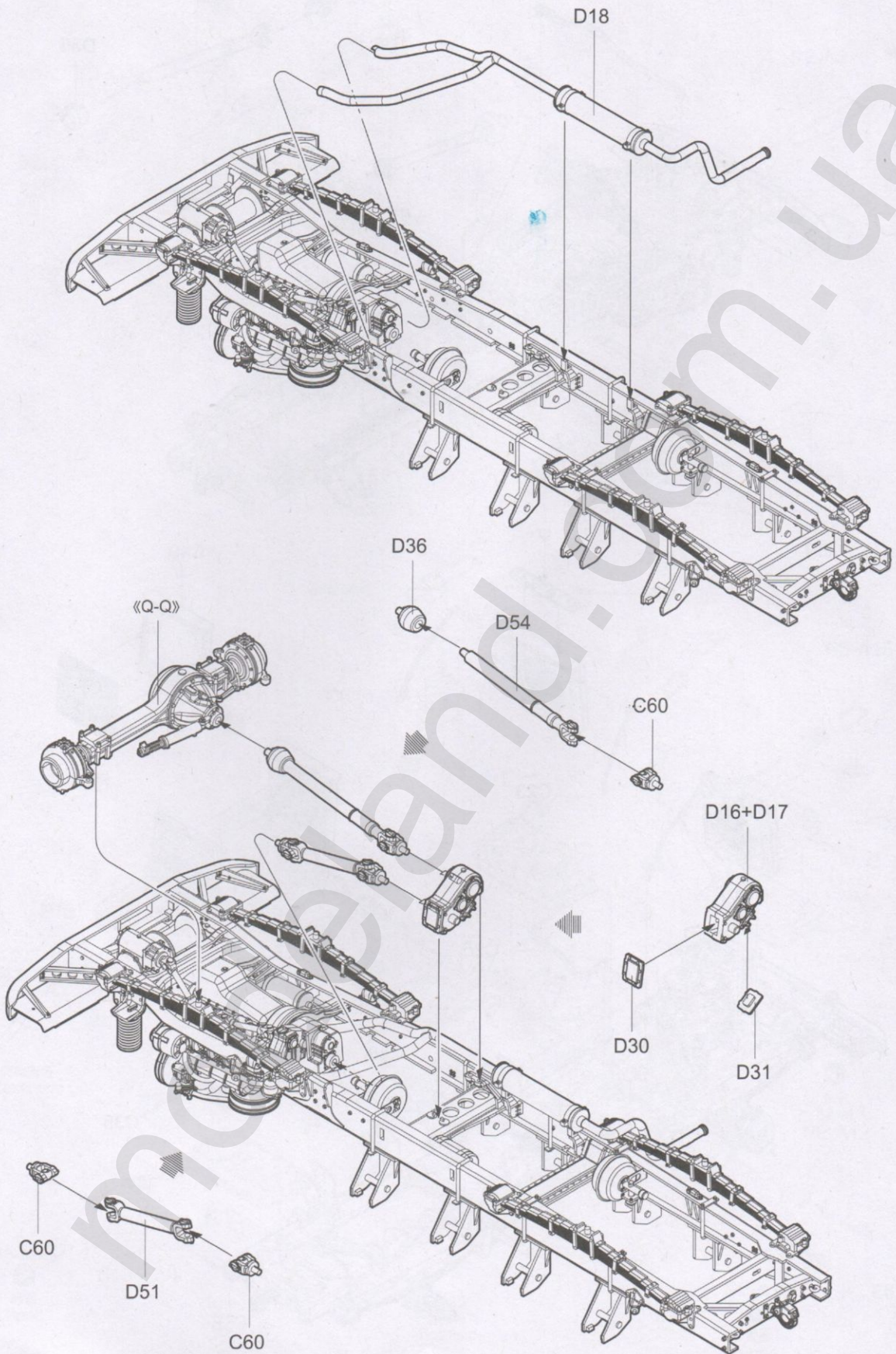


26

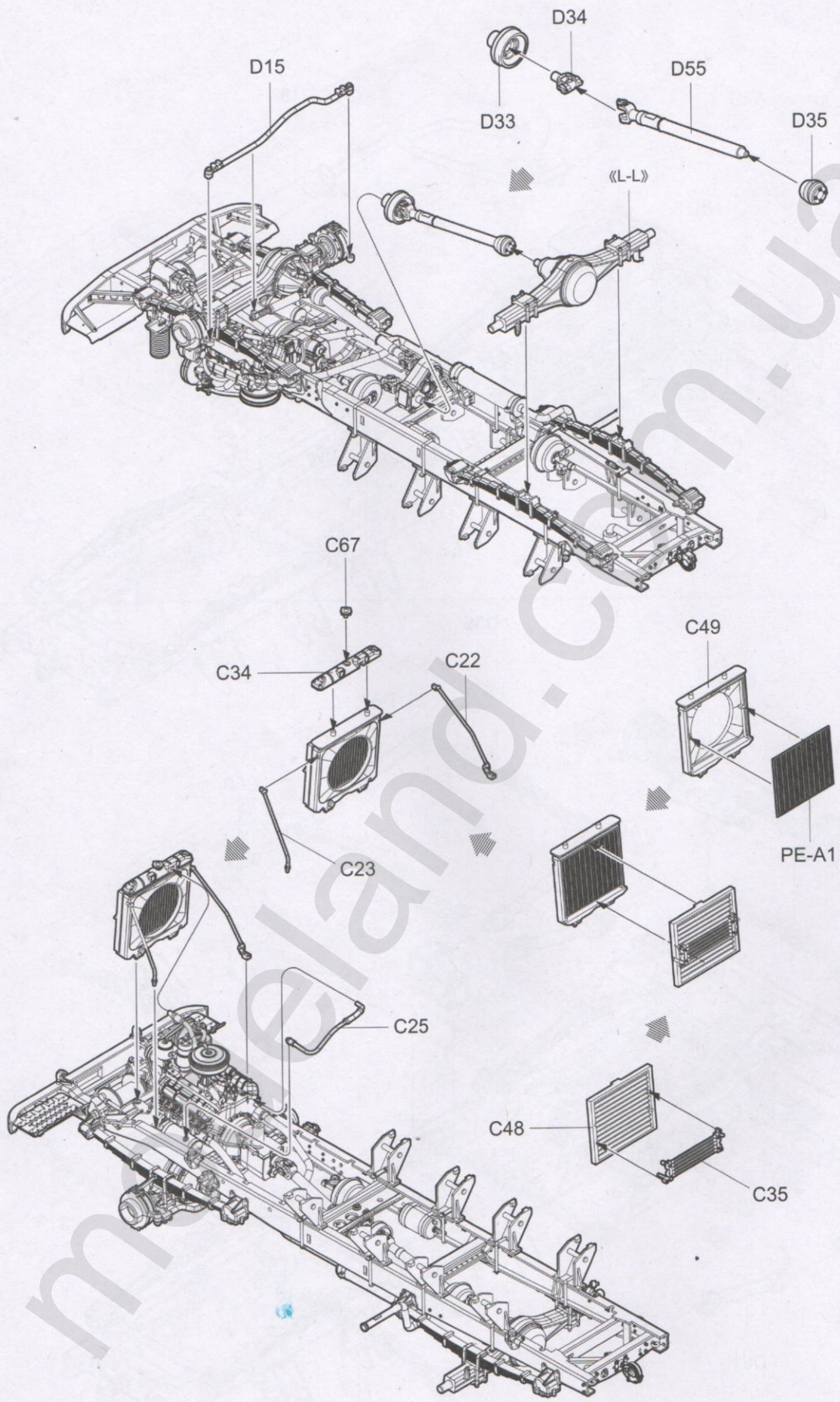


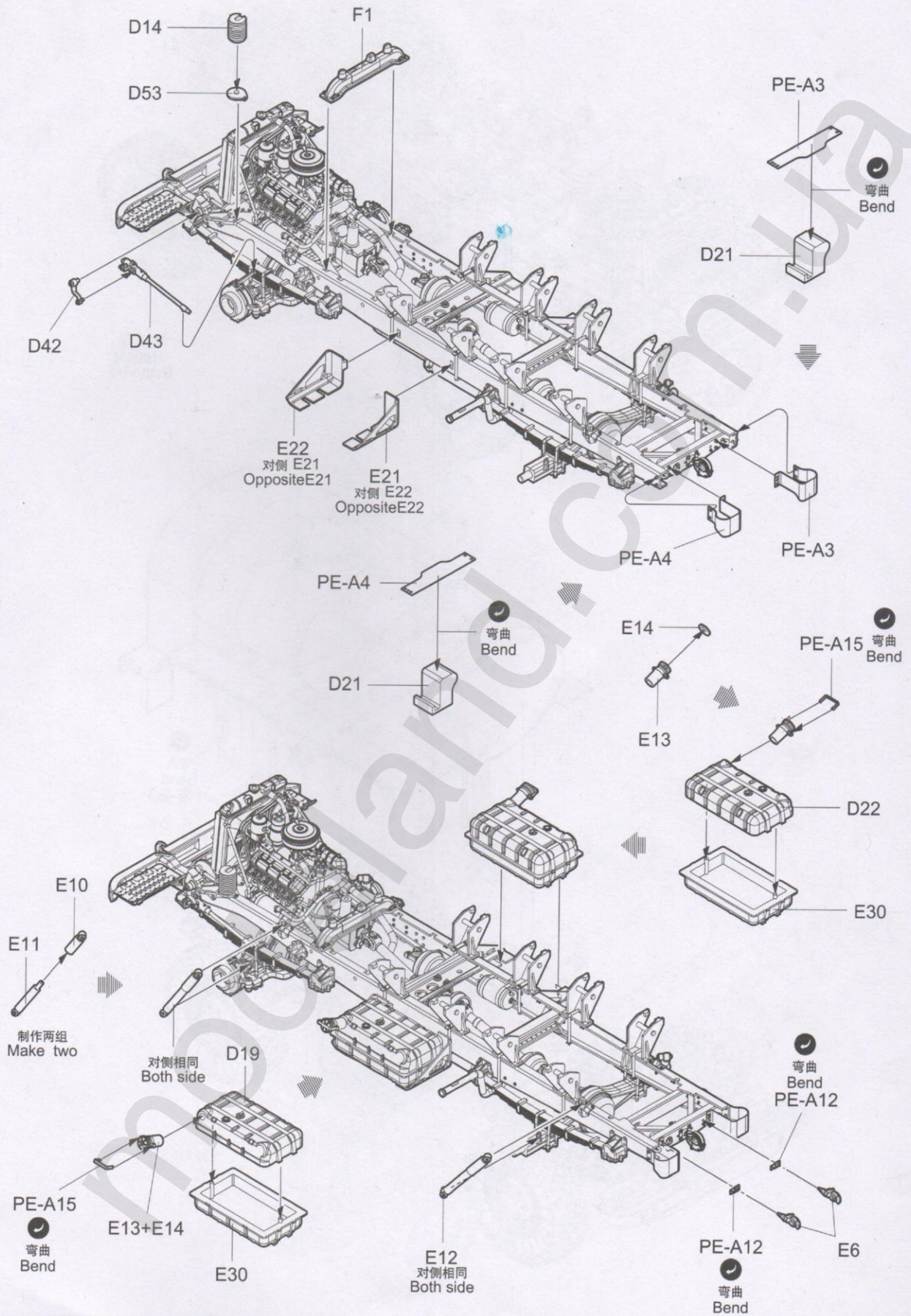
27

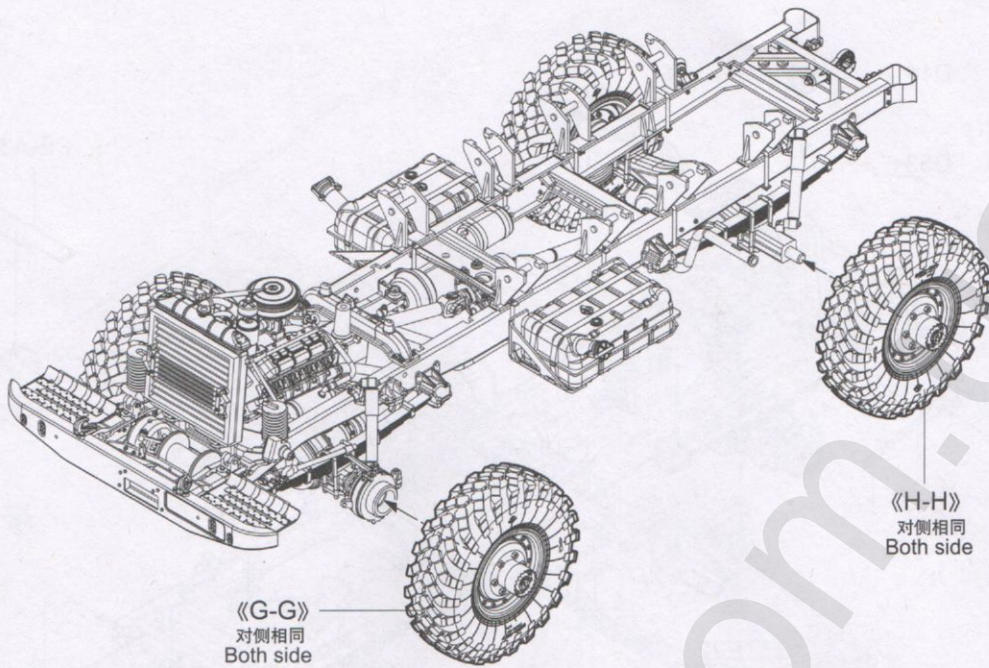






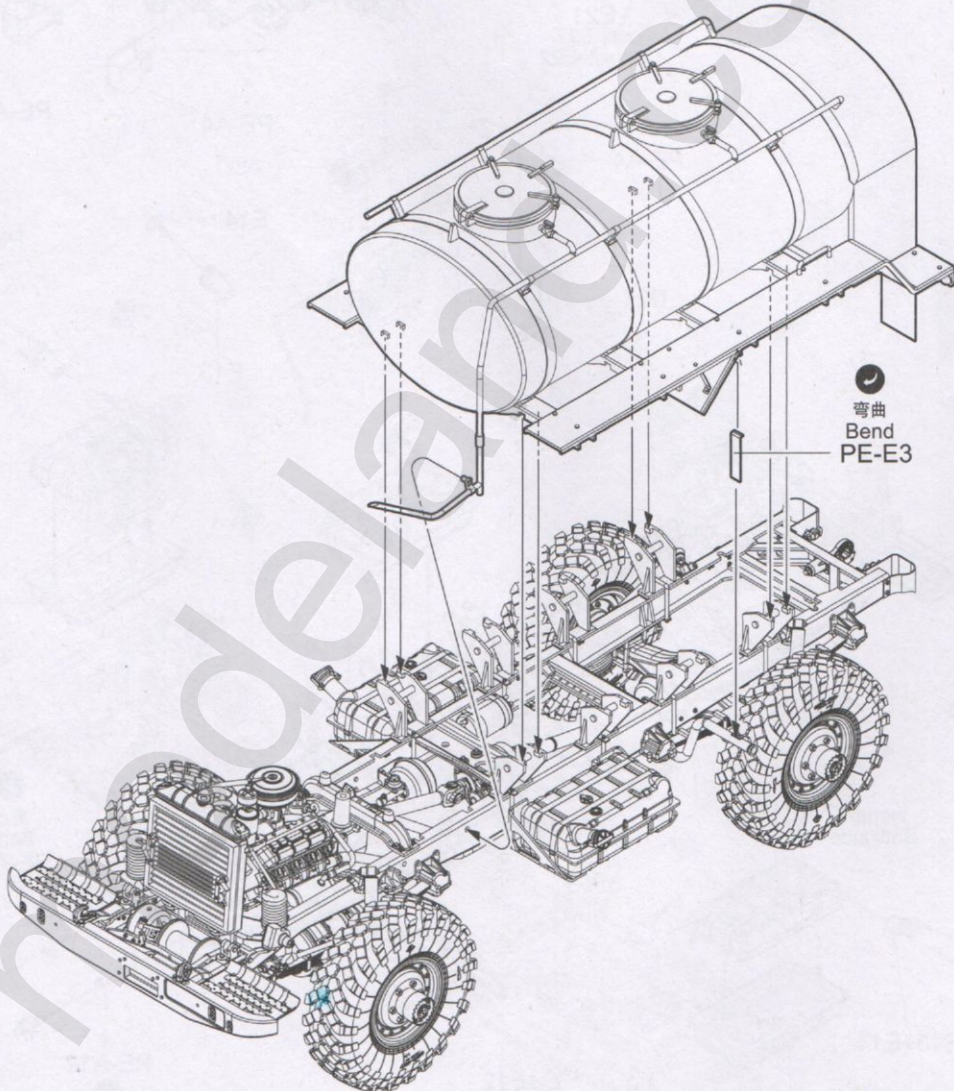






《G-G》  
对侧相同  
Both side

《H-H》  
对侧相同  
Both side



弯曲  
Bend  
PE-E3

