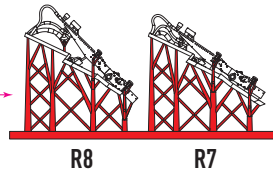
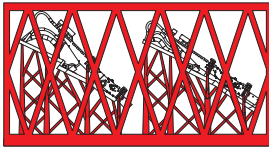
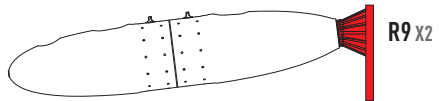
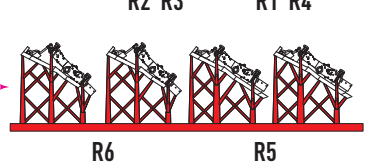


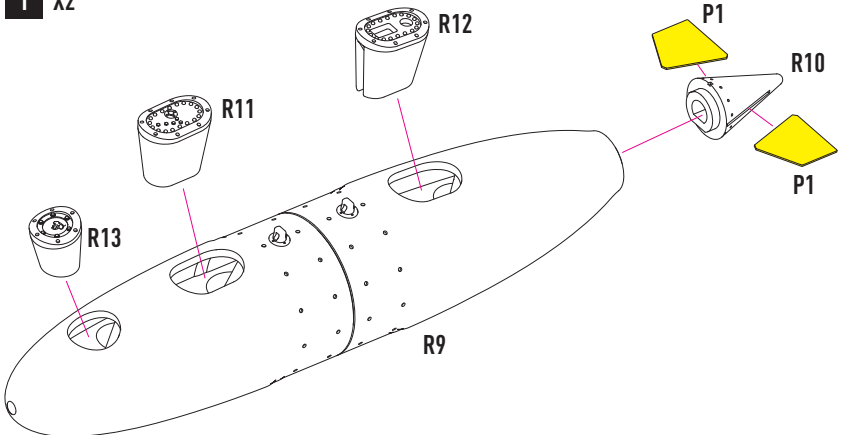
### CUT

#### REMOVE PROTECTIVE COVER

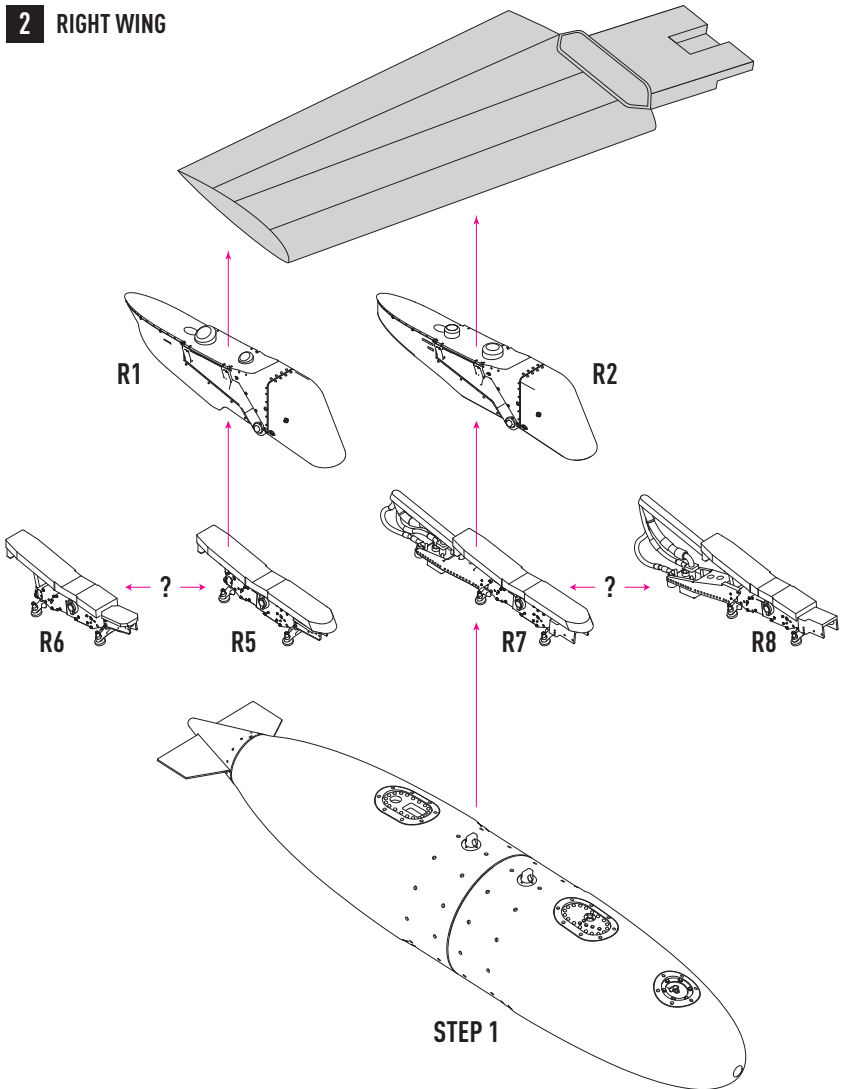
USE A SAW TO REMOVE SUPPORTS  
FROM 3D PRINTED PARTS



### 1 X2

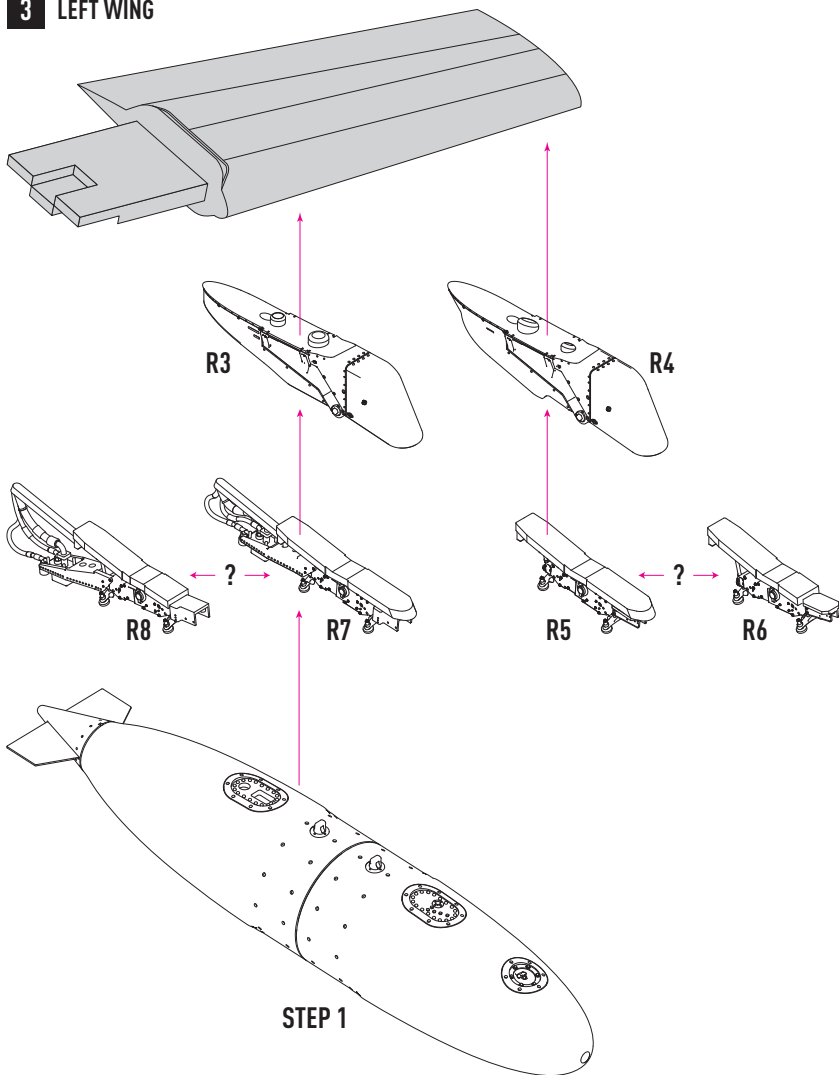


### 2 RIGHT WING



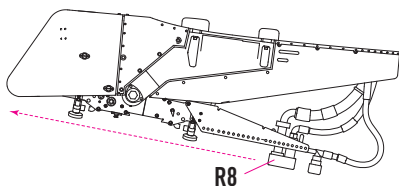
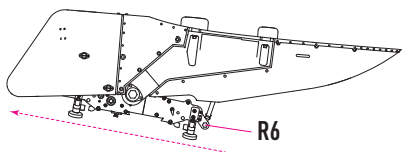
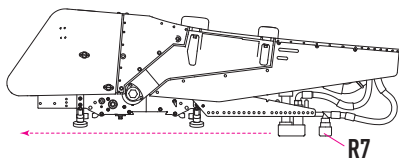
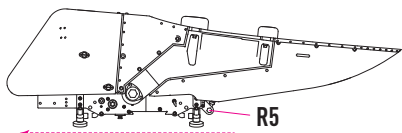
R5 - LOADING WEAPONS, R6 - LOADED IN PARKING POSITION  
R7 - LOADING WEAPONS, R8 - LOADED IN PARKING POSITION FOR FUEL TANKS

**3 LEFT WING**



**R5 - LOADING WEAPONS, R6 - LOADED IN PARKING POSITION**  
**R7 - LOADING WEAPONS, R8 - LOADED IN PARKING POSITION FOR FUEL TANKS**

### LEFT VIEW



COLORS	GINZE / ABOGUS	GINZE / MR.COLOR	FEDERAL STANDARD
OLIVE DRAB	H304	C304	FS 34087
SILVER	H8	C8	
RED	H3	C3	

### DECAL AND PAINT INSTRUCTION

