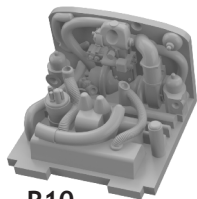


648 278 MC.202 undercarriage bay

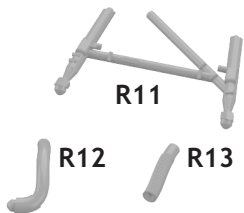
for Hasegawa/Eduard kit - pro stavebnici Hasegawa/Eduard



1/48 scale



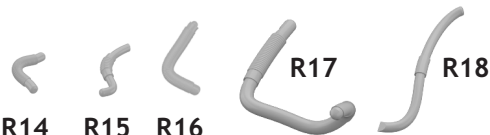
R10



R11

R12

R13



R14

R15

R16

R17

R18

COLOURS

GSI Creos (GUNZE)			Mr.METAL COLOR
AQUEOUS	Mr.COLOR		
[H 4]	[C 4]	YELLOW	
[H 5]	[C 5]	BLUE	
[H 6]	[C 6]	GREEN	
[H 7]	[C 7]	BROWN	
[H 8]	[C 8]	SILVER	
[H12]	[C33]	FLAT BLACK	
[H44]	[C51]	FLESH	

This product contains metal and resin detail parts for upgrading scale plastic models. When selecting this set make sure that it is for the kit mentioned in product name as these sets are made specifically for that kit. When upgrading the model some cutting or corrections may be necessary for parts to fit accurately. **WARNING!** This set contains small and sharp parts. Work carefully in a ventilated and well-lit room. Safety glasses are recommended. This product is not suitable for children below 14 years of age.

Tento výrobek obsahuje leptané a odlévané detaily pro úpravu a vylepšení plastického modelu. Při výběru sady kovových detailů zkontrolujte, zda je určena pro model, který chcete upravit.



435 21 Obrnice 170
Czech Republic

www.eduard.com










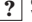

648 278 MC.202 undercarriage bay

for Hasegawa/Eduard kit - pro stavebnici Hasegawa/Eduard

1/48

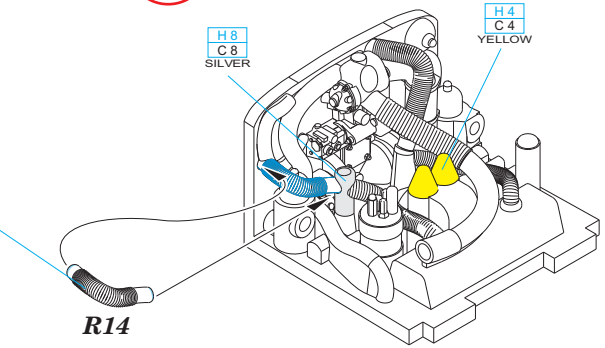
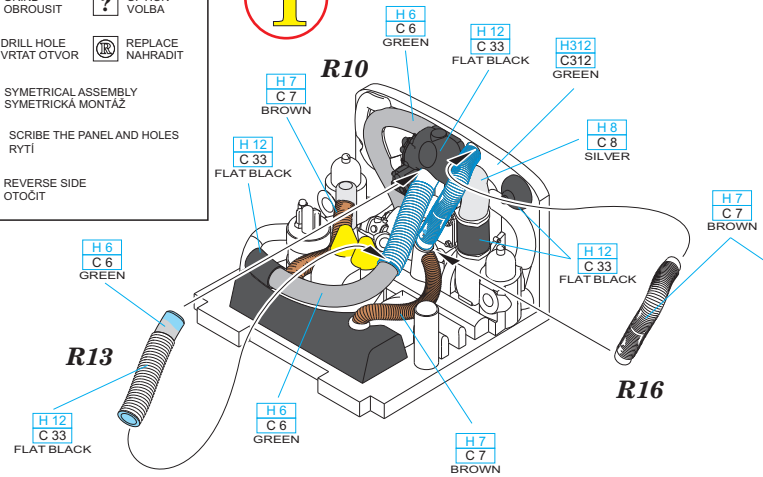


BEST ~~BRASS~~ RESIN AROUND!

-  REMOVE
ODSTRANIT
-  GRIND
OBROUSIT
-  DRILL HOLE
VRTAT OTVOR
-  SYMMETRICAL ASSEMBLY
SYMETRICKÁ MONTÁŽ
-  SCRIBE THE PANEL AND HOLES
RYTÍ
-  REVERSE SIDE
OTOČIT
-  BEND
OHNOUT
-  OPTION
VOLBA
-  REPLACE
NAHRADIT

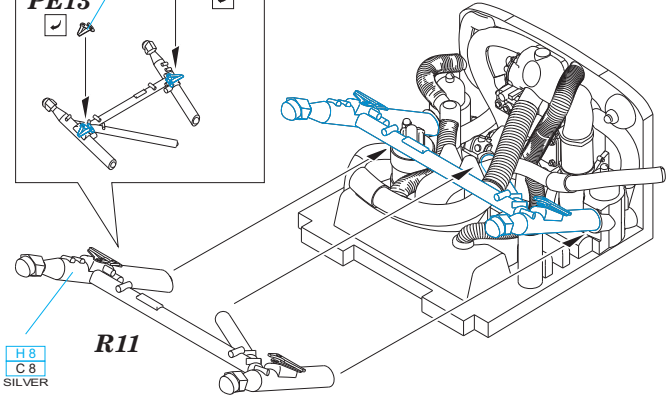
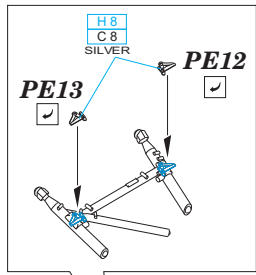
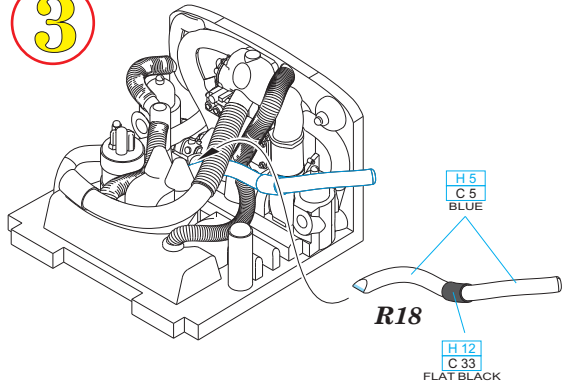
1

2



3

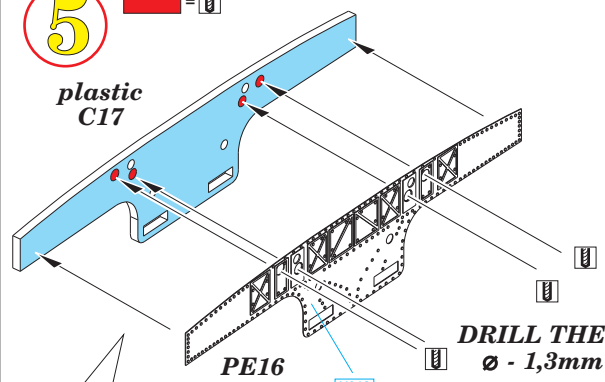
4



5



plastic
C17

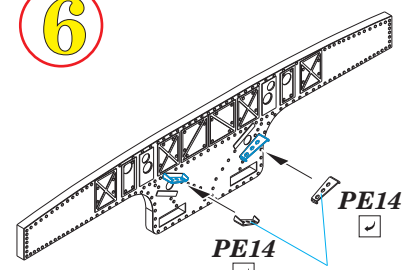


PE16

H312
C312
GREEN

DRILL THE HOLE
Ø - 1,3mm

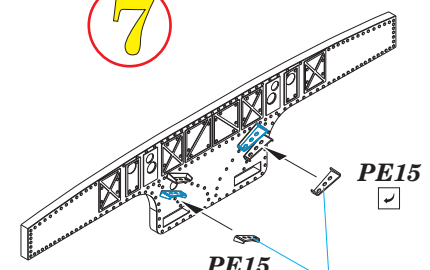
6



PE14

H312
C312
GREEN

7



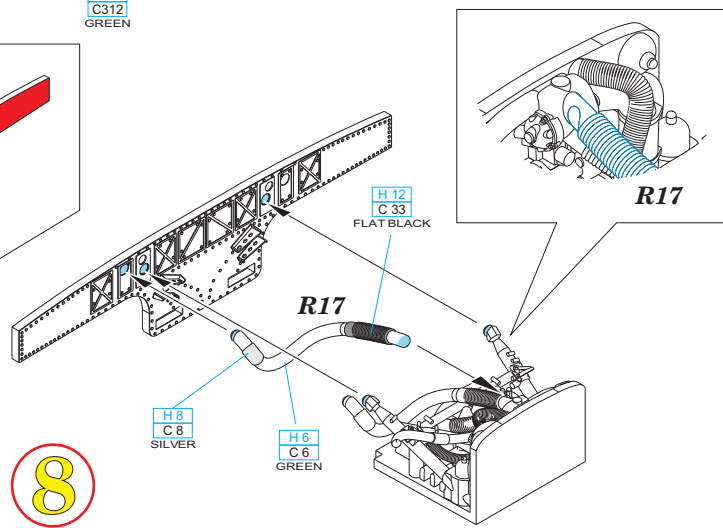
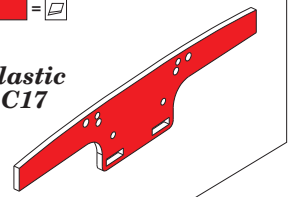
PE15

PE15

H312
C312
GREEN



plastic
C17



R17

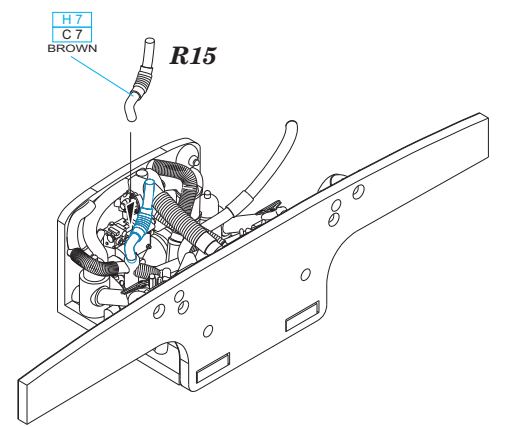
H12
C33
FLAT BLACK

H8
C8
SILVER

H6
C6
GREEN

8

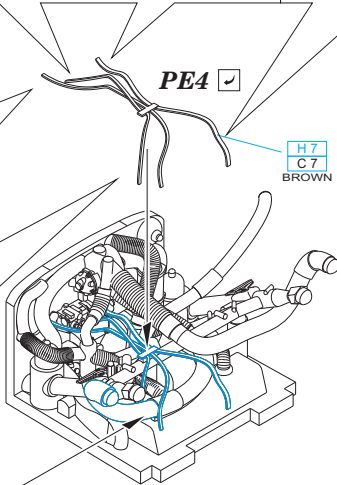
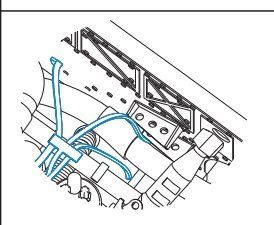
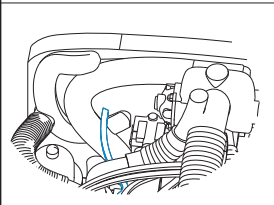
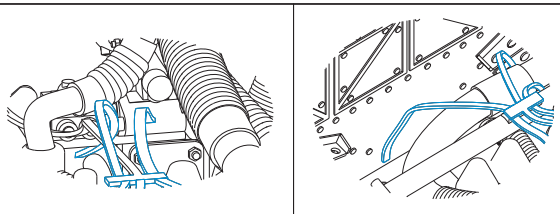
9



H7
C7
BROWN

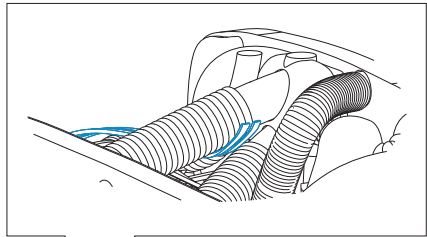
R15

10



PE4 ✓

H 7
C 7
BROWN

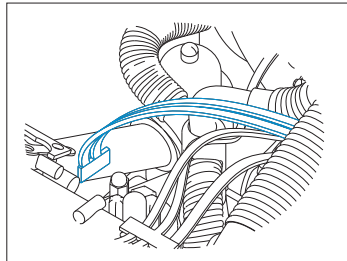


11

R12



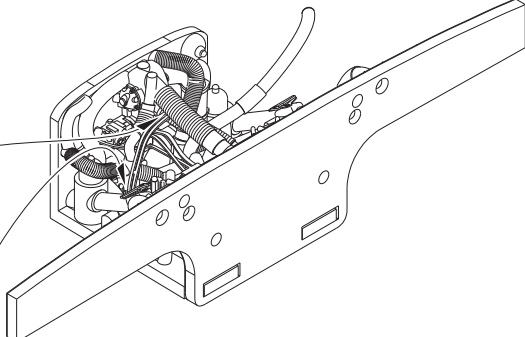
H 6
C 6
GREEN



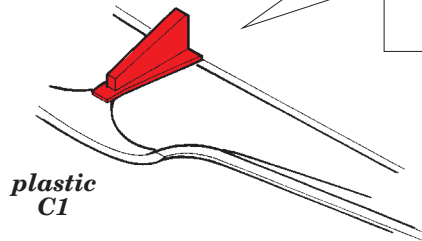
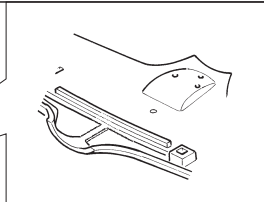
PE9

✓

H 44
C 51
FLESH

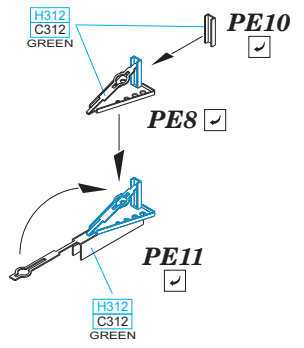


12



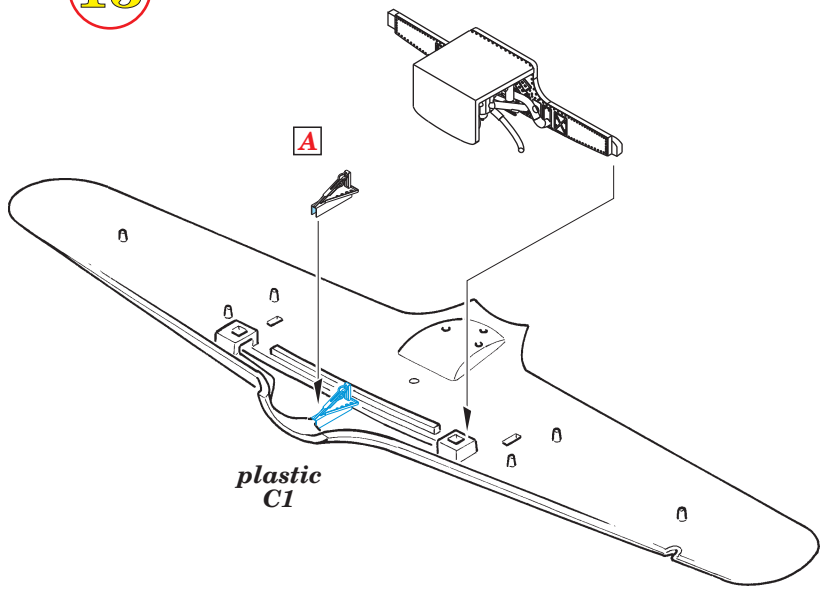
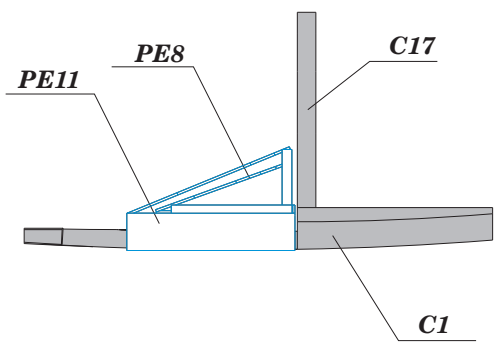
plastic
C1

A



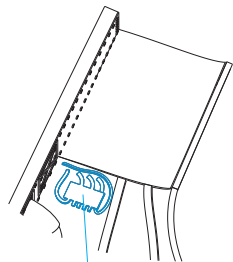
13

CORRECT POSITION



plastic
C1

14



PE2

PE2

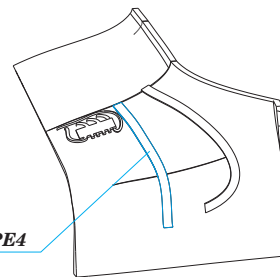
PE1

H312
C312
GREEN

PE4



PE5



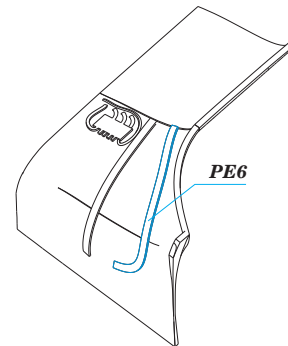
PE4

H312
C312
GREEN

PE6



PE7



PE6

