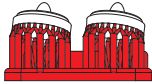
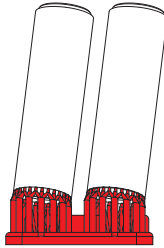


CUT

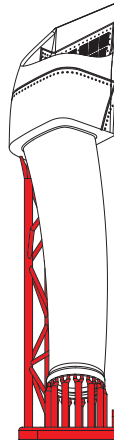
 USE A SAW TO REMOVE SUPPORTS
FROM 3D PRINTED PARTS



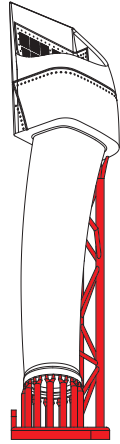
R4



R3 X2



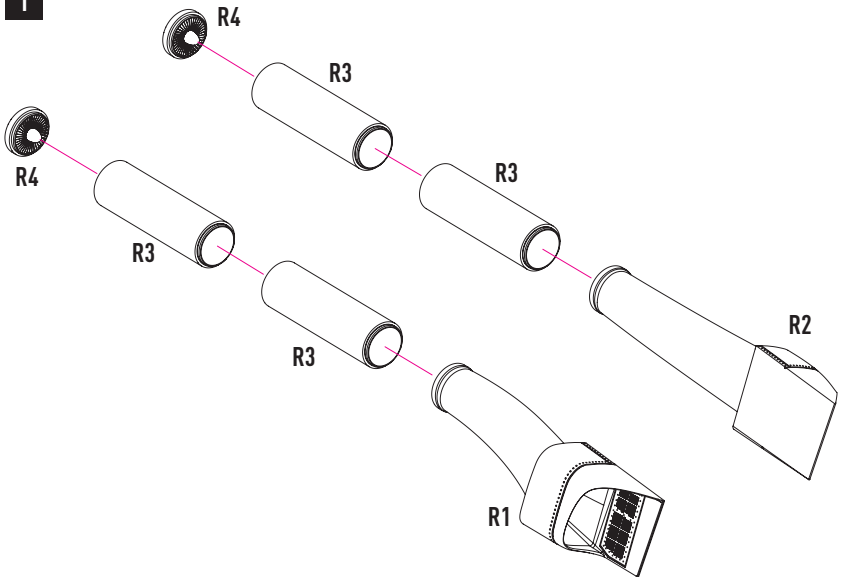
R1



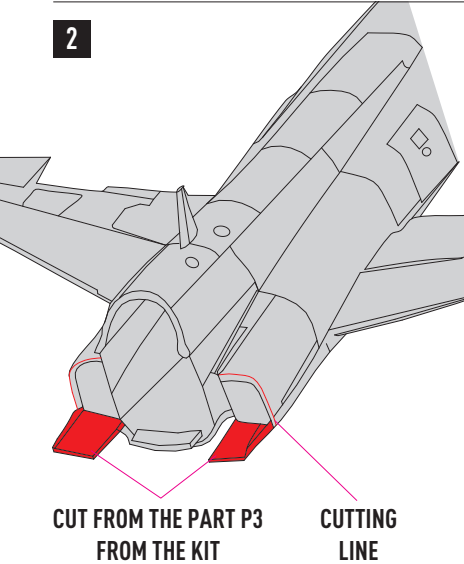
R2

REMOVE PARTS P9, P10, G1, G2, P19, P20 FROM AFV CLUB KIT

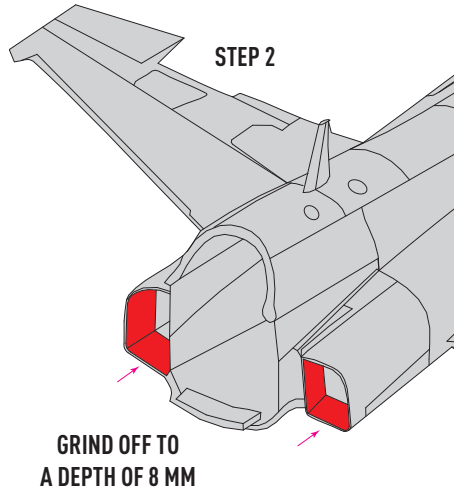
1



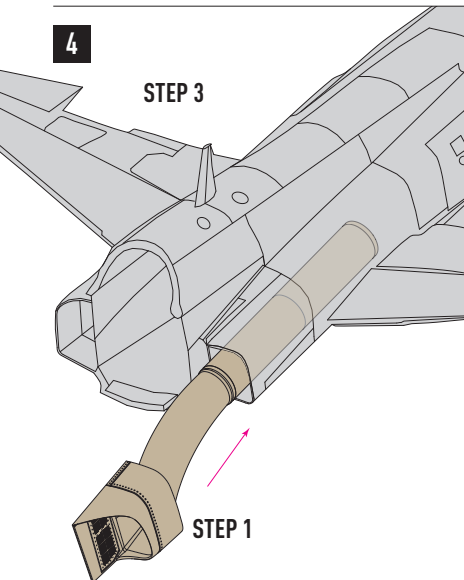
2



3



4



5

