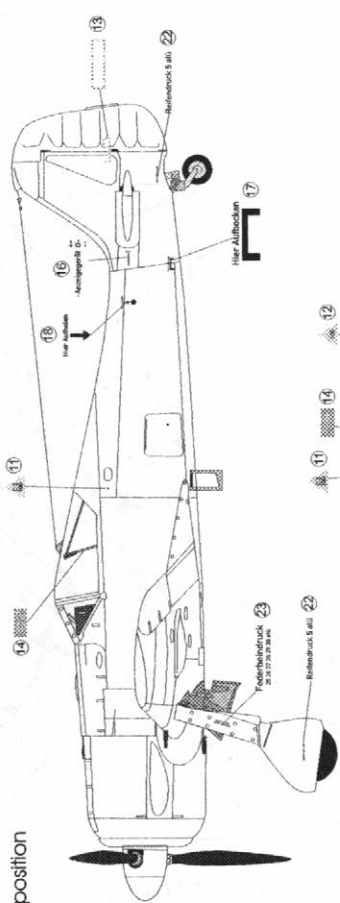
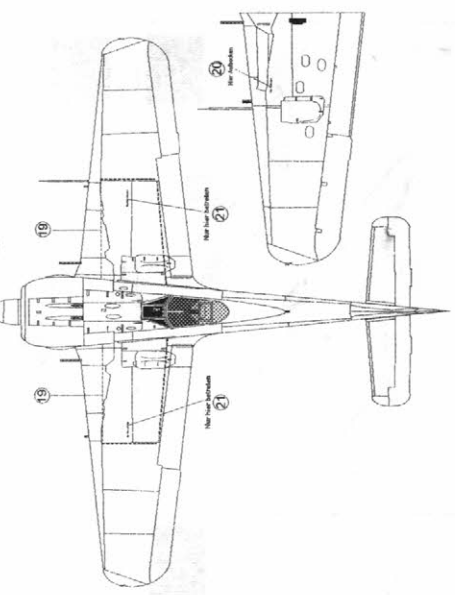
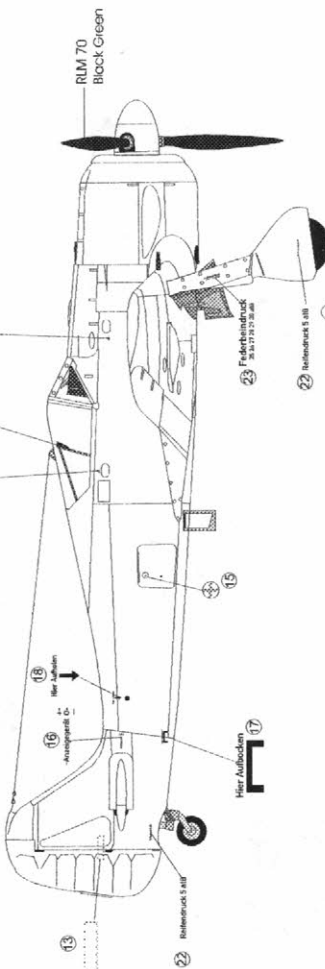


Transparent part 11



Decals position



Colour	
A	Black
B	White
C	RLM 02 Grey
D	RLM 41 Grey
E	RLM 66 Black-Grey
F	Aluminium
G	Leather
H	Hemp



Focke-Wulf Fw 190 A-2 'Special'

Plastic model

AZ 7268

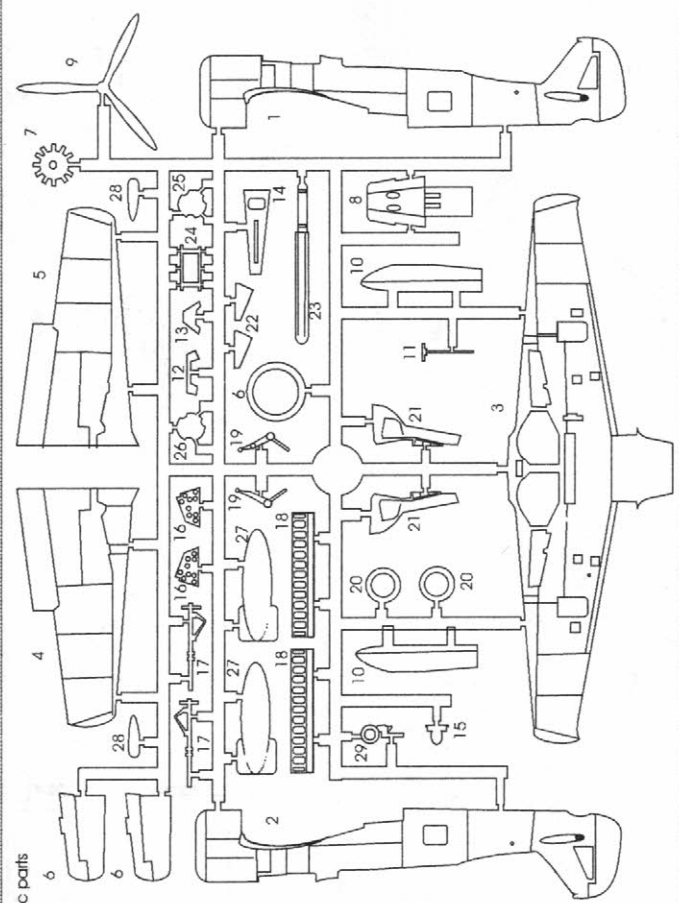
scale : 1/72

The first prototype, the Fw 190 V1, had its first flight on 1 June 1939 bearing the civil registration D-OPZE while powered by a 1,550 PS (1,329 hp, 1,140 kW) BMW 139 14-cylinder two-row radial engine. It soon showed exceptional qualities for such a comparatively small aircraft, with excellent handling, good visibility and speed (initially around 610 km/h (380 mph)). Fw 190 A-0 were the pre-production series ordered in November 1940. A total of 28 of these were built, because they were built before the new wing design was fully tested and approved, the first nine of the Fw 190 A-0 had small wings. All were armed with two fuselage-mounted 7.92 mm MG.17 machine guns, two wing-root mounted MG 17s and two outboard wing-mounted MG 17s.

Fw 190 A-1
This version first rolled off the assembly lines in June 1941. The first few models were shipped to the *Eyrolsbruggstügel* (formerly from TI.JG.26, Schillingen) for further testing. Following this testing the Fw 190 A-1 entered service with 1/JG 26 stationed outside of Paris, France. The A-1 was equipped with the BMW 801 C-1 engine, rated at 1,560 PS (1,339 hp, 1,147 kW). Armament consisted of two fuselage-mounted 7.92 mm MG 17s, two wing-root mounted MG 17s and two outboard wing-mounted 20 mm MGFFLRs.

Fw 190 A-2
The first of these appeared in October 1941 and were equipped with the improved BMW 801 C-2, which was still rated at 1,560 PS (1,339 hp, 1,147 kW).

Plastic parts



Decals

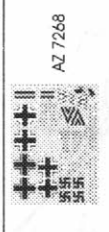
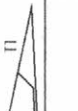


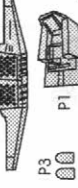
Photo-Etched parts



Transparent part



PIR parts



OPTIONAL
VOLBA

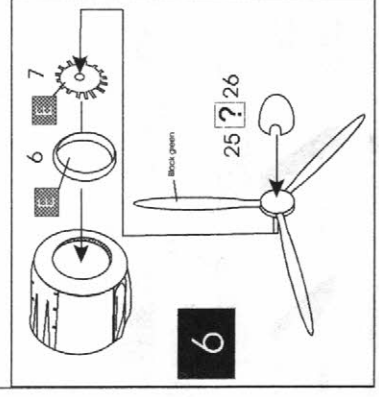
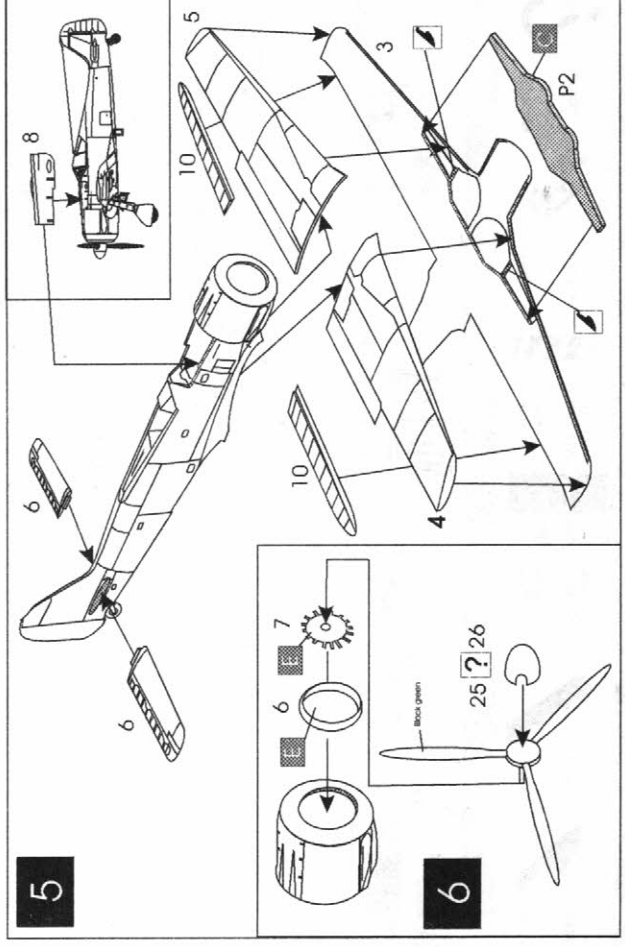
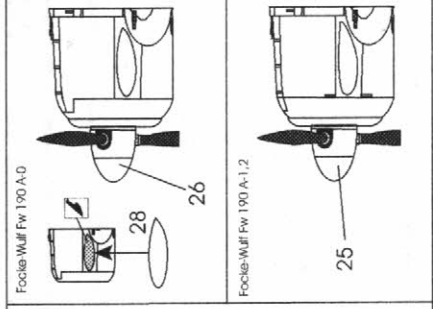
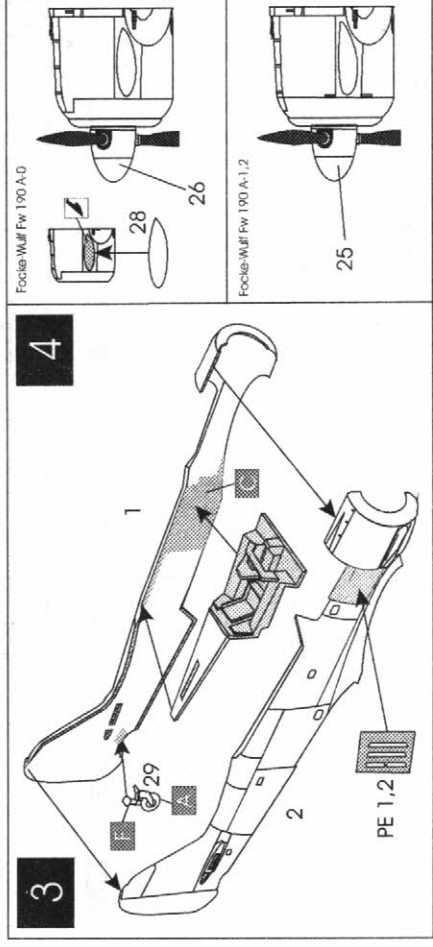
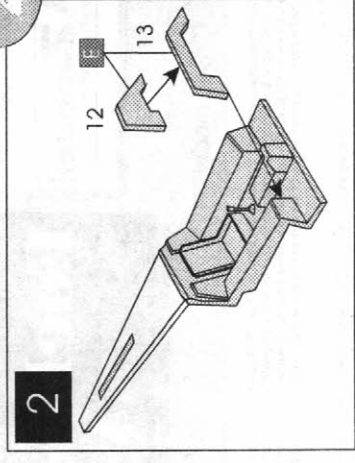
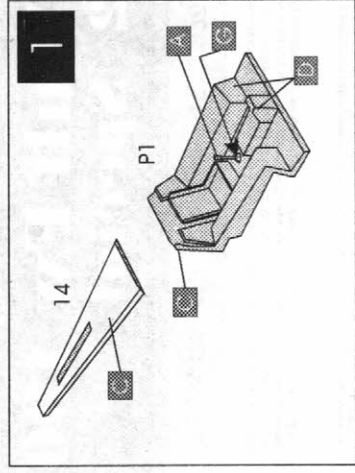
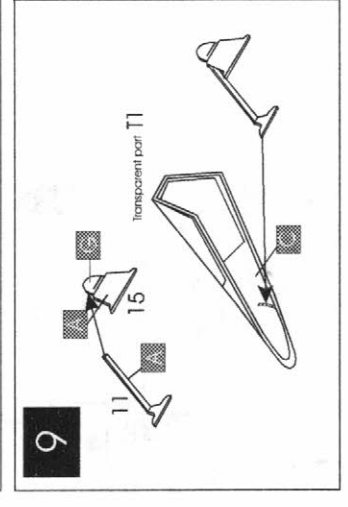
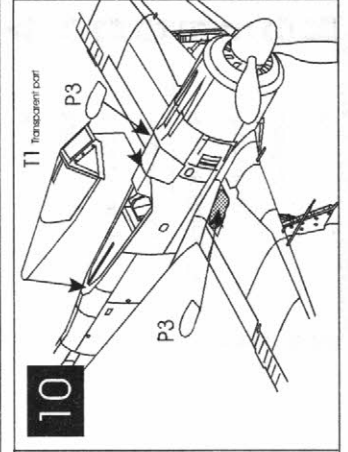
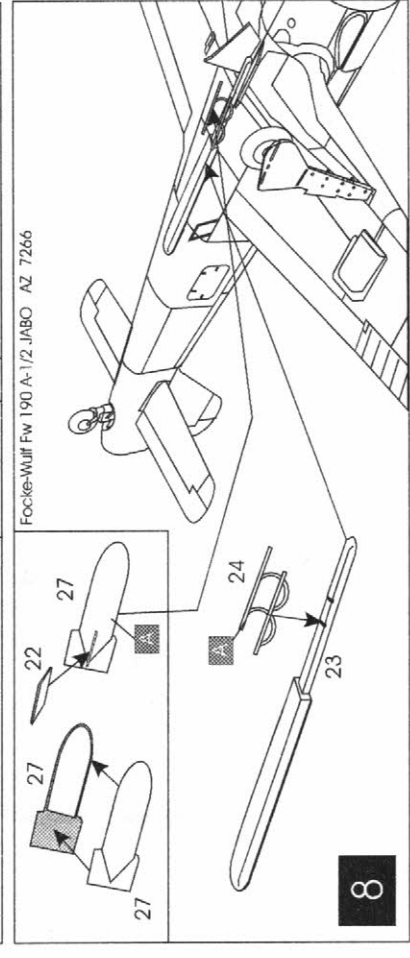
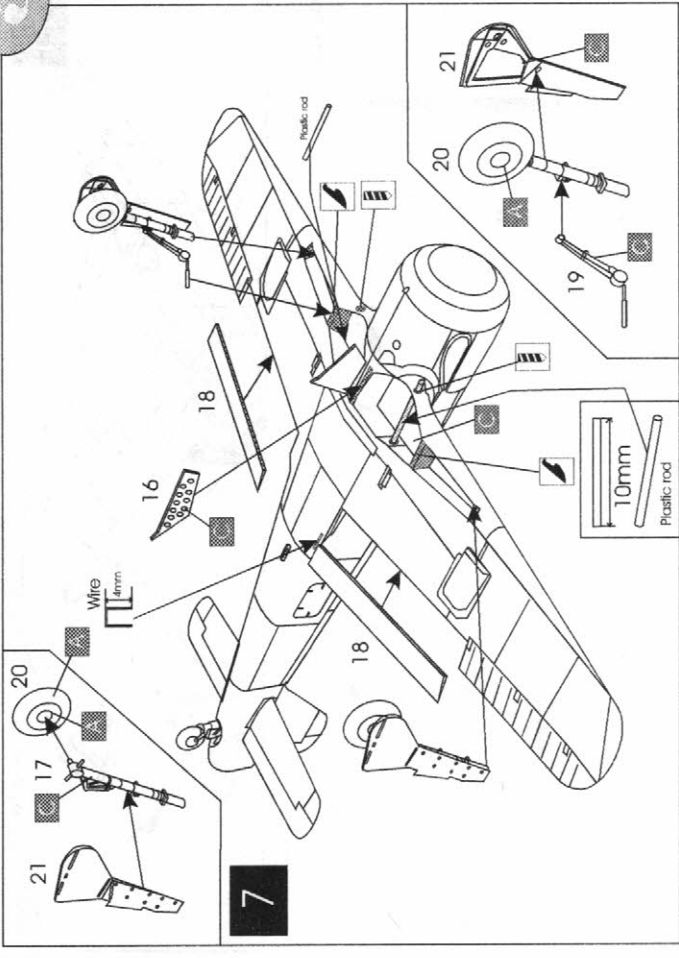
BEND
OHNOUT

OPEN
HOLE
VYVRIAT
OTVOR

SYMMETRICAL
ASSEMBLY
SYMETRICKA
MONTAZ

A NOTH
ZAREZ

REMOVE
ODRIZNOUT



Focke Wulf Fw190 A-2

Marking & Painting マーキング及び塗装図

AZmodel
Plastic kits

