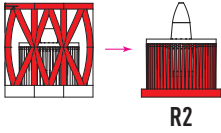
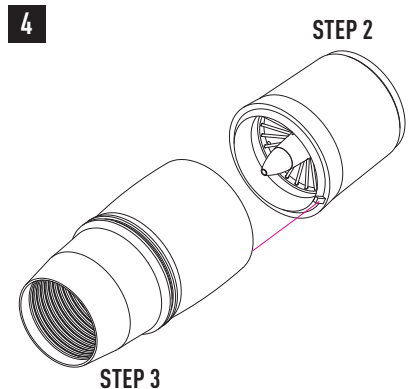
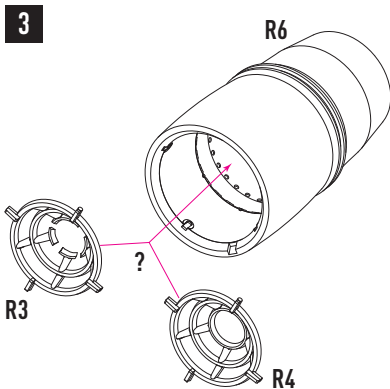
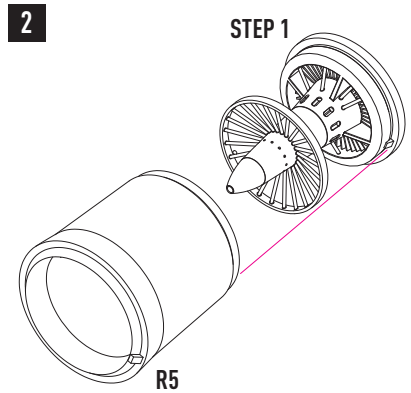
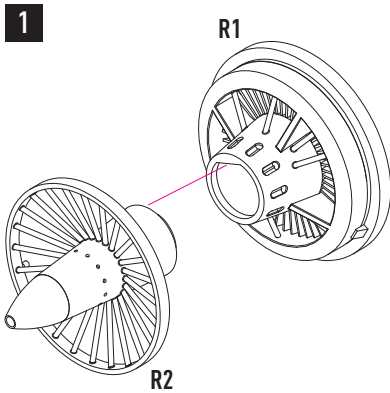
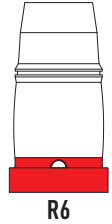
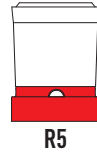


CUT

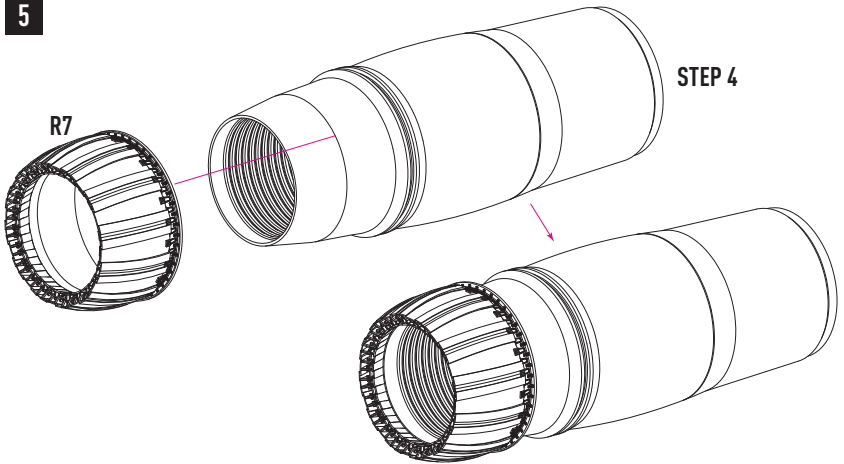


**REMOVE
PROTECTIVE COVER**

USE A SAW TO REMOVE SUPPORTS
FROM 3D PRINTED PARTS



5



6

