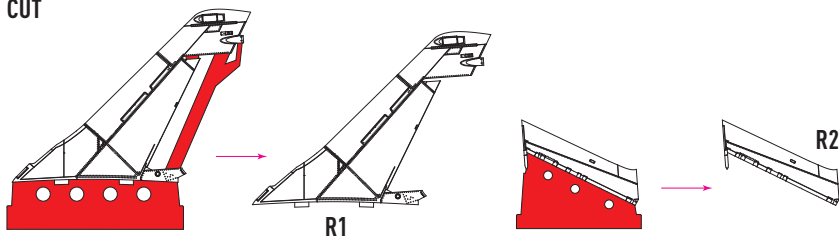
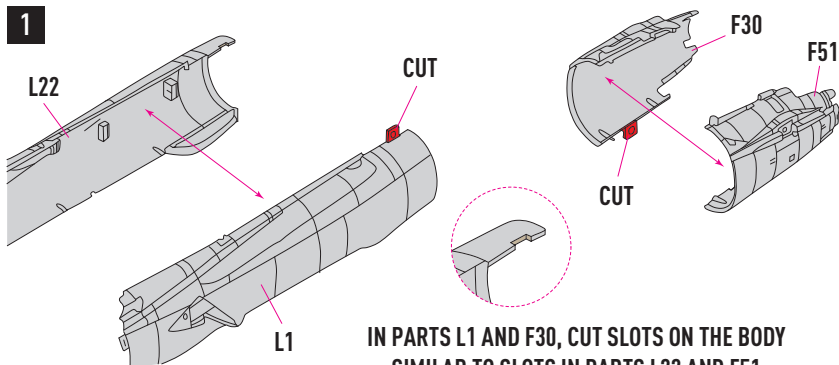


CUT



1



IN PARTS L1 AND F30, CUT SLOTS ON THE BODY  
SIMILAR TO SLOTS IN PARTS L22 AND F51

2

