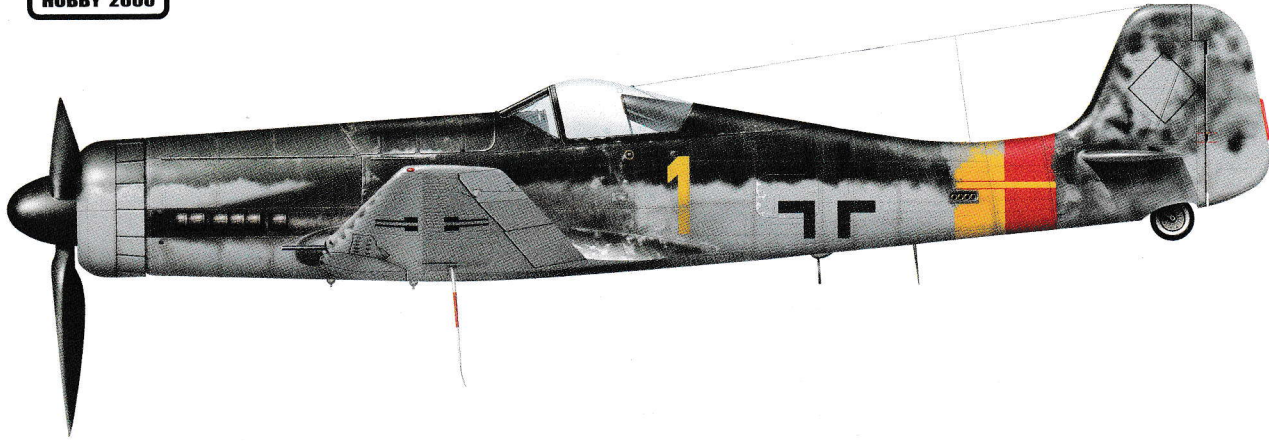




# Focke-Wulf Ta 152 H-0

48017



OPEN HOLE  
FORO APERTO  
OFFNEN  
HACER AQUJERO  
WYKONAC OTWOR  
FAIRE UN TROU  
VYVRTAT OTVOR



DECAL  
DECALCOMANIE  
ABZIEHBILD  
CALCOMANIA  
KALKOMANIA  
DECALCOMANIE  
OBTISK



REMOVE  
RETIEREN  
ENTFERNEN  
CORTAR  
WYCIAC  
SEPARARE  
ODSTRANIT



OPTION  
FACULTATIF  
NACH BELIEBEN  
HACER AQUJERO  
DO WYBORU  
FACULTATIVO  
VOLBA

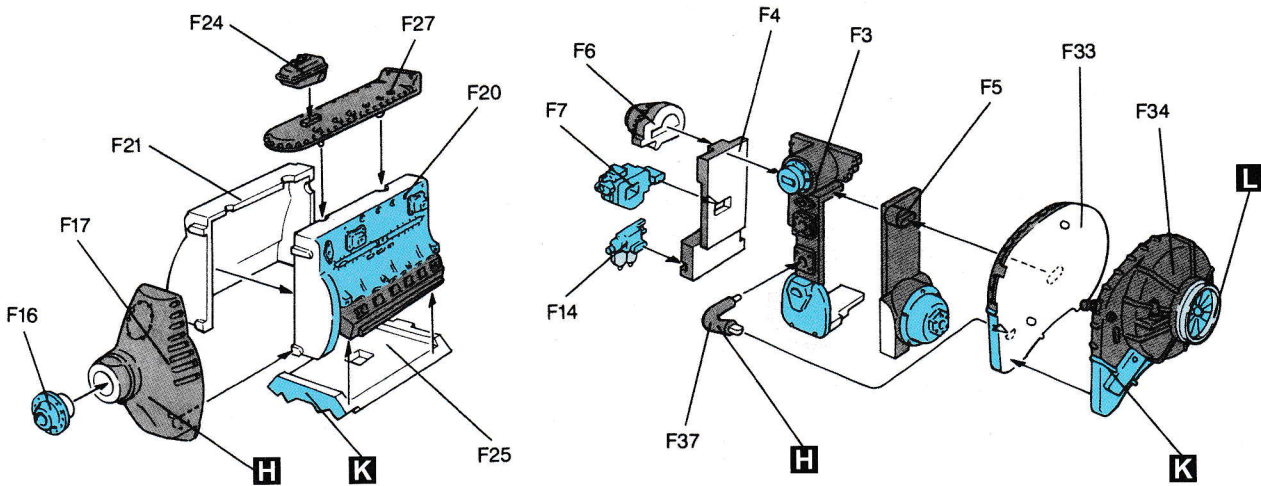


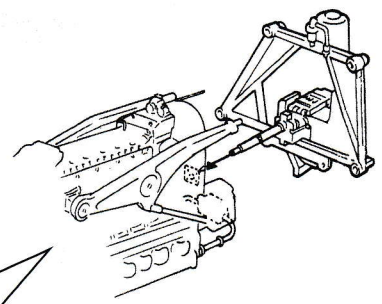
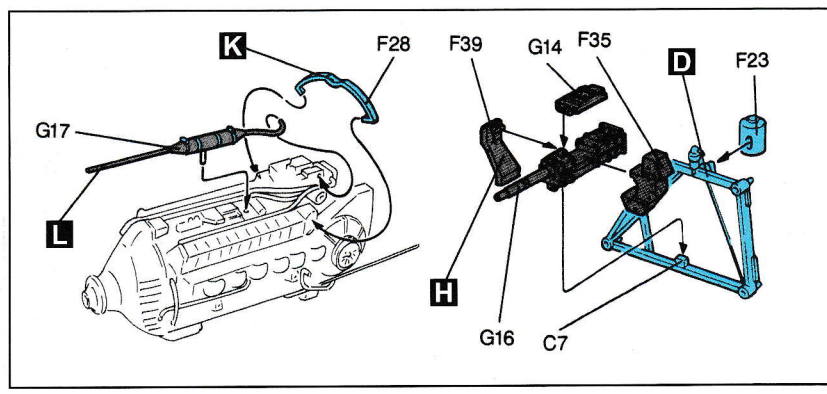
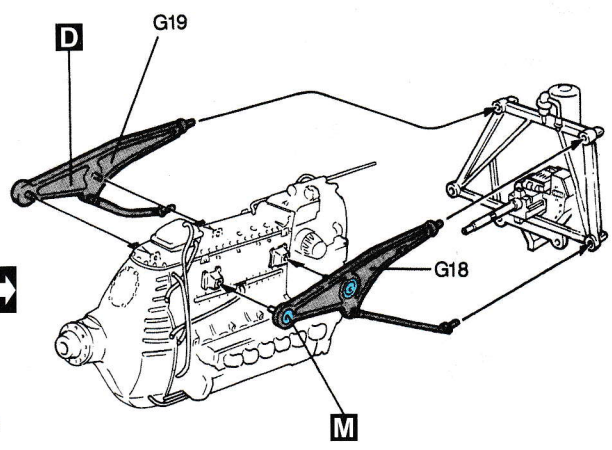
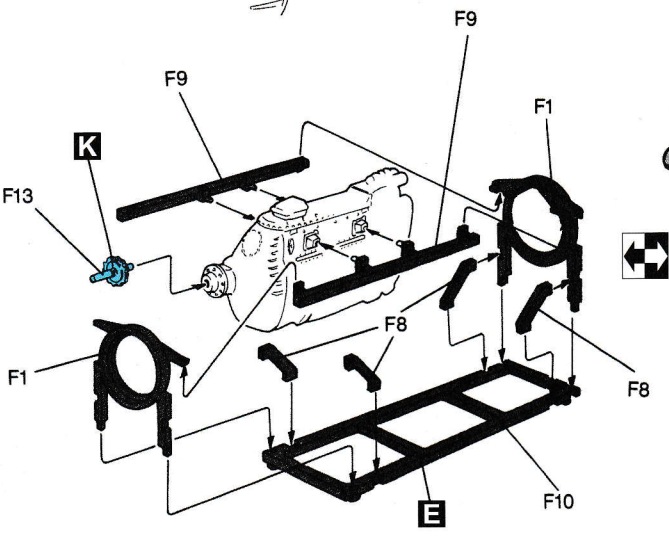
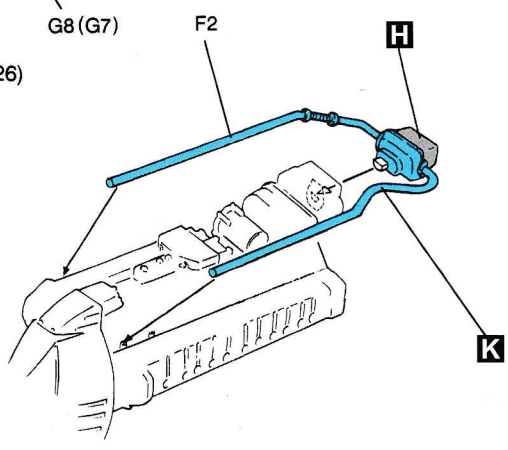
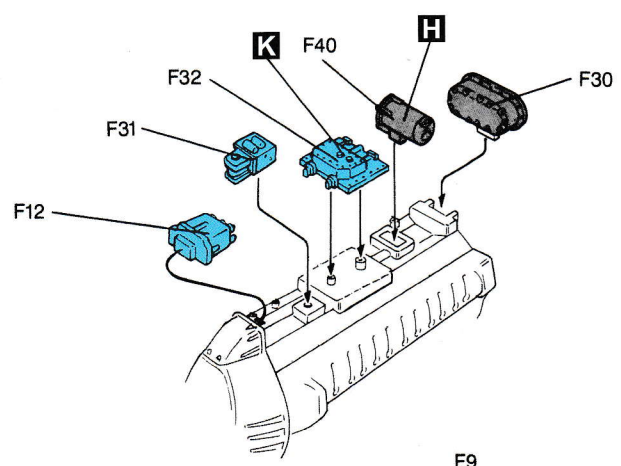
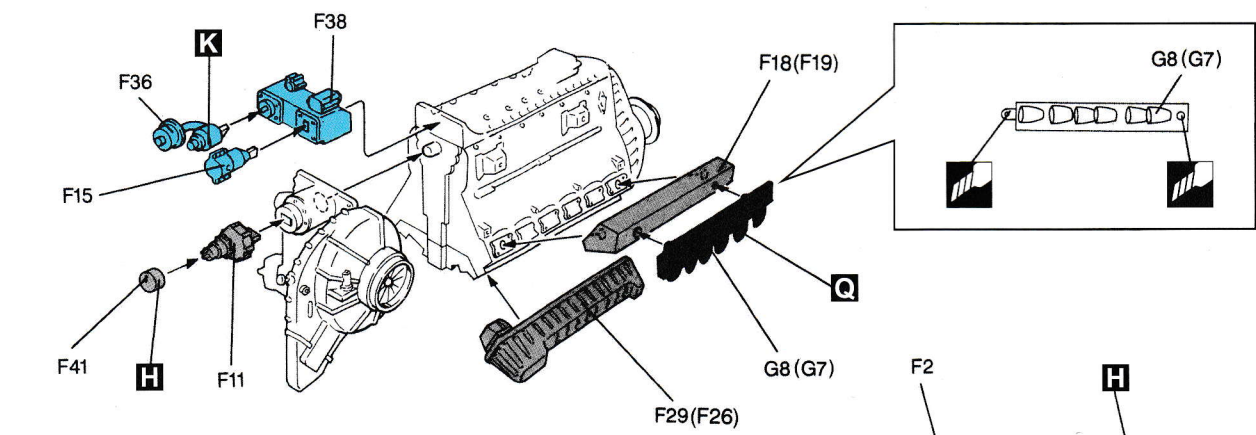
FILL HOLE  
FORO PIENO  
SCHLIESSEN  
EMPUJE EL AQUJERO  
ZAMKNAĆ OTWOR  
BOUCHER LE TROU  
ZAKRYJTE OTVOR



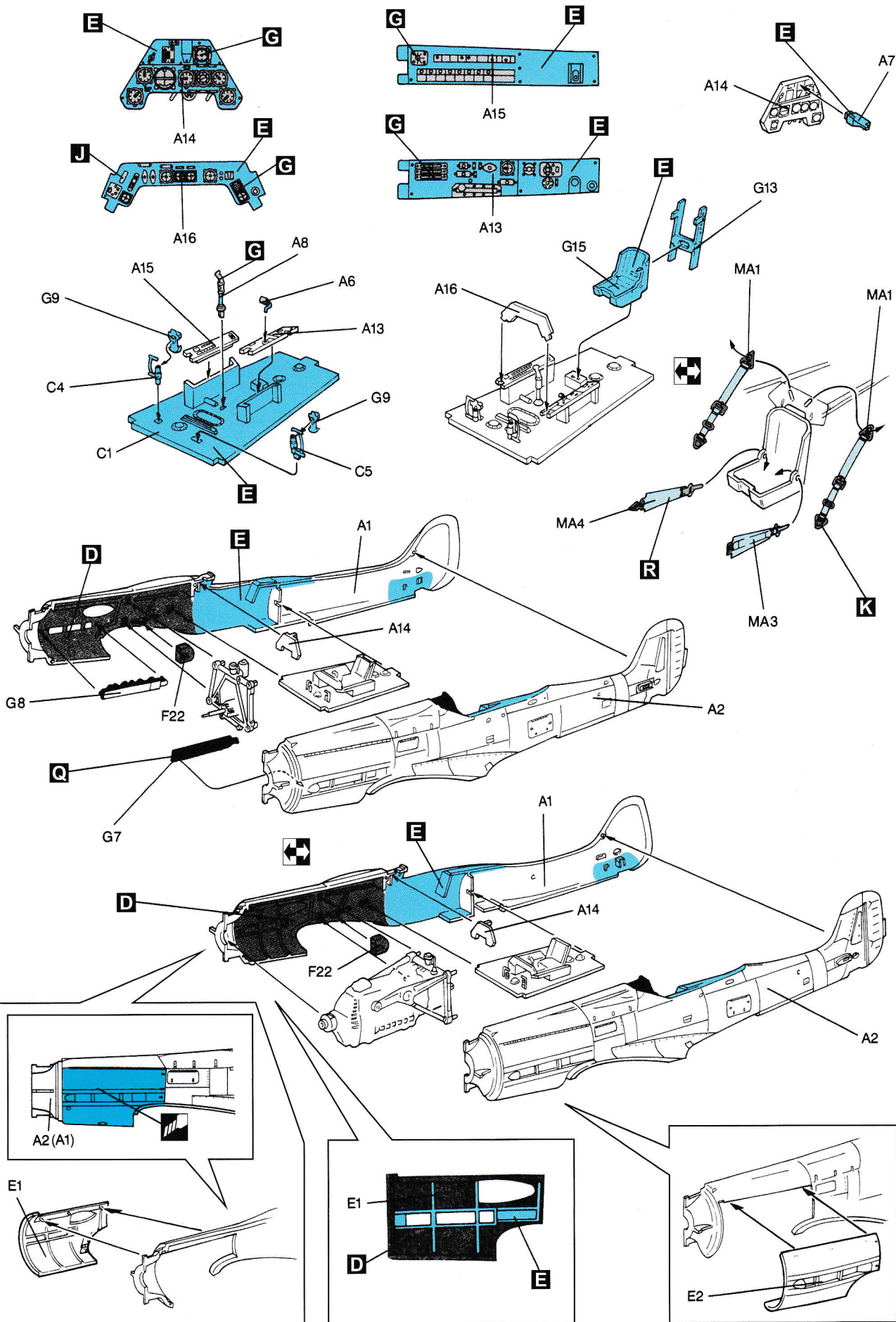
DO NOT CEMENT  
NE PAS COLLER  
NICHT KLEBEN  
NO PEGAR  
NIE SKLEJAC  
NON INCOLLARE  
NELEPIT

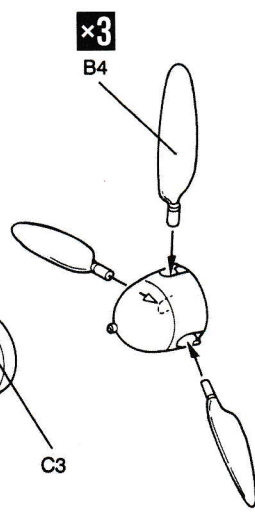
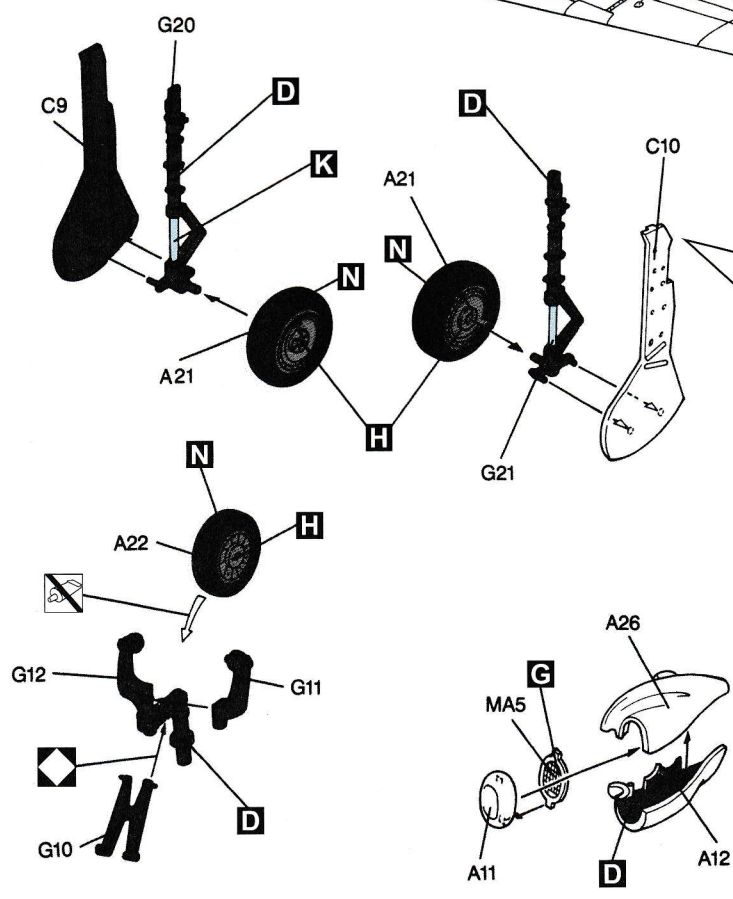
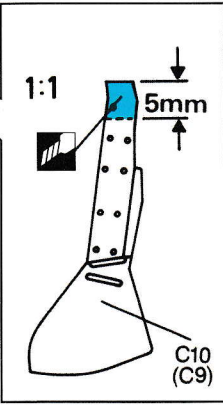
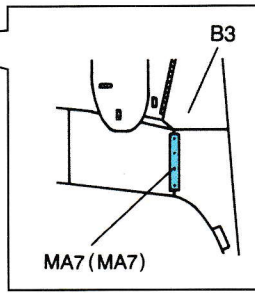
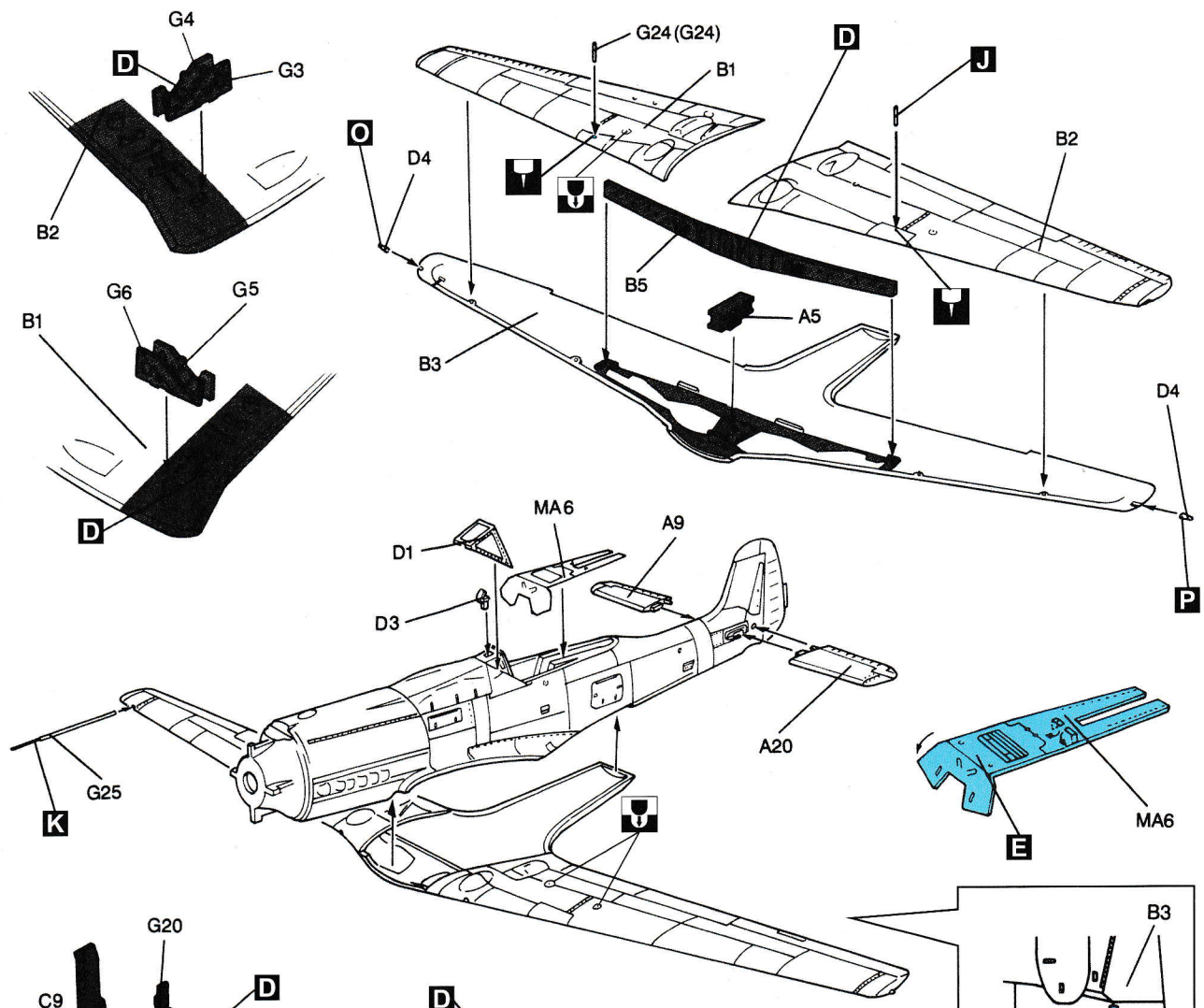
Color Chart	AK Interactive	Alclad2	AMMO	HATAKA	Mr. COLOR	Revell	TAMIYA
RLM 82 Bright Green	A RC326		230	020	122	139	
RLM 81 Dark Green	B RC324			022	123		XF-74
RLM 76 Light Blue	C RC321	E222	063	038	117	149	
RLM 02 Gray	D RC266	E202	217	023	60	145	XF-22
RLM 66 Black Gray	E RC339	E215	218	040	116	109	XF-24
Flat White	F RC004	R101	047	101	62	105	XF-2
Flat Black	G RC001	E102	046	100	33	108	XF-1
Gloss Black	H AK471	305	032		2	107	X-1
RLM 04 Flat Yellow	I RC267	E649	048	066	113	113	XF-3
RLM 23 Flat Red	J RC005	E651	049	132	79	330	XF-7
Silver	K RC020	401	195	003	8	190	X-11
Gun Metal	L RC015	120	045	106	214		X-10
Aluminium	M AK479	119	194	078	MC-218	99	XF-16
Tyre Black	N RC022	E310	033	040	137	106	XF-85
Clear Blue	O RC504	403	098	CC01	50	752	X-23
Clear Red	P RC503	401	093	CC02	47	731	X-27
Burnt Metal	Q AK484	194	187	132	61		XF-84
Olive Drab	R RC023	E617	926	018	38	361	XF-62
Leather	S AK11110	E302	133	186	44	184	XF-10
RAF Medium Sea Grey	T RC289	E003	246	034	335	143	XF-83
RLM 70 Black Green	U RC274	E216	232	015	18	140	XF-27
RAF Dark Green	V RC286	E013	915	C016	361	168	XF-81



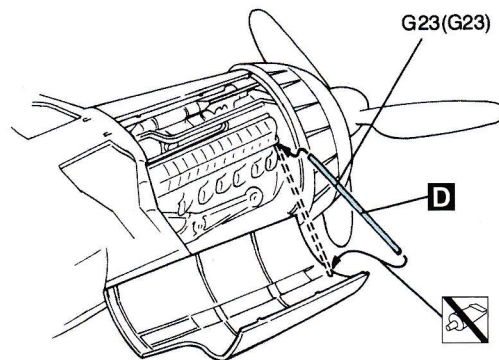
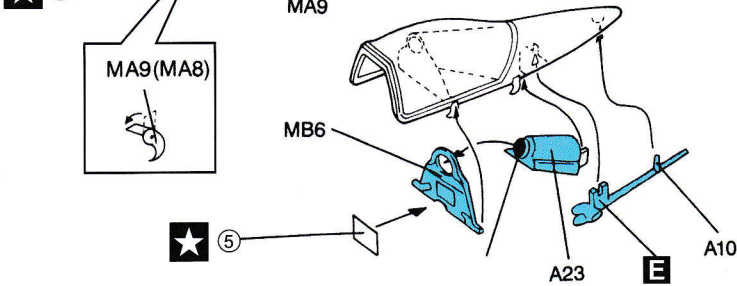
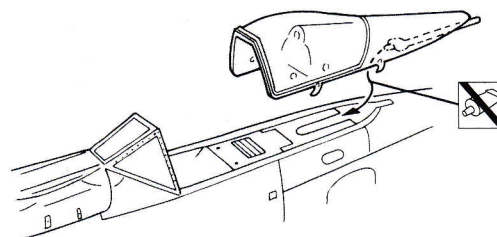
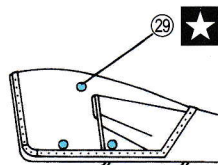
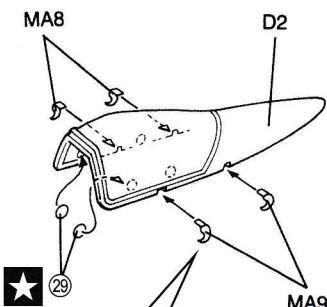
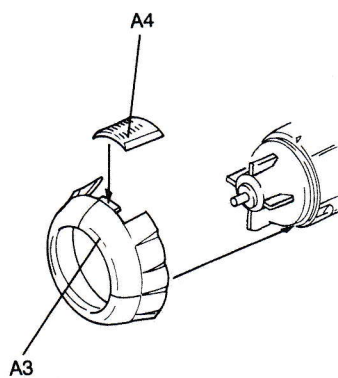
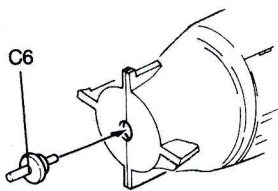
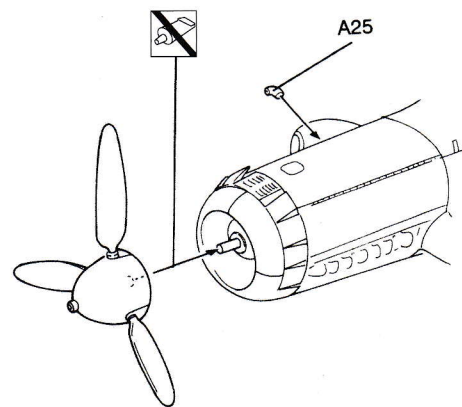
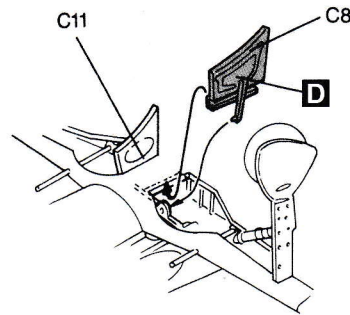
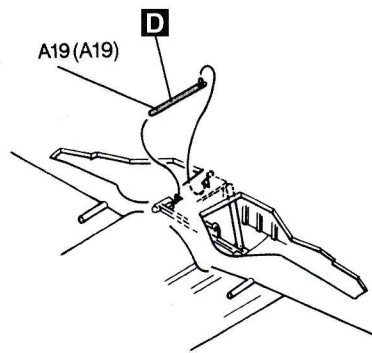
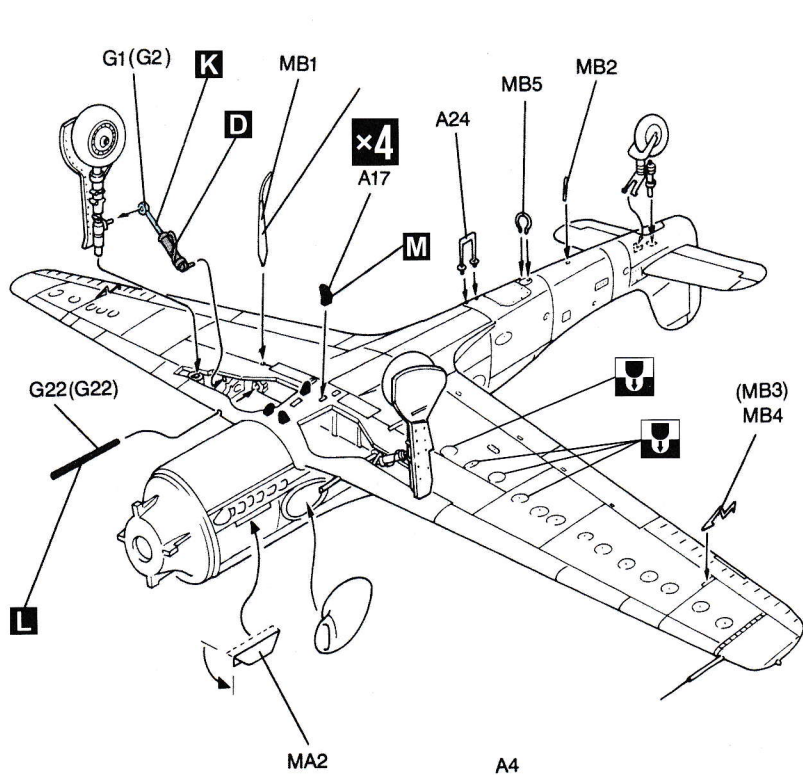


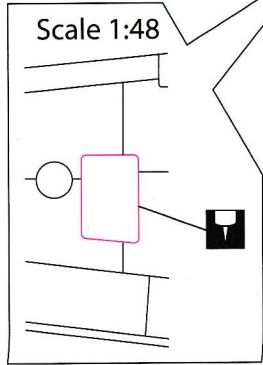
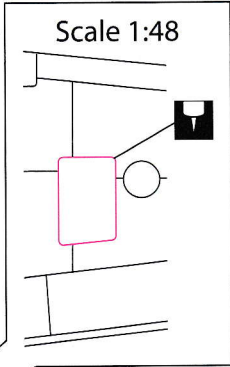
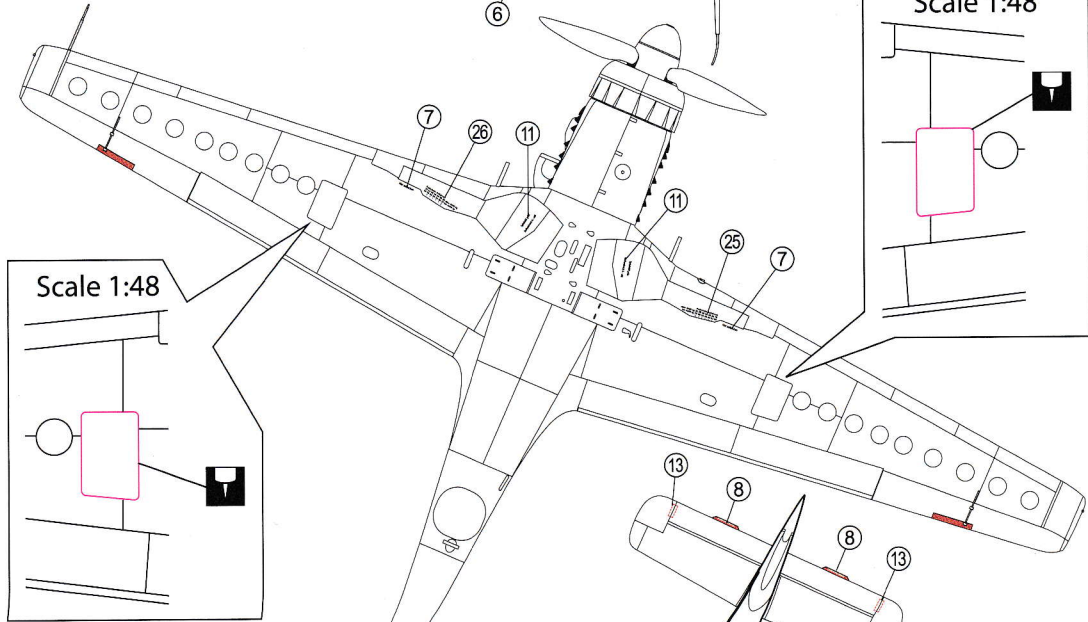
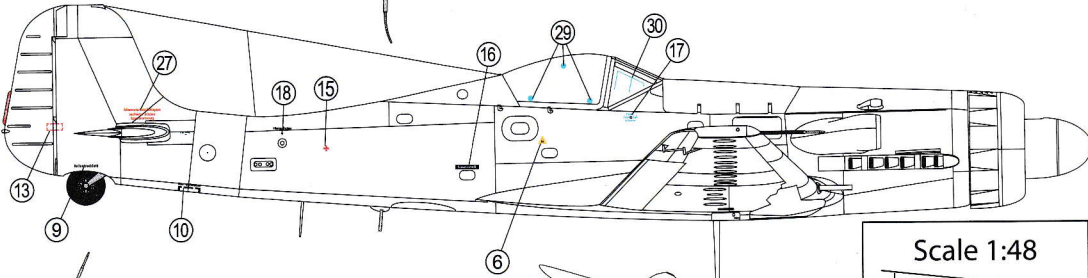
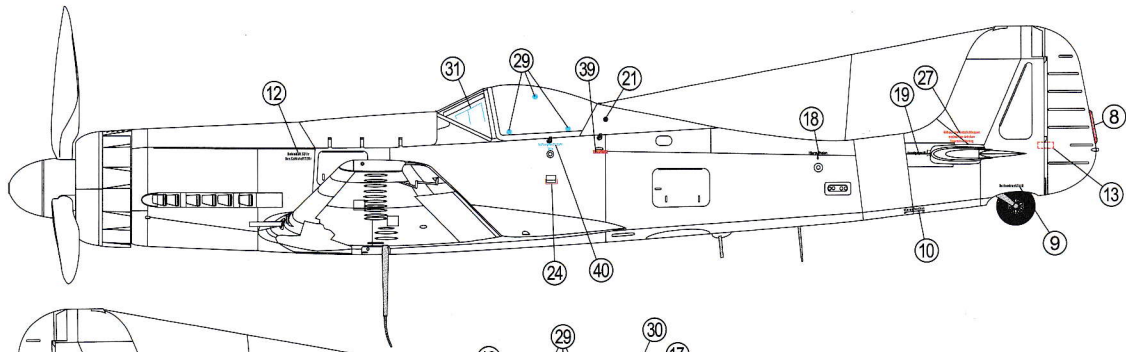








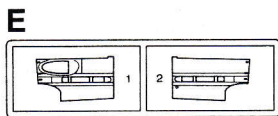
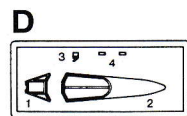
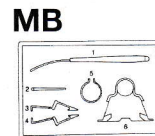
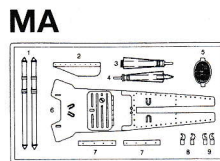
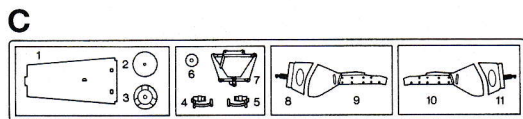
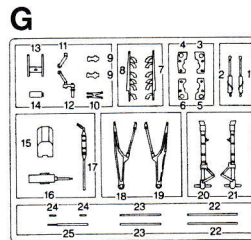
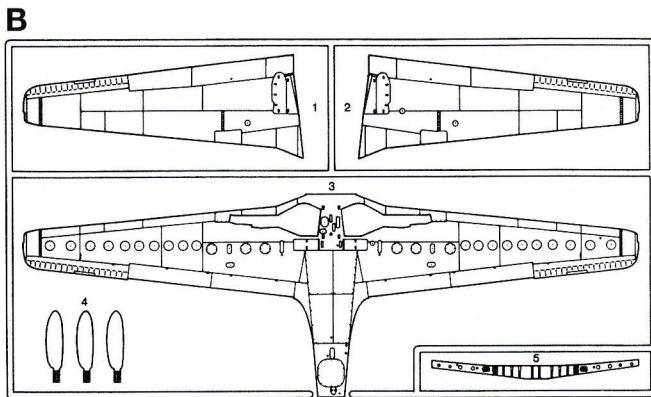
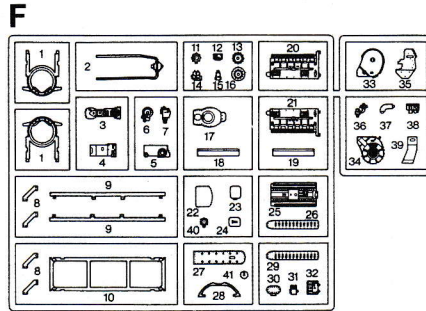
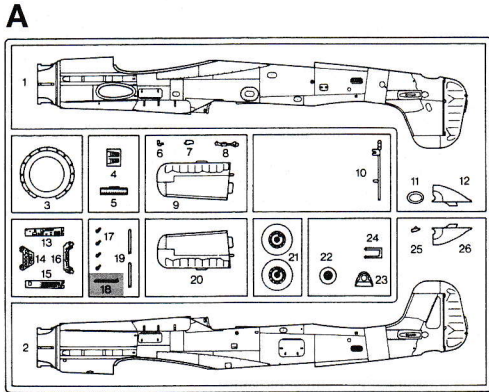






# Focke-Wulf Ta 152

## PARTS LIST



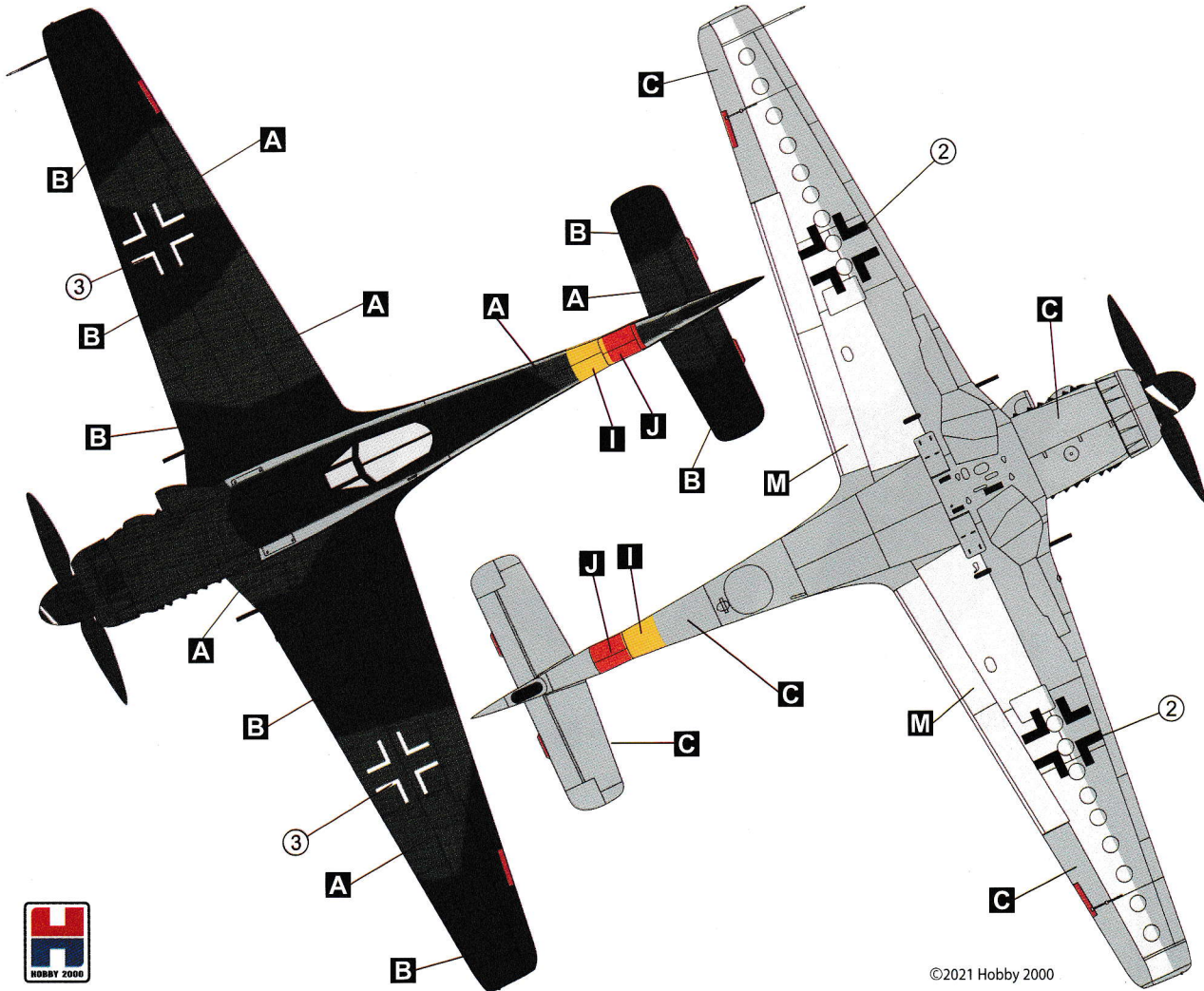
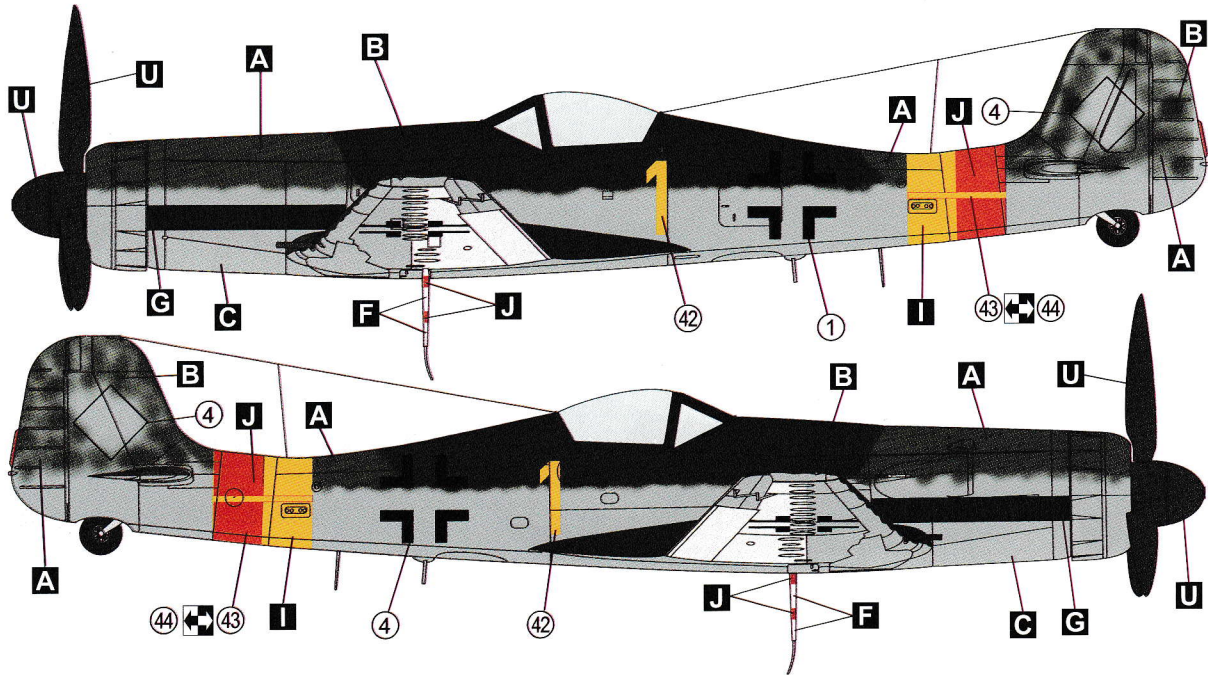
PARTS NOT FOR USE

©2022 Hobby 2000



# 48017 Focke-Wulf Ta 152 H-0

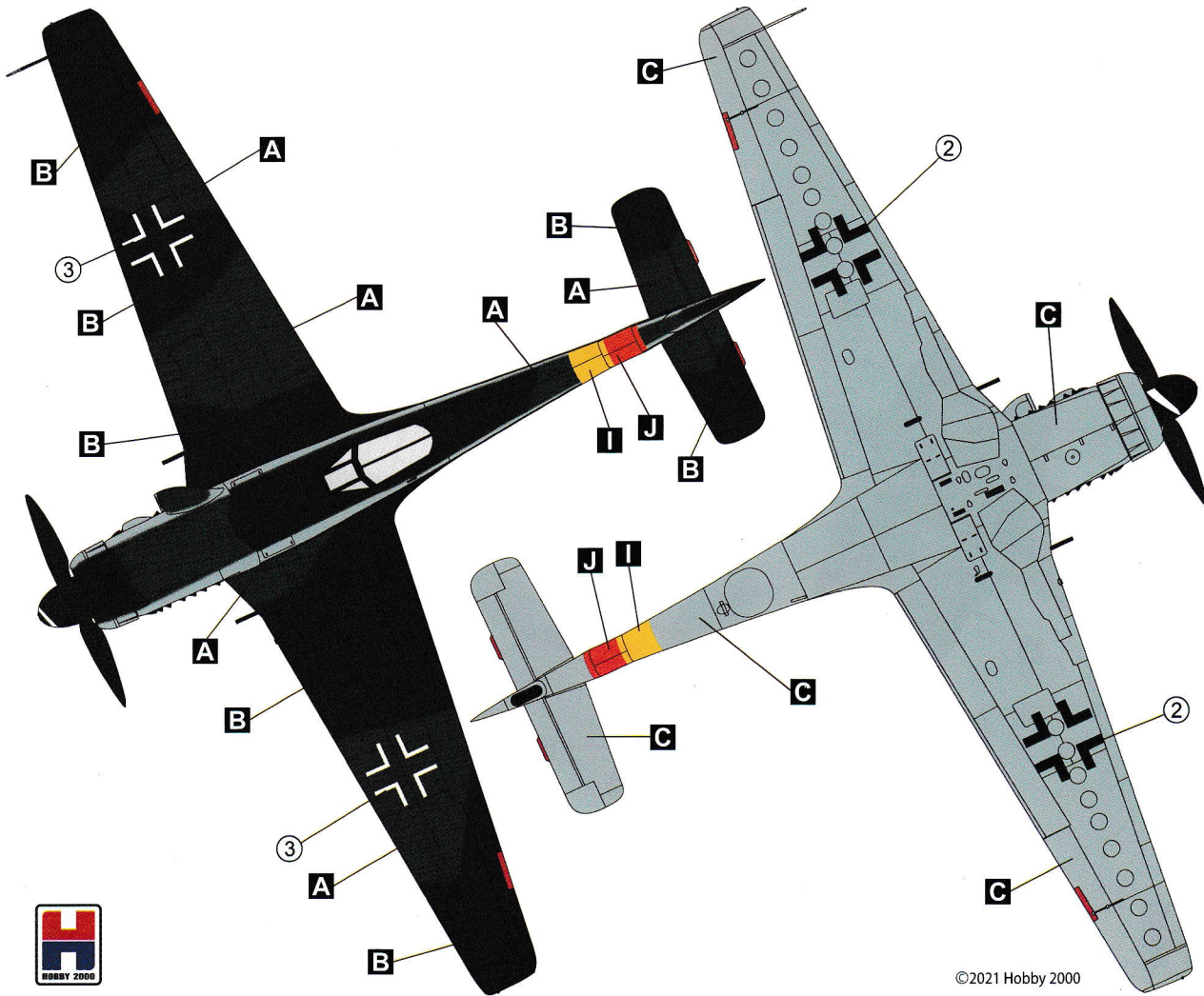
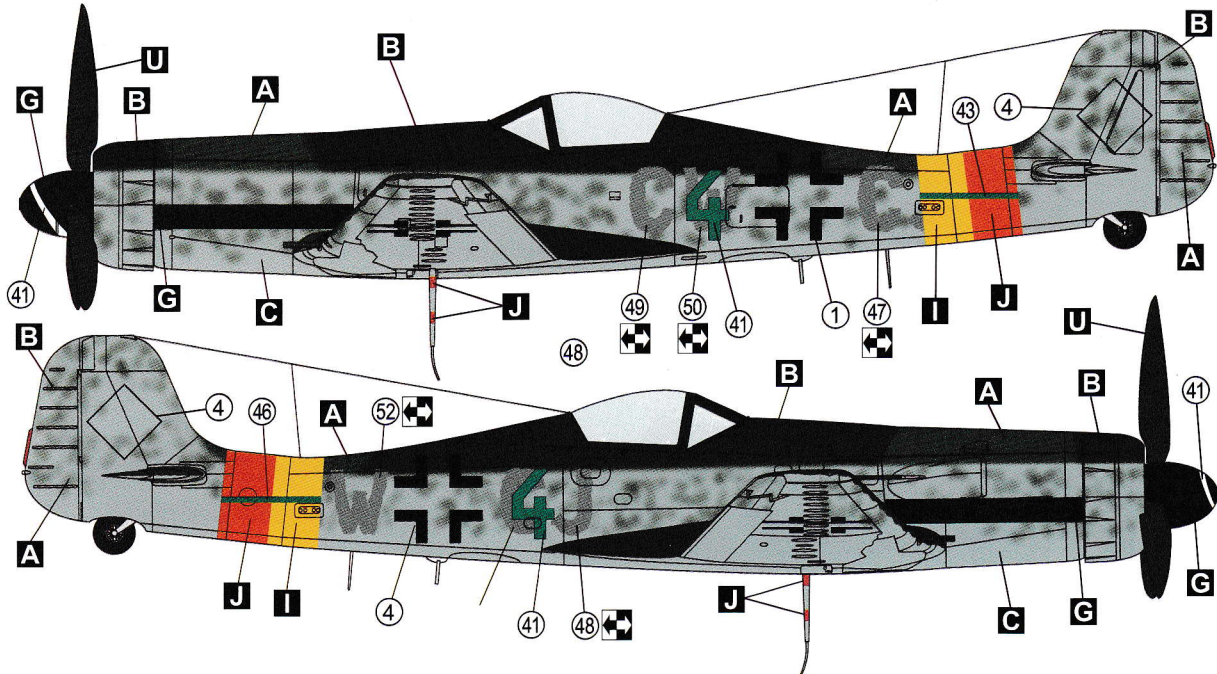
**I** Ta 152 H-0, Yellow 1, 11./JG 301, Altano, February 1945.





# 48017 Focke-Wulf Ta 152 H-0

**2** Ta 152 H-0, WNr. 150010, Green 4, Stab/JG 301, Leck, April 1945



©2021 Hobby 2000