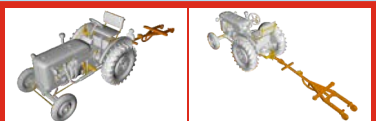


1/48 Excellent Resin and 3D Printed Kits and Figures by Special Hobby



8063 1/48

Zetor 25 'Military w/Towbar for MiG 15/17s'
All resin tractor kit, contains photo-etched parts, 3D printed parts and decals



8067 1/48

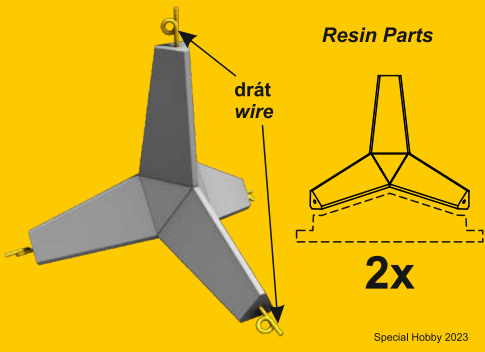
Anhänger E-3 'German WWII 3t trailer'
All resin trailer kit, contains photo-etched parts, 3Dprinted parts and decals

RAF WWII Fighter Pilot (1942)



F48383 1/48

8066 1/48 **Concrete Hedgehog** WWII Anti-tank Barrier (2 pcs)



Resin Parts

drát wire

2x

Special Hobby 2023



CZECH MASTER'S KITS

MADE IN THE CZECH REPUBLIC

DETAILNÍ 3D TISŤENÁ STAVEBNICE

DETAILED 3 PRINTED KIT



MADE IN THE CZECH REPUBLIC

Elektrischer Generator 8kw für Flak Sw-36 mit Sd.Ah.51



8070 1/48



CZECH MASTER'S KITS

MADE IN THE CZECH REPUBLIC

60 cm Flak Scheinwerfer (Flak Sw-36) mit Sd.Ah.51 'Světlomet 60N s vlekem'

DETAILNÍ 3D TISŤENÁ STAVEBNICE

DETAILED 3 PRINTED KIT

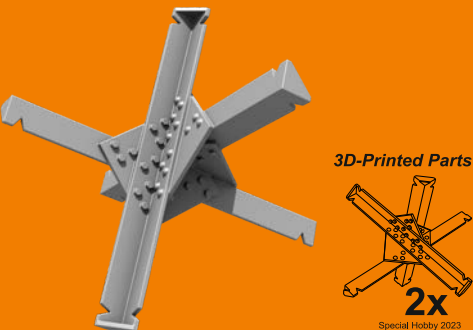


MADE IN THE CZECH REPUBLIC



8069 1/48

P48008 Czech Hedgehog (Rozsocháč) - WWII Anti-tank Barrier (2 pcs)



3D-Printed Parts

2x

Special Hobby 2023



Odlévaný model / All resin kit

8065 1/48

Humber LRC Mk.II

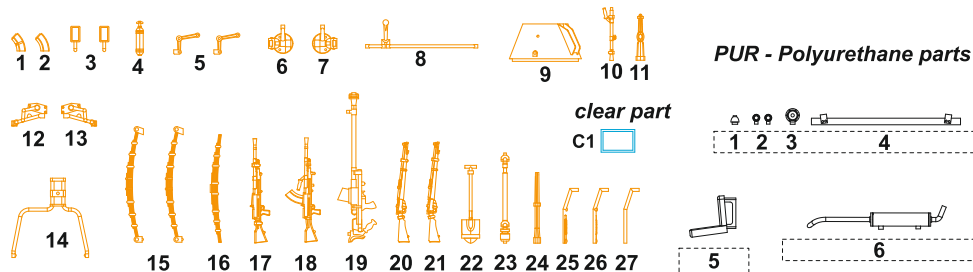
Visit our official website and e-shop at

www.cmkkits.com
www.specialhobby.eu



www.facebook.com/specialhobby

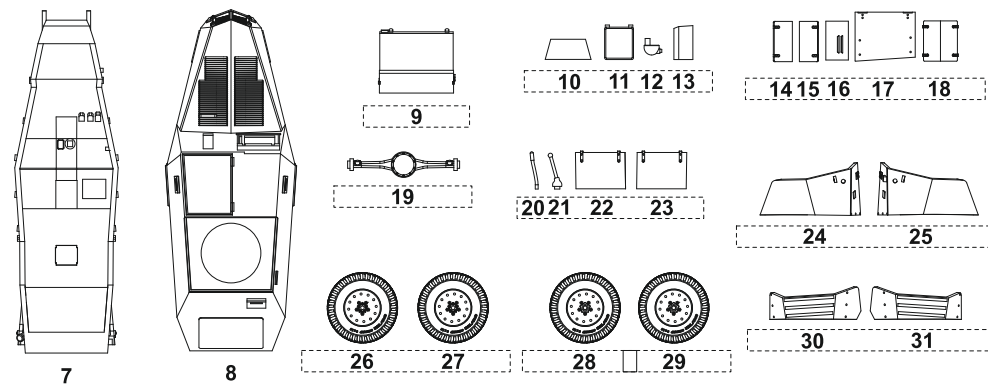
3D-Printed Parts



PUR - Polyurethane parts

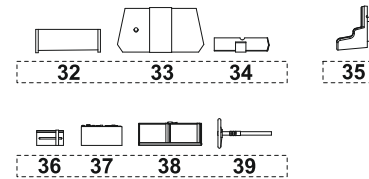
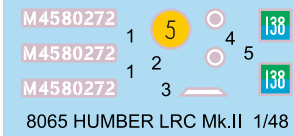
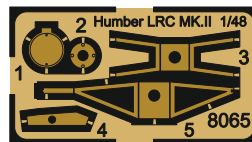
clear part

C1



PE - Photo-etched parts

Obtisky / Decals



Resinové díly ohnuté popř. pokroucené vlivem teplotních změn a stárnutí materiálu, mohou být narovnány do požadovaného tvaru pomocí proudu teplé vody nebo vzduchu (fén na vlasy). Ohnuté 3D tisky narovnejte ponořením do horké vody, srovnejte je a zchladte studenou vodou. K lepení použijte kyanoakrylátové lepidlo! Kontaktní plochy doporučujeme před lepením odmastit. Různé drátky a tyčinky nejsou přiloženy.

Parts slightly distorted and bent owing to temperature changes or due to material aging can be straightened to requested shape by hot water or hot air jet (hair dryer). This process can be repeated till result is entirely satisfactory. You can also correct bent 3D printed parts: put them into hot water, straighten them and cool them in cold water. For best result use cyanoacrylate glue! Ungreasing contact areas is recommended before gluing. Wires and rods not included.

Producer: Special Hobby, Mezilesí 718, 193 00 Praha 9, Czech Republic

SYMBOLS



MOŽNOST VOLBY
OPTIONAL
NACH BELIEBEN
OPTION



POUŽÍTKYANOAKRYLÁTOVÉ LEPIDLO
INSTANT CYANOACRYLATE GLUE
ZYANOAKRYLATKLEBER
ADHESIF CYANOACRYLAT



OHNOUT
BEND
BIEGEN
COURBER



ZHOTOVIT NOVÉ
SCRATCH BUILD
FERTIGSTELLEN
ACHEVER

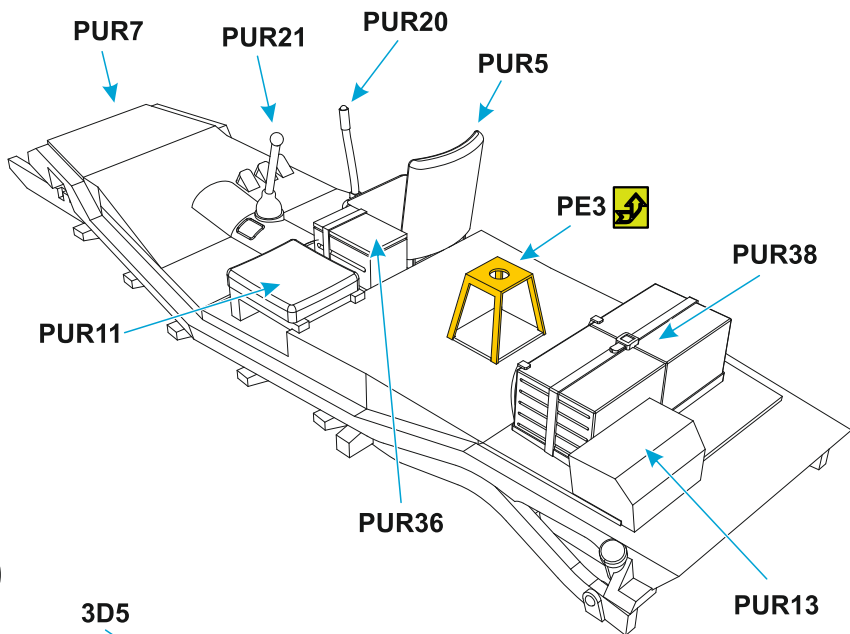


ŘEZAT/VRTAT
CUT OFF/DRILL
ENTFERNEN
DETACHER

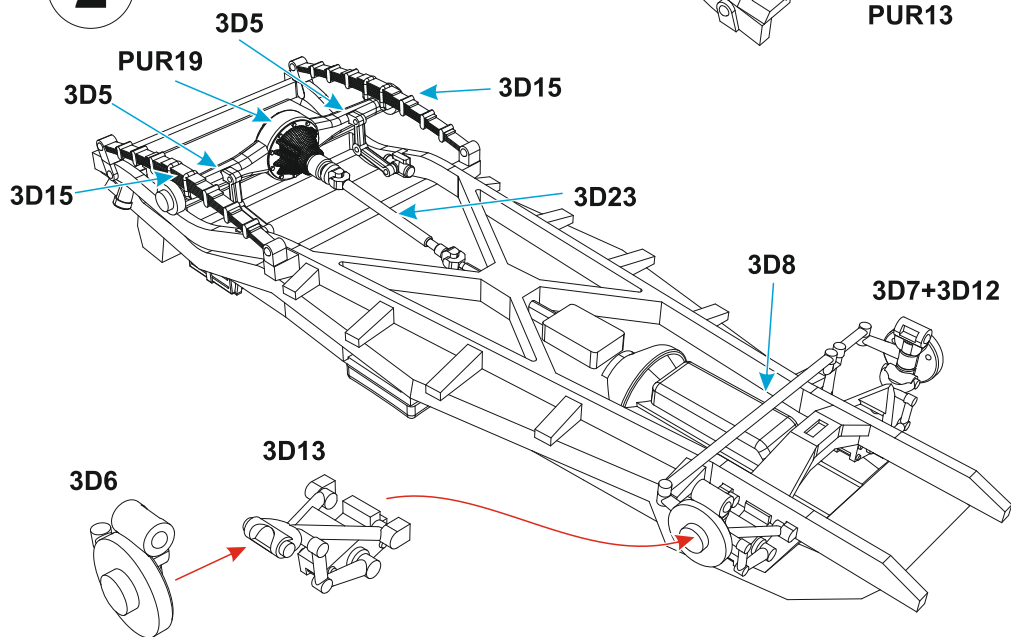
GSI
colours code

NATRÍT
COLOUR
FARBEN
PEINDRE

1



2



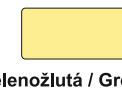
UK Dark Green No.4



UK Khaki Green No.3

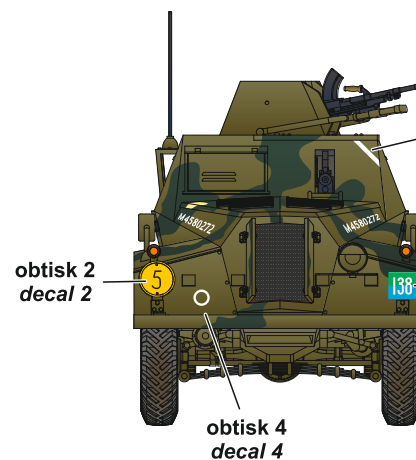
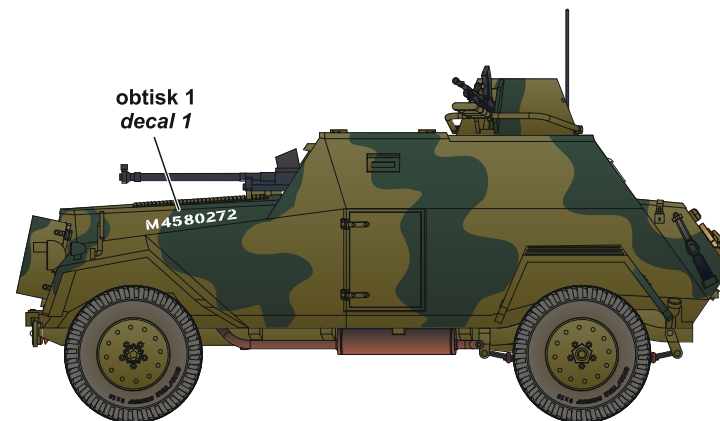
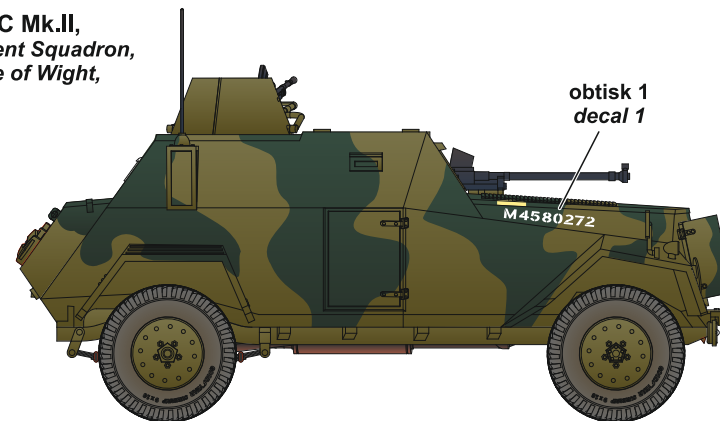


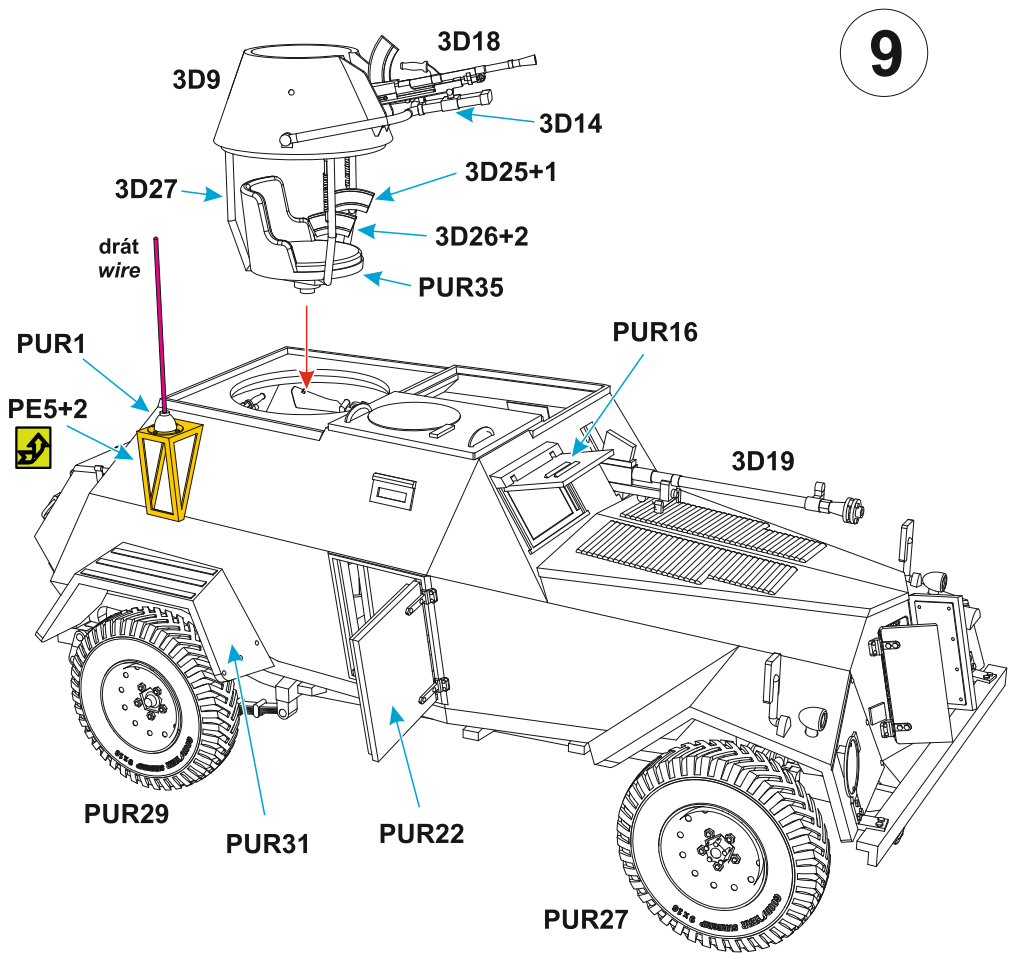
Barva hlavní / Gun Metal



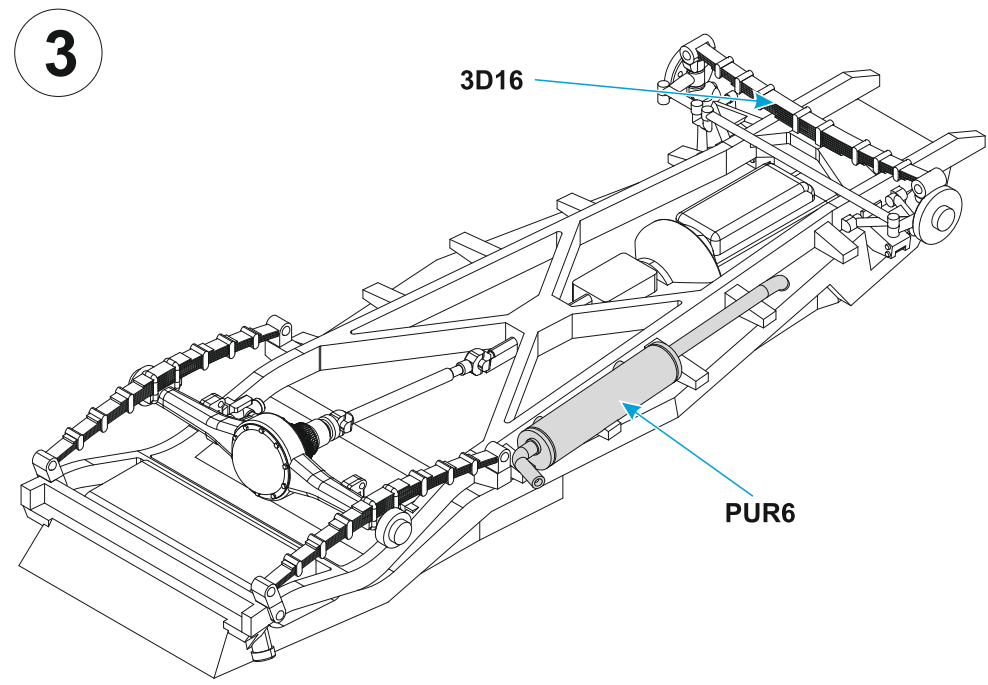
Zelenožlutá / Green-Yellow

Humber LRC Mk.II,
29 Independent Squadron,
Shanklin, Isle of Wight,
March 1942

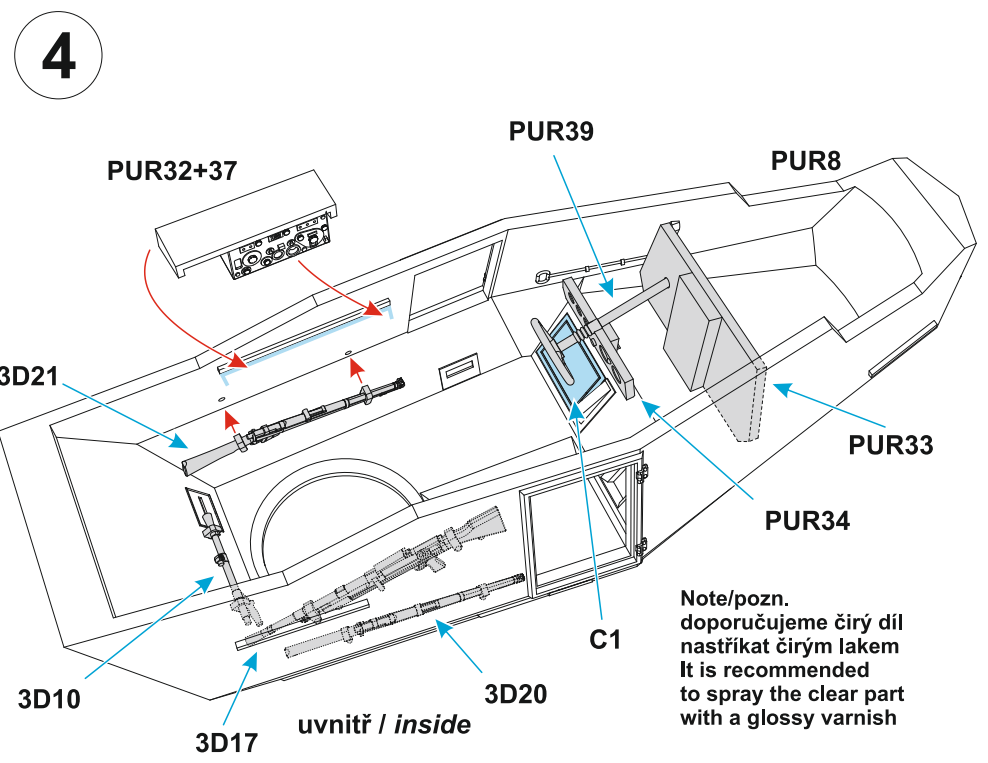




9



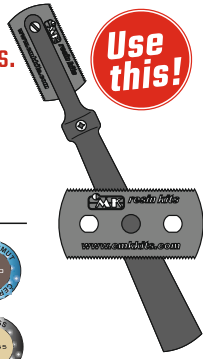
3



4

The Razor Saw with Handle (cat. n. H1010) is a great tool for cutting both plastic and resin. CMK also offers a wide variety of coarse/medium/fine saws.

- | | | |
|---|--|---|
| H1000 Ultra smooth and extra smooth saw (2 sides – 70 teeth / 42 teeth) 1 pc | H1003 Smooth saw (both sides – 31 teeth / 31 teeth) 1 pc | H1006 Very smooth saw (both sides – 42 teeth / 42 teeth) 5 pcs |
| H1001 Ultra smooth saw (both sides – 70 teeth / 70 teeth) 1 pc | H1004 Ultra smooth and extra smooth saw (2 sides – 70 teeth / 42 teeth) 5 pcs | H1007 Smooth saw (both sides – 31 teeth / 31 teeth) 5 pcs |
| H1002 Very smooth saw (both sides – 42 teeth / 42 teeth) 1 pc | H1005 Ultra smooth saw (both sides – 70 teeth / 70 teeth) 5 pcs | H1010 Razor Saw with Handle |



PIGMENTS
for your
kits



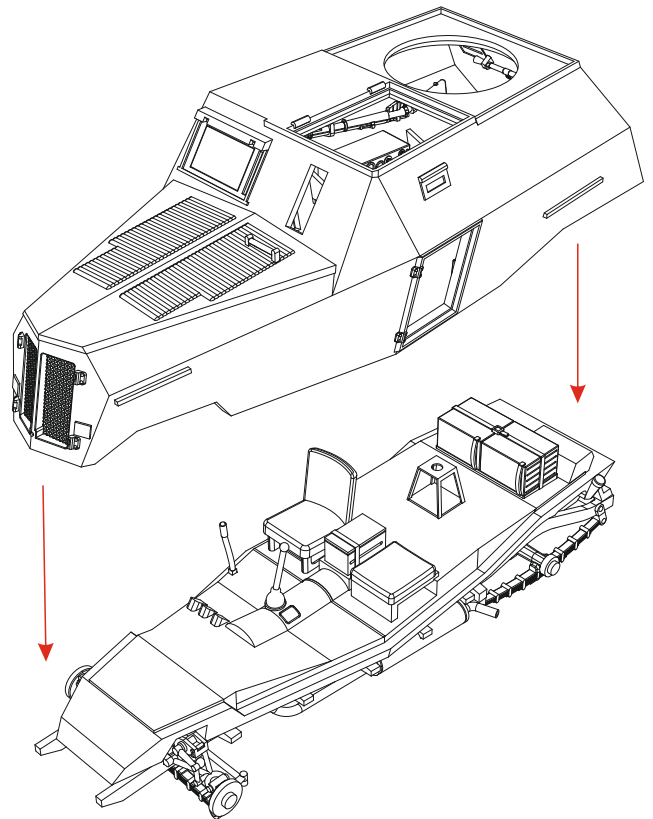
Special HOBBY

facebook.com/specialhobby
WWW.SPECIALHOBBY.EU | WWW.CMKKITS.COM

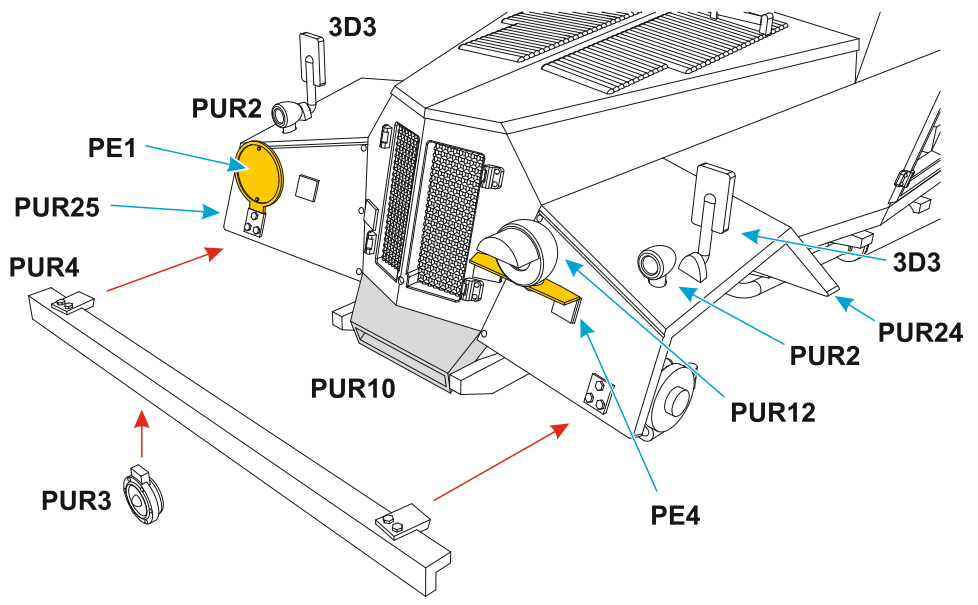


Note/pozn.
doporučujeme čirý dil
nastříkat čirým lakem
It is recommended
to spray the clear part
with a glossy varnish

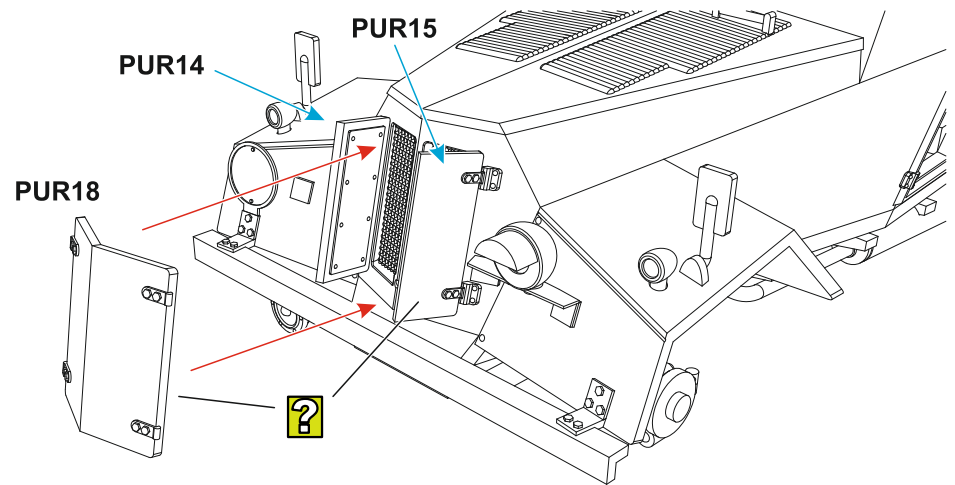
5



6



7



8

