

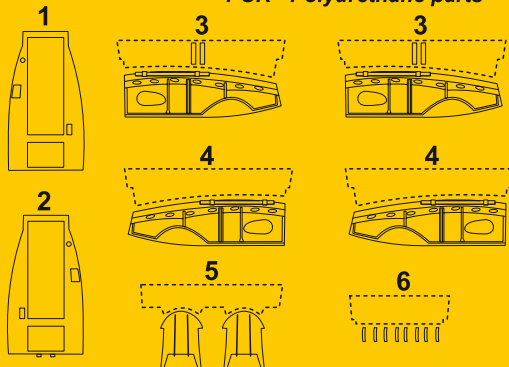
www.facebook.com/specialhobby/

7438
1172

**Beaufighter TF Mk.X
Main Undercarriage Bays
Correction**
for Airfix kit



PUR - Polyurethane parts



© Special Hobby 2020

Díly ohnuté popř. pokroucené vlivem teplotních změn a stárnutí materiálu, mohou být narovnané do požadovaného tvaru pomocí proudu teplé vody nebo vzduchu (fén na vlasy).

Parts slightly distorted and bent owing to temperature changes or due to material ageing can be straightened to requested shape by hot water or hot air jet. (hair dryer)

This process can be repeated till result is entirely satisfactory.

K lepení použít kyanoakrylátové lepidlo!

Use cyanoacrylate (super) glue!

Kontaktní plochy doporučujeme před lepením odmastit.

It is recommended to ungreetse the mating surfaces before assembly.

Visit our official website and e-shop at

www.cmkkits.com

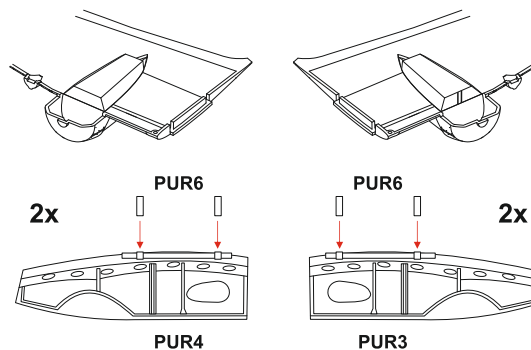
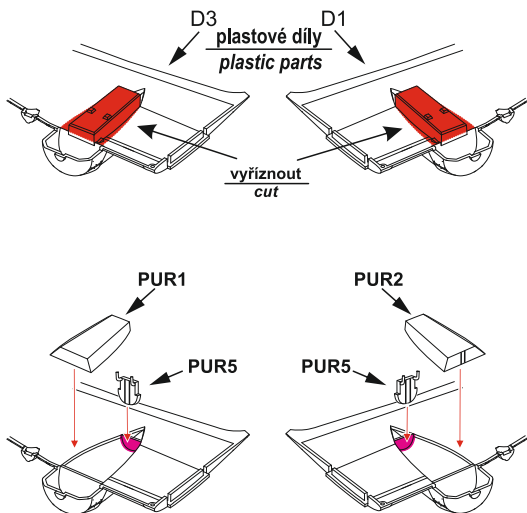
www.specialhobby.eu



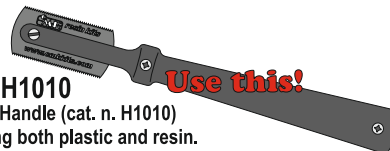
Other 1/72 Sets

- 7442 AN/M2 Browning Cal. .50 / 12.7 mm Fixed-Mounted Aircraft Gun (4 pcs.)
- 7437 Beaufighter TF Mk.X Cockpit, for Airfix kit
- 7439 Beaufighter TF Mk.X Dinghy Set, for Airfix kit
- 7434 F4F-4 Wildcat Interior, for Airfix kit
- 7435 F4F-4 Wildcat Dinghy Set, for Airfix kit
- 7425 Hudson Mk.I-V cockpit
- 7416 Palouste Mk.101/102 – Jet Air Starter Trolley and Airborne Pod
- Q72360 Supermarine Swift Ejection Seat (M.B. Mk.2), for Airfix kit
- Q72359 A-20 Havoc/Boston Wing Racks and Bombs, for SH kits

Special Hobby, Mezilesí 718, CZ - Praha 9,193 00, Czech Republic
e-mail: office@specialhobby.eu



Nahrad'te plastové díly resinovými
Replace plastic parts with PUR parts



CMK H1010

The Razor Saw with Handle (cat. n. H1010) is a great tool for cutting both plastic and resin.

CMK also offers a wide variety of coarse / medium / fine saws.