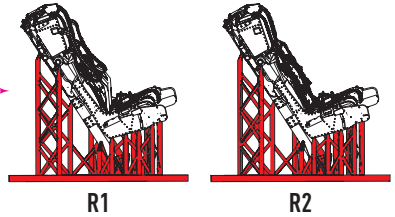
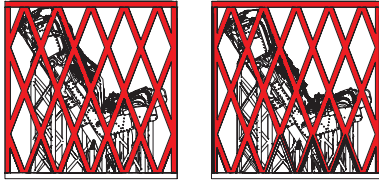
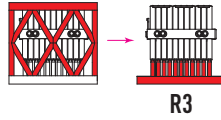


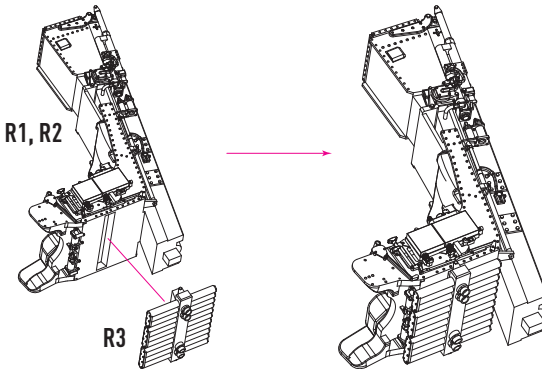
**CUT**

**REMOVE  
 PROTECTIVE COVER**

USE A SAW TO REMOVE SUPPORTS  
 FROM 3D PRINTED PARTS



**1**



**2**

