

ADVANCED KIT

AIRPLANES SERIES

P-47D-25RE THUNDERBOLT

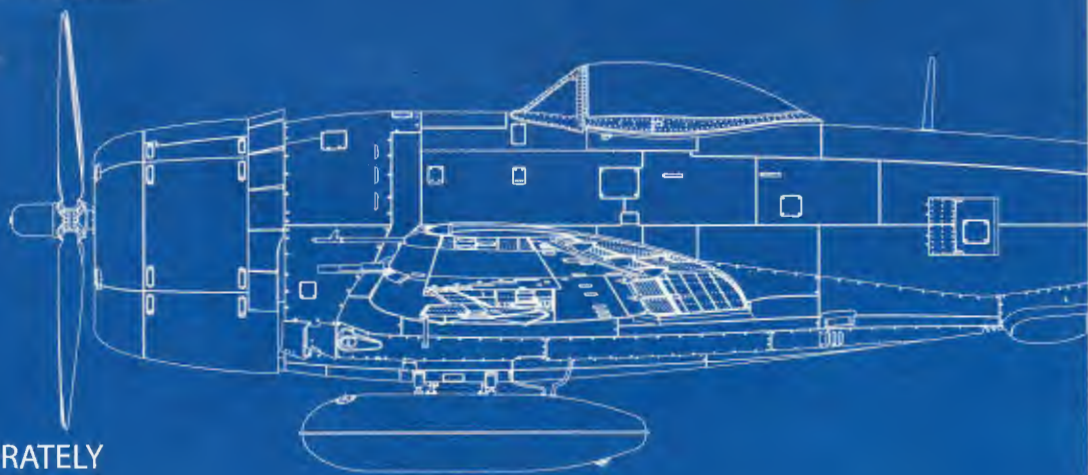
48001



**SCALE
1:48**

GENERAL INSTRUCTION

- HIGHLY DETAILED PLASTIC MODEL KIT
- PHOTO-ETCHED PARTS INCLUDED
- CLEAR PLASTIC PARTS INCLUDED
- HATCHES CAN BE ASSEMBLED IN OPEN OR CLOSED POSITION
- 3 TYPES OF WHEELS INCLUDED
- ENGINE & COMBAT COMPARTMENT ACCURATELY REPRESENTED IN THE MODEL
- DECAL SHEET FOR 3 VARIANTS



1 62nd Fighter Squadron 56th Fighter Group, 8th Air Force. July 1944
Pilot: Capt. Frederick Joseph Christensen Jr.



2 61st Fighter Squadron 56th Fighter Group, 8th Air Force, June 1944
Pilot: Lt. Col. Francis Stanley "Gabby" Gabreski

ADVANCED KIT



3 82nd Fighter Squadron 78th Fighter Group "The Duxford Eagles",
8th Air Force. Duxford, September 1944 Pilot: Capt. Ben Mayo



UWAGA

Przy stosowaniu kleju i farb wszystkie prace należy wykonywać w przewiewnym miejscu z dala od źródeł ognia. Oddziel części od wleków nożem lub innym ciętlem narzędzie. Oczyszczaj lampę błyskową i wytnij punkty pilnikiem igłowym i papier ścierny. Złóż modele zgodnie z schemat montażu.

Dla ułatwienia montażu każda część jest oznaczona numerem. Po złożeniu zestawu mogą pozostać niewykorzystane części.

УВАГА

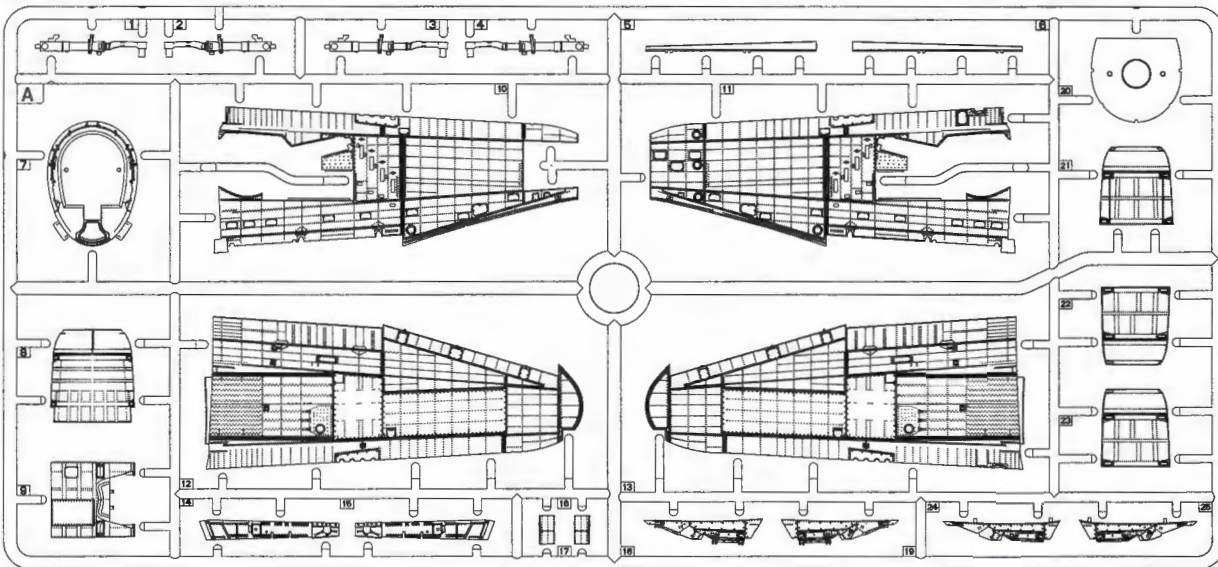
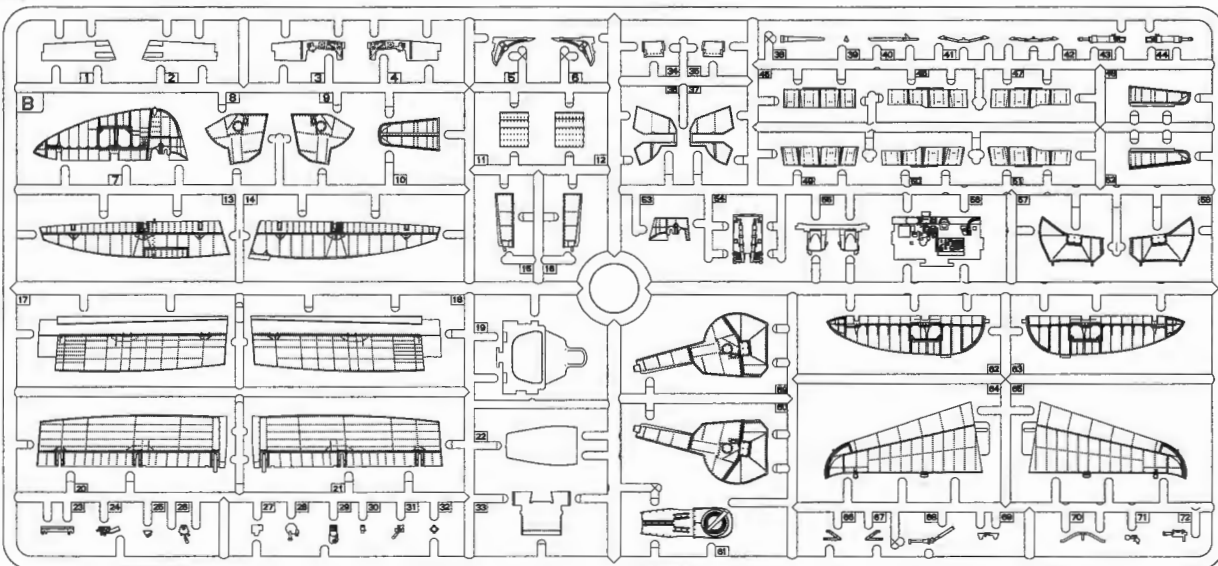
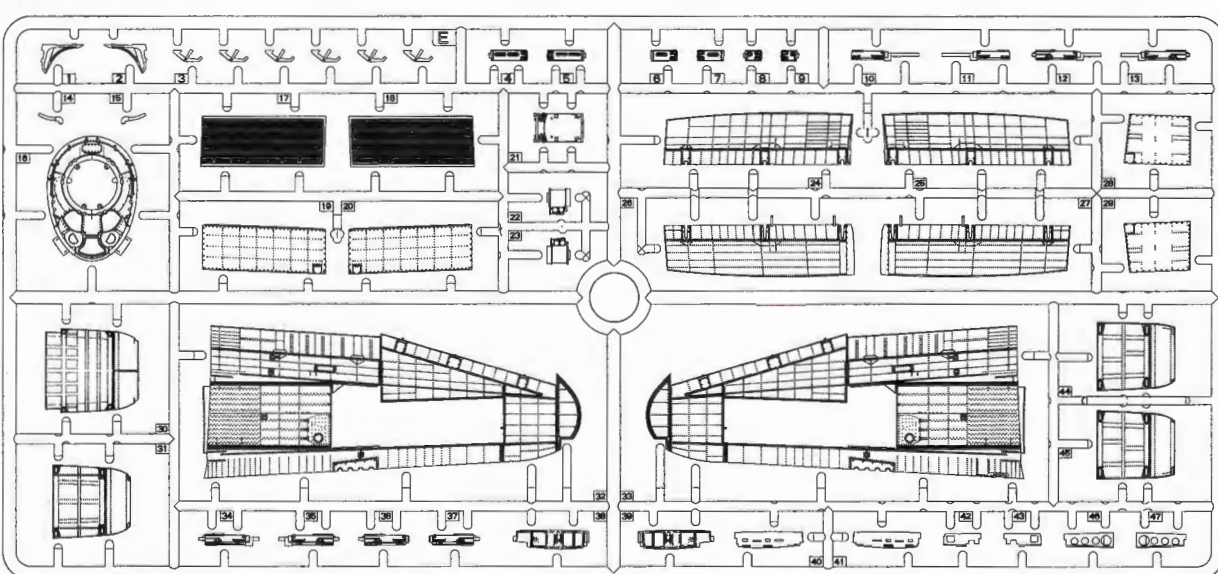
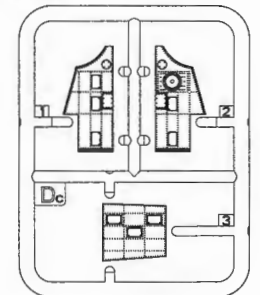
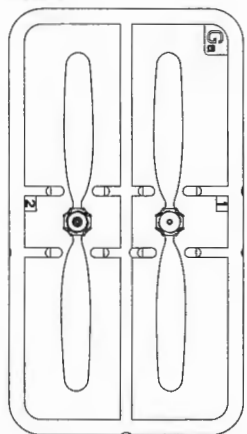
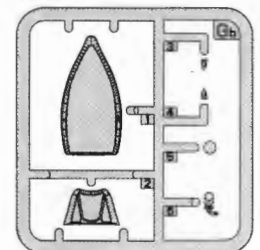
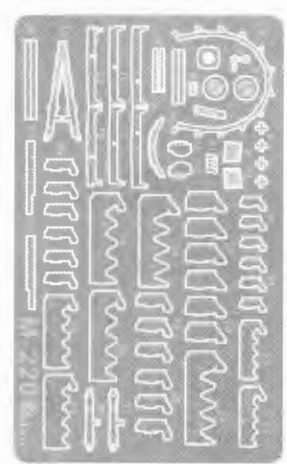
При використанні клею та фарб всі роботи проводити подалі від джерел вогню у приміщенні, що добре провітрюється. Деталі відокремлювати від літників ножем або іншим ріжучим інструментом. Зачистити облой і місця зрізу за допомогою надфілью та наждачного паперу. Будівництво моделі виконувати згідно зі схемою. Для зручності побудови кожна деталь позначена номером.

Після складання можуть залишитися невикористані деталі.

CAUTION

When you use glue or paint, do not use near open flame, and use in well ventilated room. When you take parts off from the runner frame, use modeling scissors or cutter.

See the bottom of this column for the meaning of symbols. Extra details can remain after assembling of the kit.

PARTS**A****B****E****Dc****Ga****Gb****Clear Parts****PE M-220**

x2

POWTOŹ DWA RAZY
MAKE 2PCS
2 TEILE FERTIGEN
EFFECTUER 2 PIECES
FARE DUE PEZZI
TEE 2 KPL
GÖR 2 ST
КІЛЬКІСТЬ РАЗІВ



NIE UŻYWAJ KLEJU
DO NOT CEMENT
NICHT KLEBEN
NE PAS COLLER
NON INCOLLARE
EILIMÄÄ
LIMMAEJ
HE KLEITI



OPCJE
OPTIONAL
NACH BELIEBEN
FACULTATIF
FACOLTATIVO
VALINNANVARAINEN
VALBAR
ВАРІАНТИ



ZROBIC DZIURE
OPEN HOLE
OFFNEN
FAIRE UN TROU
FORO APERTO
AVAA REIKA
ÖPPNÄ HALET
ЗРОБИТИ ОТВІП



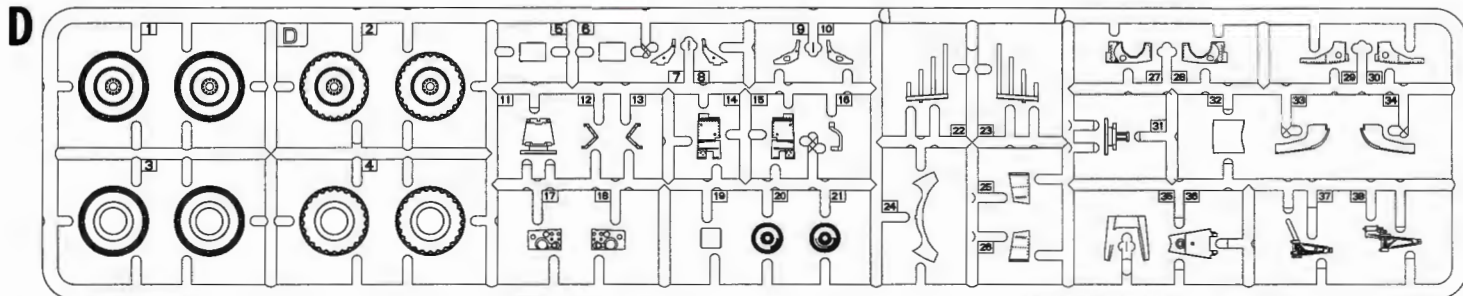
ODCIĄC
REMOVE
ENTFERNEN
RETIRER
SEPARARE
POISTA
AVLÄGSNA
ВІДРІЗАТИ



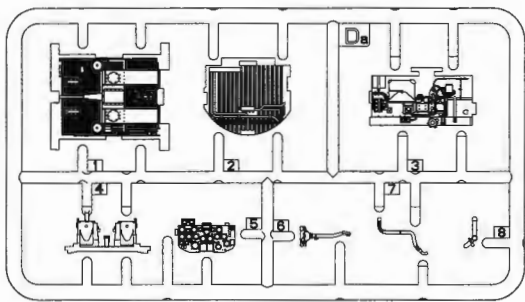
ZGINĄĆ
BEND
BITTE BIEGEN
PLIER S'IL VOUS PLAIT
PIEGARE
TATA
BOCKA
ВИГНУТИ



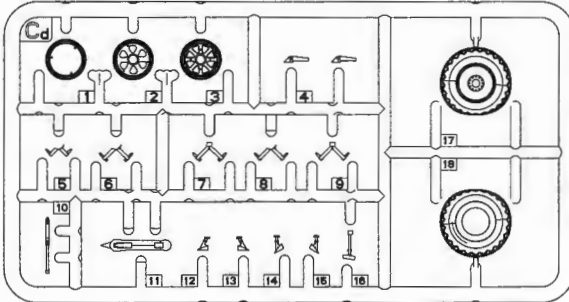
ZROB TO SAM
SCRATCH-BUILD
AM MEISTEN ZU MACHEN
FAIRE LE PLUS
RENDITI
TEE ITSE
GÖR DIG SJÄLV
ЗРОБИТИ САМОМУ



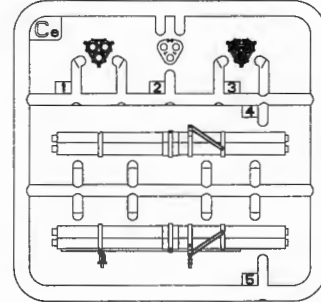
Da



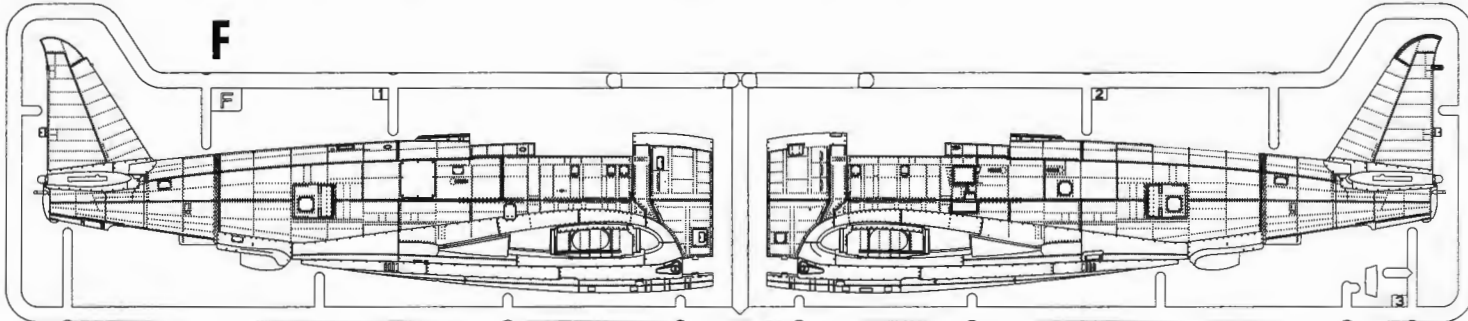
Cd x2



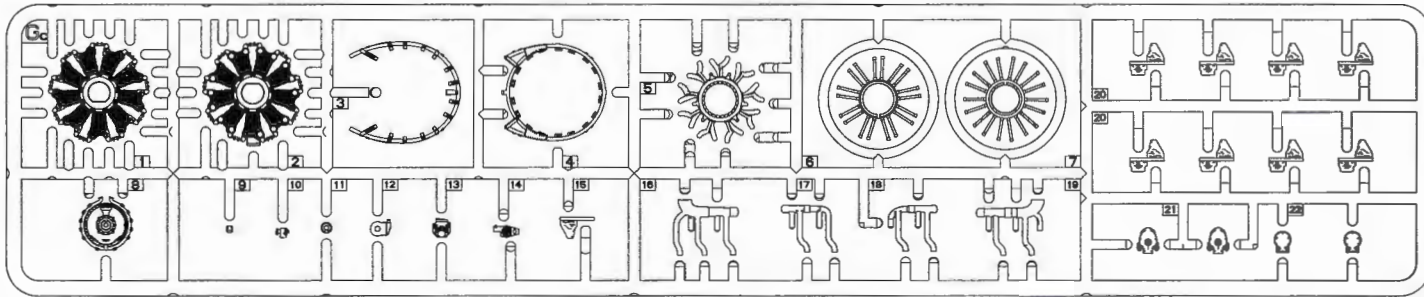
Ce x2



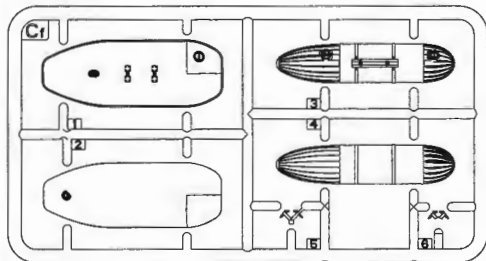
F



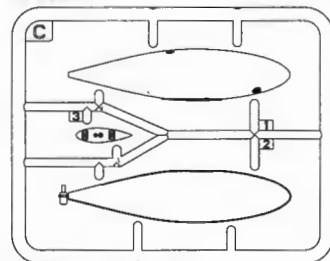
Gc



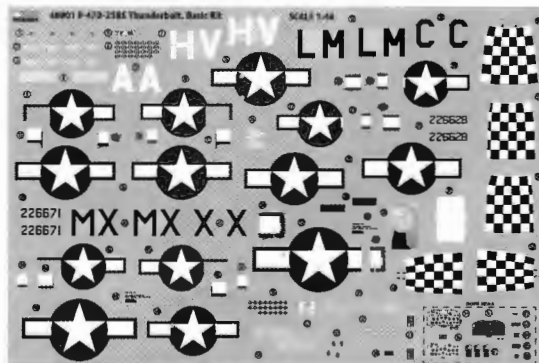
Cf x2



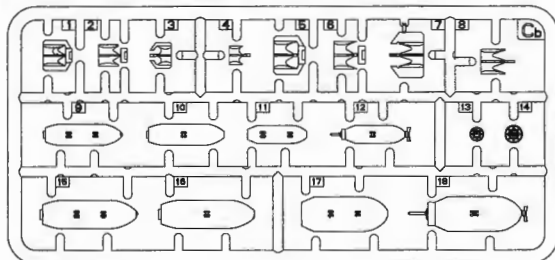
Cx2



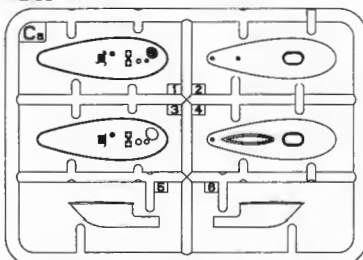
Decal Sheet



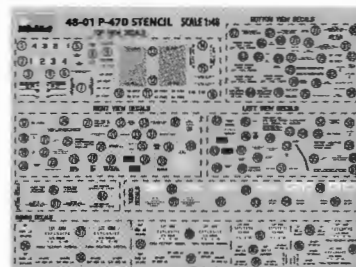
Cb x2



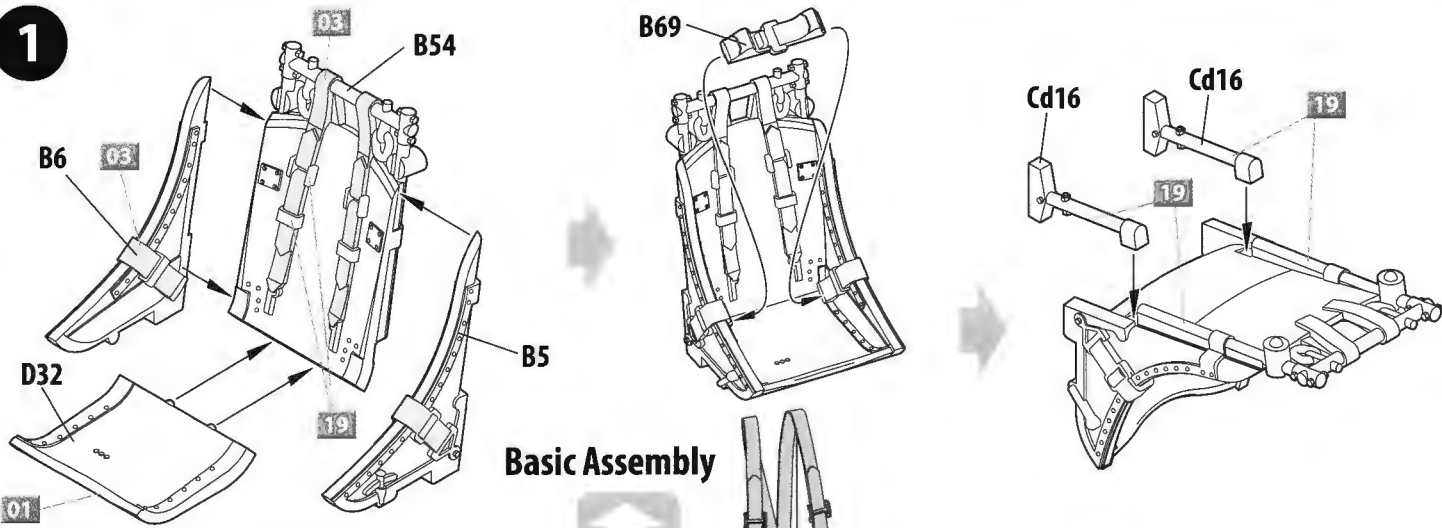
Ca x2



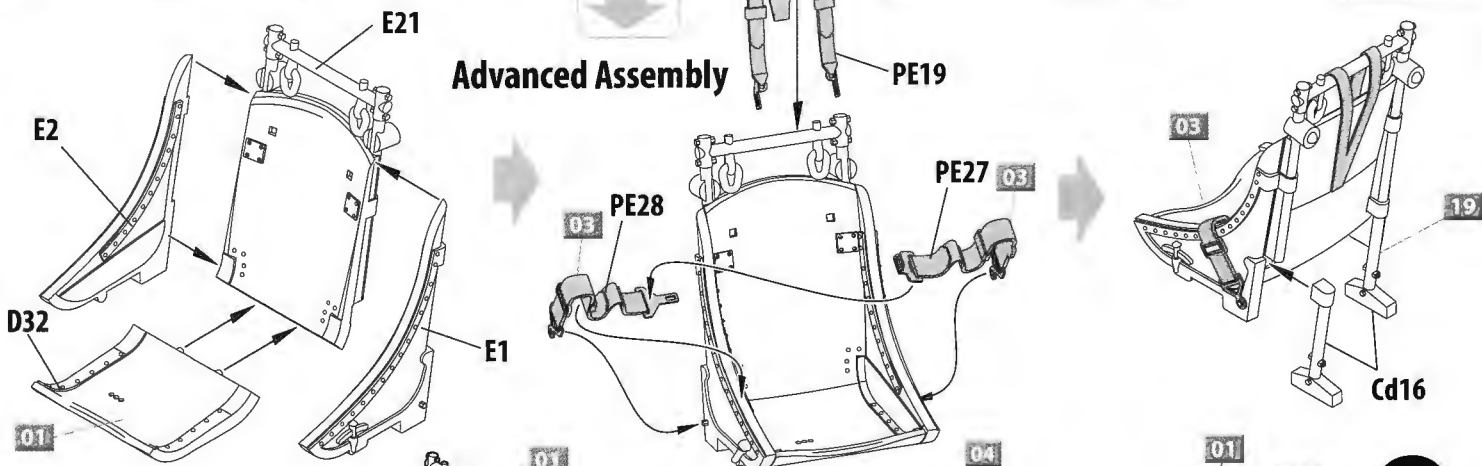
Decal Sheet
STENCIL
48-01



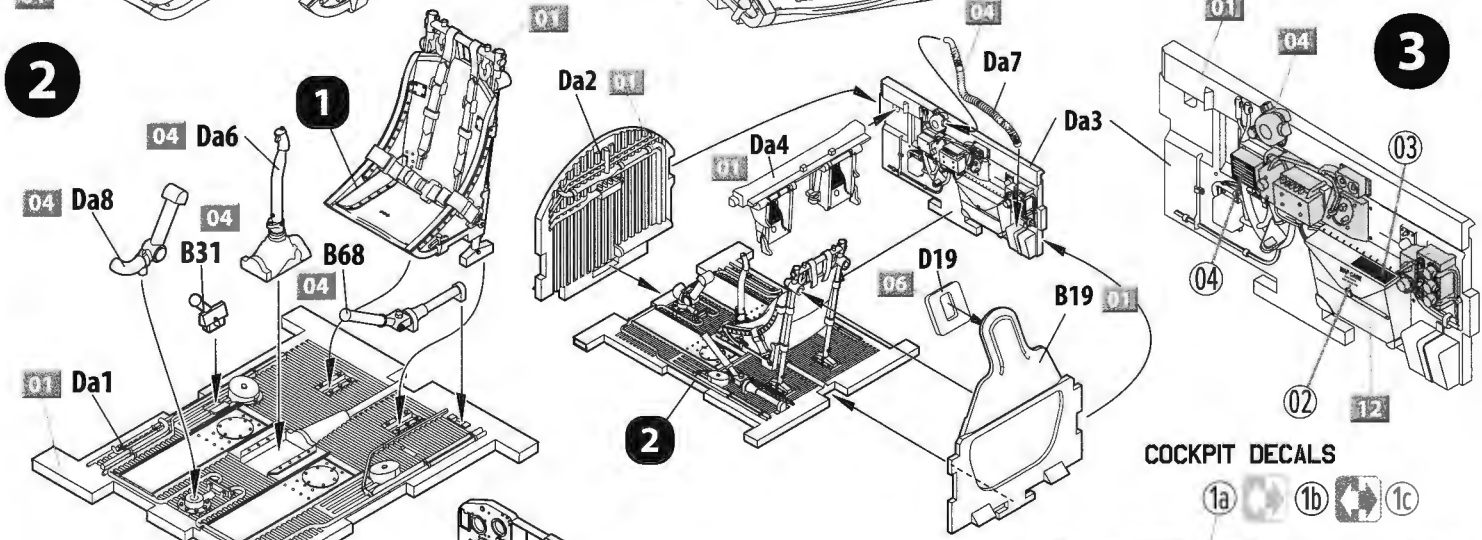
1



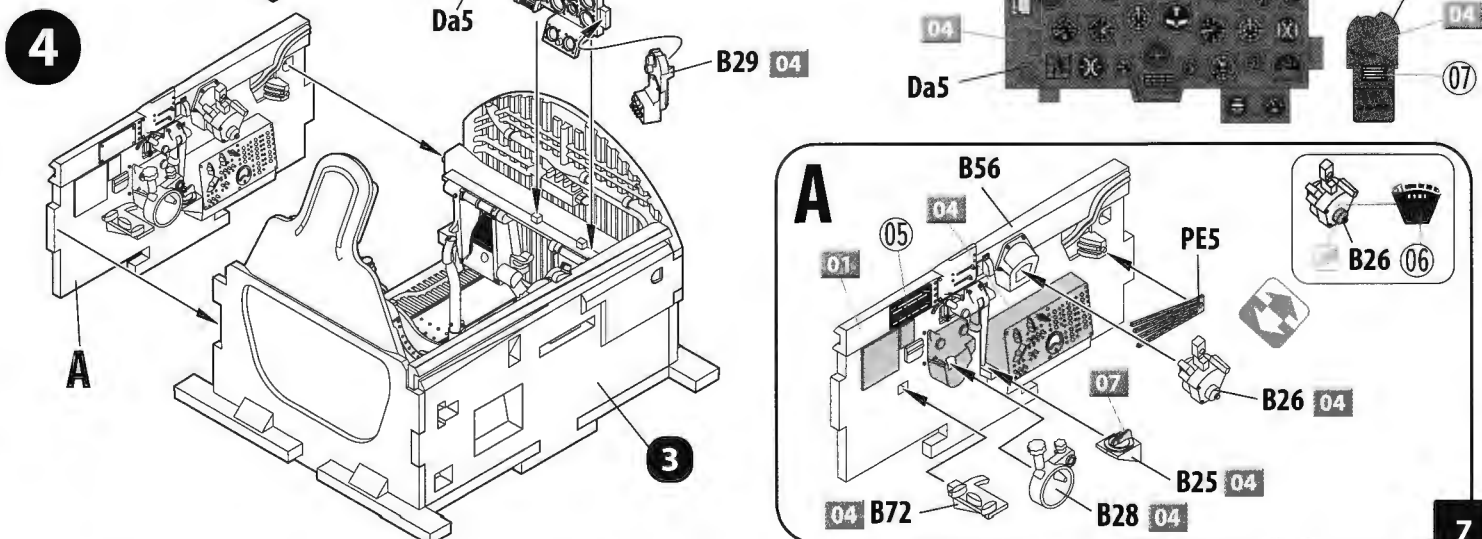
Advanced Assembly



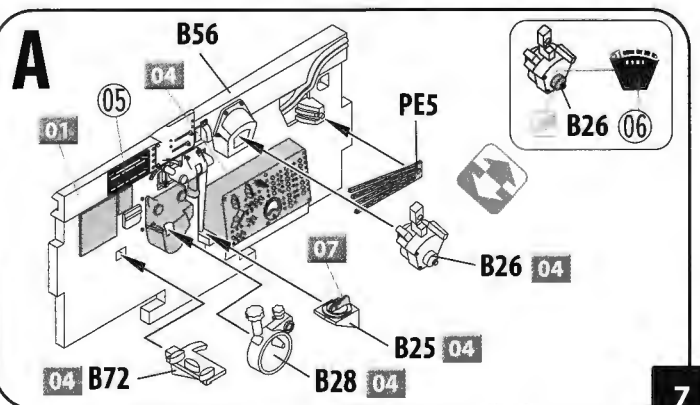
2



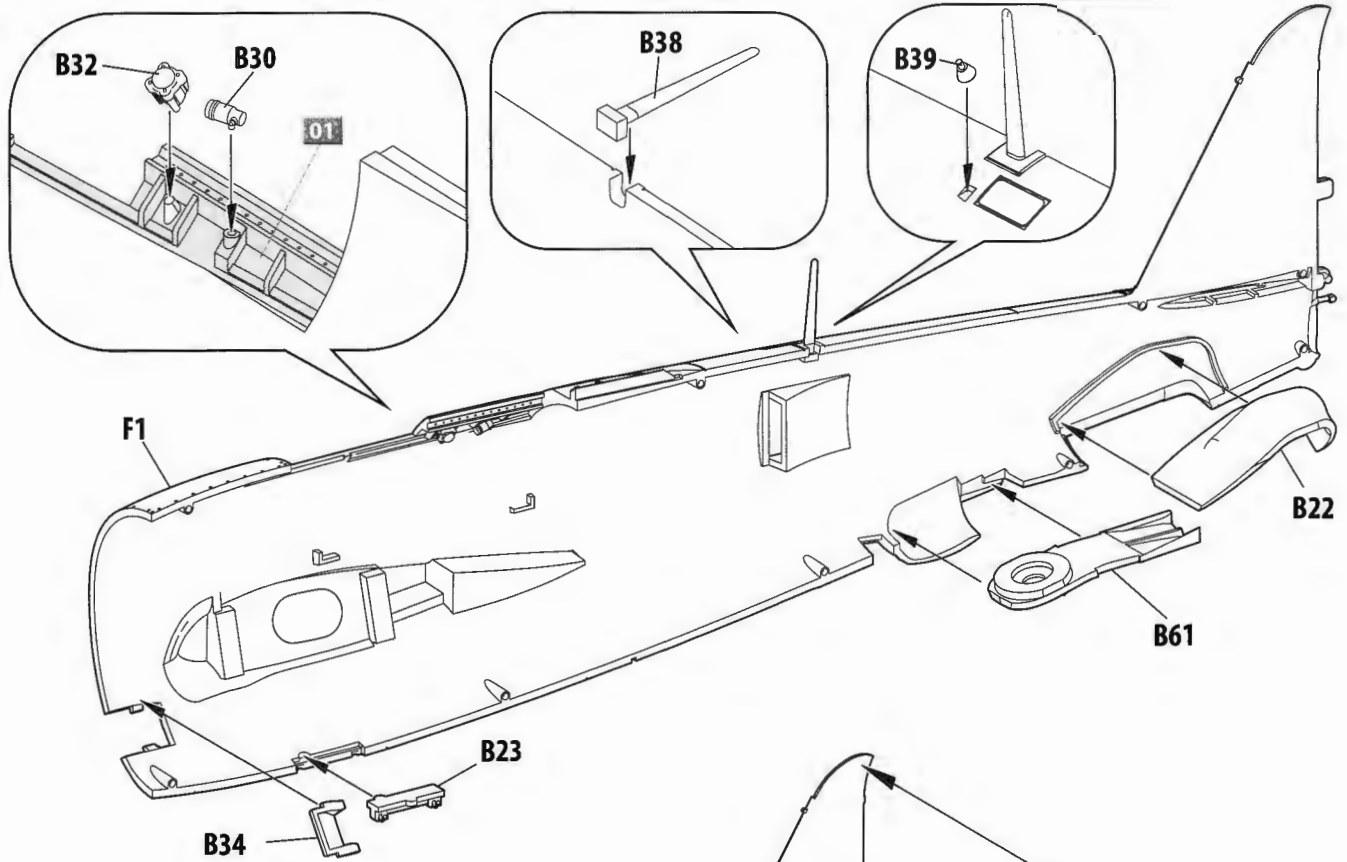
4



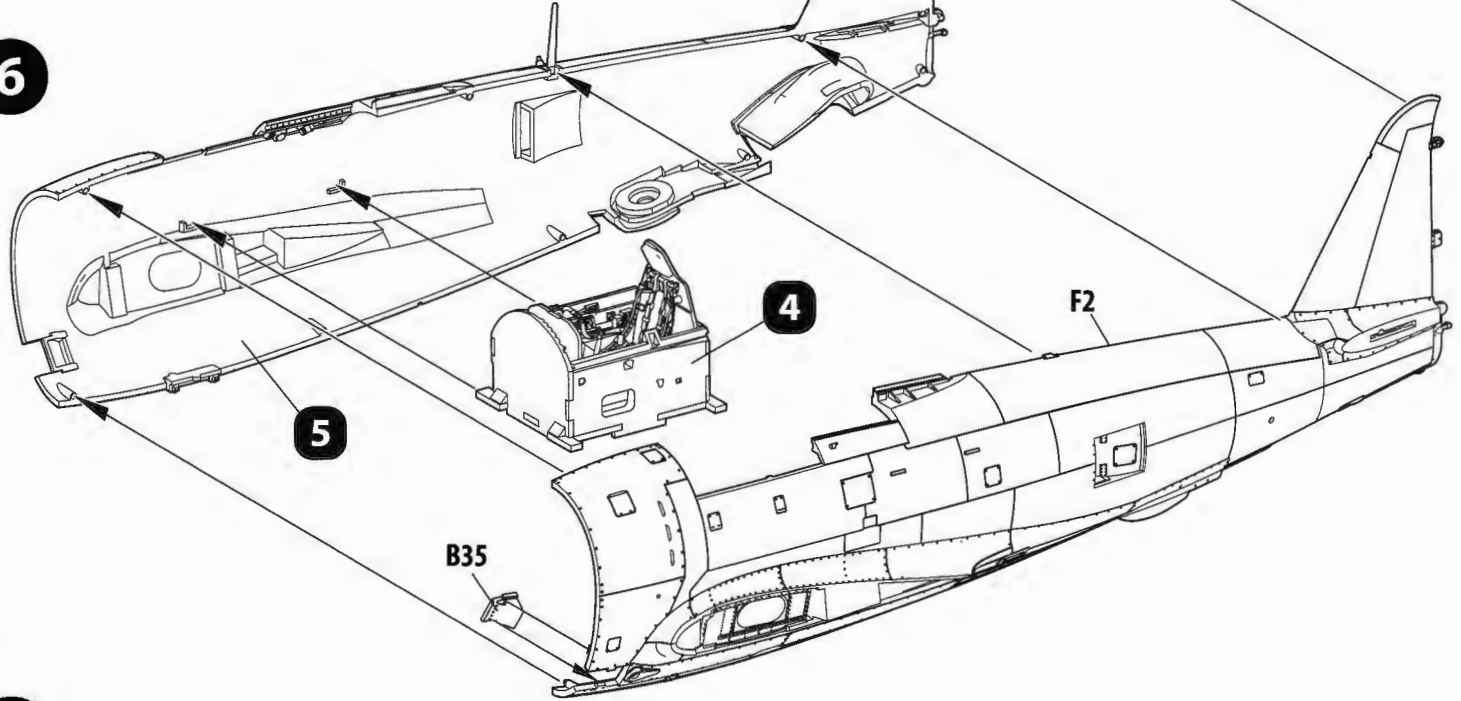
A



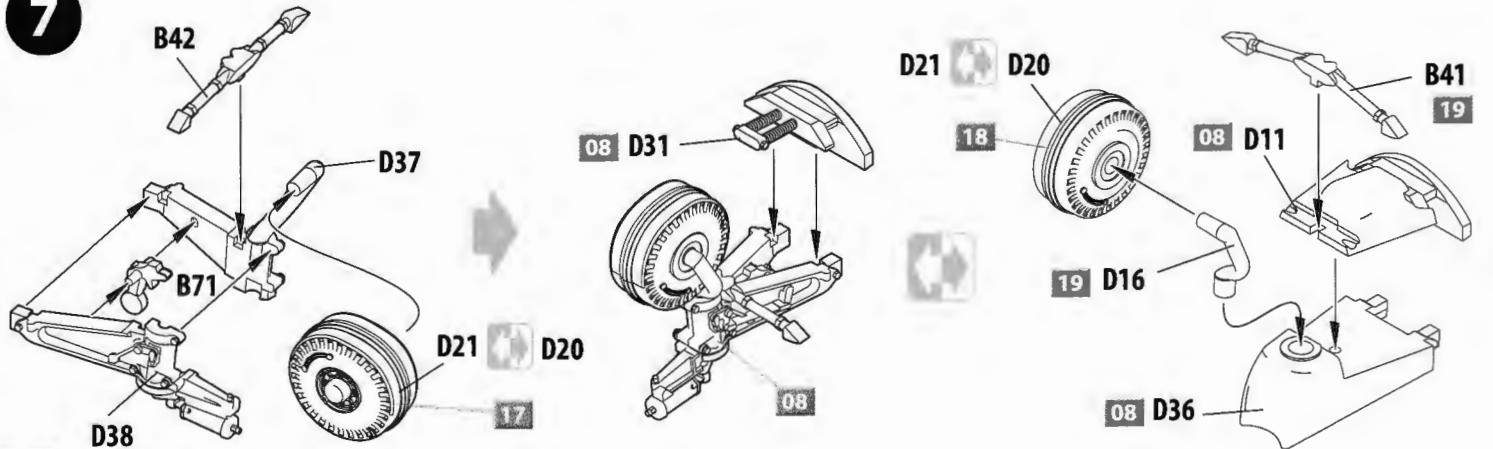
5



6



7



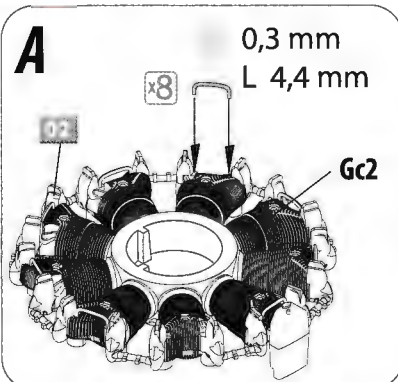
8

8

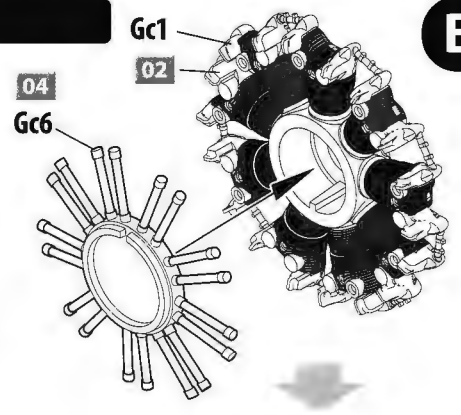
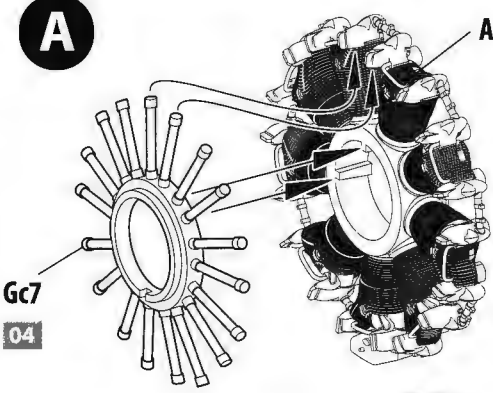
! for experienced modellers

Advanced Assembly of Engine

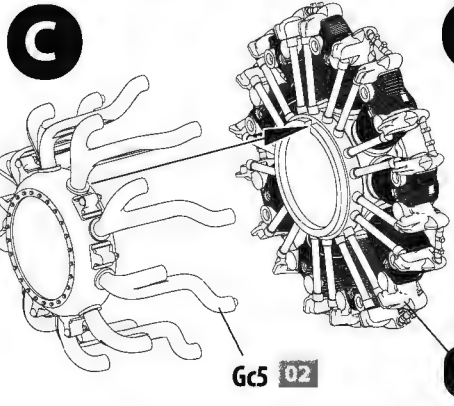
B



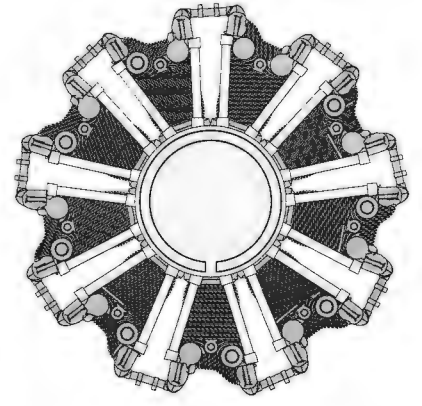
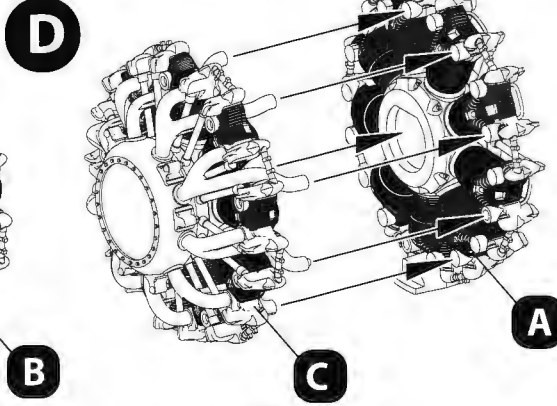
A



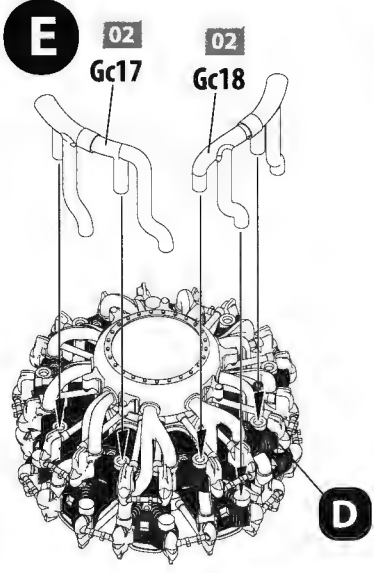
C



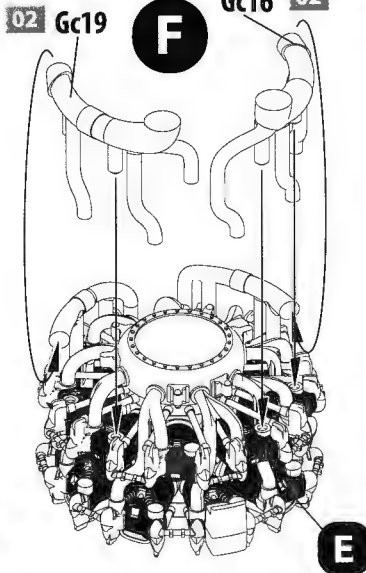
D



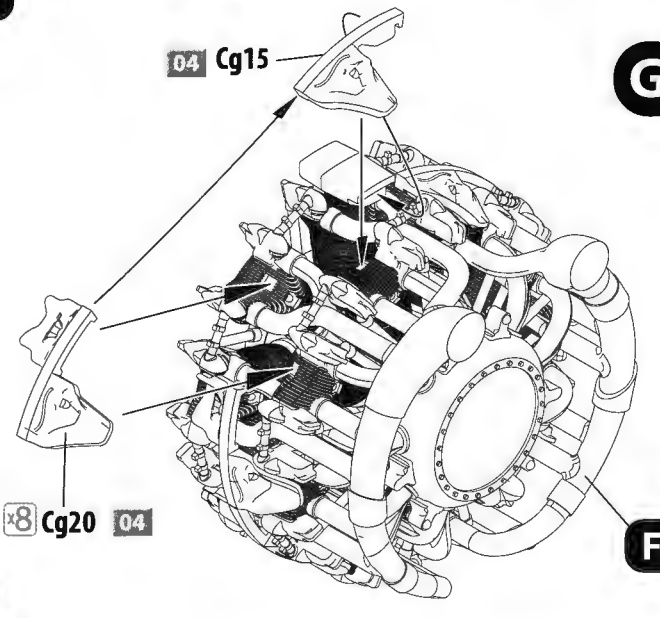
E



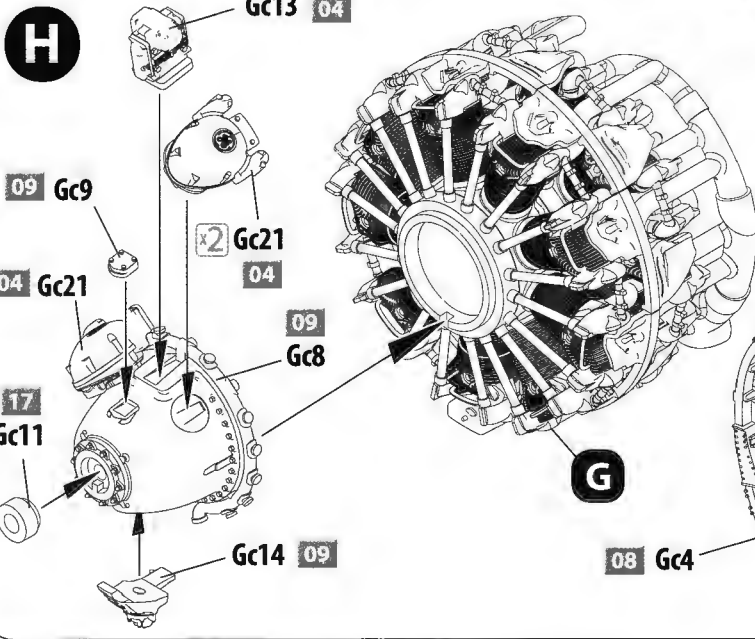
F



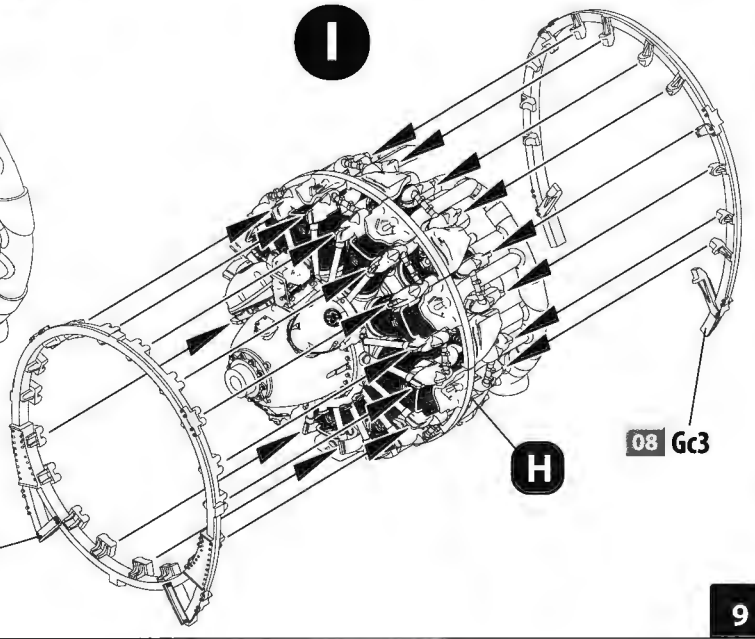
G



H

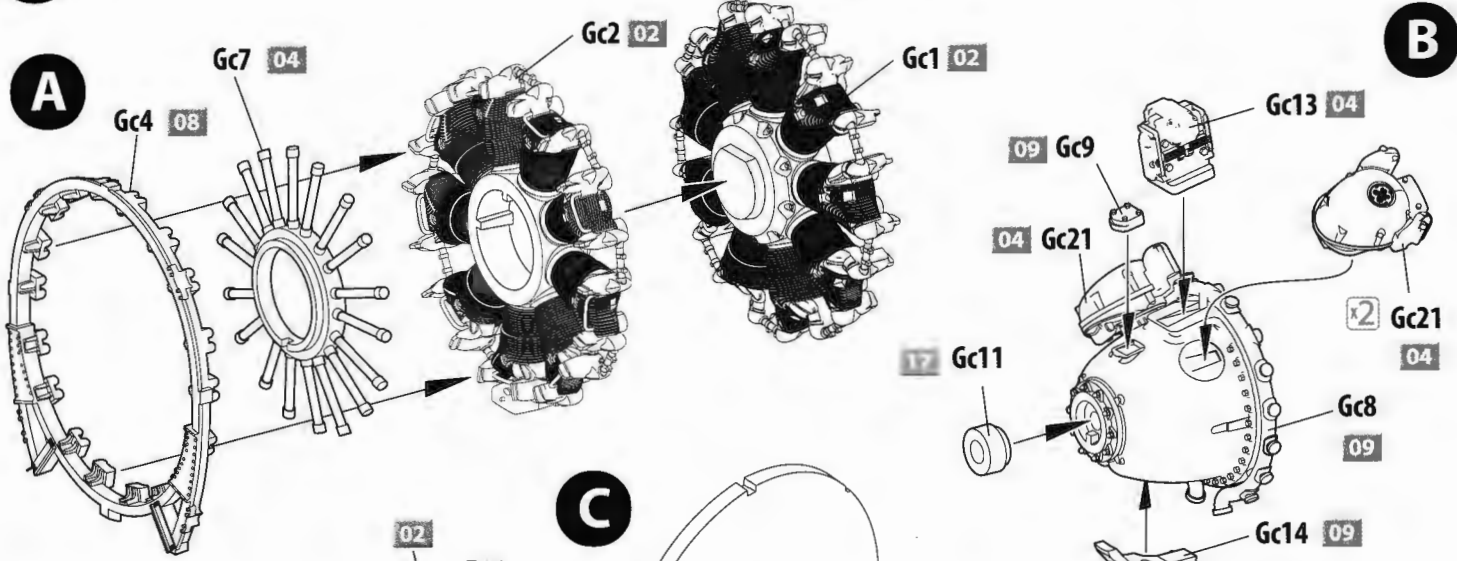


I

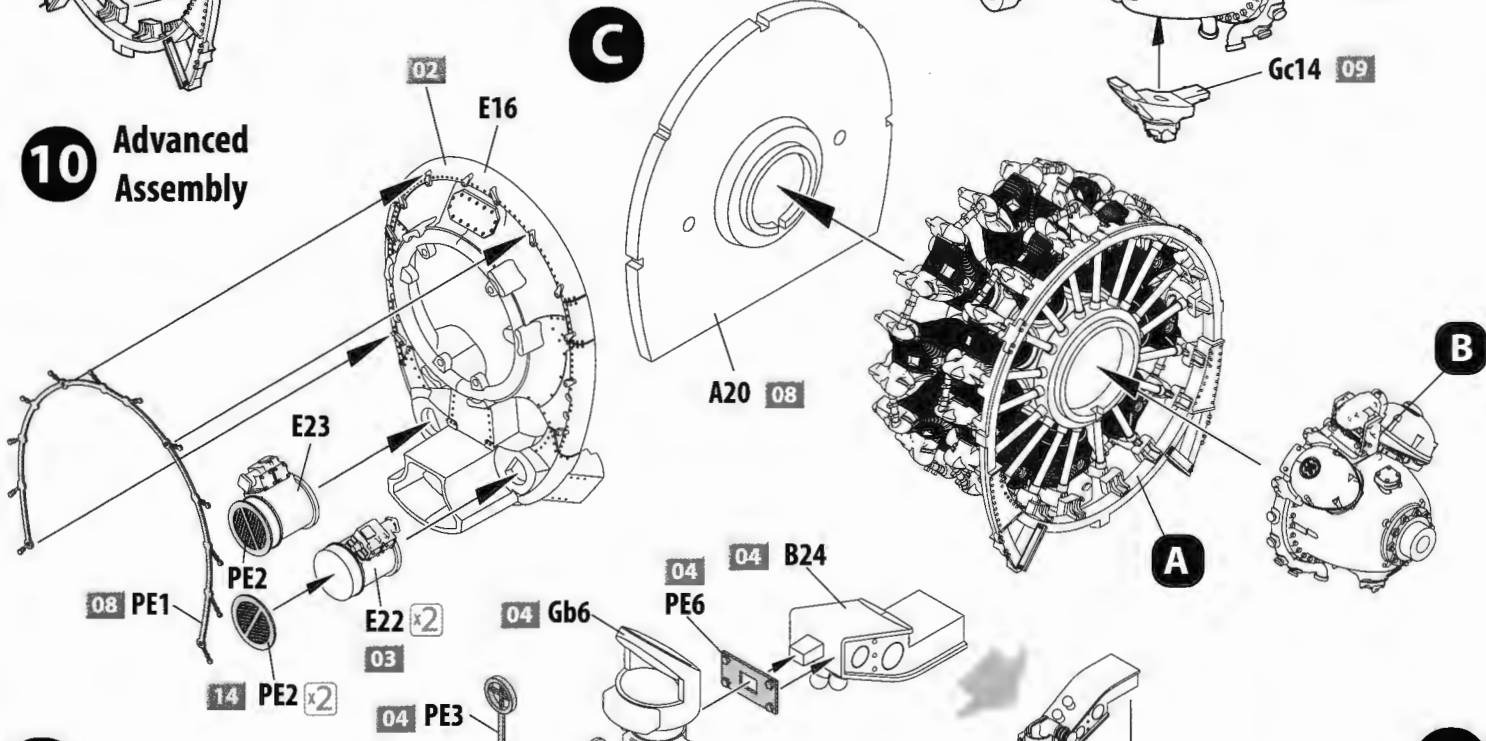


9

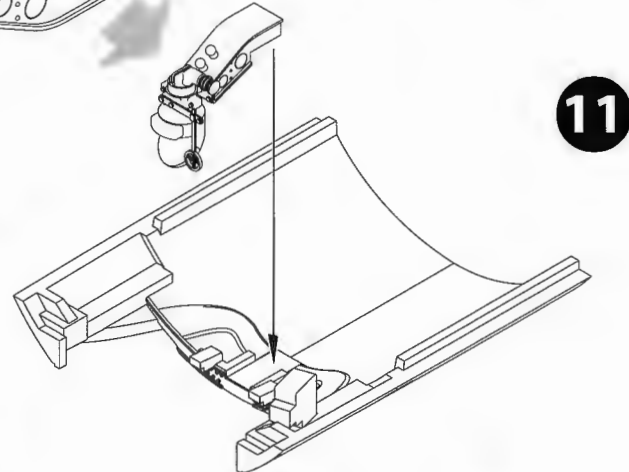
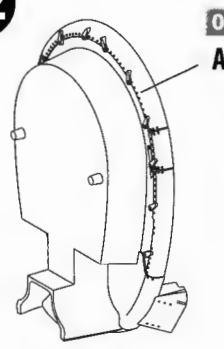
Basic Assembly of Engine



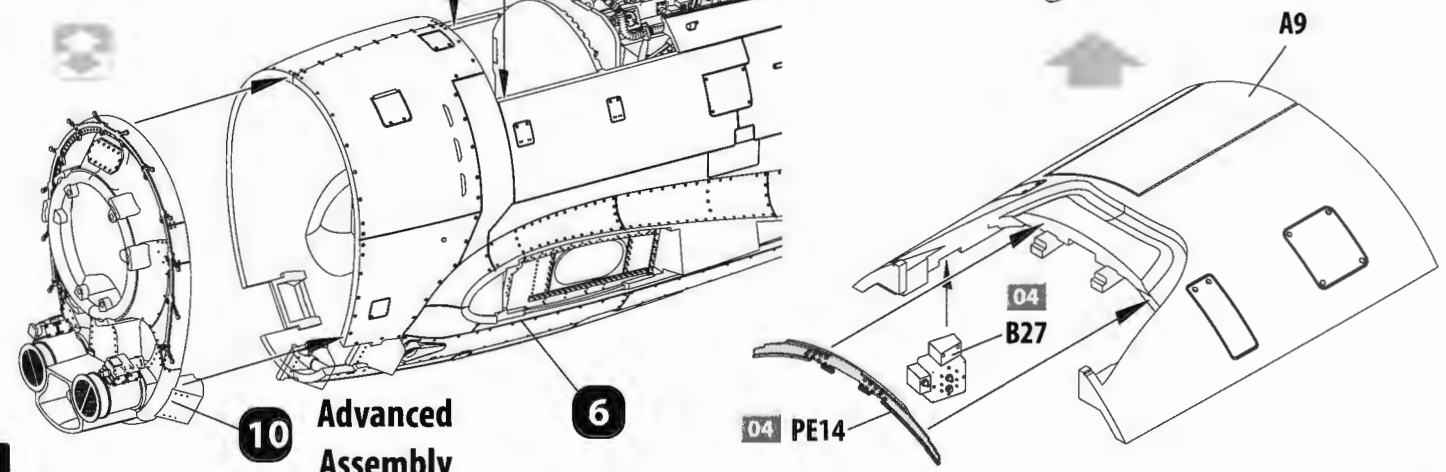
10 Advanced Assembly



12 Basic Assembly

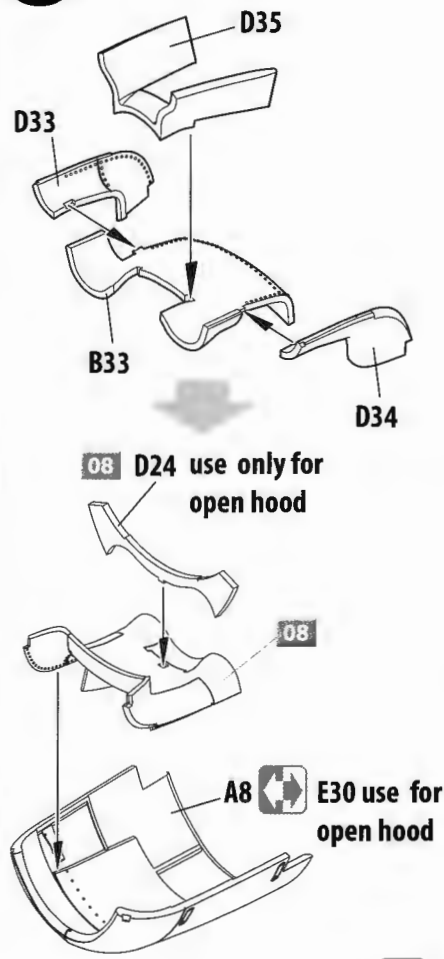


10 Advanced Assembly



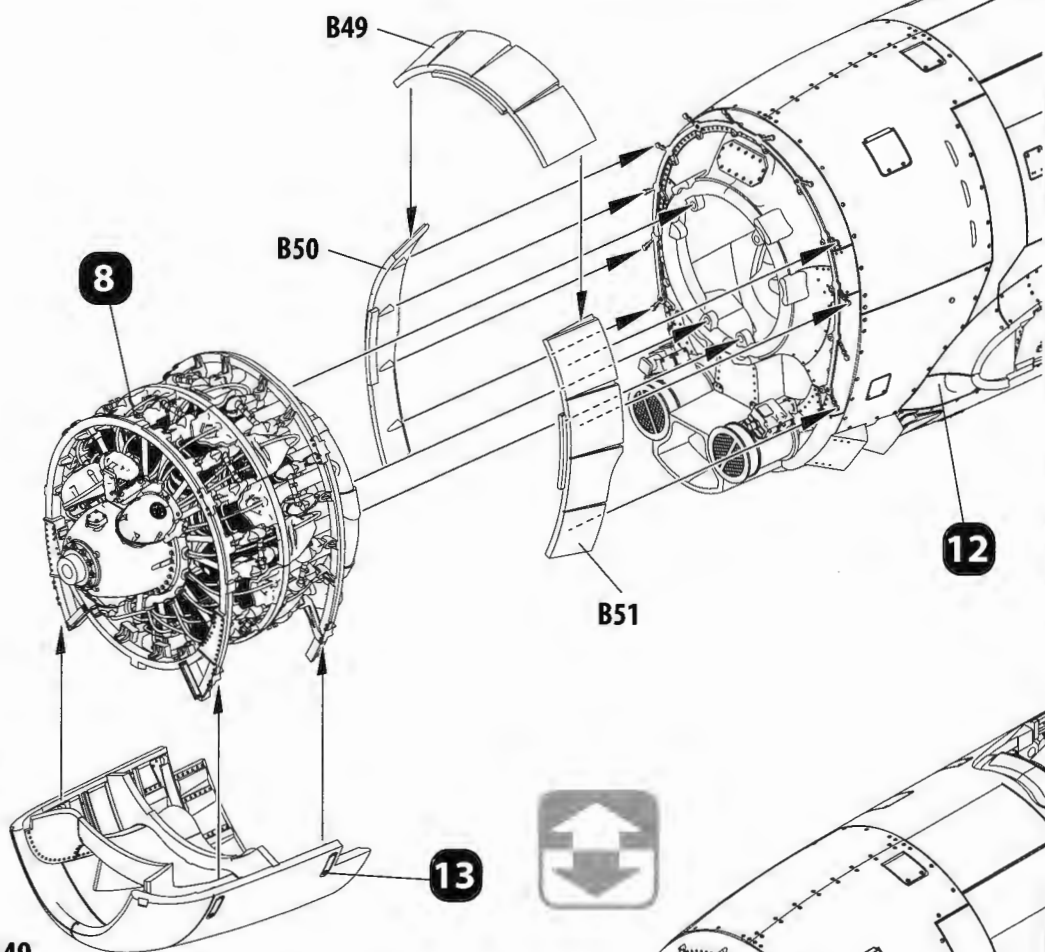
10

13

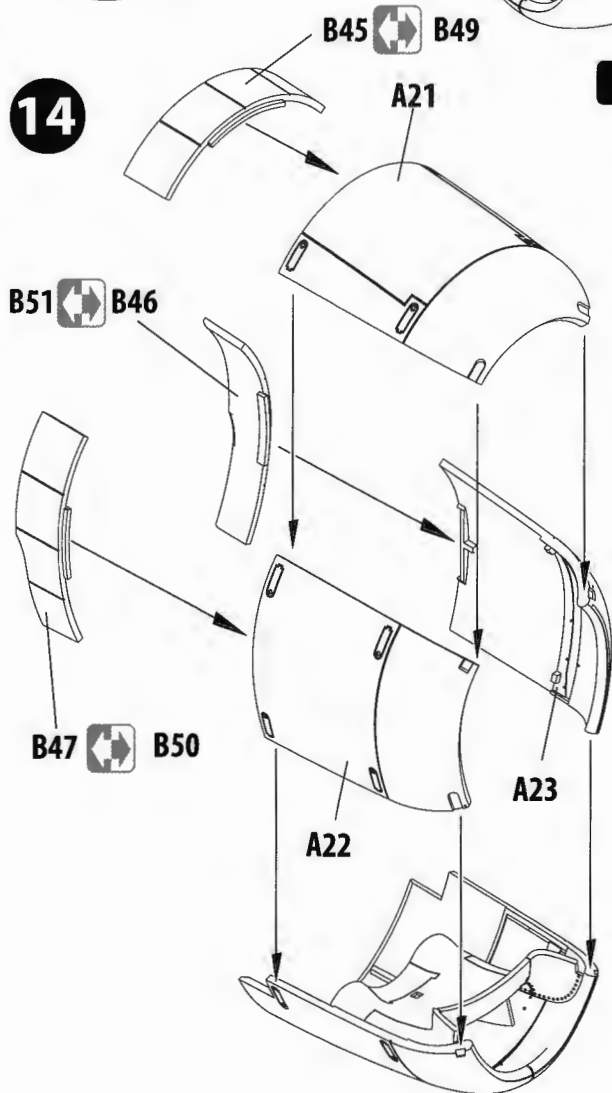


15

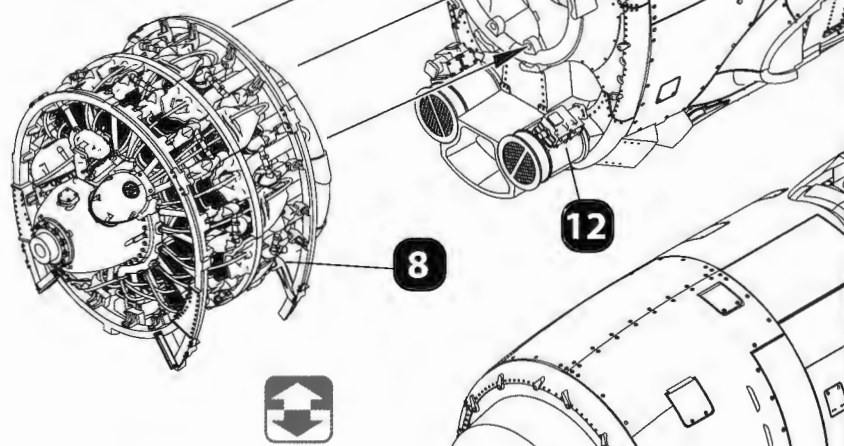
Advanced Assembly (Open hood variant)



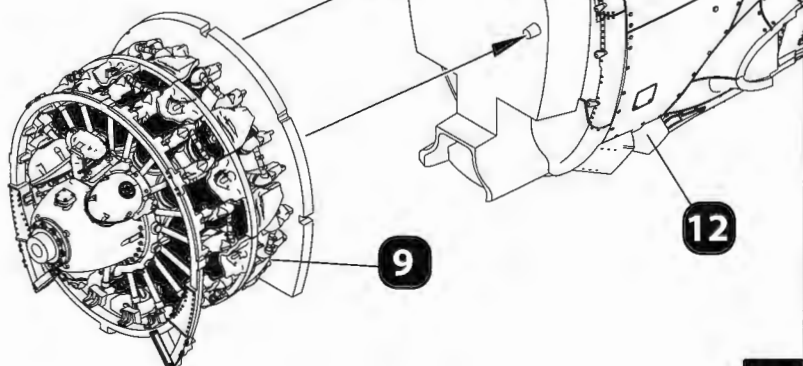
14



Closed hood variant
Advanced Assembly

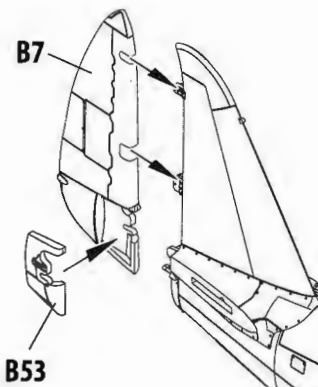


Basic Assembly



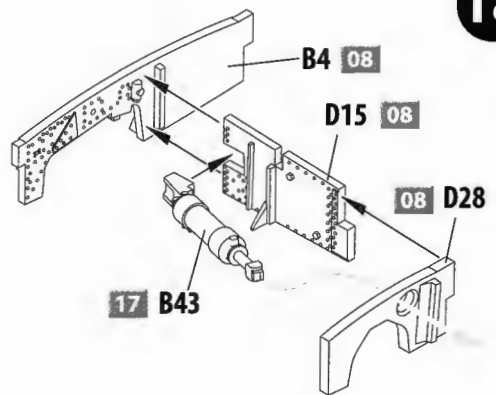
11

16



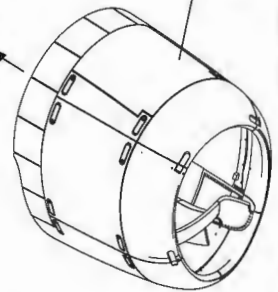
(A16) A17
Open

18



15

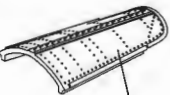
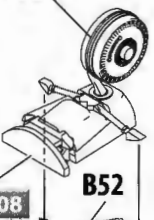
14



17



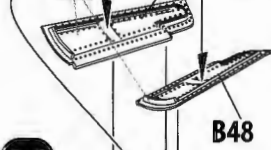
Open chassis
option



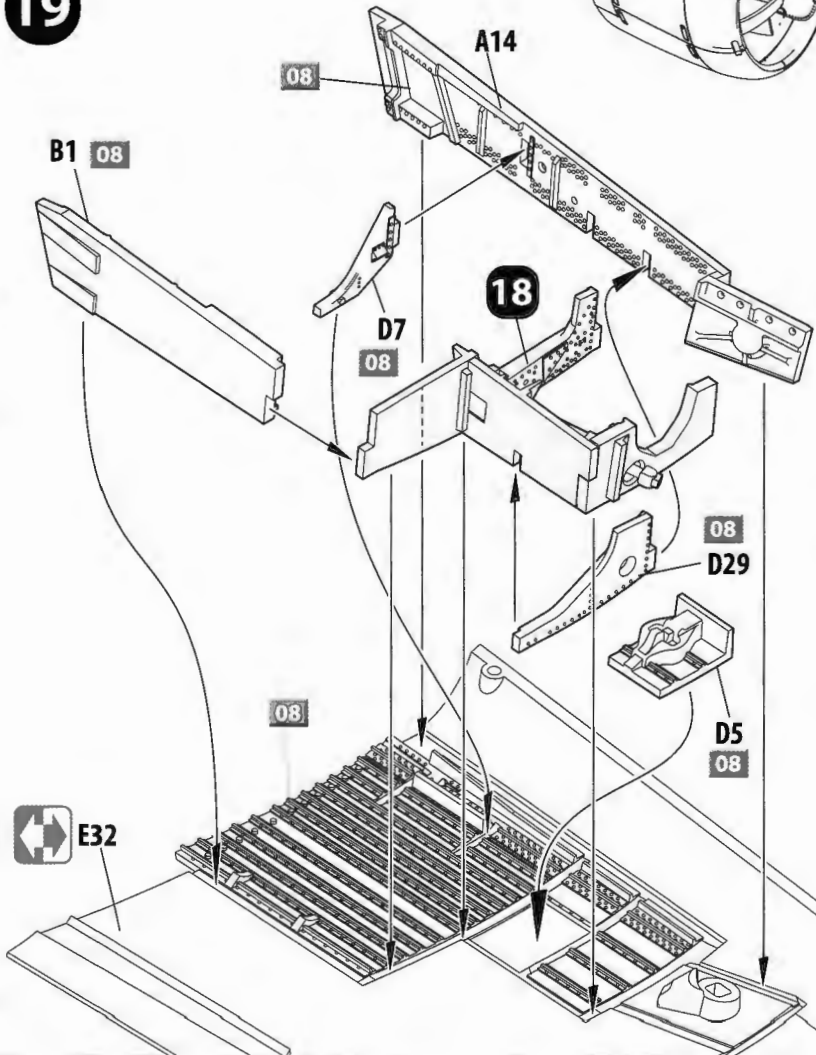
B10
Closed chassis
option

F3

16



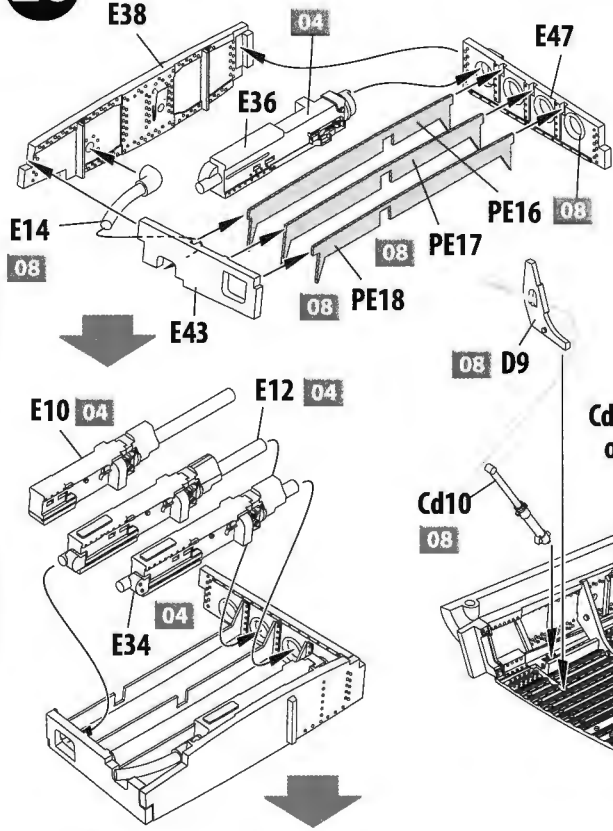
19



E32 only use with open wind hatches

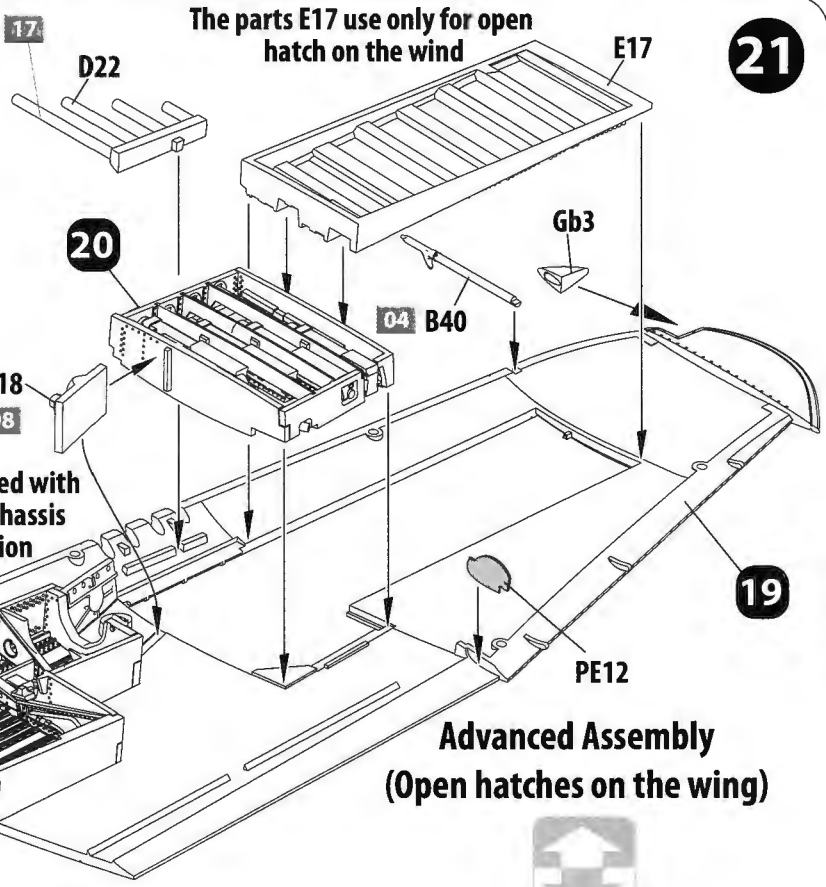
12

20 Use only for open hatch on the wind



The parts E17 use only for open hatch on the wind

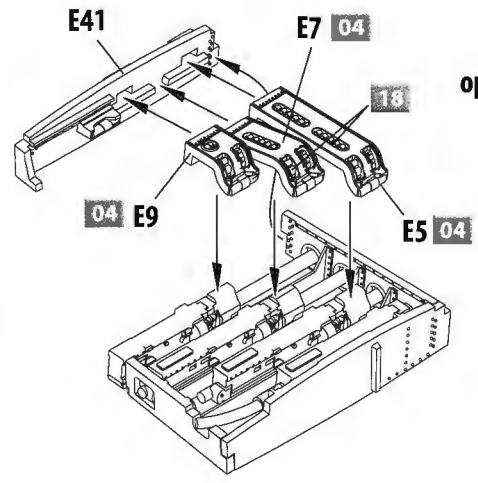
21



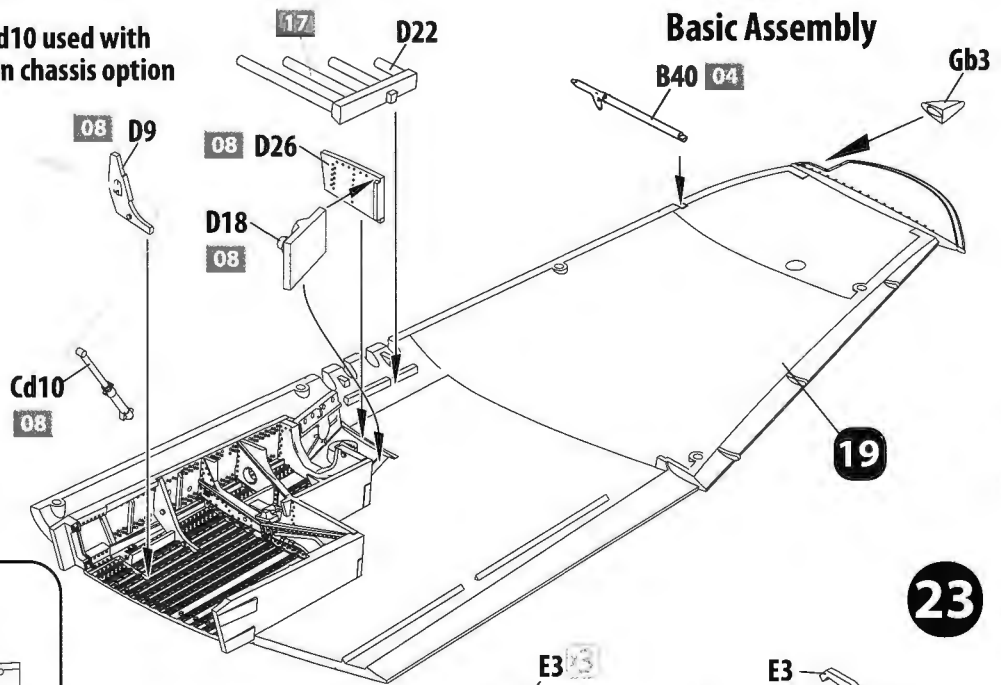
Advanced Assembly
(Open hatches on the wing)



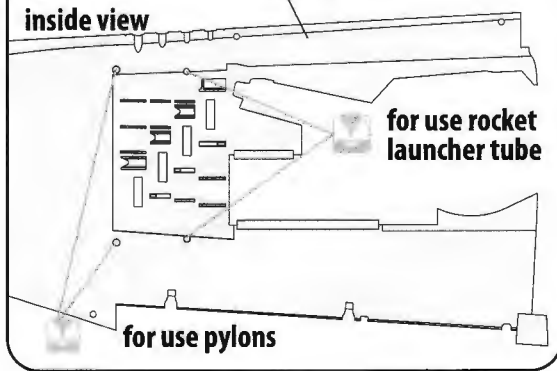
Cd10 used with open chassis option



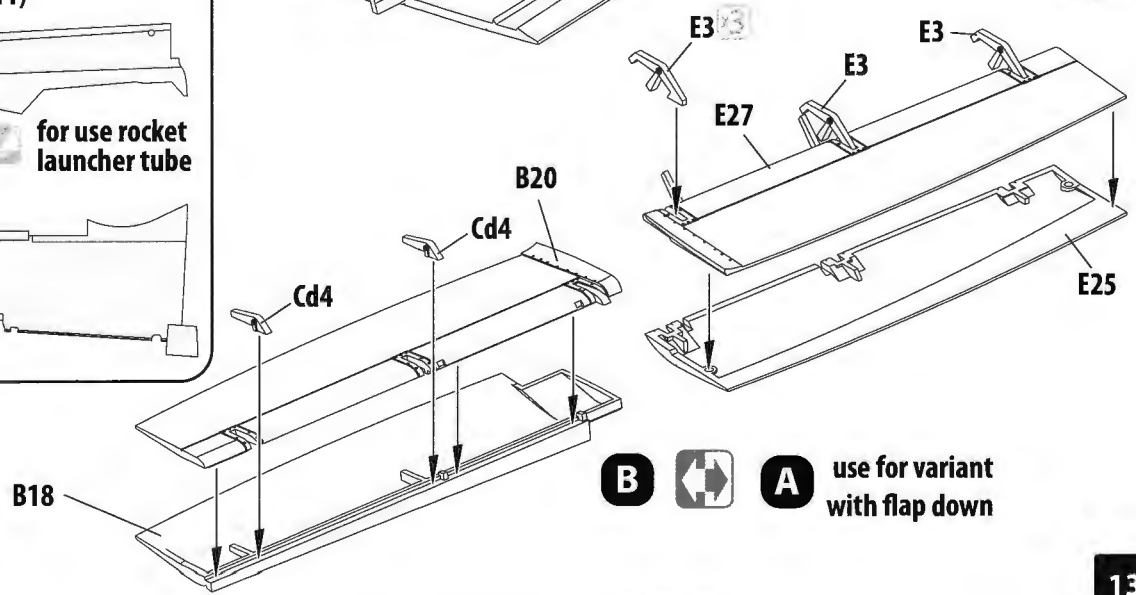
Basic Assembly



22 inside view

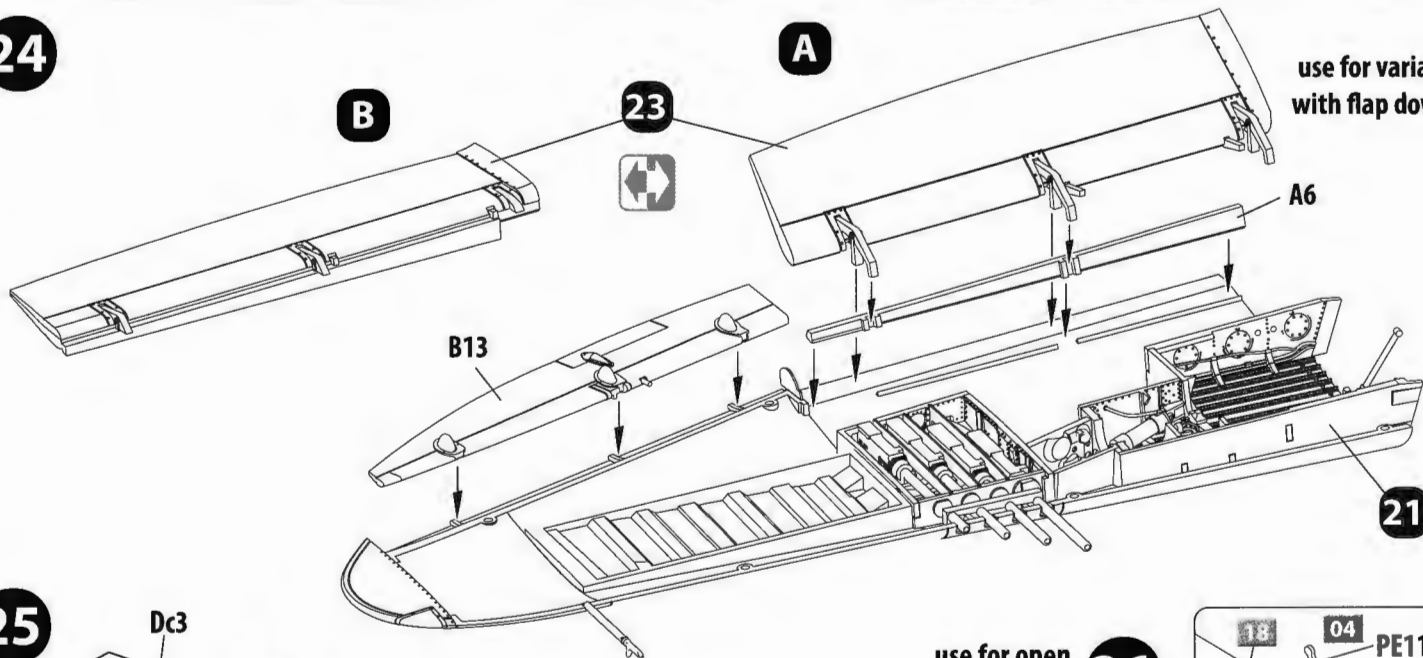


23



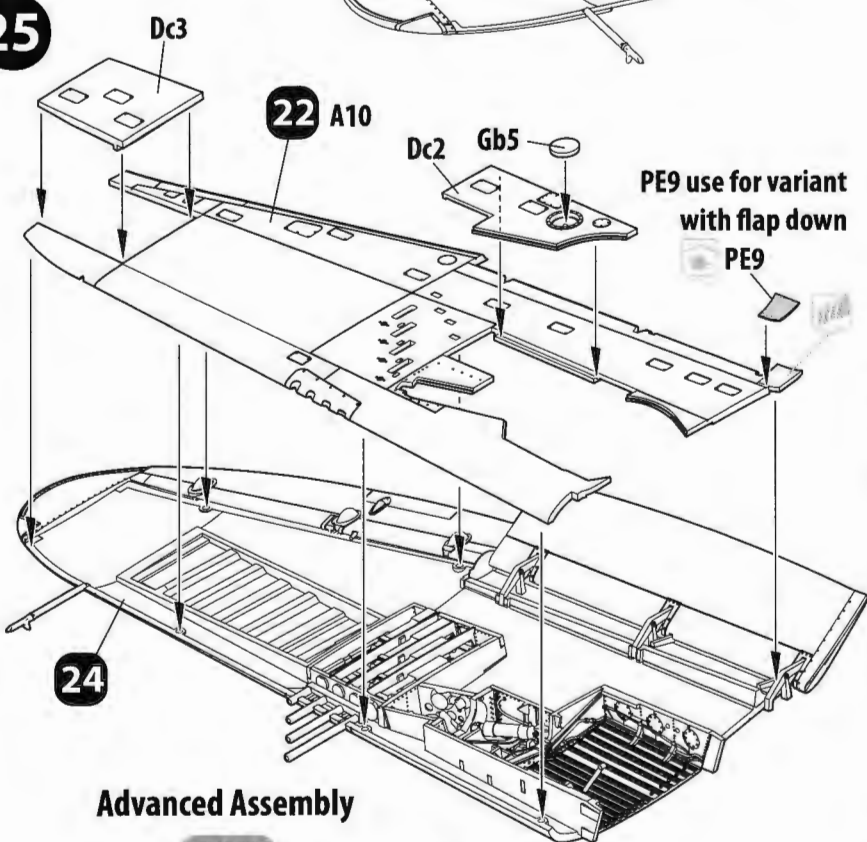
B **A** use for variant with flap down

24



use for variant with flap down

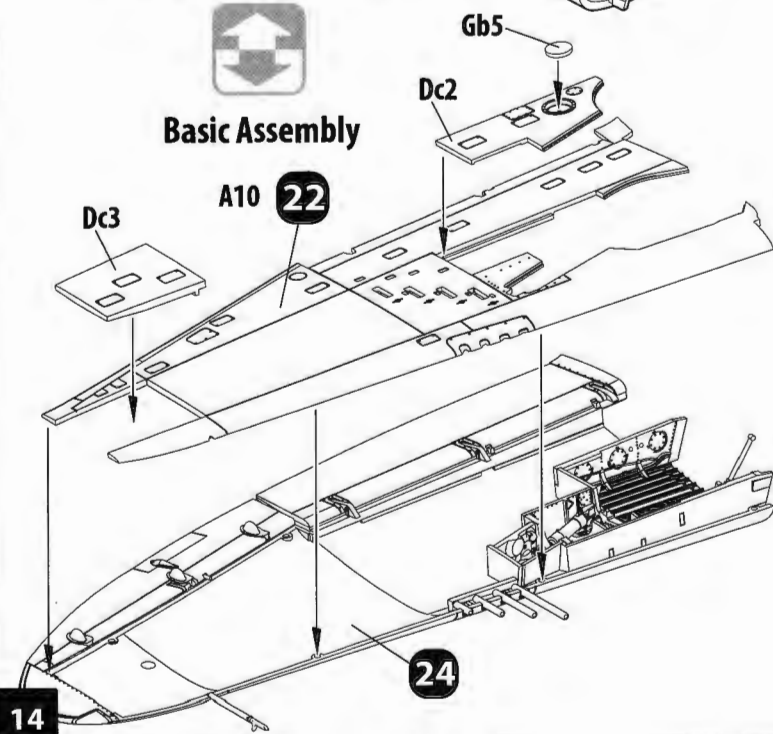
25



Advanced Assembly



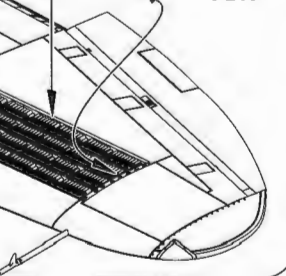
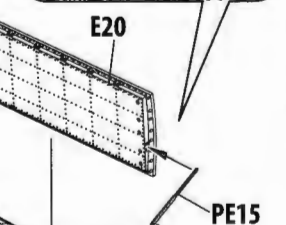
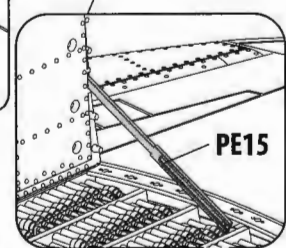
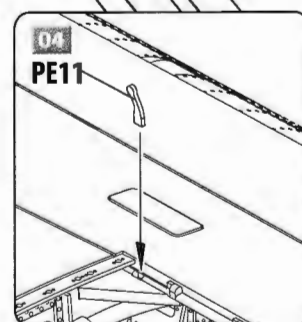
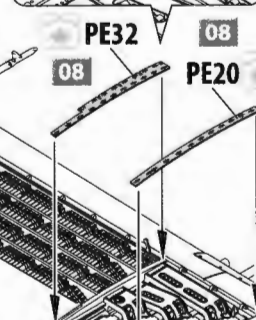
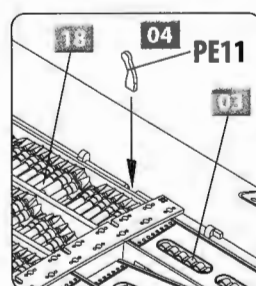
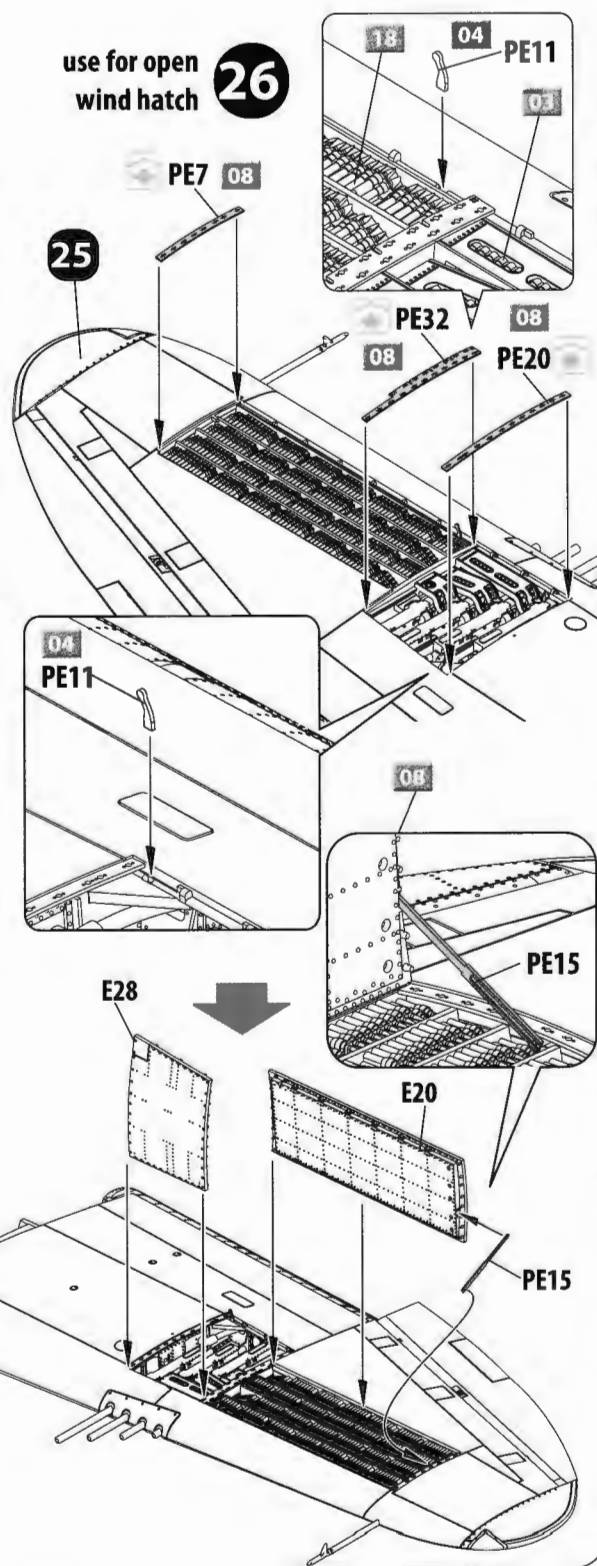
Basic Assembly



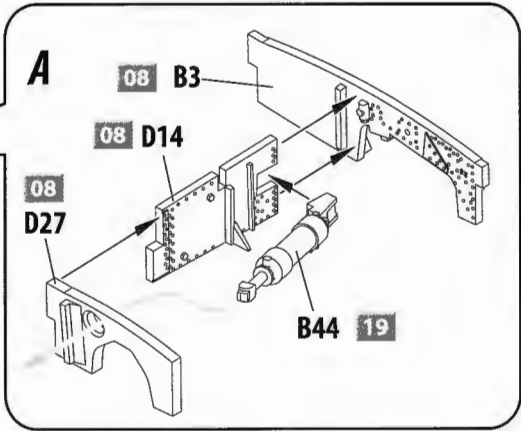
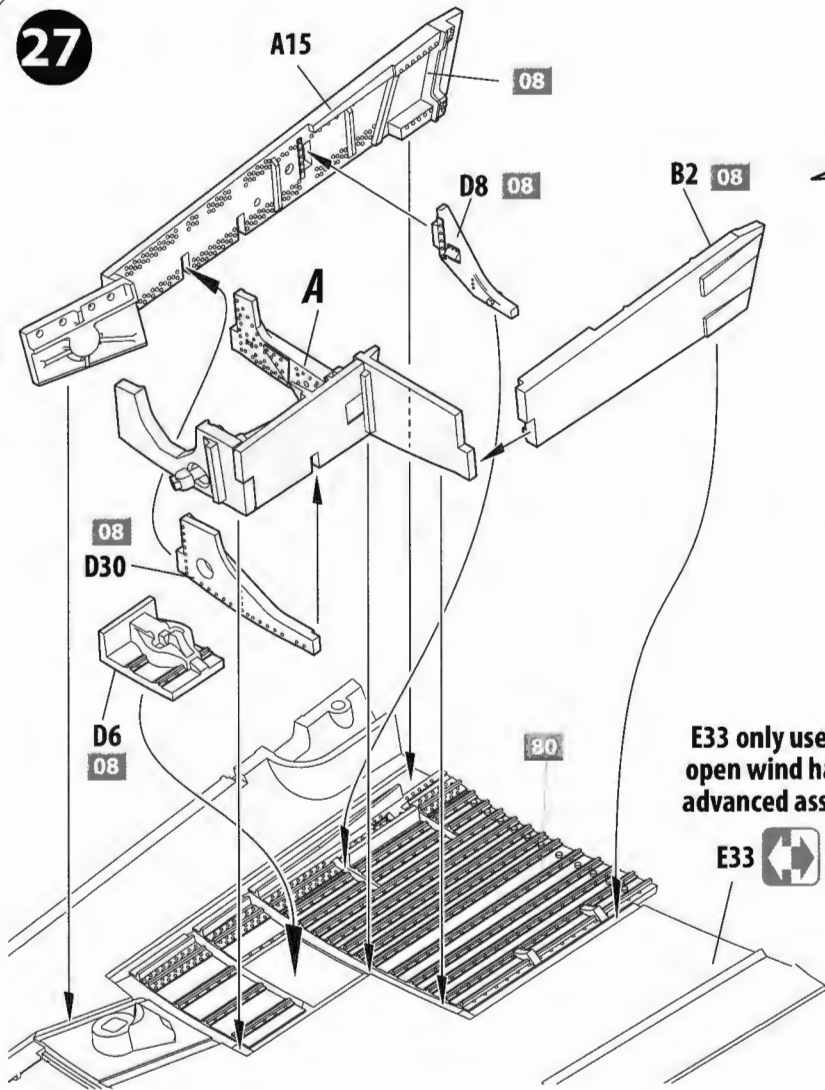
14

use for open wind hatch

26

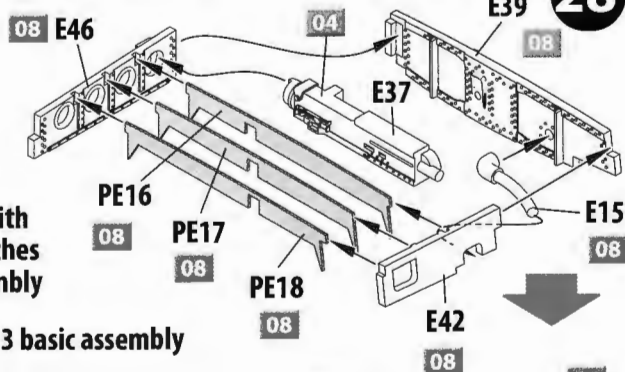


27



Use only for open hatch on the wind

28

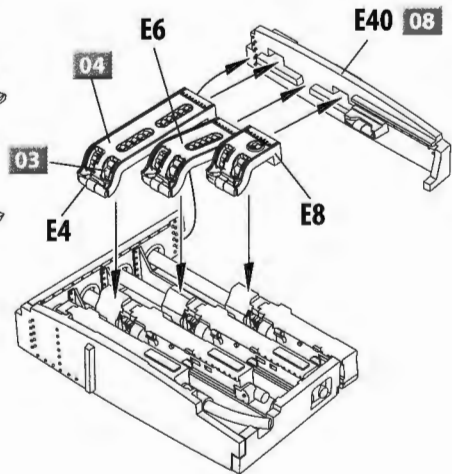
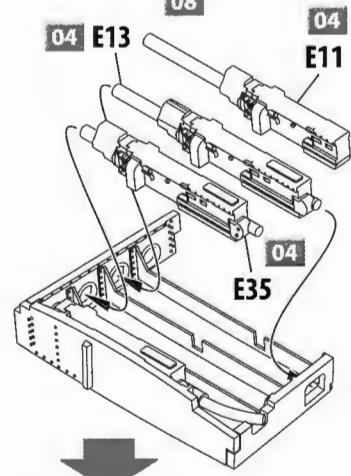
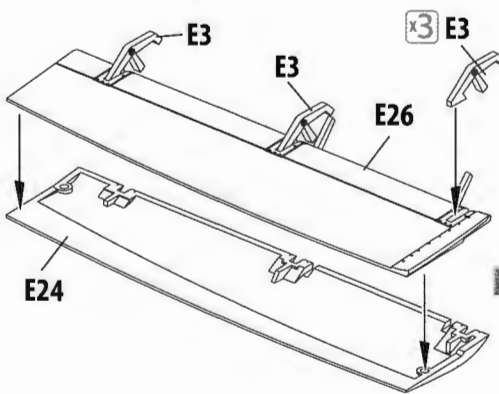
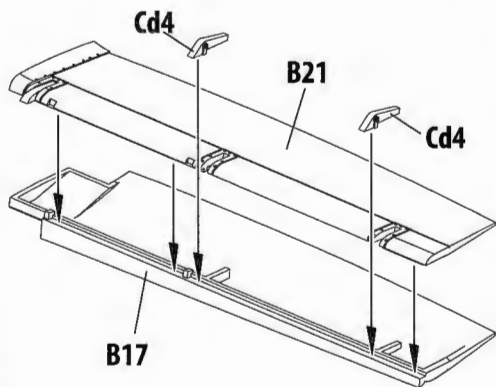


E33 only use with open wind hatches advanced assembly

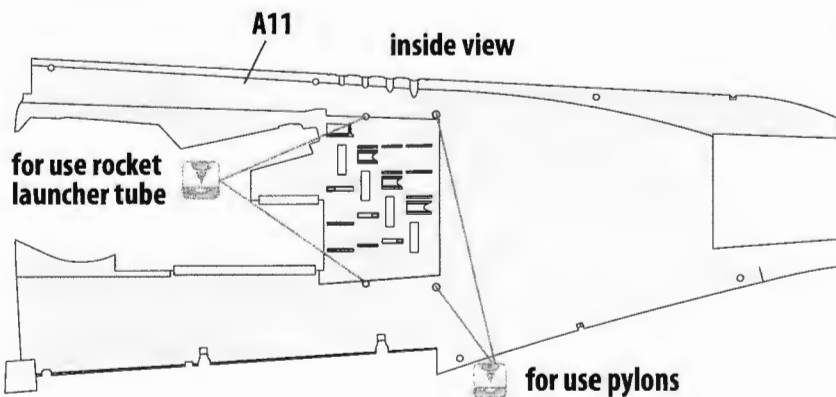
E33 ↔ A13 basic assembly

29

B ↔ A use for variant with flap down



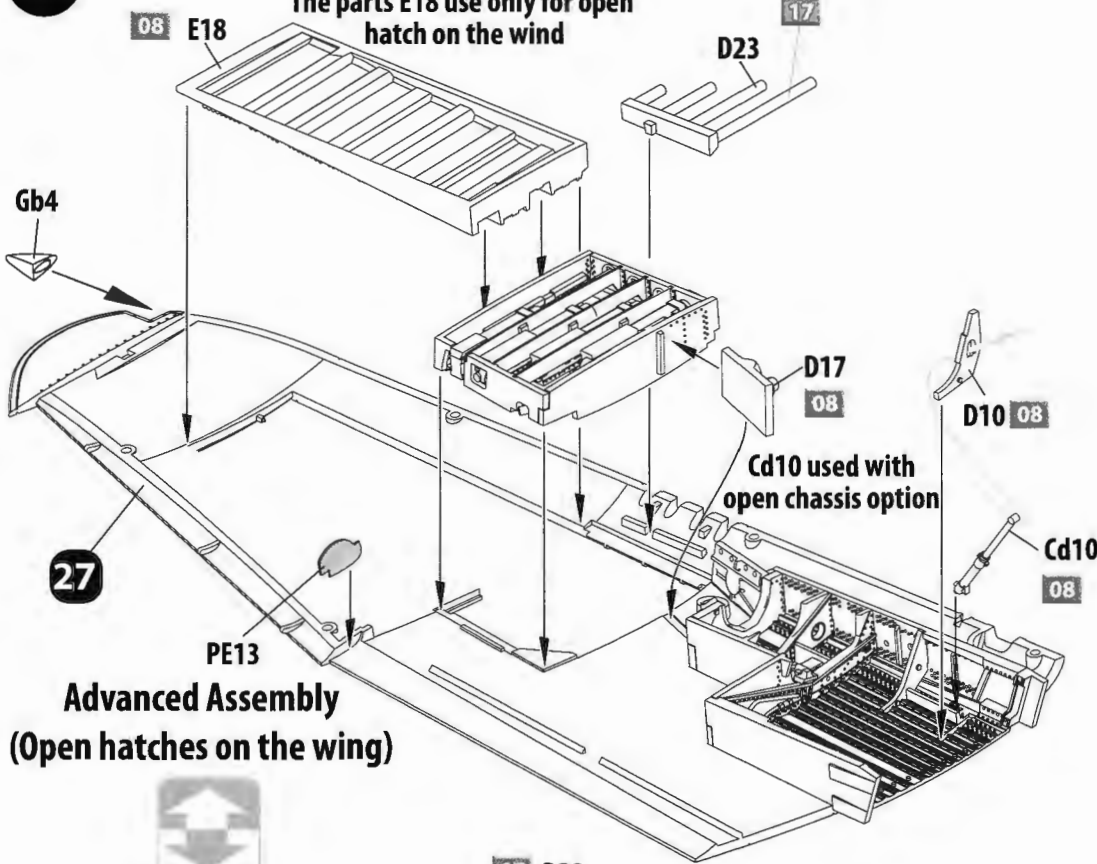
30



31

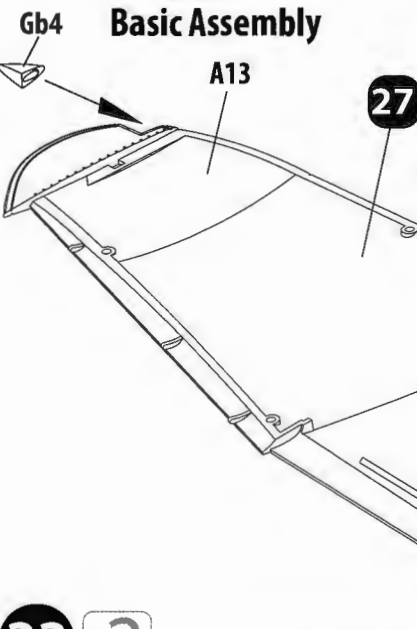
Use only for open hatch on the wind

The parts E18 use only for open hatch on the wind



27

Advanced Assembly
(Open hatches on the wing)

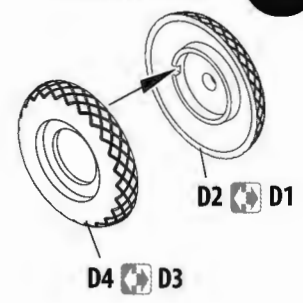


Basic Assembly

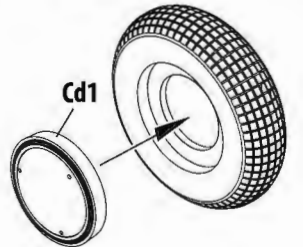
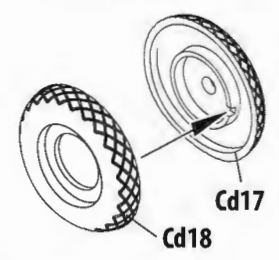
27

32

chassis normal

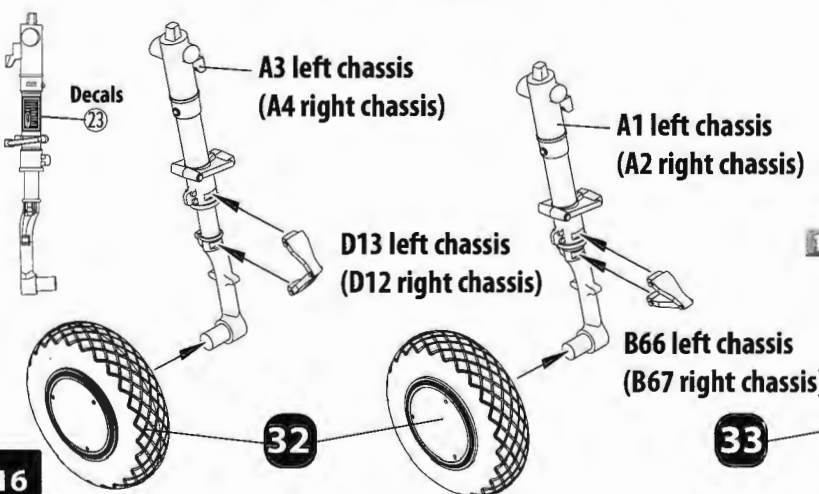


chassis under load

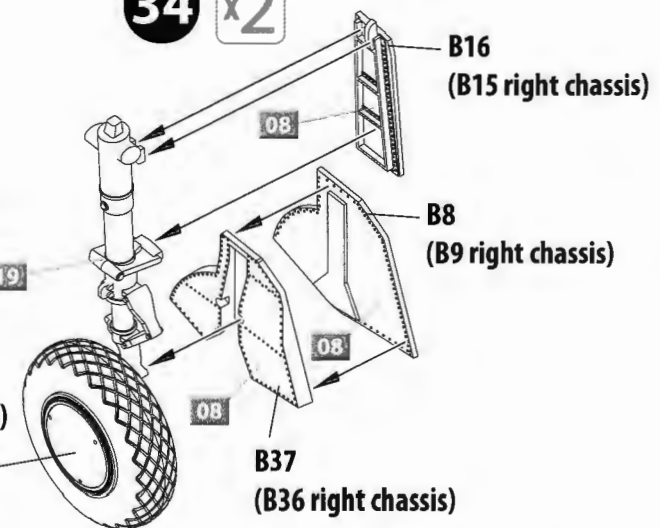


33 x2

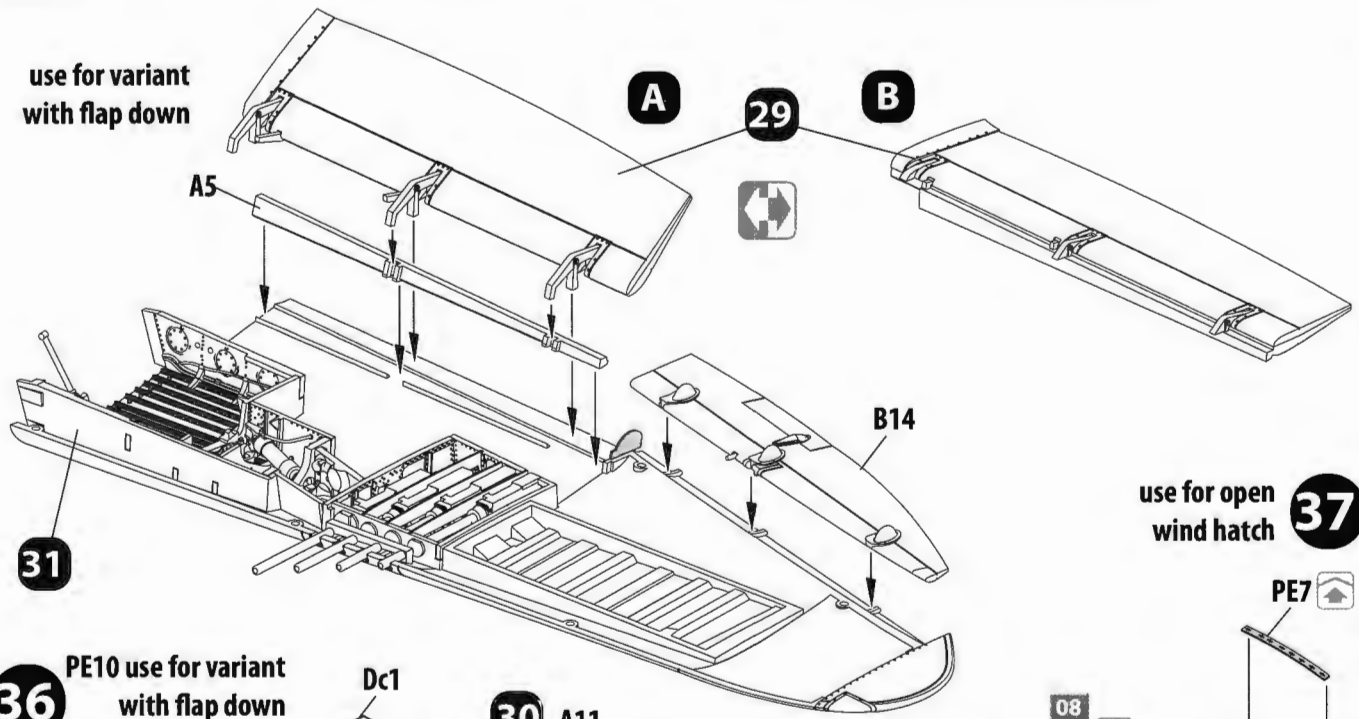
chassis normal chassis under load



34 x2



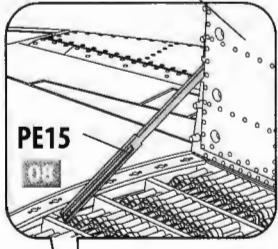
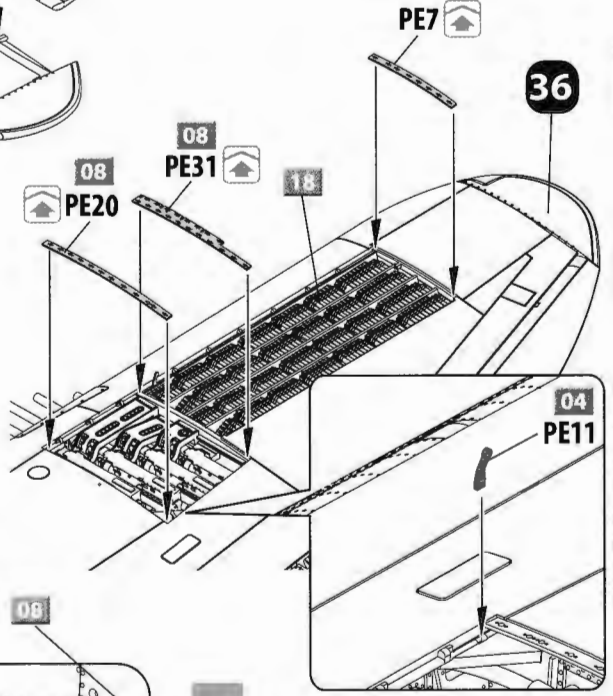
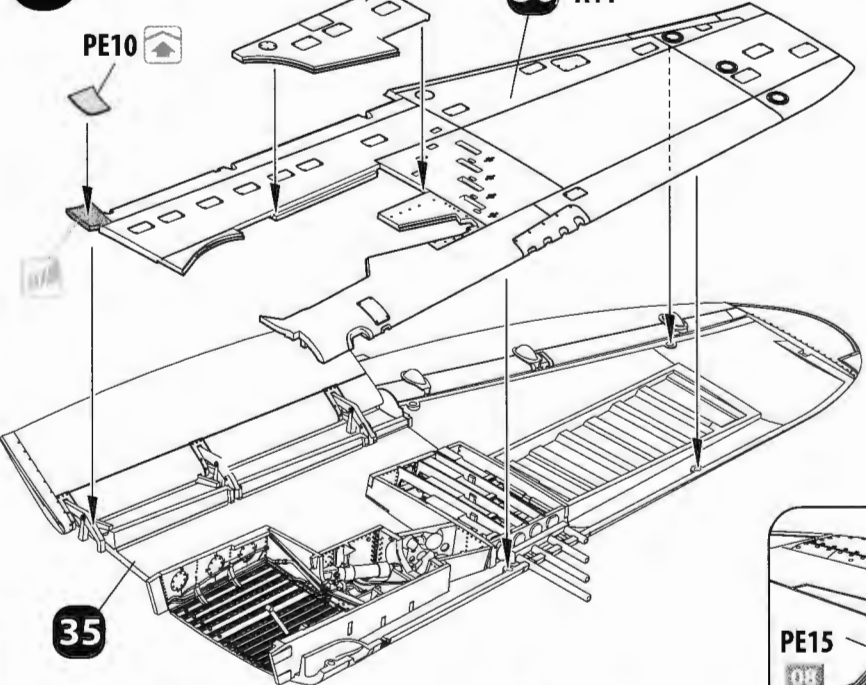
use for variant with flap down



use for open wind hatch

37

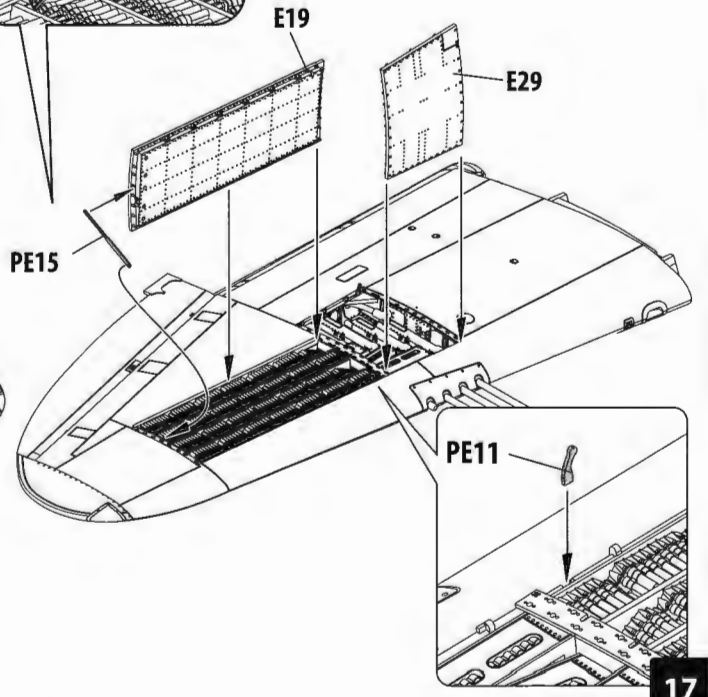
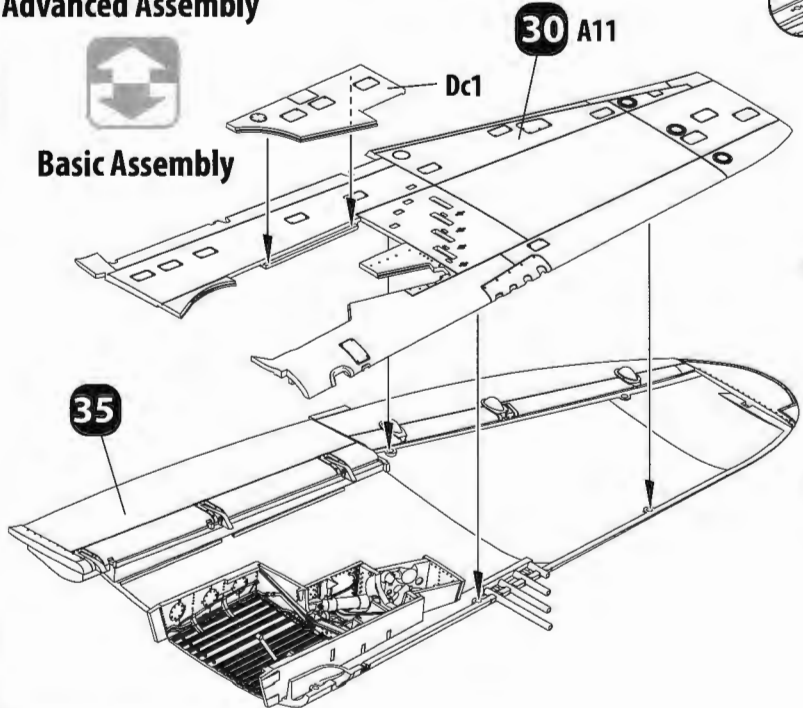
36 PE10 use for variant with flap down

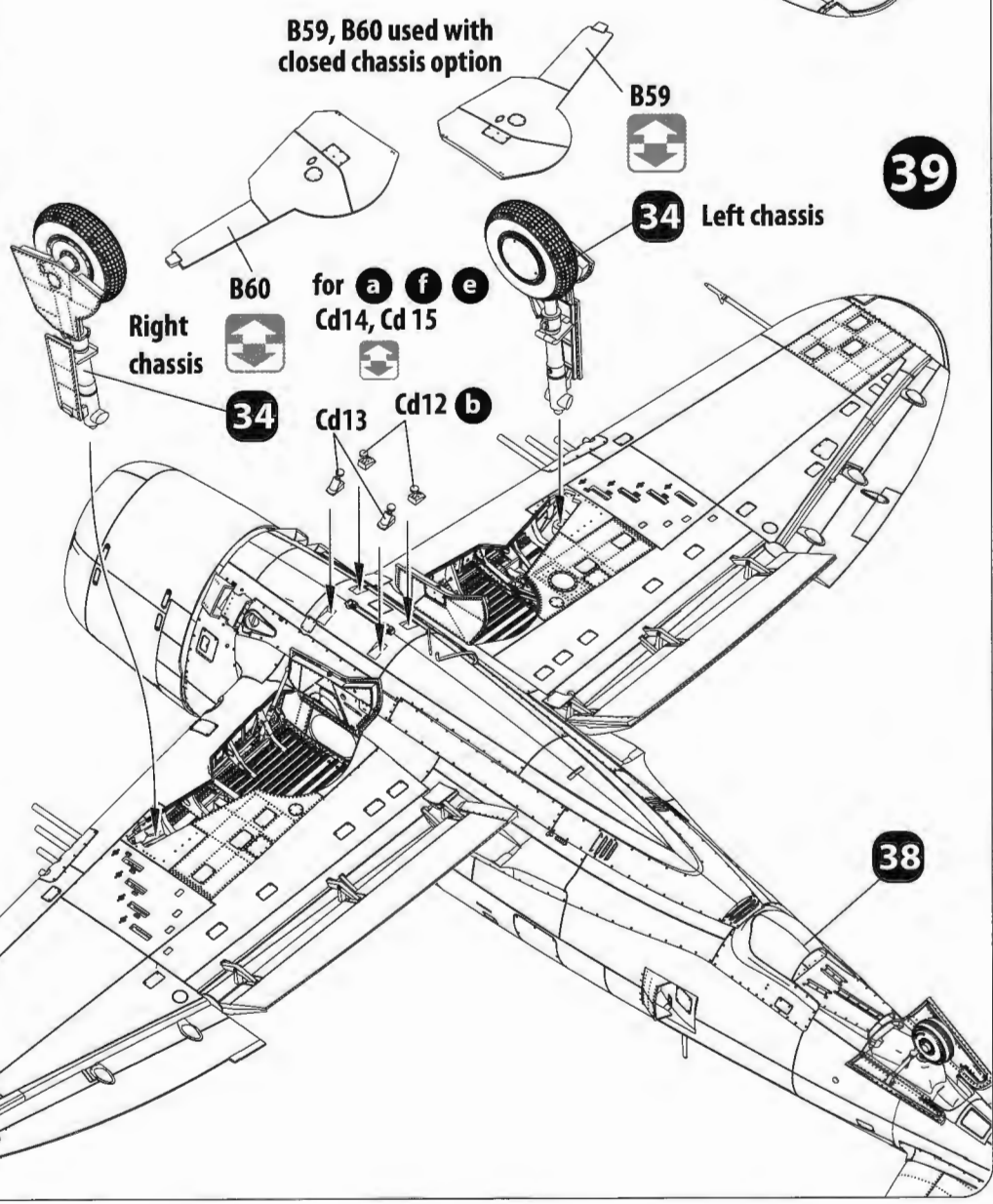
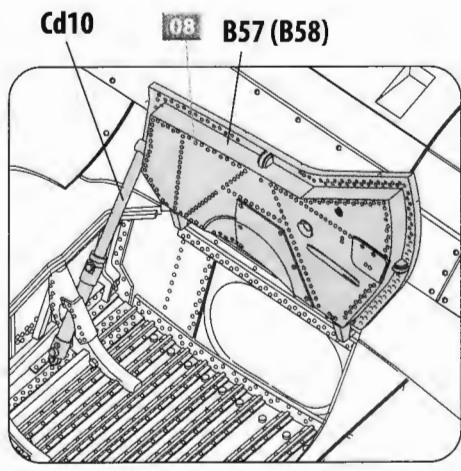
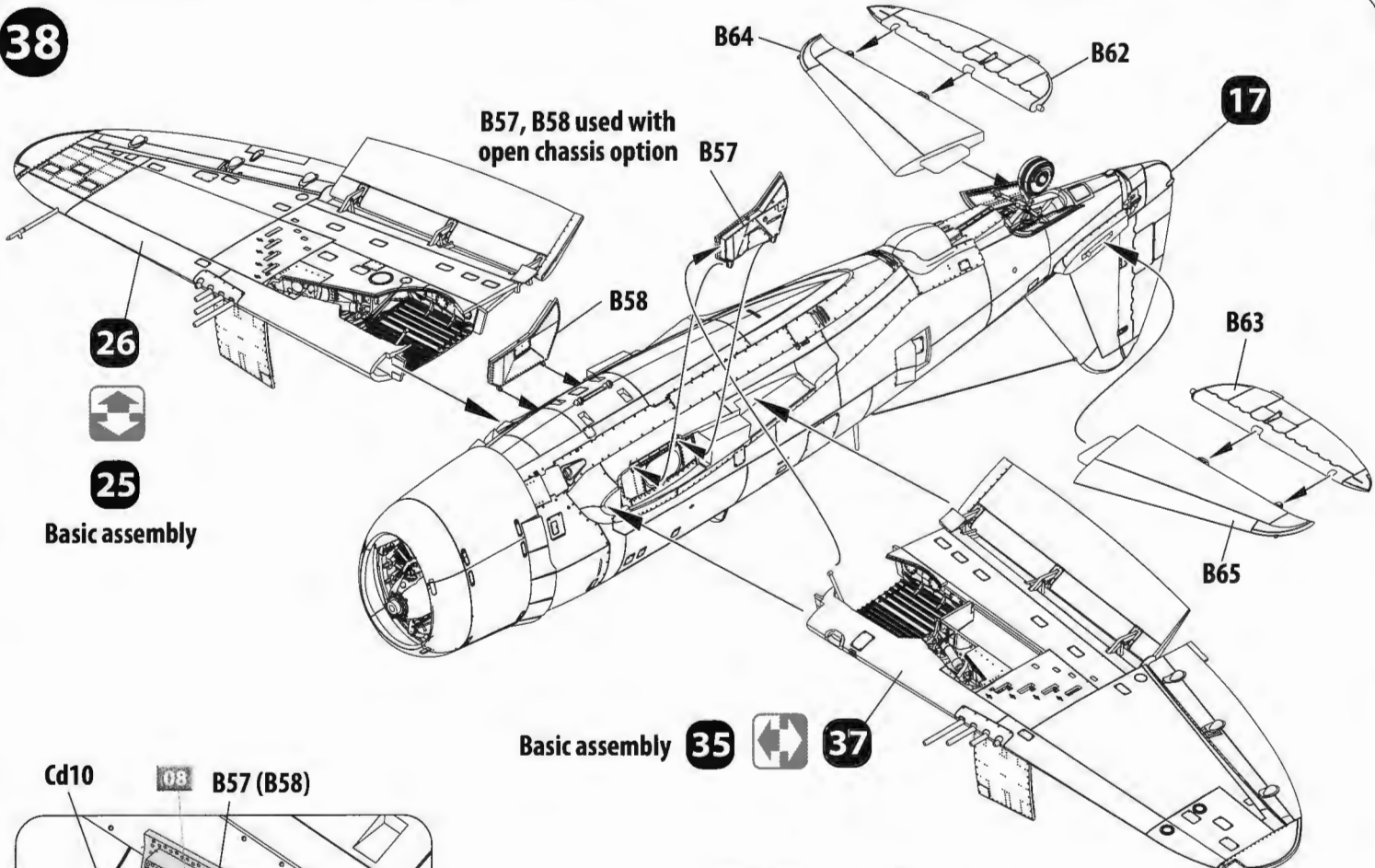


Advanced Assembly

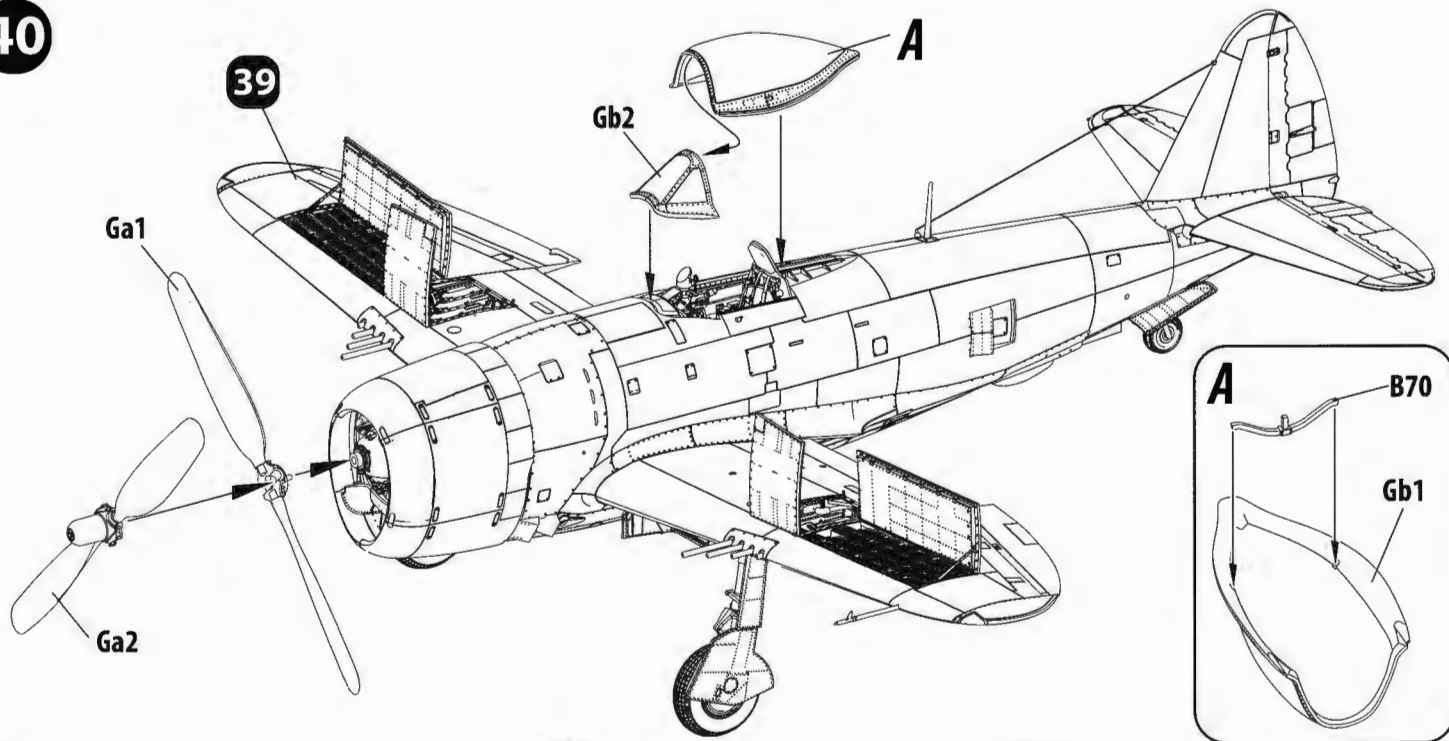


Basic Assembly

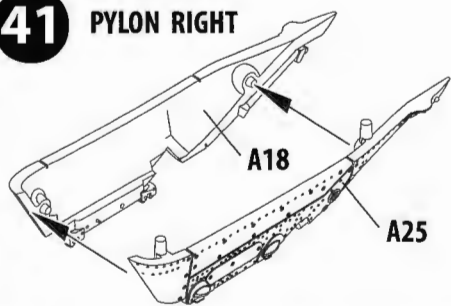




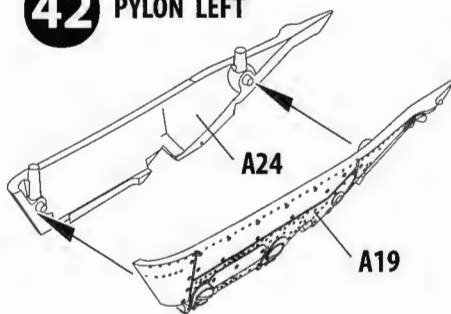
40



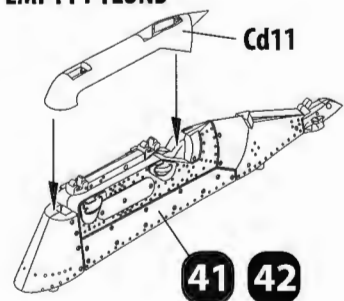
41 PYLON RIGHT



42 PYLON LEFT

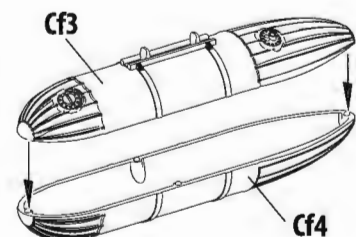
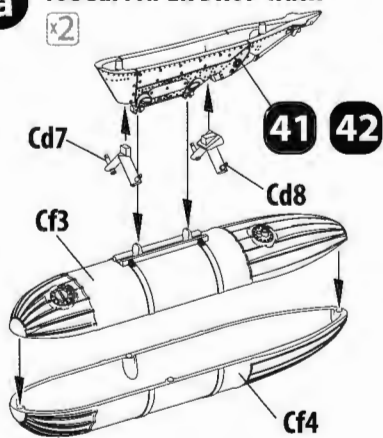


43 EMPTY PYLONS

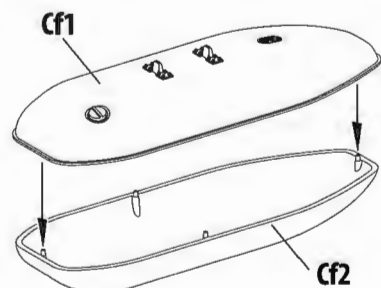
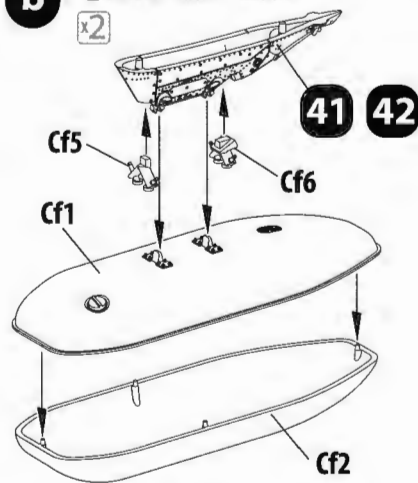


ARMAMENTS

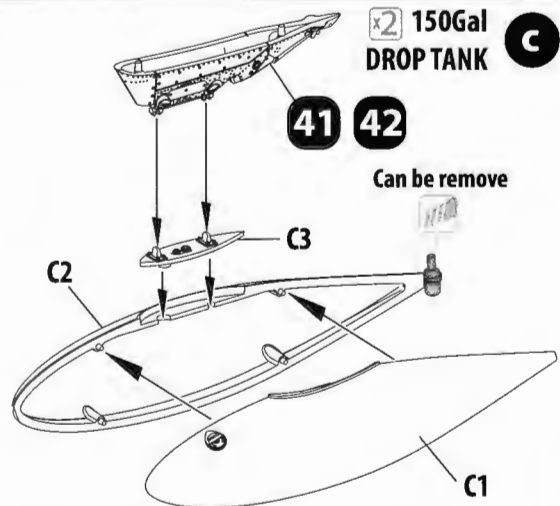
a 108Gal PAPER DROP TANK



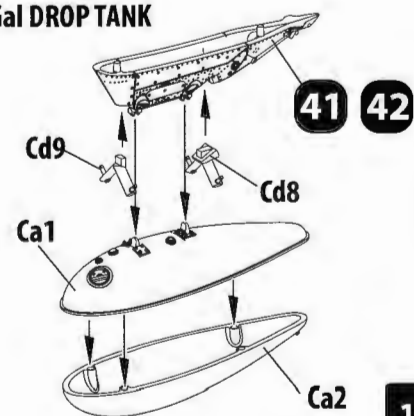
b 200Gal DROP TANK



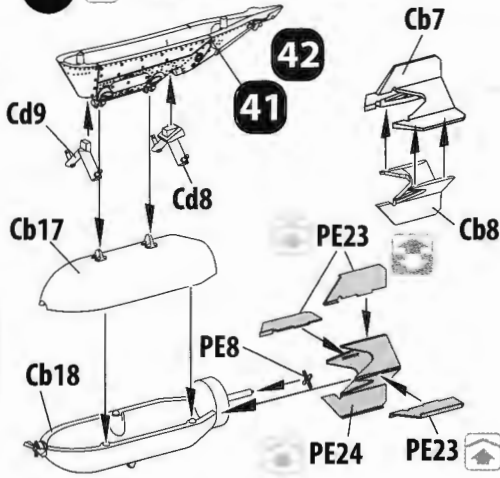
c x2 150Gal DROP TANK



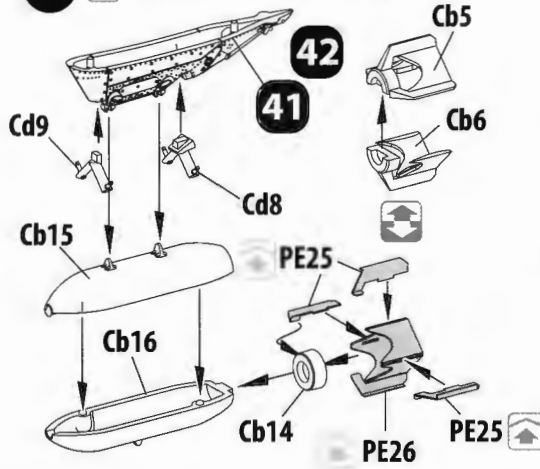
d 75Gal DROP TANK



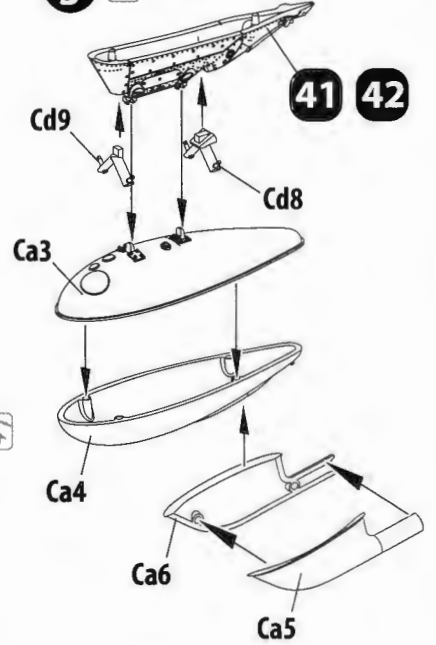
e x2 1000lb AN-M65 BOMBS



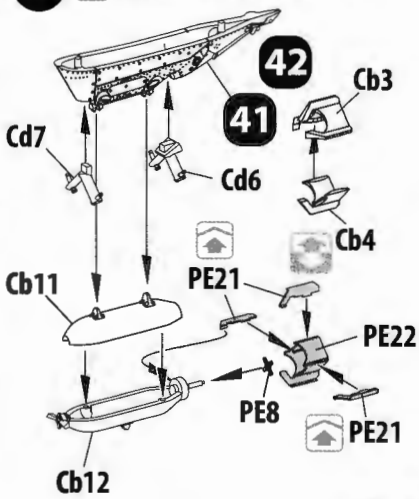
f x2 1000lb AN-M59 BOMBS



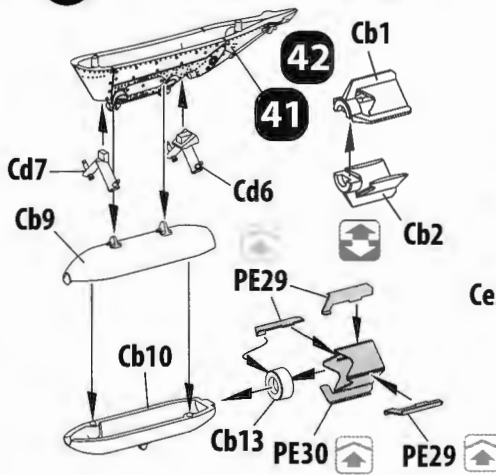
g x2 SMOKE GRENADE



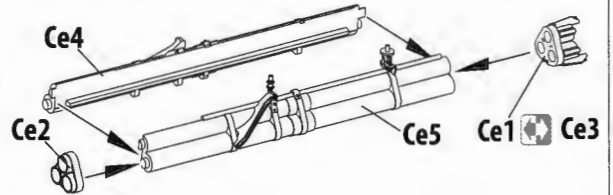
h x2 250lb AN-M57 BOMBS



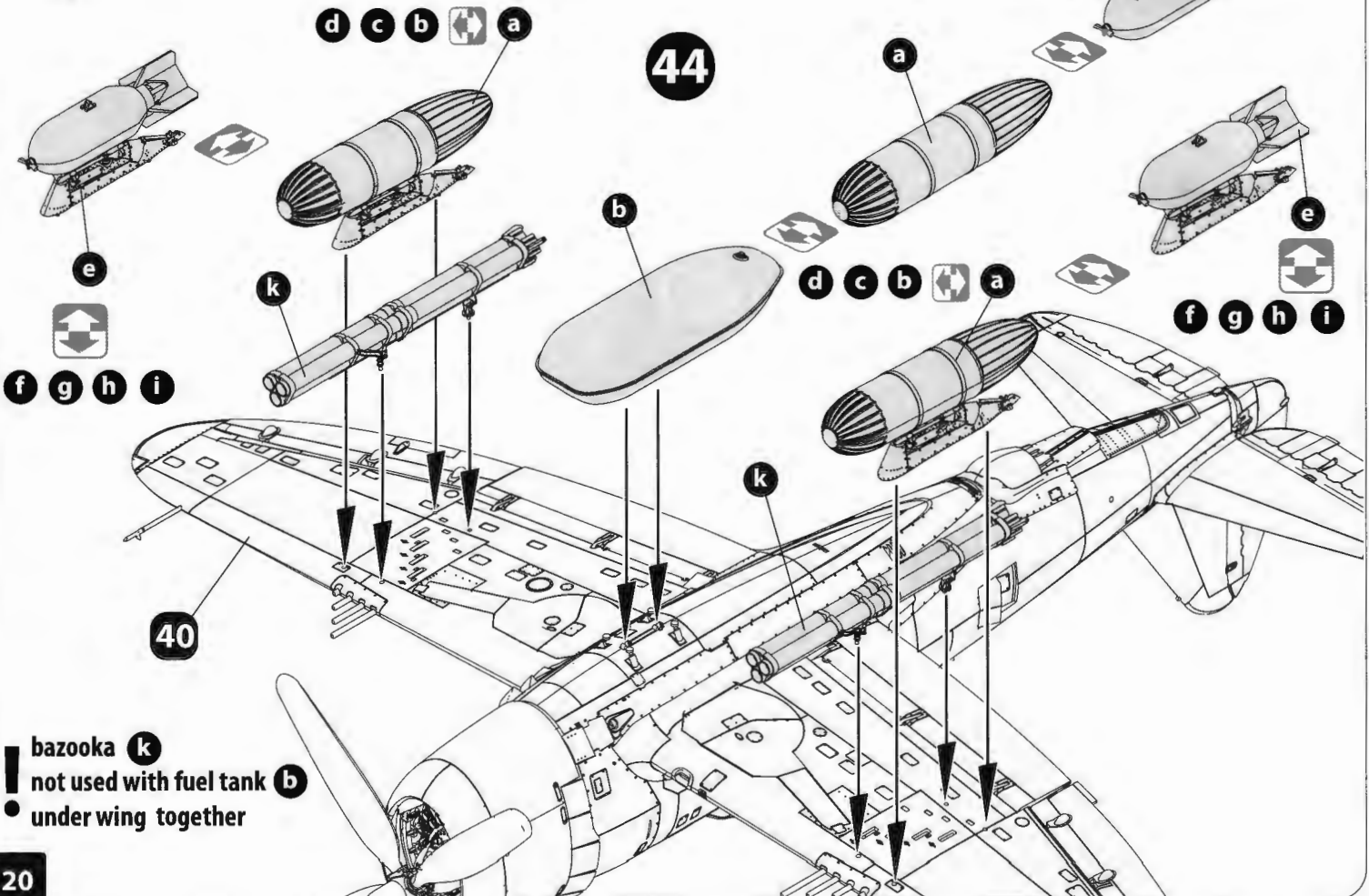
i x2 500lb AN-M58A1 BOMBS



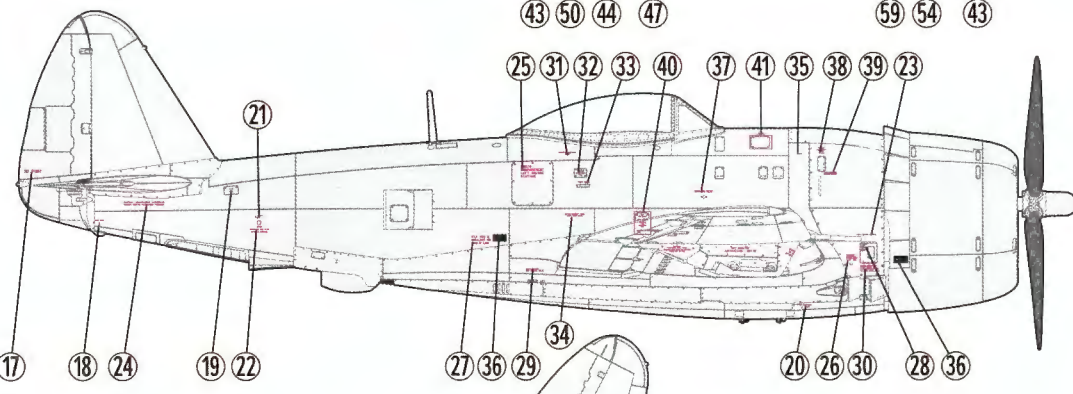
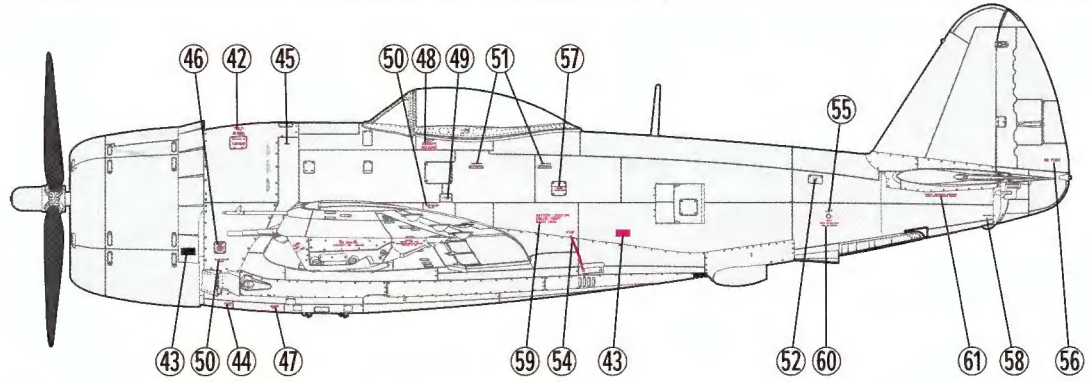
k x2 4,5" ROCKET LAUNCHER TUBE



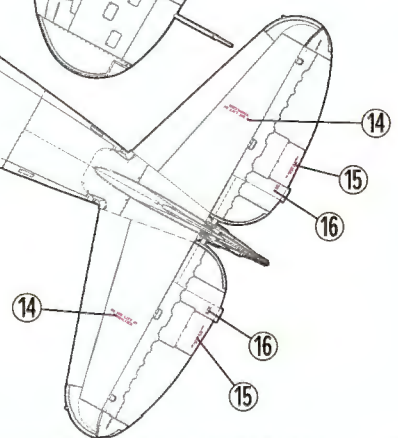
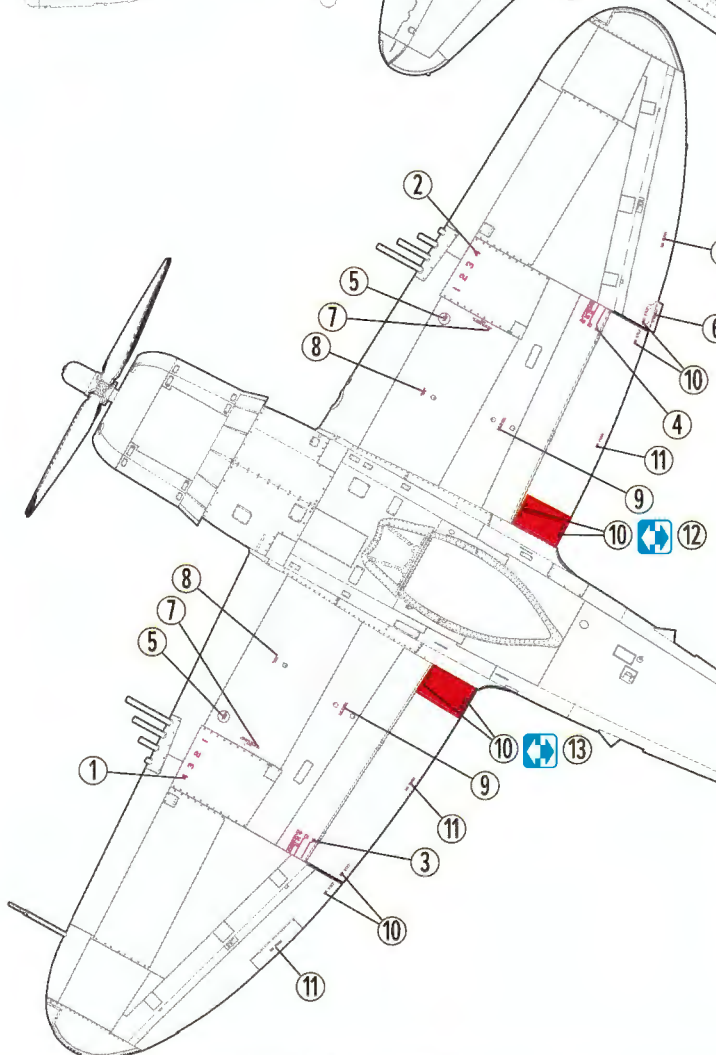
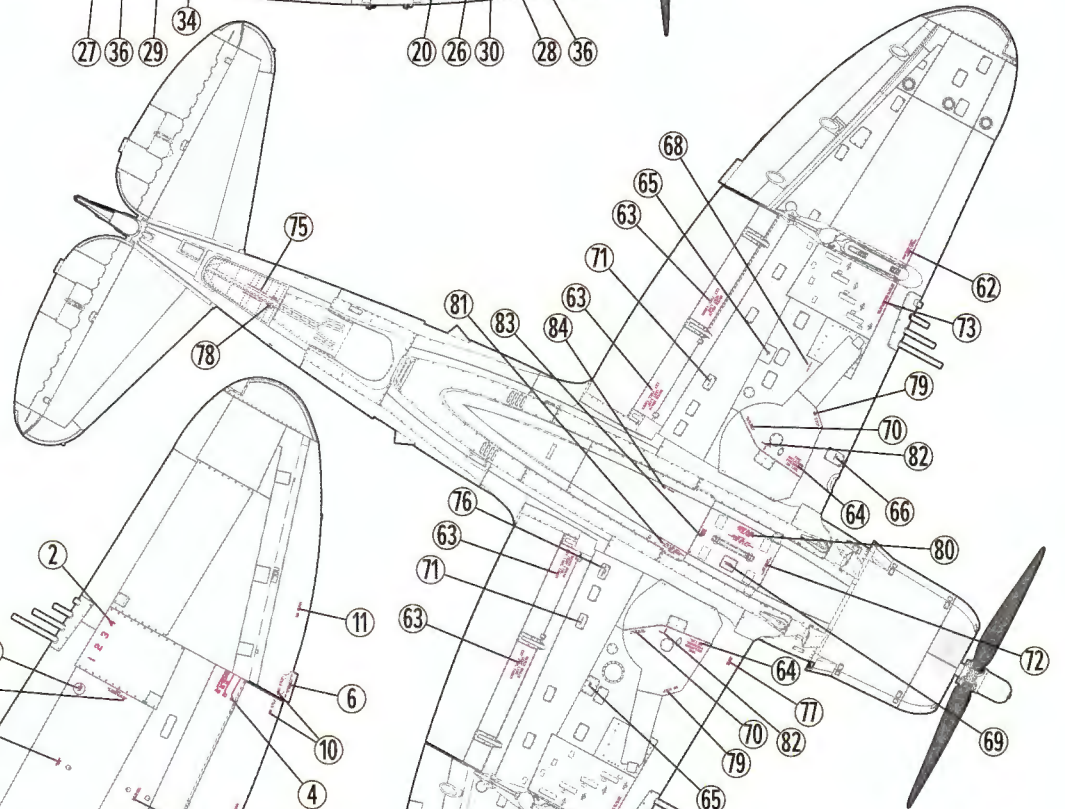
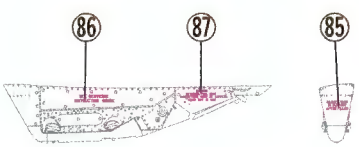
without pylons



- bazooka **k**
- not used with fuel tank **b**
- under wing together

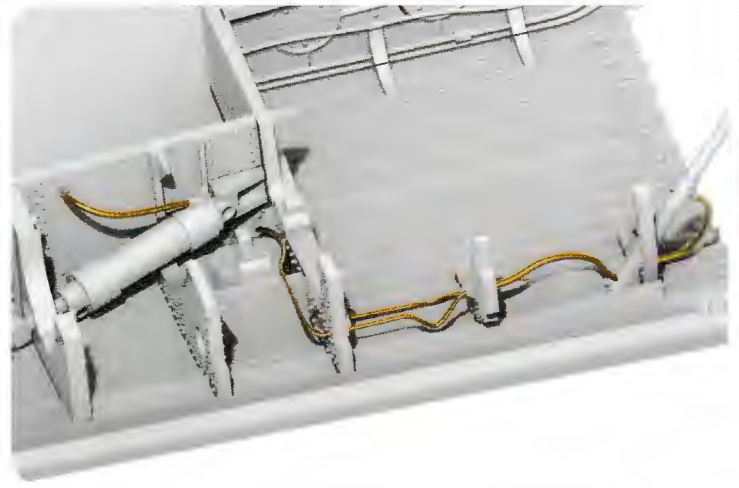
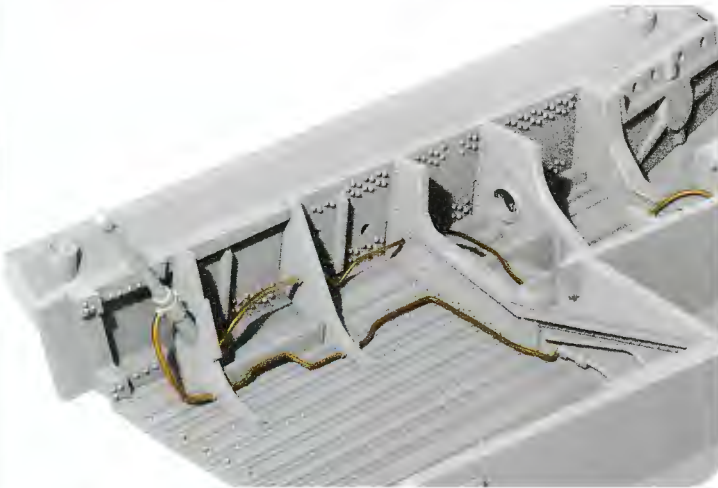


**PYLONS MARKINGS
OUTSIDE ONLY**

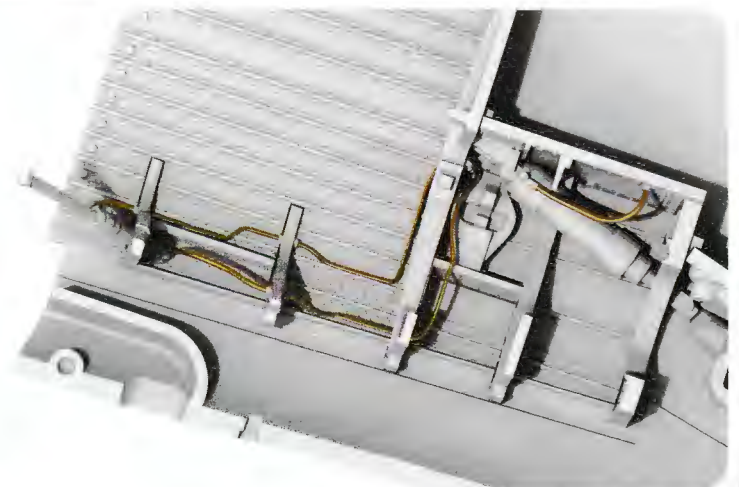
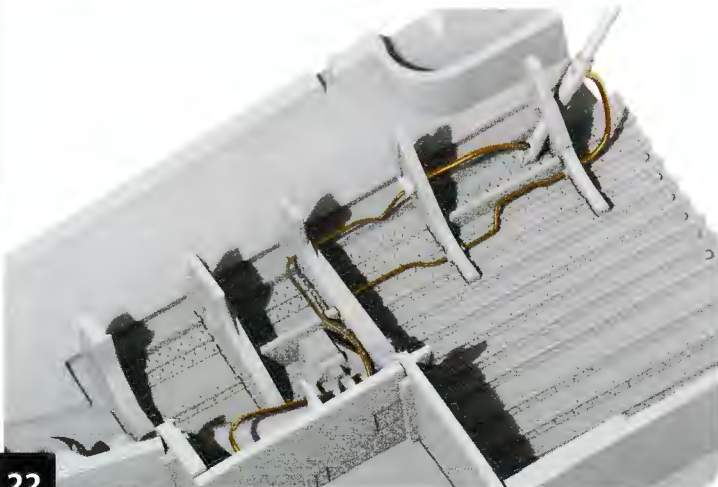




Wiring Diagrams of left Wing



Wiring Diagrams of right Wing



P-47D-25RE THUNDERBOLT

ARMAMENT

Miniart: 48001

ADVANCED KIT

250lb AN-M57 BOMBS



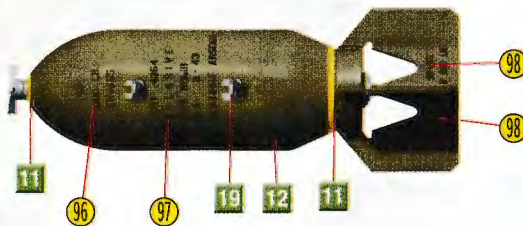
500lb AN-M58A1 BOMBS



1000lb AN-M59 BOMBS



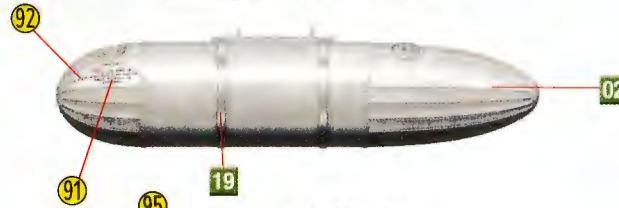
1000lb AN-M65 BOMBS



BAZOOKA



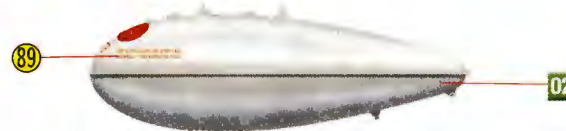
108Gal PAPER DROP TANK



150Gal DROP TANK



75Gal DROP TANK



200Gal DROP TANK



SMOKE GRENADE



COLOR CHART

Nº	Color	Vallejo	Mr. Color	AK RC	Mission Models	AMMO MIG	Tamiya	Color name
01	Green	71.137	C-351	RC-262	MMP-059	A.MIG-0220	XF-05	FS 34151 (Interior Green)
02	Aluminum	71.062	C-090	RC-020	MMM-008	A.MIG-0194	XF-16	Aluminum
03	Yellow Grey	71.326	C-321	RC-018	MMP-039	A.MIG-0057	XF-55	Yellow Grey
04	Black	71.057	C-033	RC-001	MMP-047	A.MIG-0046	XF-01	Black
05	Olive Drab	71.043	C-027	RC-262	MMP-059	A.MIG-0237	XF-04	Olive Drab
06	Brown	71.041	C-310	RC-035	MMP-033	A.MIG-0076	XF-10	Brown
07	Red	71.003	C-003	RC-006	MMP-003	A.MIG-0049	XF-07	Red
08	Yellow	71.107	C-352	RC-263	MMP-067	A.MIG-0221	XF-07	FS 33481 Zinc Chromate Yellow
09	Blue	71.109	C-072	RC-297	MMP-071	A.MIG-0062	XF-18	FS 35164 Intermediate Blue
10	Green Drab	71.325	C-518	RC-304	MMP-052	A.MIG-0240	XF-62	FS 34086 (ANA 613) Green Drab
11	Yellow	71.078	C-004	RC-007	MMP-041	A.MIG-0125	XF-03	Yellow
12	Dark Olive Drab	71.016	C-012	RC-259	MMP-091	A.MIG-0237	XF-62	FS 23070 Dark Olive Drab
13	White	71.001	C-062	RC-004	MMP-001	A.MIG-0050	XF-02	White
14	Neutral Gray	71.274	C-013	RC-261	MMP-114	A.MIG-0239	XF-20	FS 36122 Neutral Gray
15	Medium Green	71.124	C-302	RC-260	MMP-066	A.MIG-0238	XF-67	FS 34092 Medium Green
16	Light Grey	71.046	C-603	RC-210	MMP-102	A.MIG-0911	XF-19	Light Grey
17	Tire Black	71.251	C-137	RC-022	MMP-040	A.MIG-0033	XF-85	Tire Black
18	Brass	71.067	C-219	AK-460	MMM-009	A.MIG-0197	X-12	Brass
19	Steel	71.072	C-028	AK-476	MMM-002	A.MIG-0191	XF-56	Steel

AIRPLANES SERIES

SCALE 1:48

P-47D-25RE THUNDERBOLT

basickit

PLASTIC MODEL KIT
BOX CONTAINS MODELS OF AIRPLANE
& DECAL SHEET



800THZI

48009

1:48 SCALE
AIRPLANES SERIES



ACCESSORIES SERIES

SCALE 1:48

MiniArt
49001

U.S. FUEL DRUMS 55 GAL.

PLASTIC MODEL KIT
BOX CONTAINS MODELS OF
20 FUEL DRUMS
DECAL SHEET IS INCLUDED
THIS IS NOT A TOY



SCALE
1:48

ACCESSORIES SERIES

MiniArt
49002

GERMAN FUEL DRUMS 200L

PLASTIC MODEL KIT
BOX CONTAINS MODELS OF 20 FUEL DRUMS
THIS IS NOT A TOY



SCALE
1:48

ACCESSORIES SERIES

MiniArt
49003

ALLIED JERRY CANS WWII

PLASTIC MODEL KIT
BOX CONTAINS MODELS OF 40 JERRY CANS
DECAL SHEET IS INCLUDED
THIS IS NOT A TOY



SCALE
1:48

ACCESSORIES SERIES

MiniArt
49004

GERMAN JERRY CANS SET WW II

UNASSEMBLED PLASTIC MODEL KIT
BOX CONTAINS MODELS OF 35 CANS
DECAL SHEET INCLUDED
THIS IS NOT A TOY



SCALE
1:48

ACCESSORIES SERIES