

THIS DETAIL KIT IS MANUFACTURED FROM PHOTO ETCHED BRASS SHEET AND IS FOR USE ON THE ITALERI MODEL. IT COULD WITH SOME MODIFICATION AND TRIMMING BE USED ON THE AIRFIX VERSION.

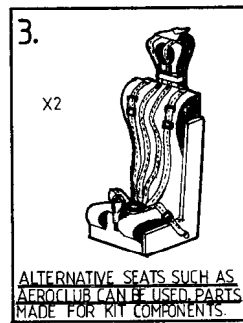
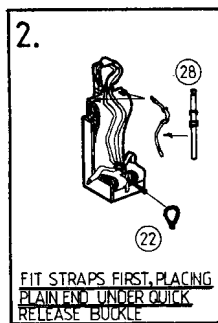
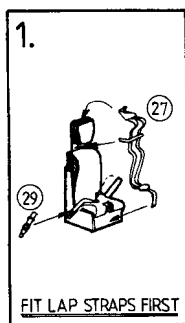
TO SEPARATE COMPONENTS USE A SMALL CHISEL OR SHARP STANLEY KNIFE, USING A FIRM CUTTING SURFACE, CUTTING AS NEAR TO THE REQUIRED PART AS POSSIBLE. ANY TAG SCARS CAN BE FILED AWAY USING A FINE FILE HOLDING THE PART FIRMLY IN A PAIR OF PLIERS. TO FOLD COMPONENT, SUPPORT PART FULLY UP TO LINE OF FOLD, THEN FOLD IN ONE GO. SMALL PARTS CAN BE FOLDED BY HOLDING IN PLIERS AND FOLDING OVER WITH THE BLADE OF A SCREWDRIVER, TO THE CORRECT ANGLE.

TO GLUE PARTS TOGETHER USE EITHER SUPERGLUE OR EPOXY, APPLYING WITH A SMALL IMPLEMENT RATHER THAN STRAIGHT FROM THE TUBE.

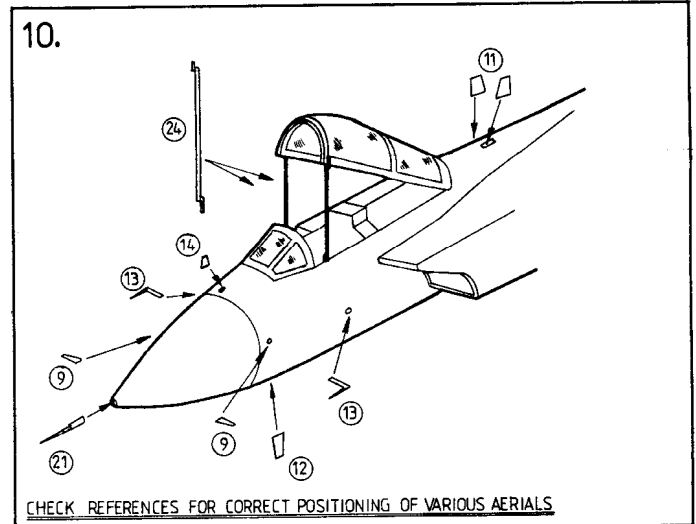
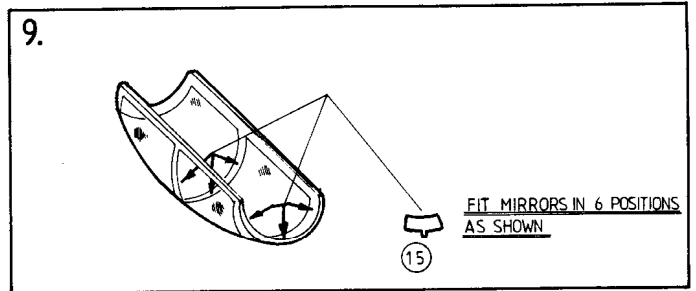
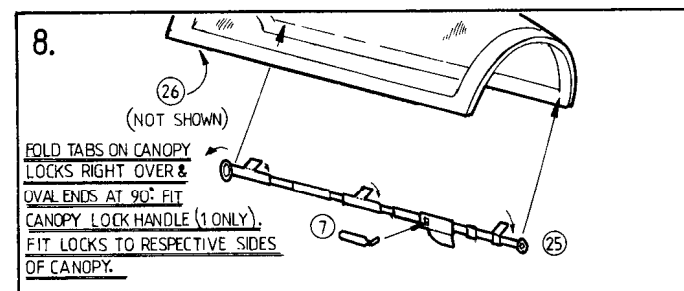
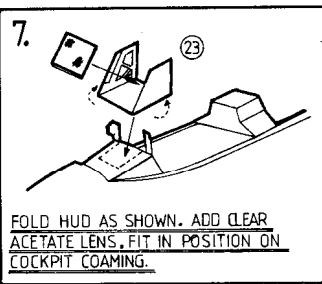
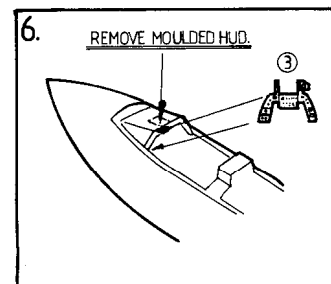
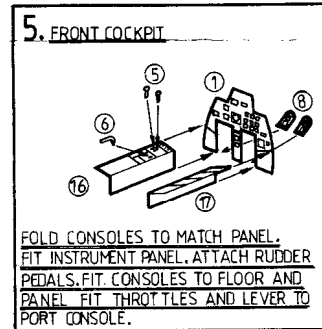
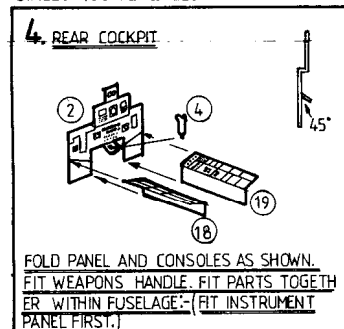
BEFORE PAINTING ENSURE PARTS ARE FULLY DEFLUXED BY CLEANING WITH WASHING UP LIQUID AND RINSING WITH CLEAN WATER. PARTS SHOULD THEN BE DRIED THOROUGHLY AND PRIMED WITH EITHER SELF ETCHING PRIMER, WHITE OR GREY ENAMEL.

POSITION OF PARTS IN DIAGRAMS ARE FOR GUIDANCE ONLY. COLOURING AND FINAL POSITION SHOULD BE CHECKED AGAINST REFERENCE MATERIAL. WE RECOMMEND THE AEROGUIDE NO 24 AND ALSO 'RAF TORNADO' BY IAN ALLAN. BOTH ARE AVAILABLE FROM E.D. MODELS.

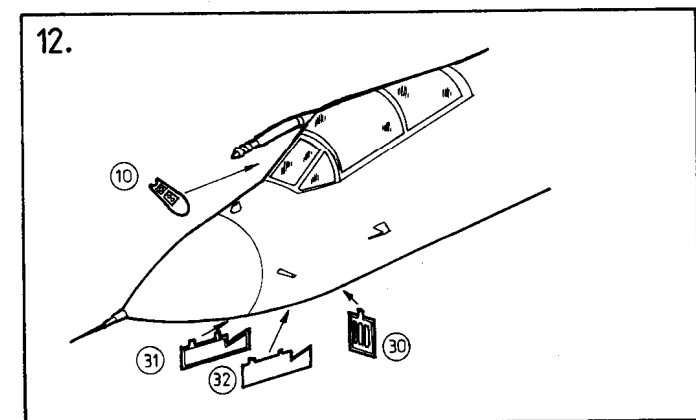
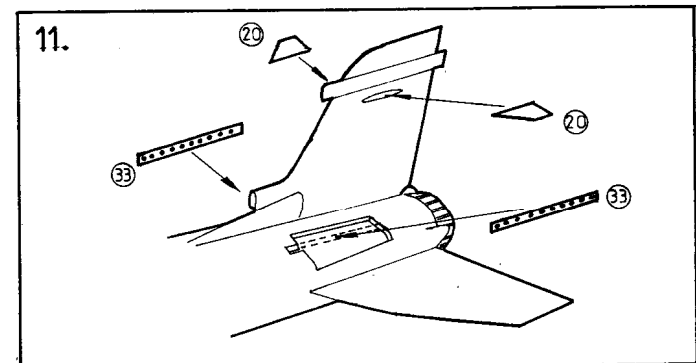
COMPONENTS AND ILLUSTRATIONS BY KEITH MELVILLE. COMPONENTS MANUFACTURED IN ENGLAND BY TIM PERRY FOR E.D. MODELS.



STAGES 4&5 PLACE GLOSS BLACK PLASTICARD BEHIND INSTRUMENT POSITIONS.



HAVE YOU TRIED THE OTHER KITS IN THIS RANGE? THEY ARE :-
72-01 WESTLAND WESSEX
72-02 E.E. LIGHTNING F1/F3



THIS IS ONE OF THE AIRWAVES RANGE OF MODEL ACCESSORIES MANUFACTURED FOR AND DISTRIBUTED BY E.D. MODELS, 64 STRATFORD ROAD, SHIRLEY, SOLIHULL WEST MIDLANDS, B90 3LP, ENGLAND. TELEPHONE 021-744-7488.

PLEASE NOTE THAT THIS ARTWORK IS PROTECTED BY COPYRIGHT AND CANNOT BE REPRODUCED IN ANY FORM WITHOUT PRIOR WRITTEN CONSENT OF E.D. MODELS.