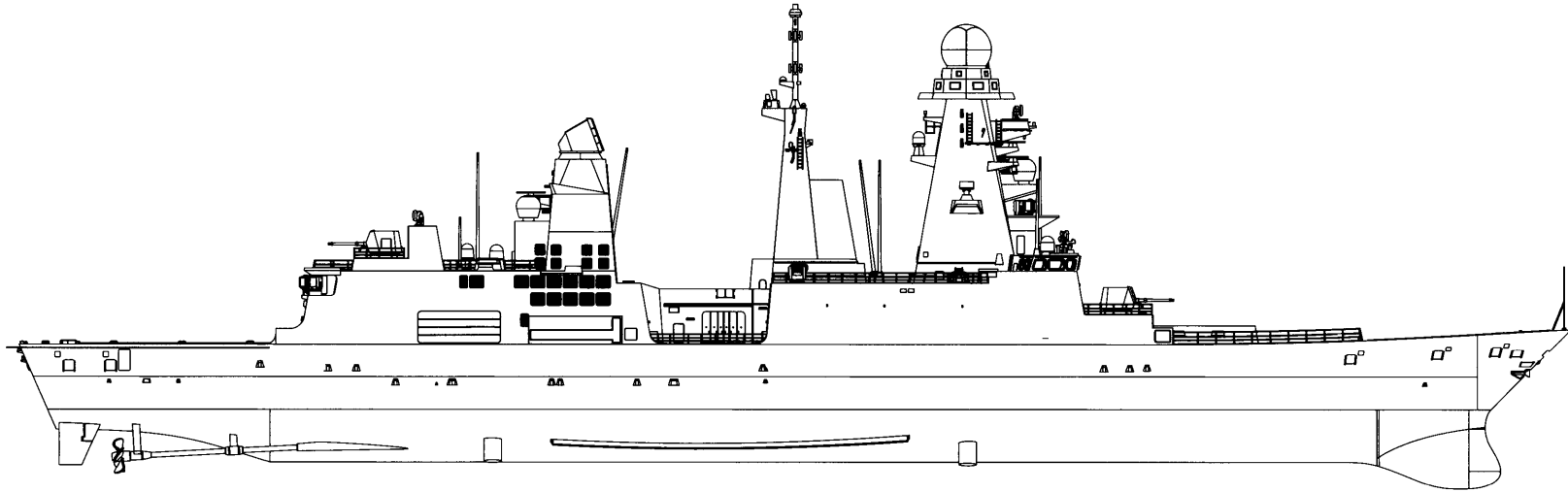


ITALIAN HORIZON CLASS DESTROYER

D553 ANDREA DORIA / D554 CAIO DUILIO



An international joint venture company was established in 1995 to produce new warships, known in Italy as Project Orizzonte (Horizon). In 1999, the United Kingdom left the project, so France and Italy continued development on their own, resulting in a contract being signed in 2000 to jointly produce two ships for each country.

The two ships ordered by Italy were to be called the Andrea Doria and Caio Duilio. The first one was commissioned in 2007, reaching full operational capability in 2008. The second ship followed in 2009. These vessels have enhanced stealth features with significantly reduced radar cross section and noise levels. The main radar is the EMPAR phased array multi-purpose radar, which detects aerial targets and provides tracking for the missiles. The Horizon class destroyers are fitted with a 48-cell Vertical Launch System (VLS) for a mix of Aster-15 (range 30 km) and Aster-30 (range 120 km) surface-to-air missiles.

Anti-ship capability comes from two quadruple launchers. French warships are armed with MM.40 Exocet anti-ship missiles, while Italian warships carry OTOMAT Teseo Mk.2A anti-ship missiles with a range of 180 km and a 210 kg warhead. They are armed with three 76 mm rapid-firing guns and two Oerlikon 25 mm cannons for engaging small surface targets. These destroyers are also armed with two twin launchers for MU90 lightweight torpedoes and two SLAT anti-torpedo launchers.

The Horizon class destroyers can accommodate a single NH90 HFH or AW101 helicopter, which can be used for long-range anti-submarine warfare, search and rescue, utility and other roles. Aviation facilities include a flight deck and hangar.

The ships have a Combined Diesel or Gas (CODOG) propulsion system. In economical low-speed cruising they use two diesel engines, developing 5875 shp each, and for high-speed operations there are two General Electric LM2500 gas turbines, developing 31280 shp each. These destroyers have a top speed of 29 knots (54 km/h) and a maximum range of 7000 nautical miles (13000 km) at 18 knots (33 km/h).

03.02.6007

READ BEFORE ASSEMBLY

CAUTION

- Read carefully and fully understand the instructions before commencing assembly. A supervising adult should also read the instructions if a child assembles the model.
- When assembling this kit, tools including knives used. Extra care should be taken to avoid personal injury.
- Keep out of reach of small children. Children must not be allowed to suck any part, or pull vinyl bag over their heads.



Be Careful



Instant Glue for Metal



Remove



Optional



Drill

PAINTS REQUIRED

Color info and profiles by Mig Jimenez

A.MIG-0032 Satin Black

A.MIG-0048 Red

A.MIG-0075 Stone Grey

A.MIG-0191 Steel

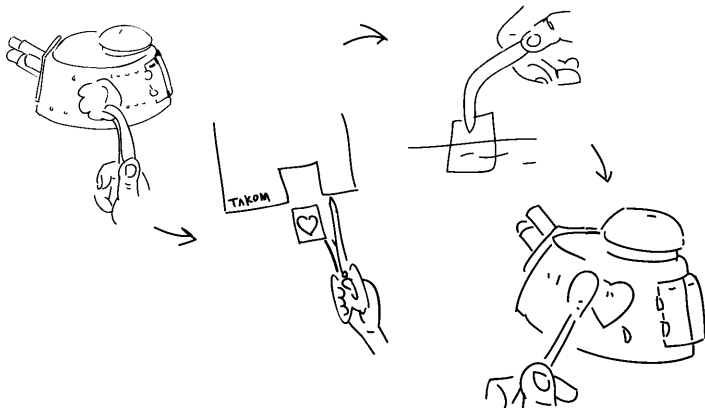
A.MIG-0192 Polished Metal

A.MIG-0197 Brass

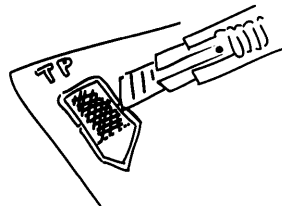
A.MIG-0910 Grey High Light

APPLYING DECALS

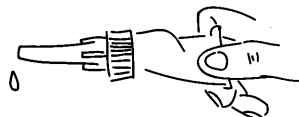
1. Clean the model surface with a wet cloth.
2. Cut out each decal design from sheet, and dip it in tepid water for 15-20 sec.
3. Hold the backing sheet edge and slide decal onto the model.
4. Move decal into position by wetting decal with finger.
5. Press decal gently down with a soft cloth until excess water and air bubbles are gone.



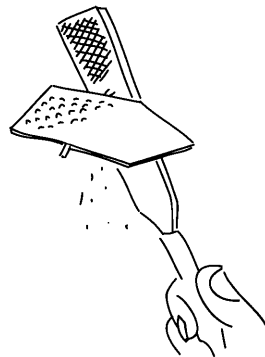
REMOVING PE



Be careful not to hurt when removing PE parts.

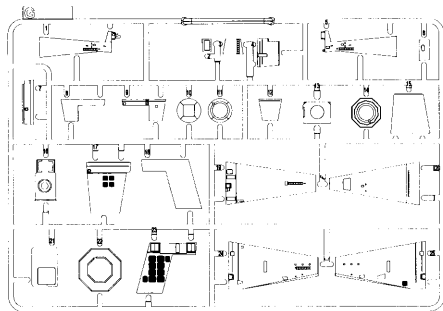
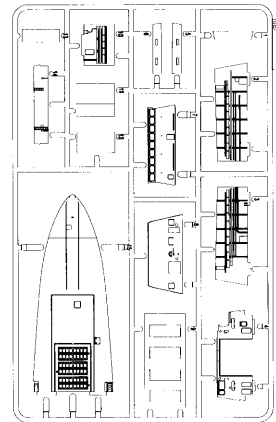
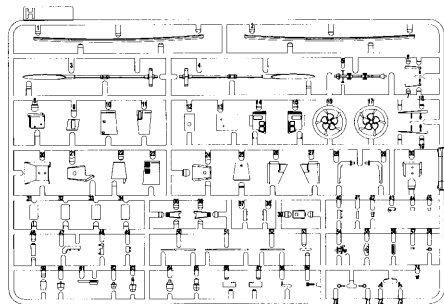
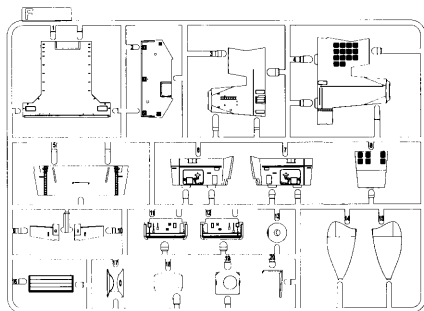
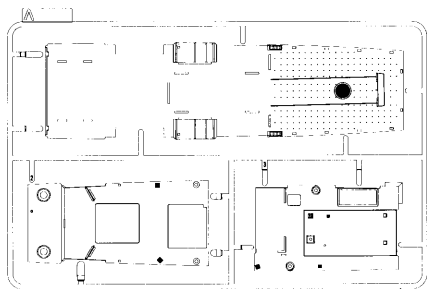


Secure using instant glue (not included).

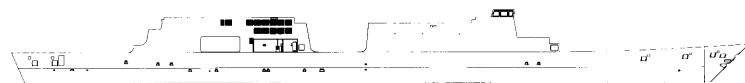


Finish using file.

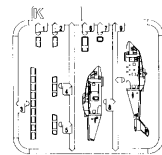
PARTS



E

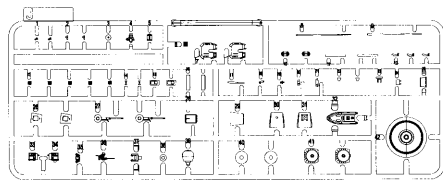


D

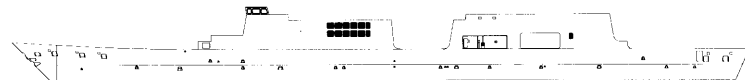


D 554 D 553
D 554 D 553

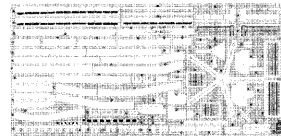
Decal



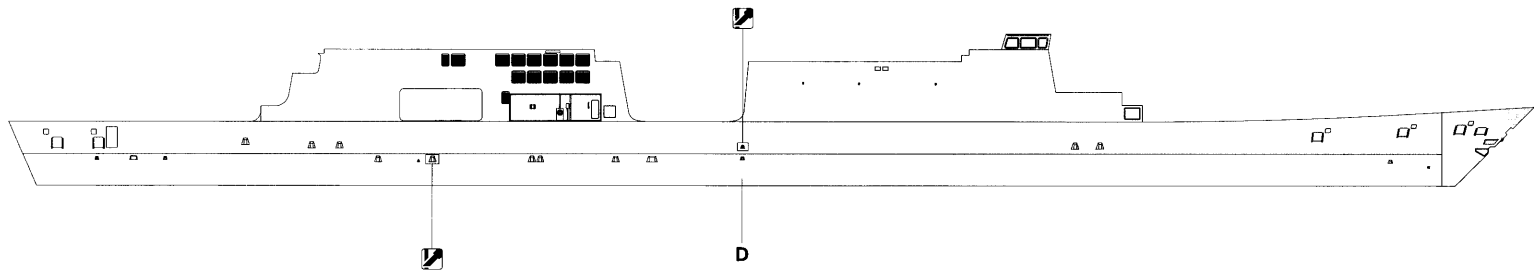
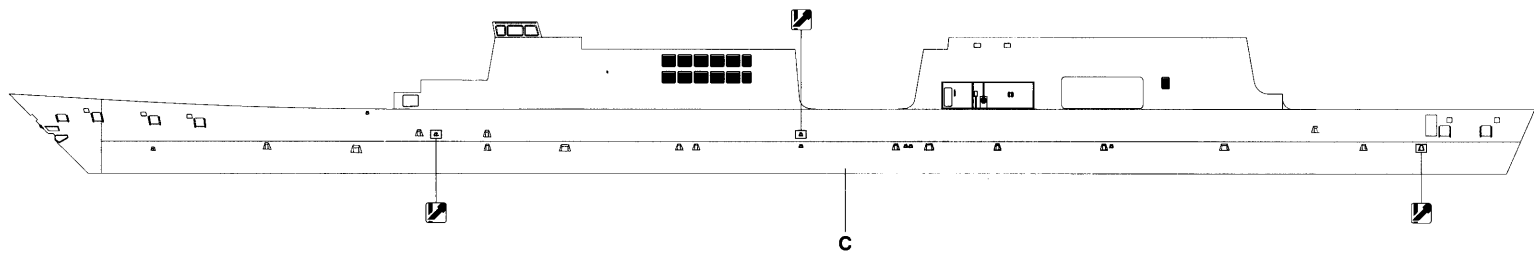
X2

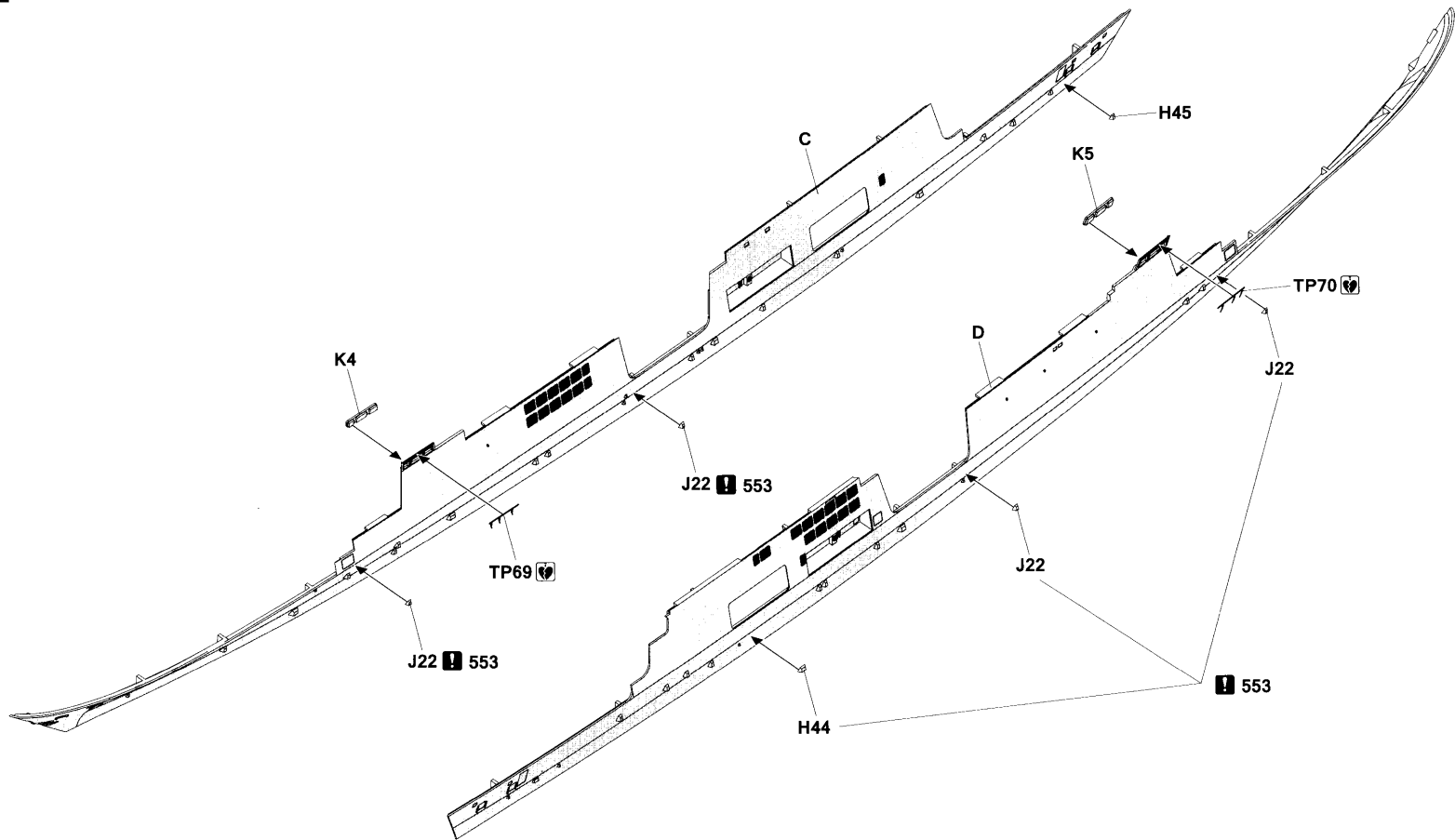


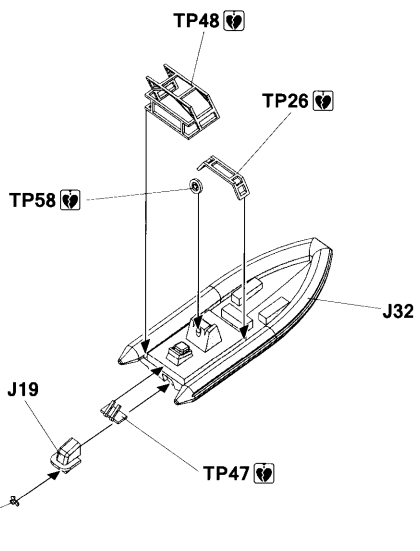
C



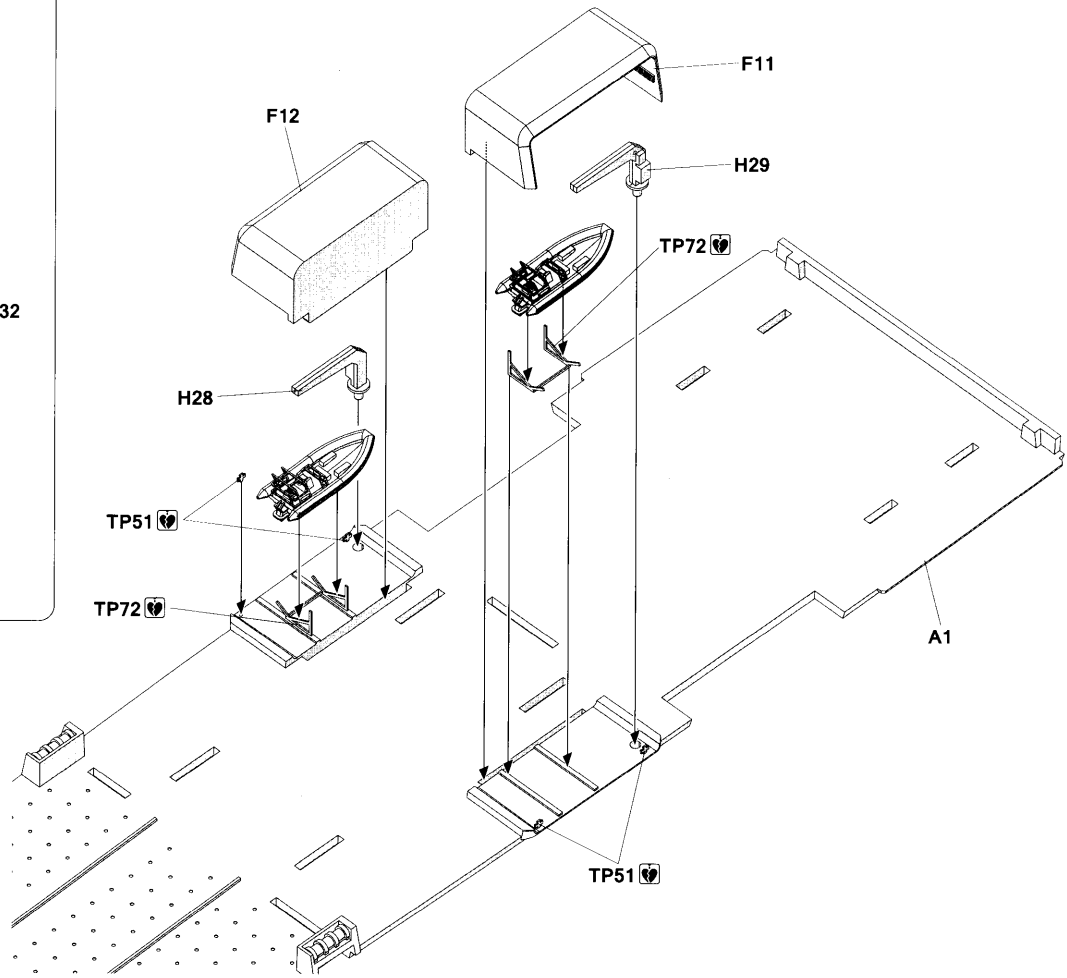
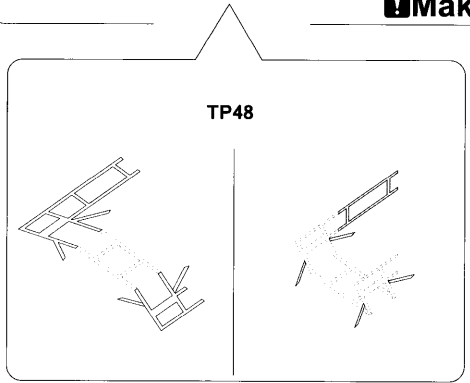
TP

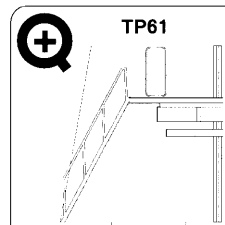
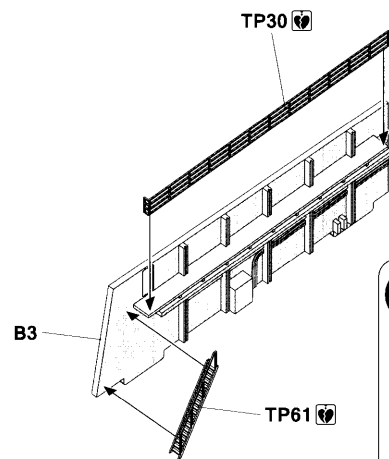
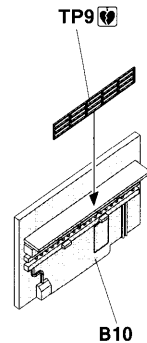
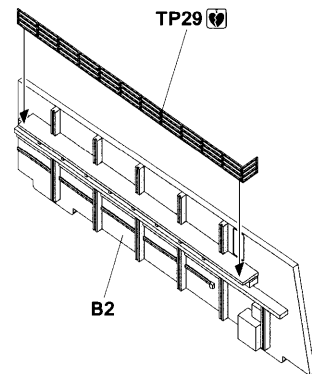
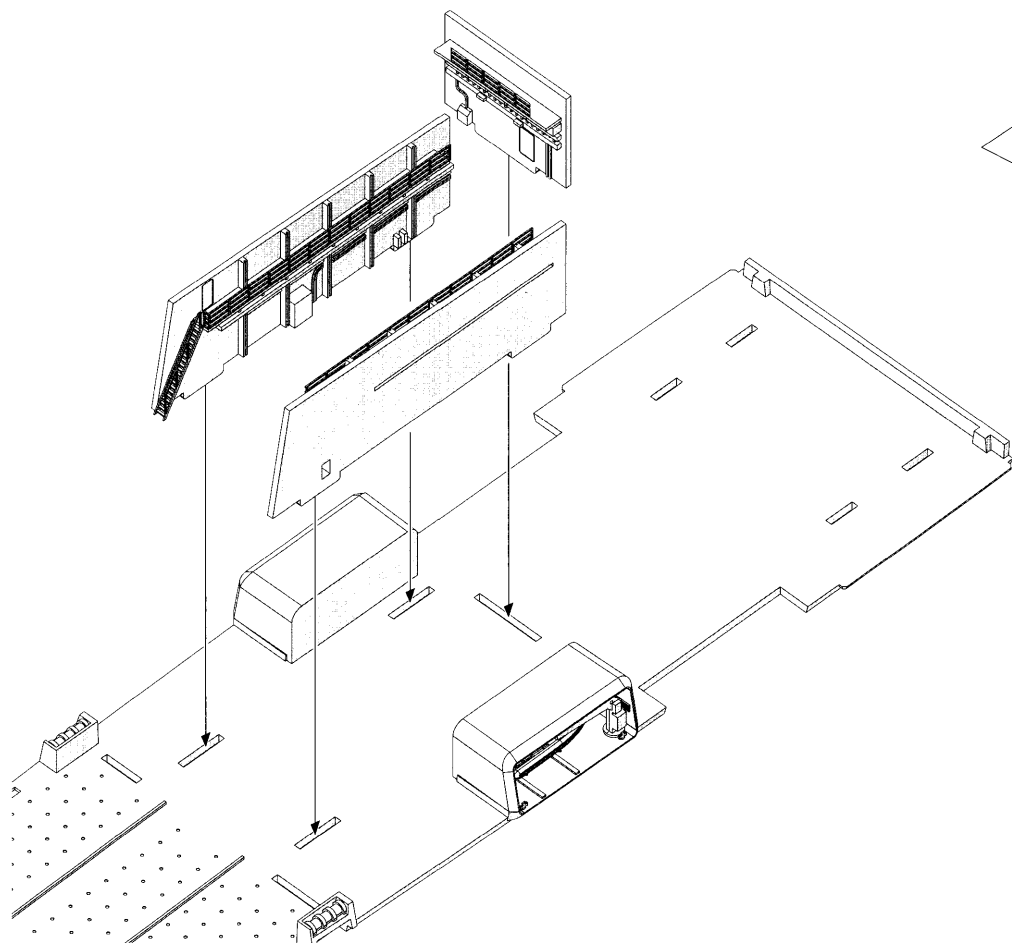




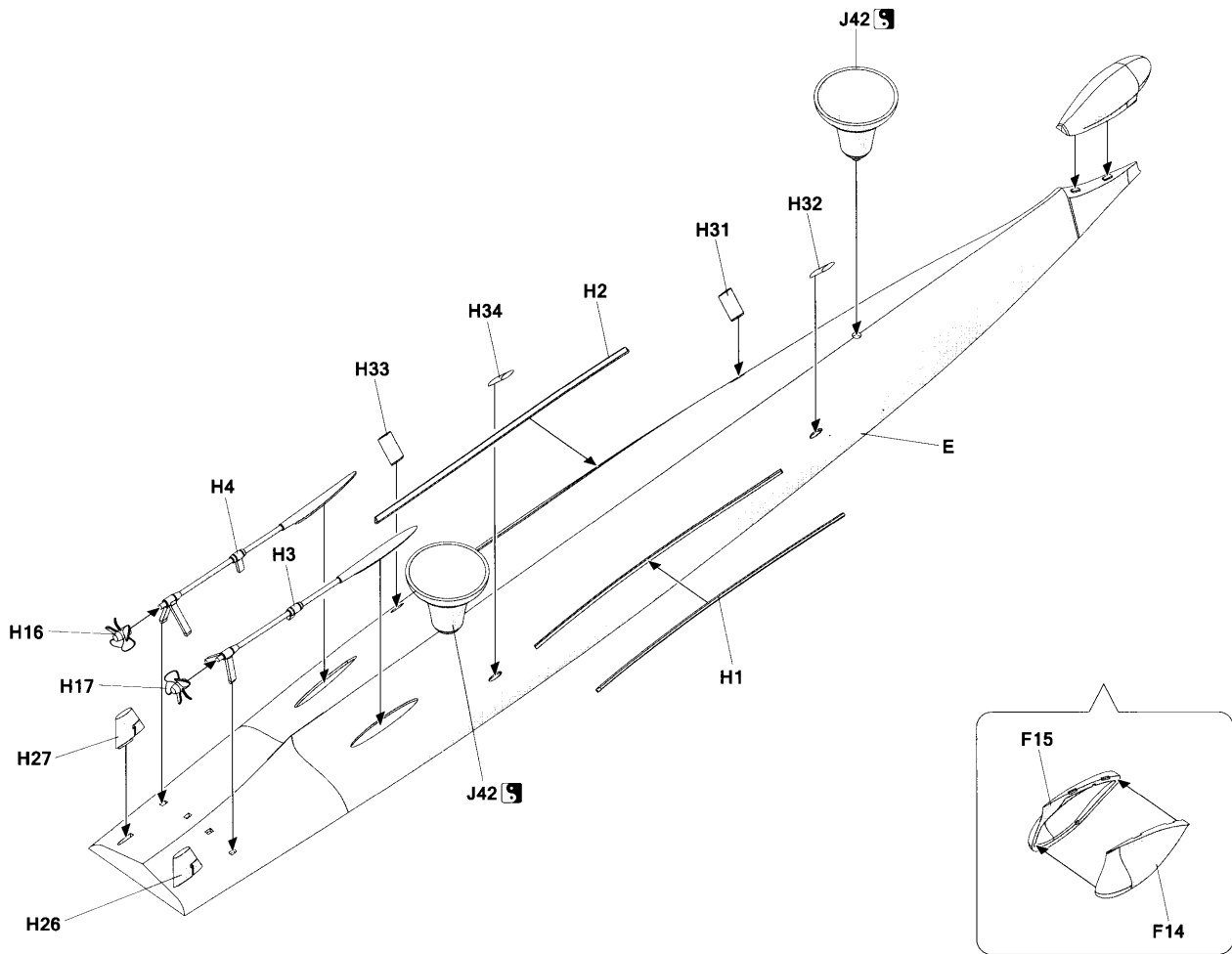
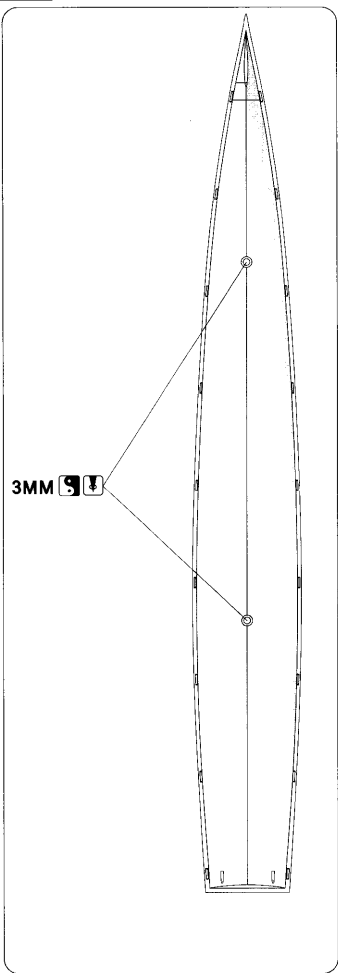


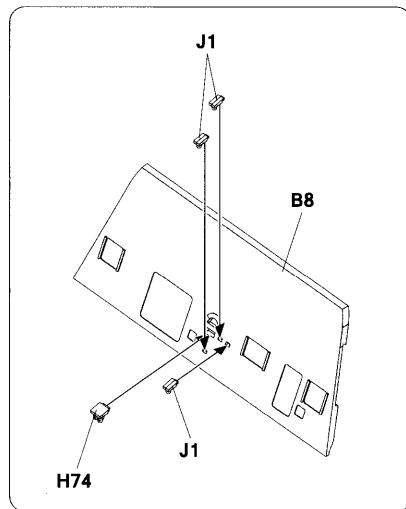
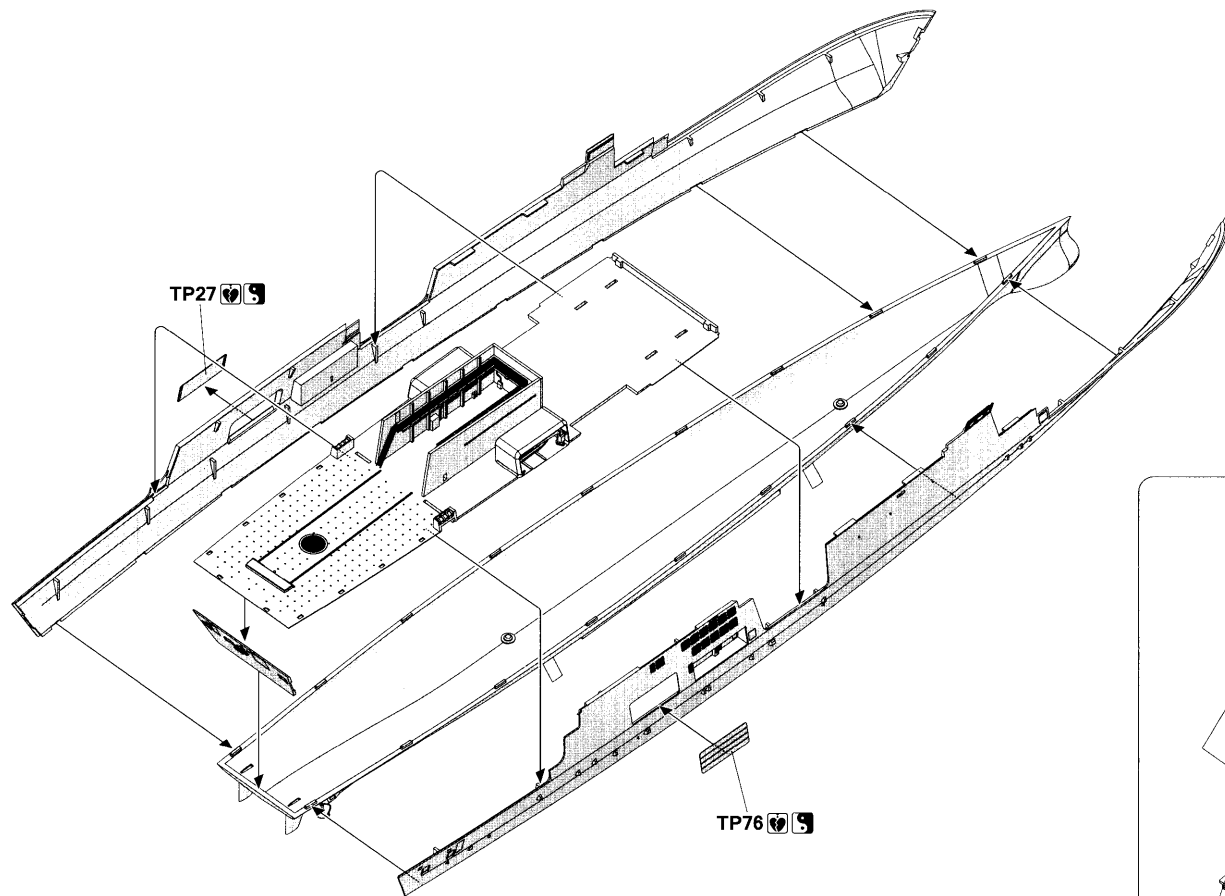
Make 2

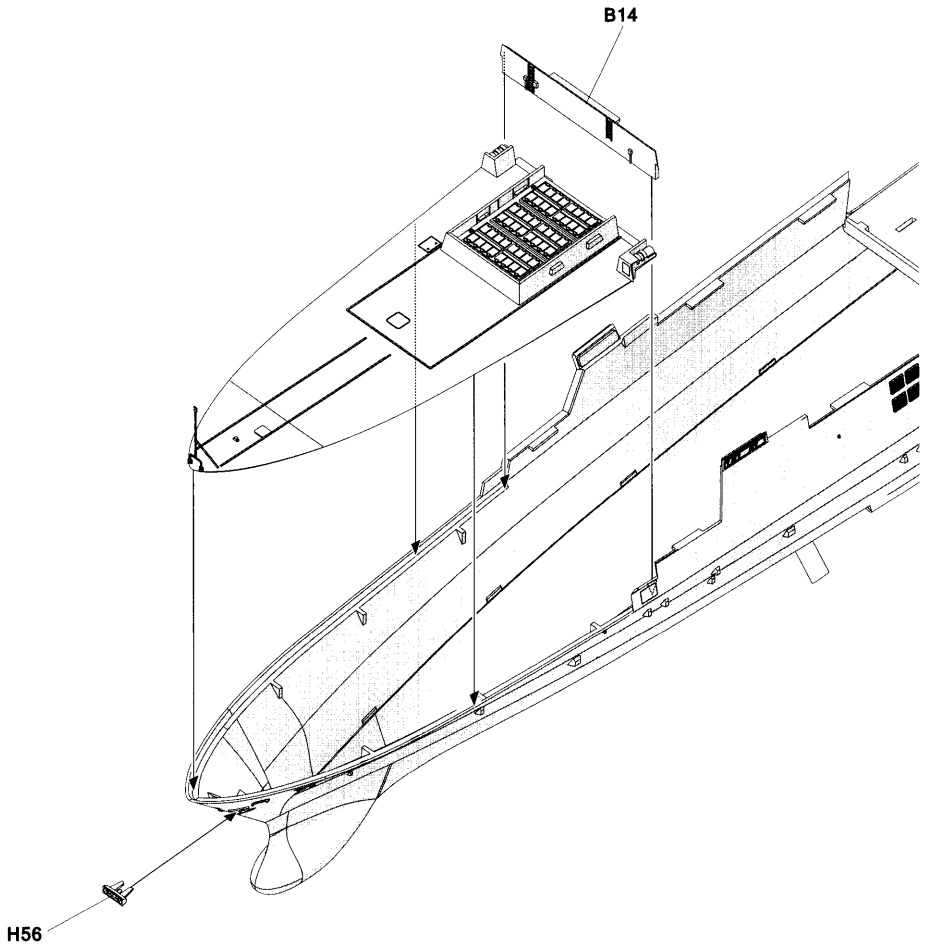
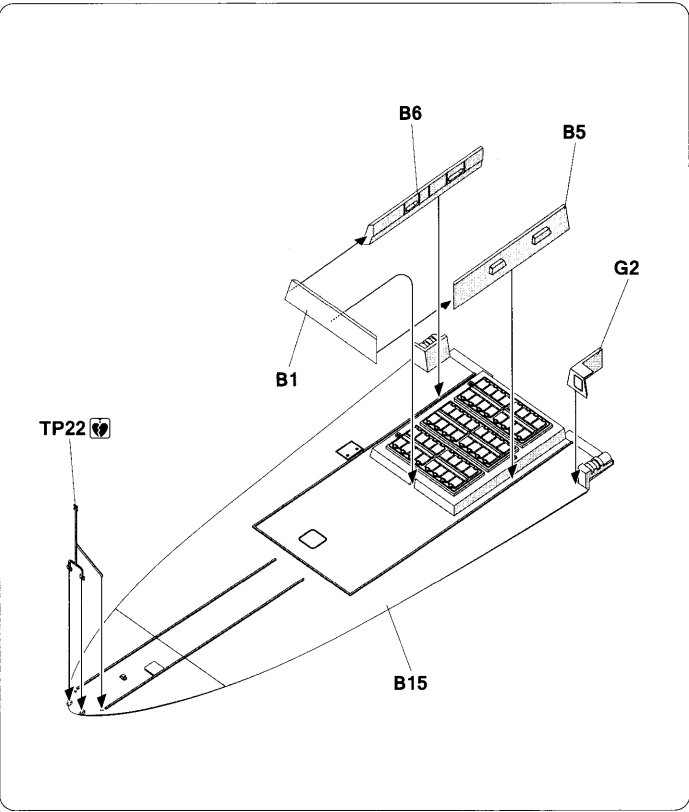


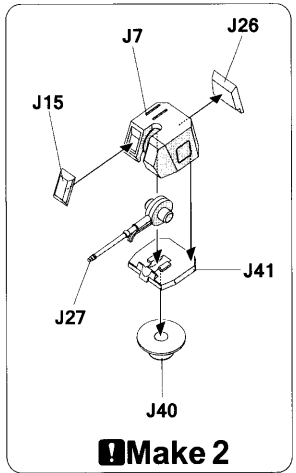
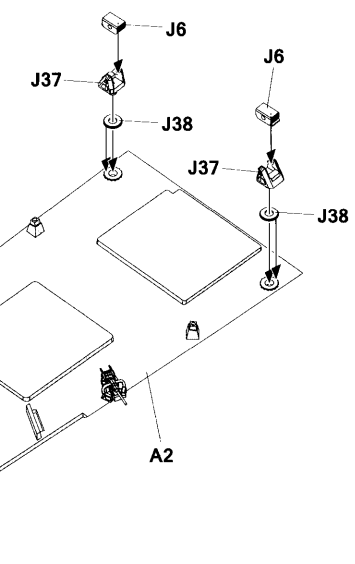
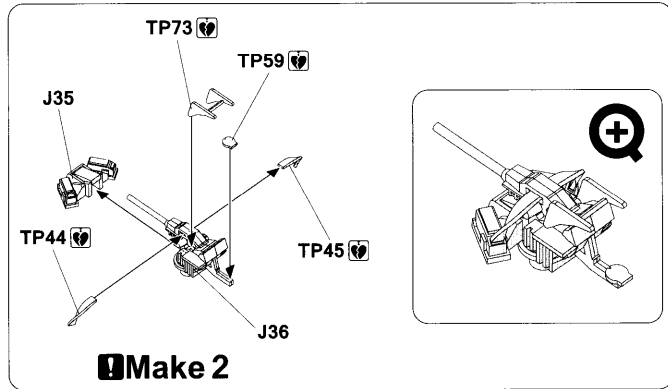
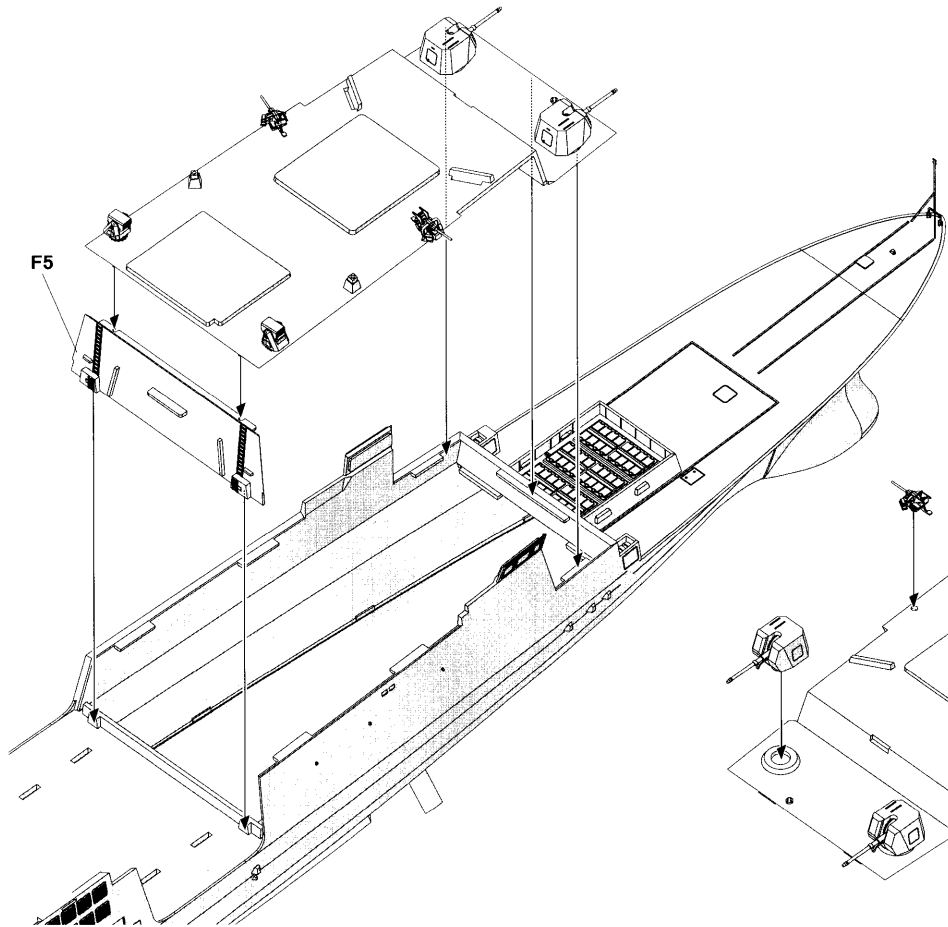


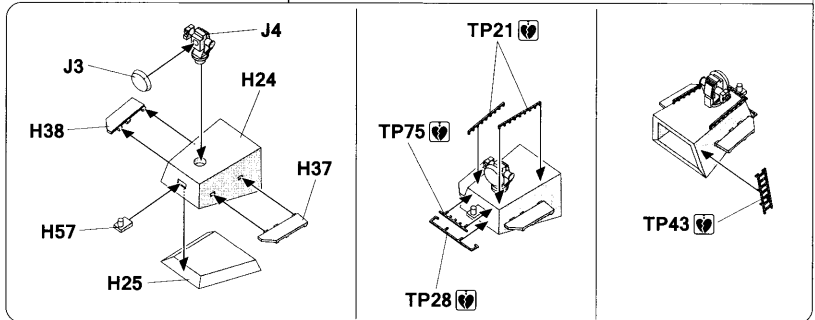
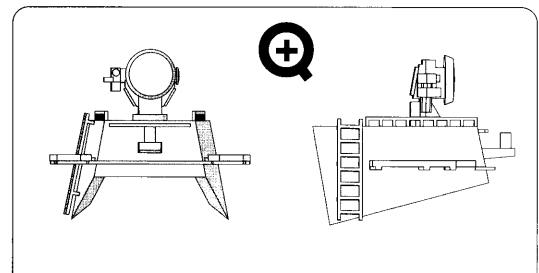
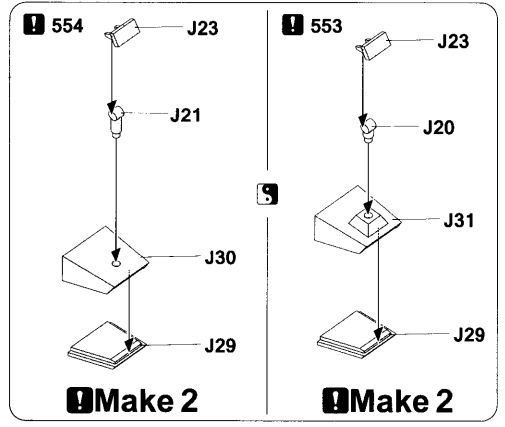
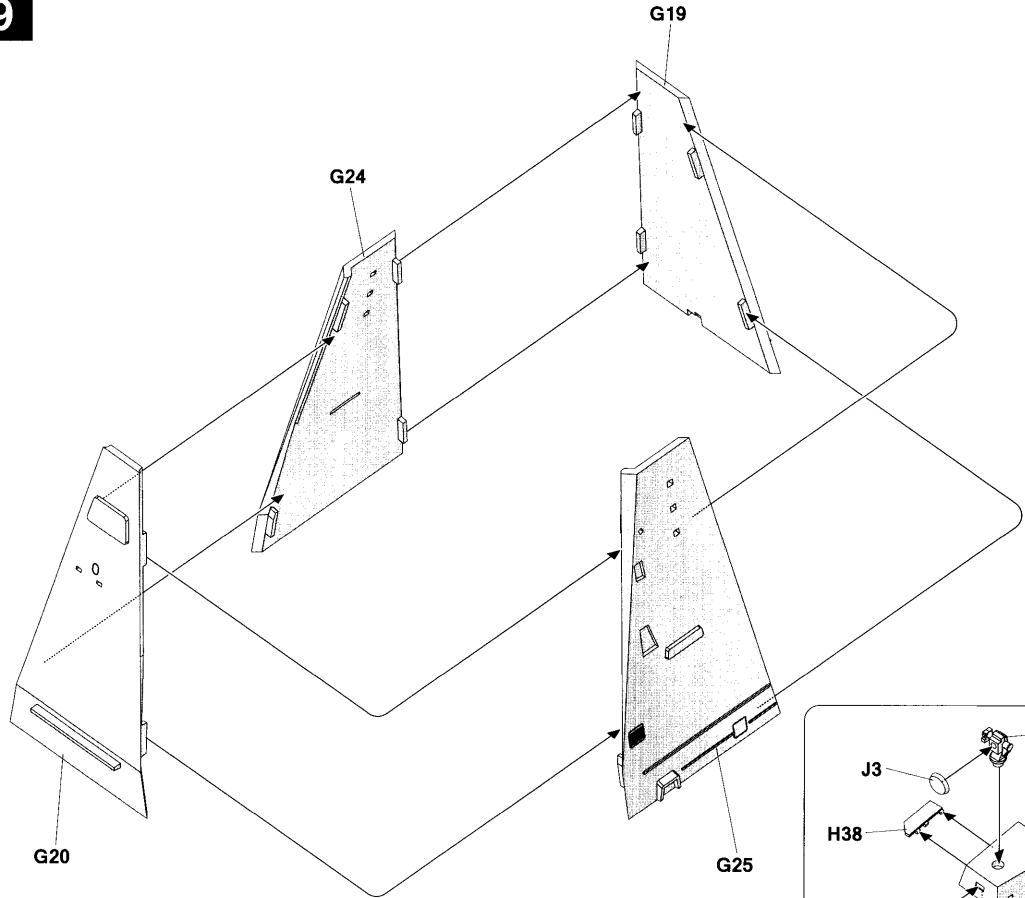
5

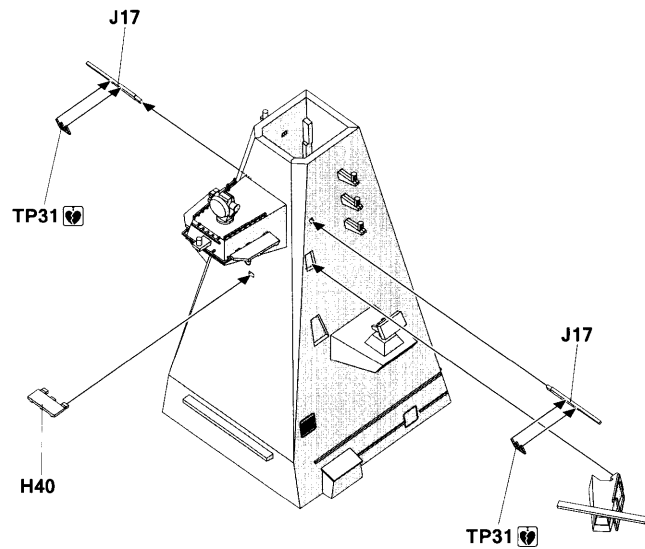
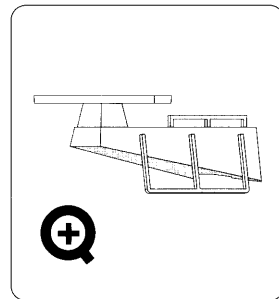
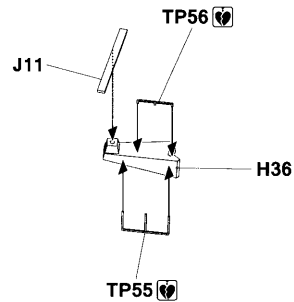
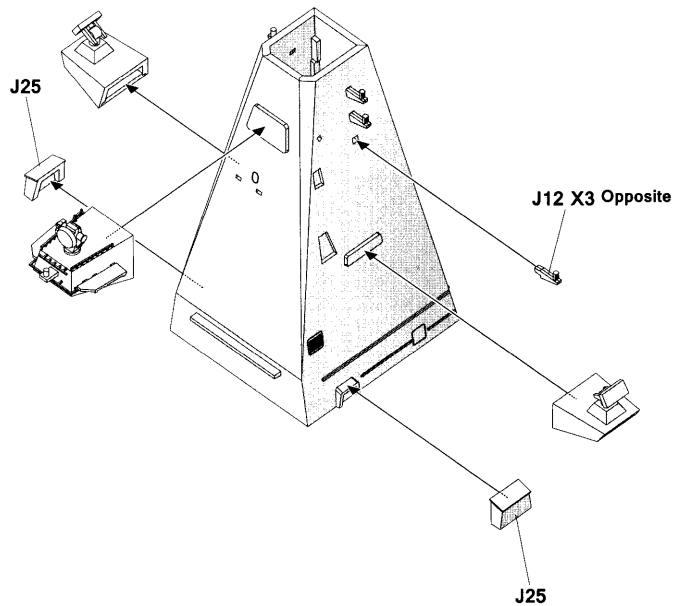


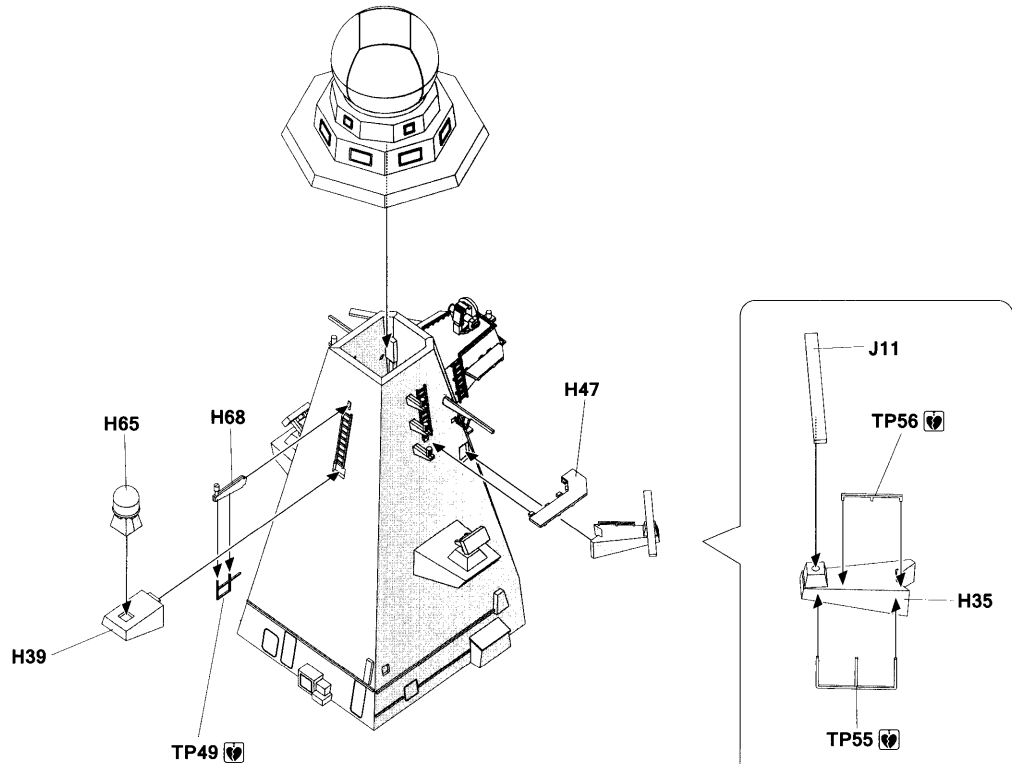
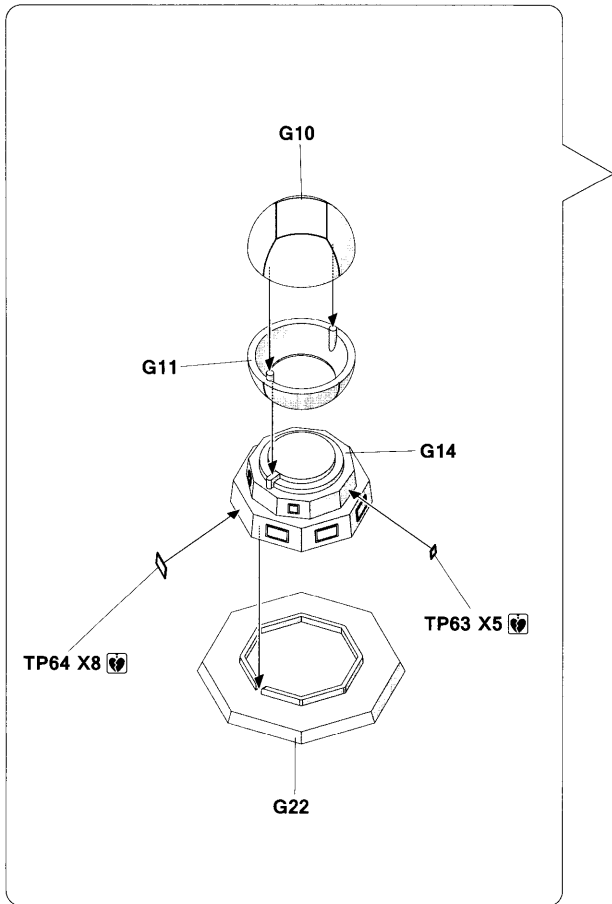


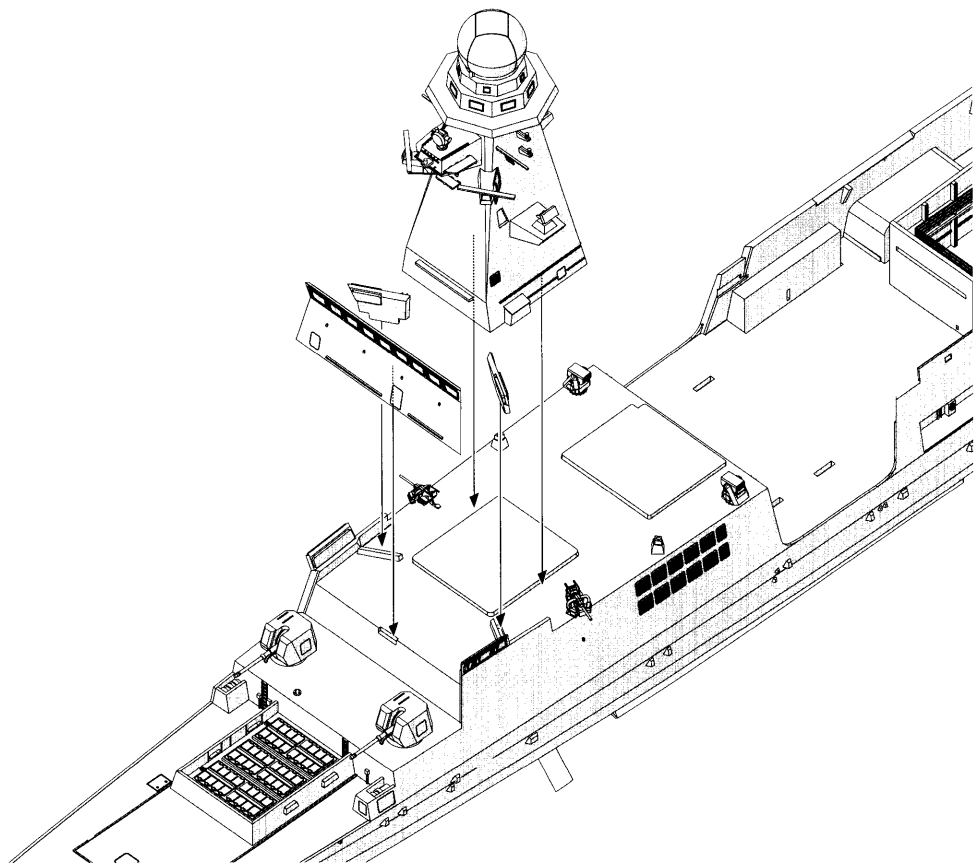
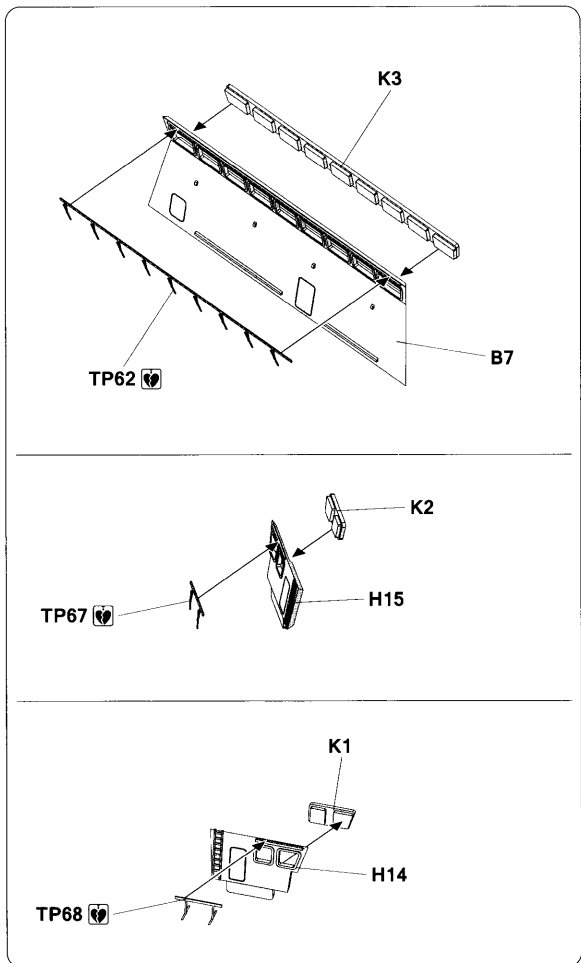


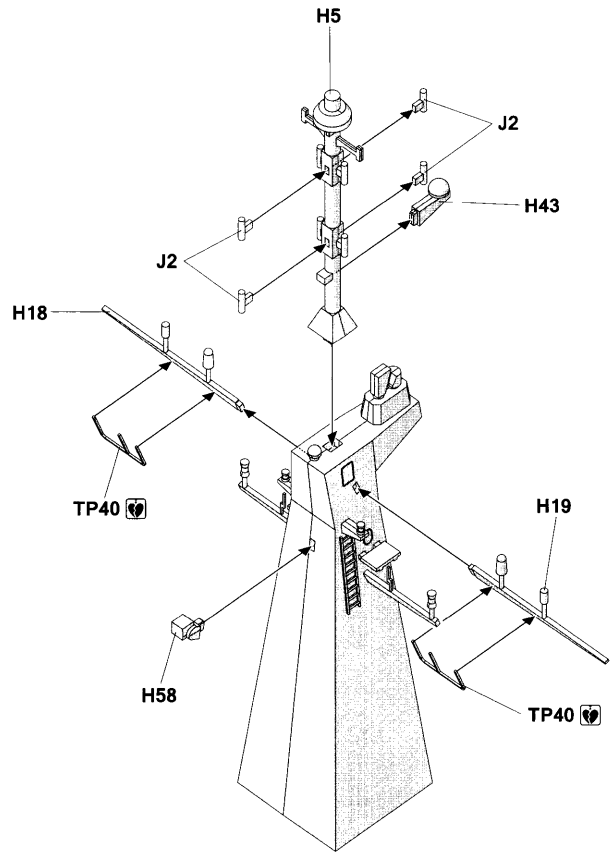
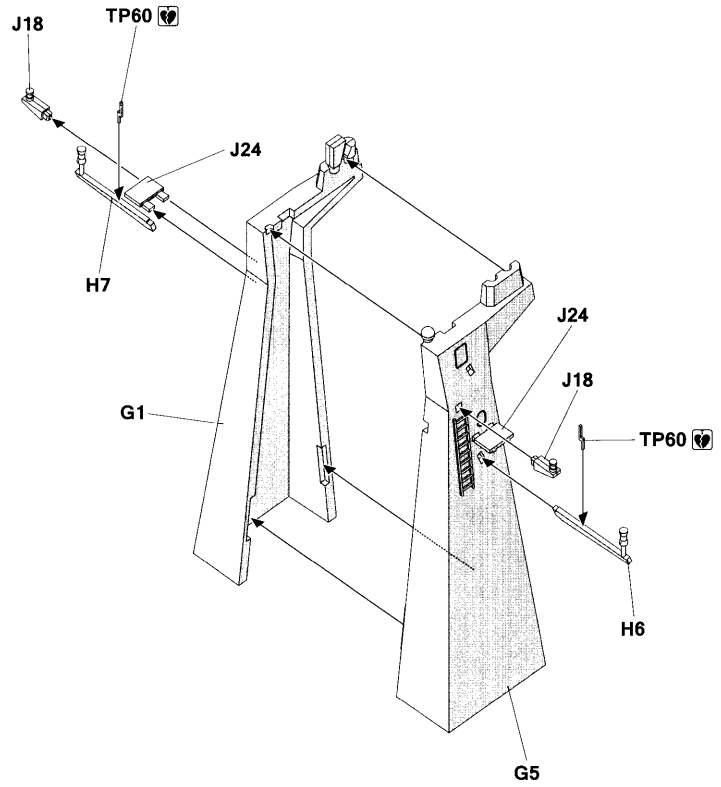


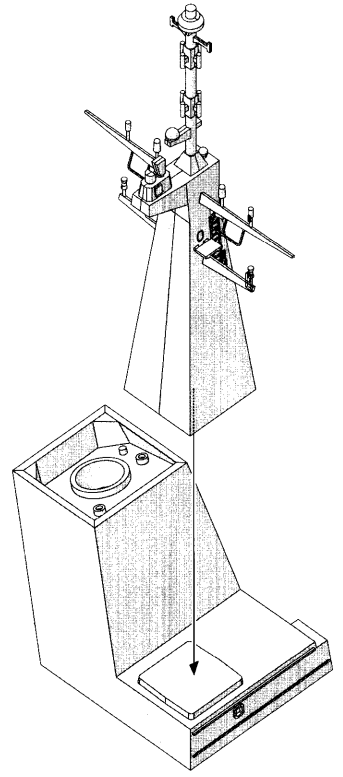
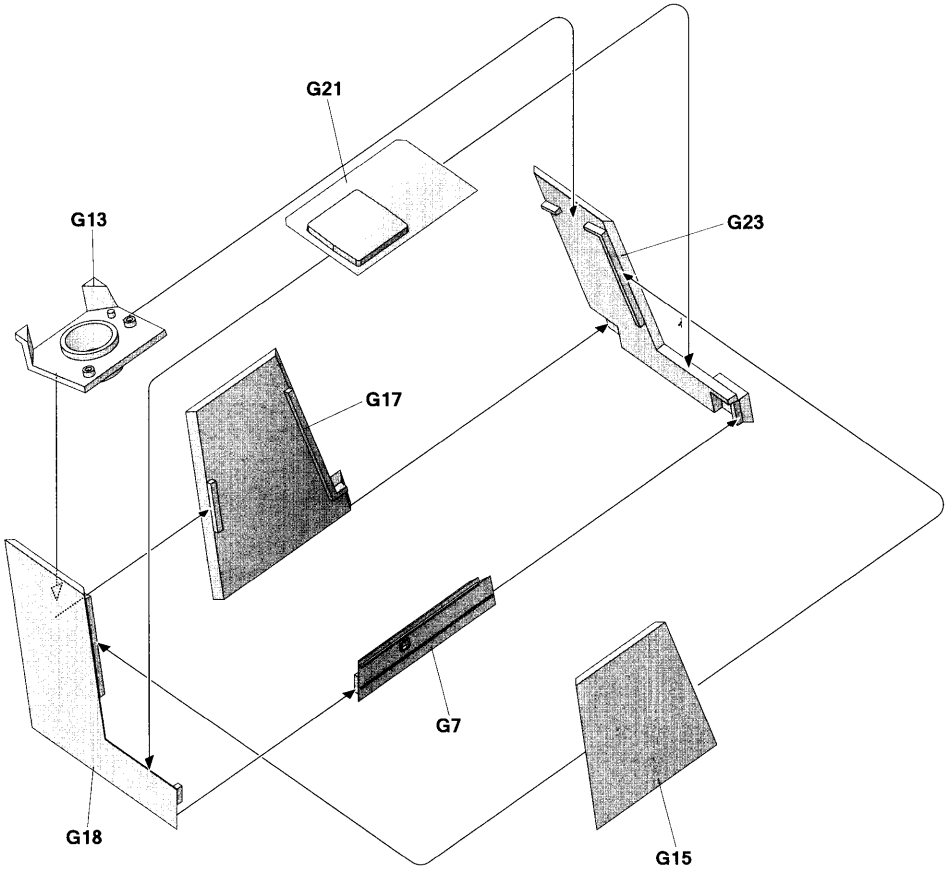


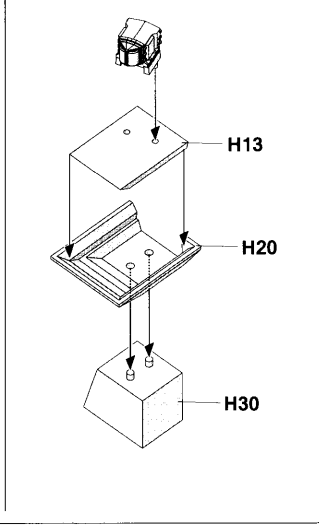
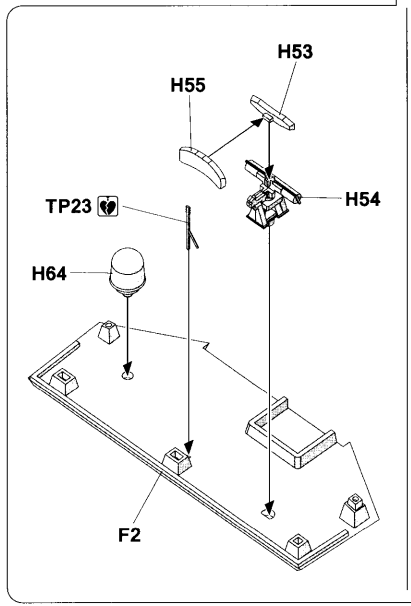
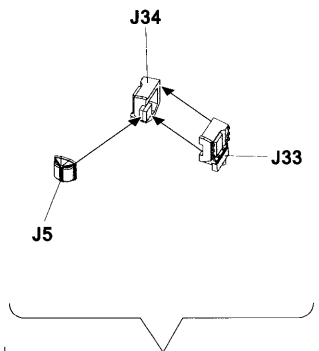
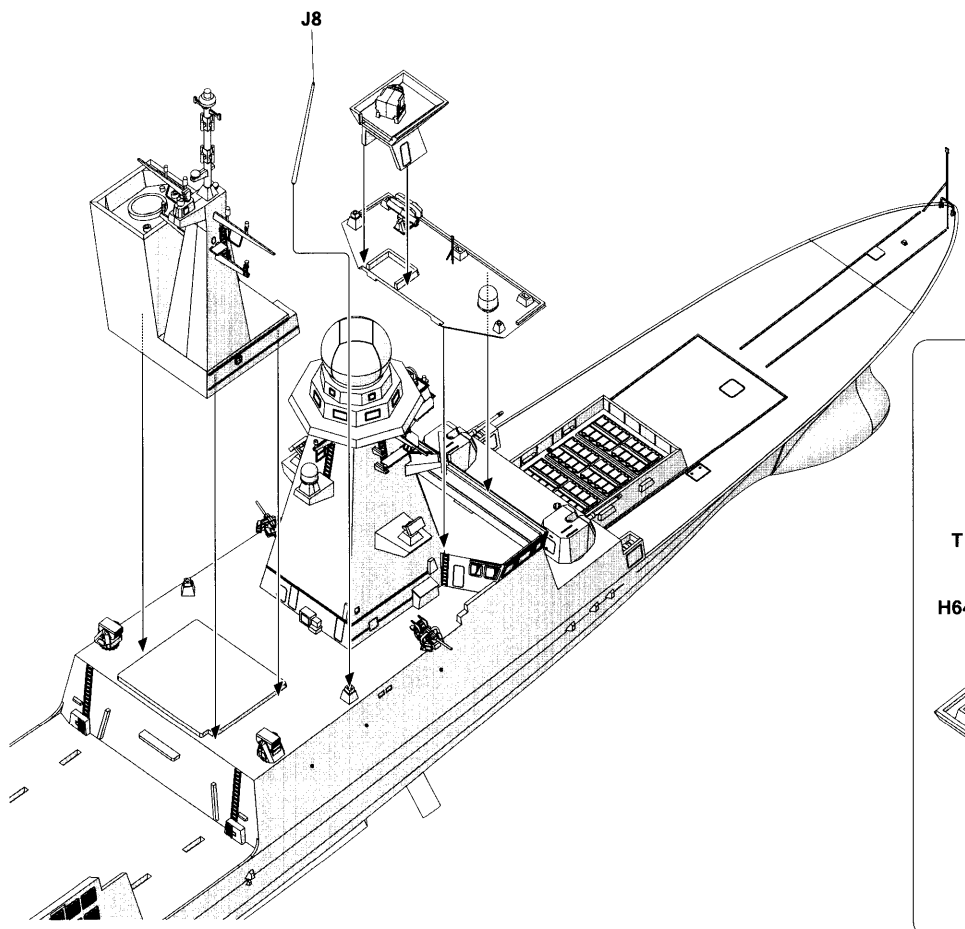


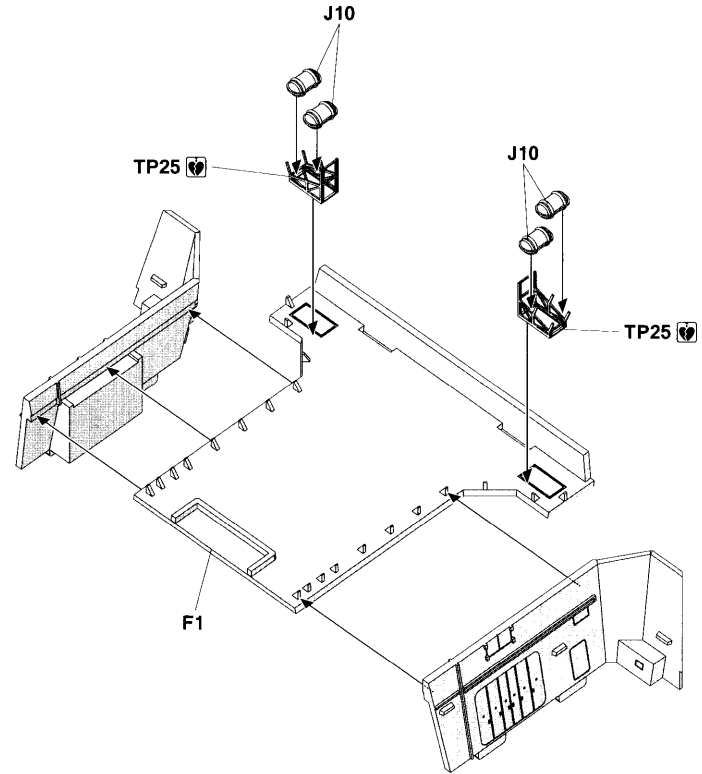
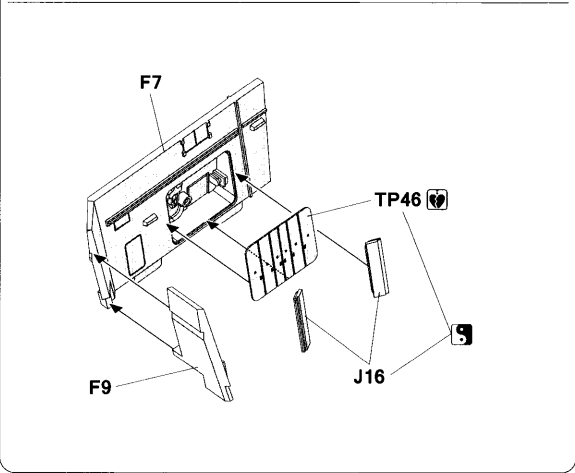
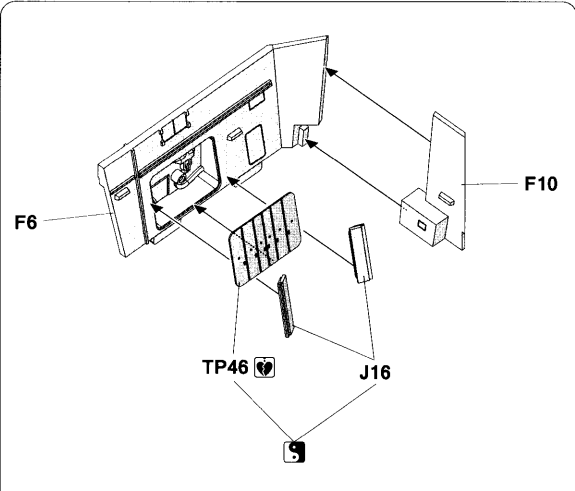


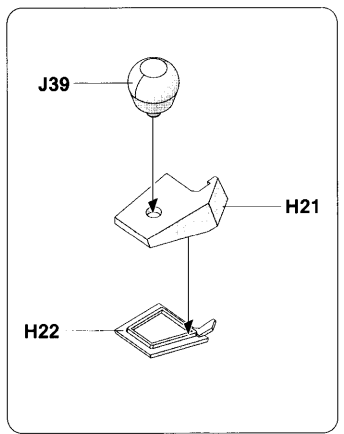
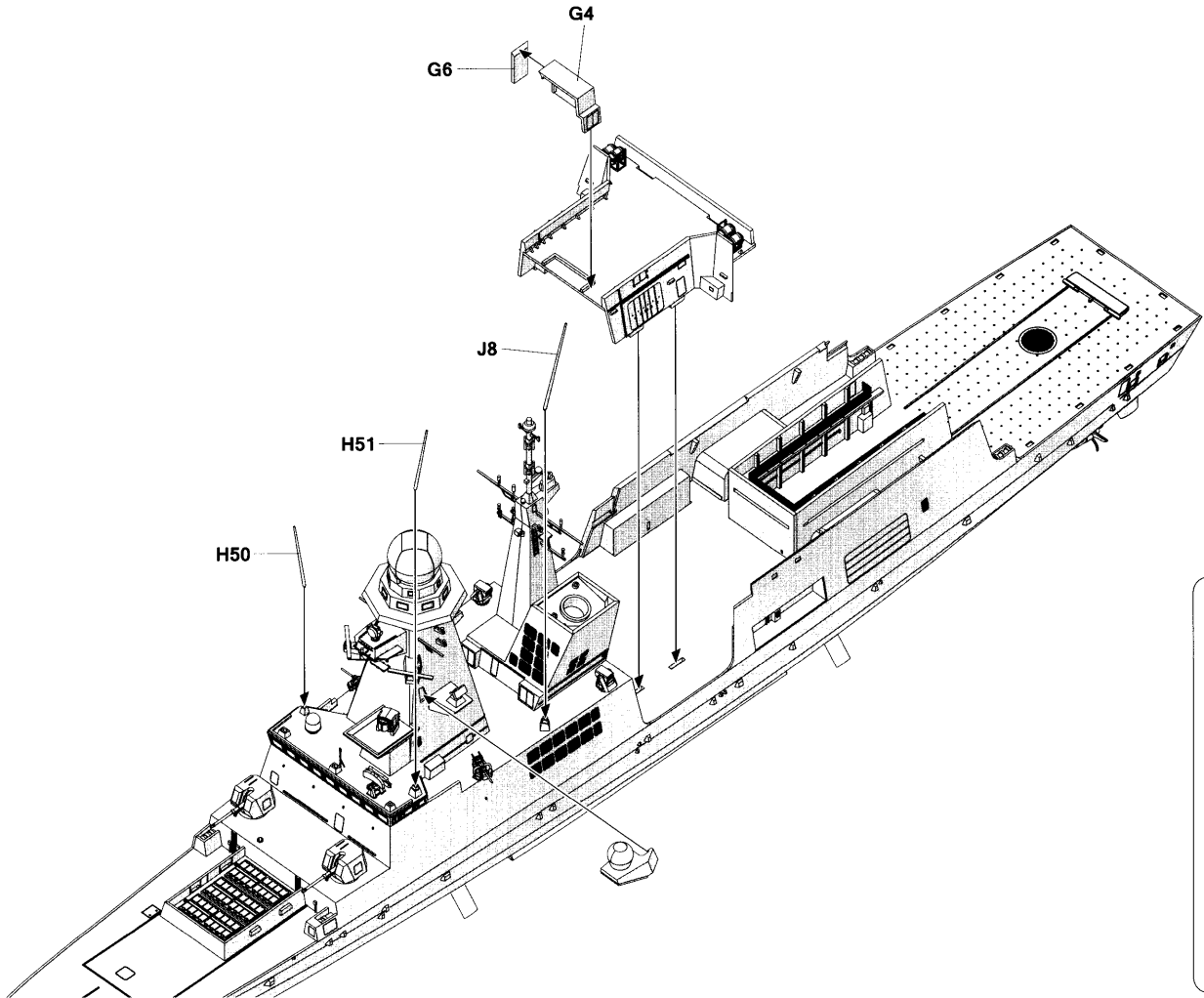


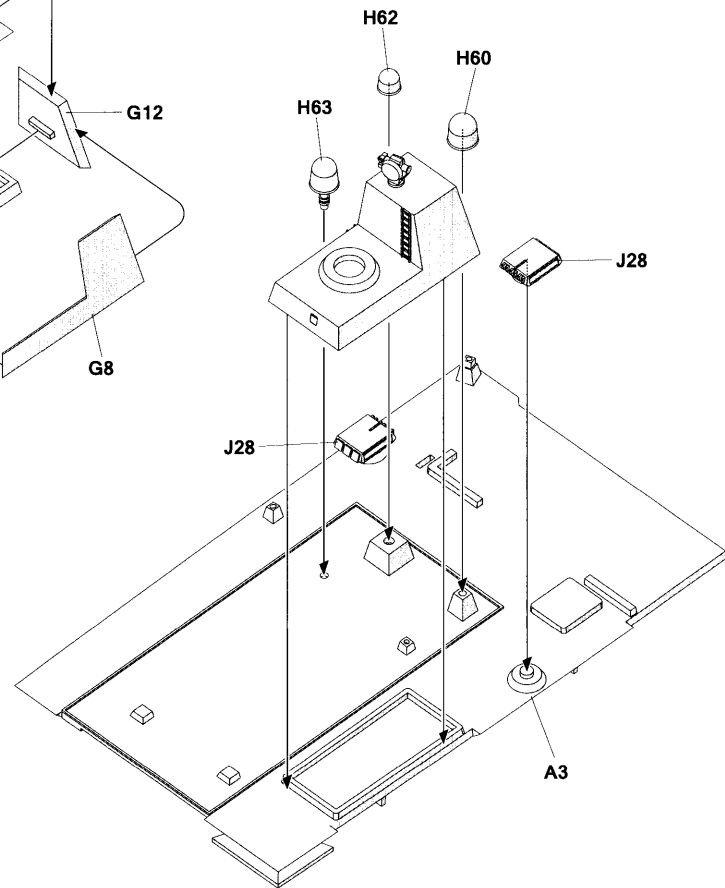
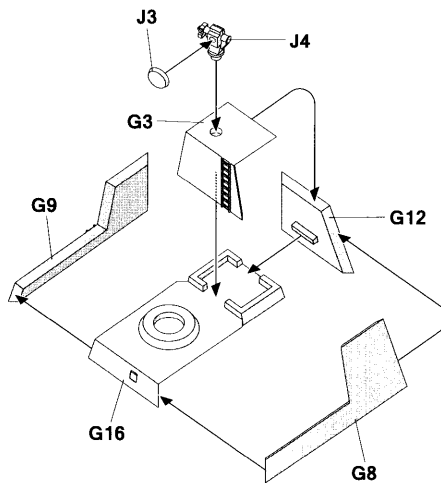
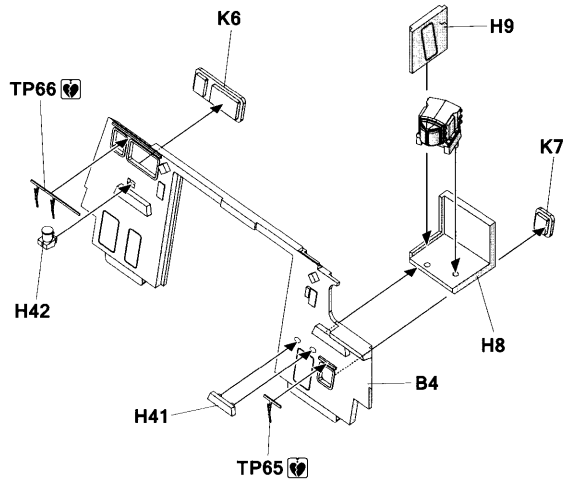
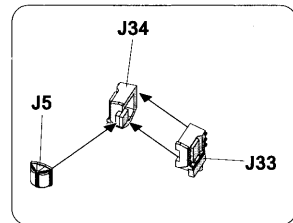
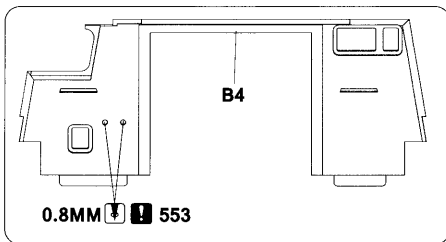


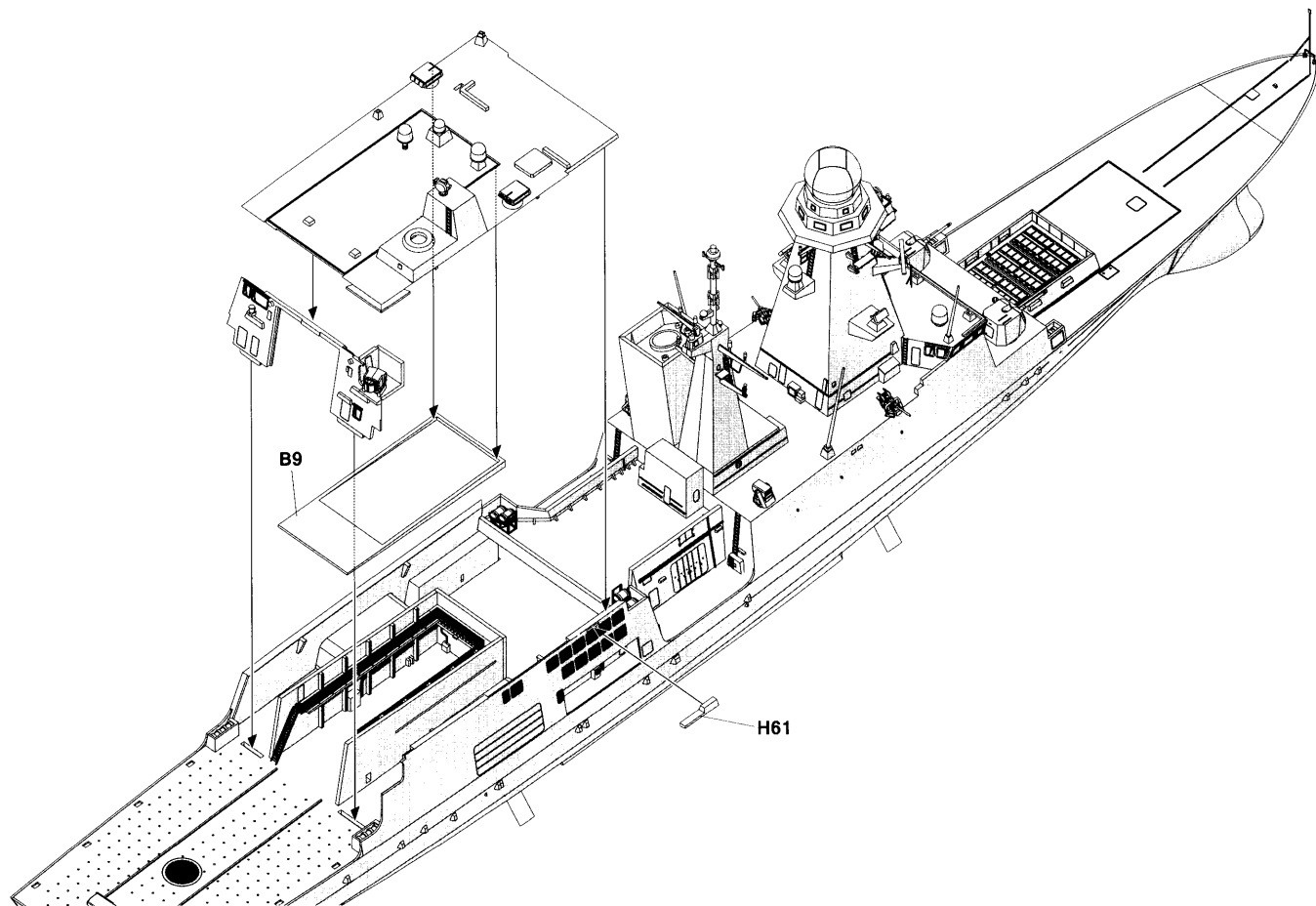


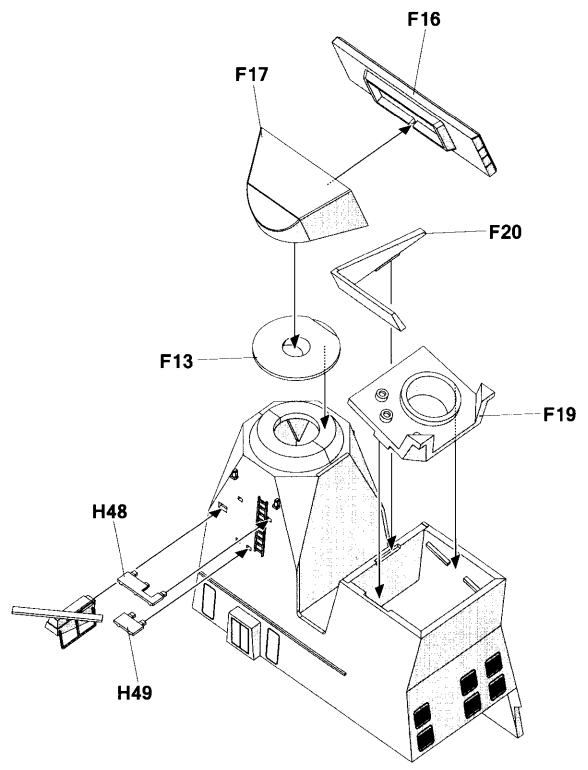
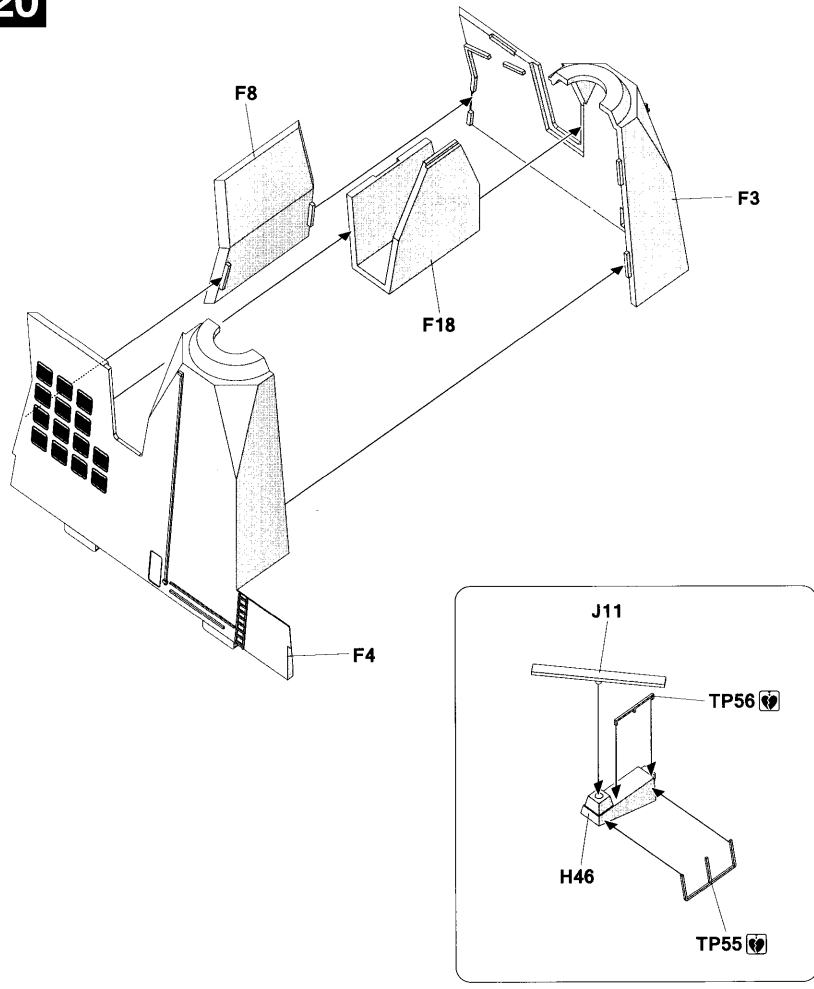


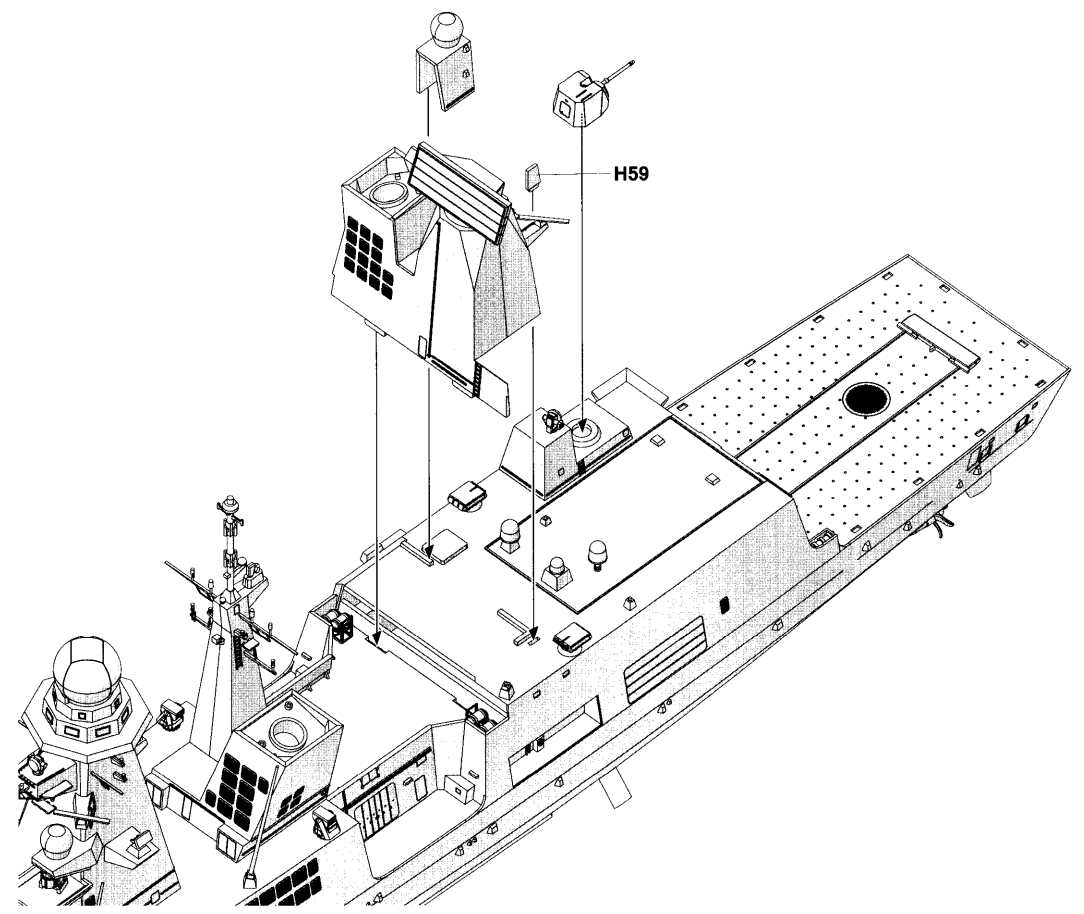
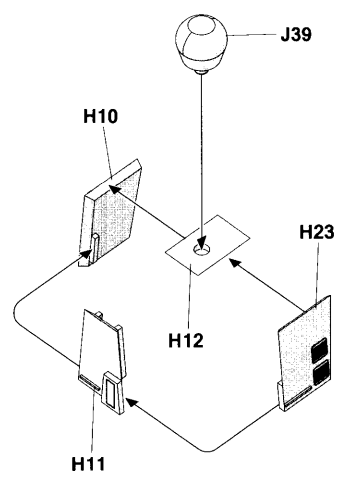
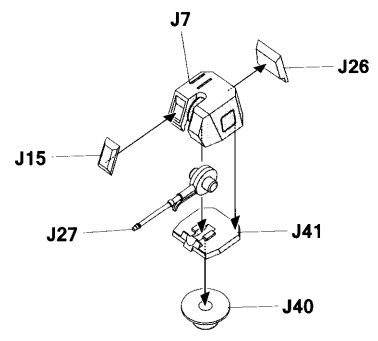


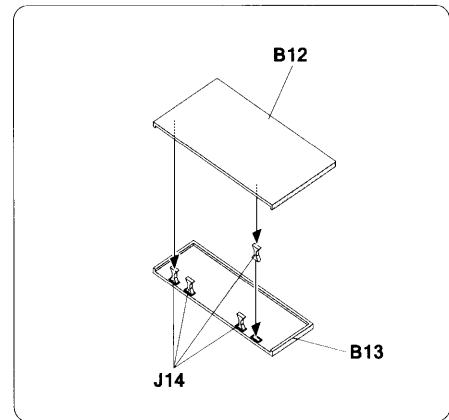
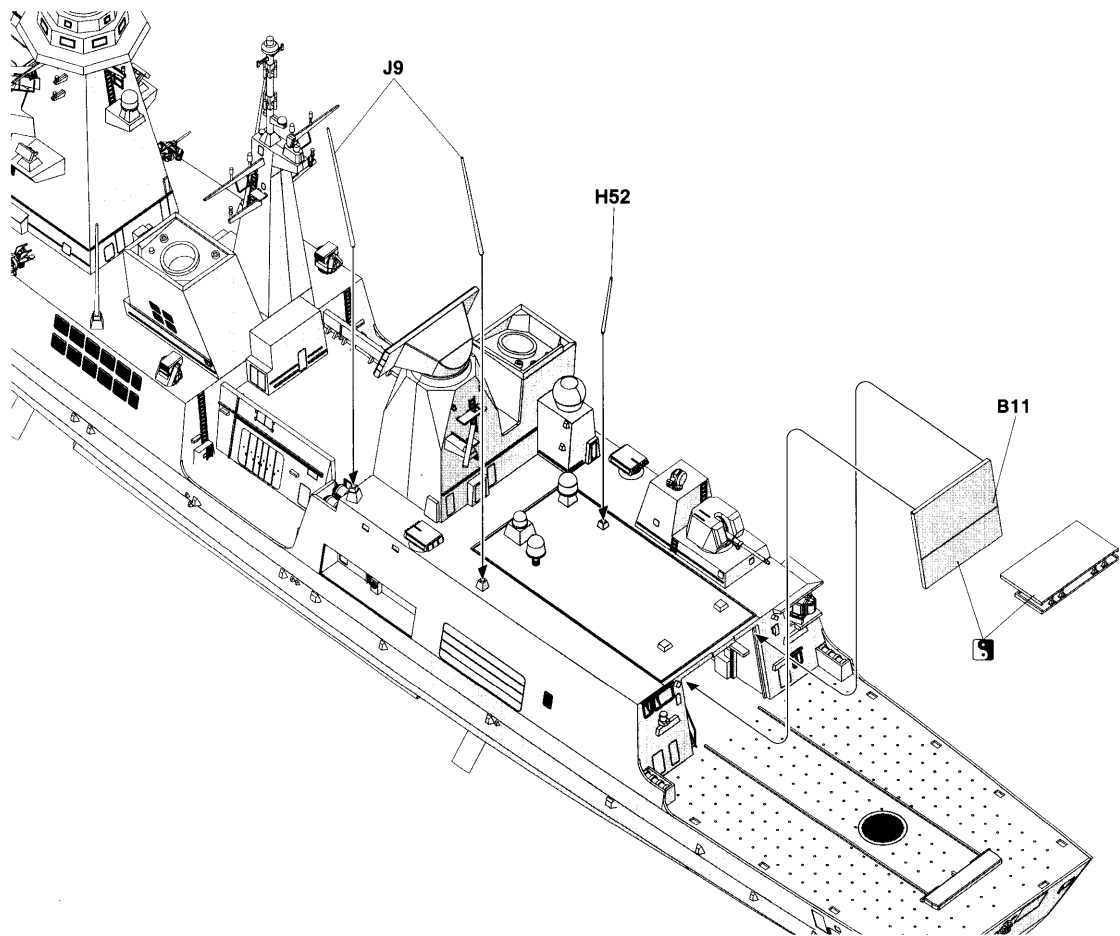


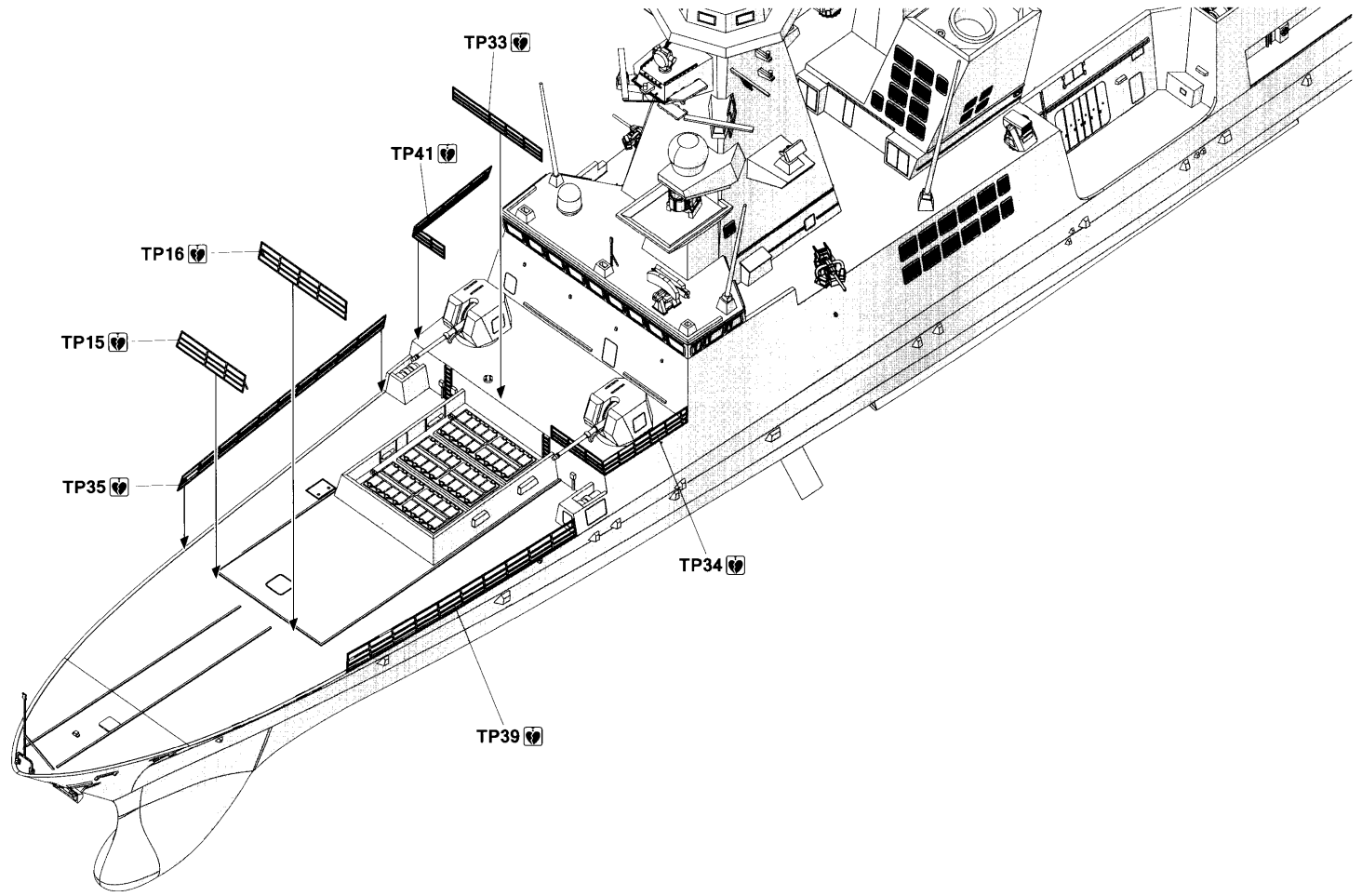


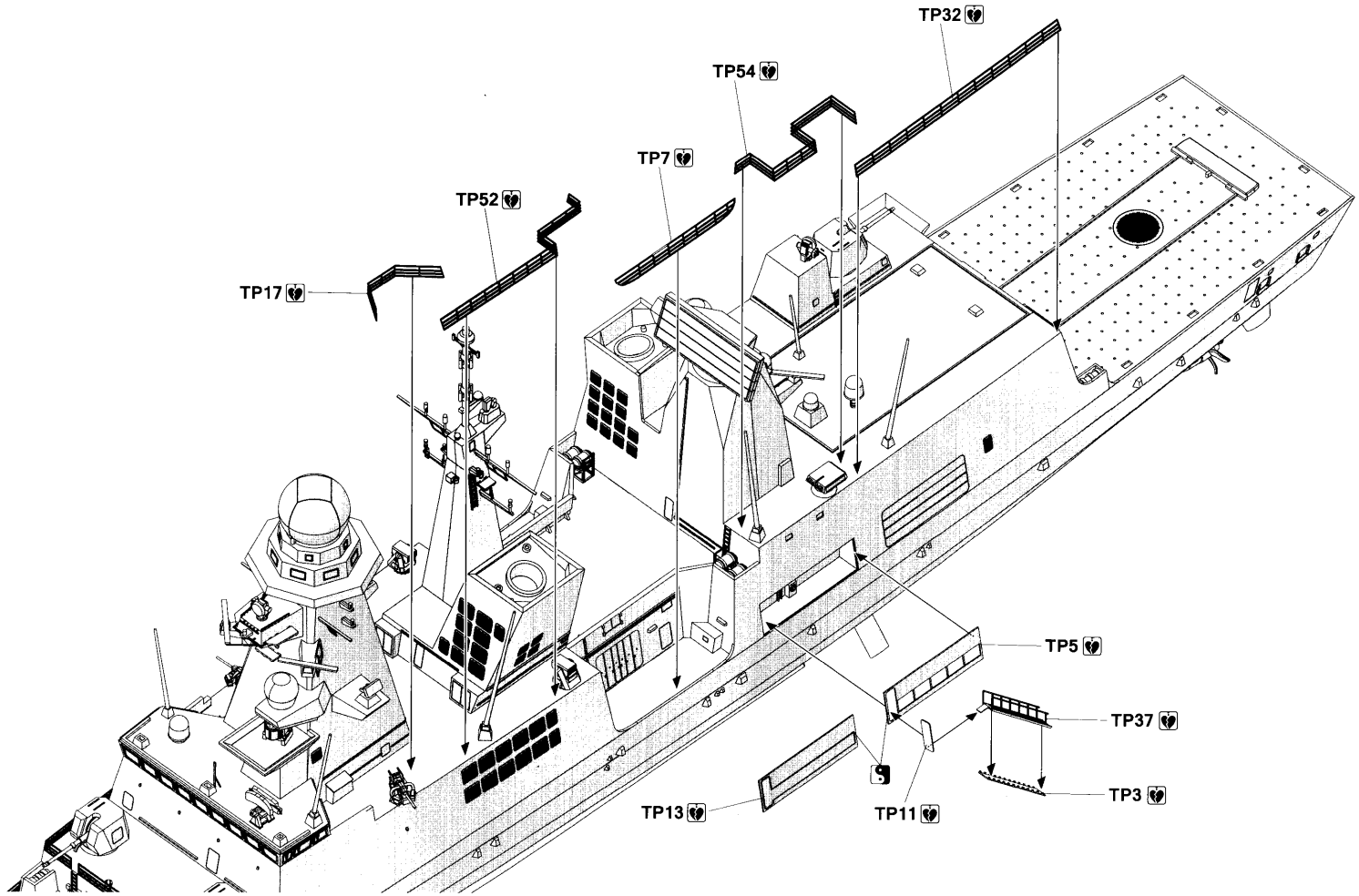


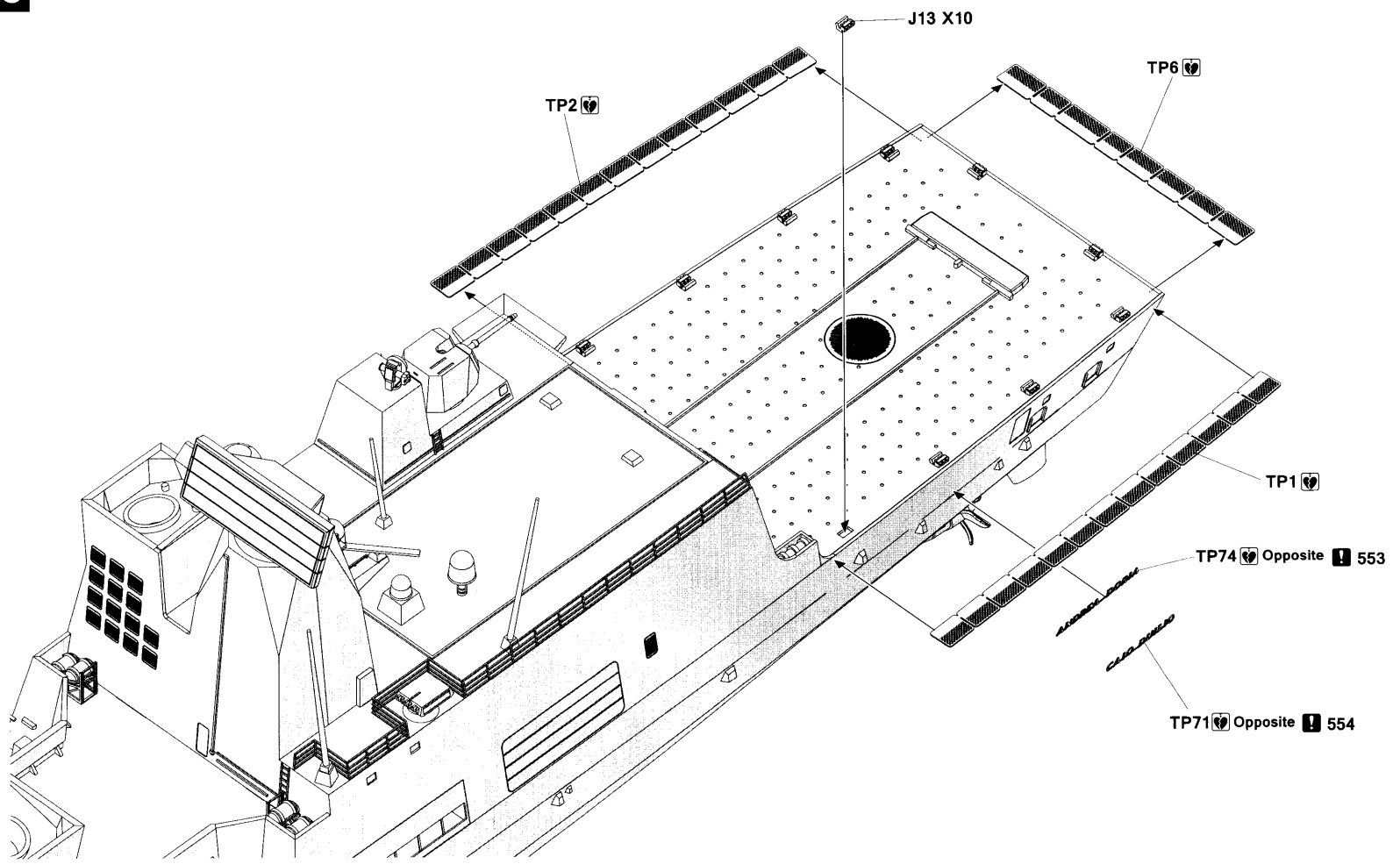


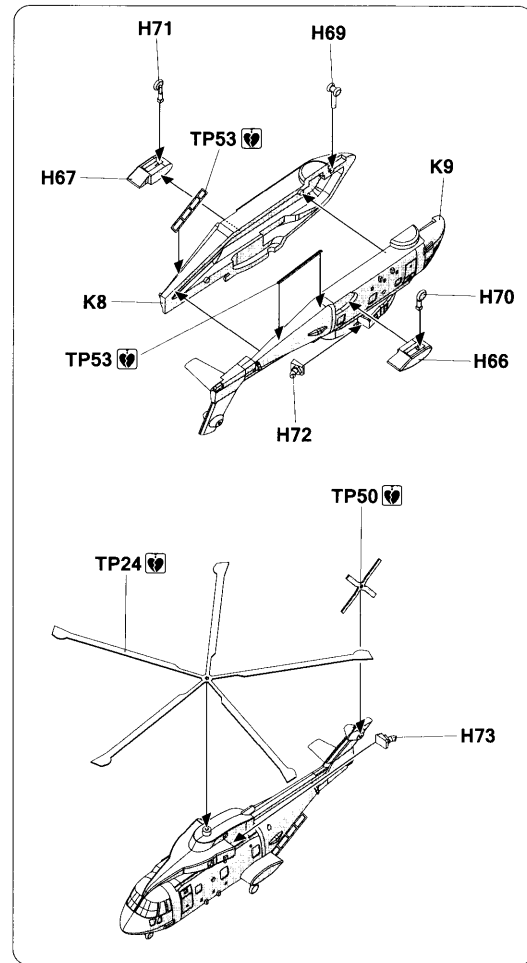
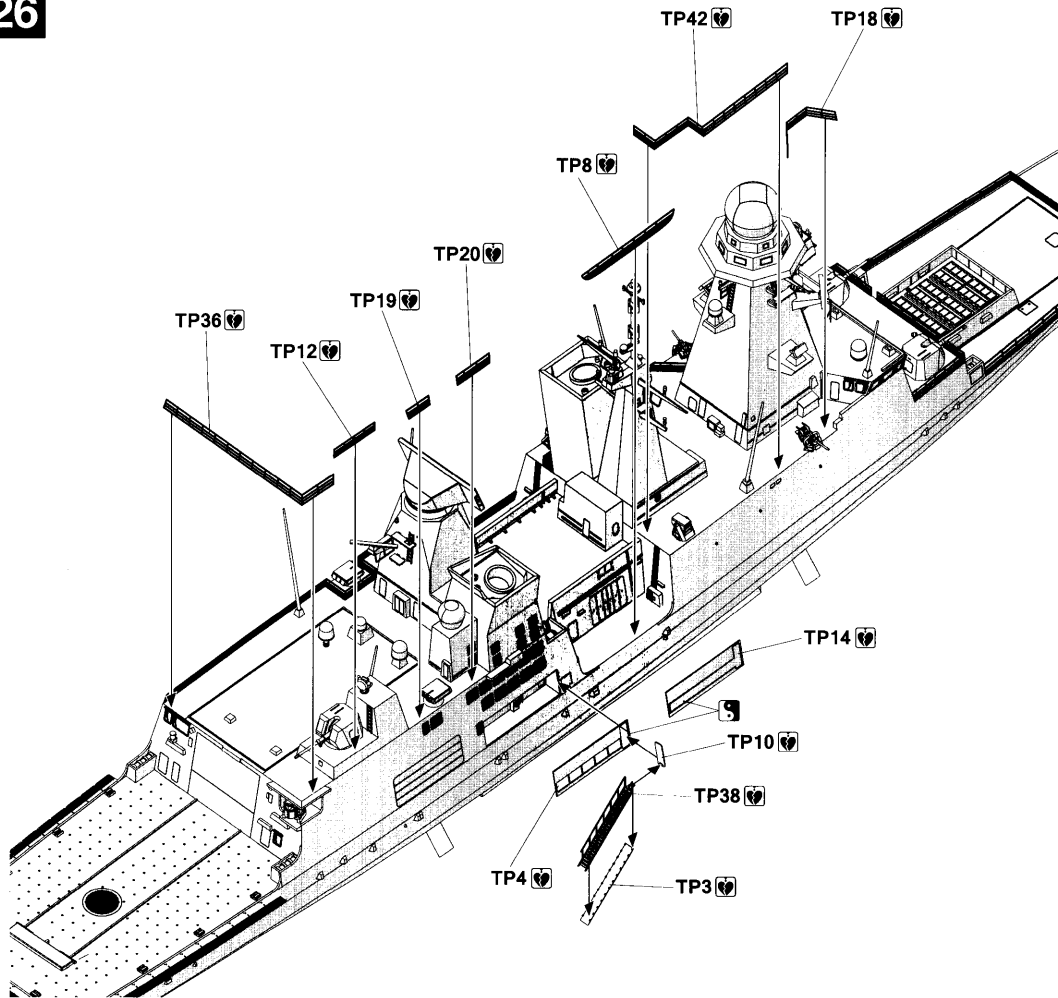












ITALIAN HORIZON CLASS DESTROYER

D553 Andrea Doria / D554 Caio Duilio

Painting and Marking Guide

A.MIG-0032 Satin Black

A.MIG-0049 Red

A.MIG-0075 Stone Grey

A.MIG-0191 Steel

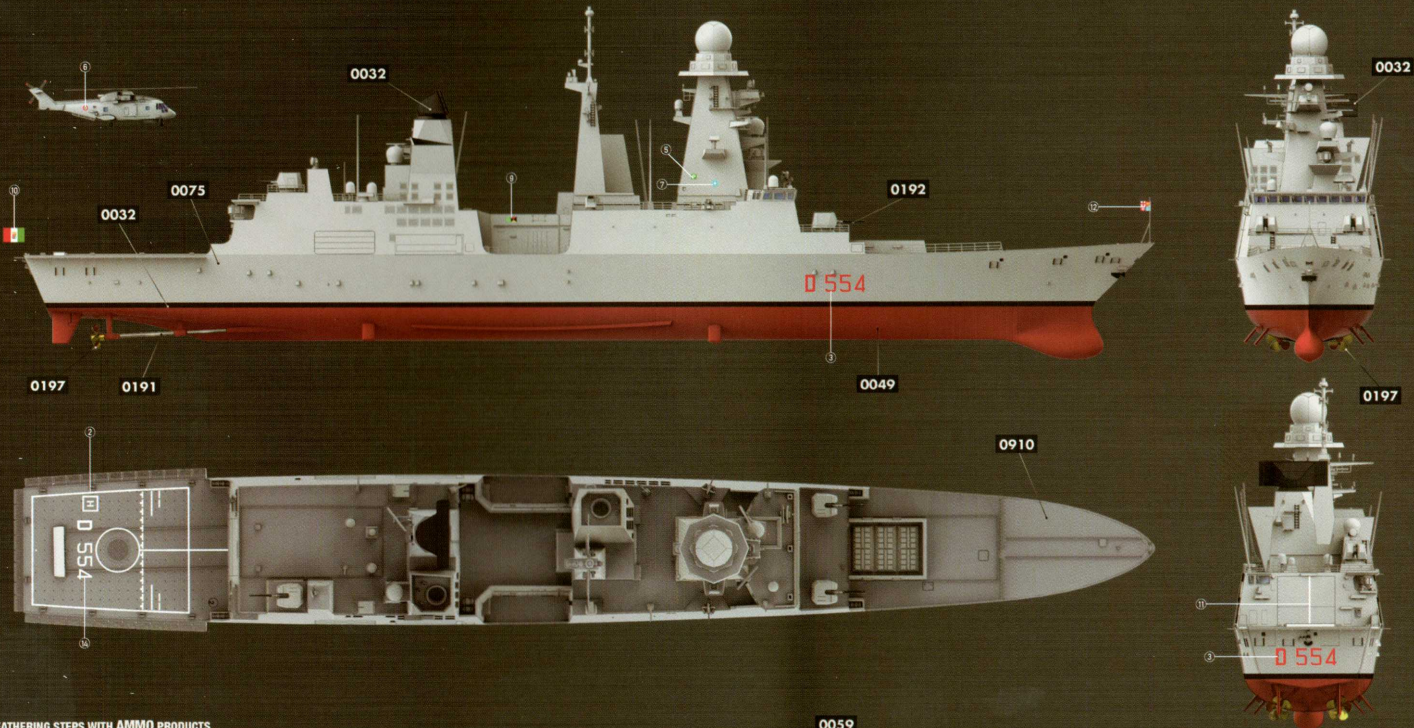
A.MIG-0192 Polished Metal

A.MIG-0197 Brass

A.MIG-0910 Grey High Light

TAKOM Ref: 6007.

D554 Caio Duilio



WEATHERING STEPS WITH AMMO PRODUCTS

1 FILTER

A.MIG-1501 Grey for White

2 GENERAL WASH

A.MIG-1010 Neutral Wash

3 CAMO FADING

A.MIG-3501 Oilbrusher White

10 CAMO SHADING

A.MIG-0857 Grey Shader

0059

1 DIRT SHADING

A.MIG-0853 Dirt Shader

4 STREAKING

A.MIG-1204 Rust Effects

7 PIGMENTS

A.MIG-3020 Metal Slag

