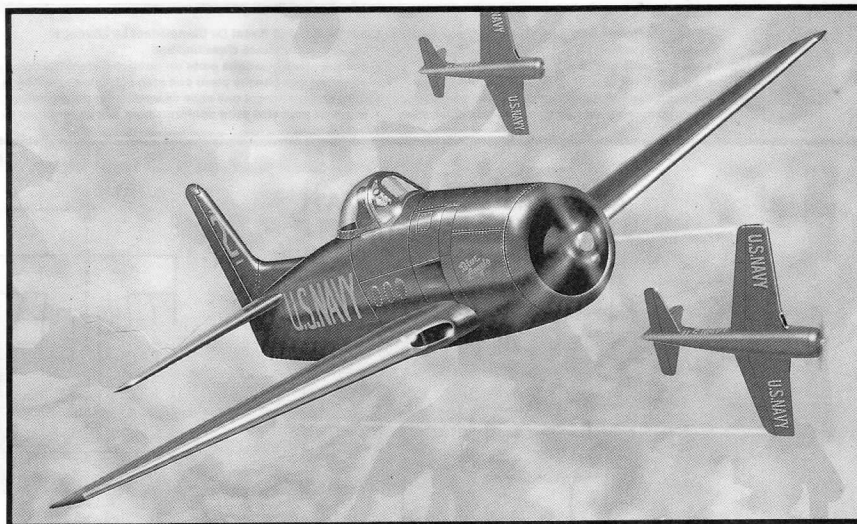




**“USN Blue Angels”**

**F8F-1**



**HC1440 • 1:48 • Classic Acrobatic**

**Kit features: detailed cockpit • landing gear • precise moldings • authentic markings.**

**Particularités du kit: • l’interieur détaillé • train d’atterrissage très détaillé • moulage précis • les marques authentiques.**

**Caratteristiche del modello: • carlinga dettagliata e carrello di atterraggio • dettagli incisi • decals autentici.**

**Der Bausatz enthält: • detailliertes Cockpit und Fahrwerk • fein eingravierte Details • authentische Abziehbilder.**

**Características del kit: • se detallan la cabina del piloto y el aterrizador • marcas auténticas.**

COLOR	FLOQUIL**	HUMBROL**	TESTORS MODELMASTER**
Dark Blue A/N 607	303183	189*	1717
	US Sea Blue A/N 607	Dark Blue	Dark Sea Blue
Yellow A/N 614 Yellow	303277	154	1707
	USAAC Or. Yellow	Insignia Yellow	Chrome Yellow

\*Approximate Match. \*\*Some paints may not be available in your country. Please check with your local hobby shop for substitute colors.

cyanoacrylate glue coller cyanoacrylate Cyanoacrylate Kleben incollare cyanoacrylate pegar cyanoacrylate	cut couper schneiden tagliare cortar	bend plier sich biegen piegare doblar	file / sand poncer verspachteln levigare lijar	weight a lester Gewicht zavorra lastre	drill or pierce bohrer forare agujerear	two deux zwei due dos
painting instructions mode d’emploi Anleitungen der Farben istruzioni per la verniciatura instrucciones sobre la pintura	caution! attention! vorsichten! attenzione! atención	alternative en option Alternativ alternativo alternativa	cement coller kleben incollare pegar	paint peindre bemalen vernicciare pintar	decal decalcomania Abziehbild decalcomania calcomanias	no! no! nein! no! ¡no!



**Read This Before You Begin!**

- study the assembly drawings
- each plastic part is identified by a number
- check the fit of each piece before cementing
- do not use too much cement to join parts
- model may be painted to match box illustration

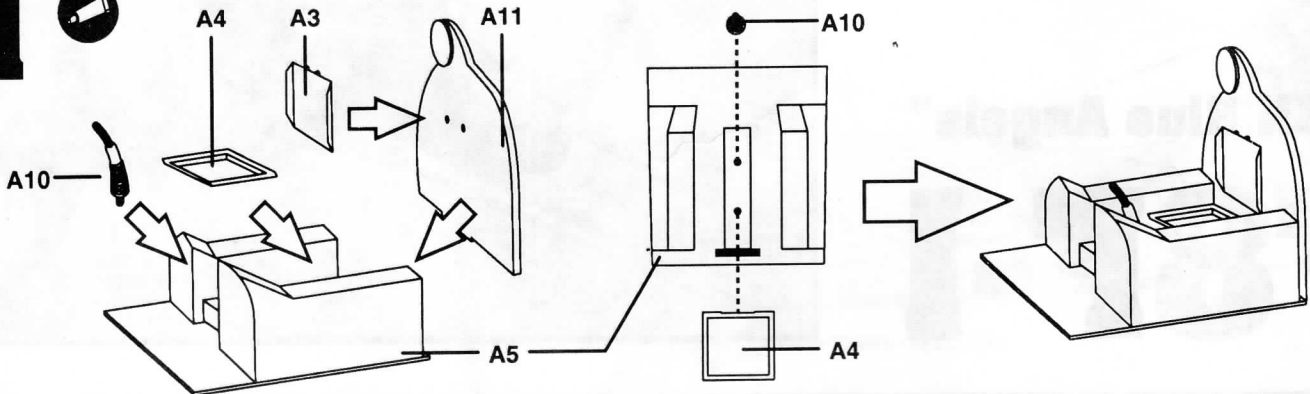
**Lisez Ce Qui Suit Avant De Commencer Le Montage!**

- étudier les schémas d'assemblage
- chaque pièce plastique porte un numéro d'identification
- contrôler que chaque pièce soit bien conforme avant de la coller à sa place
- utilisez uniquement une colle spéciale pour polystyrène
- le model peut être peint conformément aux illustrations de la boîte

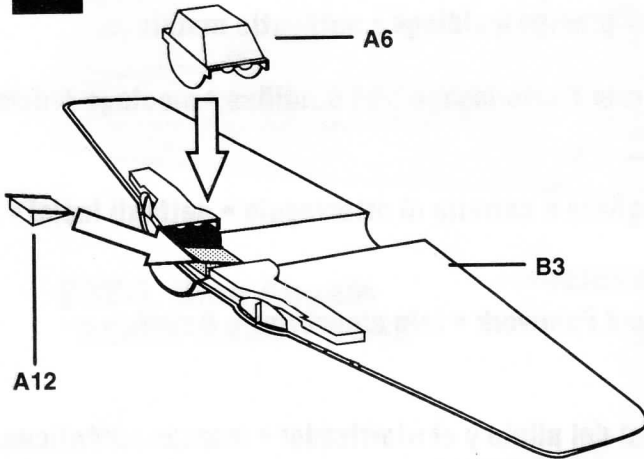
**Vor Zusammenbau lesen sie bitte!**

- studiere die Bauanleitung
- die Plastikteile sind gekennzeichnet durch ihre Nummern
- vor dem Kleben prüfe ob die Teile zusammenpassen können
- benutze nicht zuviel Klebstoff
- die Bemalung des Modells kann auf dem Becketbild zeigen

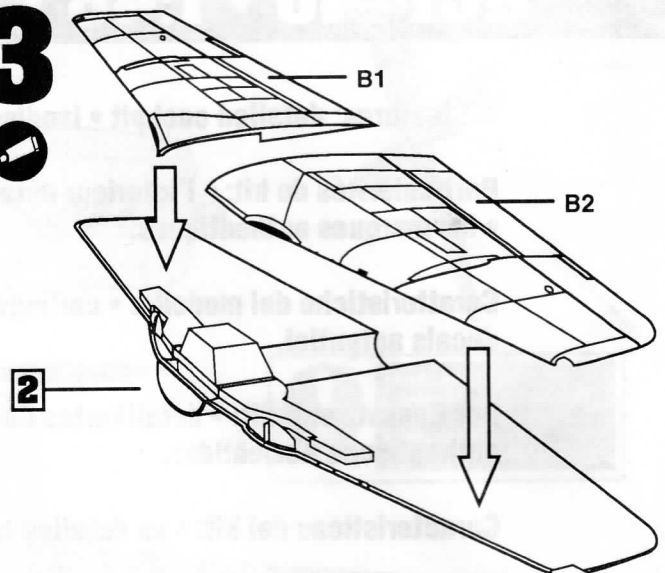
**1**



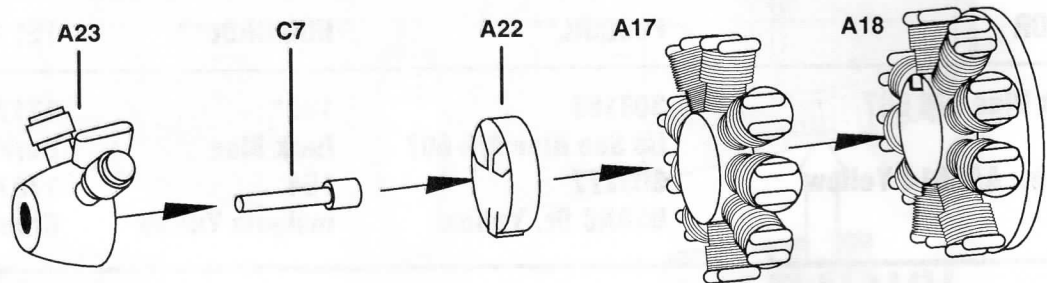
**2**



**3**

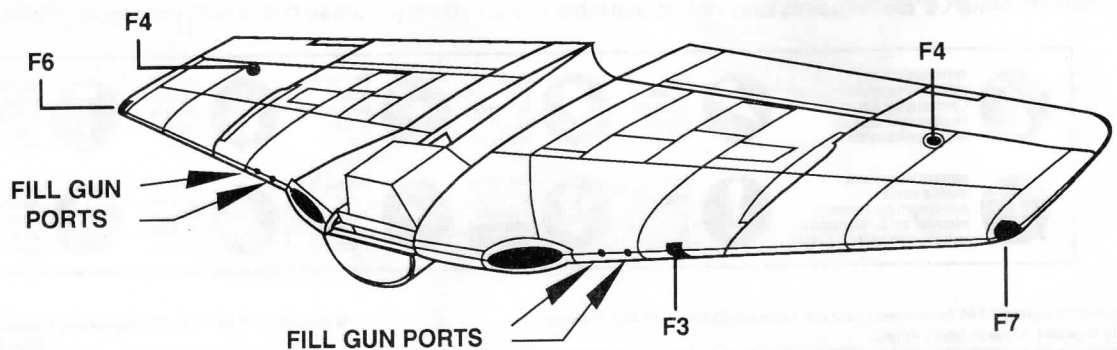


**4**

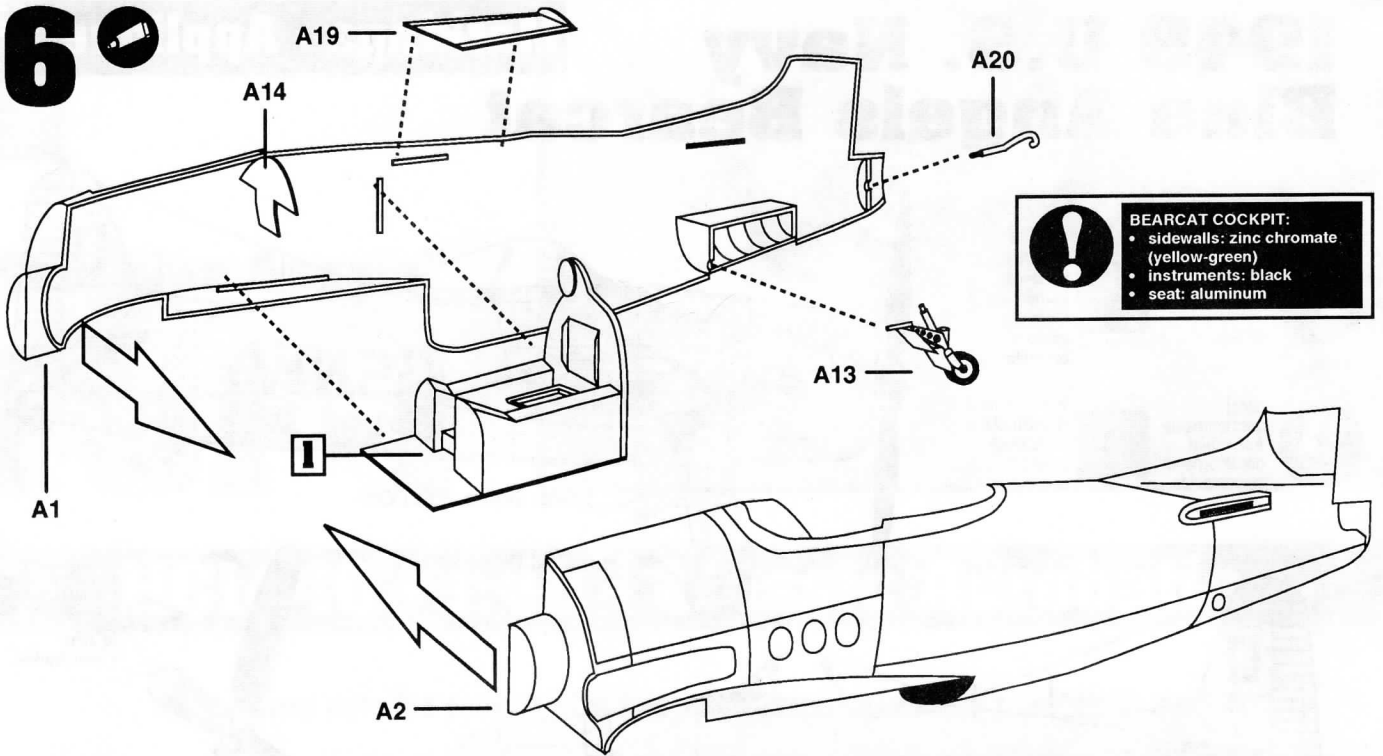


**5**

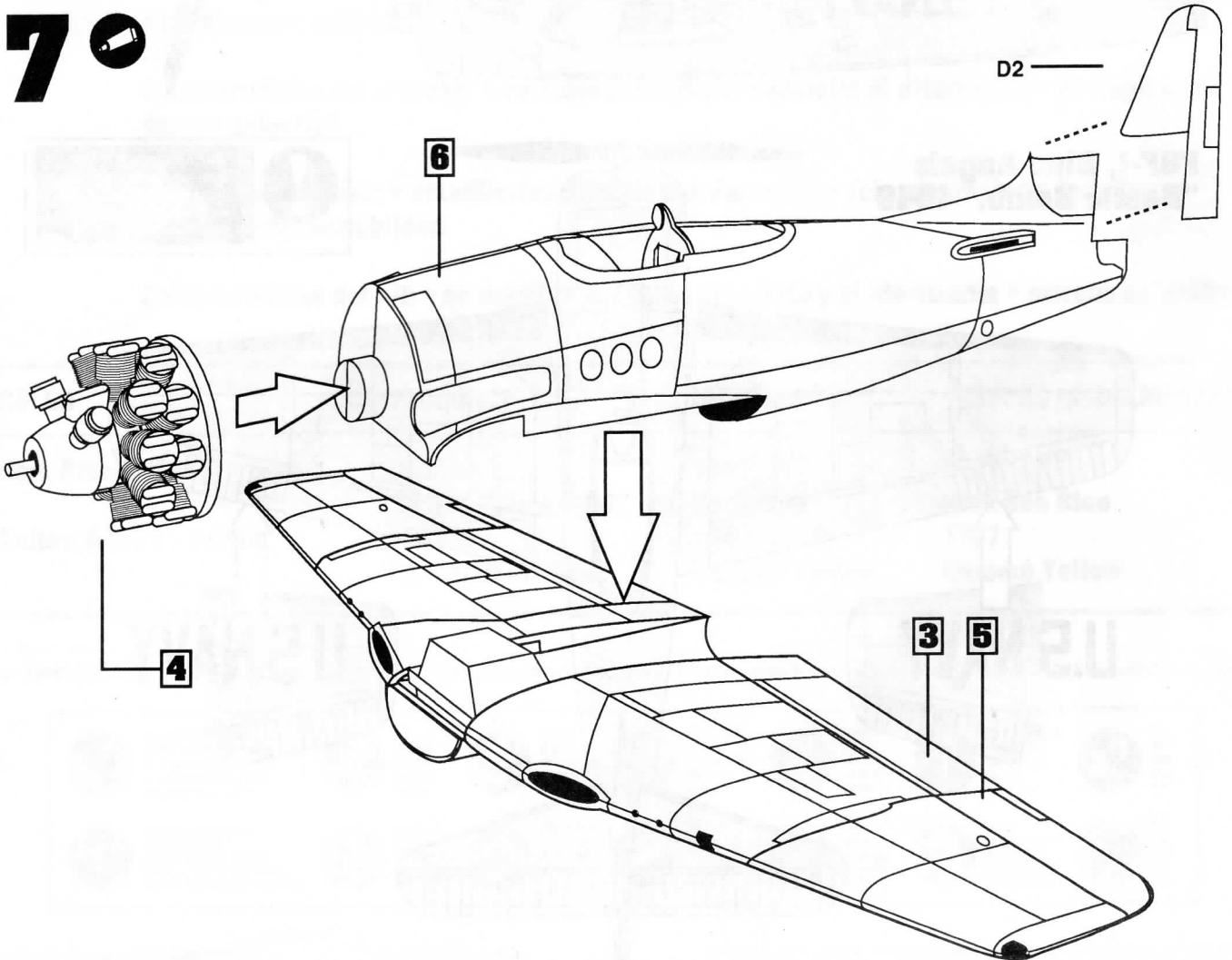
**3**



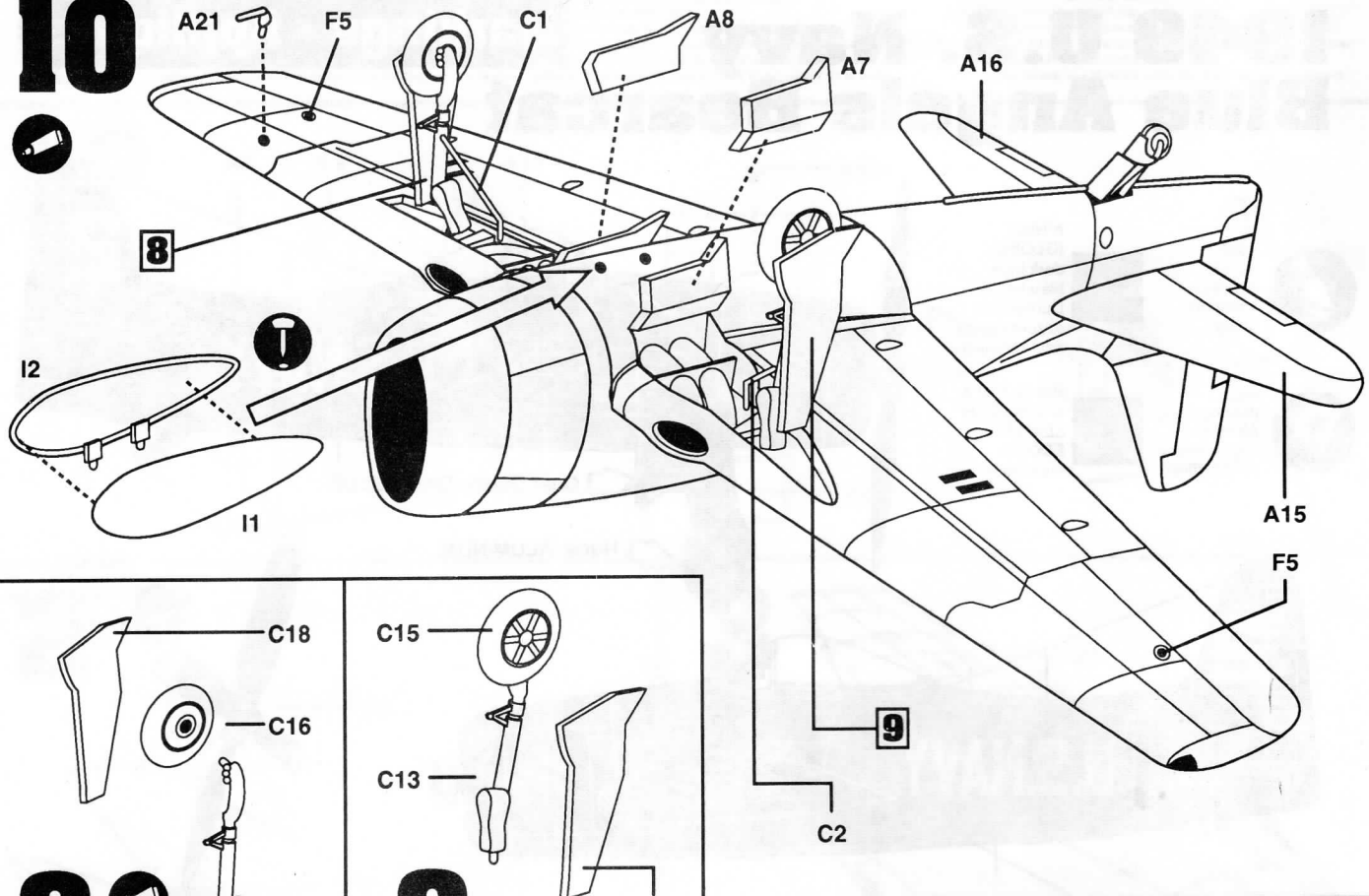
# 6



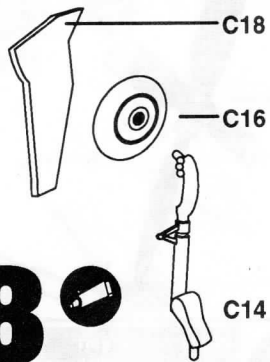
# 7



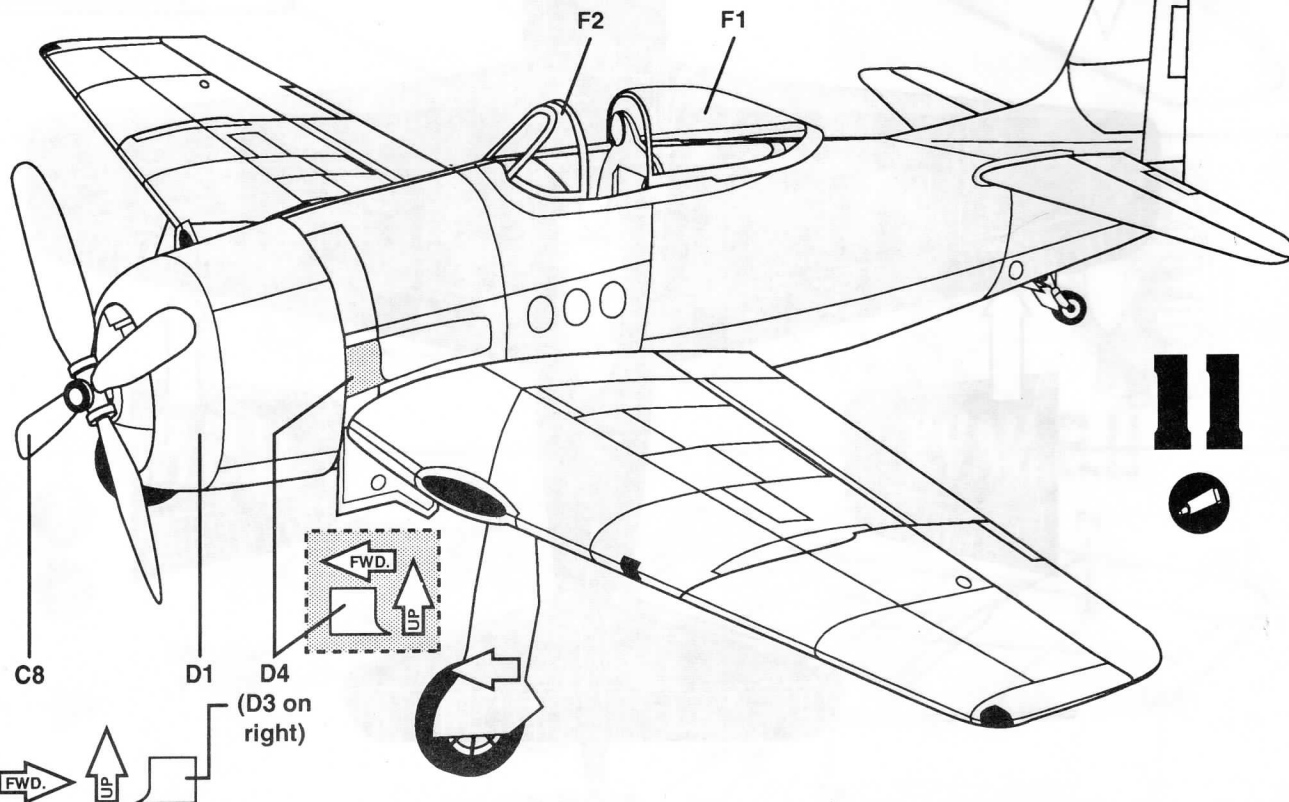
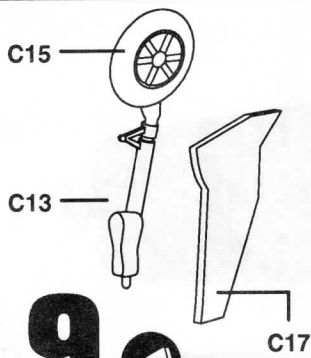
# 10



# 8



# 9



# 11



# 1949 U.S. Navy Blue Angels Bearcat

## Markings • Appliques



paint  
peindre  
bemalen  
verniciare  
pintar



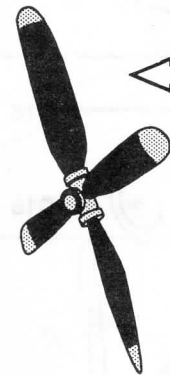
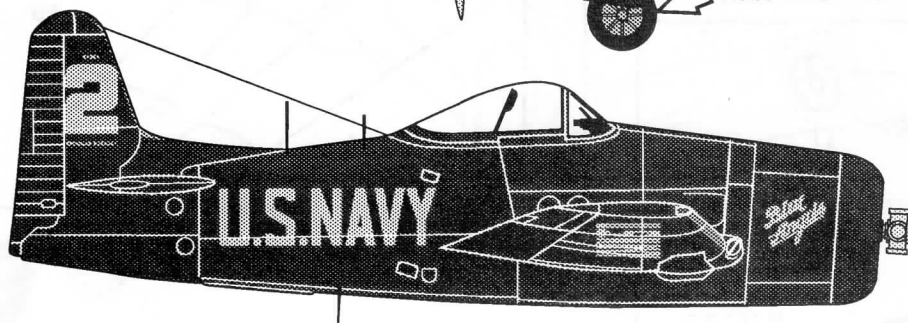
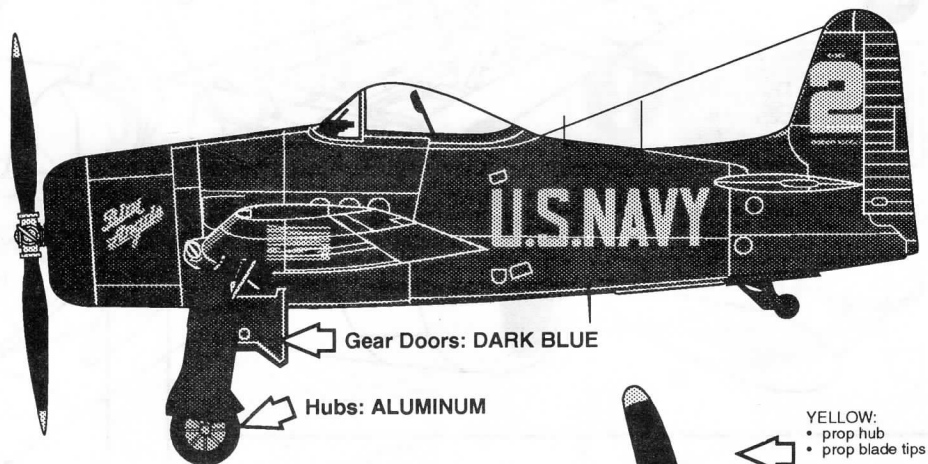
A/N607  
(GLOSS)  
dark blue  
bleu fonce  
Dunkelblau  
azzurro scuro  
azul oscuro



decal  
decalcomania  
Abziehbild  
decalcomania  
calcomanias



WING, FIN &  
STABILIZER  
LEADING  
EDGES:  
aluminum



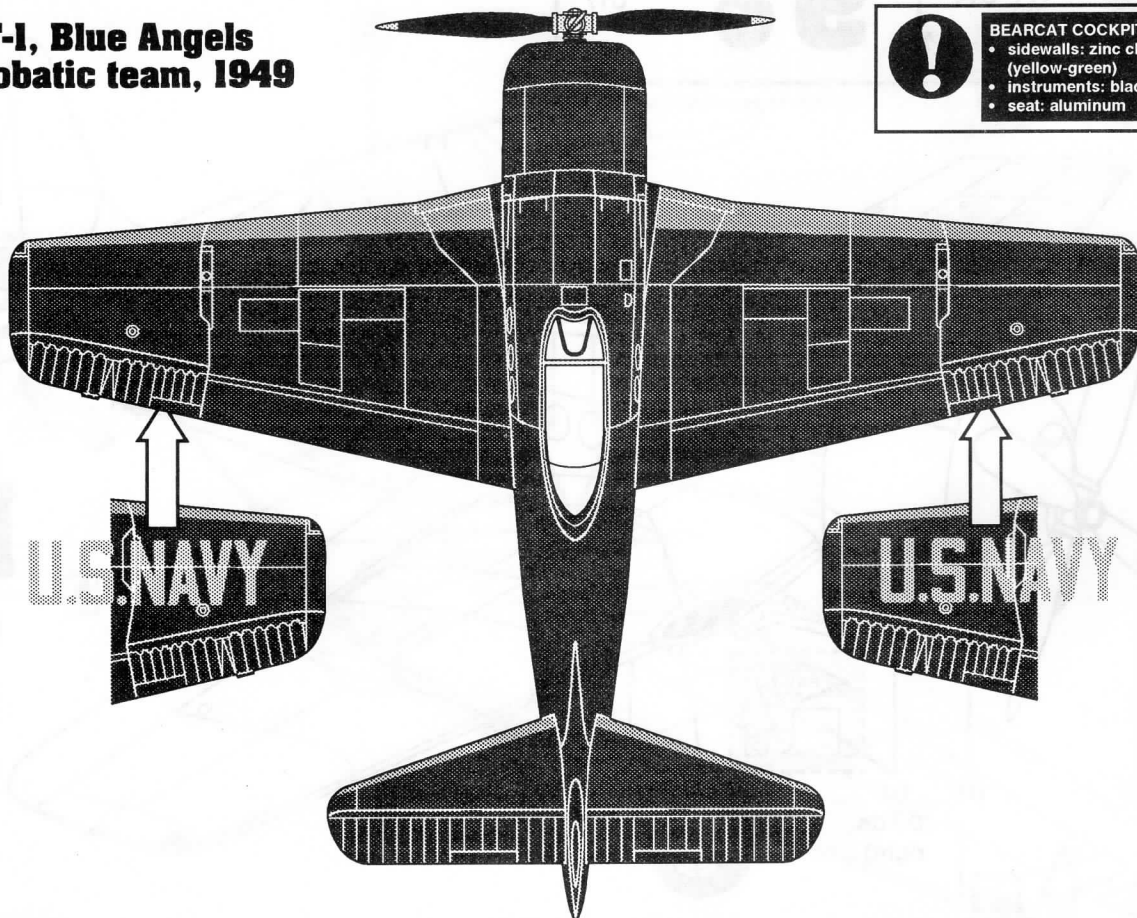
YELLOW:  
• prop hub  
• prop blade tips

BLACK:  
• prop blades

### F8F-1, Blue Angels acrobatc team, 1949



**BEARCAT COCKPIT:**  
• sidewalls: zinc chromate  
(yellow-green)  
• instruments: black  
• seat: aluminum



# 1949 U.S. Navy Blue Angels Bearcat

## Markings • Appliques



paint  
peindre  
bemalen  
verniciare  
pintar



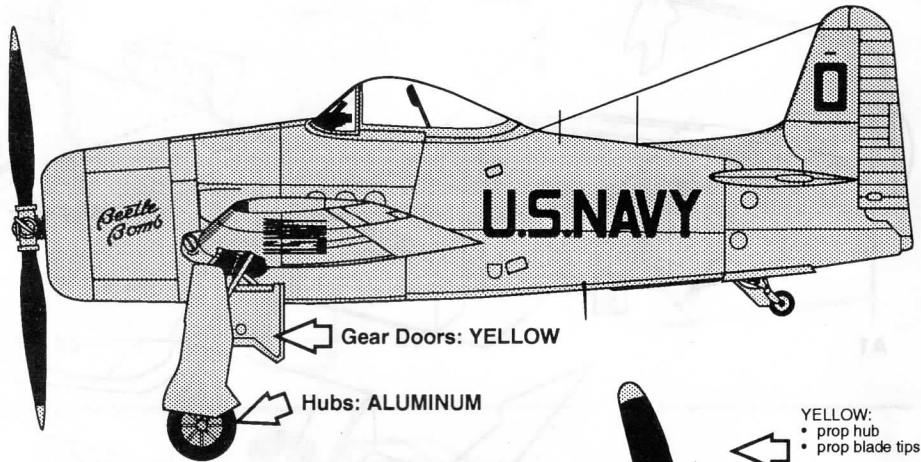
A/N614  
(GLOSS)  
yellow  
jaune  
Gelb  
giallo  
amarillo



decal  
decalcomania  
Abziehbild  
decalcomania  
calcomanias



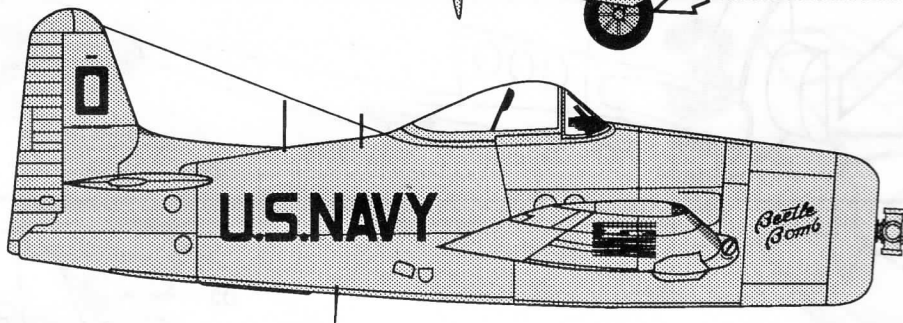
WING, FIN &  
STABILIZER  
LEADING  
EDGES:  
aluminum



Gear Doors: YELLOW

Hubs: ALUMINUM

YELLOW:  
• prop hub  
• prop blade tips  
BLACK:  
• prop blades

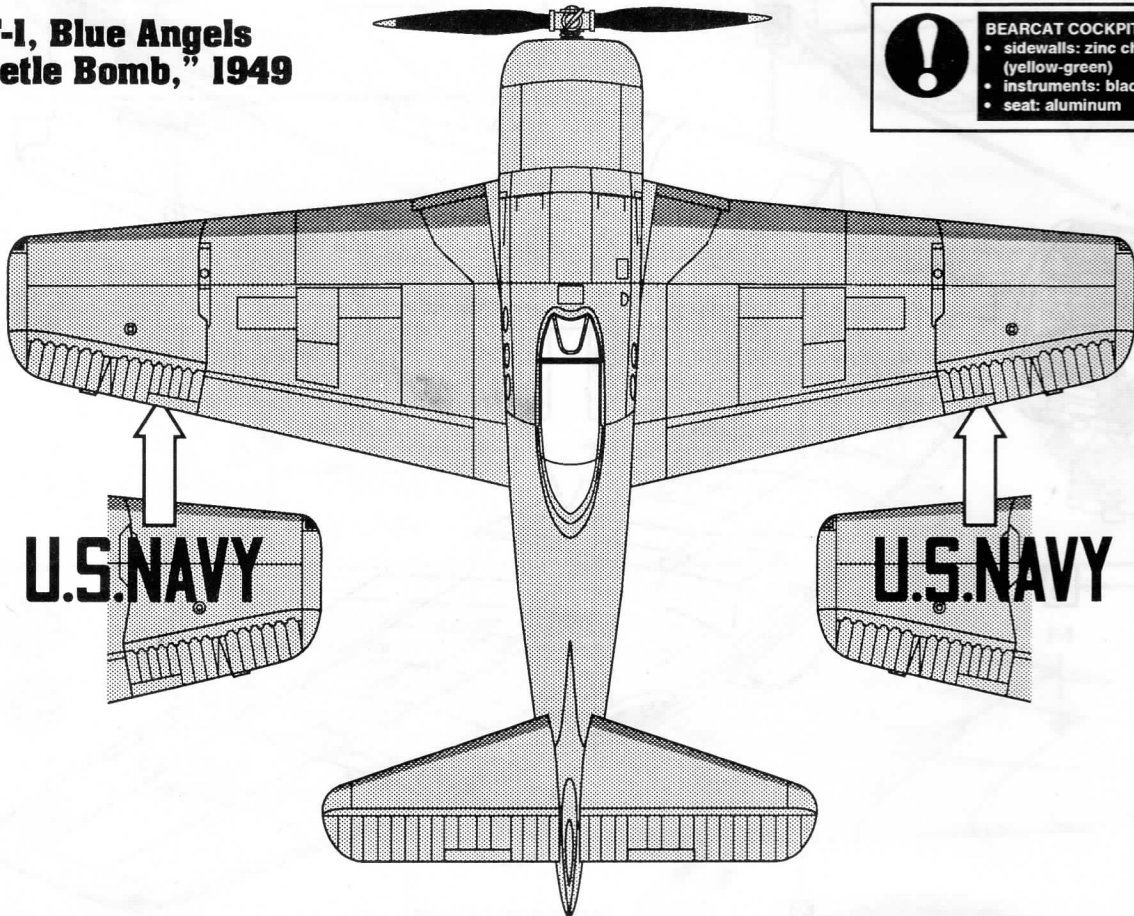


### F8F-1, Blue Angels "Beetle Bomb," 1949



**BEARCAT COCKPIT:**

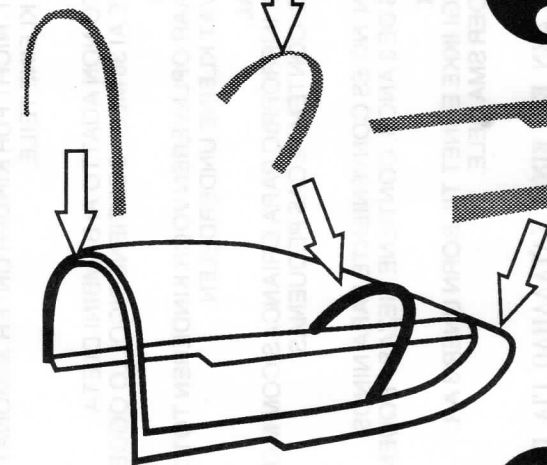
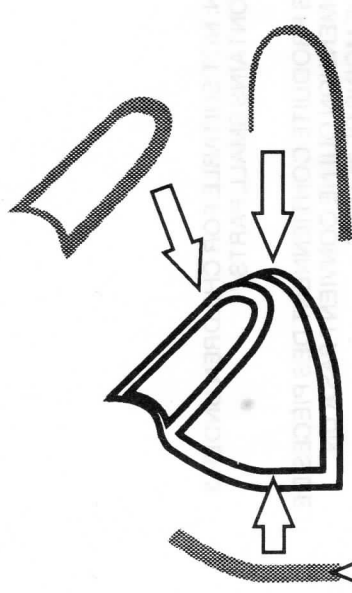
- sidewalls: zinc chromate (yellow-green)
- instruments: black
- seat: aluminum





# decal canopy framing

**trim to fit!**



choose color  
to match  
camouflage  
finish


**x2** left & right



decal  
decalcomania  
Abziehbild  
decalcomania  
calcomanías

To receive your free Hobbycraft kit!



- Collect **three (3) UPC codes** from the sides of three (3) Hobbycraft kits. A UPC code looks like this example  →
- 1/144-scale Hobbycraft kits are not eligible for this special promotion.**
- Mail the following to Hobbycraft Canada, c/o "Triple Play," 140 Applewood Crescent, Concord, Ontario L4K 4E2, Canada:
  - This **completed** request form indicating your choice of kit.
  - The three (3) UPC codes.
  - The store receipt(s) **showing proof-of-purchase for these kits.**
  - In Canada and The U.S.A.:** a check, money order or credit card for \$5.00 payable to "Hobbycraft Canada" to cover postage & handling.
  - In all other countries:** a money order or credit card for US\$5.00 payable to "Hobbycraft Canada" to cover postage & handling.
- Requests must be **postmarked no later than December 31, 1998.**
- Allow **six (6) to eight (8) weeks for delivery.**

Please tell us a little about yourself:

Your Age? (check one):

- under 10                       11-19                       20-29                       30-39  
 40-49                       50-59                       60 or older

Your Sex?     Male     Female    E-Mail Address (if any) \_\_\_\_\_

Your Favorite Modelling Subject(s) (check all that apply):

- military aircraft                       civil aircraft                       helicopters  
 military vehicles                       cars                       warships  
 commercial ships                       scale model railroading  
 toy trains                       other: \_\_\_\_\_

Average amount you **spend monthly** on your hobby (check one):


- \$1-\$50                       \$51-\$100                       \$101-\$200  
 \$201-\$300                       more than \$300

Choose from among these exciting Hobbycraft kits!

HC1332	1/72 Su-25	HC1363	1/72 Bell X-1	HC1368	1/72 French AD-4
HC1389	1/72 C-45H	HC1394	1/72 CF-100 Mk V	HC1399	1/72 Sabre 6
HC1564	1/48 Me 109E-1	HC1566	1/48 Me 109B	HC1573	1/48 Vampire Mk I
HC1577	1/48 I-16, Tp. 18	HC1580	1/48 Piper Cub	HC1589	1/48 Lavochkin La.5

Yes! Please send me my FREE Hobbycraft kit!

1st choice:    HC \_\_\_\_\_ kit: \_\_\_\_\_                      2nd choice:    HC \_\_\_\_\_ kit: \_\_\_\_\_  
 3rd choice:    HC \_\_\_\_\_ kit: \_\_\_\_\_                      4th choice:    HC \_\_\_\_\_ kit: \_\_\_\_\_

\_\_\_\_\_ (number)                      \_\_\_\_\_ (expiration)

Name \_\_\_\_\_ Phone \_\_\_\_\_

Street Address \_\_\_\_\_

City \_\_\_\_\_ State/Province \_\_\_\_\_ ZiP/Post Code \_\_\_\_\_

Country \_\_\_\_\_