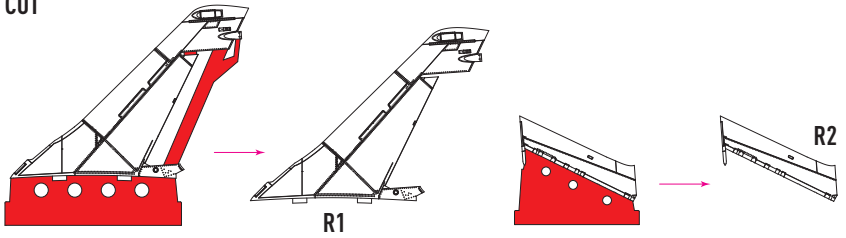
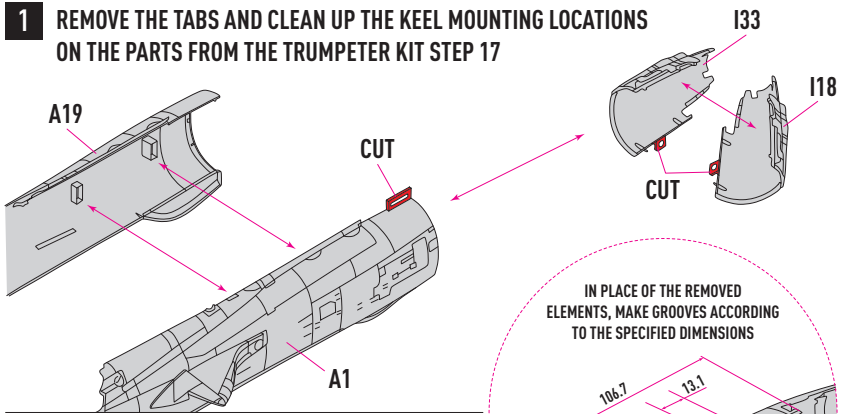


CUT



1 REMOVE THE TABS AND CLEAN UP THE KEEL MOUNTING LOCATIONS ON THE PARTS FROM THE TRUMPETER KIT STEP 17



2

