

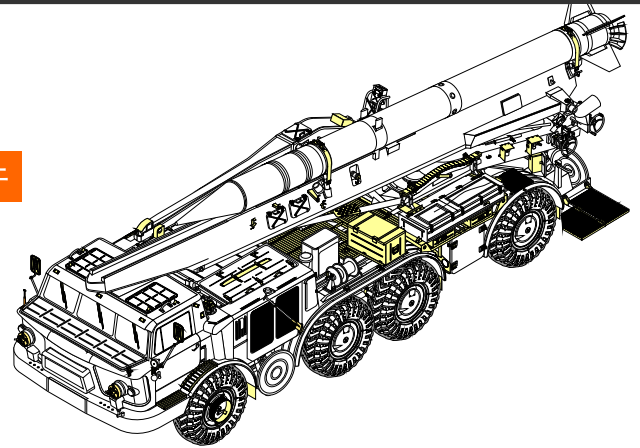
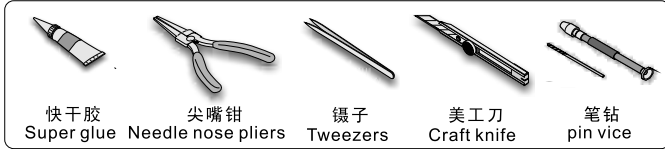
1/35 MILITARY MINIATURE VEHICLE UPGRADE SERIES PE35888










Modern Russian 9P113 TEL w/9M21rocket (Frog 7)Basic


现代俄罗斯9P113蛙-7导弹系统改造基本件

[For TRUMPETER 01025]

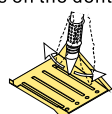
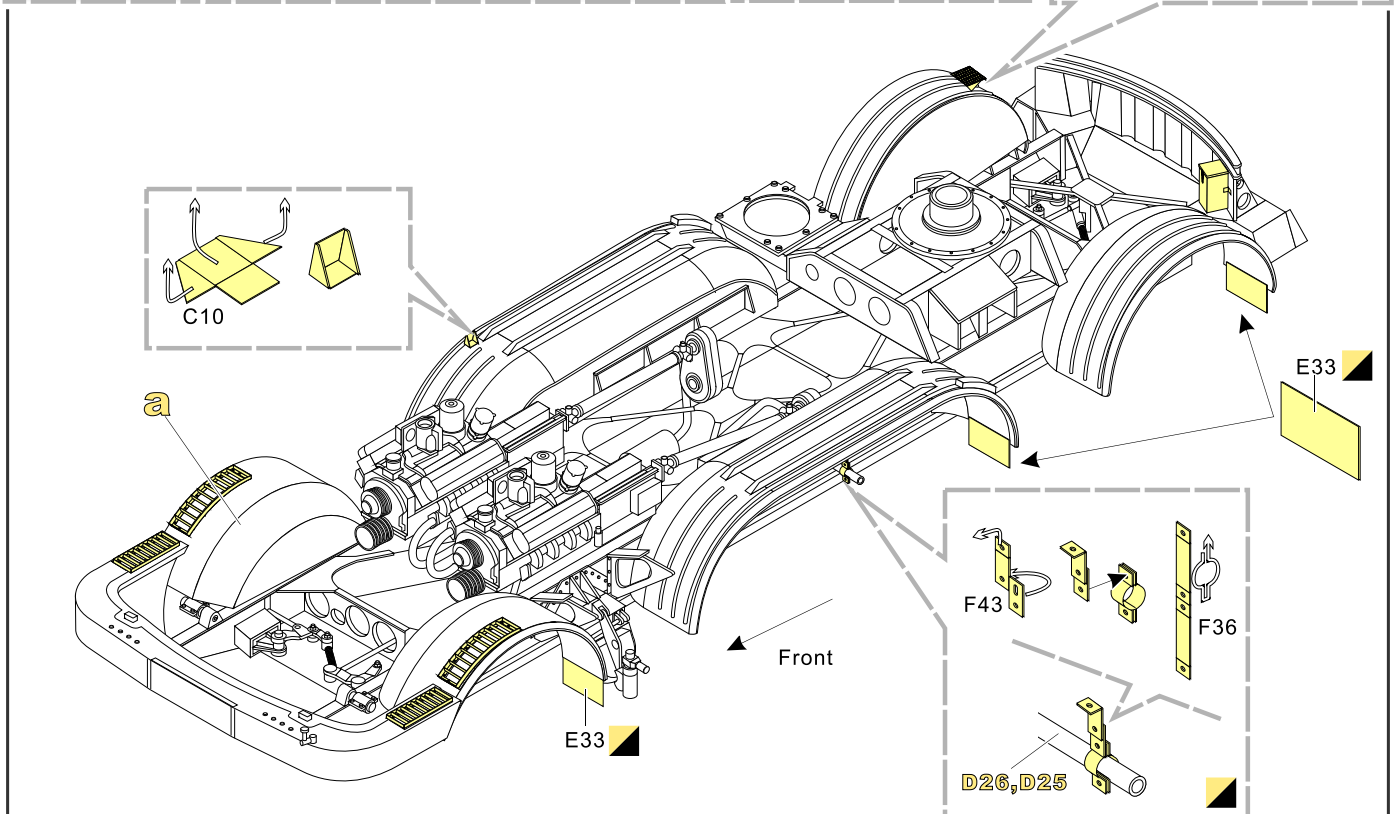
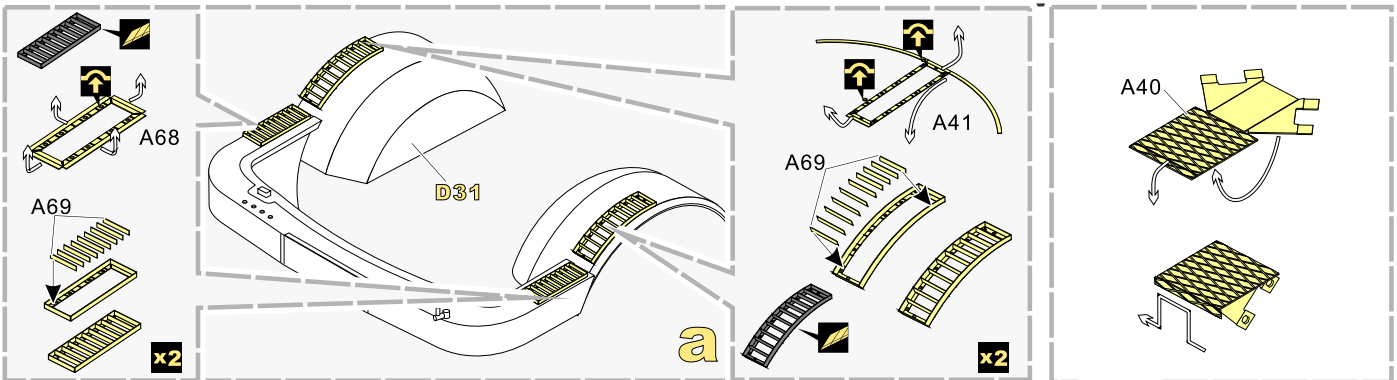
推荐使用工具 RECOMMENDED TOOLS



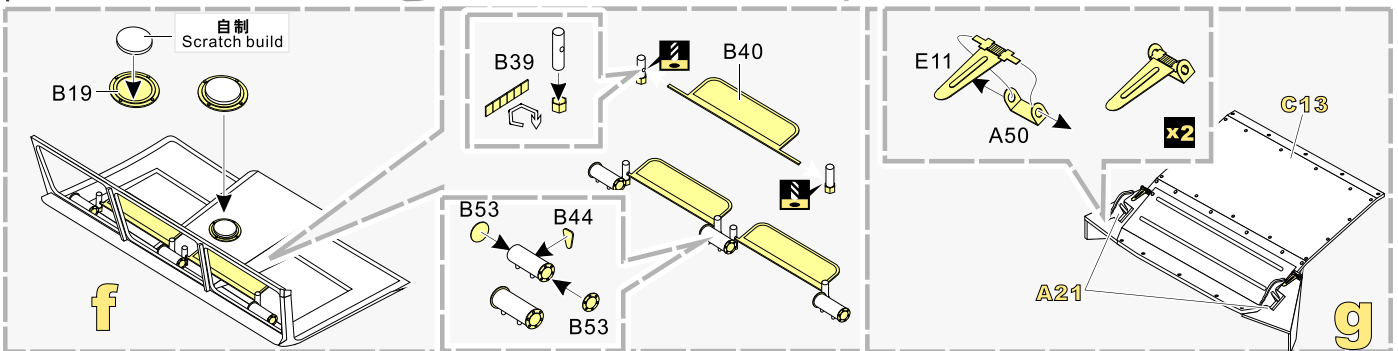
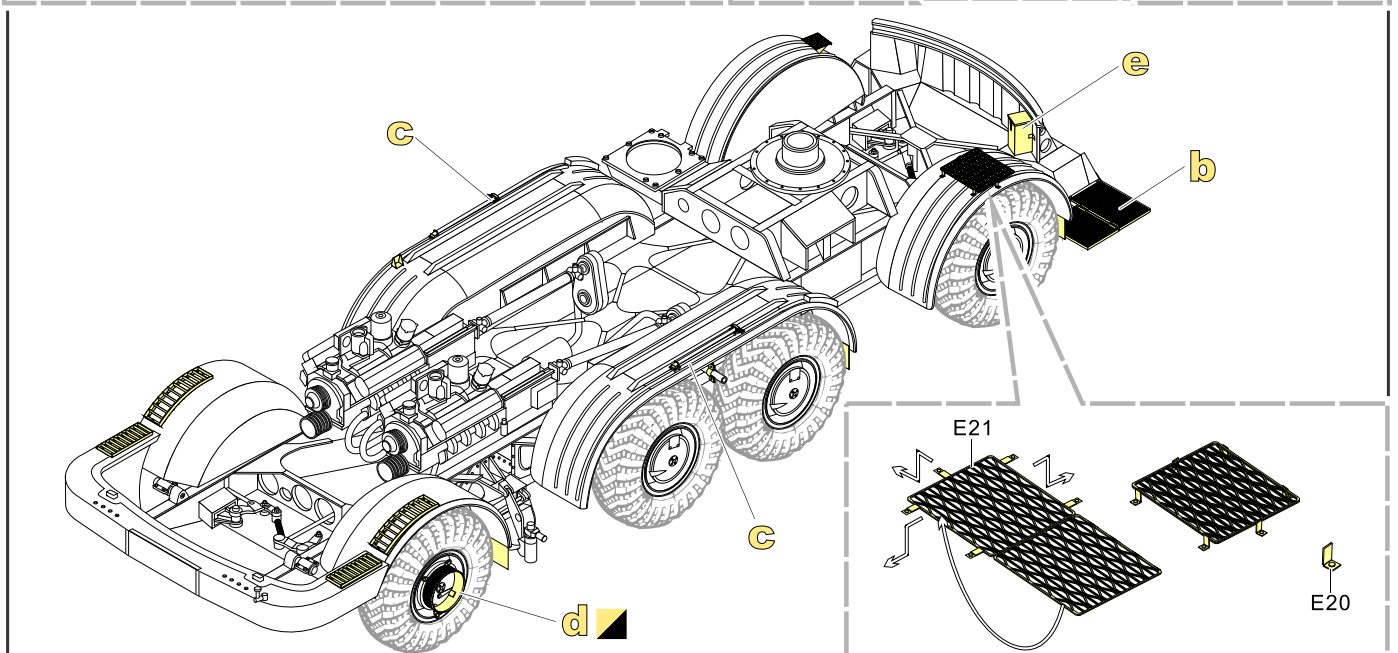
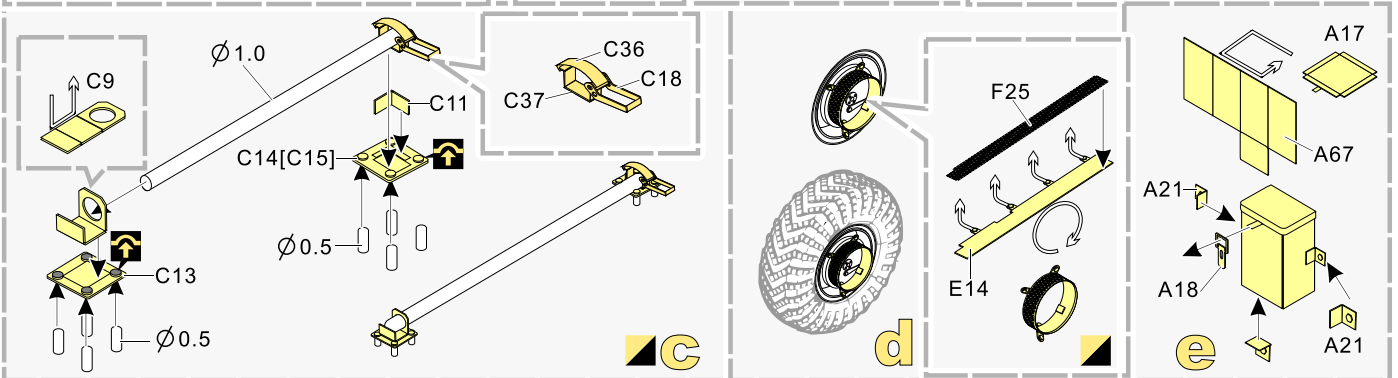
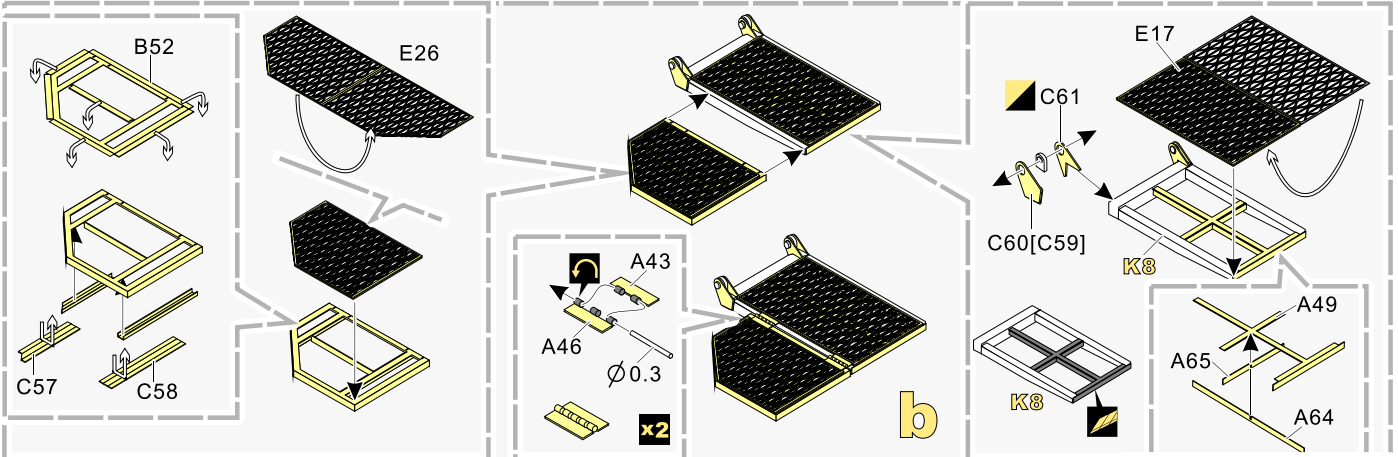
- 
 安装
install
- 
 折叠
bend
- A1**
 改造件零件编号
PE/resin part number
- B12**
 原零件编号
kit part number
- C22**
 被替换的原零件编号
replaced kit part number
- 
 另一侧相同制作
repeat on opposite side
- 
 切除
remove
- 
 打磨
grind off
- 
 弧度卷曲
radial bending
- 
 制作若干组
multiple assembly
- 
 选择安装
alternative
- 
 钻孔
drill


 用尖端在凹槽处冲压
use pinpoint to press on the dent

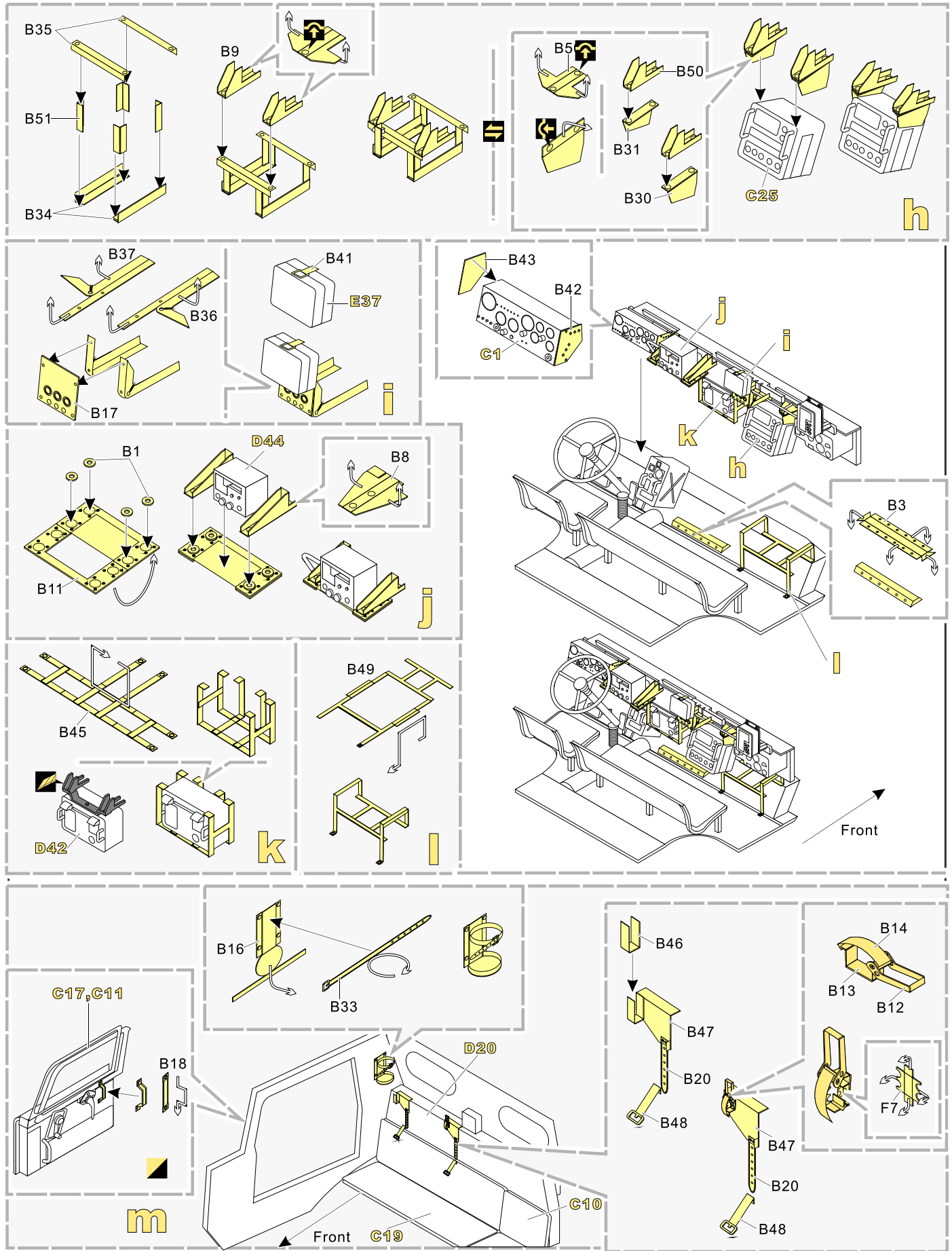
蚀刻片零件内朝面向上
Put the part upside down
 用笔尖在凹槽处刺
Use pinpoint to press on the dent

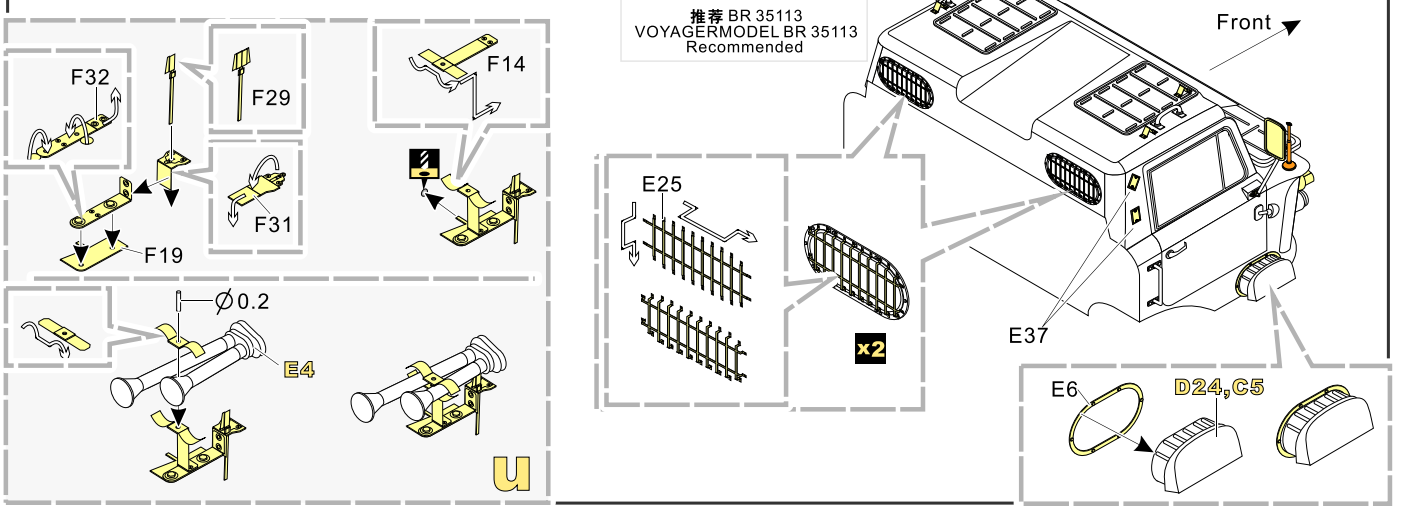
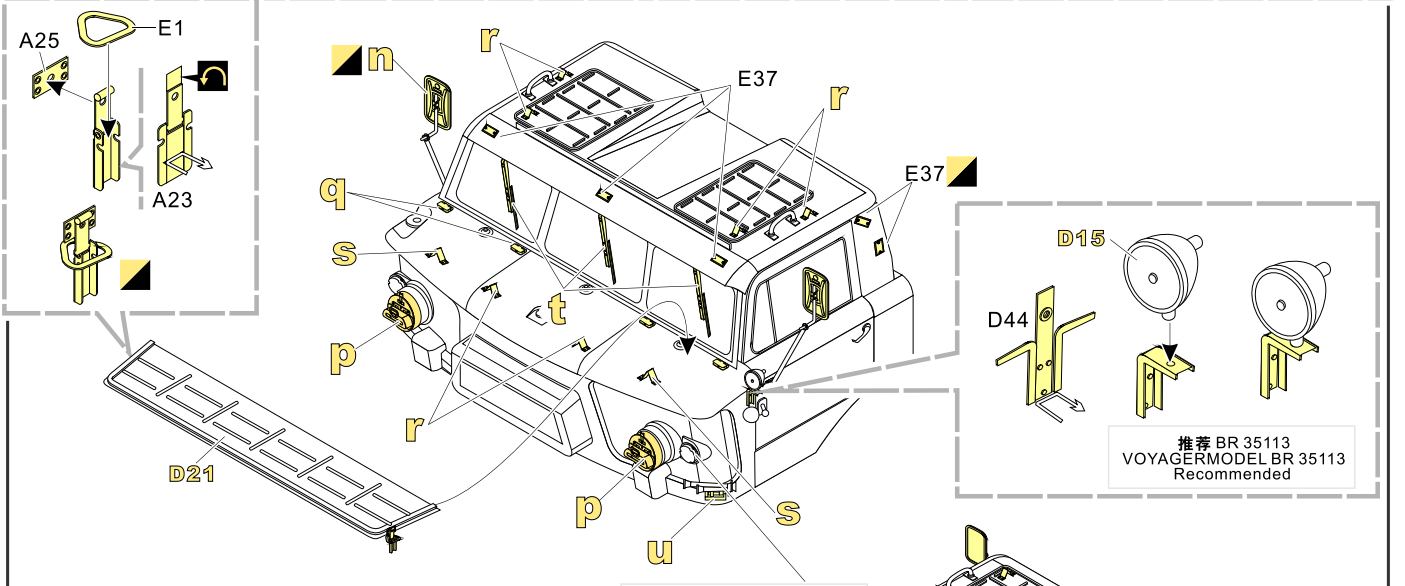
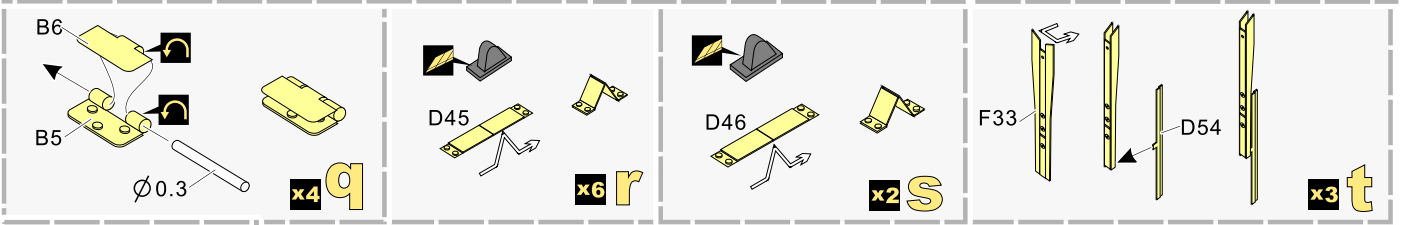
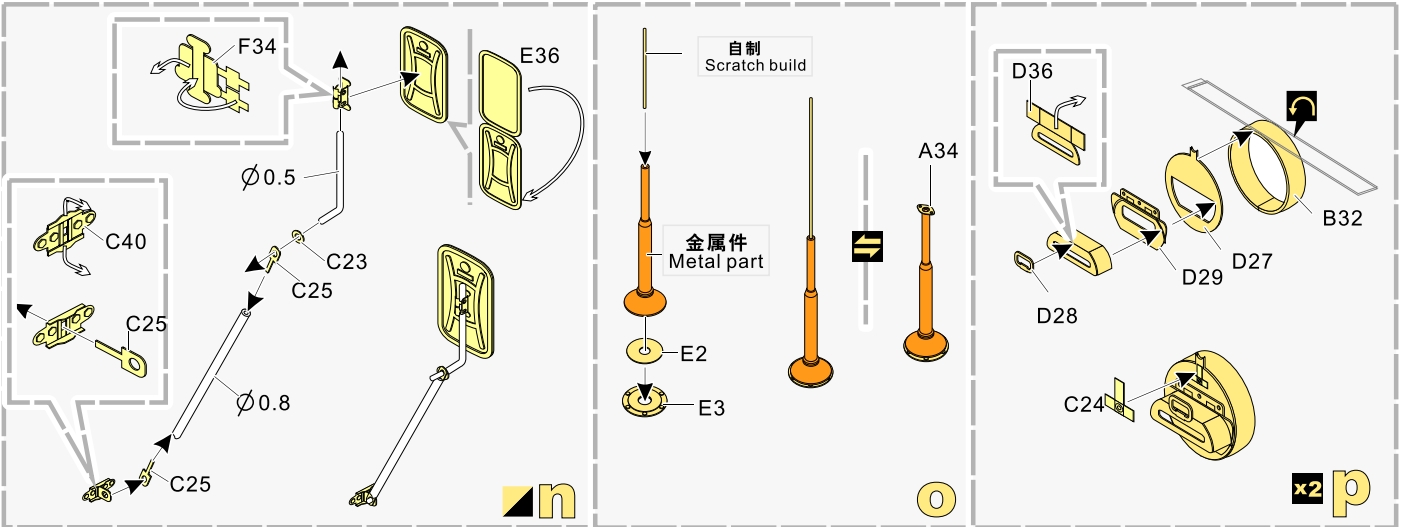
1/35 MILITARY MINIATURE VEHICLE UPGRADE SERIES PE35888



1/35 MILITARY MINIATURE VEHICLE UPGRADE SERIES PE35888



1/35 MILITARY MINIATURE VEHICLE UPGRADE SERIES PE35888



1/35 MILITARY MINIATURE VEHICLE UPGRADE SERIES PE35888

自制
Scratch build

A16, E28, E29, D57, V

B63, B29, x2 W

D13, E4, D42, D12, F30, F21, F18, A19, E8, Y

A56, A51, E38, Z

F12, F11, F10, A10, A9, A20, A32, F39, A42, F44, X, aa, ab, ac, ad, ae, af

Notice this side

x3 X

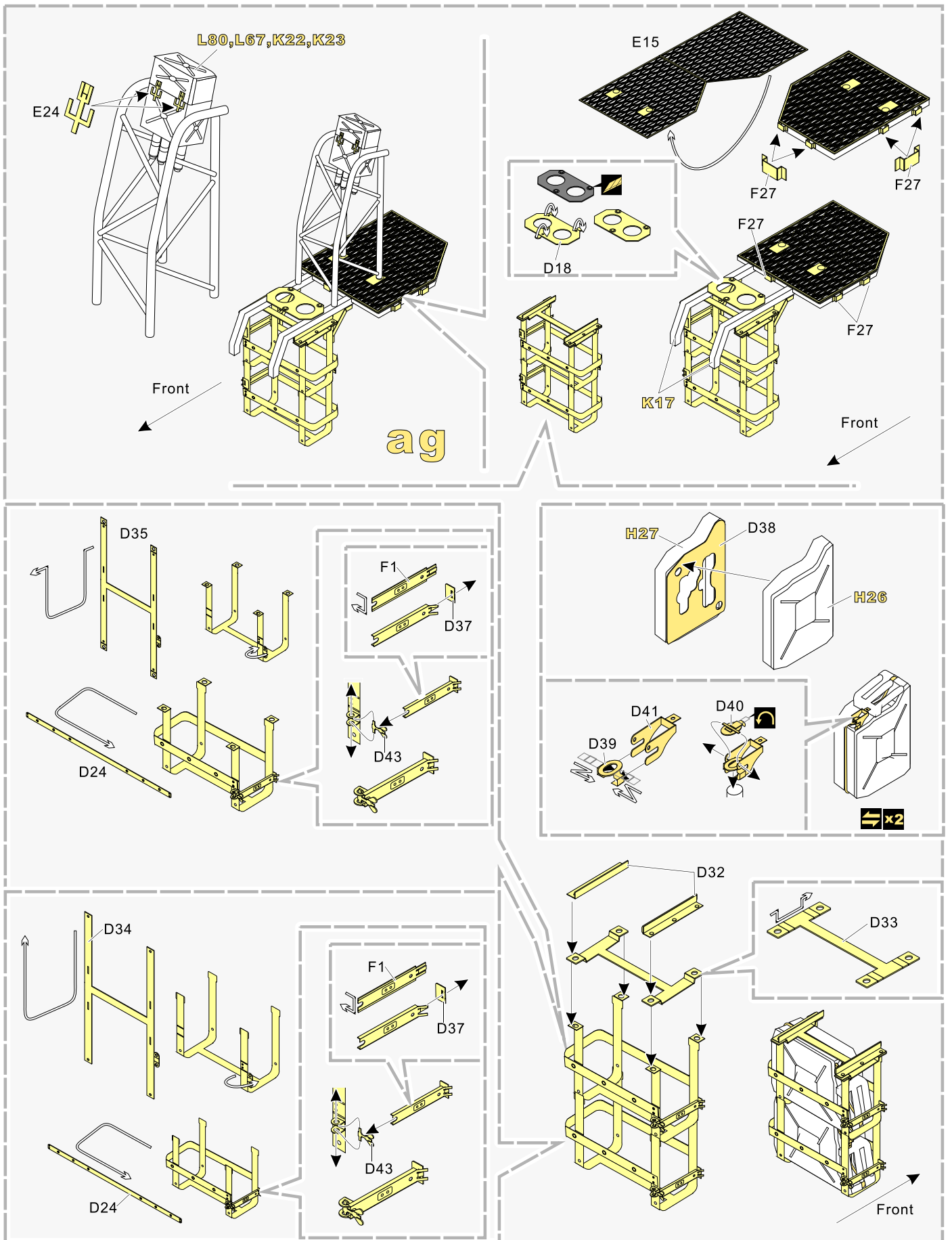
x2 aa, x2 ab, x4 ac, x2 ad, x4 ae, x6 af

Front

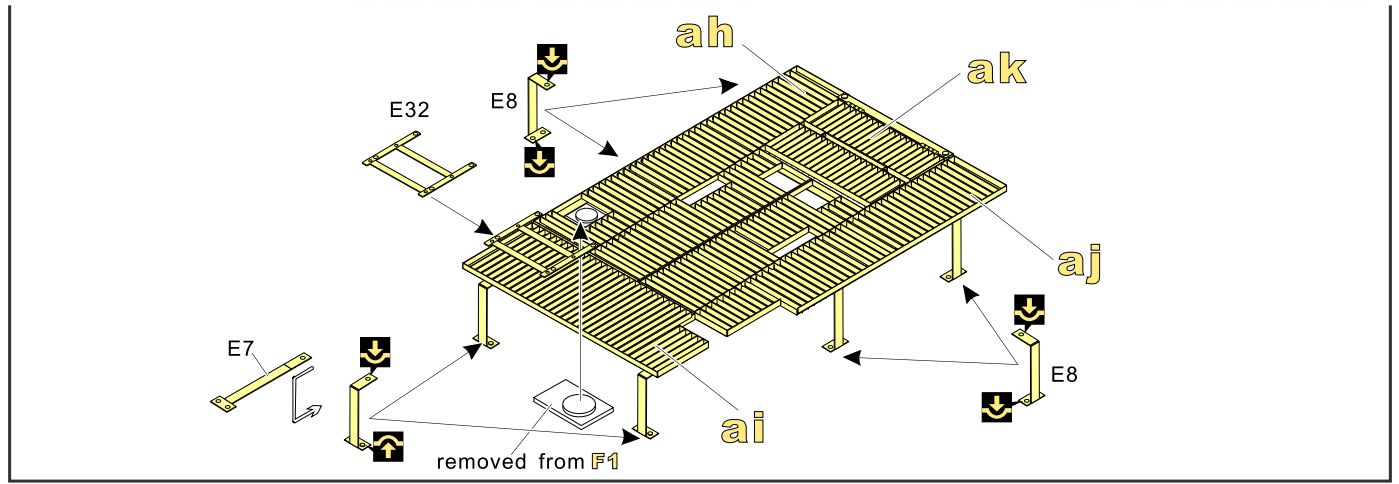
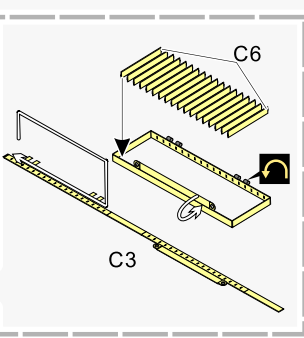
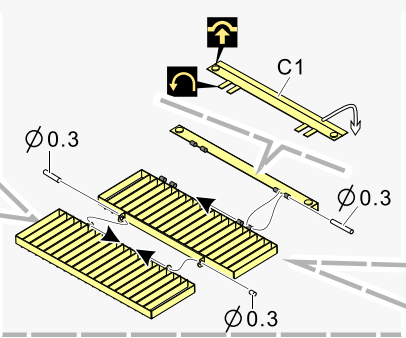
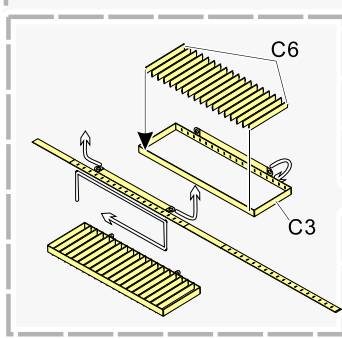
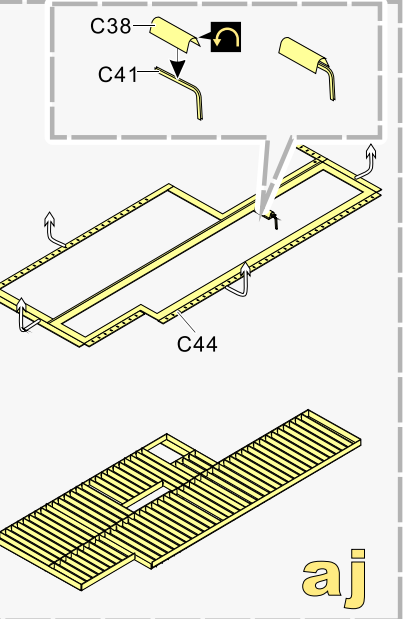
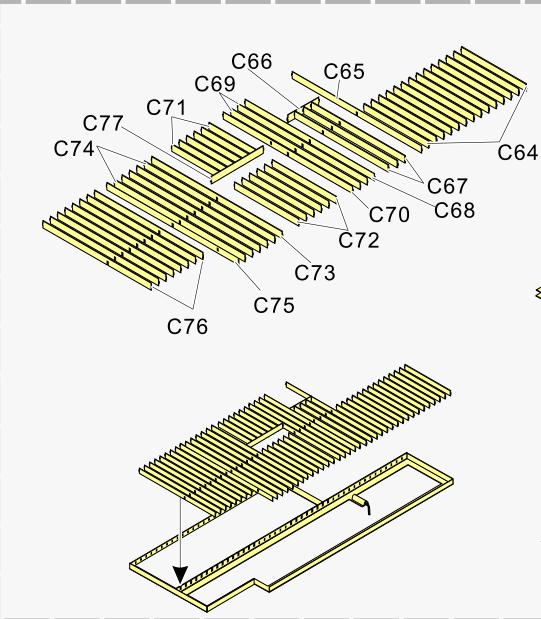
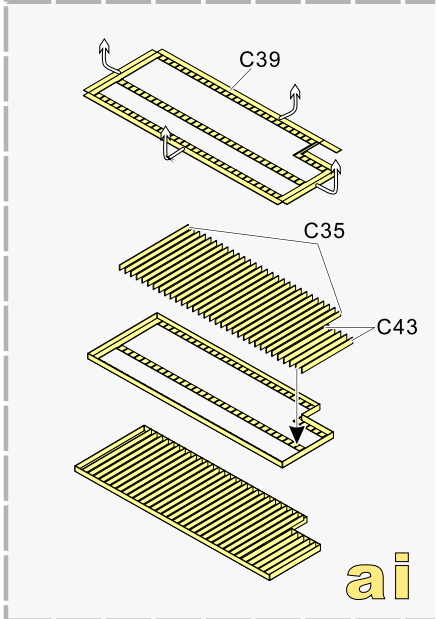
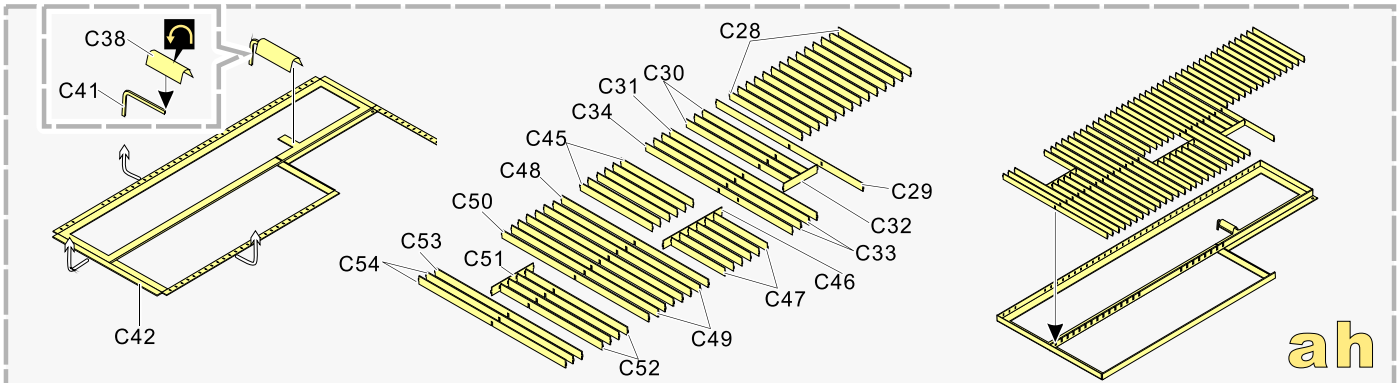
Front

W, F35, F9

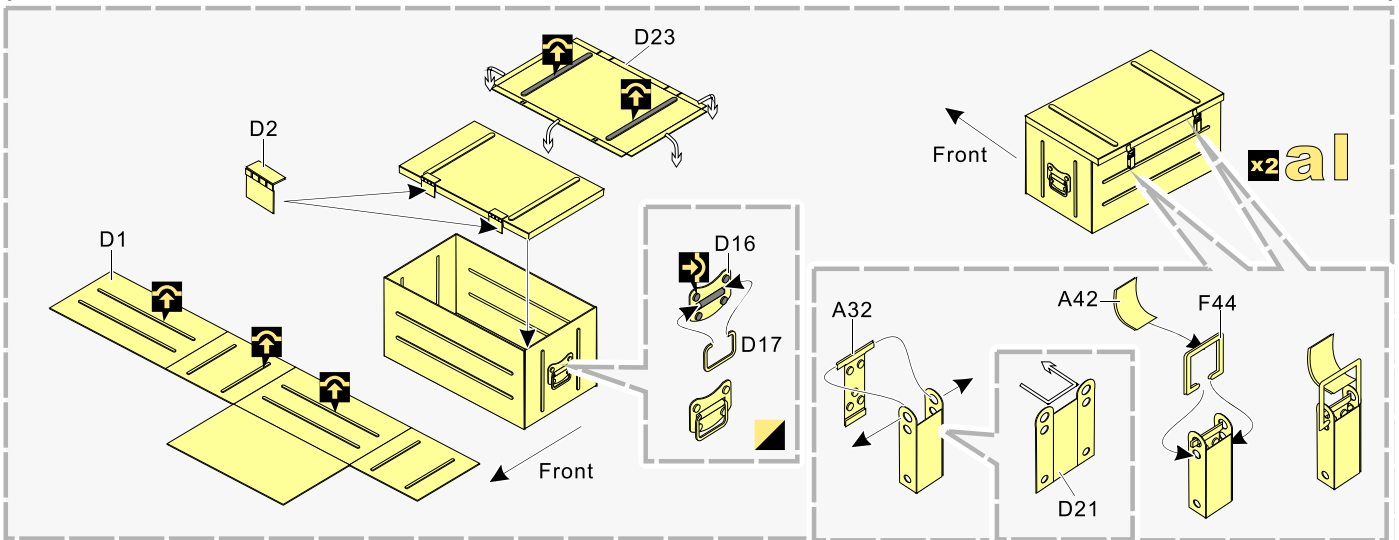
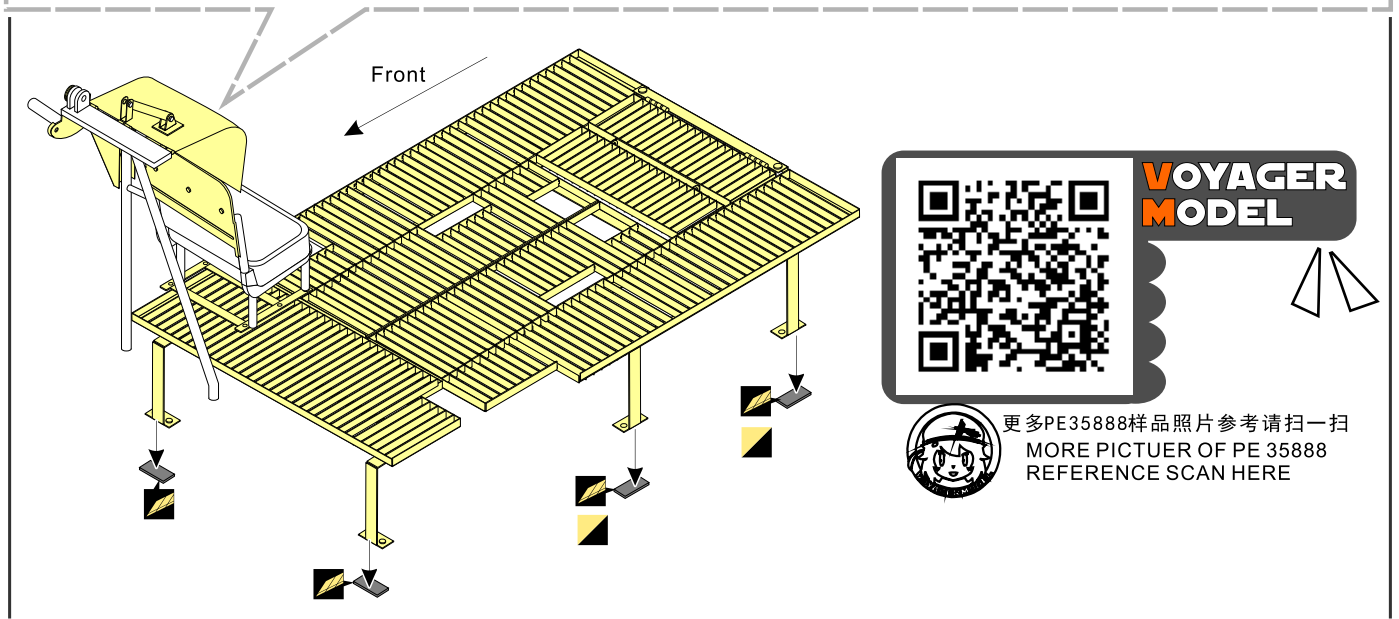
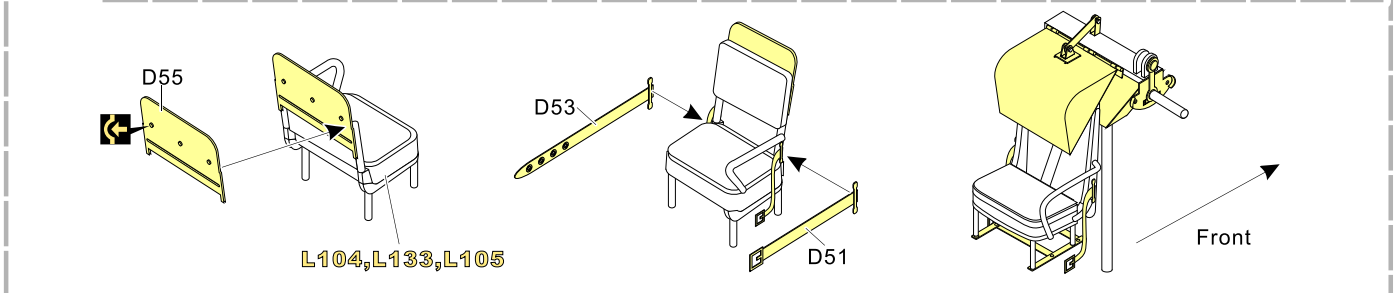
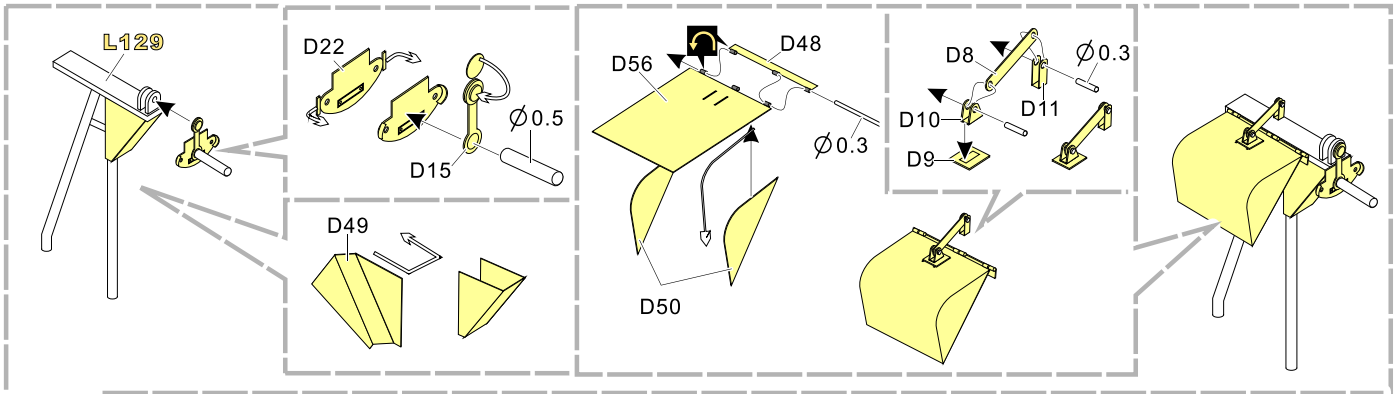
1/35 MILITARY MINIATURE VEHICLE UPGRADE SERIES PE35888



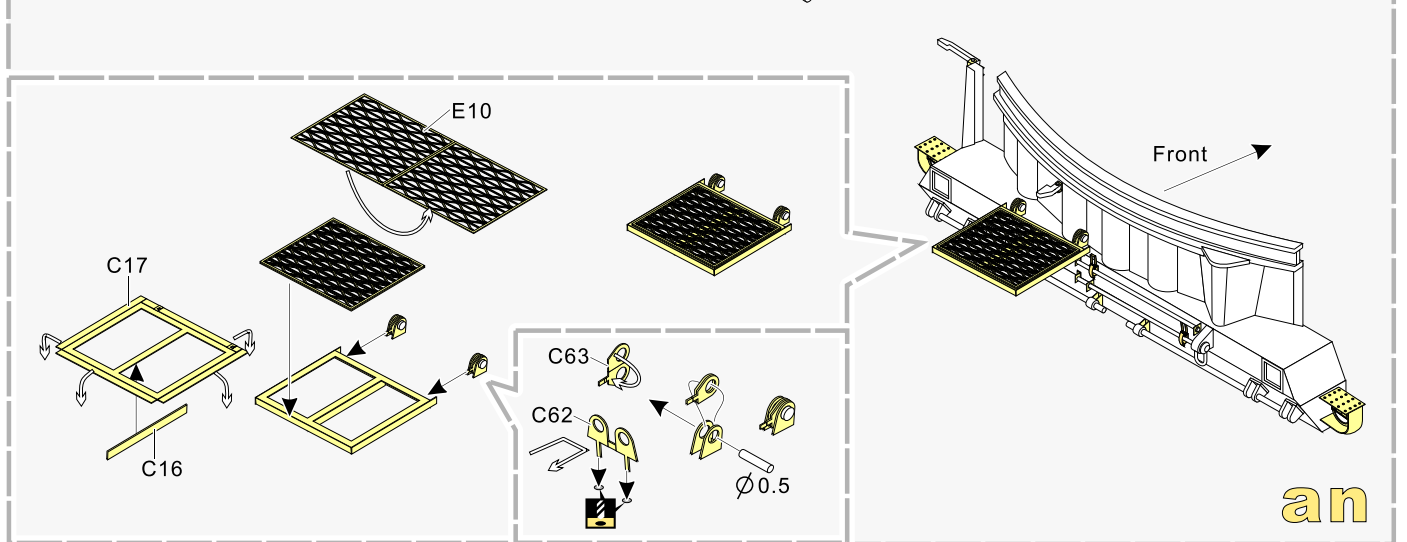
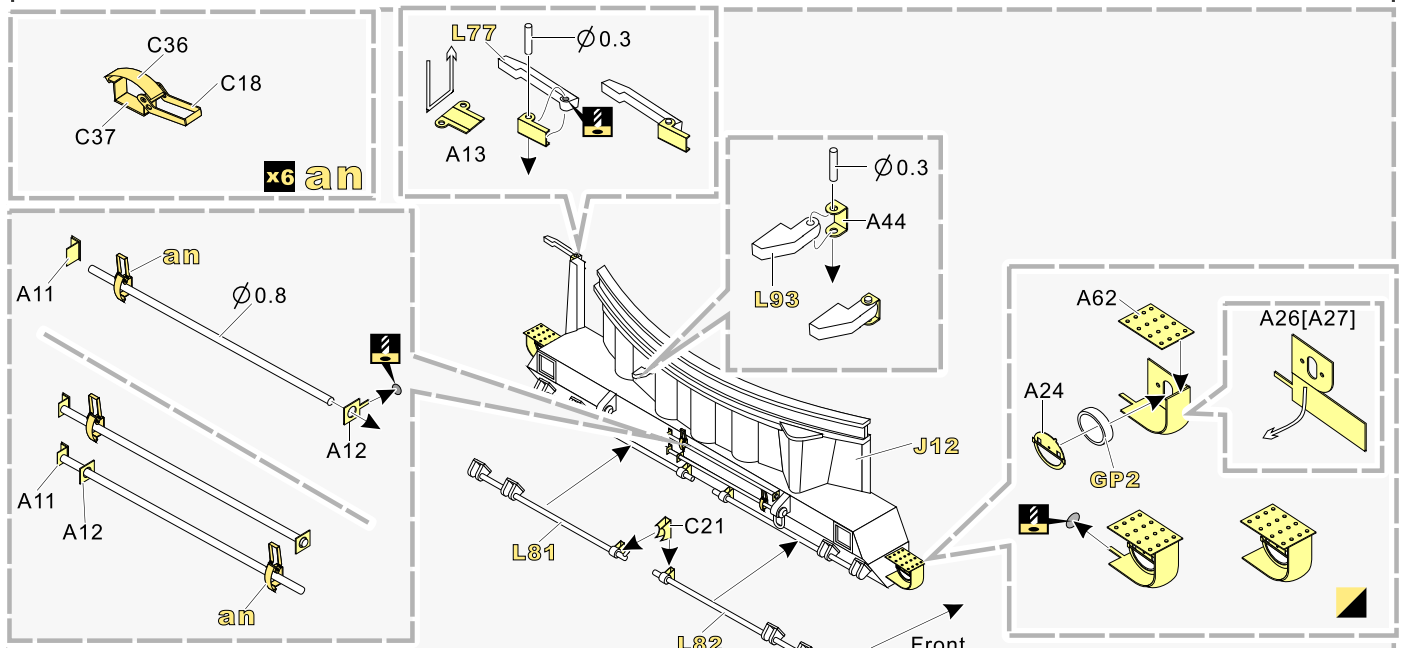
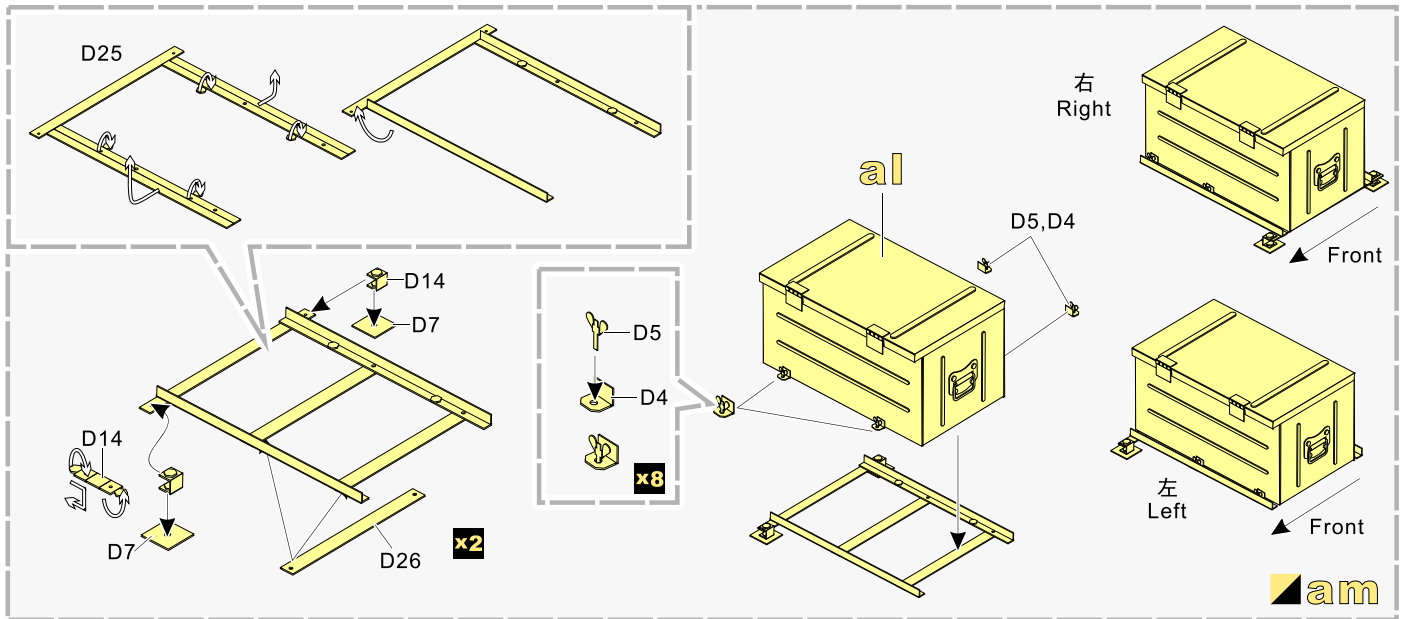
1/35 MILITARY MINIATURE VEHICLE UPGRADE SERIES PE35888



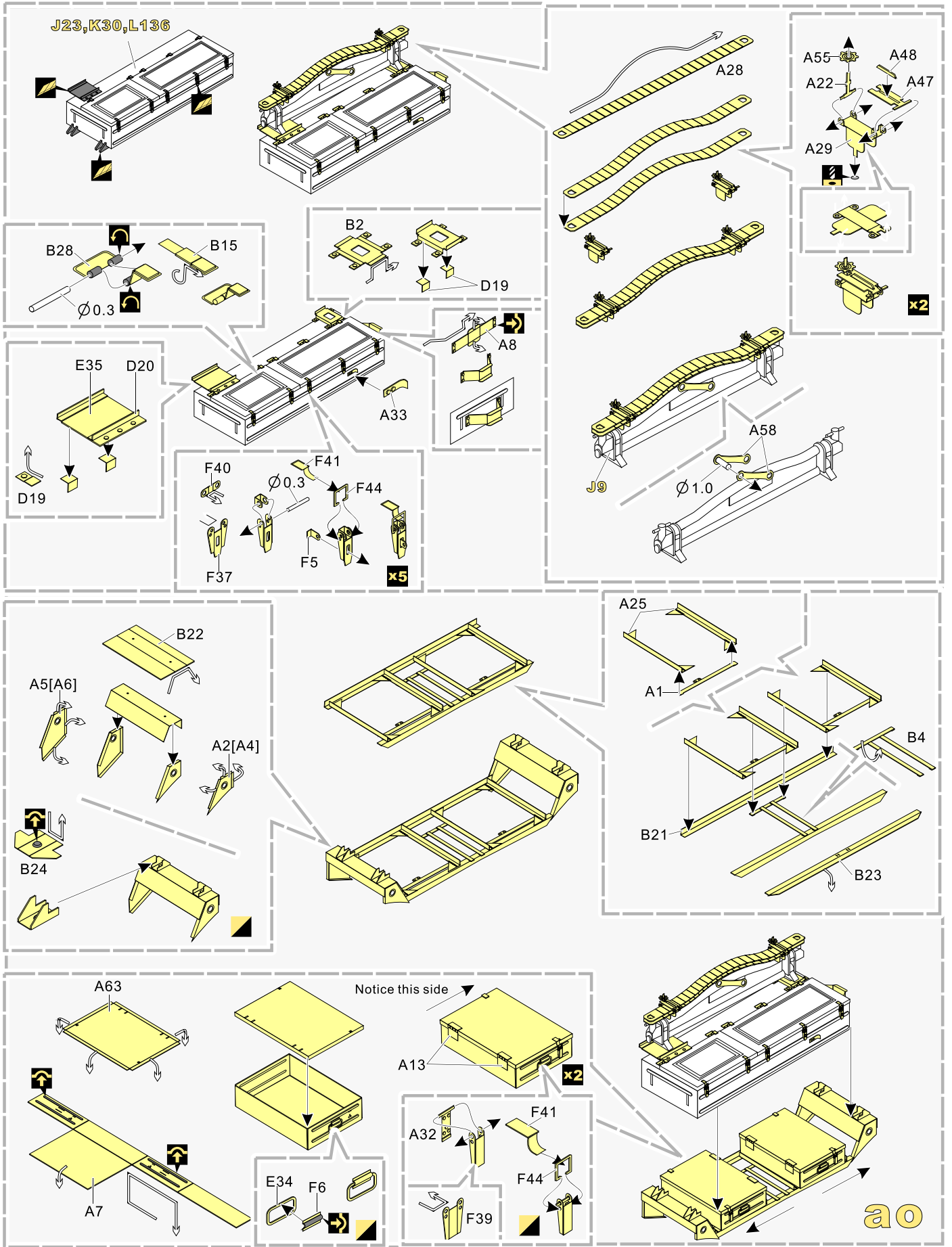
1/35 MILITARY MINIATURE VEHICLE UPGRADE SERIES PE35888



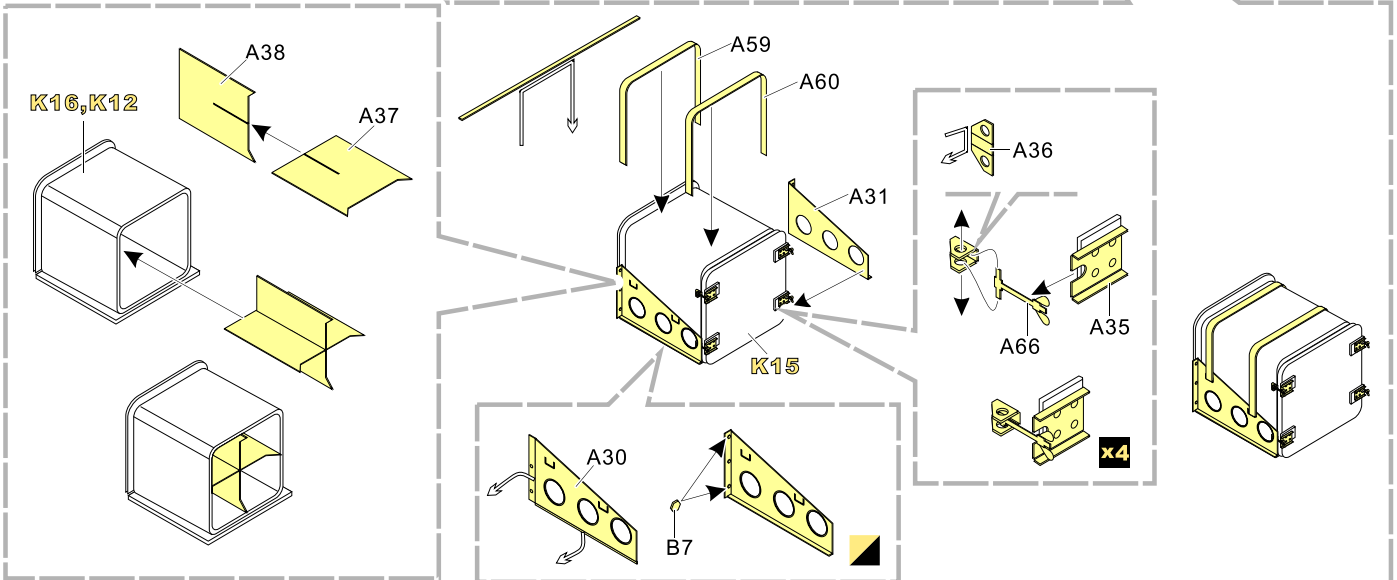
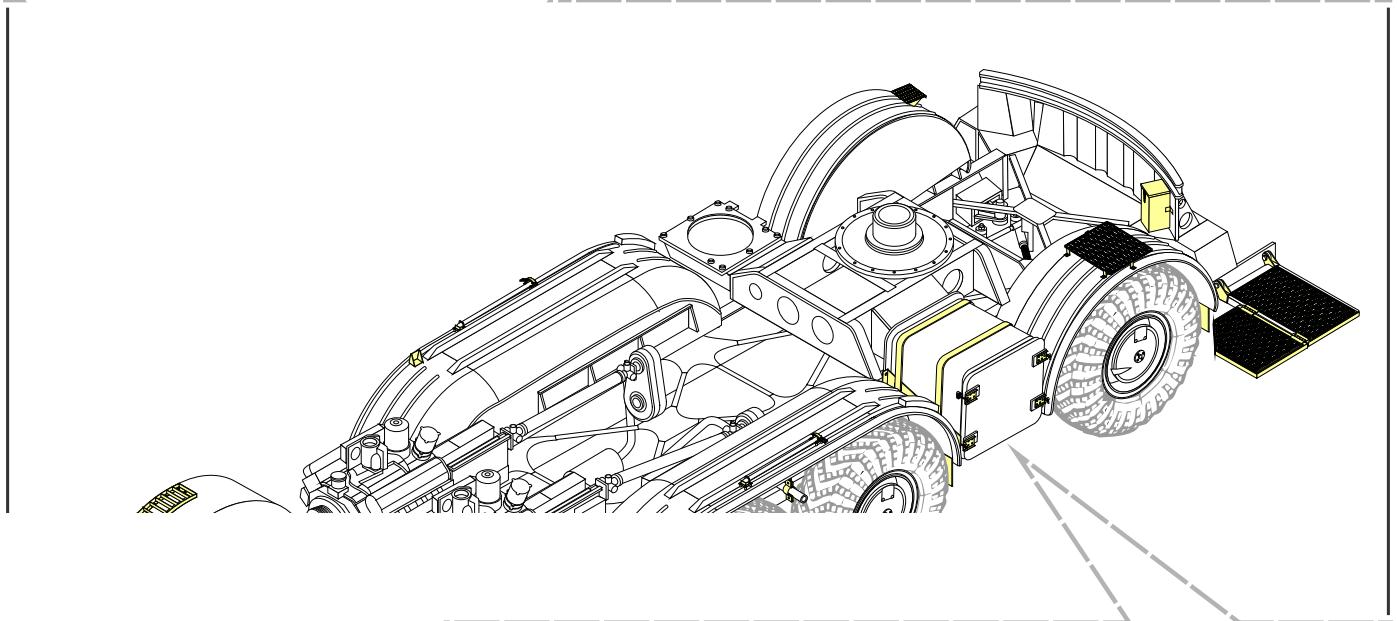
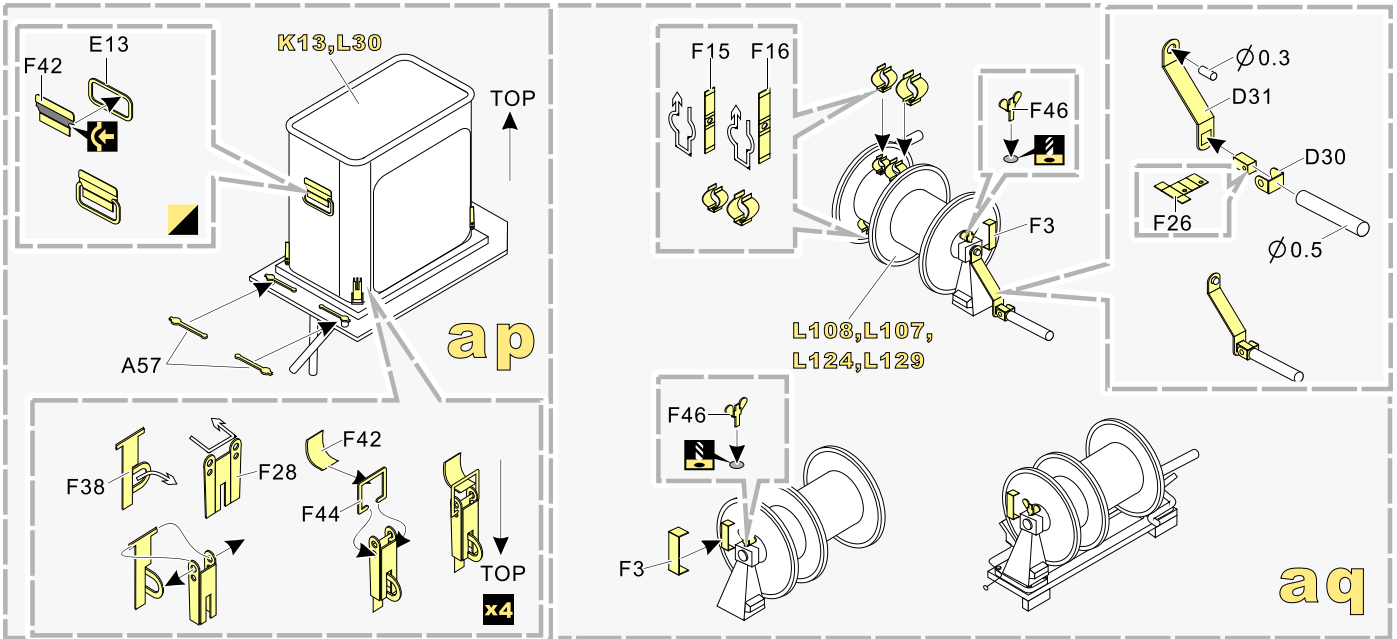
1/35 MILITARY MINIATURE VEHICLE UPGRADE SERIES PE35888



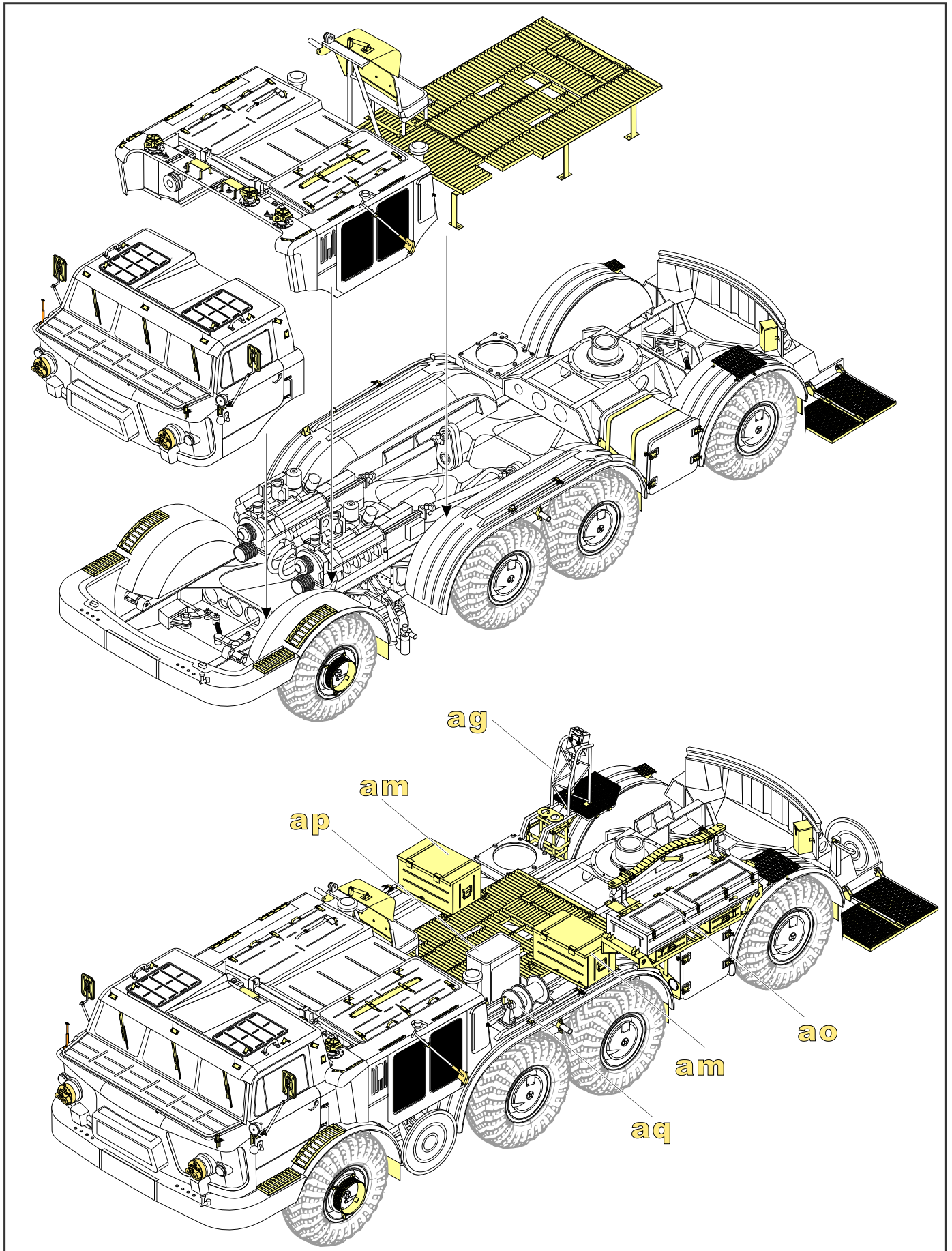
1/35 MILITARY MINIATURE VEHICLE UPGRADE SERIES PE35888



1/35 MILITARY MINIATURE VEHICLE UPGRADE SERIES PE35888



1/35 MILITARY MINIATURE VEHICLE UPGRADE SERIES PE35888



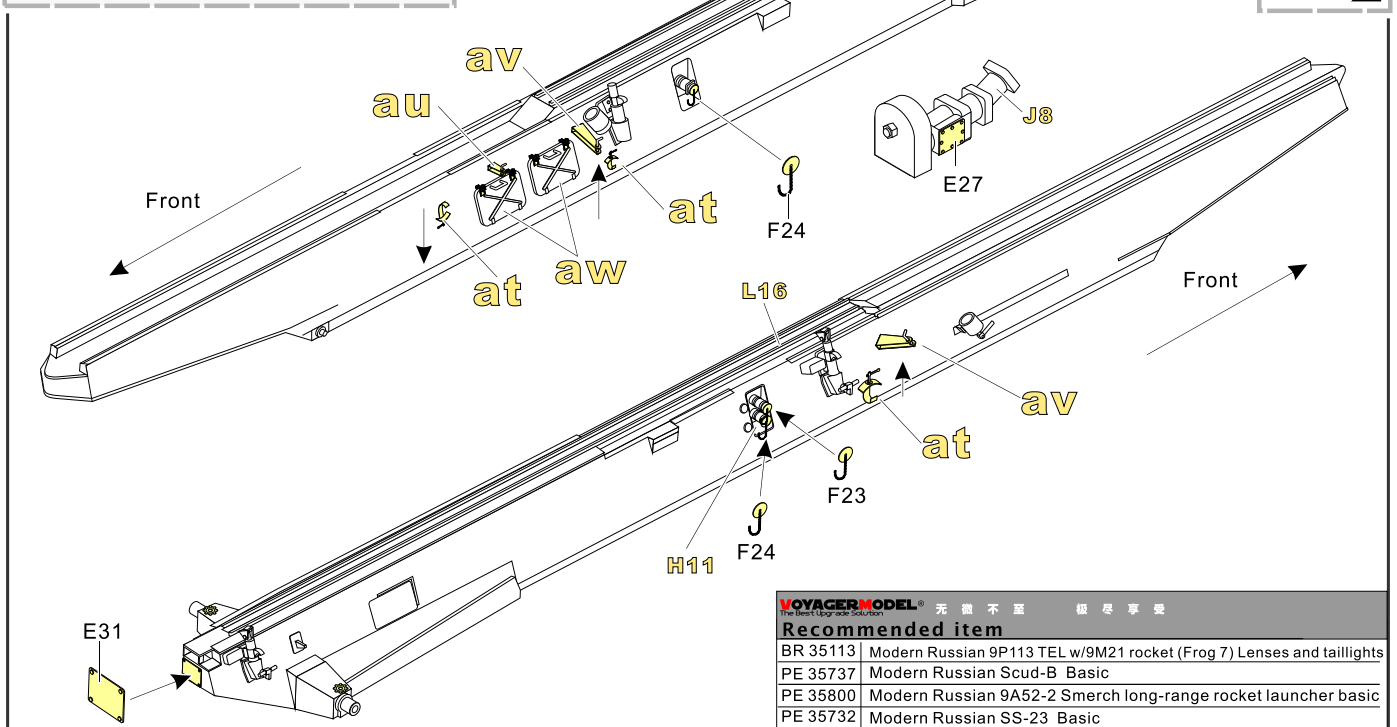
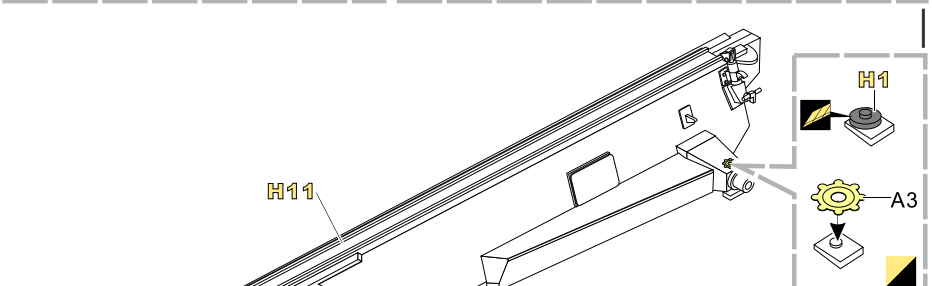
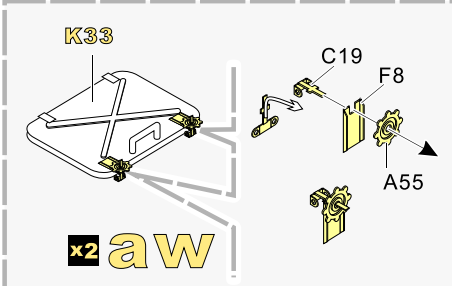
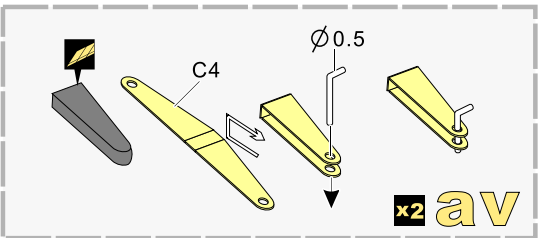
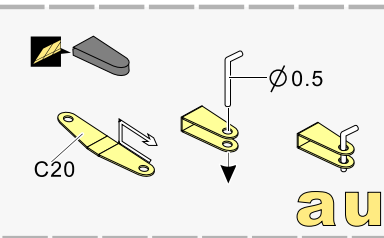
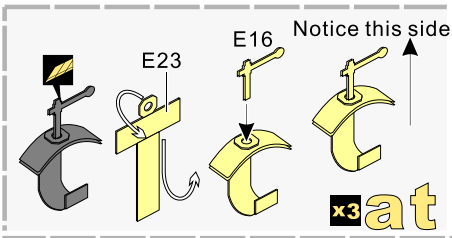
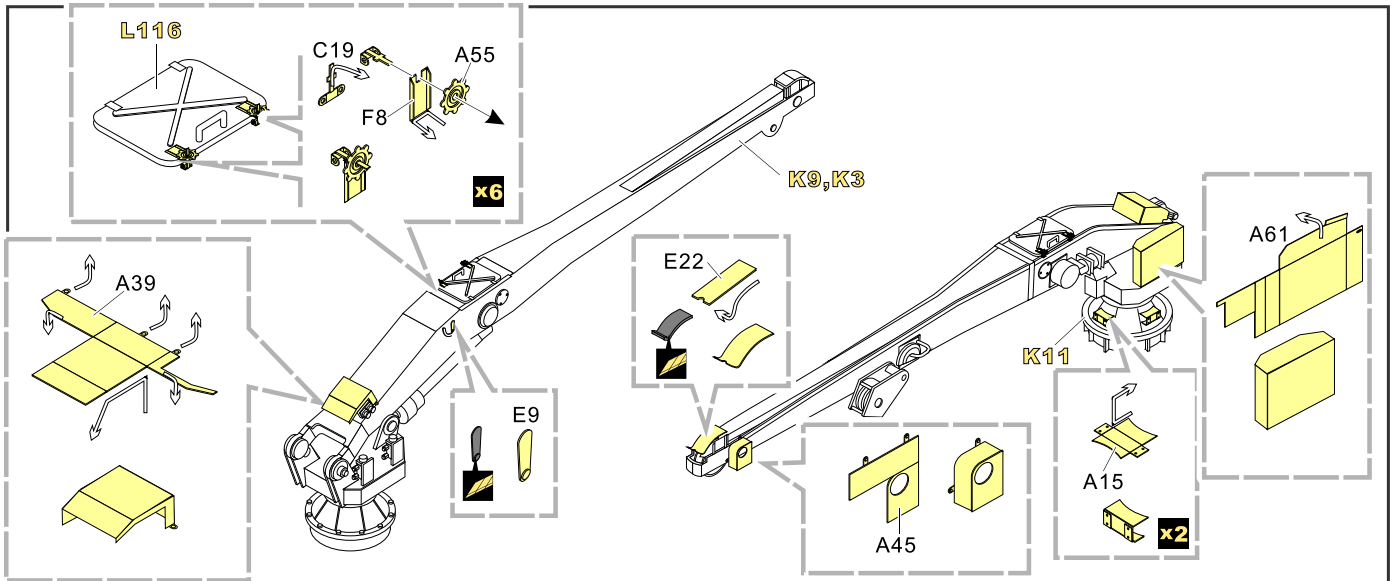
1/35 MILITARY MINIATURE VEHICLE UPGRADE SERIES PE35888

Assembly diagrams for the top of the vehicle chassis. Components shown include B27, B26, L76, L24, E30, L65, L66, F17, and L111. A sub-diagram shows the installation of A53, A52, and E12. A photo shows a 'Typical installation' of a part on a brown surface.

Assembly diagrams for the front suspension and steering mechanism. Components shown include K27, C59 (Scratch build), C8, L75, F17, C27, C26, A71, A70, C12, C5, L121, and L120. Dimensions for the scratch build are given as $\varnothing 1.0$ and $\varnothing 0.5$.

Assembly diagrams for the rear suspension. Components shown include D47 (x4) and J3. A photo shows the installation of D47 on a metal beam.

1/35 MILITARY MINIATURE VEHICLE UPGRADE SERIES PE35888



VOYAGERMODEL 无微不至 极尽享受
The Best Upgrade Solution

Recommended item

BR 35113	Modern Russian 9P113 TEL w/9M21 rocket (Frog 7) Lenses and taillights
PE 35737	Modern Russian Scud-B Basic
PE 35800	Modern Russian 9A52-2 Smerch long-range rocket launcher basic
PE 35732	Modern Russian SS-23 Basic

1/35 MILITARY MINIATURE VEHICLE UPGRADE SERIES PE35888

