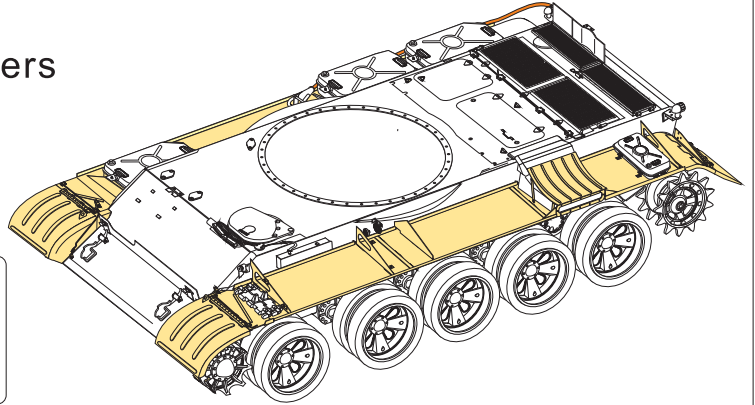


1/35 MILITARY MINIATURE VEHICLE UPGRADE SERIES PE351058

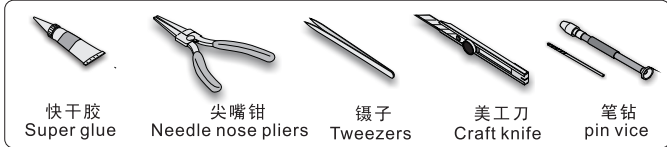
PLA Type59 Main Battle Tank Fenders

中国59式主战坦克翼子板改造件

[For HOBBYBOSS 84539]

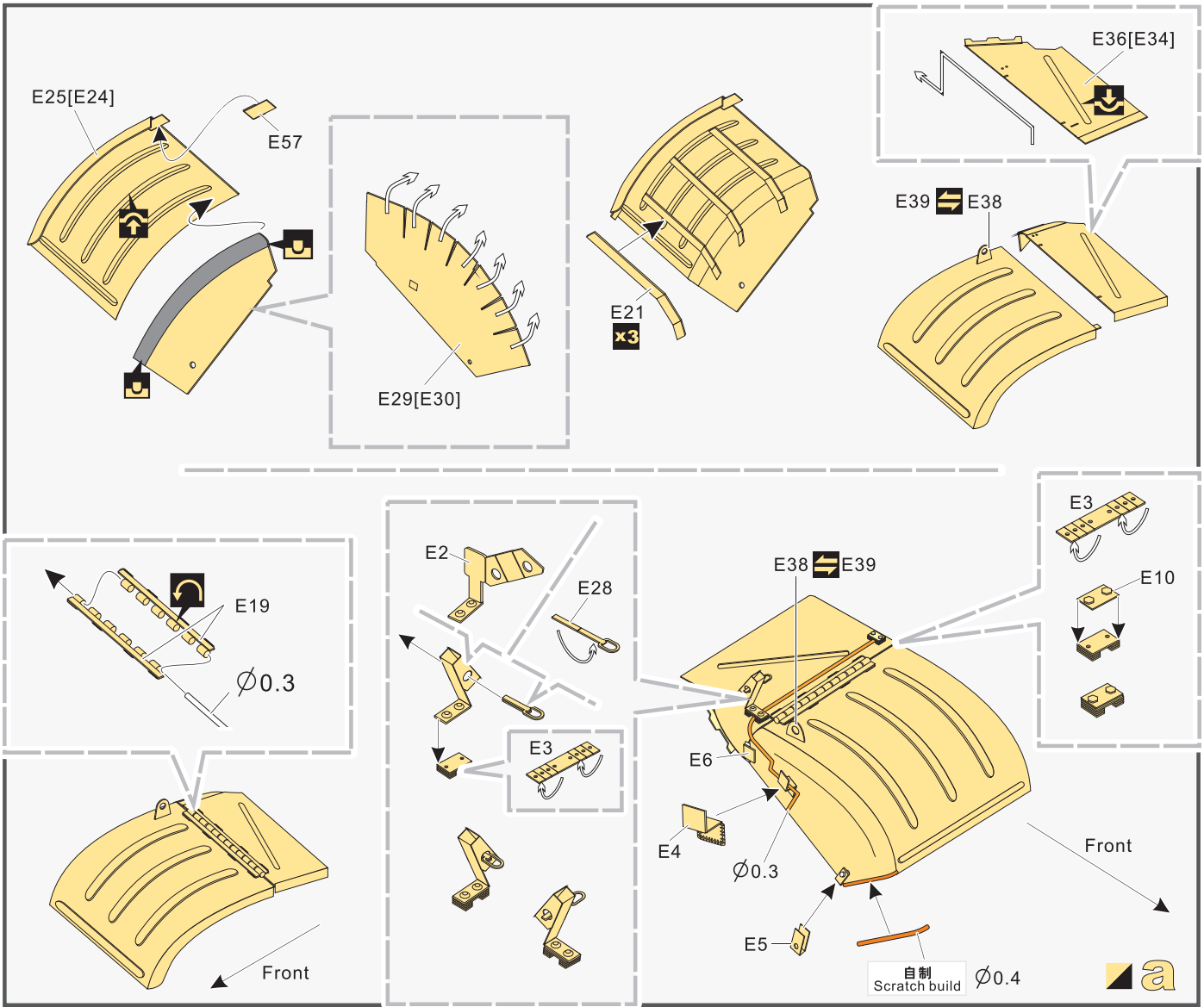


推荐使用工具 RECOMMENDED TOOLS

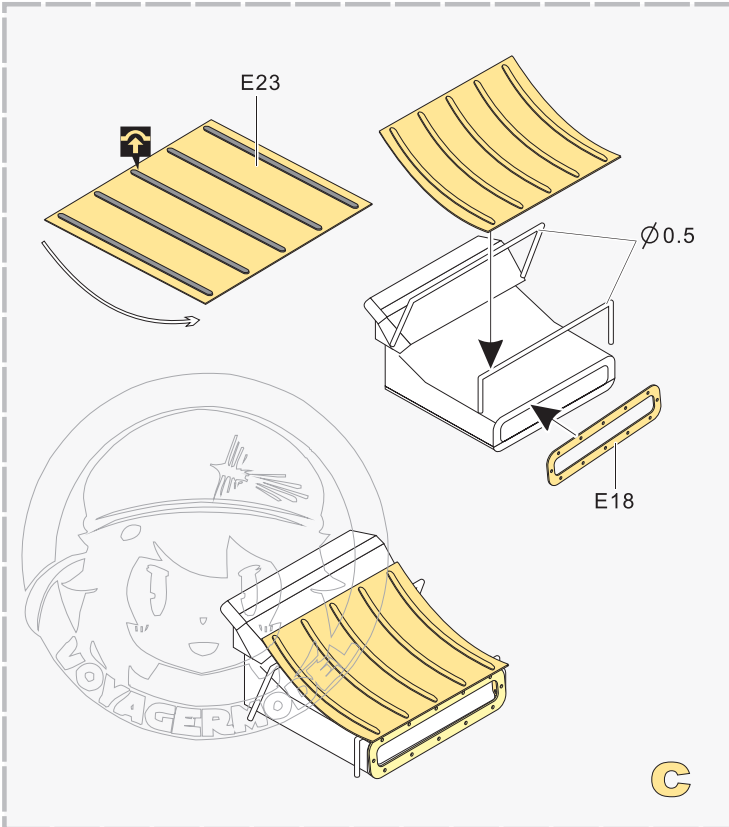
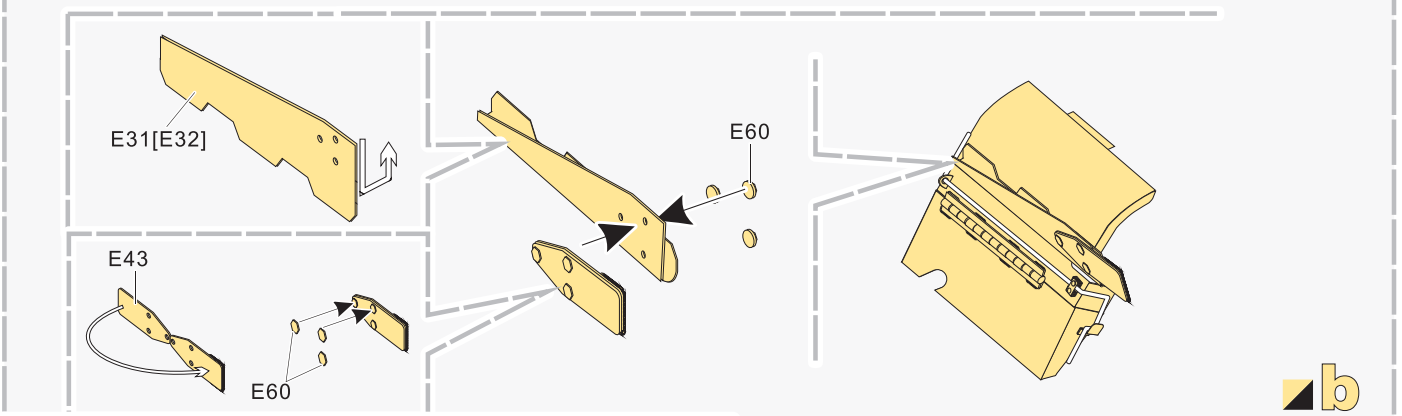
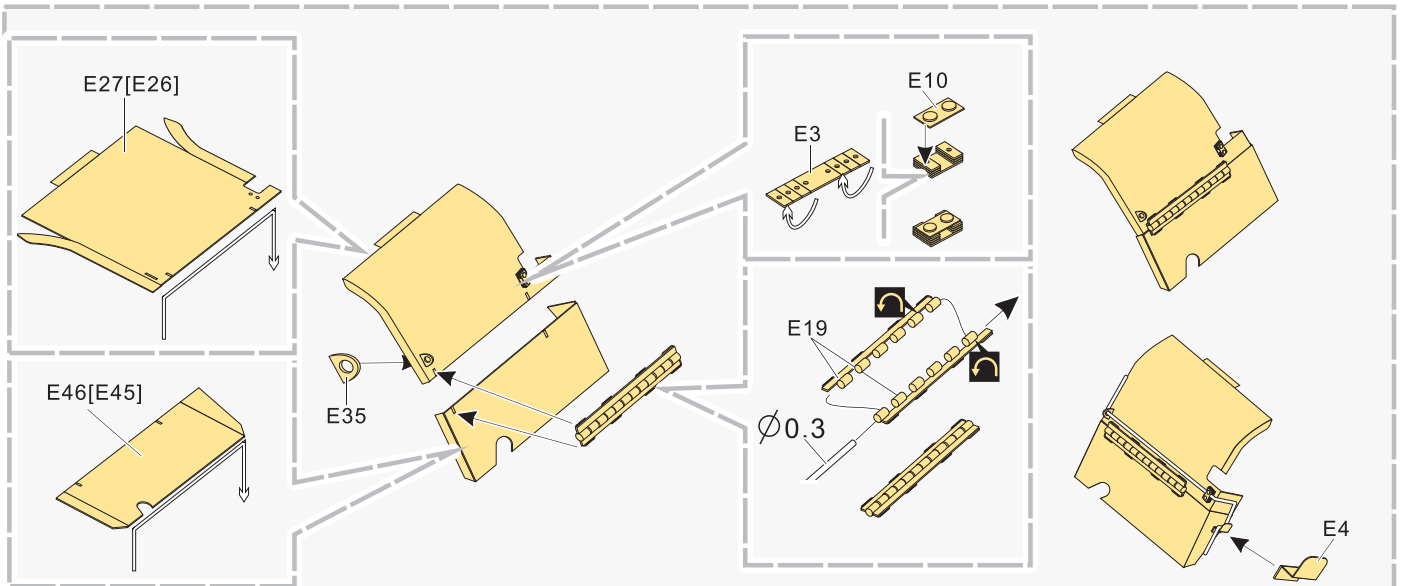


		A1	B12	C22
安装 install	折叠 bend	改造件零件编号 PE/resin part number	原零件编号 kit part number	被替换的原零件编号 replaced kit part number
		x2		
切除 remove	弧度卷曲 radial bending	制作若干组 multiple assembly	选择安装 alternative	另一侧相同制作 repeat on opposite side
				填补 fill

制作线圈 make coil	用尖端在凹槽处冲压 use penpoint to press on the dent
	蚀刻片零件内面朝上 Put the part upside down
	用笔尖在凹槽处刷 Use penpoint to press on the dent



1/35 MILITARY MINIATURE VEHICLE UPGRADE SERIES PE351058



[Http://www.voyagermodel.com/
productdetails.asp?itemid=PE351058](http://www.voyagermodel.com/productdetails.asp?itemid=PE351058)

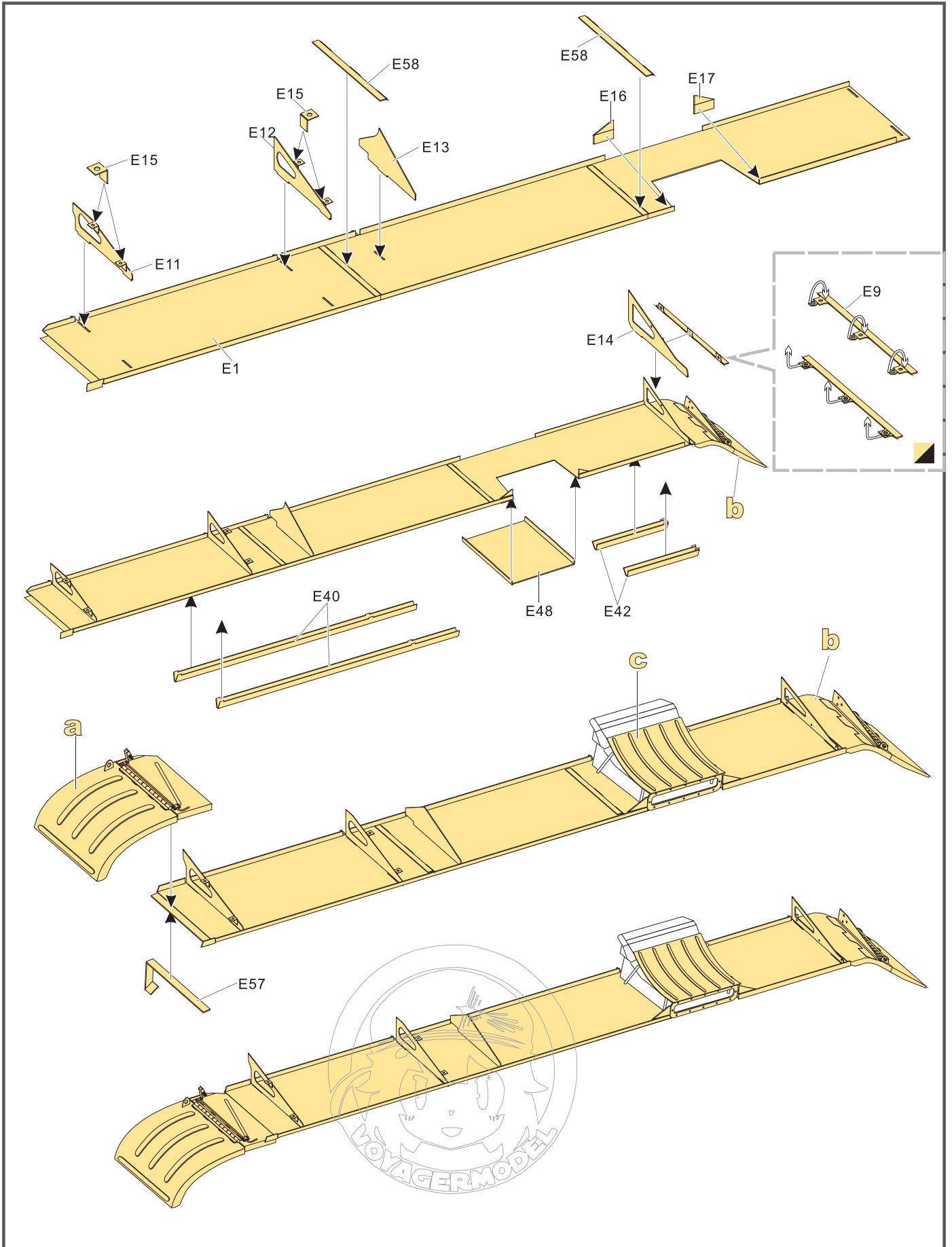


**VOYAGER
MODEL**



更多PE351058样品照片参考请扫一扫
MORE PICTUER OF PE 351058
REFERENCE SCAN HERE

1/35 MILITARY MINIATURE VEHICLE UPGRADE SERIES PE351058



1/35 MILITARY MINIATURE VEHICLE UPGRADE SERIES PE351058

