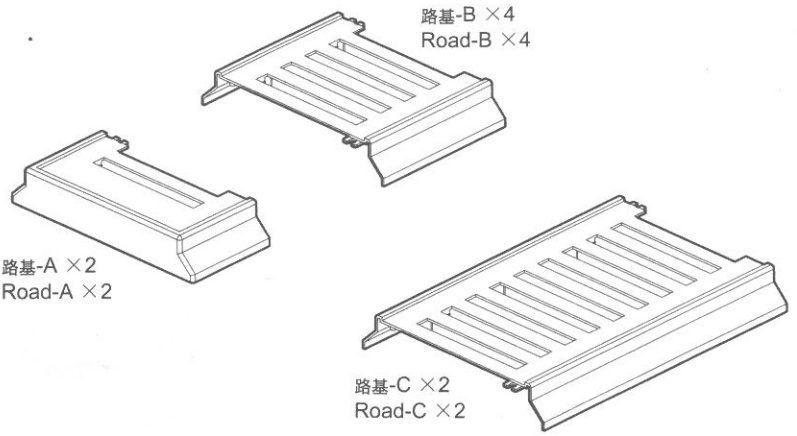
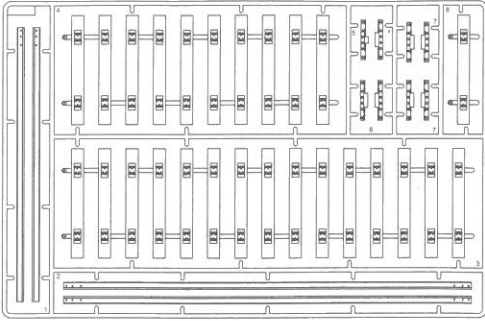


部品图 Parts

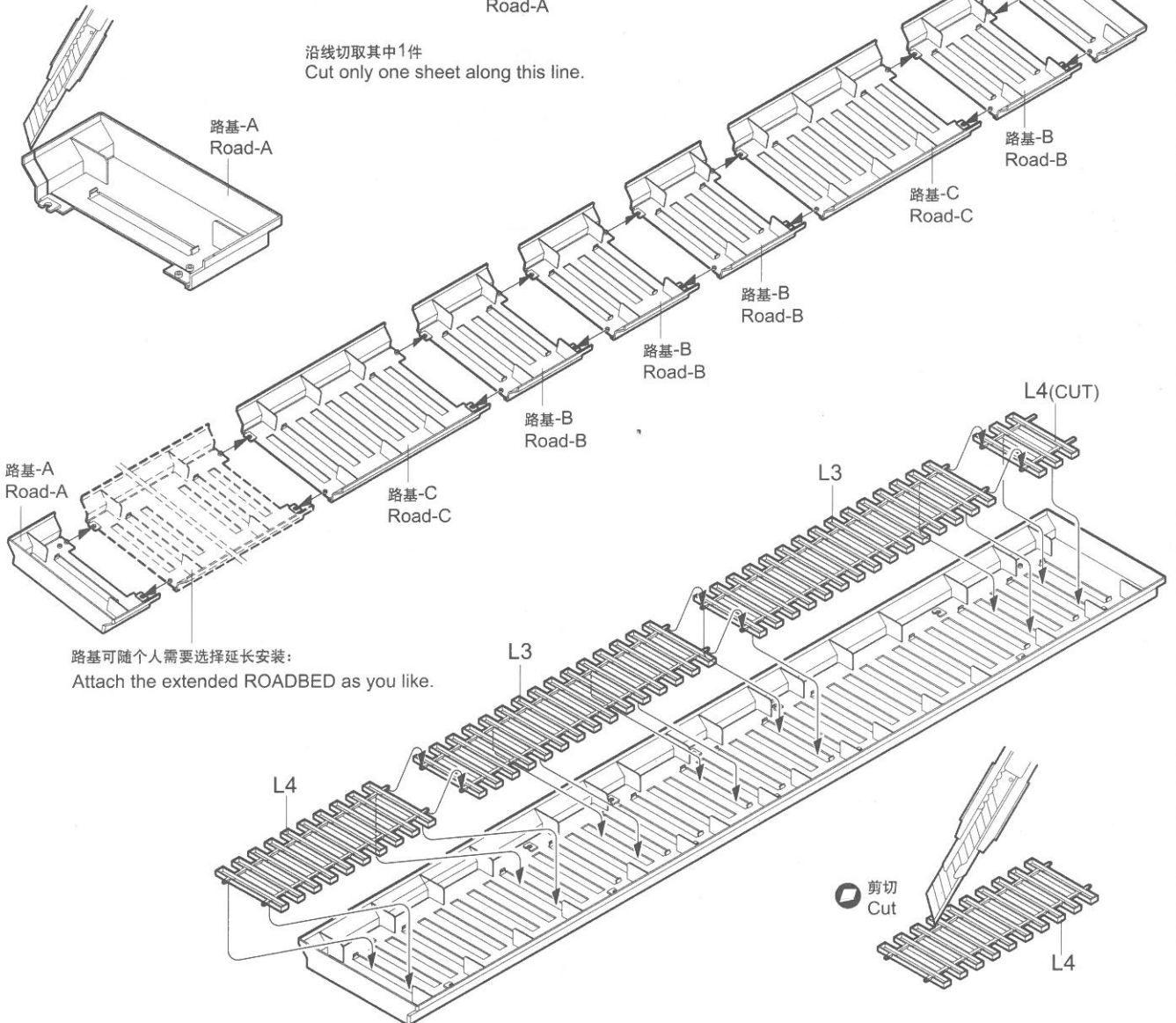
L × 2



1 枕木安装 Attaching cross-tie



沿线切取其中1件
Cut only one sheet along this line.



路基可随个人需要选择延长安装：
Attach the extended ROADBED as you like.

2

铁轨安装
Attaching rail

