

 KITTY
HAWK

1:48

SEPECAT

Jaguar T.2/T.4

1:48 美洲虎雙座教練機



Instruction

ITEM NO.:KH80105

READ BEFORE ASSEMBLY

在組合您的模型之前，請充分閱讀本冊說明書。組合模型您需要如下物品（需另購）：模型膠水；一把模型鉗或一把用于將零件從框架上切下的模型筆刀。筆刀同樣可以用來修整零件的合模綫。祝您制作愉快！

Before assembling your model kit, read through these instructions carefully. To assemble this kit, you will need Plastic glue (not include). A pair of side cutter or a sharp modelling knife is required for removing parts from the frame. Plastic mould lines can be removed with the modelling knife.



塗色
Painting



對側
Opposite



隨愛好選擇
Optional

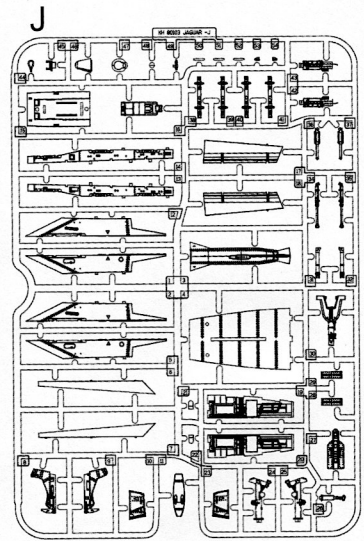
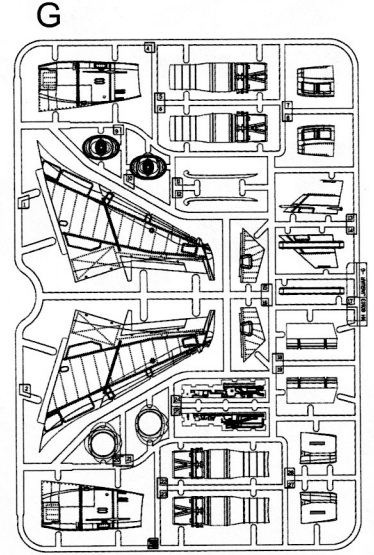
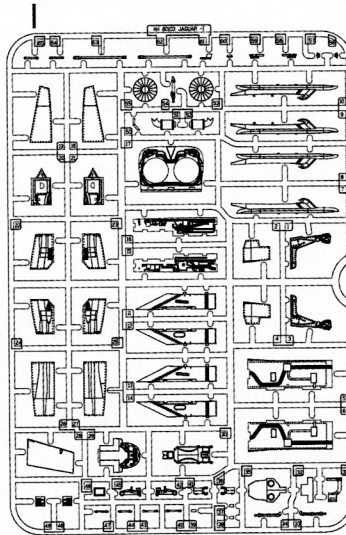
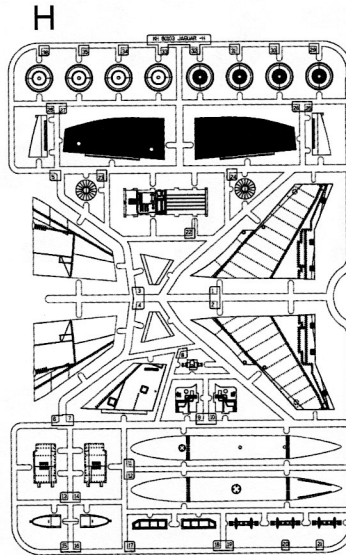
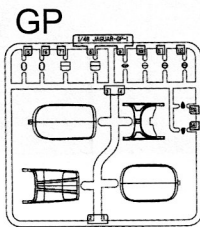
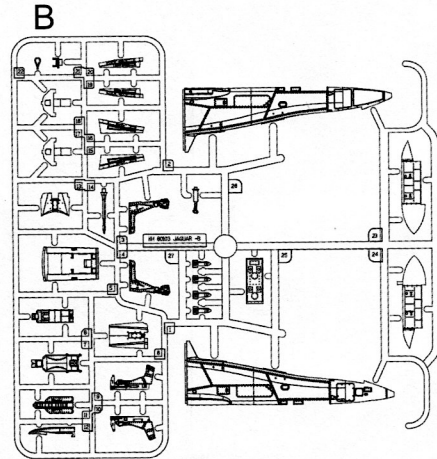
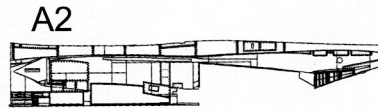
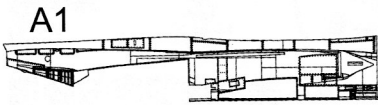


鉗孔
Make Hole

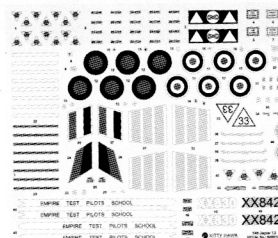


制作兩組
Make Two

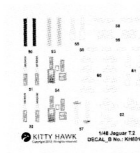
部品圖 Parts



Decal A 水貼紙A



Decal B 水貼紙B

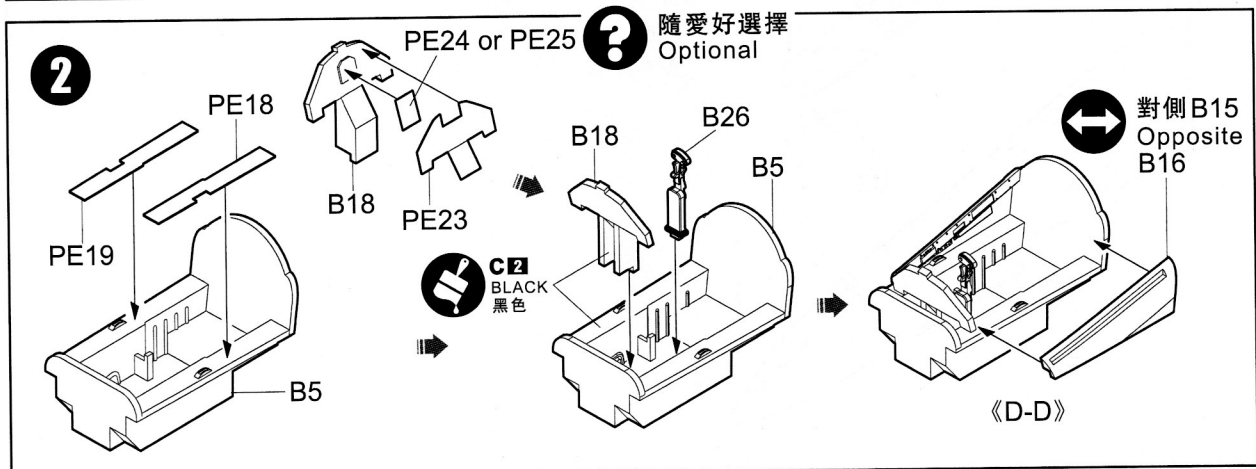
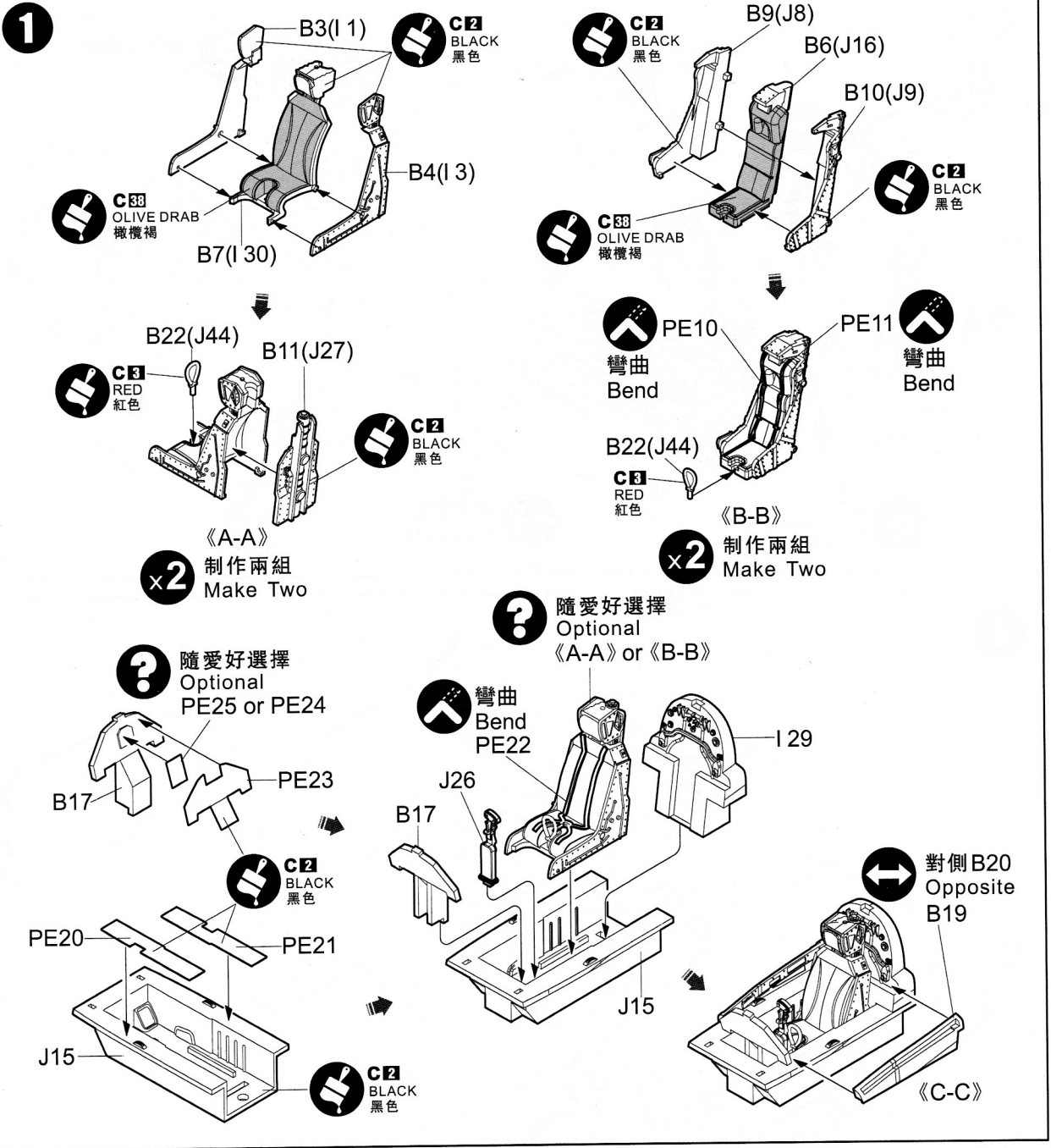


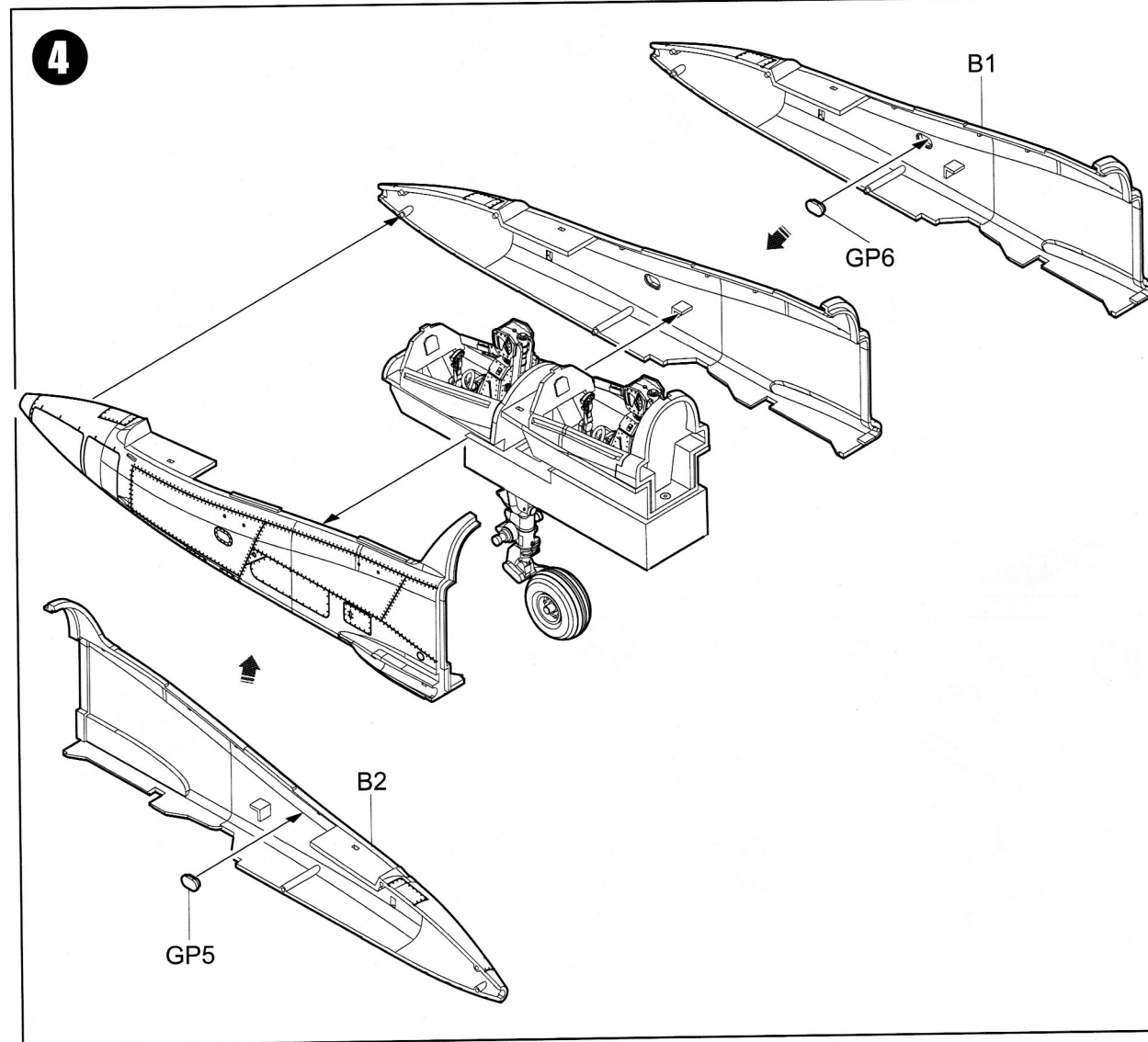
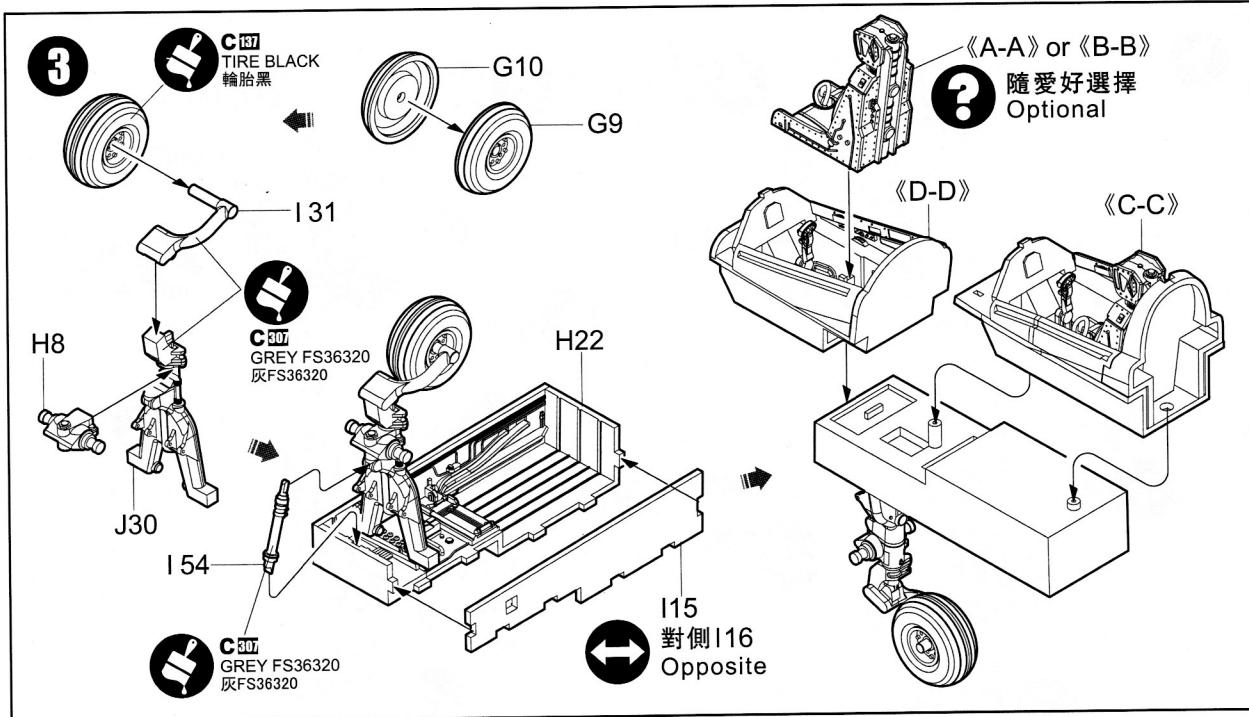
蝕刻片PE



1.
2.
3.
4.

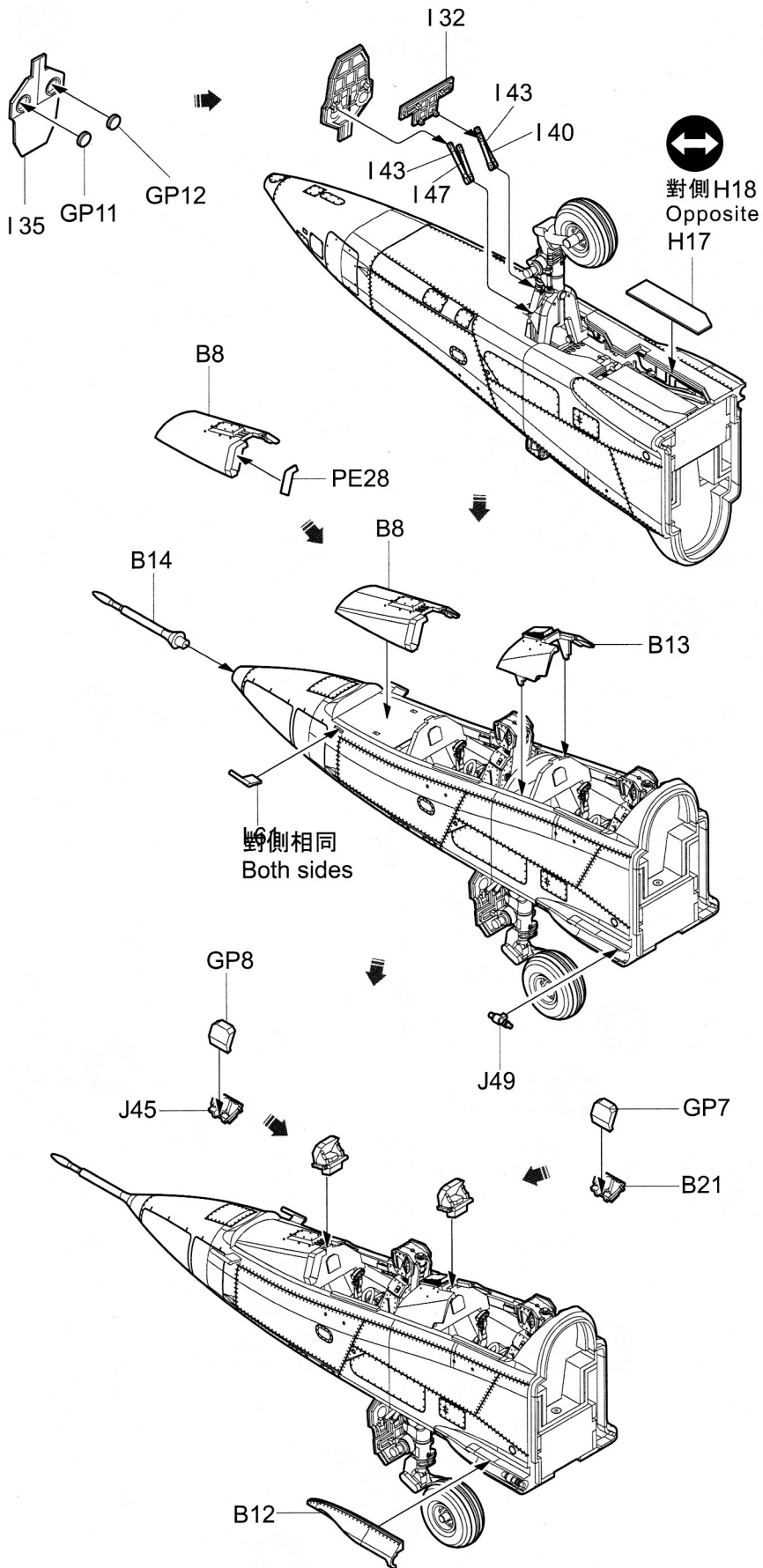
C



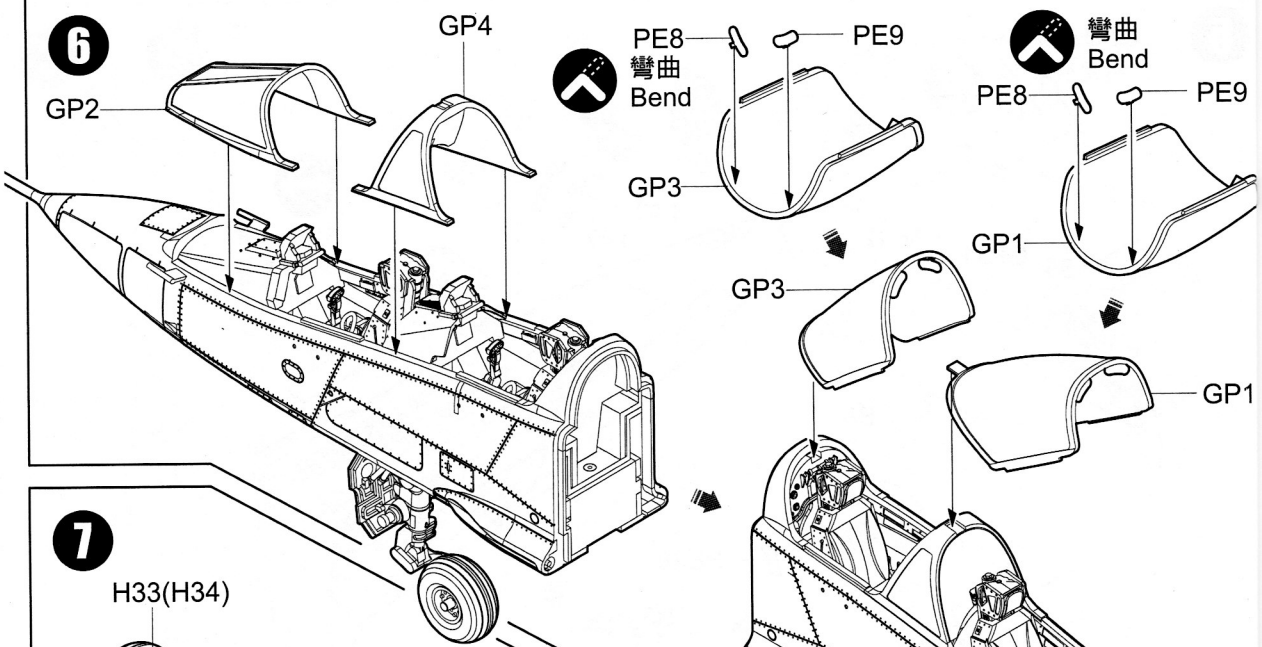


1.
2.
3.
4.

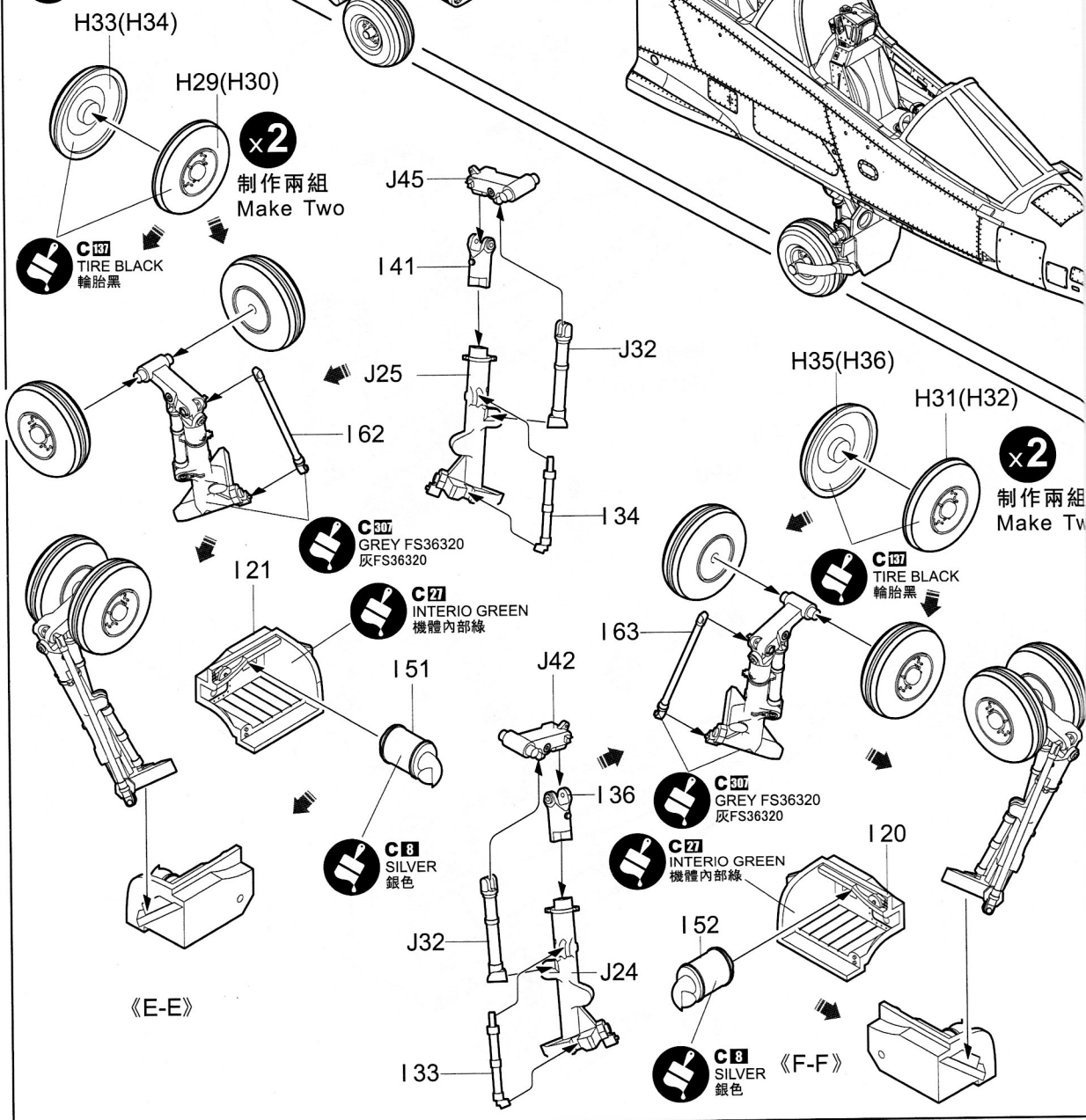
5



6



7

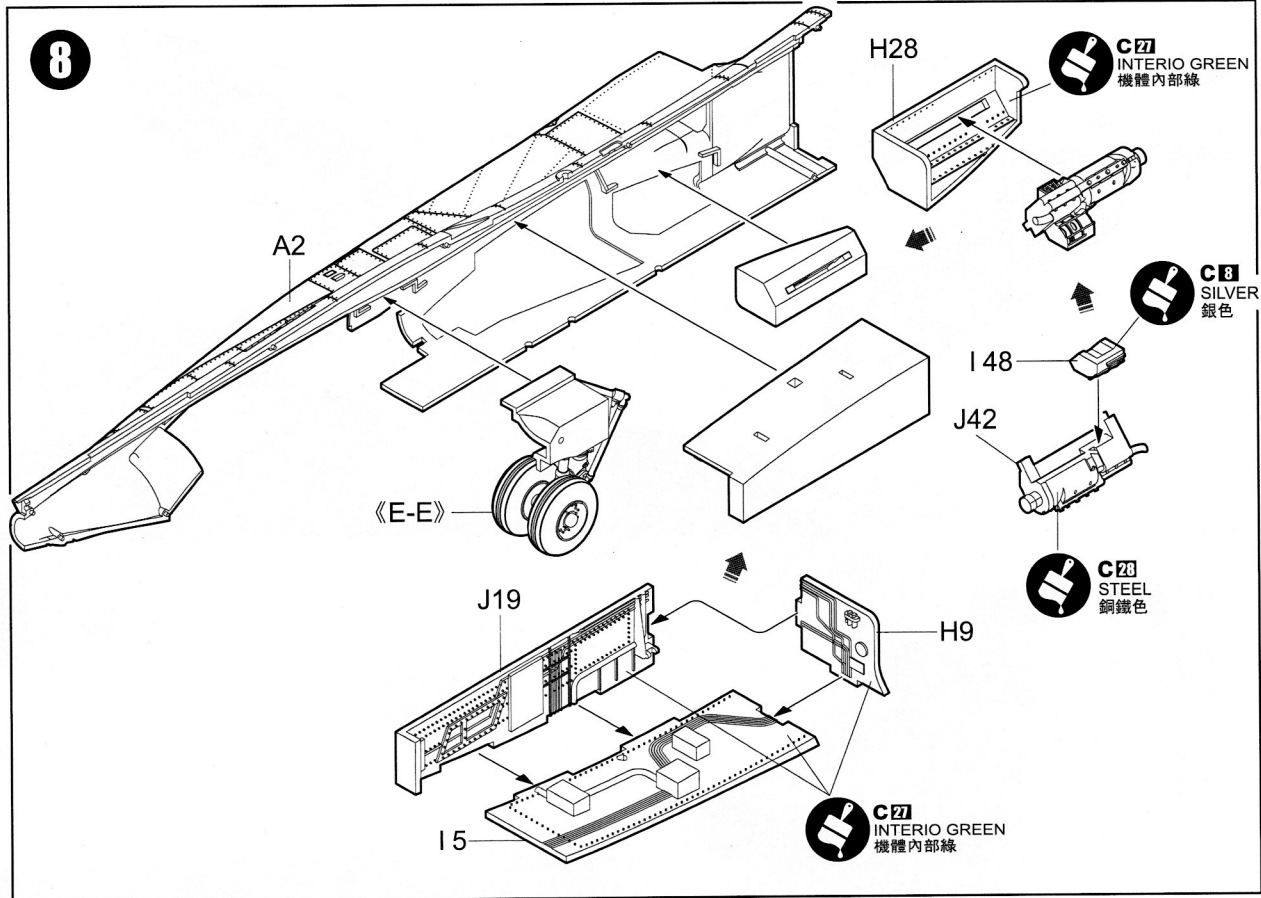


- 1.
- 2.
- 3.
- 4.

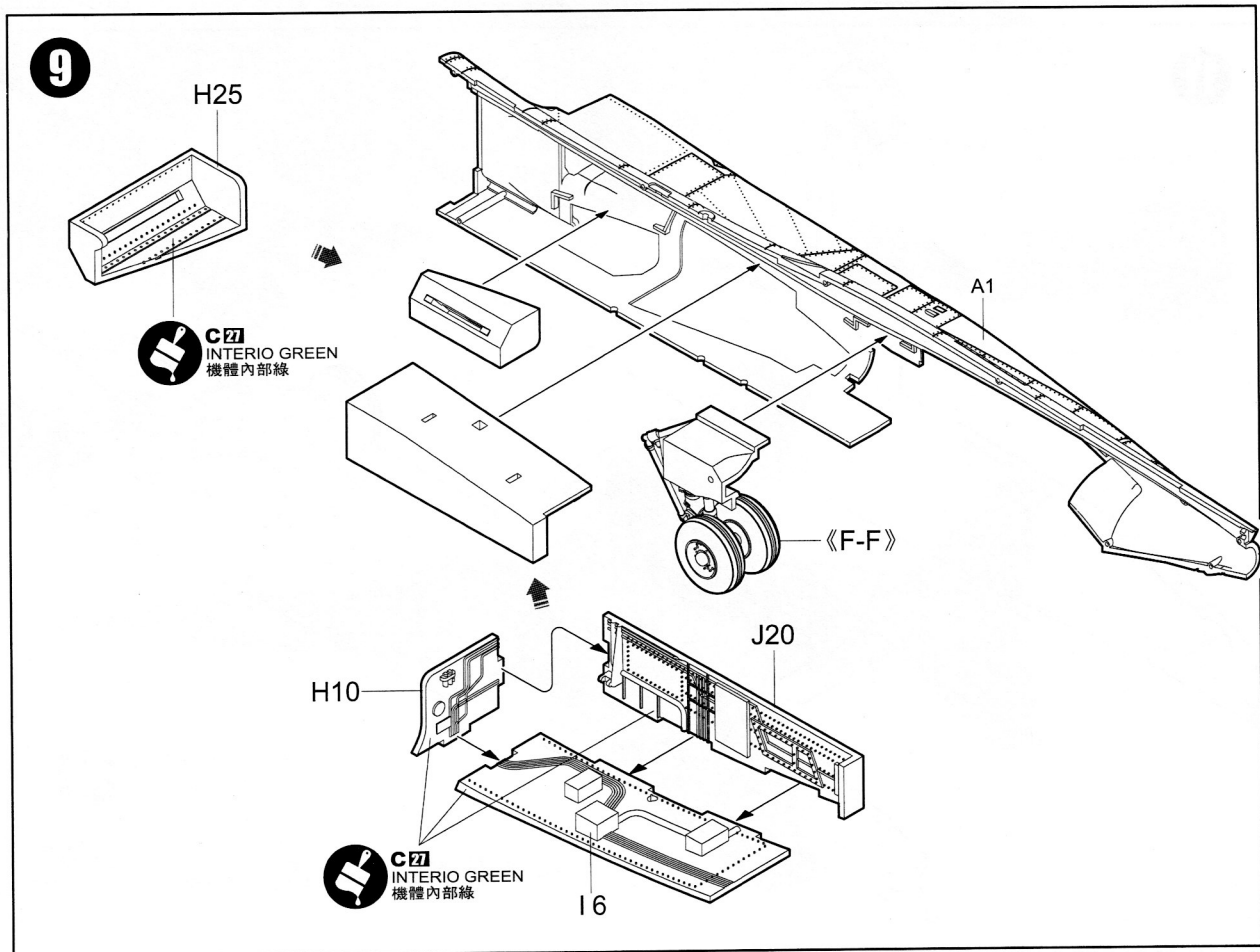


Co

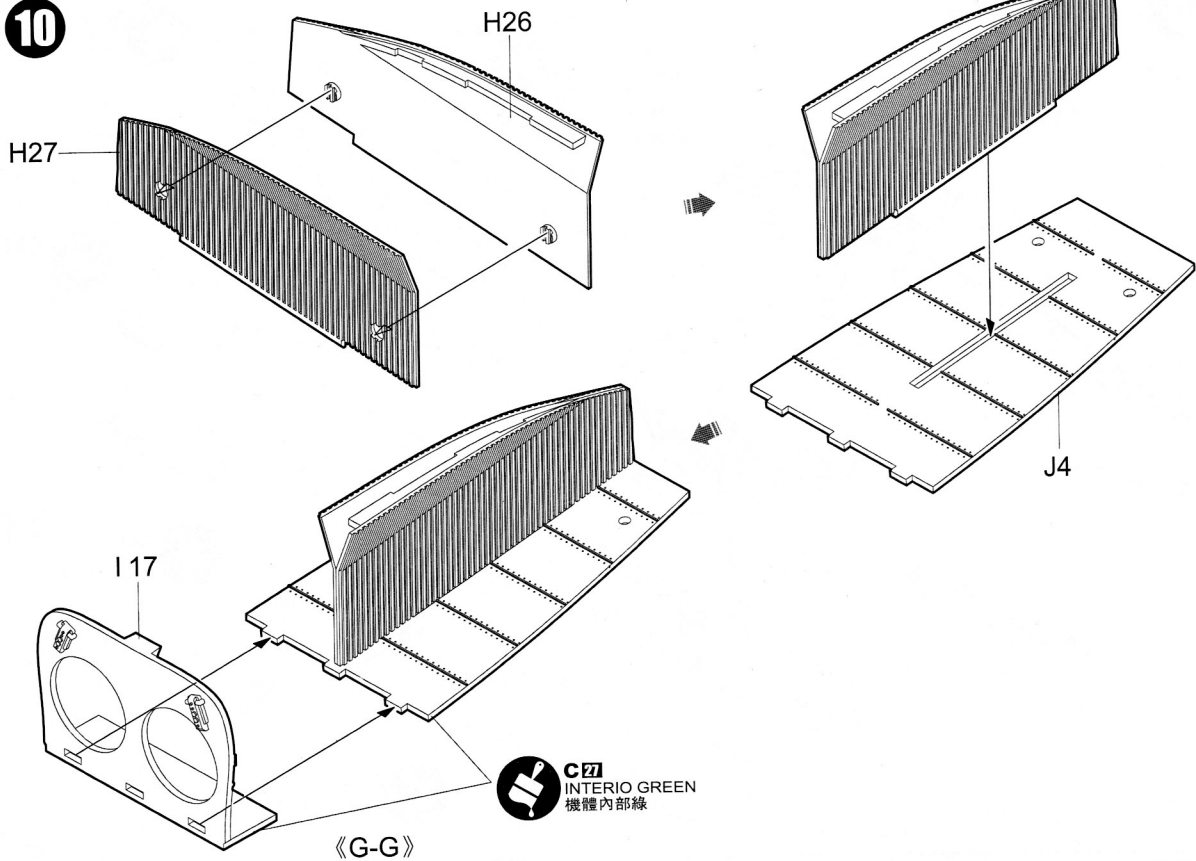
8



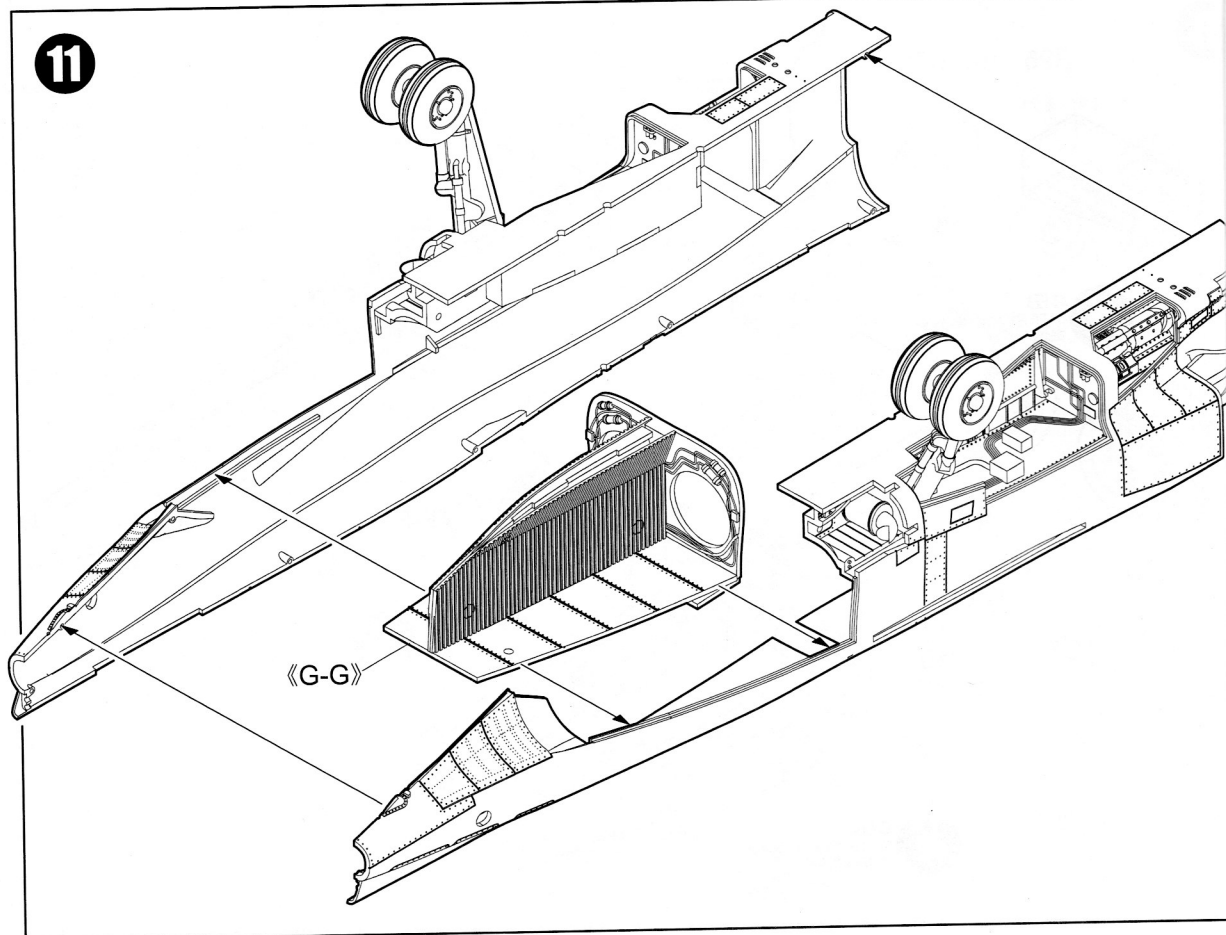
9



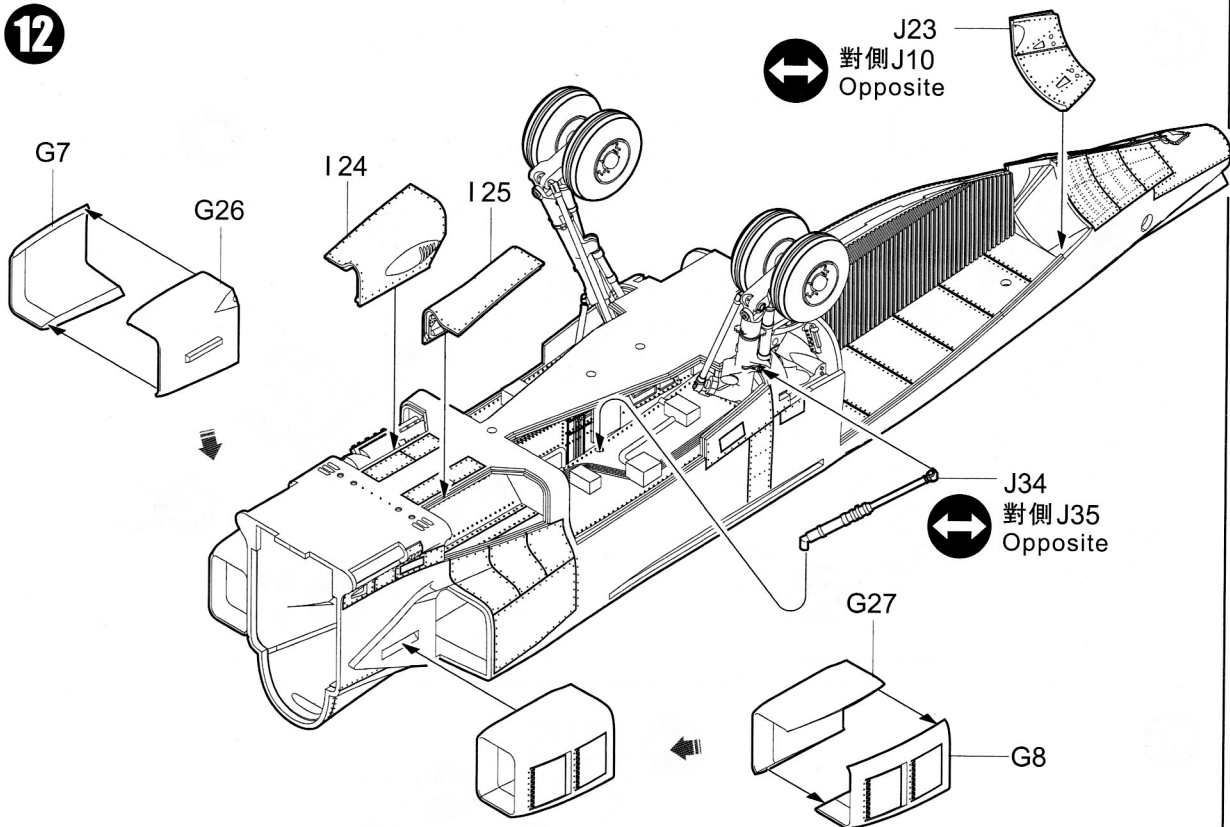
10



11



12

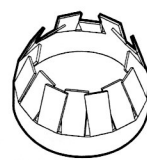
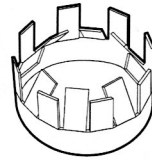
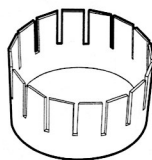


13

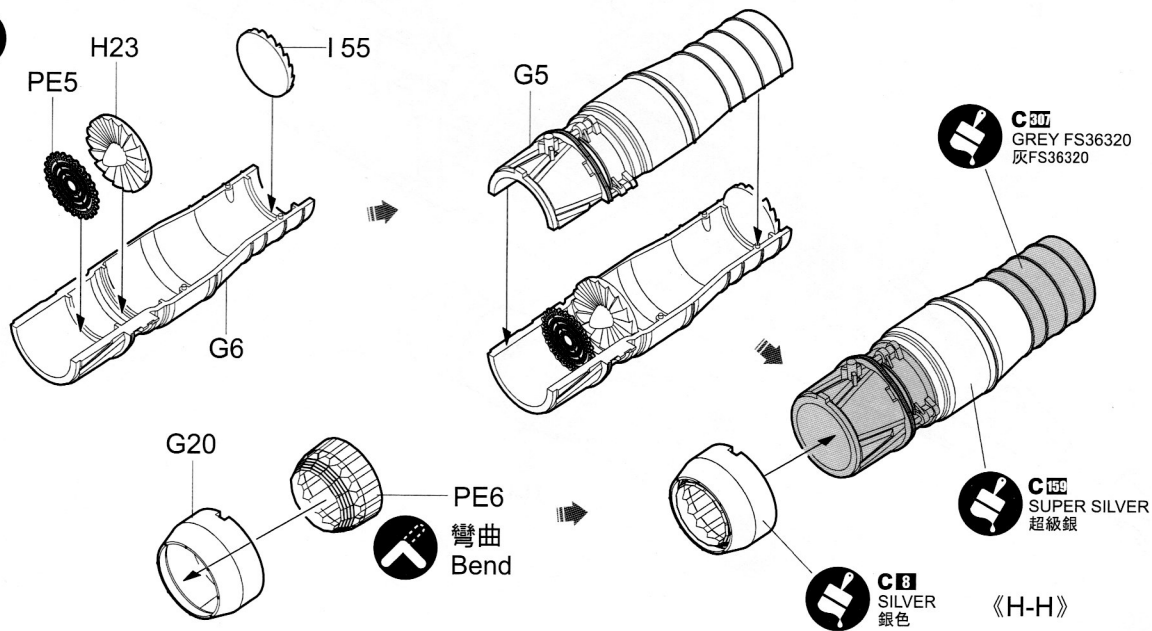
PE6(PE7)



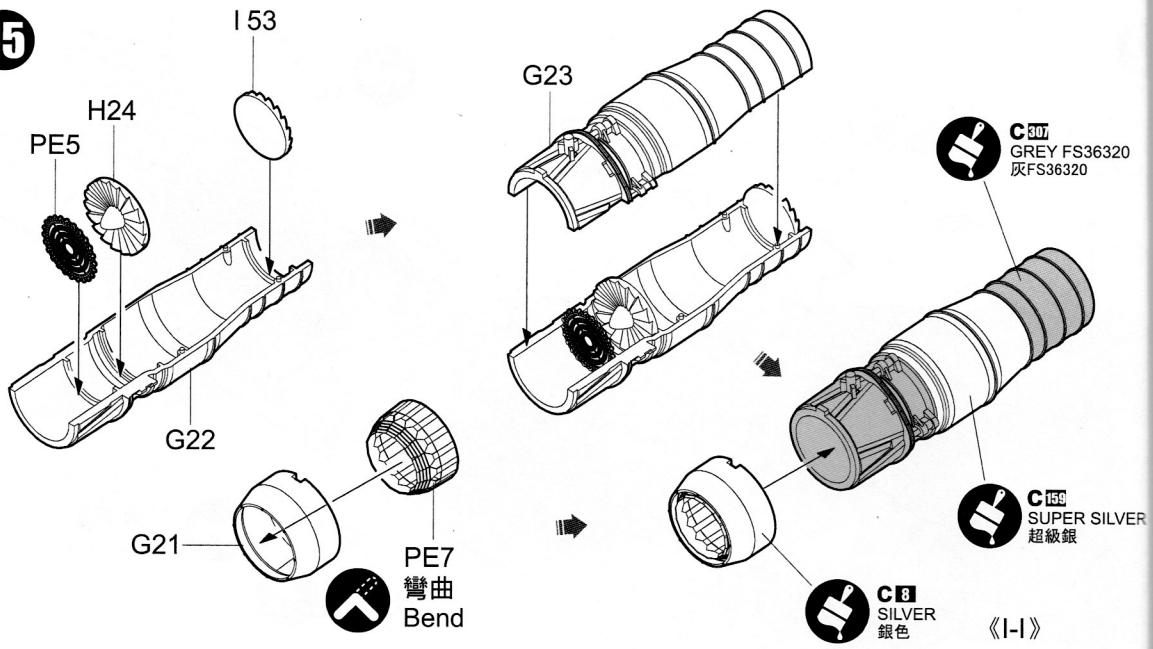
彎曲 Bend



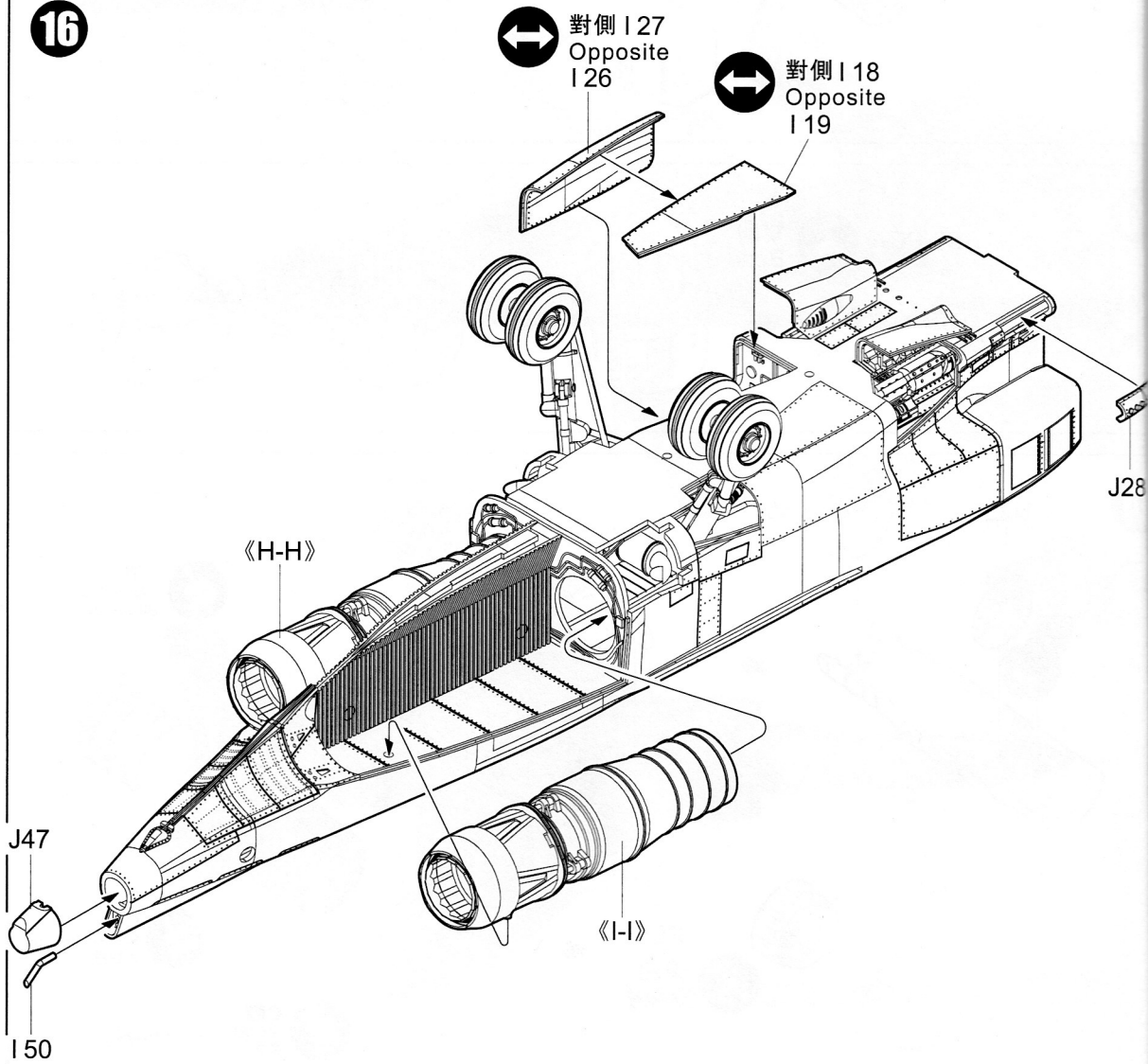
14



15



16



- 1.
- 2.
- 3.
- 4.

Co

17

對側 I 4
Opposite I 2

對側 I 65
Opposite I 64

I 39

J 3

J 14

H 21

H 20

H 19

J 13

J 13

I 46

J 52

J 50

J 51

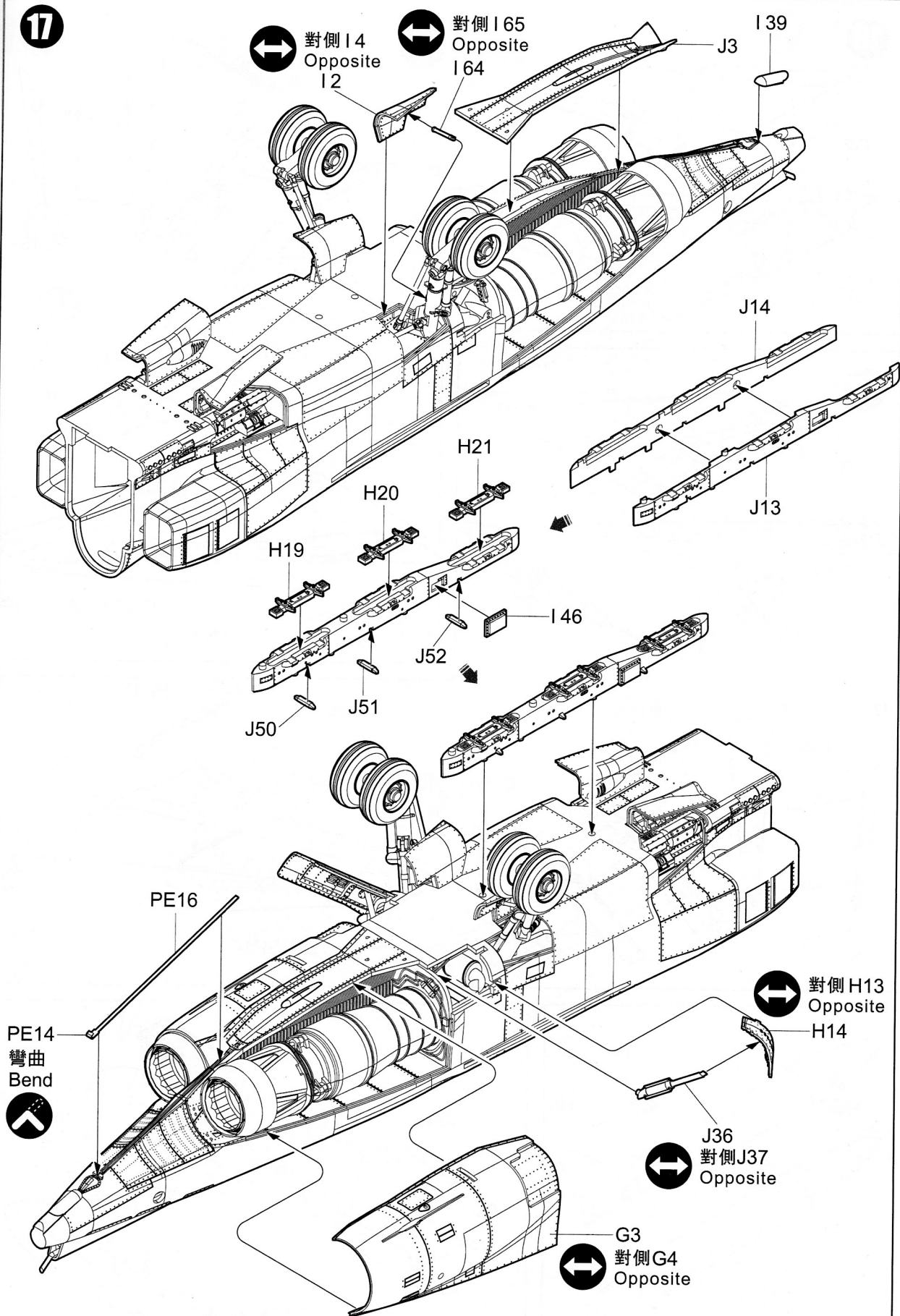
PE 16

PE 14
彎曲
Bend

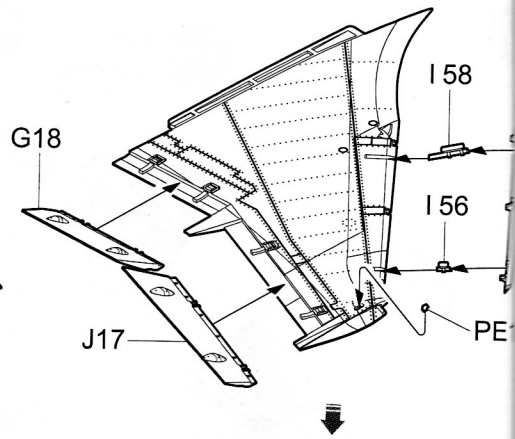
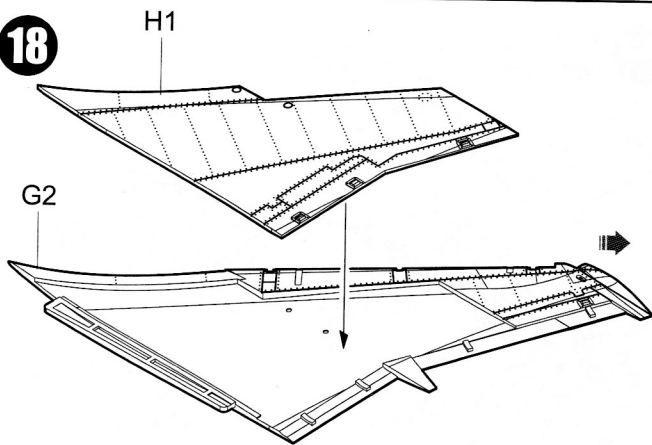
對側 H 13
Opposite H 14

J 36
對側 J 37
Opposite

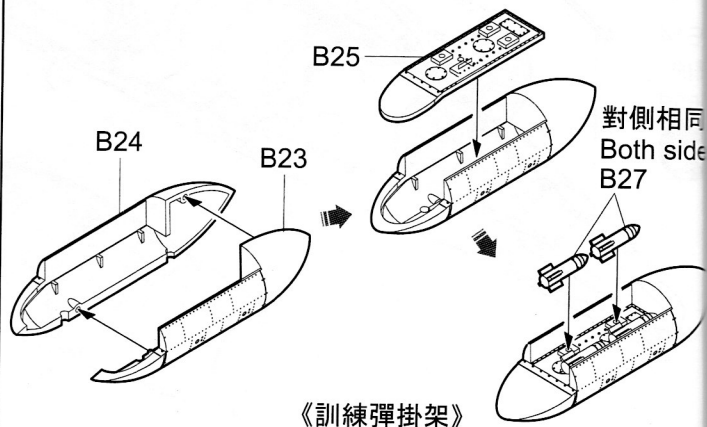
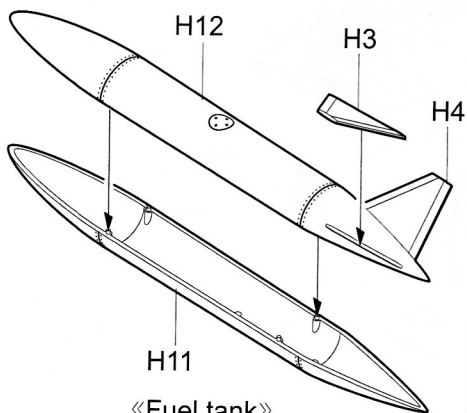
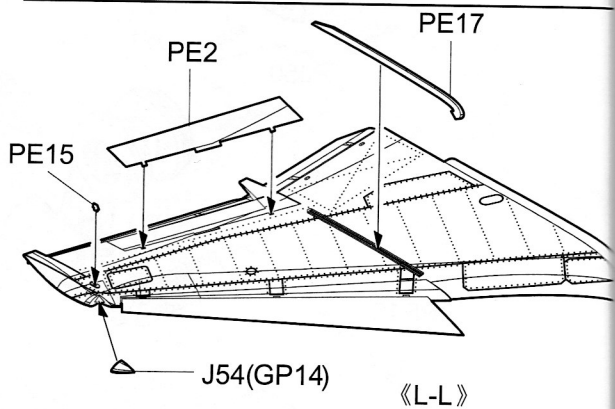
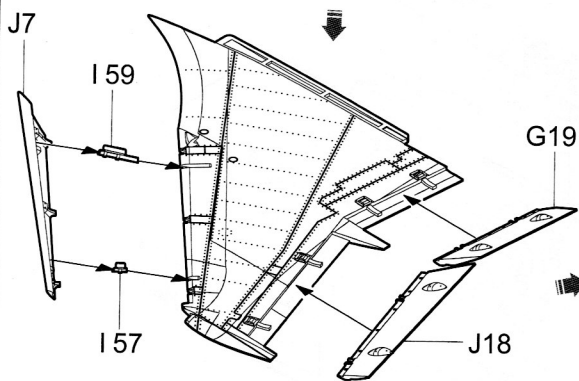
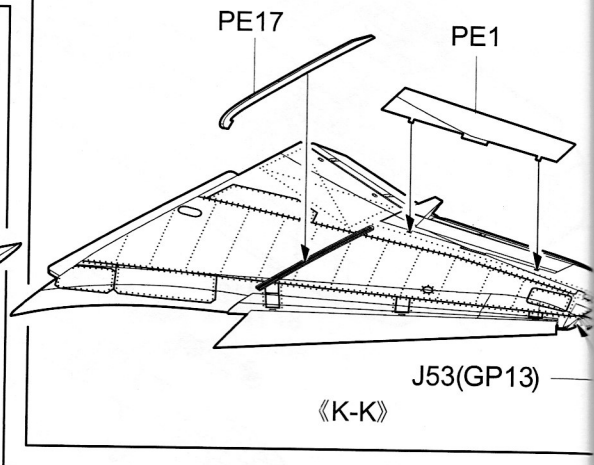
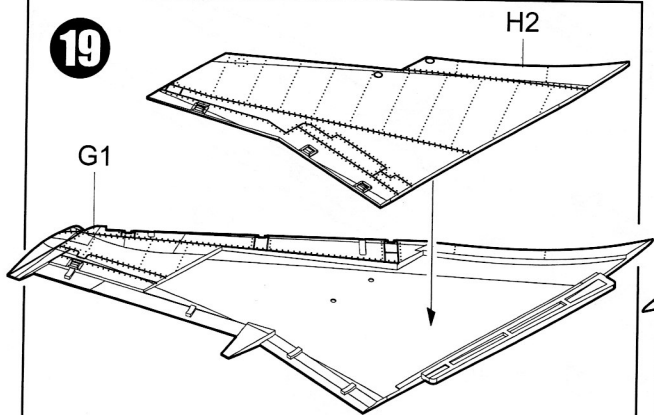
G 3
對側 G 4
Opposite



18



19

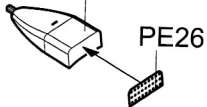


1.
2.
3.
4.

Cc

20

H15(H16)



Use by UK version only.

x2

制作兩組
Make Two



隨愛好選擇
Optional
對側相同
Both sides



對側 I 38
Opposite
I 37



隨愛好選擇
Optional

《Fuel tank》

I 60(GP9)

《訓練彈掛架》

PE27



對側 G15
Opposite
G16



《K-K》
對側《L-L》
Opposite



H6
對側 H5
Opposite

PE12

PE12

PE13

GP10



對側 J22
Opposite
J20

J11

《M-M》



對側 PE4
Opposite
PE3

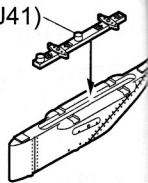
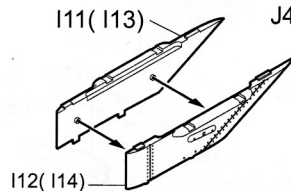
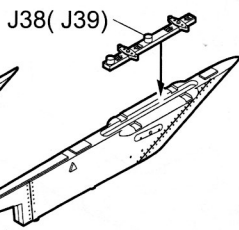
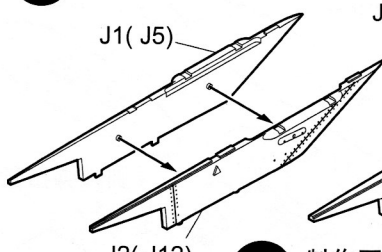
G13

I 28

H7

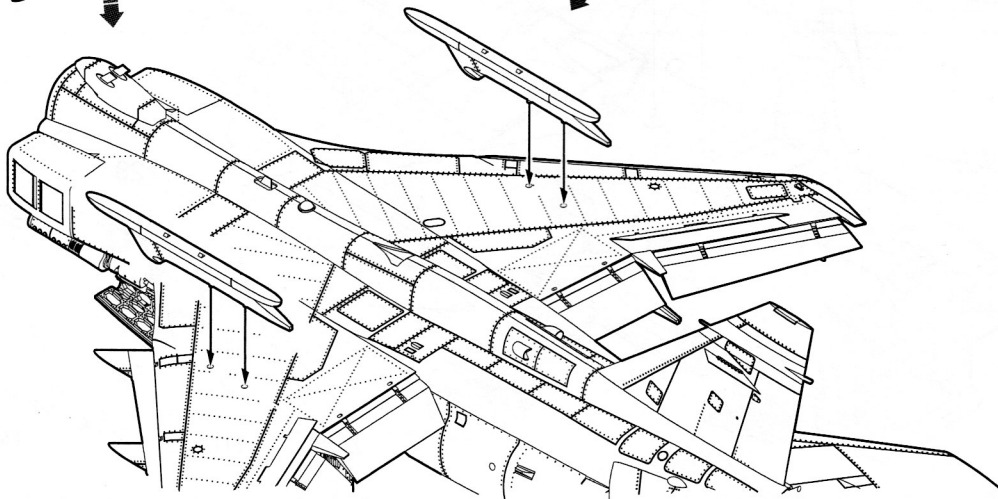
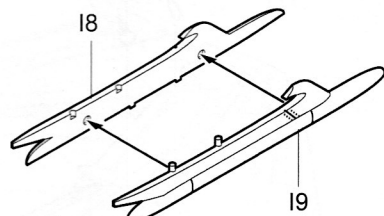
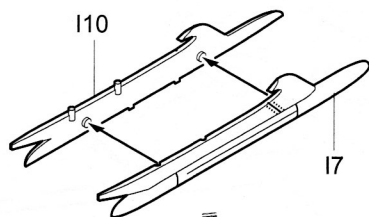
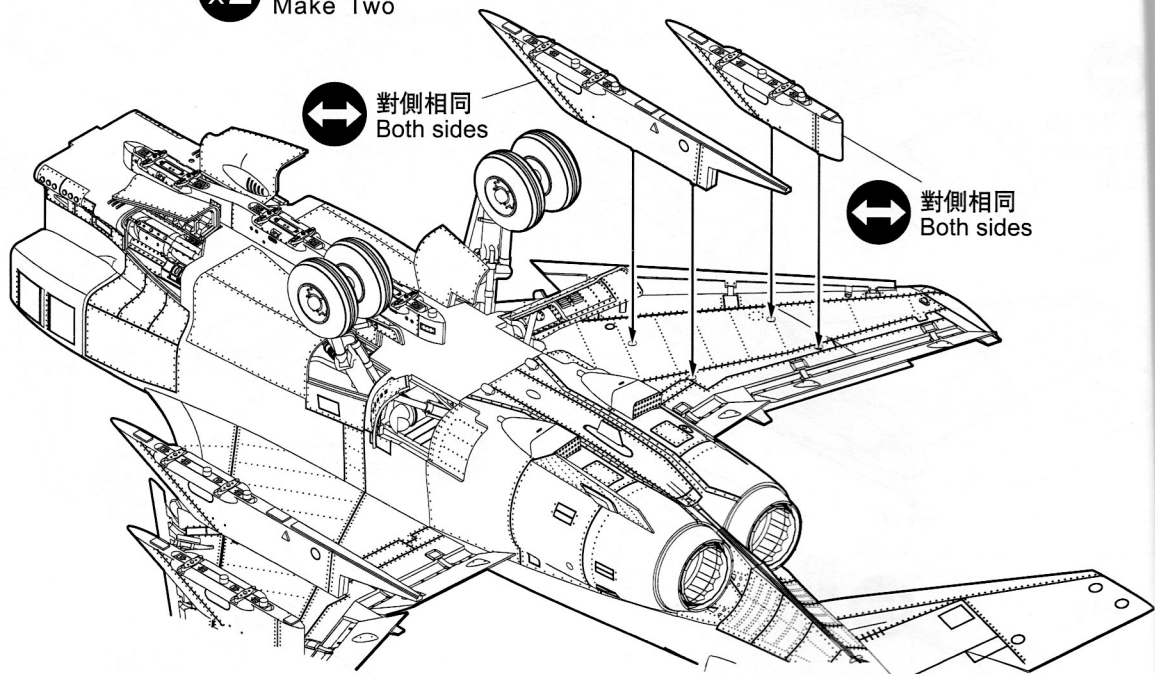
《M-M》

21

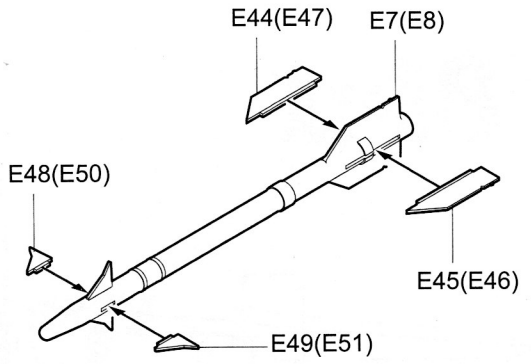
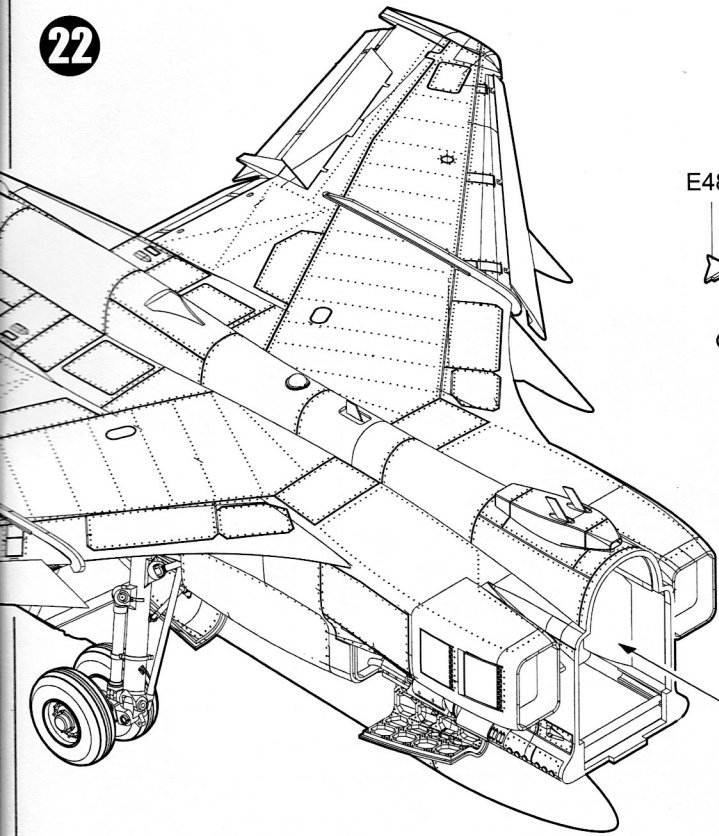


x2 制作兩組
Make Two

x2 制作兩組
Make Two



22

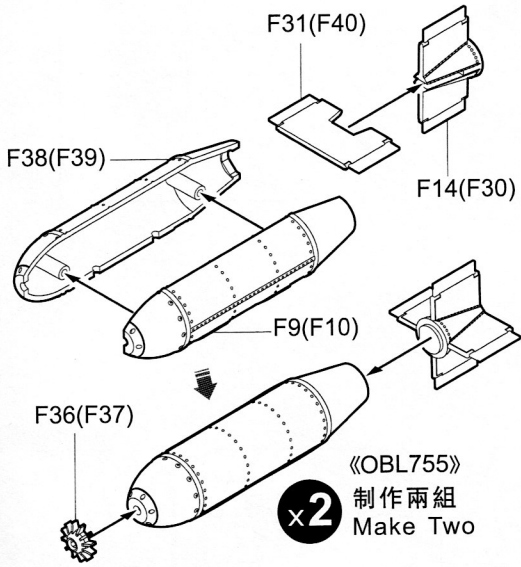
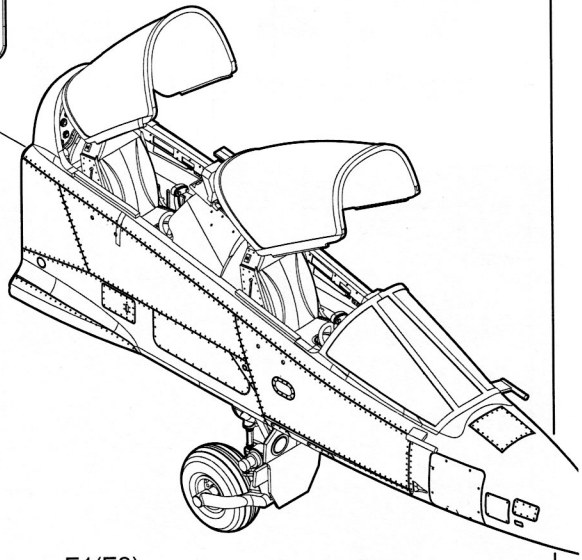


《AIM-9M》

制作兩組

Make Two

x2

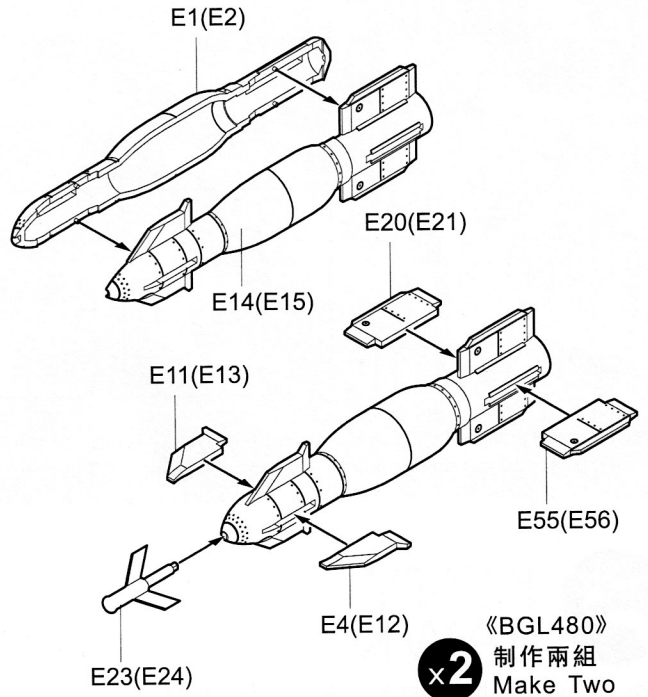


《OBL755》

制作兩組

Make Two

x2

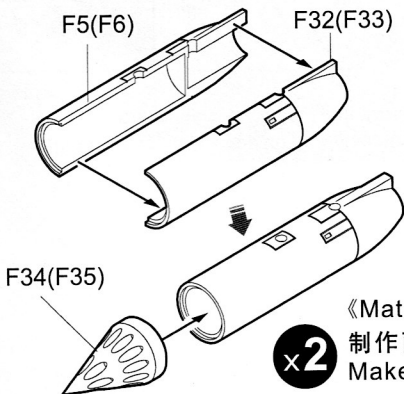


《BGL480》

制作兩組

Make Two

x2

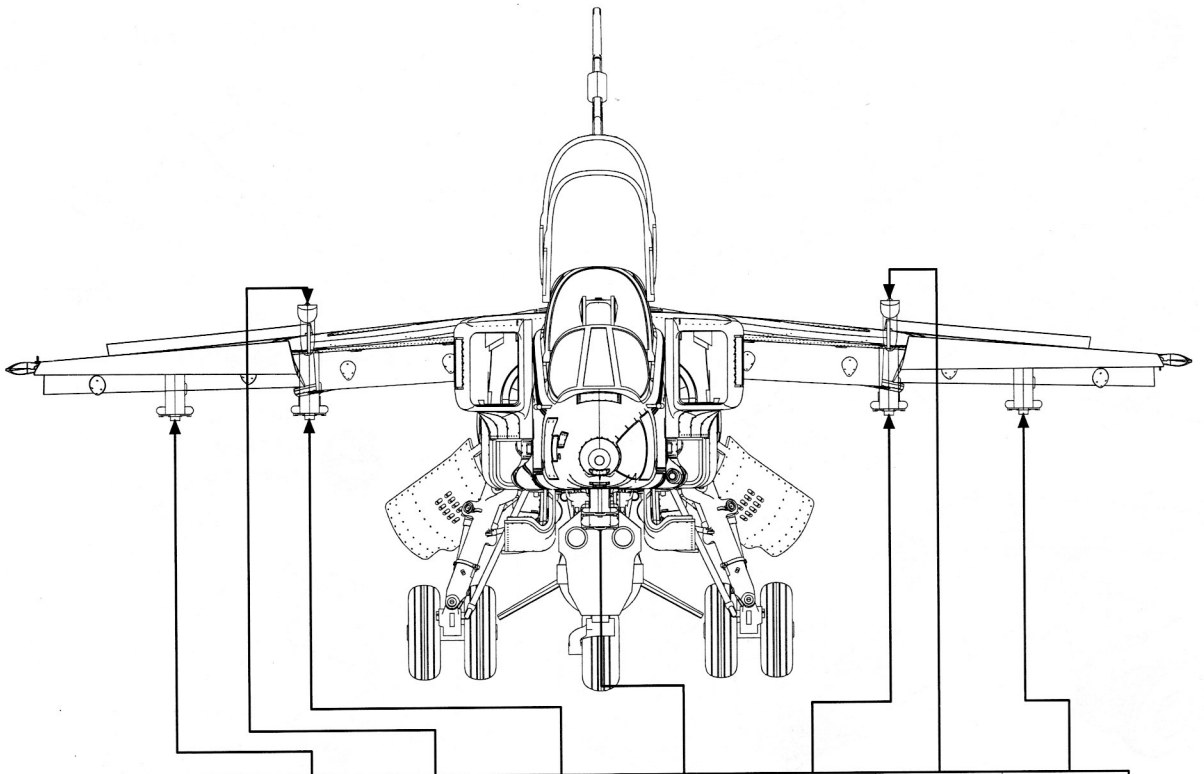


《Matra 155》

制作兩組

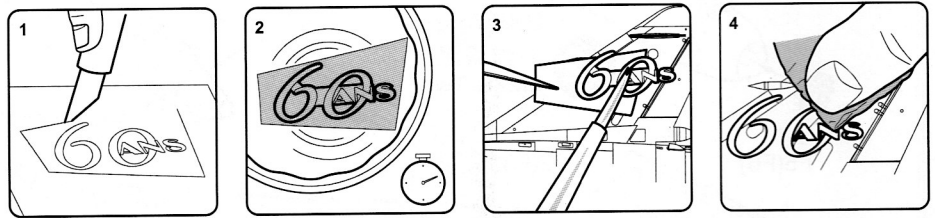
Make Two

x2



Sta.No.	1	2	3	4	5	6	7
《Fuel tank》				●			
《Matra155》	●						●
《OBL755》	●						●
《BGL480》			●		●		
《AIM-9M》		●				●	

DECAL APPLICATION



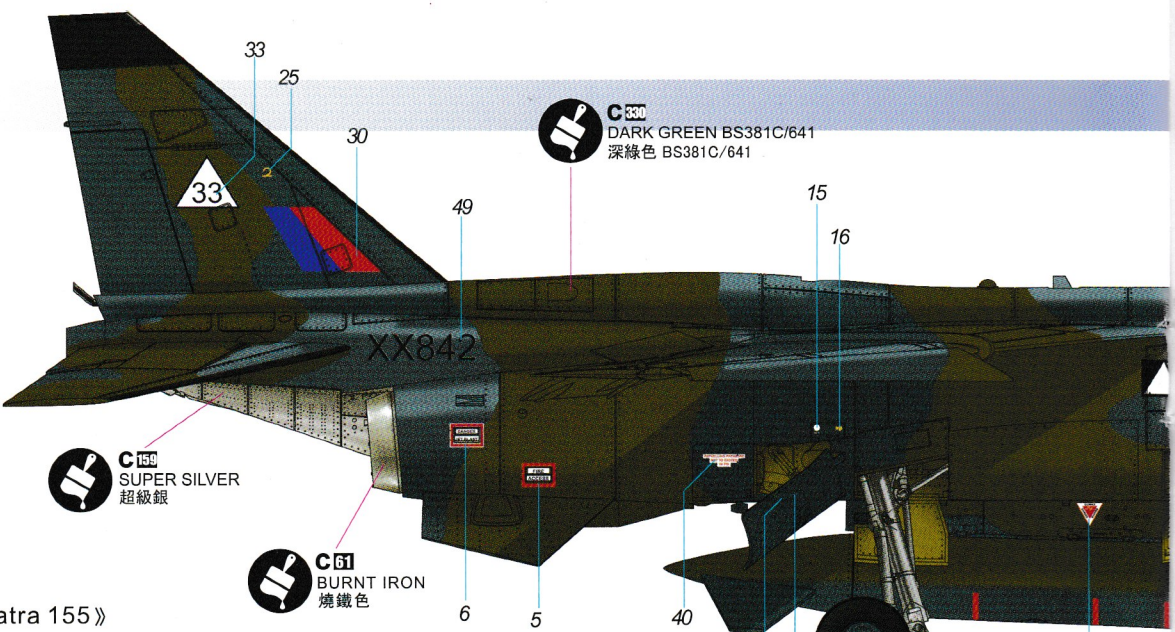
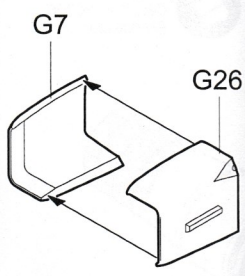
1. Cut off decal from transfer sheet.
2. Dip the decal in water for about 10 seconds (may take more seconds if in low temperature), and place on a clean cloth.
3. Hold the backing paper edge and slide decal onto the model. Then move decal into position by wetting decal with brush or finger.
4. Press decal gently down with a soft cloth until excess water and air bubbles are gone.



Copy Right 2014, Kitty Hawk. All Rights Reserved.

PRINTED IN CHINA

12

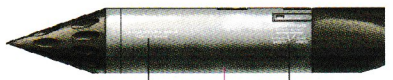


C330
DARK GREEN BS381C/641
深綠色 BS381C/641

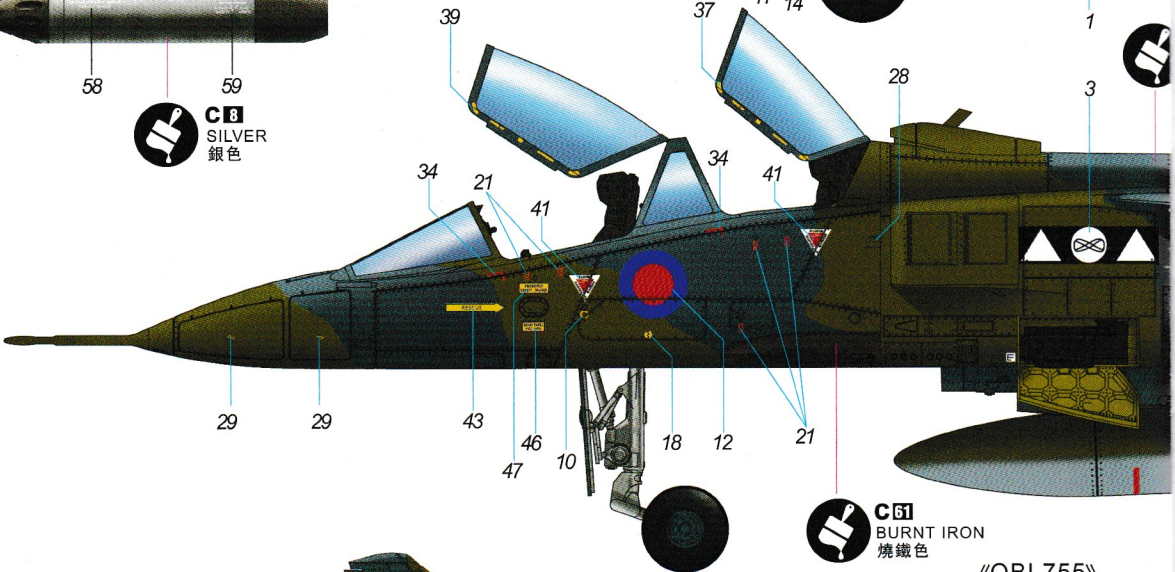
C150
SUPER SILVER
超級銀

C61
BURNT IRON
燒鐵色

《Matra 155》

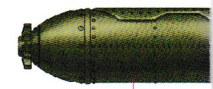


C8
SILVER
銀色

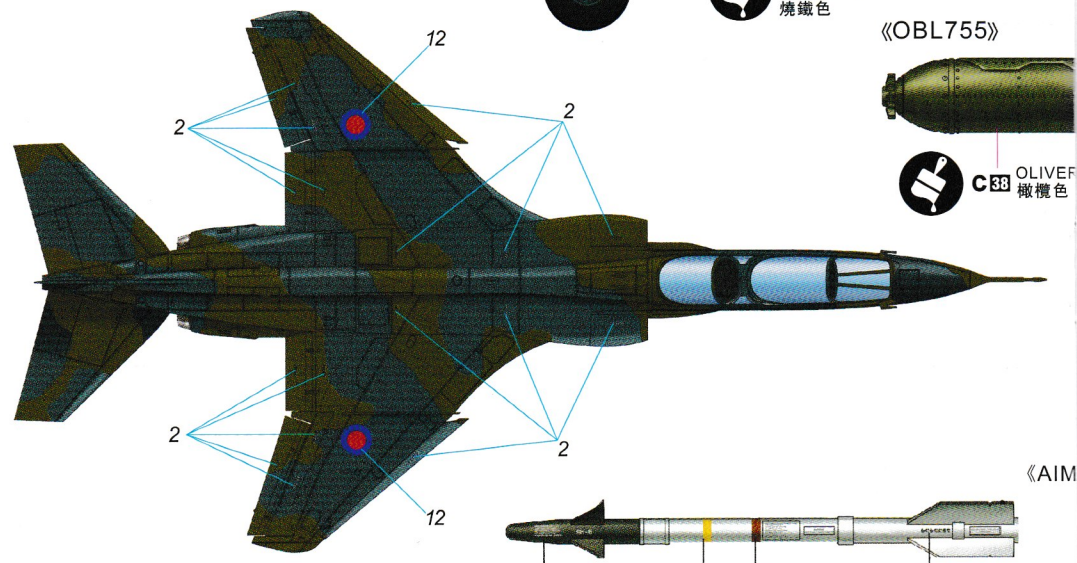


C61
BURNT IRON
燒鐵色

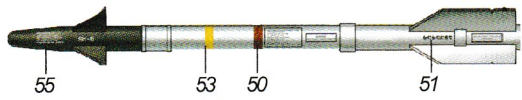
《OBL755》



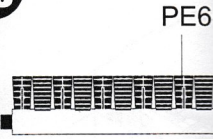
C83
OLIVE
橄欖色



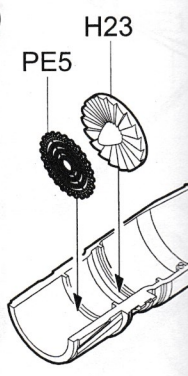
《AIM》



13



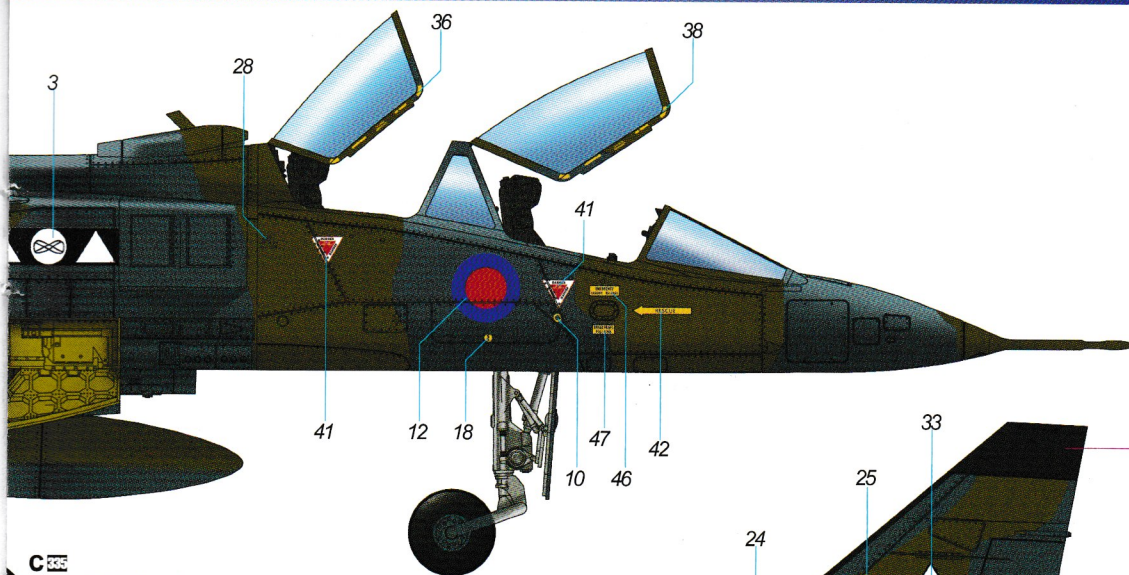
14



Painting & marking Guide

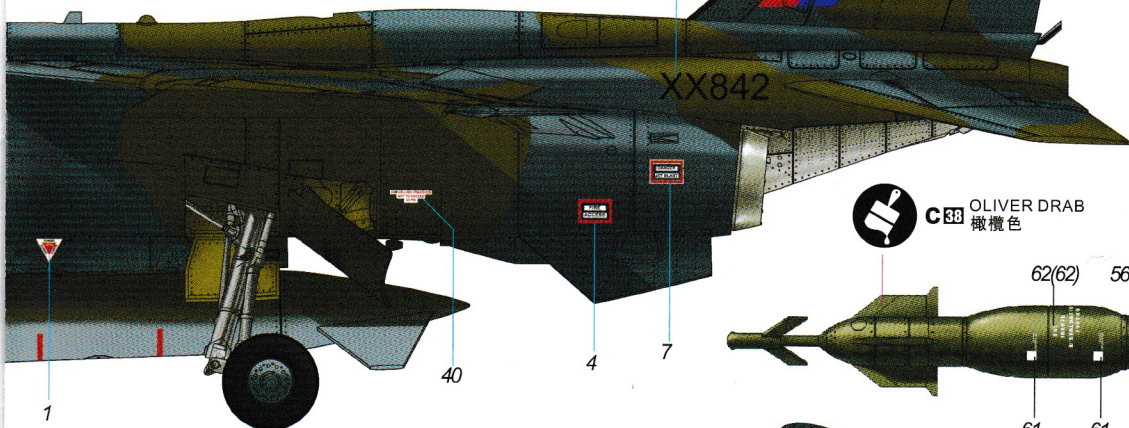
塗裝與水貼

SEPECAT Jaguar T.2 XX842: 33 of 2 Sqn.



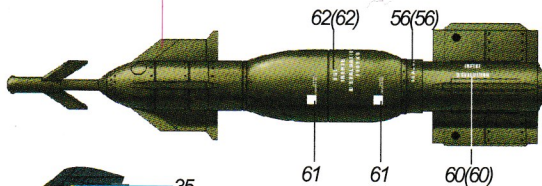
C2 BLACK
黑色

C35 MEDIUM SEA GREY
FS318C/637
中海灰FS318C/637

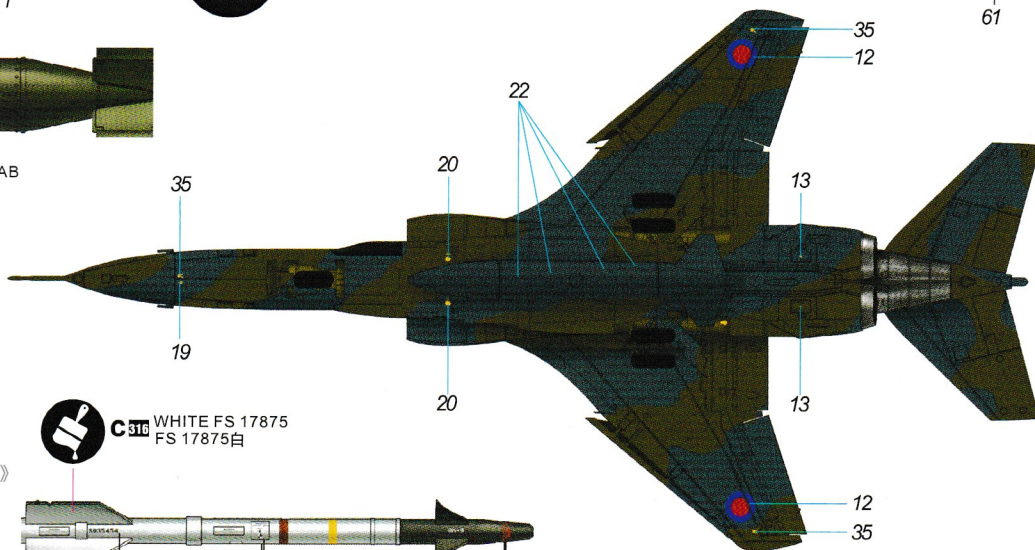


C33 OLIVER DRAB
橄欖色

《BGL480》

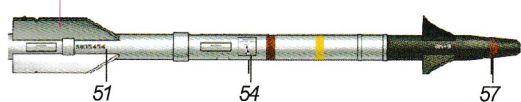


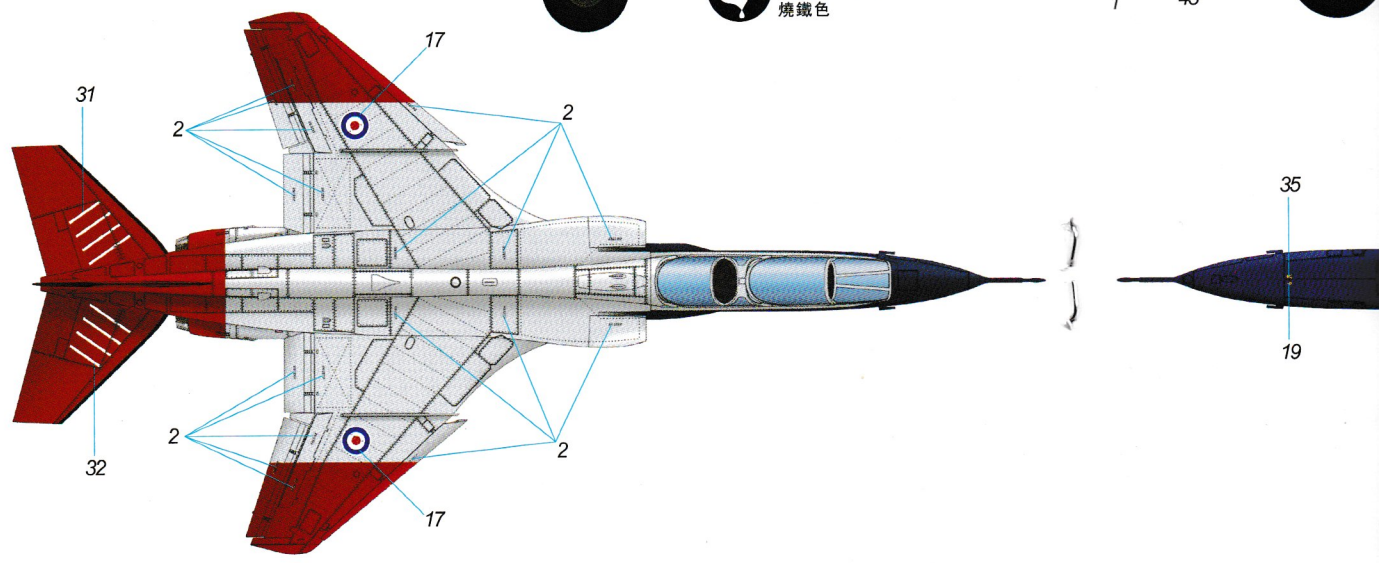
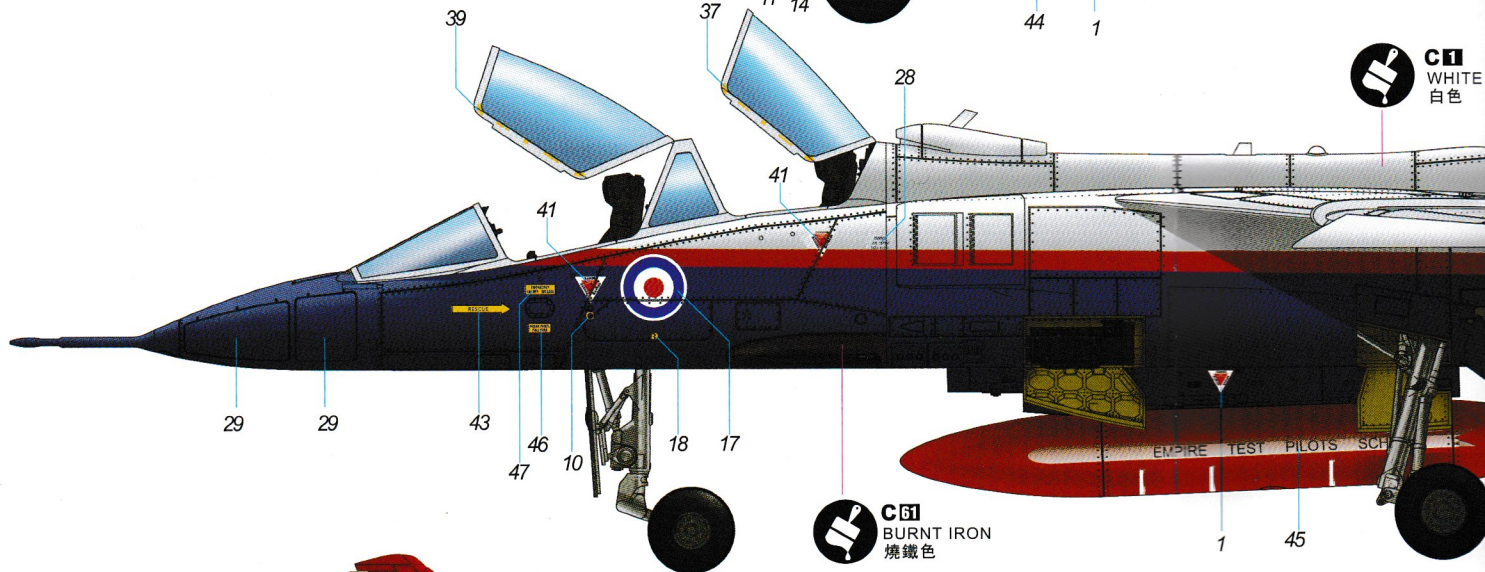
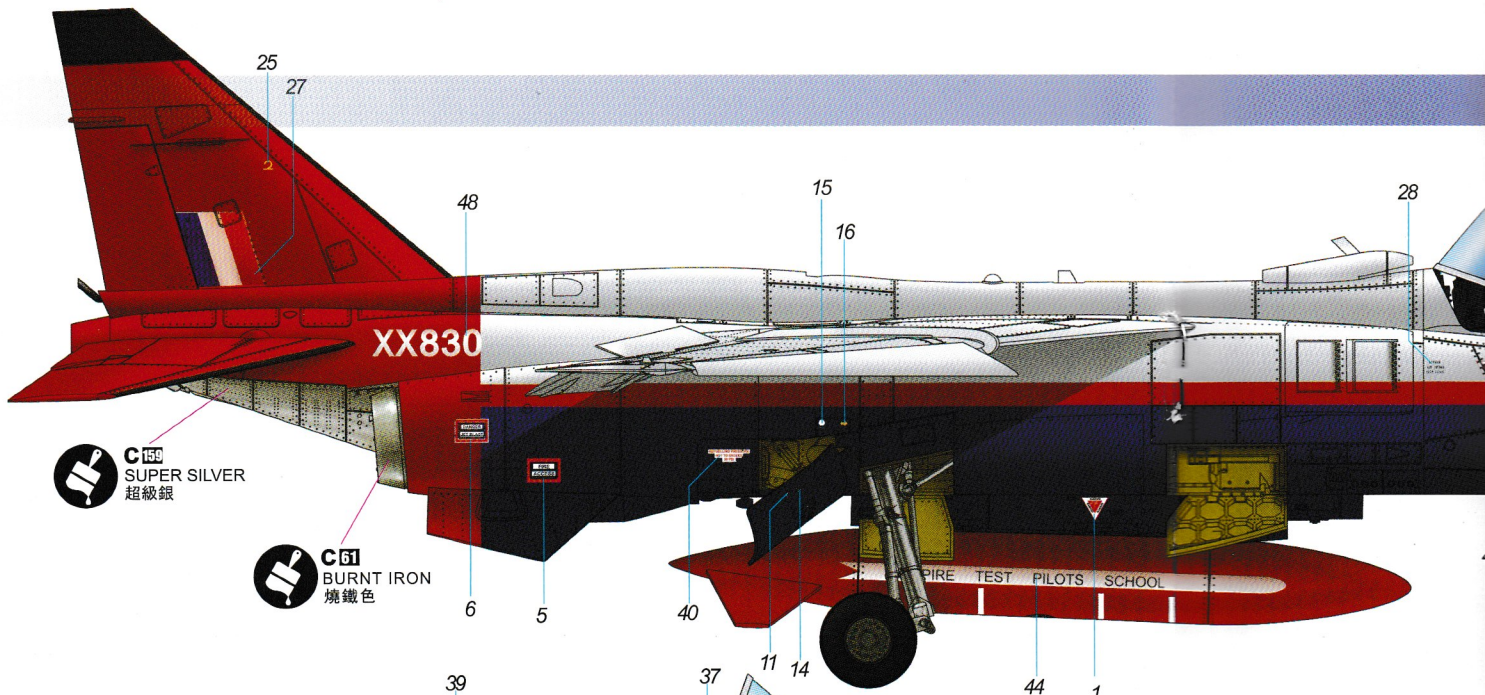
DRAB



C316 WHITE FS 17875
FS 17875白

《-9L》





Painting & marking Guide

塗裝與水貼

SEPECAT Jaguar T.2 XX830 of Empire Test Pilots School.

