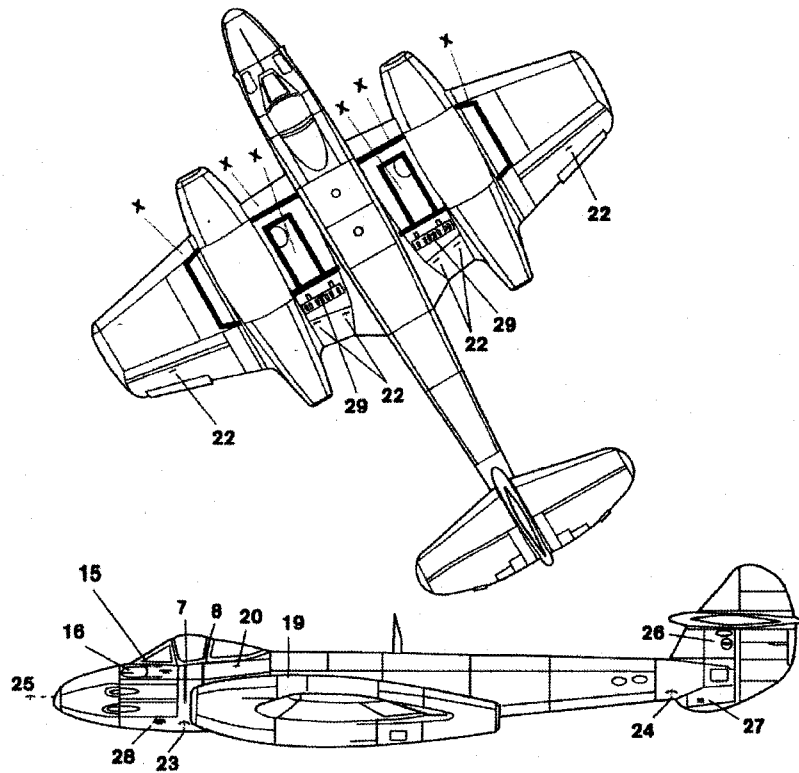


In "X" use decals kit.



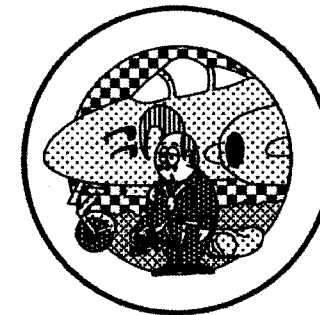
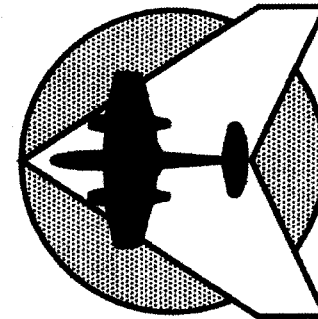
**Stencils and markings common to all
argentinian versions.
In the case of walkway lines
use the lines
and remove the english words**

You can find these instructions to print in color in our website

www.condordecals.com.ar

CONDOR DECALS®

Gloster Meteor F-4 II

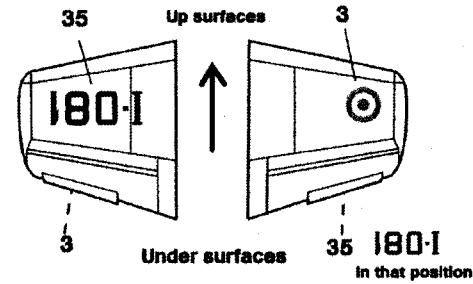
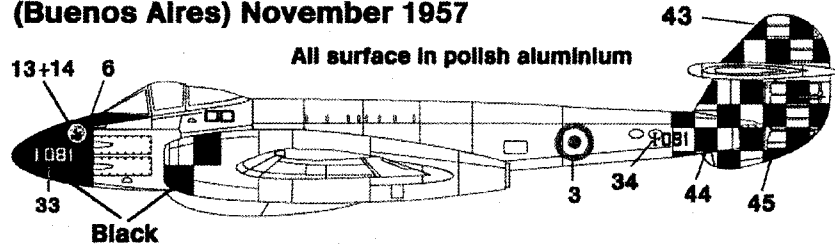


72041

48041

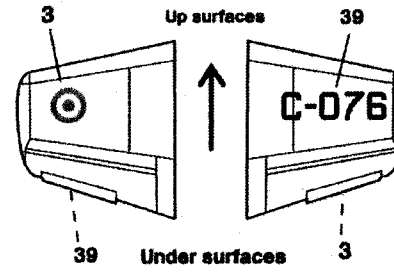
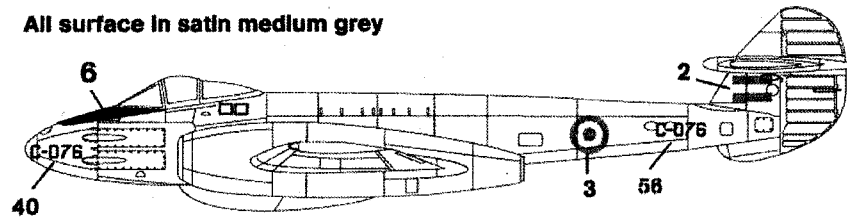
32041

Gloster Meteor FMk 4 I-081, Grupo 3 de Caza Bombardeo, (Buenos Aires) November 1957



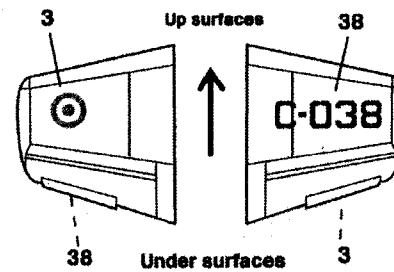
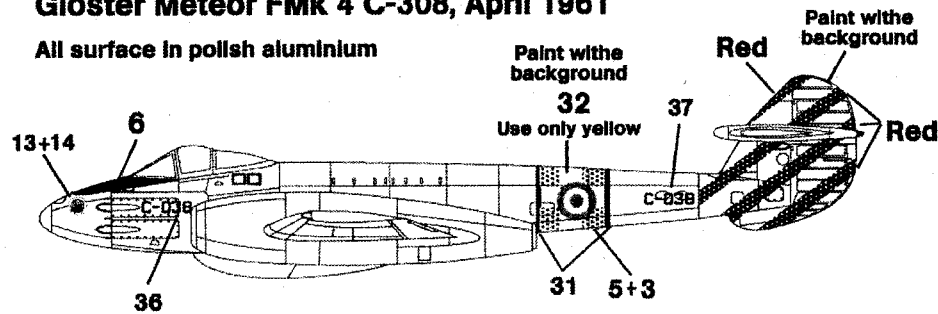
Gloster Meteor FMk 4 C-076, Fábrica Militar de aviones (Córdoba) 1960

All surface in satin medium grey



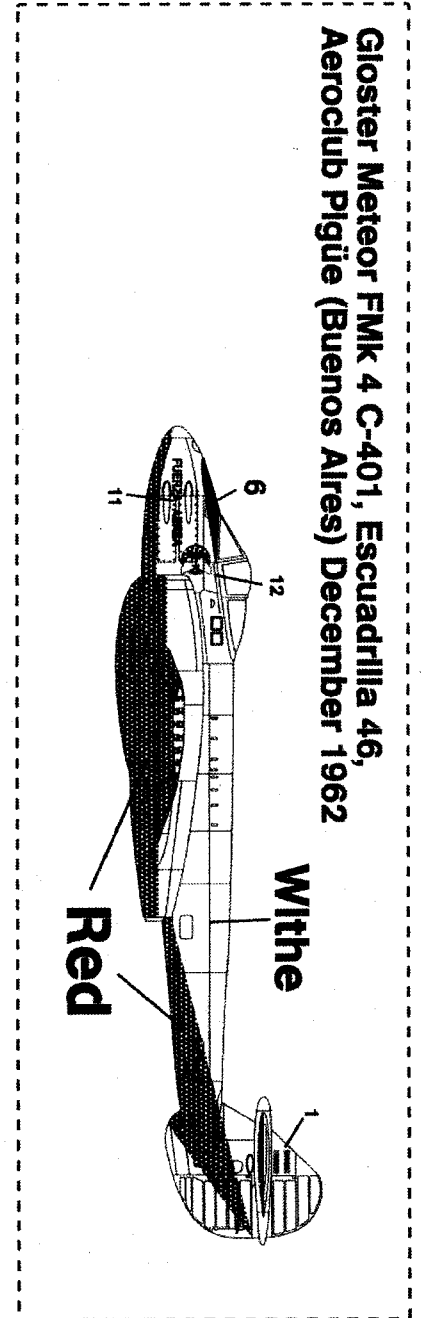
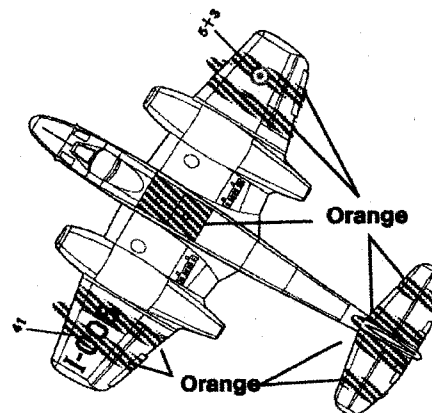
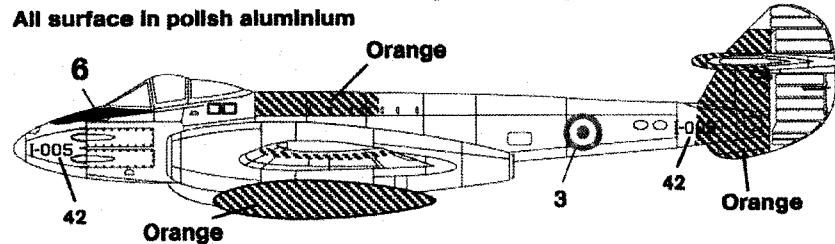
Gloster Meteor FMk 4 C-308, April 1961

All surface in polish aluminium



Gloster Meteor FMk 4 I-005, (Córdoba) October 1961

All surface in polish aluminium



Gloster Meteor FMk 4 C-401, Escuadrilla 46, Aeroclub Pígue (Buenos Aires) December 1962