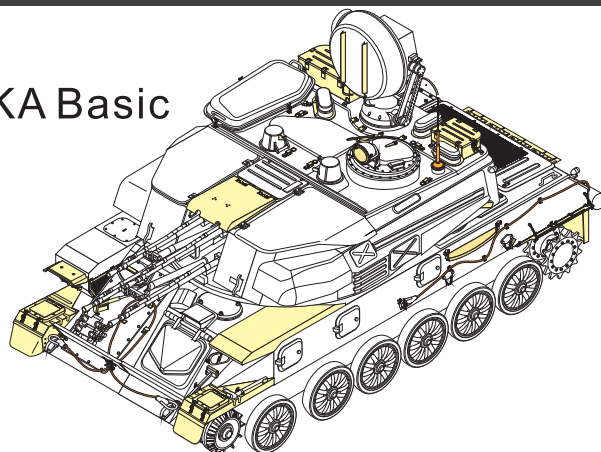


1/35 MILITARY MINIATURE VEHICLE UPGRADE SERIES PE35823

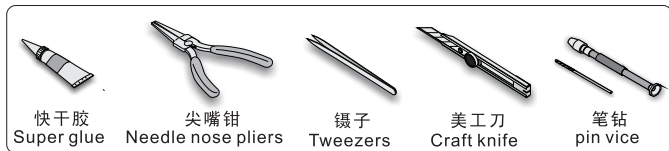
Modern Russian ZSU-23-4M SHILKA Basic

现代苏联ZSU-23-4M 石拉喀 改造件

[For HONG H-5001]



■ 推荐使用工具 RECOMMENDED TOOLS



↑ 安装 install

↩ 折叠 bend

A1 改造件零件编号 PE/resin part number

B12 原零件编号 kit part number

C22 被替换的原零件编号 replaced kit part number

✂ 切除 remove

↓ 用尖端在凹槽处冲压 use penpoint to press on the dent

蚀刻片零件内侧面朝上 PE part inboard side turn up

圆珠笔 Ballpen

用笔尖在凹槽处刮 Use penpoint scratch on the flute

↻ 弧度卷曲 radial bending

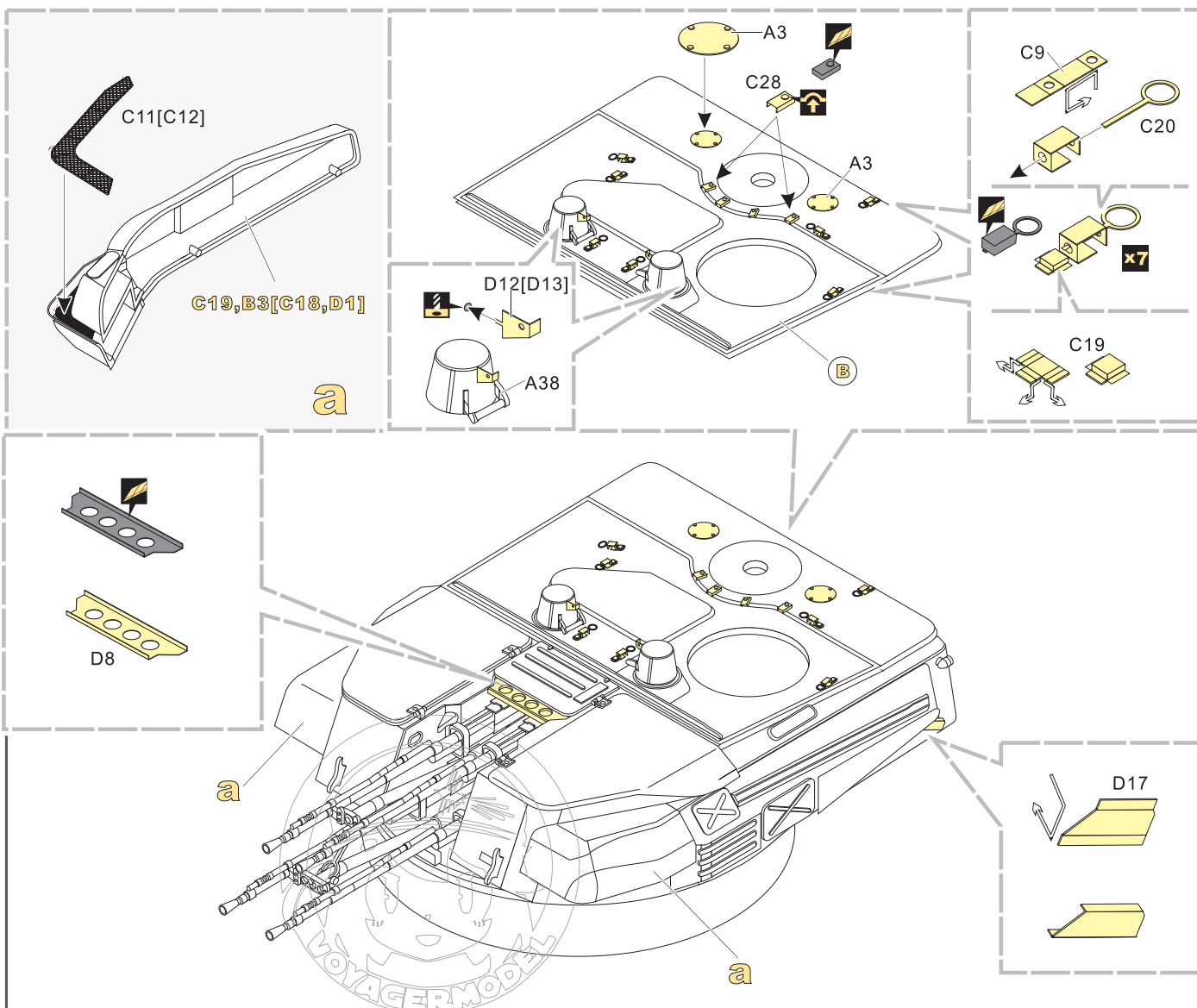
x2 制作若干组 multiple assembly

↔ 另一侧相同制作 repeat on opposite side

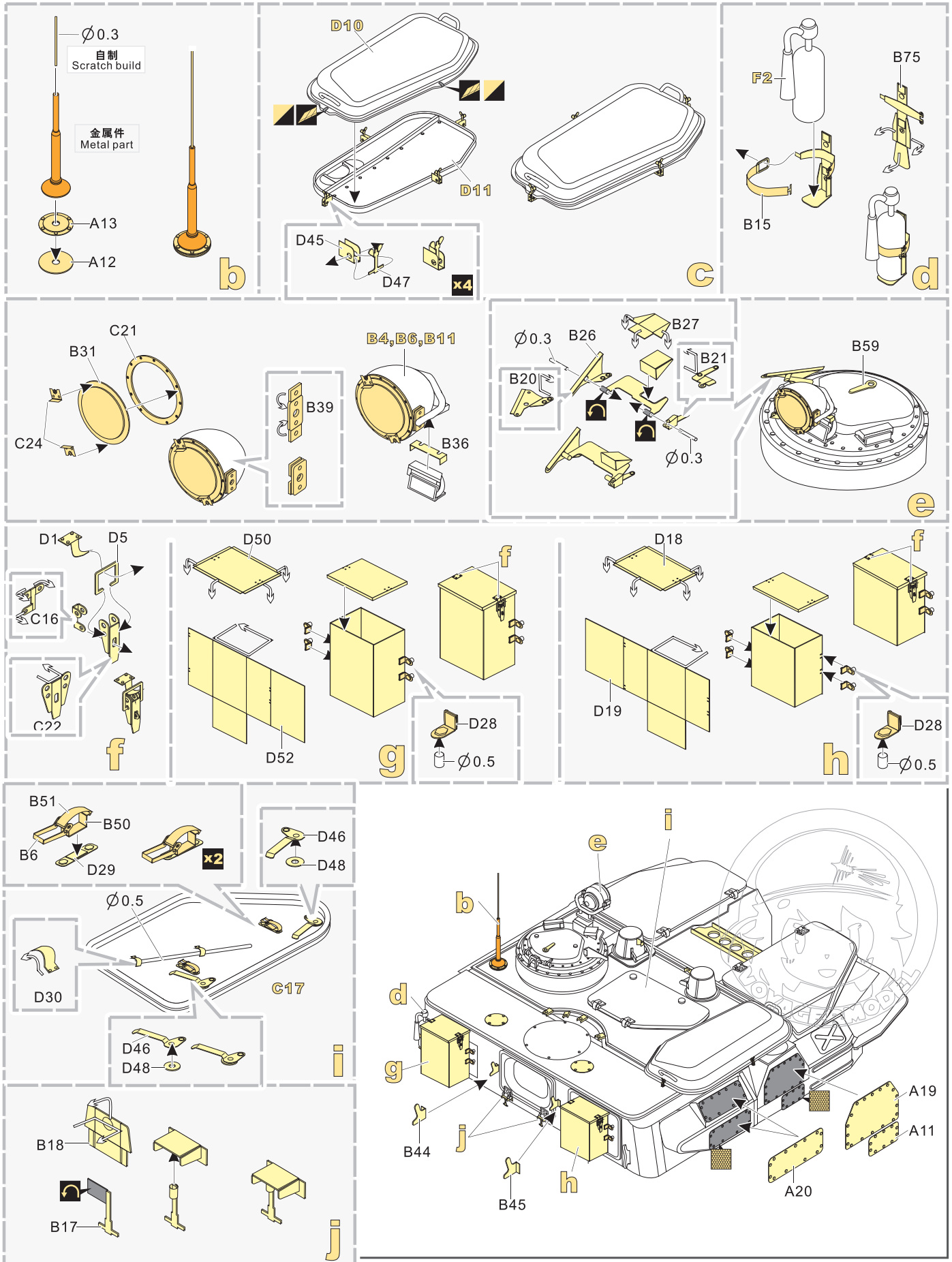
⇄ 选择安装 alternative

⚡ 钻孔 drill

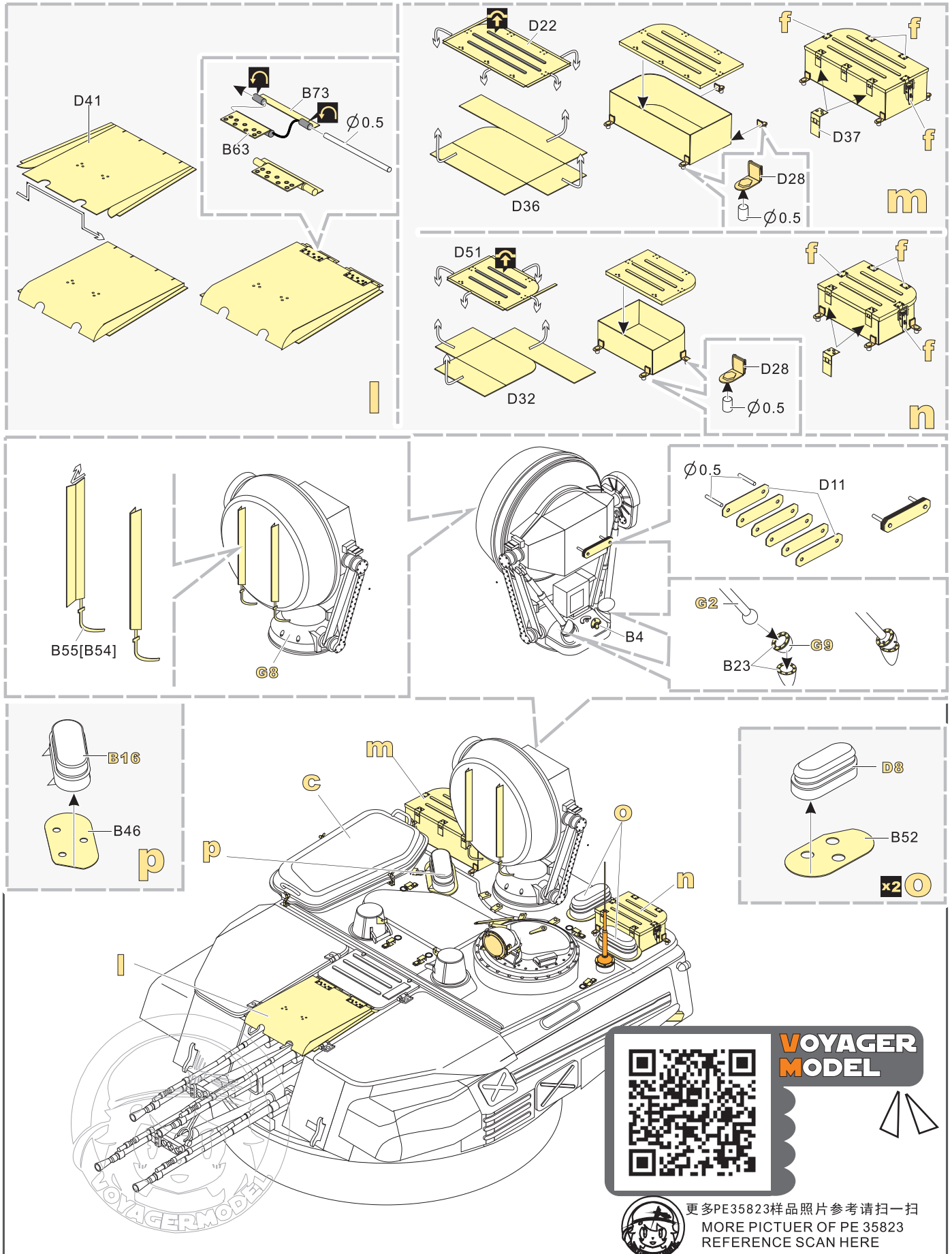
⚠ 注意 caution



1/35 MILITARY MINIATURE VEHICLE UPGRADE SERIES PE35823



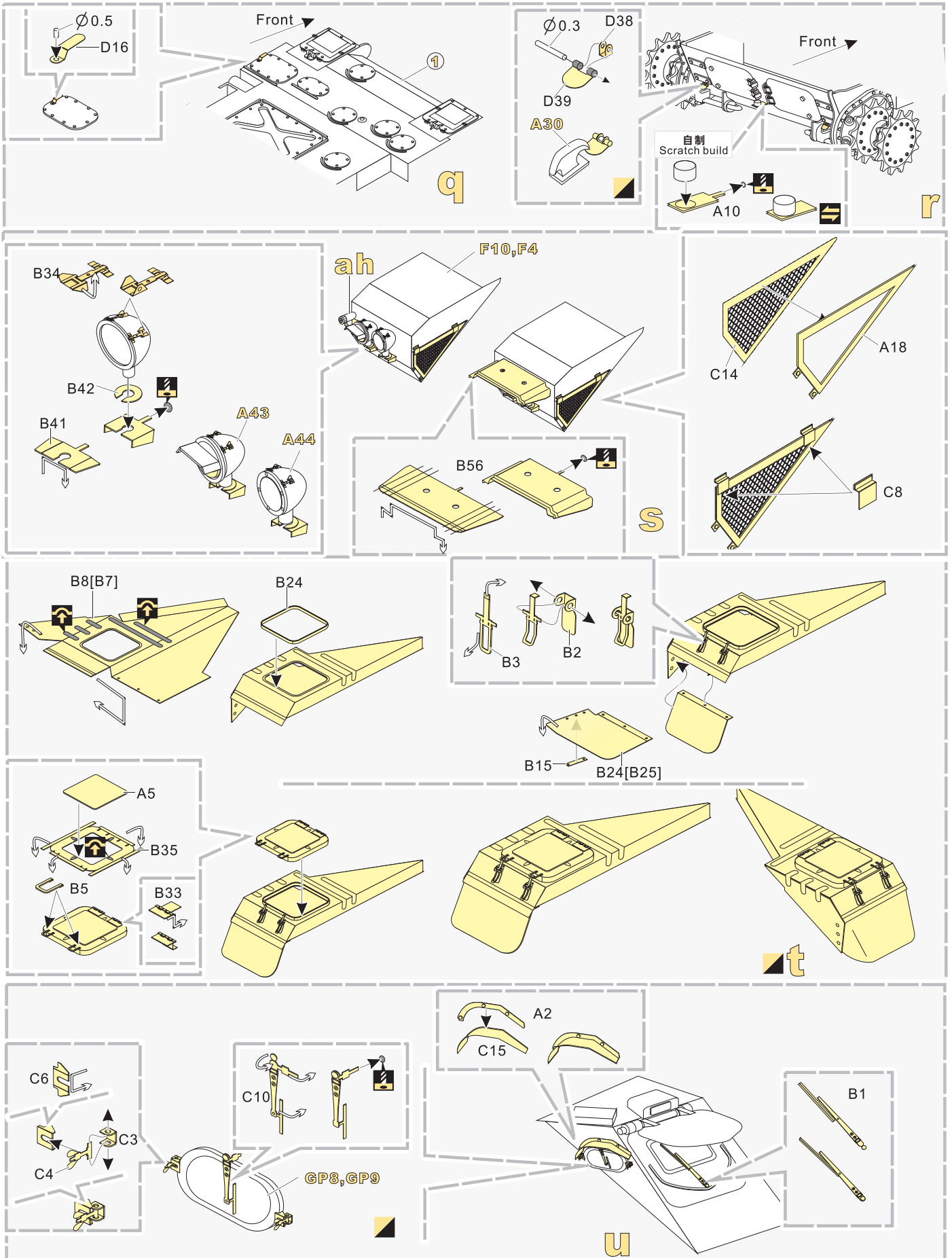
1/35 MILITARY MINIATURE VEHICLE UPGRADE SERIES PE35823



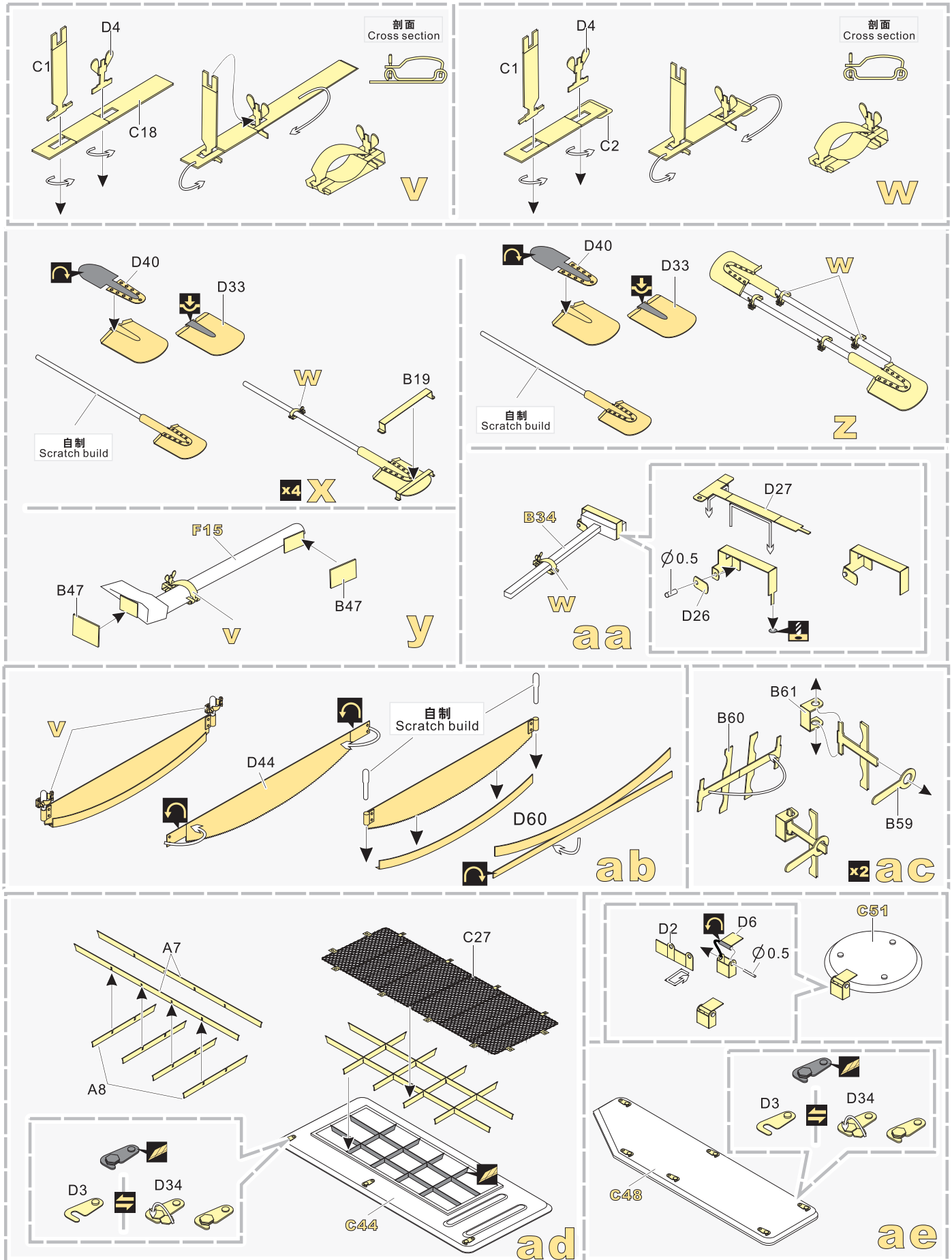
**VOYAGER
MODEL**

更多PE35823样品照片参考请扫一扫
MORE PICTUER OF PE 35823
REFERENCE SCAN HERE

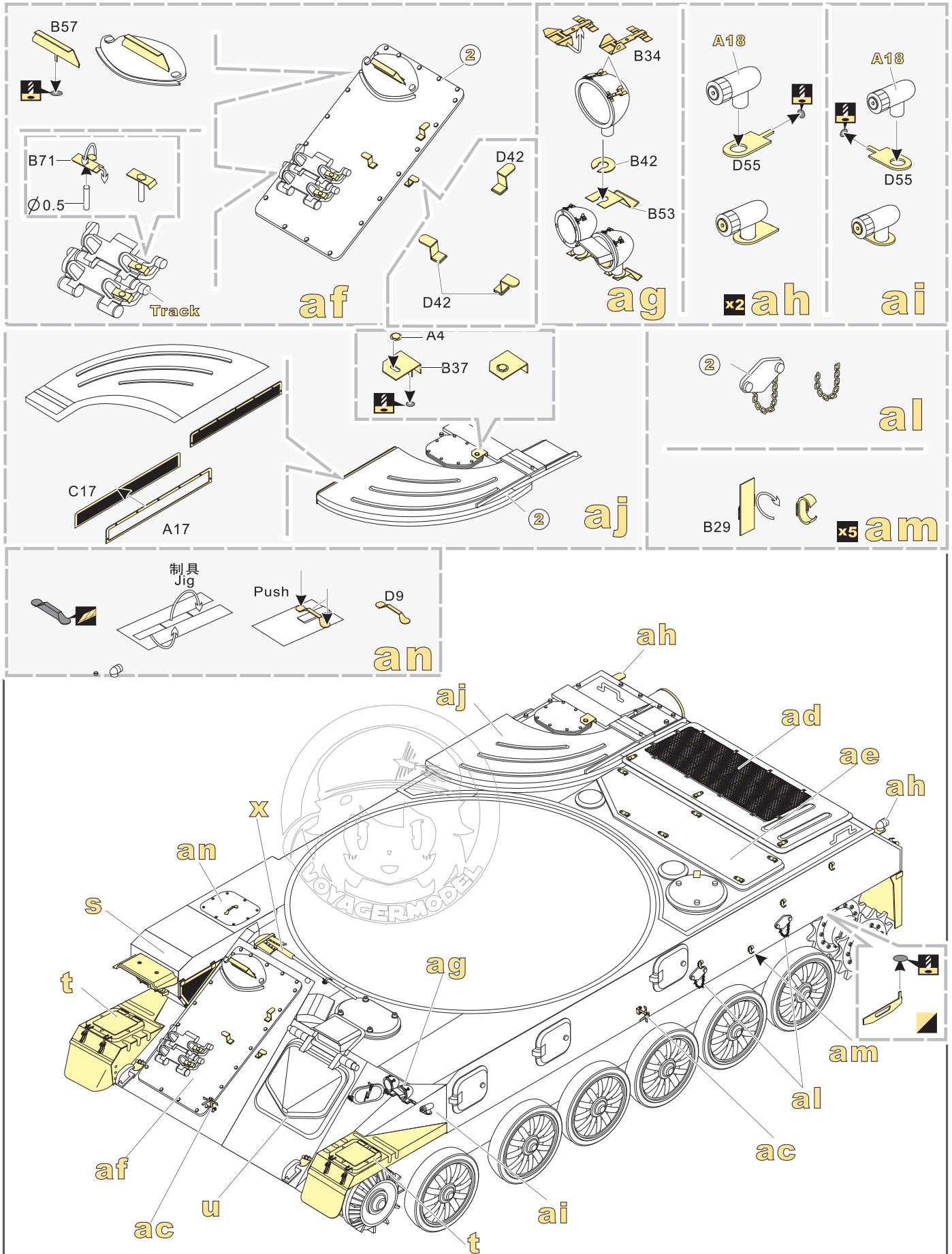
1/35 MILITARY MINIATURE VEHICLE UPGRADE SERIES PE35823



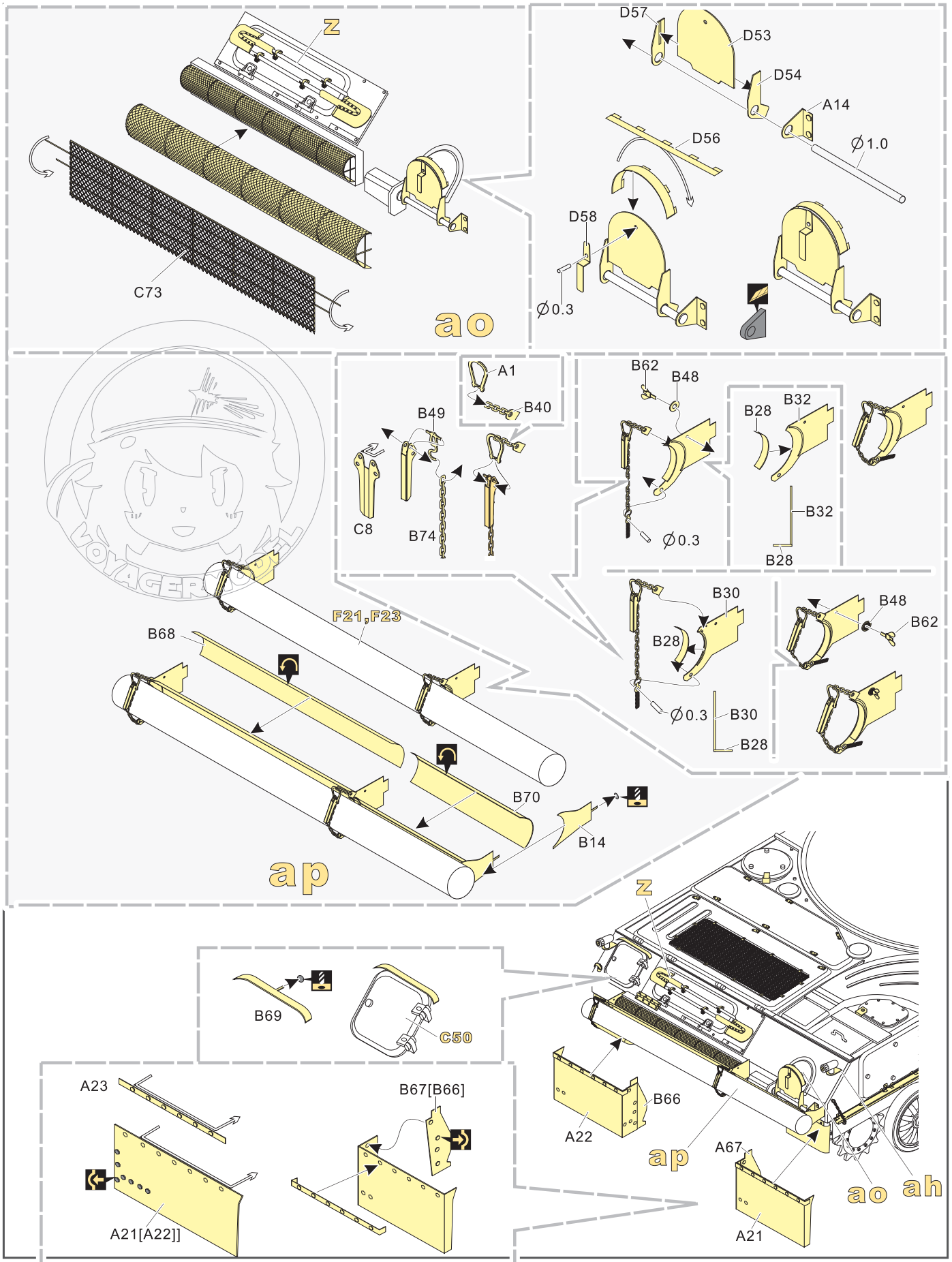
1/35 MILITARY MINIATURE VEHICLE UPGRADE SERIES PE35823



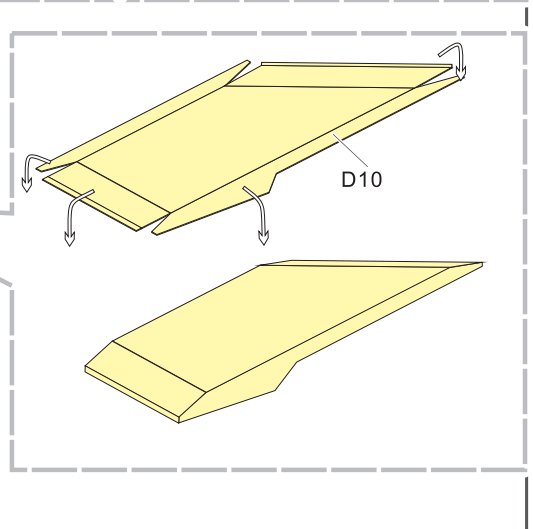
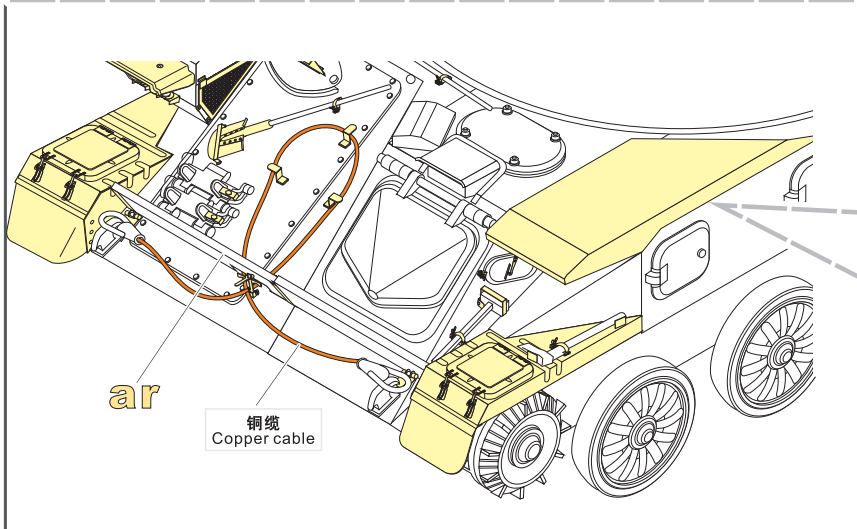
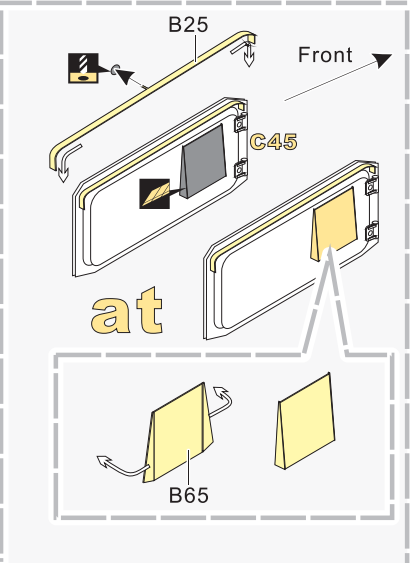
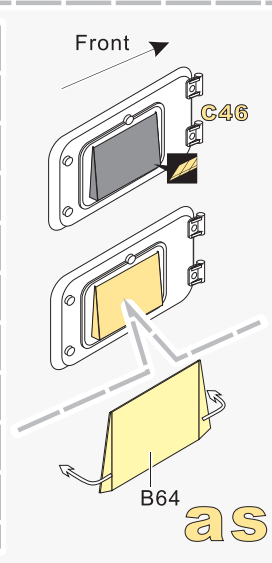
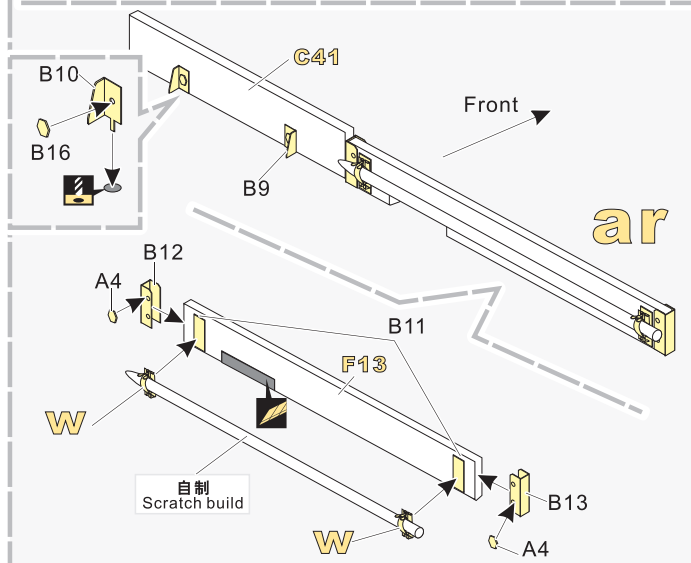
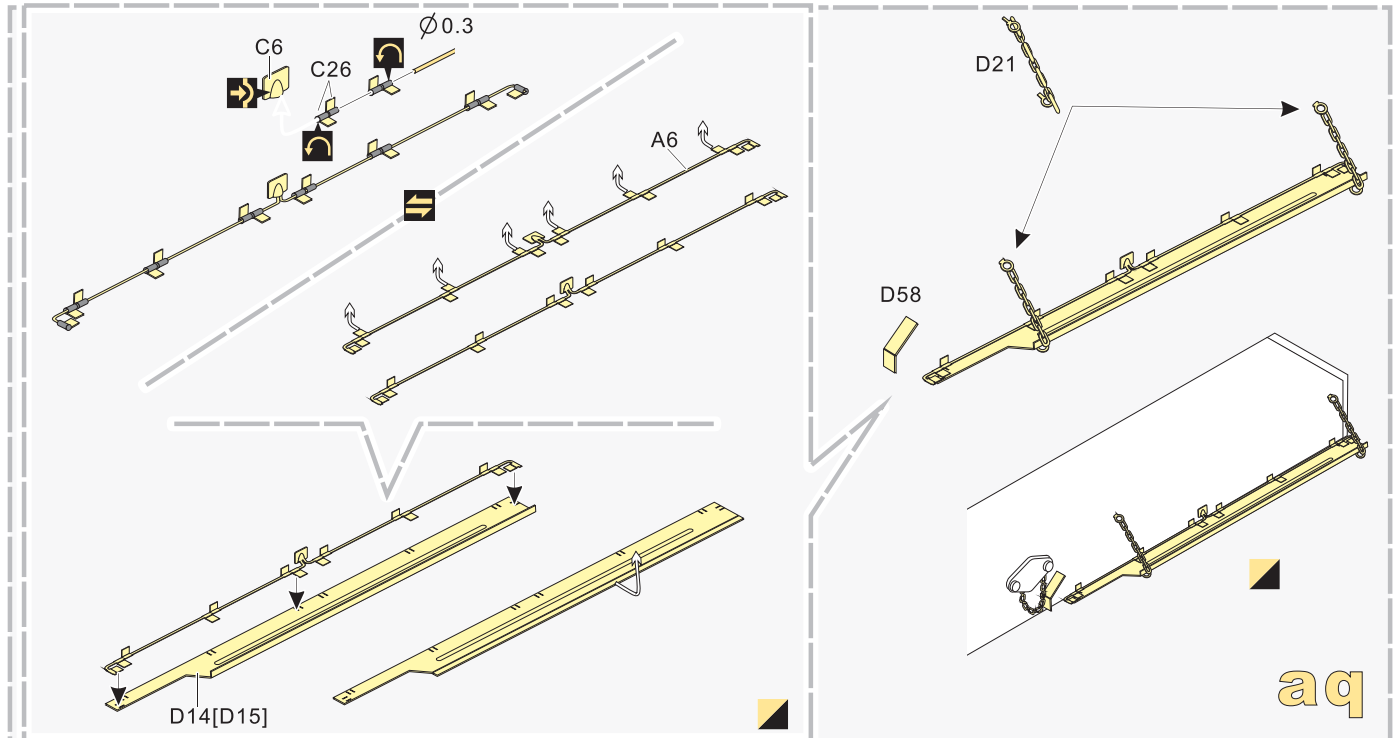
1/35 MILITARY MINIATURE VEHICLE UPGRADE SERIES PE35823



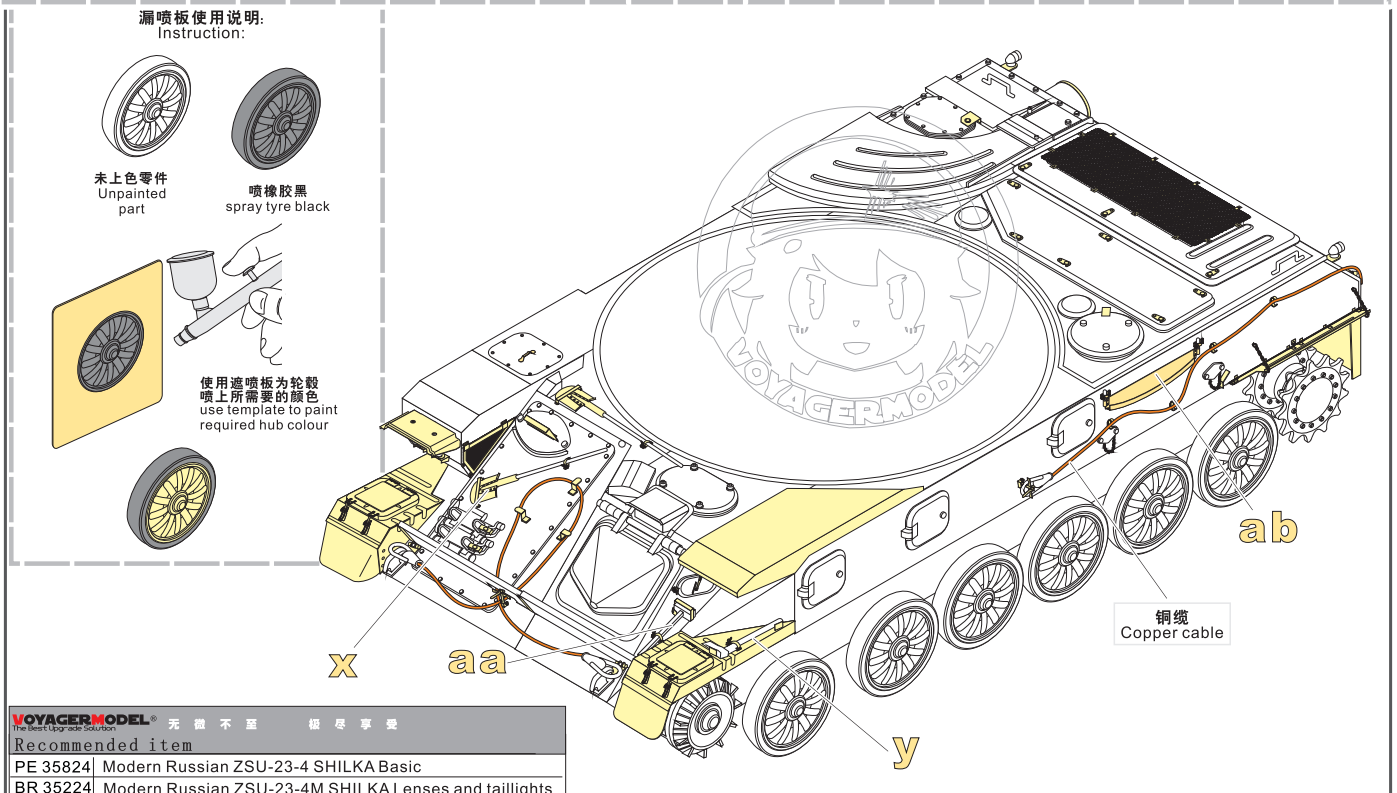
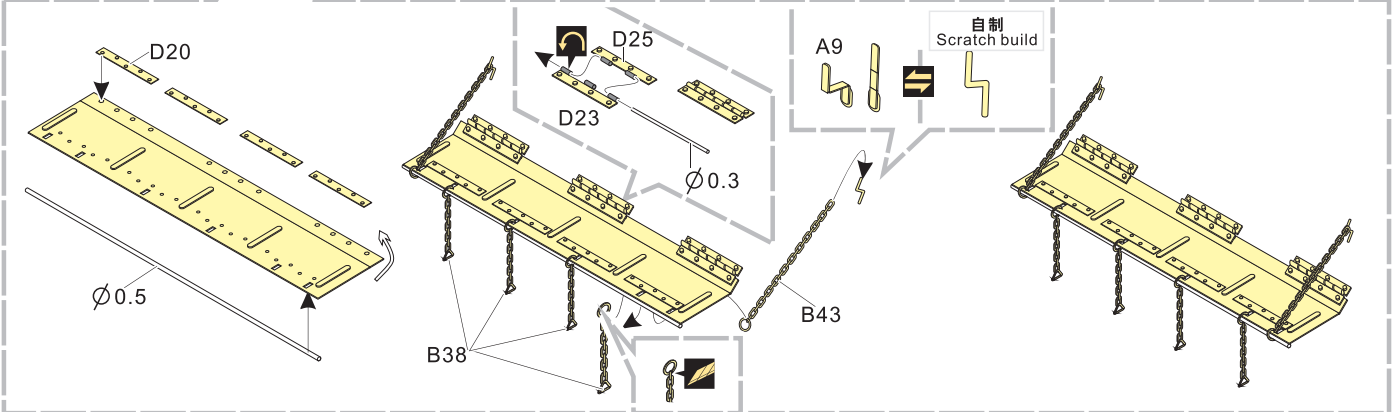
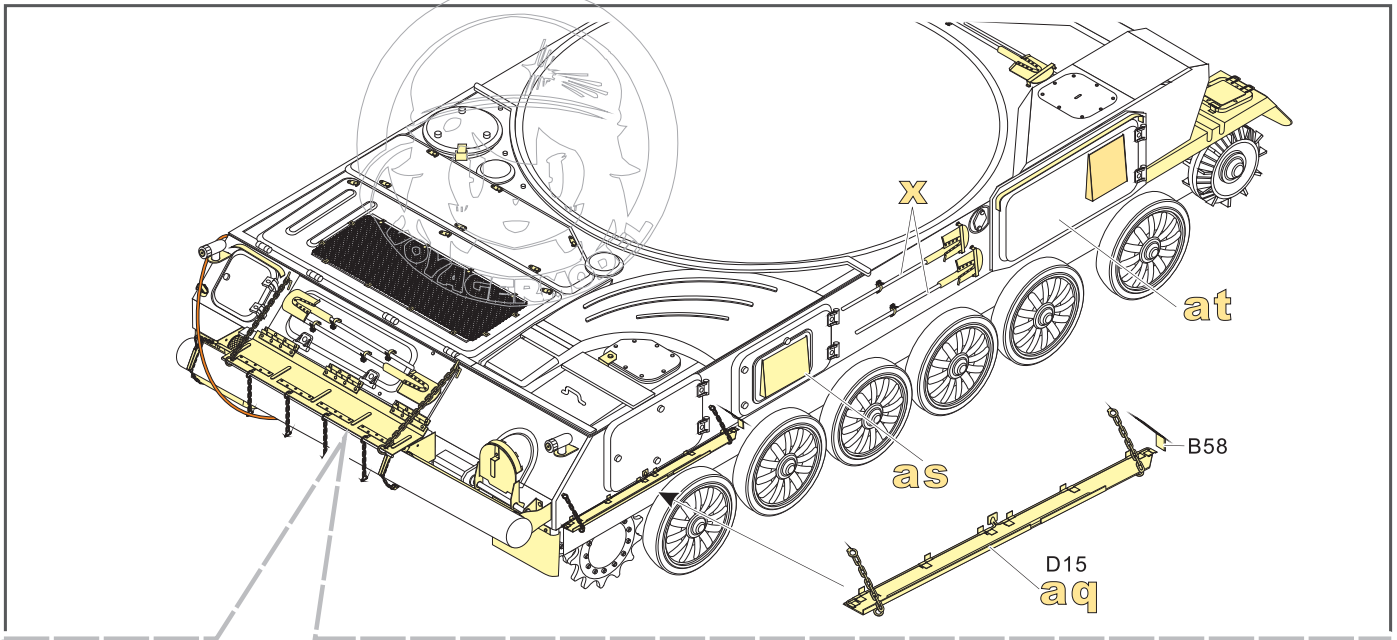
1/35 MILITARY MINIATURE VEHICLE UPGRADE SERIES PE35823



1/35 MILITARY MINIATURE VEHICLE UPGRADE SERIES PE35823



1/35 MILITARY MINIATURE VEHICLE UPGRADE SERIES PE35823



VOYAGERMODEL® 无微不至 极尽享受
Recommended item
PE 35824 Modern Russian ZSU-23-4 SHILKA Basic
BR 35224 Modern Russian ZSU-23-4M SHILKA Lenses and taillights