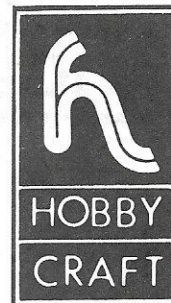


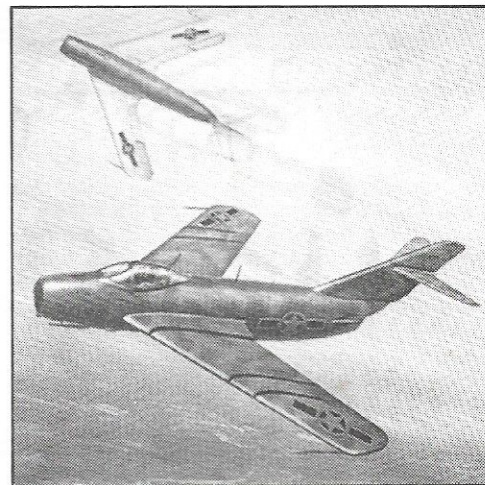


**WAR
EAGLE**[®]
INCORPORATED

**HOBBYCRAFT
CANADA**



**Mikoyan Guryevich
MiG-17F**
Soviet Interceptor/Intercepteur Soviétique



Painting: Paul Solosky

Your Mikoyan Guryevich MiG-17F
modèle réduit échelle • 1/48 • scale model kit: No. HC1593

From Vietnam to the Middle East, Africa to Afghanistan, the MiG-17F carved a reputation as one of the most important combat aircraft developed since World War II. Simple, rugged and maneuverable, over 10,000 served in 30 air forces since 1953. And as of late 1986, 21 nations still boasted inventories of the dependable little fighter. Other important variants include the MiG-17PF and PFM all-weather machines.

Your *War Eagle*® - *Hobbycraft* kit is an exacting 1/48th scale replica of this famous warplane. Included are authentic markings for the legendary Col. Tomb — leading North Vietnamese "ace" of the Indochina war — and decals for a colorful MiG-17F of the Indonesian Air Force. War Eagle® Inc. offers a complete line of aircraft models, conversions and accessories — including vacuum-forms, castings and decals. Tel.: 313/727-1660. Fax: 313/727-1824. This kit is exclusively distributed worldwide by Hobbycraft Canada, 140 Applewood Crescent, Concord, Ontario L4K 4E2, Canada. Tel.: 416/738-6556. Fax: 416/738-6329.

A	F37038	black	noire	Schwarz	nero
B	FS25164	grey	gris	Grau	grigio
C	FS26329	light grey	gris clair	Lichtgrau	grigio chiaro
D	FS34077	dark green	vert foncé	Dunkelgrün	verde scuro
E	FS34258	light green	vert clair	Hellgrün	verde chiaro
F	FS?????	metallic	metallic	Metallic	metalico
G	FS17178	aluminum	aluminum	Aluminum	argento
H	FS31136	red	rouge	Rot	rosso
I	FS14090	green	vert	Grün	verde
J	FS?????	light brown	marron clair	Hellbraun	marrone chiaro

Special Instructions:
Consignes Spéciales:
Besondere Anweisungen:
Istruzioni Speciali:



cement
coller
zusammenkleben
incollare



decal
decalomania
Abziehbild
decalomania



cut
couper
schneiden
tagliare



two
deux
zwei
due

© 1989 War Eagle® Inc., P.O. Box 327, Richmond, MI 48062 USA.
All rights reserved. Made in South Korea.

READ THIS BEFORE YOU BEGIN:

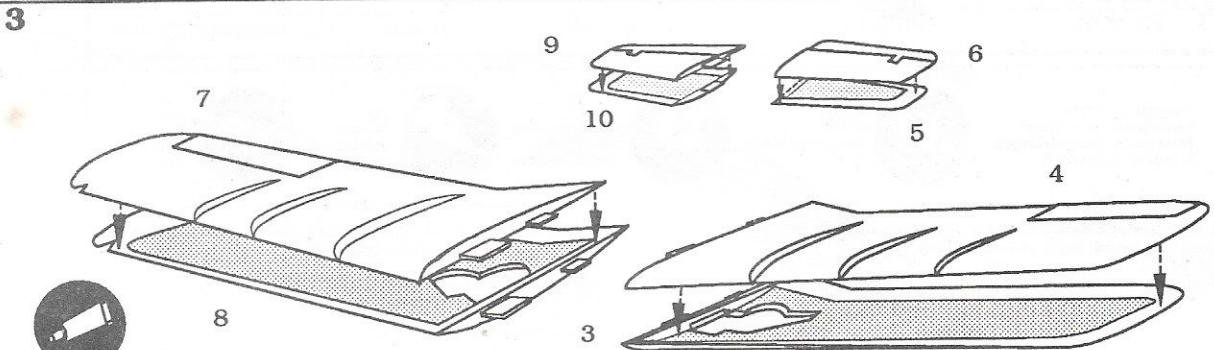
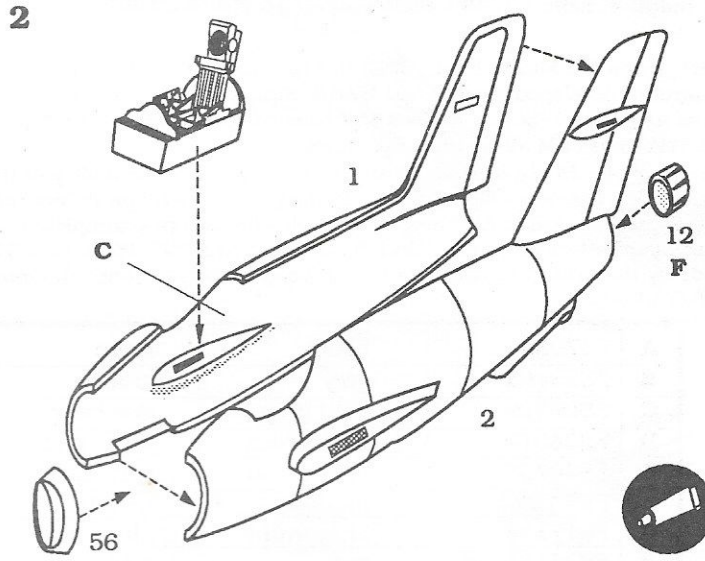
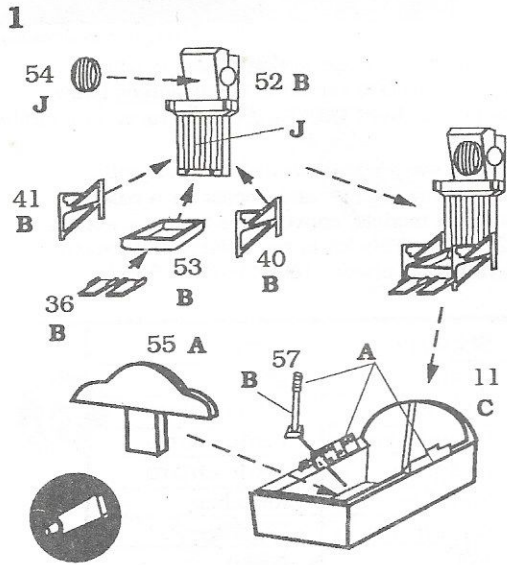
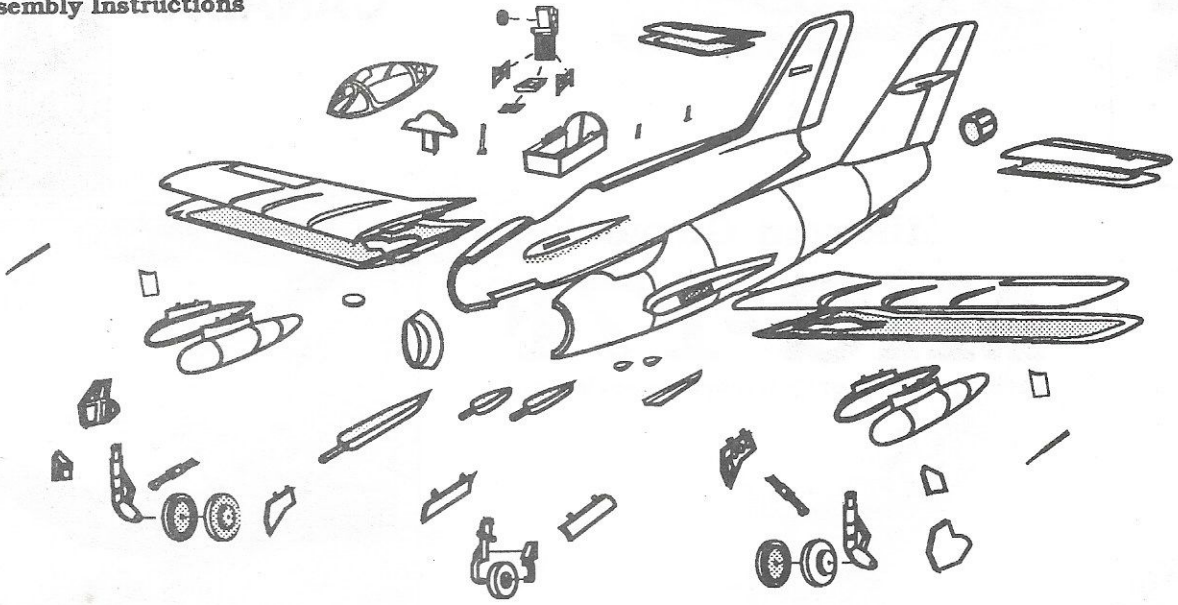
- Study the assembly drawings.
- Each plastic part is identified by a number.
- Check the fit of each piece before cementing in place.
- Do not use too much cement to join parts.
- Model may be painted to match photos on box.

© 1989 War Eagle® Inc., P.O. Box 327, Richmond, MI 48062 USA.
Tous droits réservés. Fabriqué à Sud Corée.

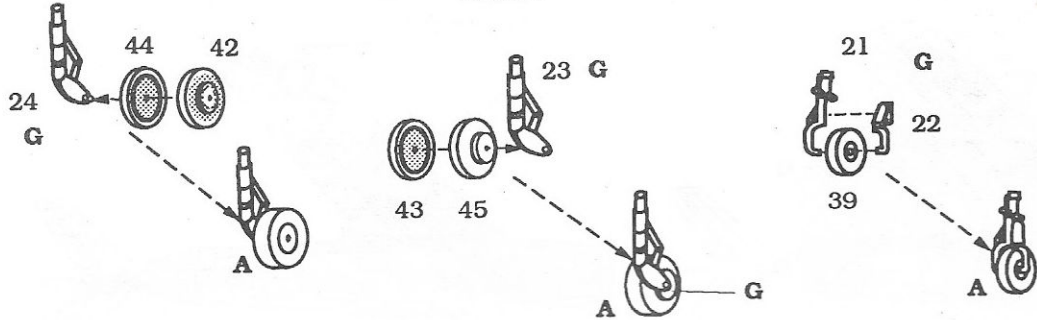
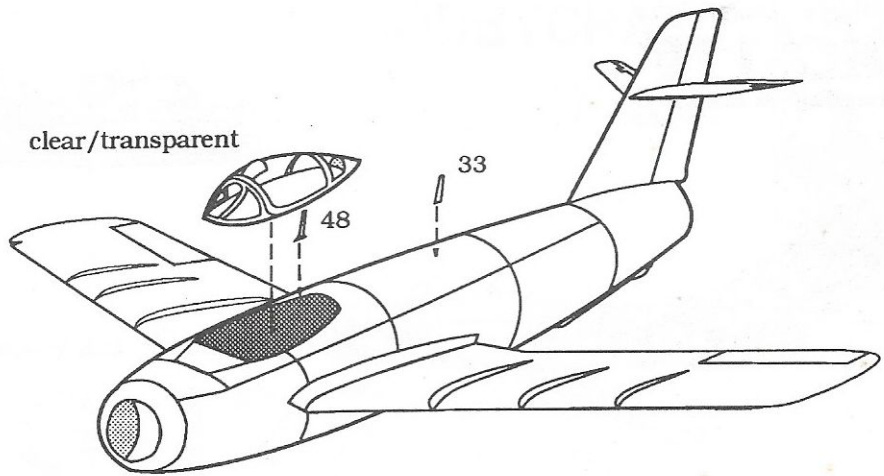
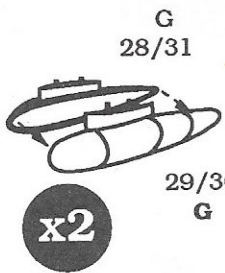
LIRE CECI AVANT DE COMMENCER:

- Étudier les dessins d'assemblage.
- Chaque pièce de plastique est numérotée.
- S'assurer que la pièce convient avant de la coller.
- Ne pas utiliser trop de colle.
- On peut peindre le modèle pour l'apparier aux photos de la boîte.

Mikoyan Guryevich
MiG-17F
 Assembly Instructions

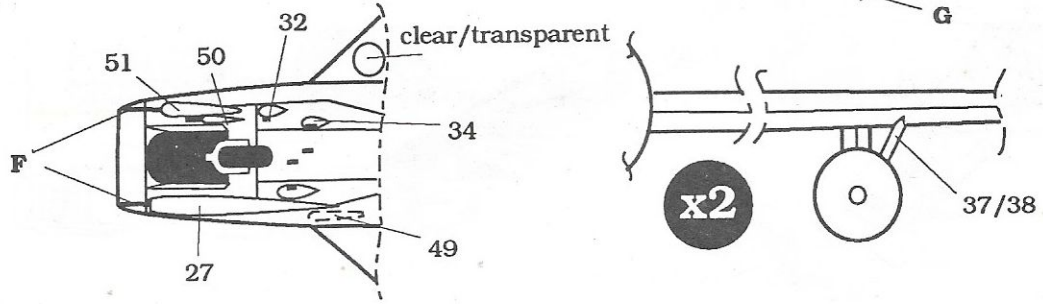
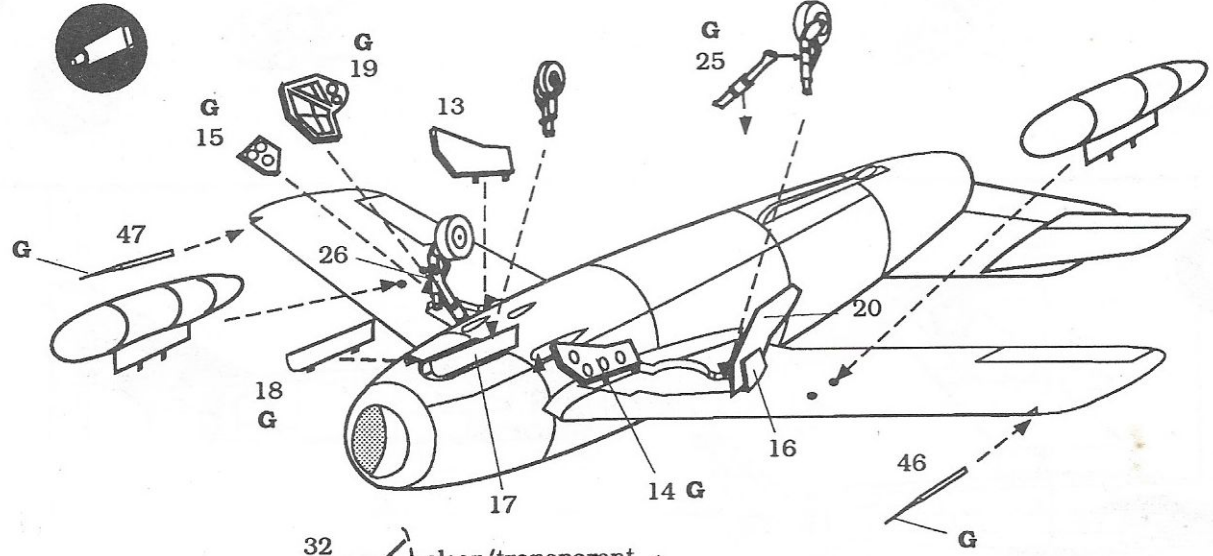


4



(trim tops of all landing gear for proper fit!)

5



Mikoyan Guryevich
MiG-17F
 Camouflage & Markings

