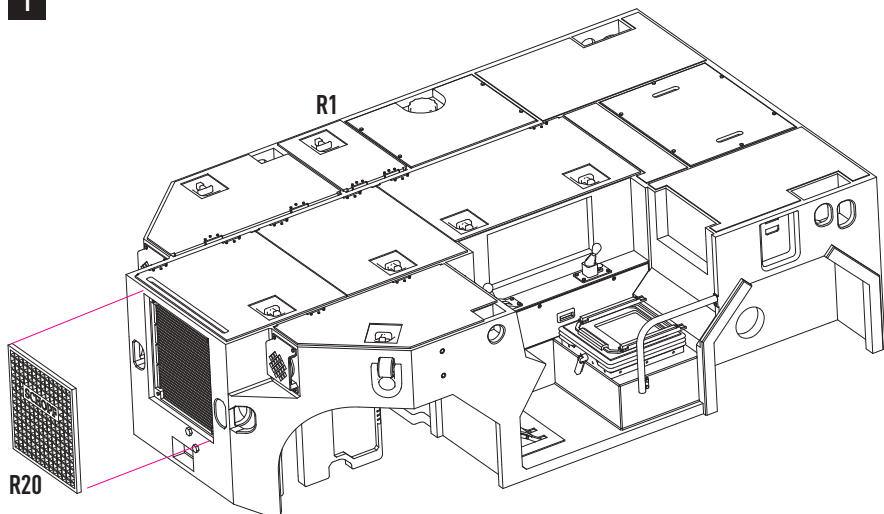
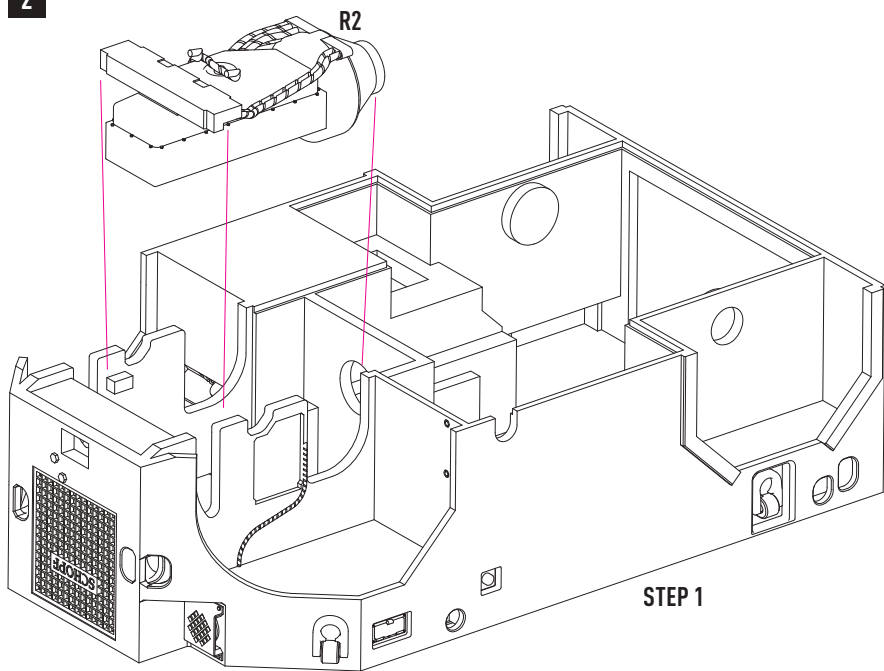


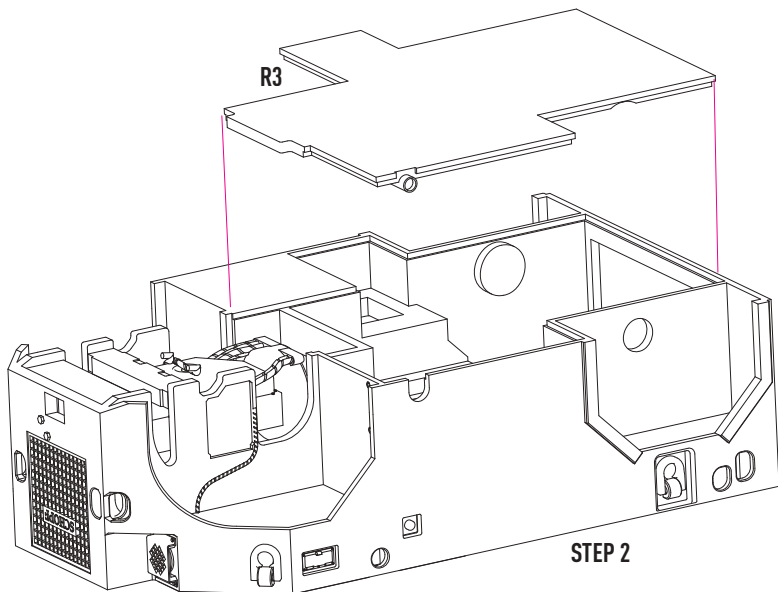
1



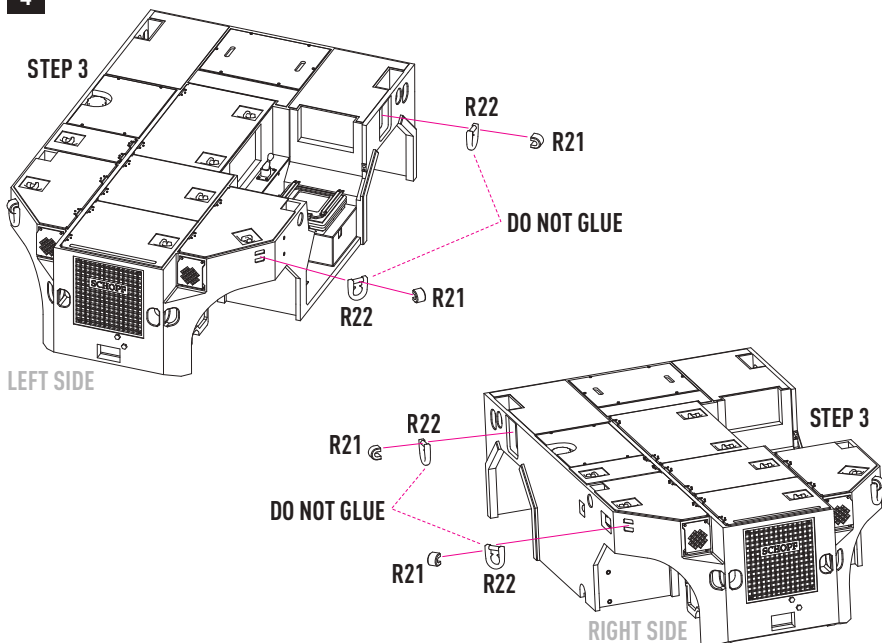
2



3

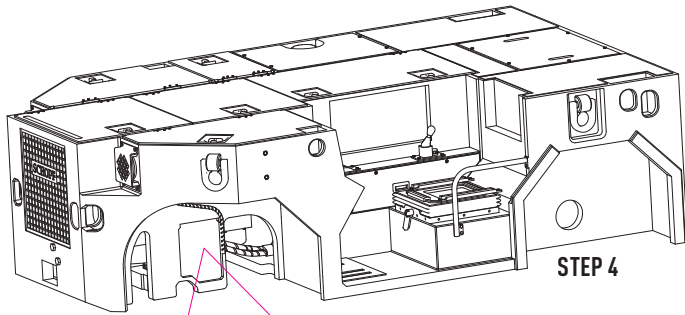


4



5

LEFT  
SIDE



STEP 4

R4 FOR VERSION 1

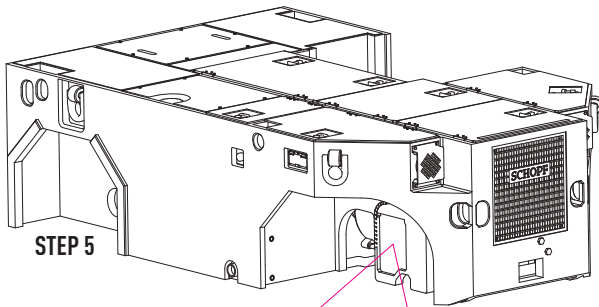


?



R8 FOR VERSION 2

6



RIGHT  
SIDE

STEP 5

R7 FOR VERSION 2



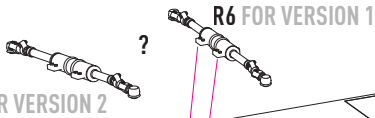
?



R5 FOR VERSION 1

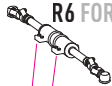
7

R9 FOR VERSION 2

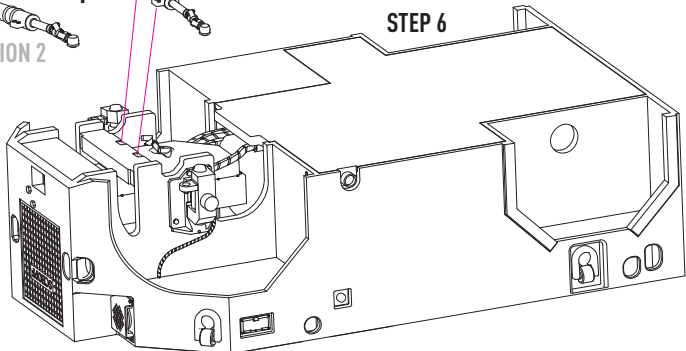


?

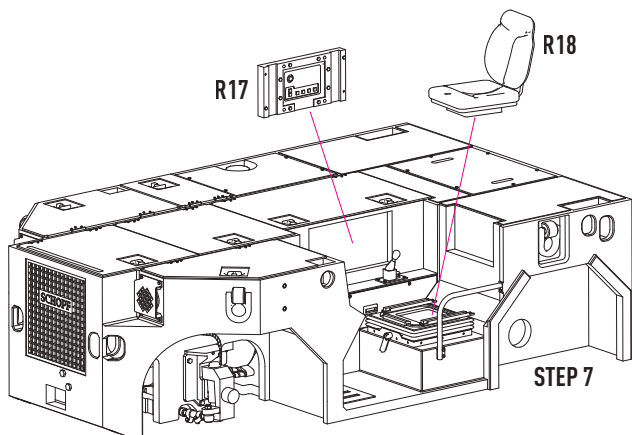
R6 FOR VERSION 1



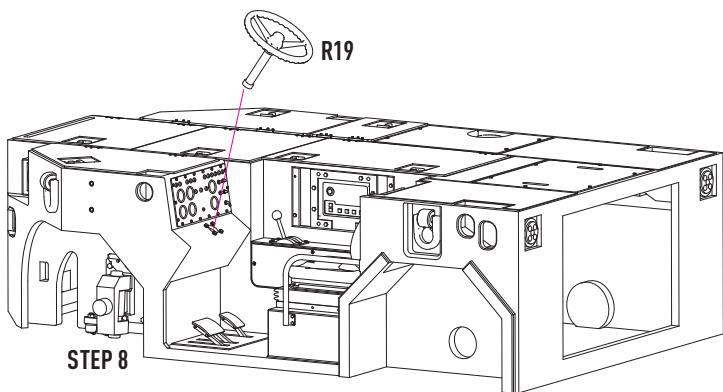
STEP 6



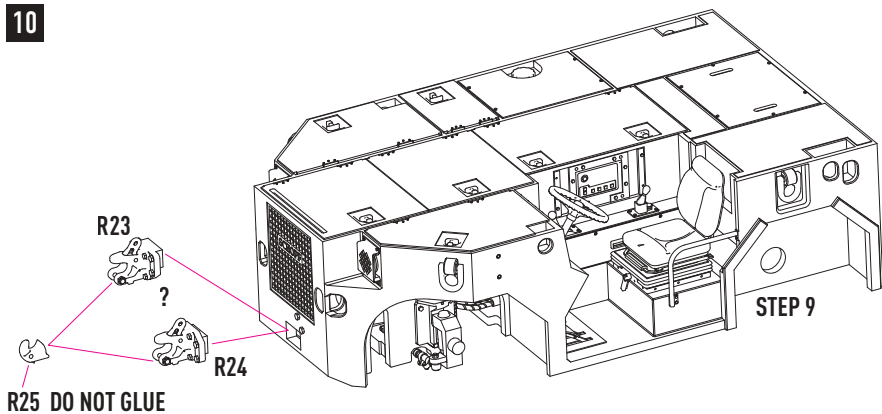
8



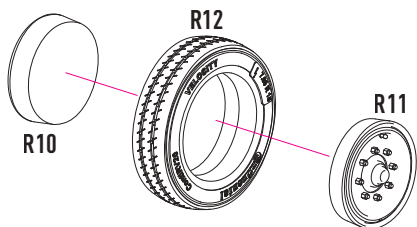
9



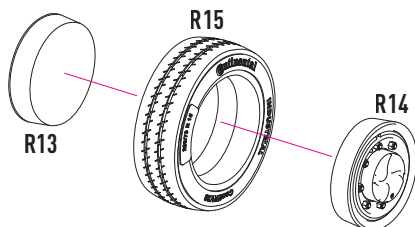
10



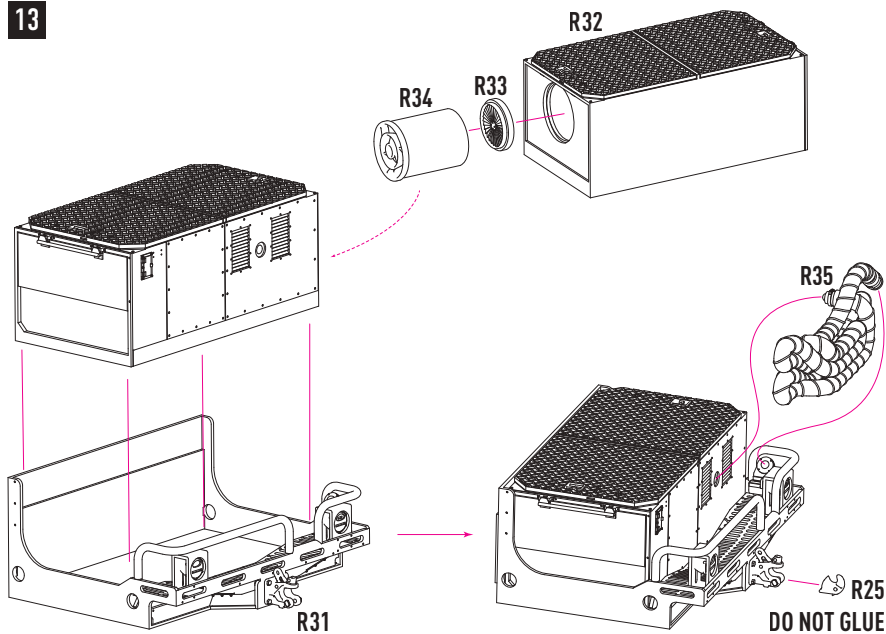
**11** X2 FRONT WHEELS



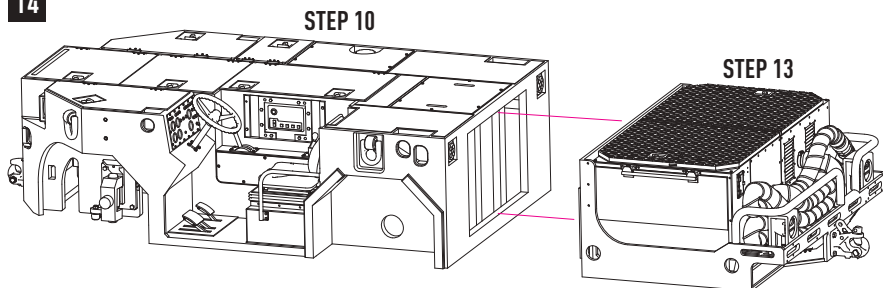
**12** X2 REAR WHEELS



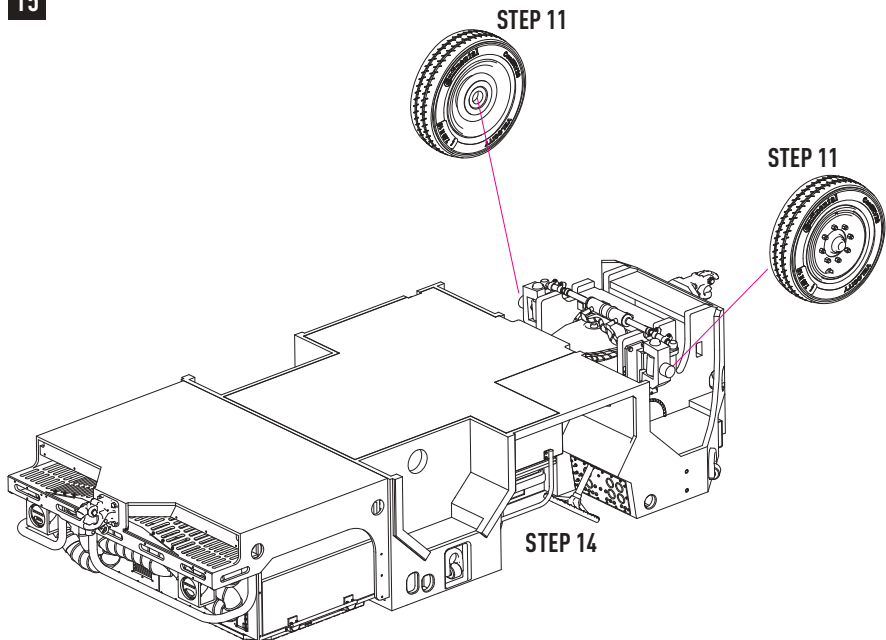
**13**



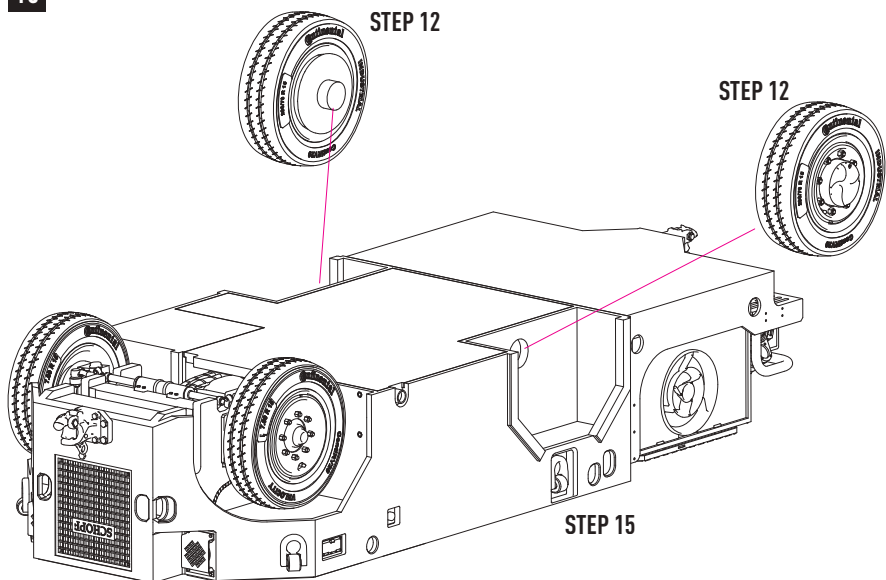
**14**

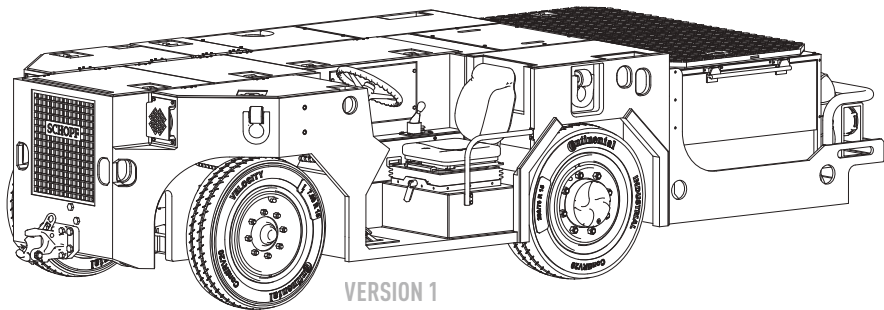


15

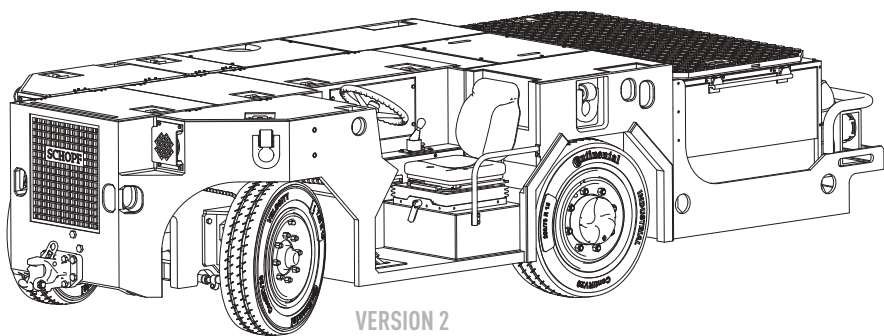


16



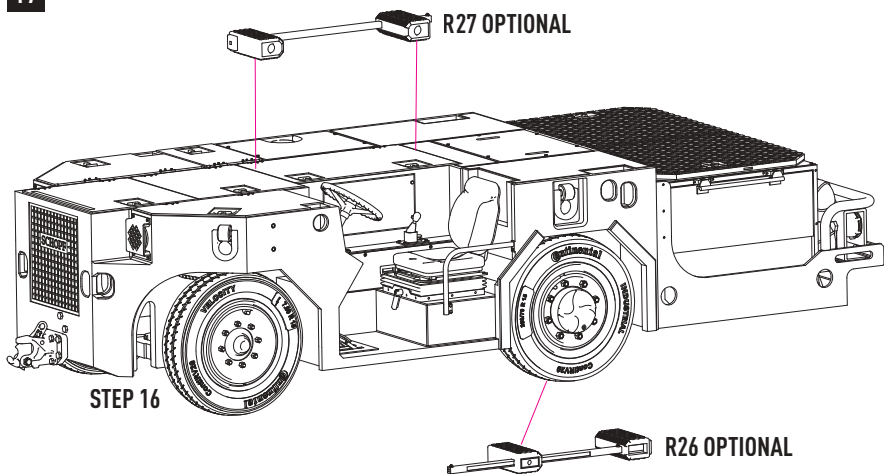


VERSION 1



VERSION 2

17

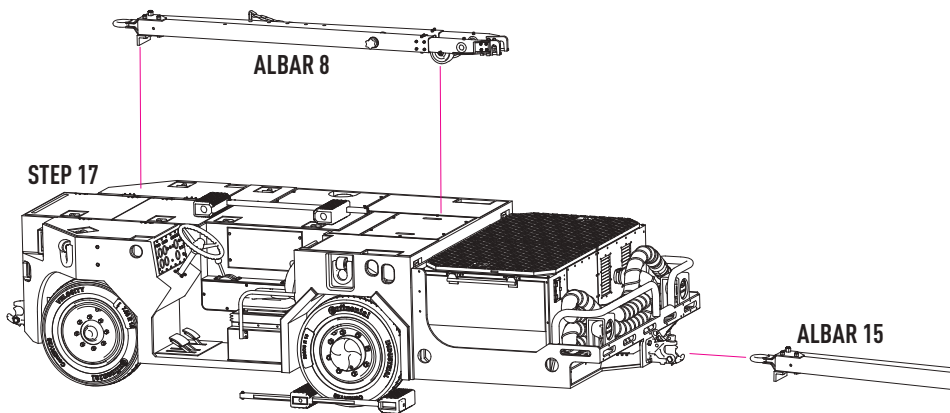
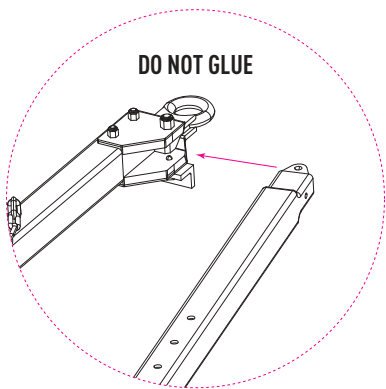
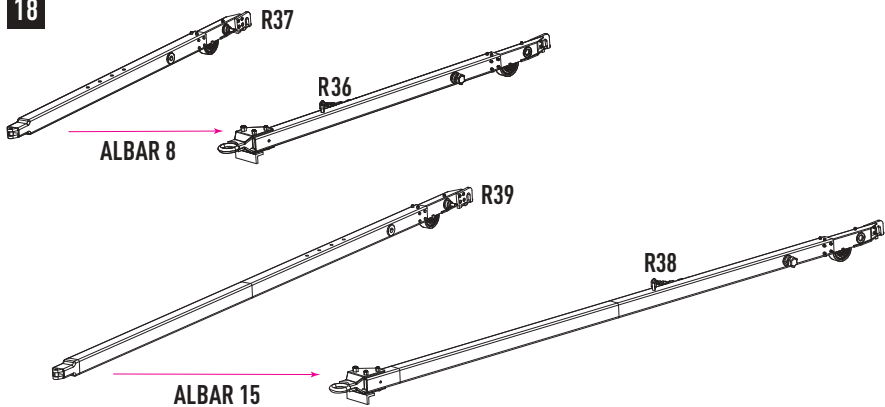


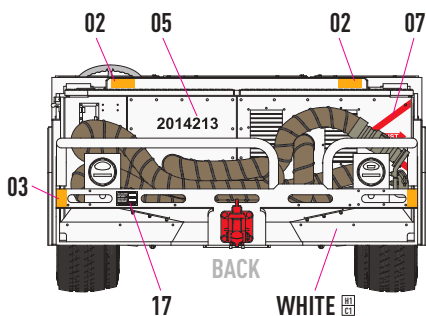
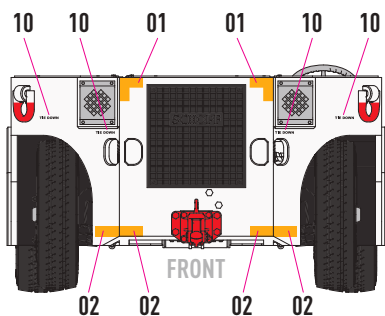
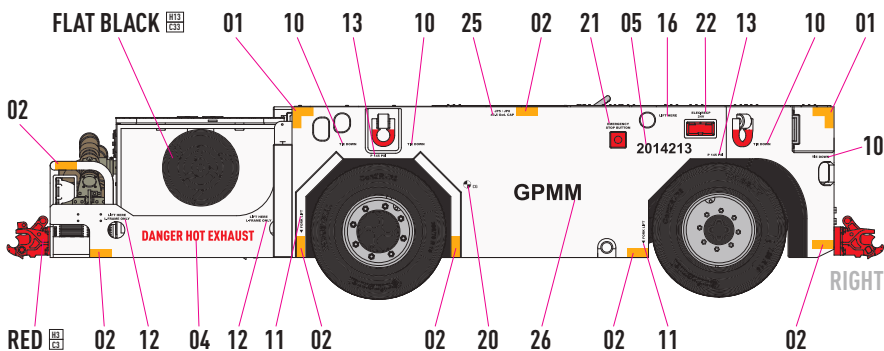
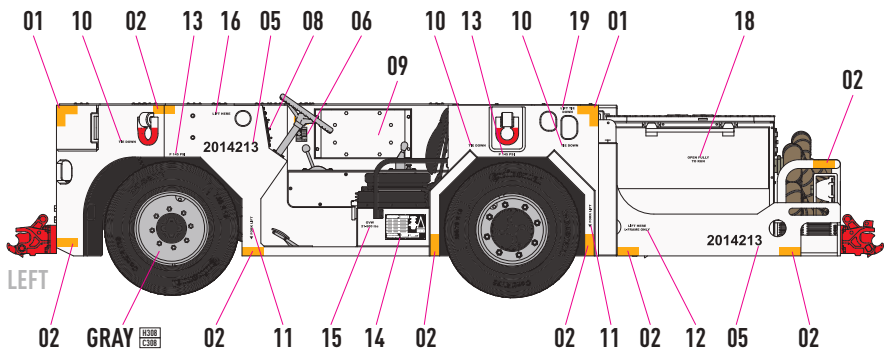
STEP 16

R26 OPTIONAL



18





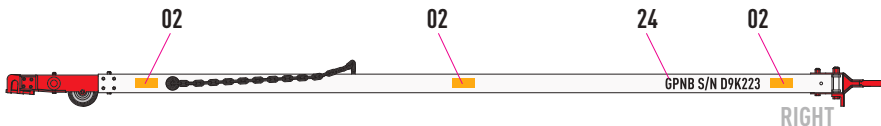
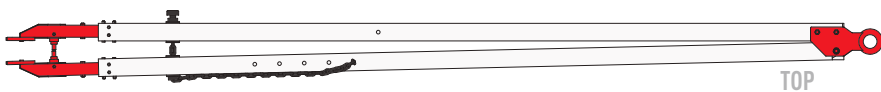
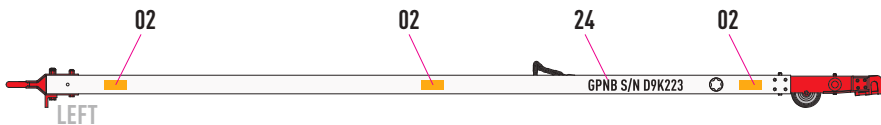
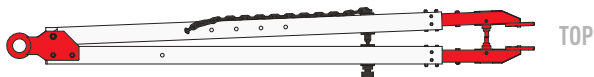
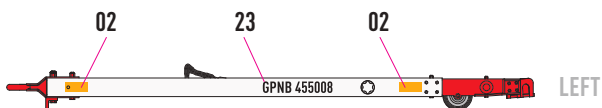
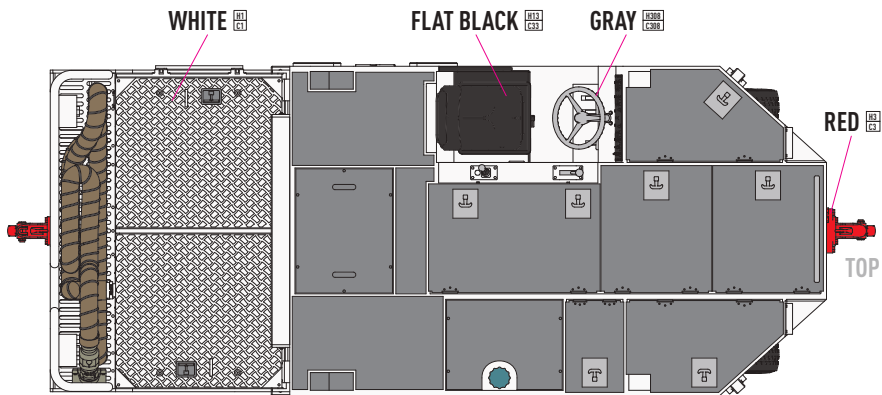
INSTRUMENT PANEL MSU 200 NAV



COLOR	SGINZE / ADEOUS	GUNZE / MR.COLOR
WHITE	H1	C1
GRAY	H308	C308

COLOR	SGINZE / ADEOUS	GUNZE / MR.COLOR
RED	H3	C3
FLAT BLACK	H13	C33





YOU CAN FIND INSTRUCTIONS  
IN PDF FORMAT ON THE WEBSITE

**RESKIT-MODELS.COM**

General Issues: [info@reskit.com.ua](mailto:info@reskit.com.ua)

Wholesales: [sales@reskit.com.ua](mailto:sales@reskit.com.ua)

Claim Resolution: [claims@reskit.com.ua](mailto:claims@reskit.com.ua)