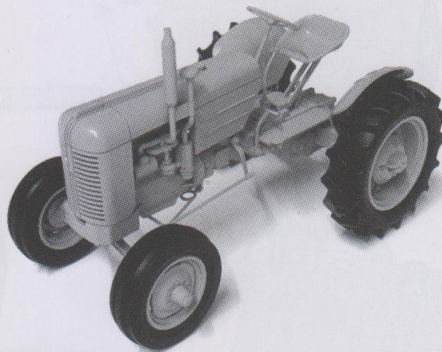
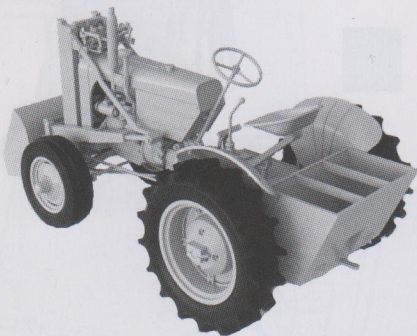


35007

產品編號: 35007

scale 1/35

1:35 比例



4 in 1 kit

US Army Tractor and Loader

US Army Armored Tractor and Loader

Go through this assembly guide and understand it before you start kit assembly

Use usual plastic kit's cements and tools (not included in the kit)

Follow painting guide supplied, use only hobby paints

Work carefully with photo etched parts if included, use C/A glues to assemble them

請您在組裝此產品前仔細閱讀組裝指南;

請使用通用塑膠模型黏合劑和工具(本產品不附帶);

本產品所以提供的噴塗指南只適用本於模型;

如果本產品含有蝕刻套件,請小心仔細處理,請使用C/A膠水組裝;



cut/remove

切下 / 移除



drill hole

鑽孔



no glue

不適用膠水



bend

折彎

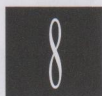


cyanoacrylate glue 氰基丙烯酸酯膠水



string or wire

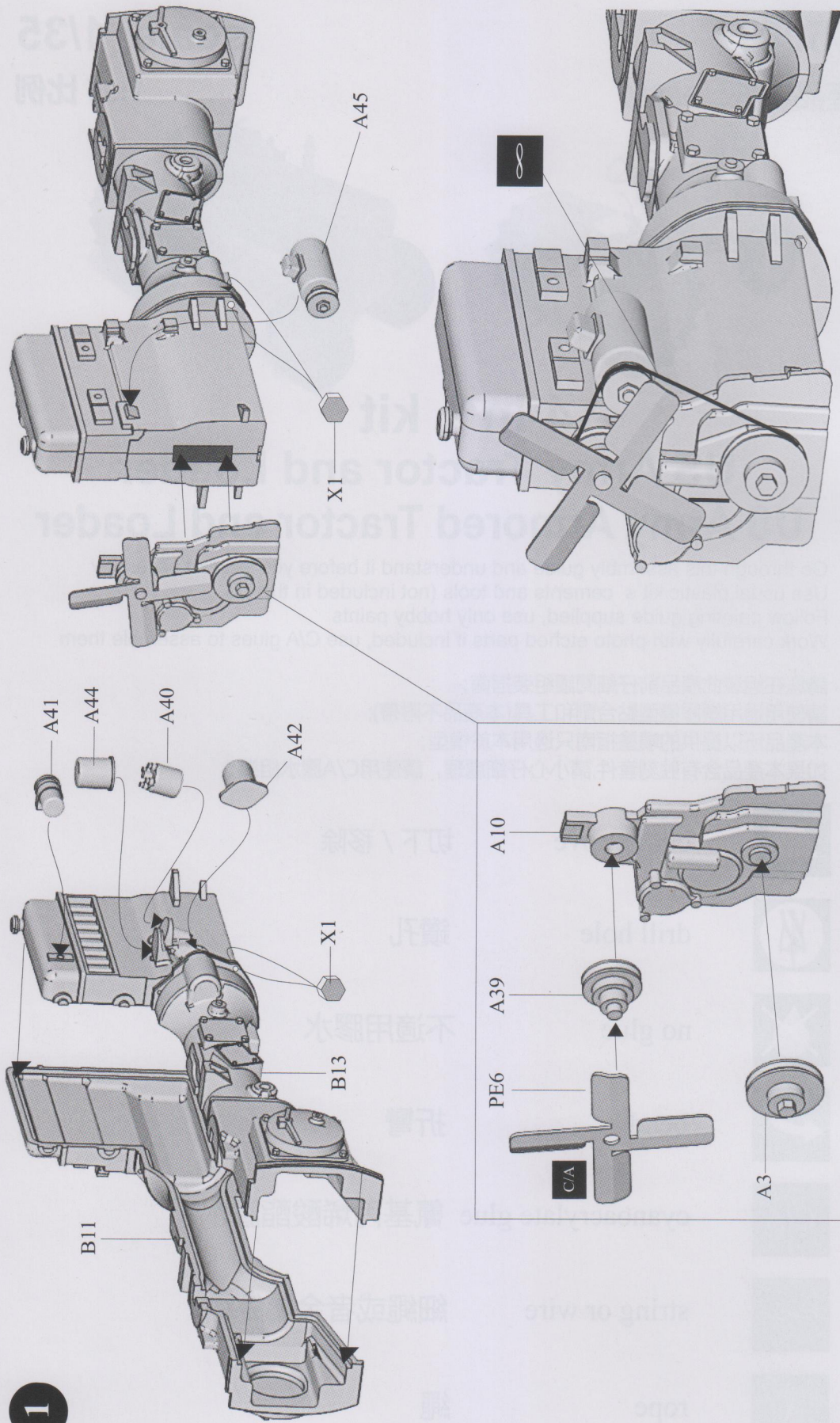
細繩或者金屬絲線



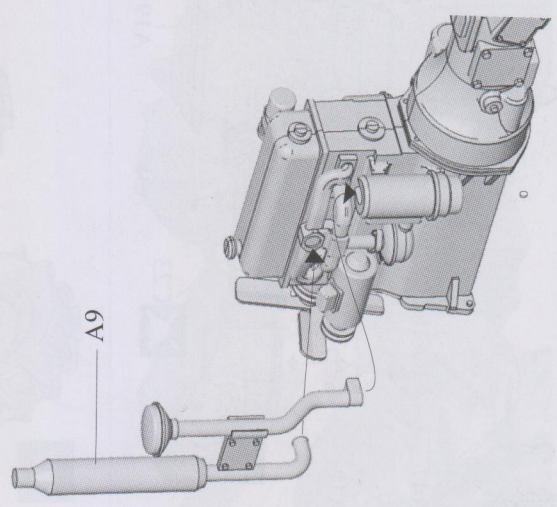
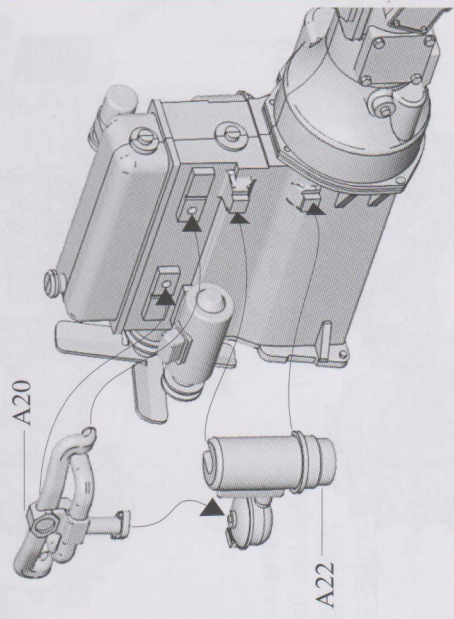
rope

繩

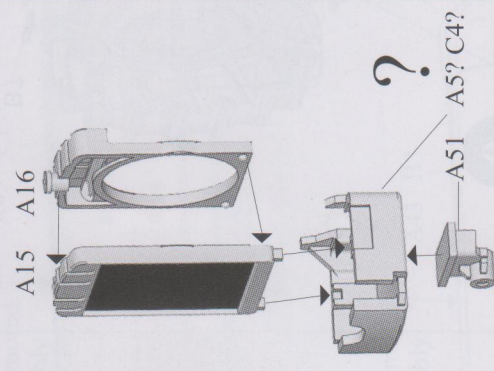
1



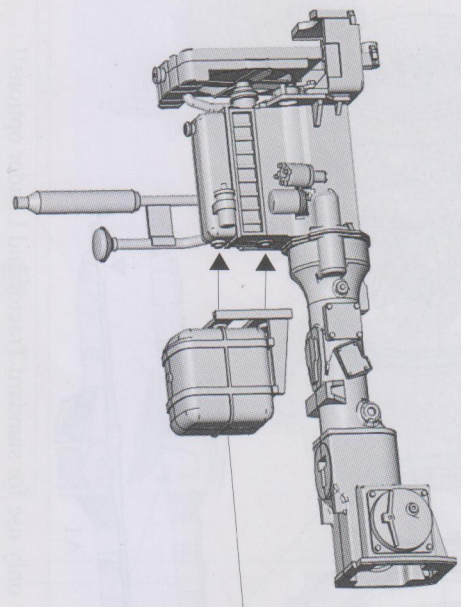
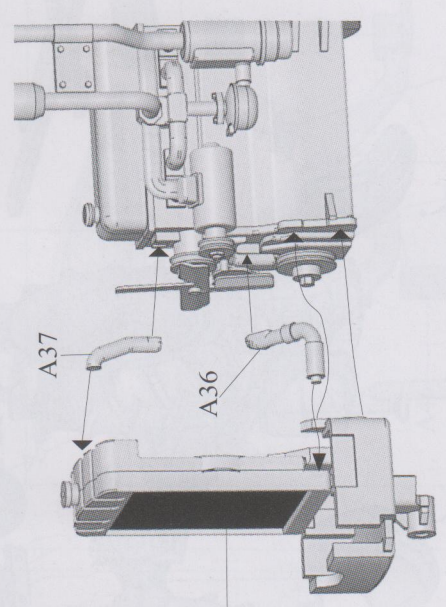
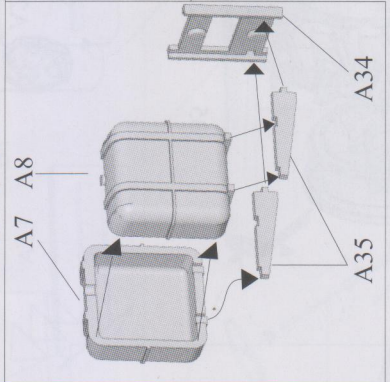
2



3

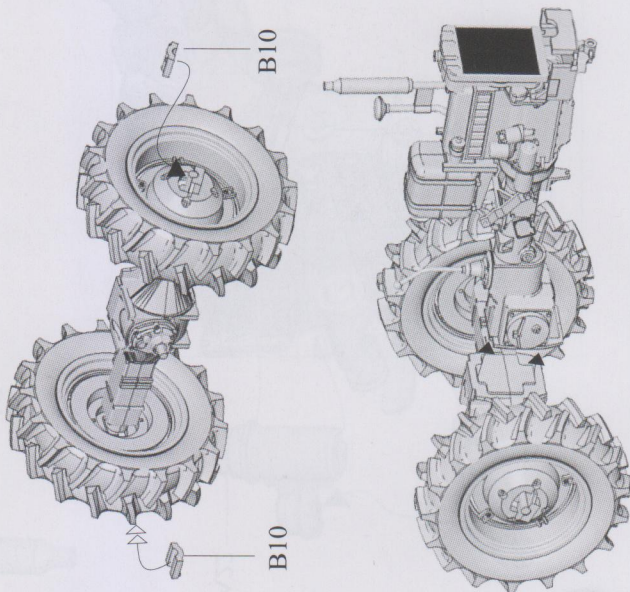
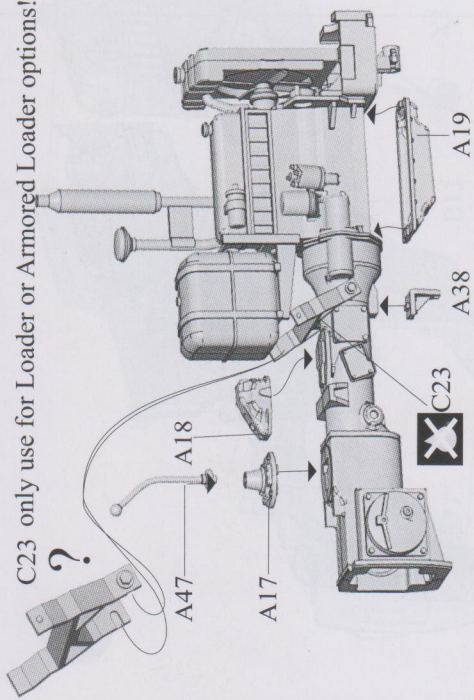


A51 A5? C4?
 use A5 for tractor or C4 for loader variant!!

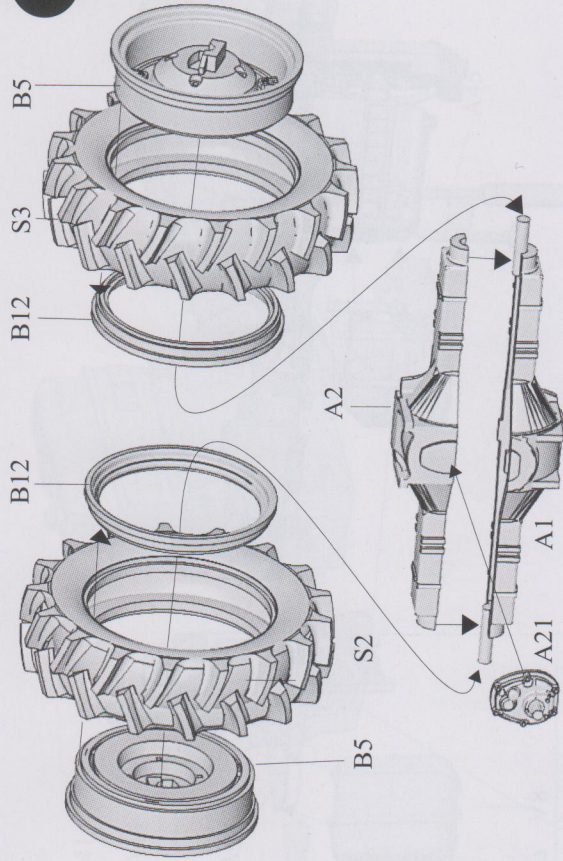


C23 only use for Loader or Armored Loader options!!

4

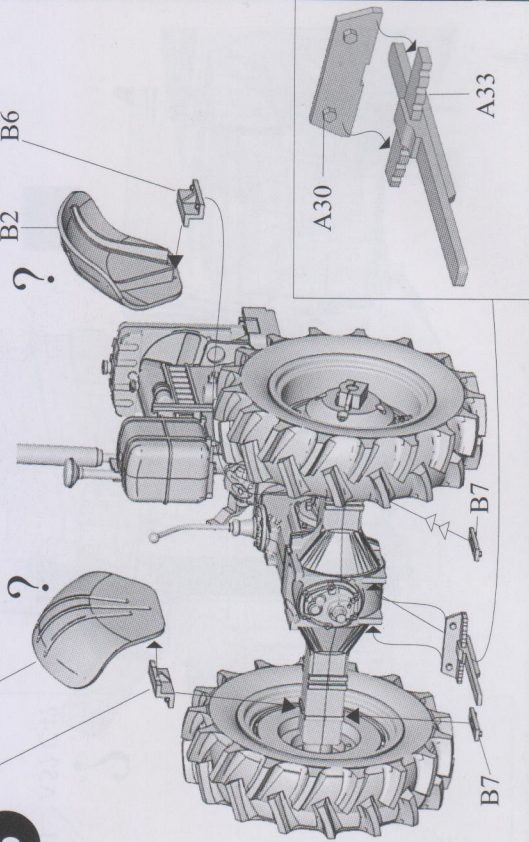


5

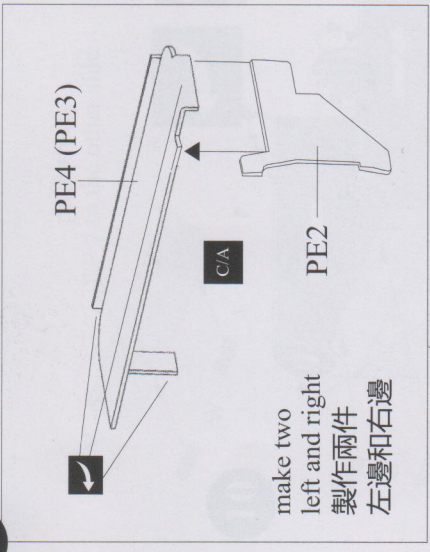


B2 only use for standard Tractor and Loader options!!

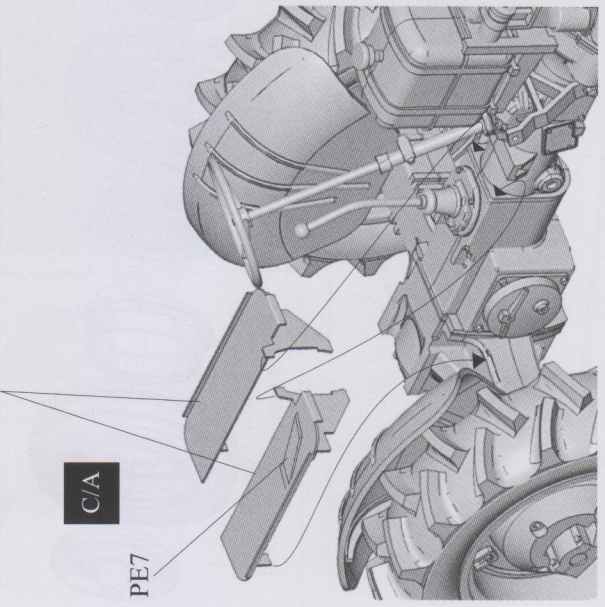
6



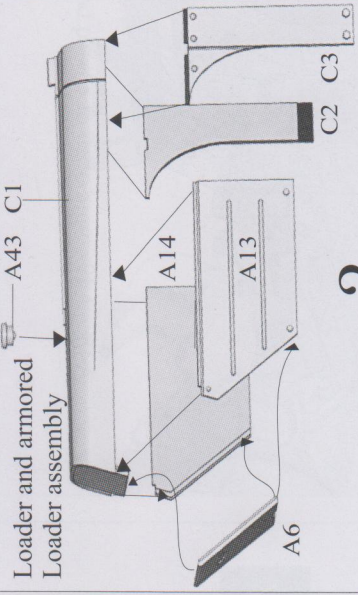
7



make two
left and right
製作兩件
左邊和右邊

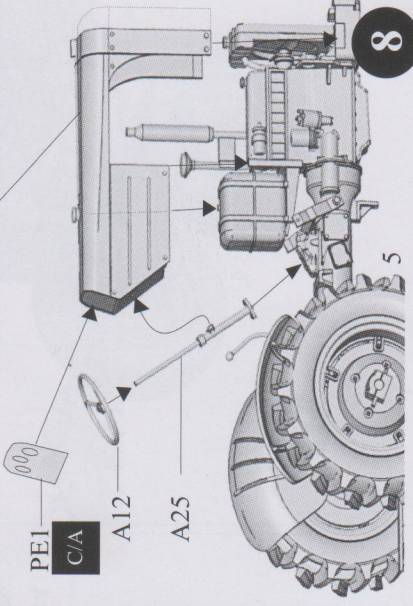
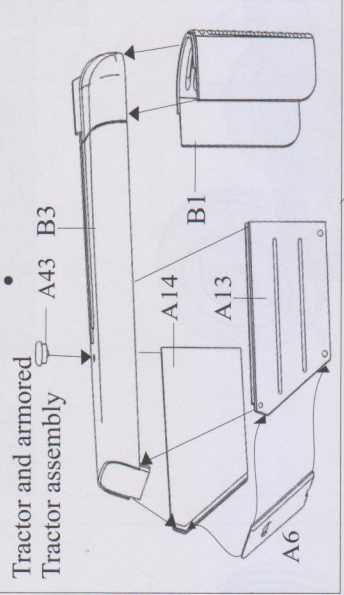


Loader and armored
Loader assembly



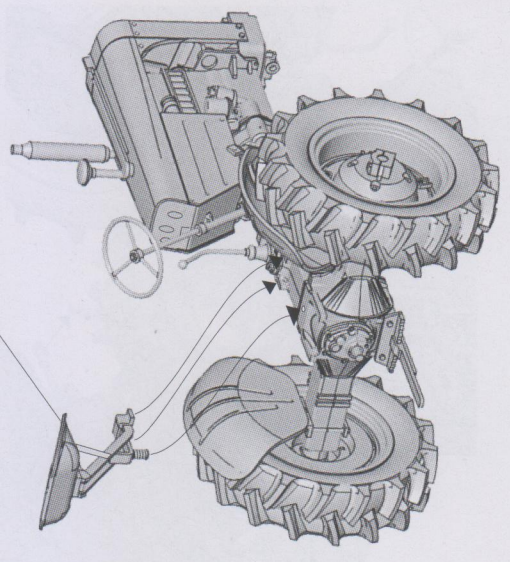
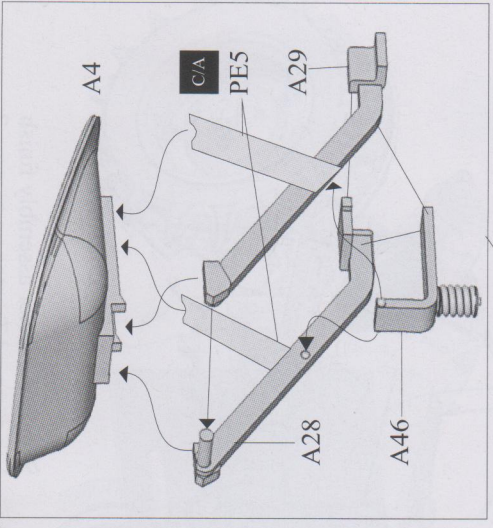
?

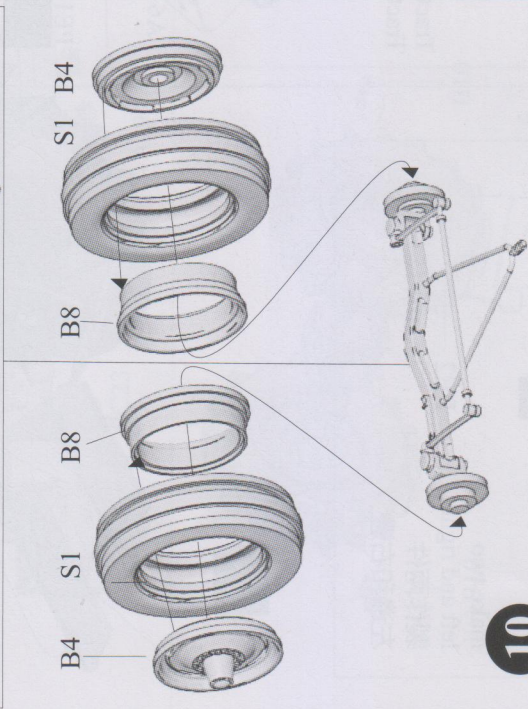
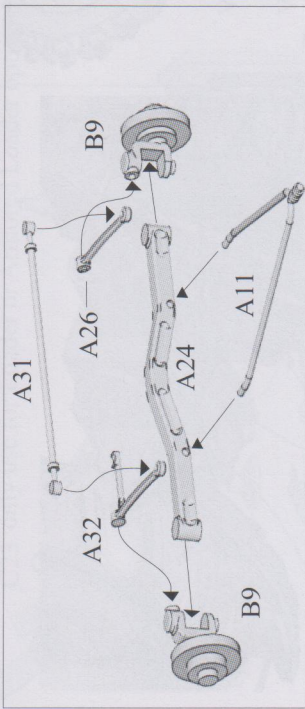
Tractor and armored
Tractor assembly



8

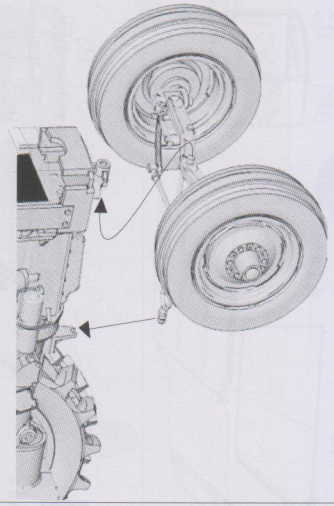
9



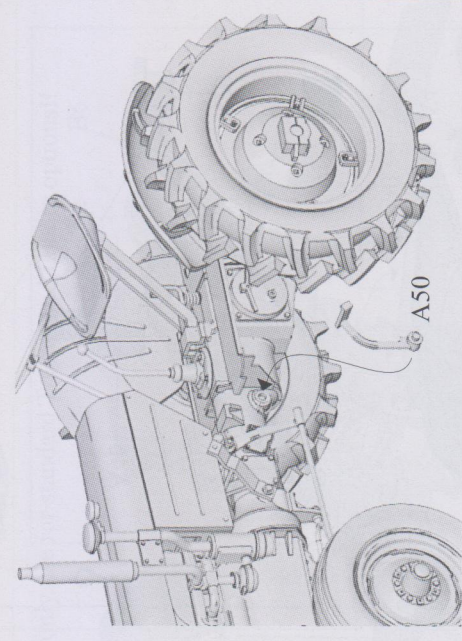
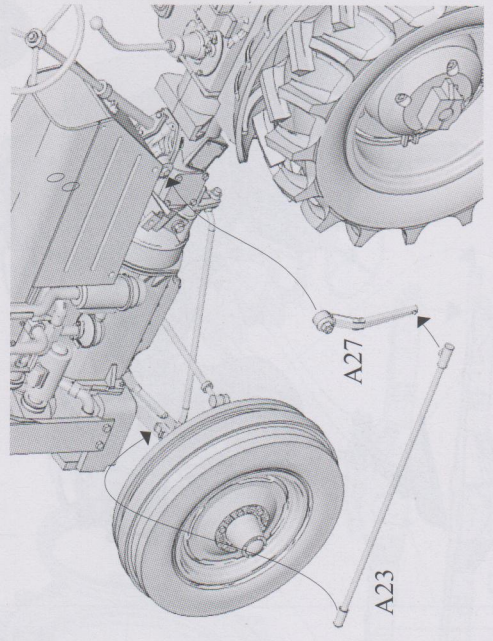


10

11

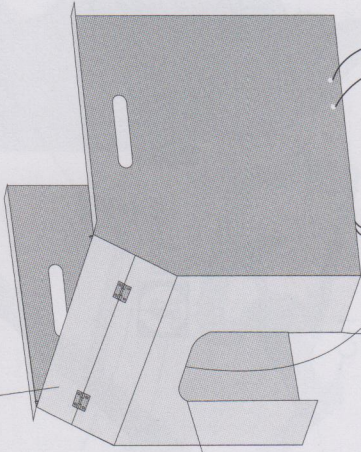


6

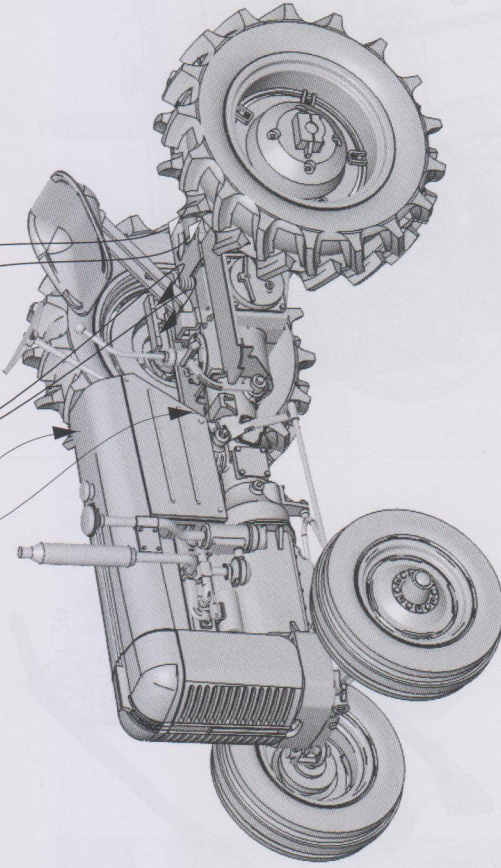


Standard Tractor assembly finish
 For armored Tractor go to page 7
 For Loader variants go to page 8

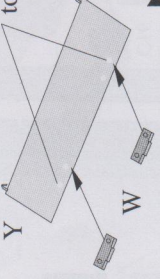
can assemble open or closed position



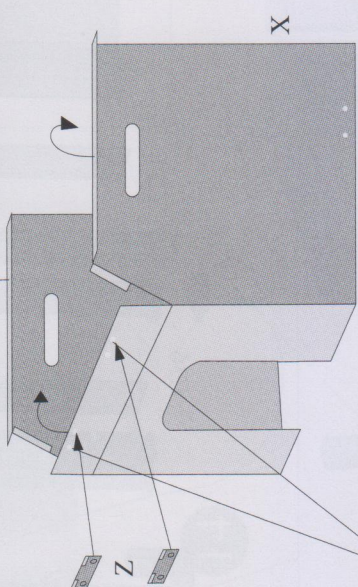
C/A



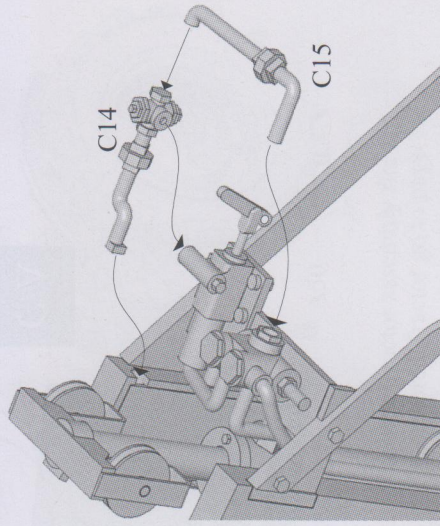
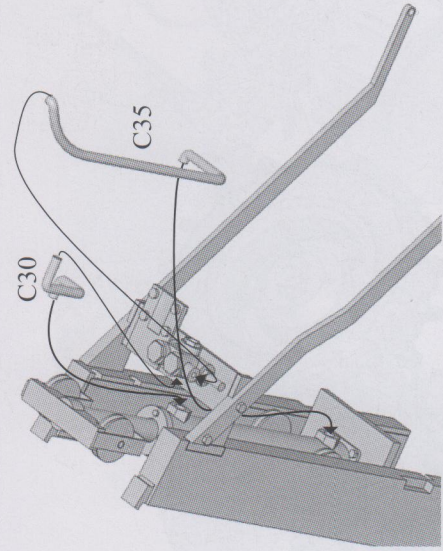
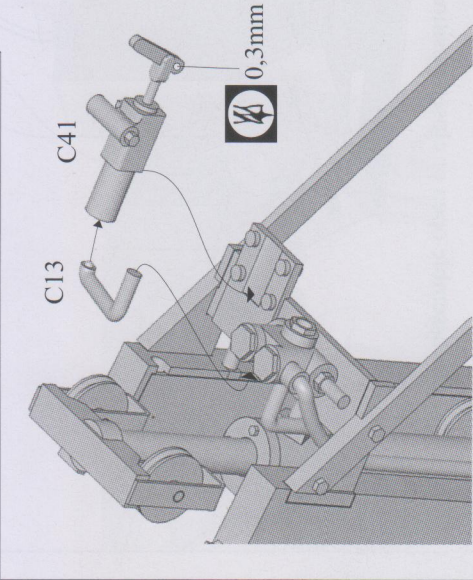
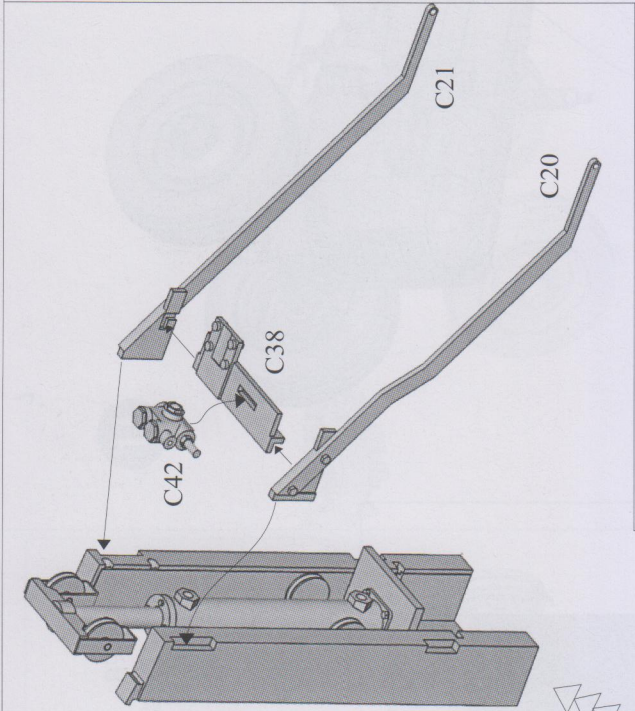
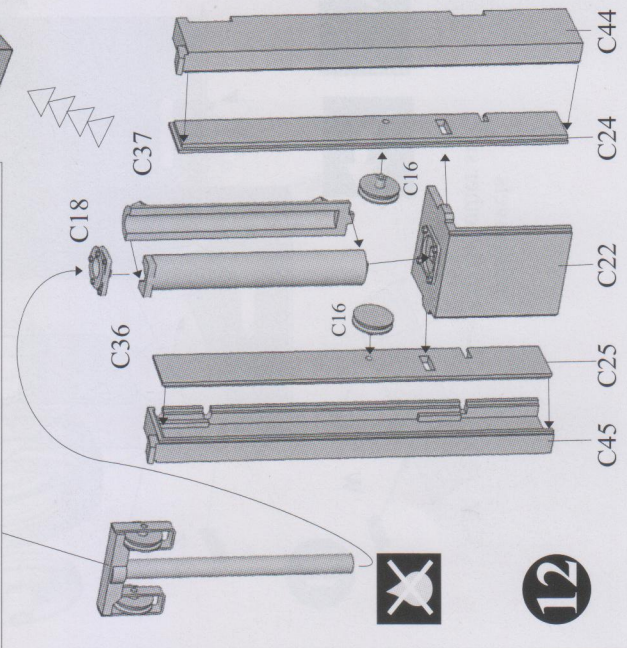
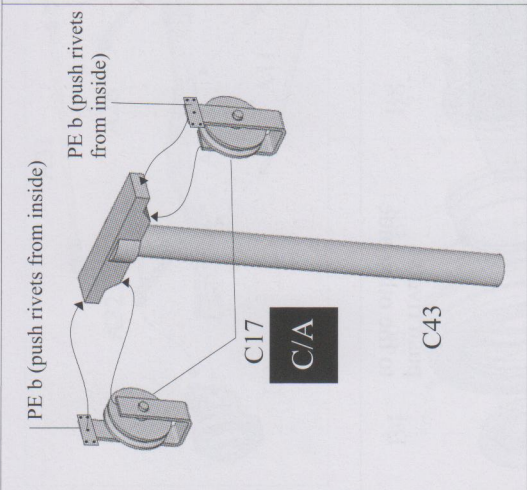
push rivets
to the other side



C/A

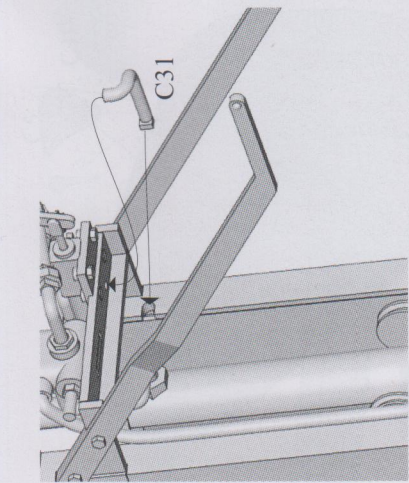
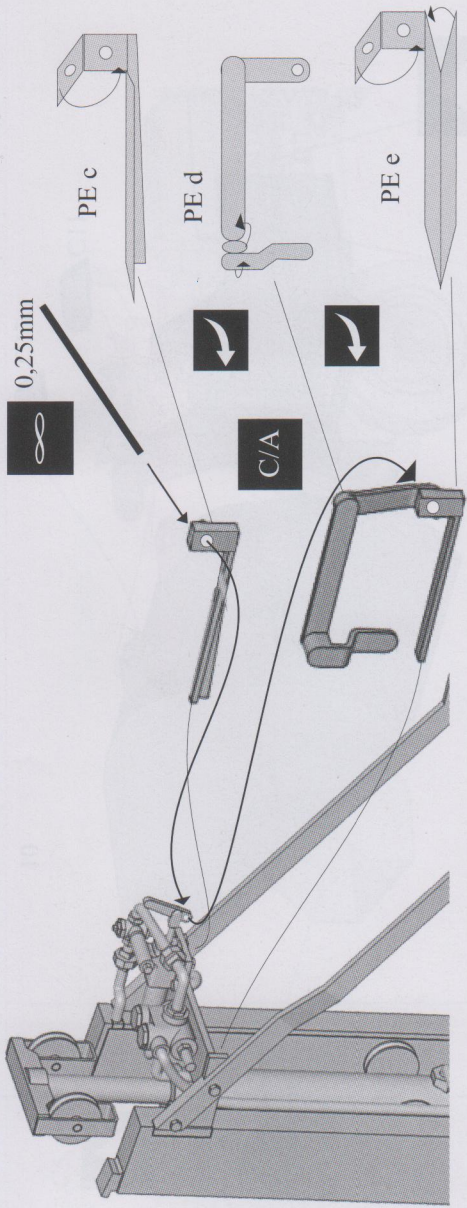


push rivets
to the other side

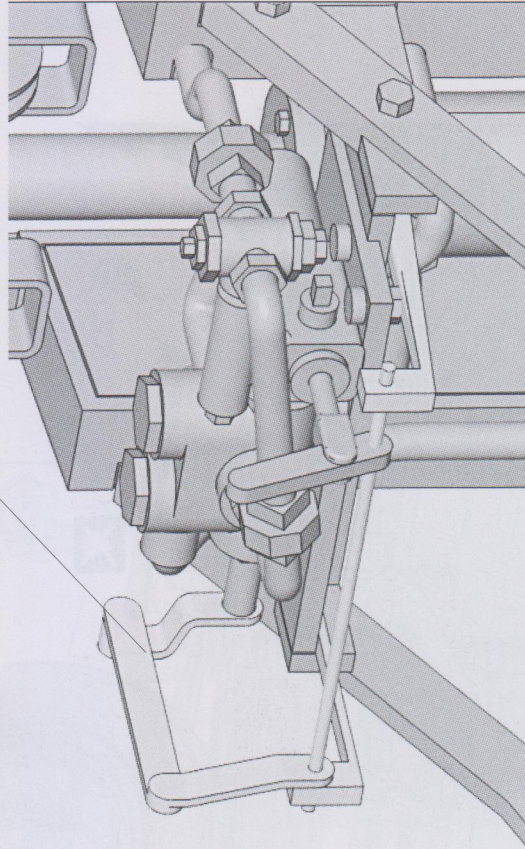
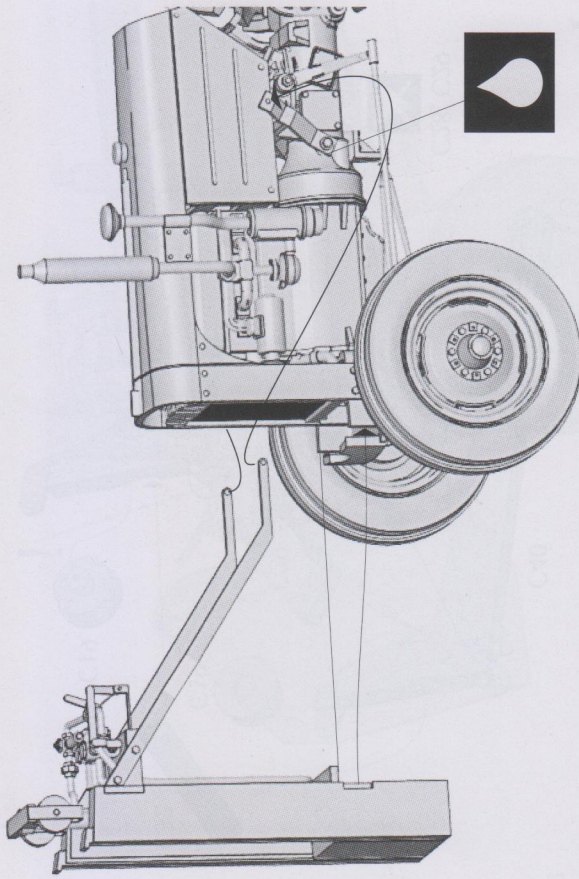


13

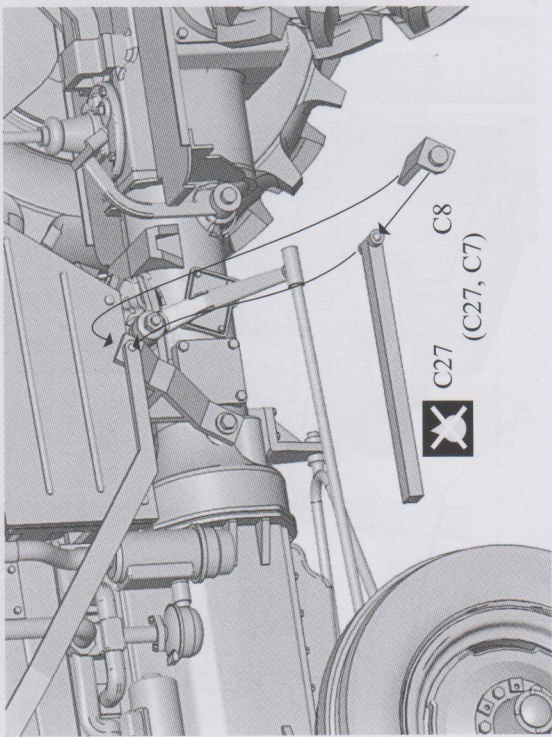
12



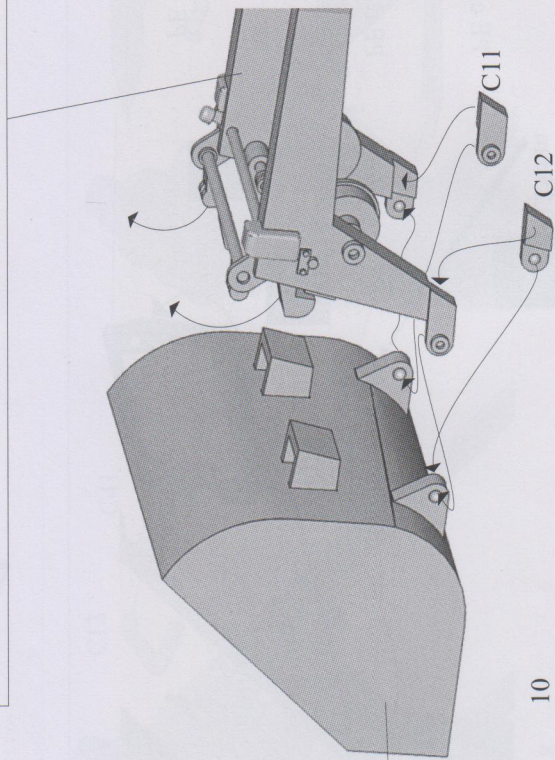
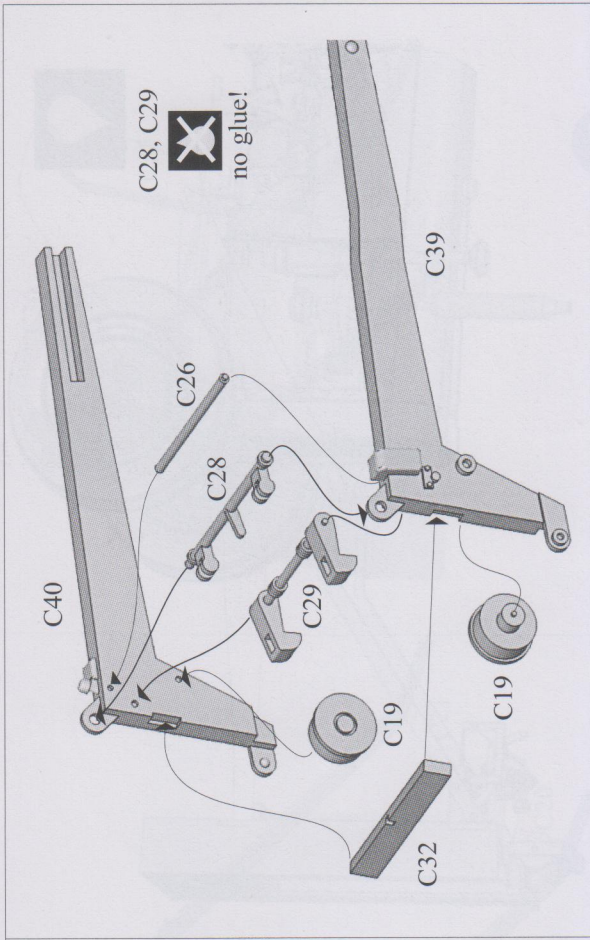
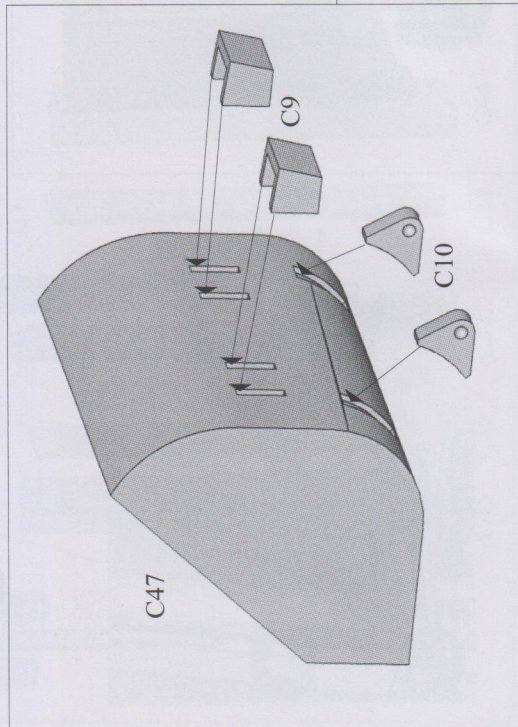
14



9



15

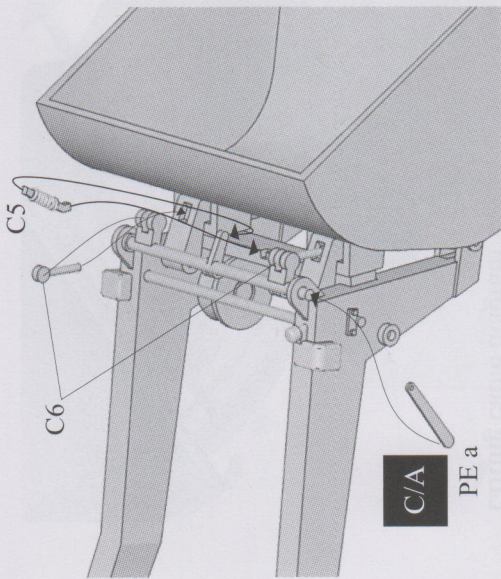


10

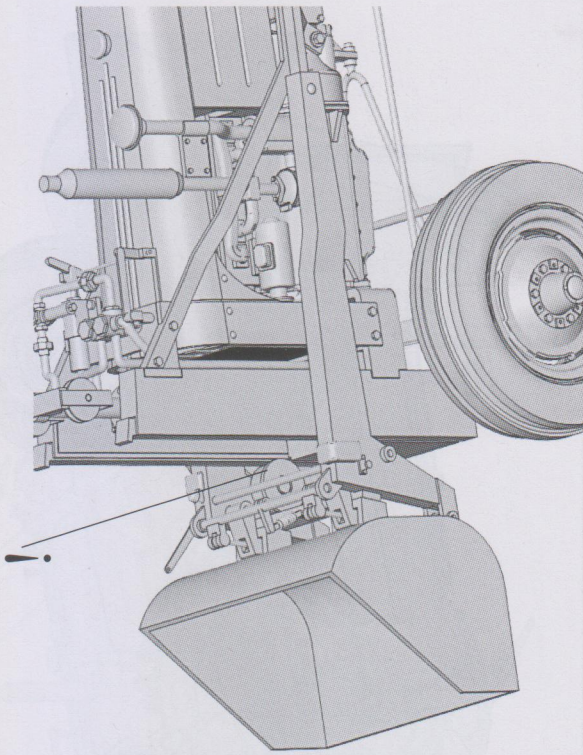
C5, C6



do not glue
C5, C6 until
you set blade
in position
you want

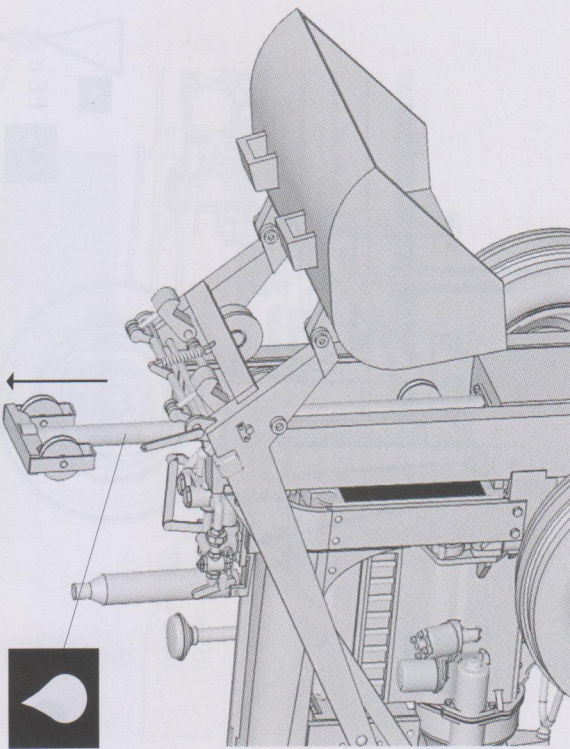


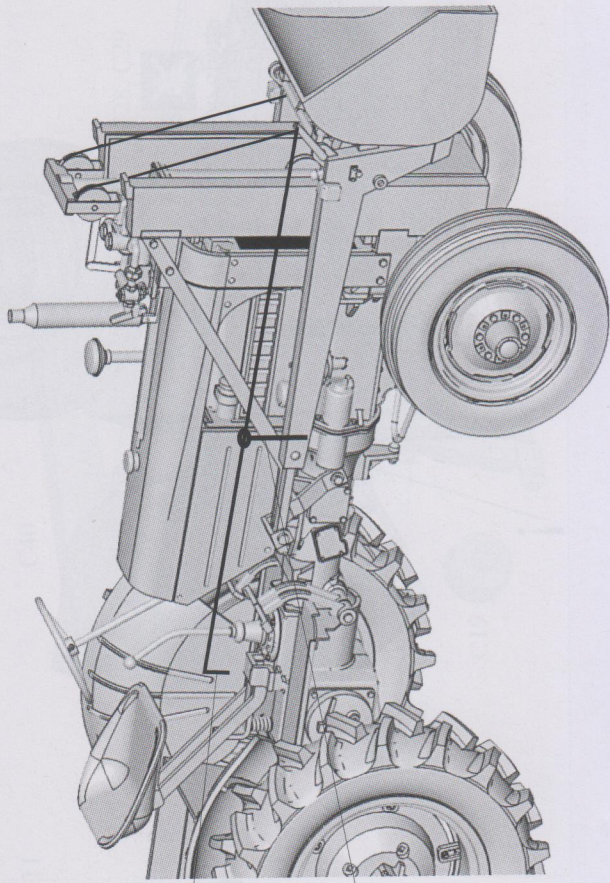
16



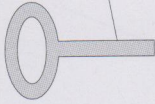
?

11





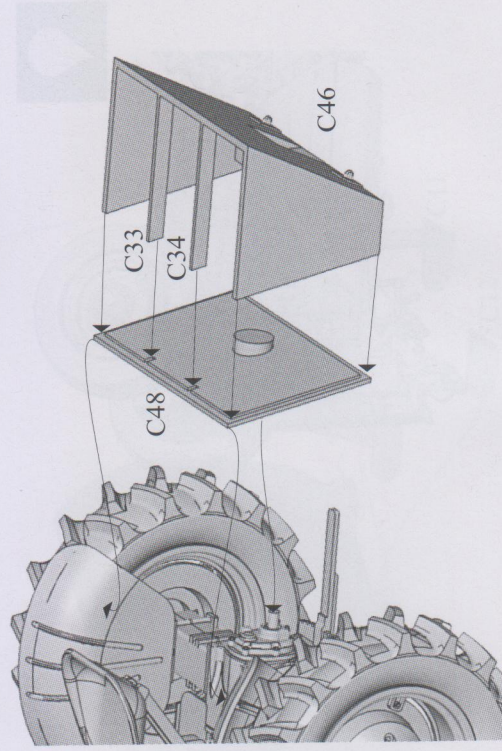
0,25 mm



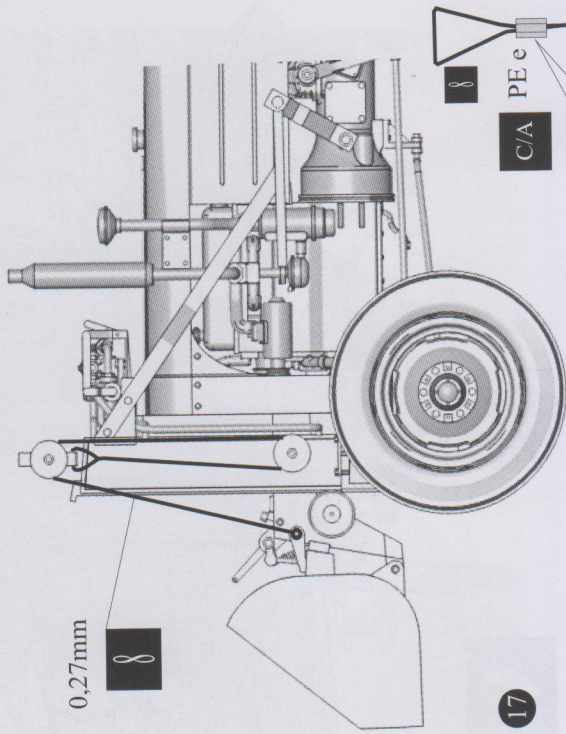
PE f

C/A

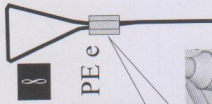
18



12



0,27mm

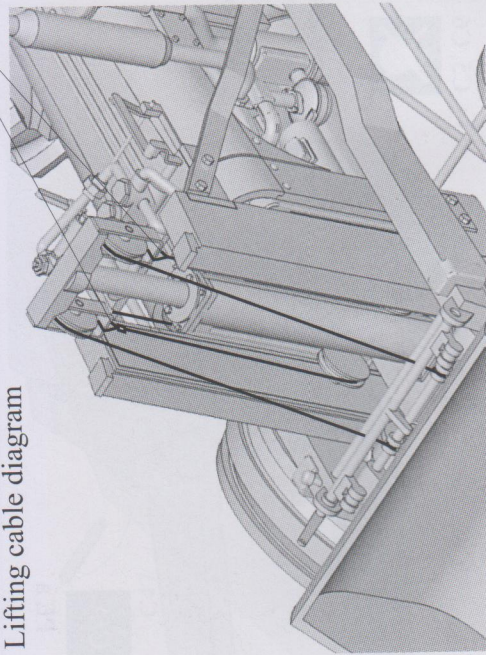


PE e

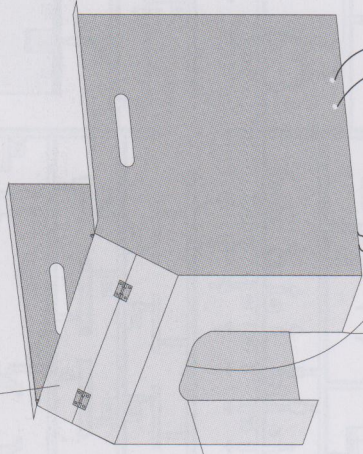
C/A

17

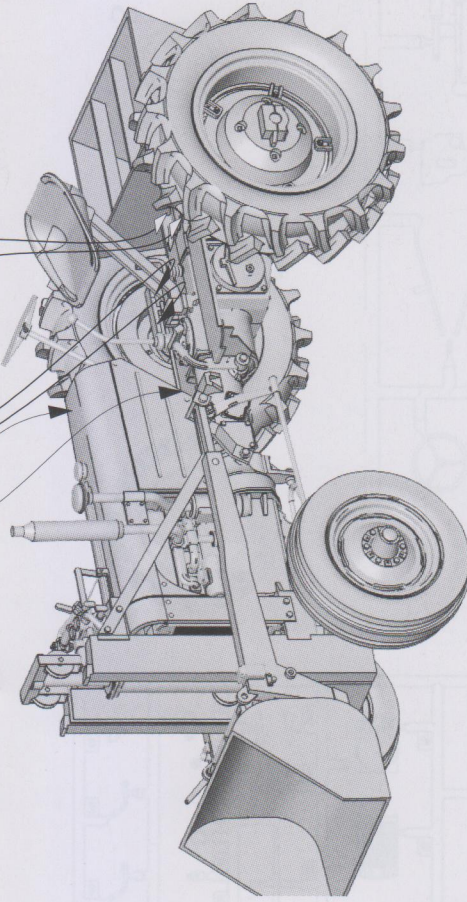
Lifting cable diagram



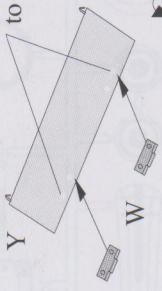
can assemble open or closed position



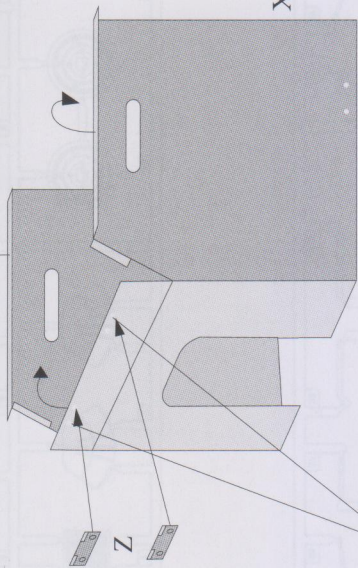
C/A



push rivets
to the other side

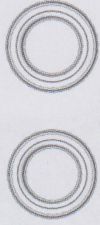
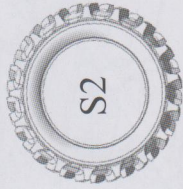
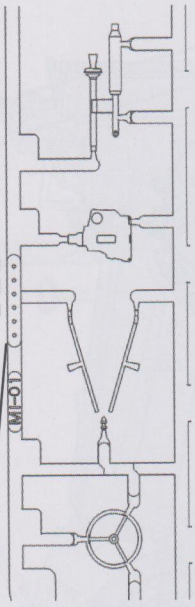


C/A

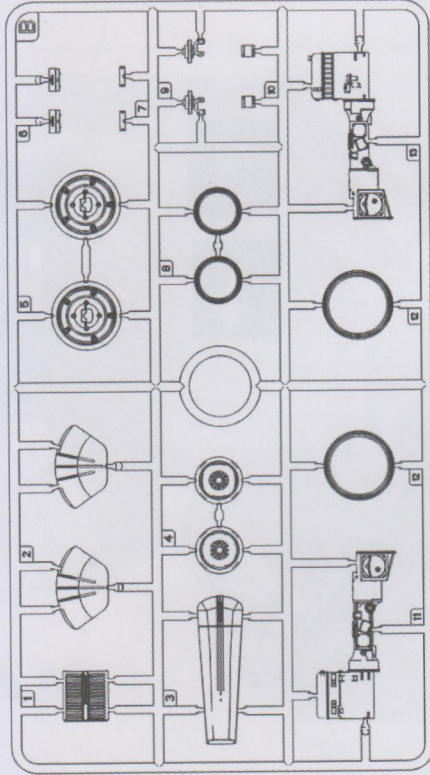
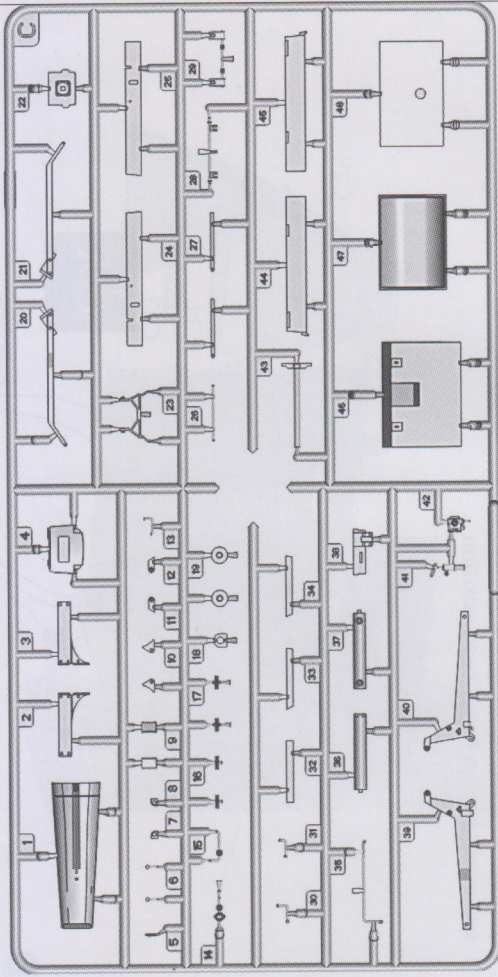
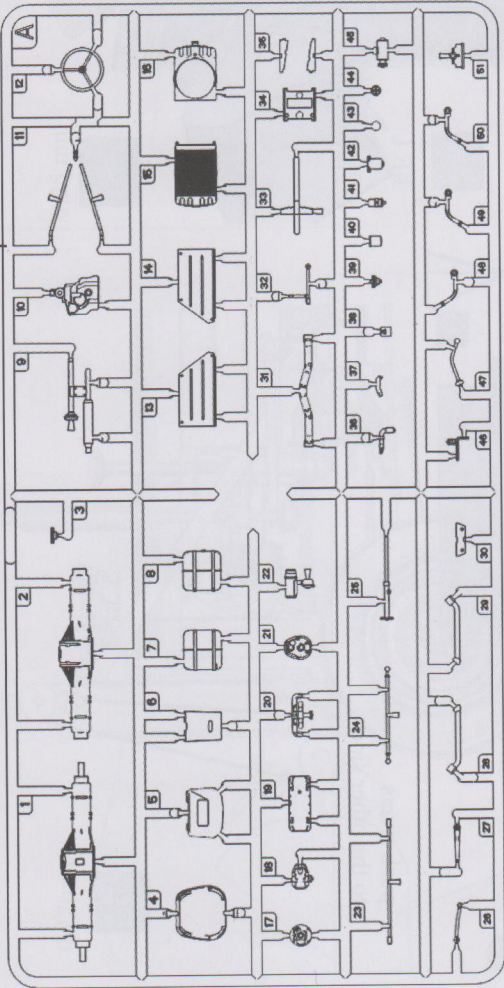


push rivets
to the other side

X1



S1



Color info and profiles by



Painting and Marking Guide

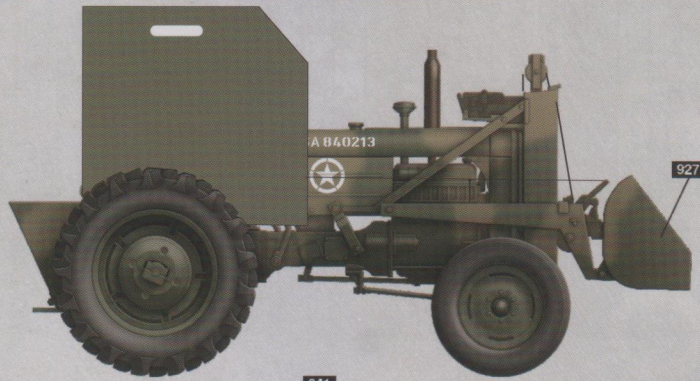
A.MIG 033 Rubber & Tires

A.MIG 041 Dark Rust

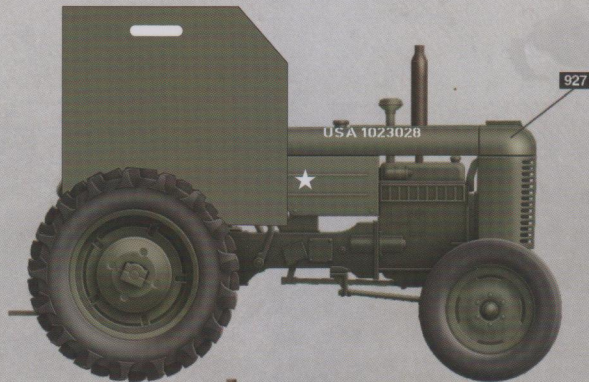
A.MIG 059 Grey

A.MIG 067 IDF Sinai Grey 73

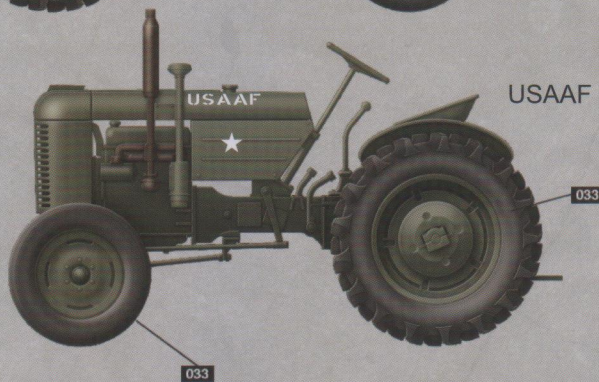
A.MIG 927 Olive Drab Light Base



engineering unit
Europe 1944



instruments
placement
on black
background



USAAF service



Color info and profiles by



US ARMY TRACTOR

TM 35001

Painting and Marking Guide

XX

A.MIG 033 Rubber & Tires	A.MIG 042 Old Rust	A.MIG 129 Orange
--------------------------	--------------------	------------------



civilian option

