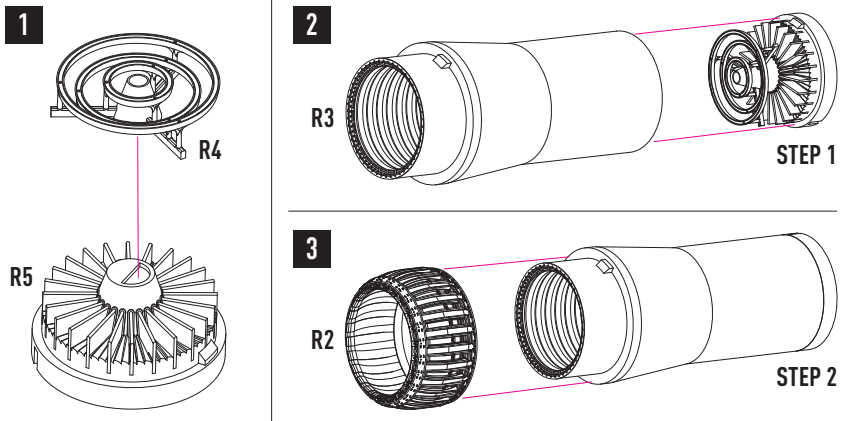
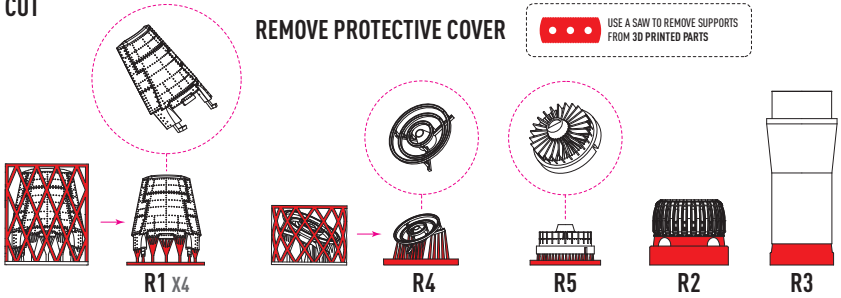
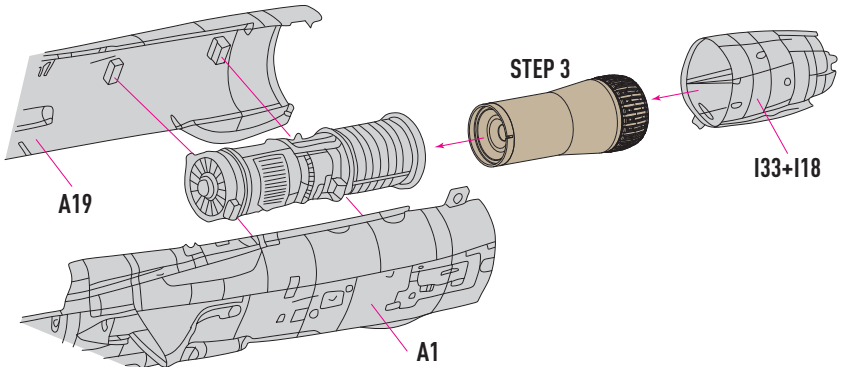


CUT



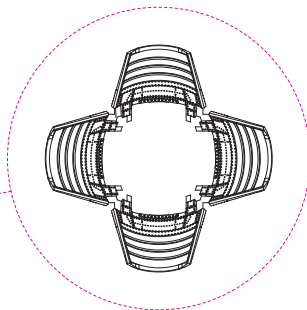
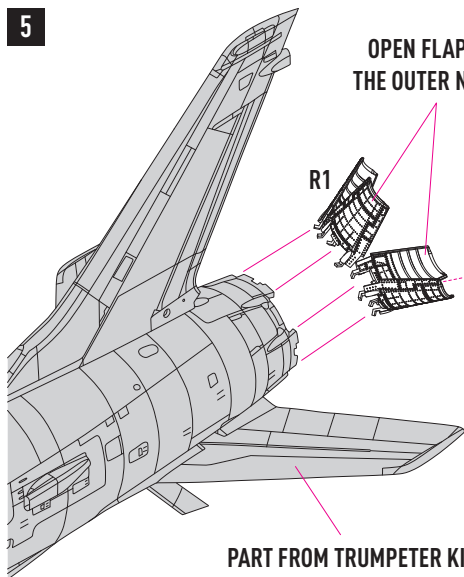
4 STEP 17 FROM TRUMPETER KIT INSTRUCTION



5

OPEN FLAPS OF
THE OUTER NOZZLE

FRONT VIEW

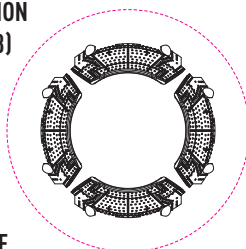
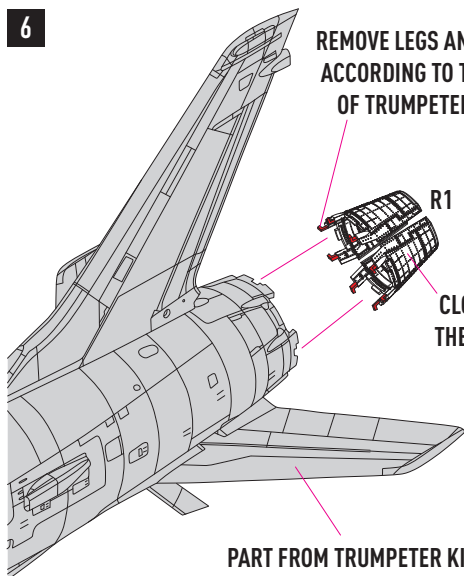


PART FROM TRUMPETER KIT

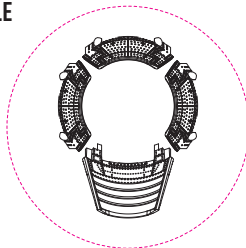
6

REMOVE LEGS AND INSTALL FLAPS
ACCORDING TO THE INSTRUCTION
OF TRUMPETER KIT (STEP 33)

FRONT VIEW



CLOSED FLAPS OF
THE OUTER NOZZLE



PART FROM TRUMPETER KIT