

RAAF F/A-18A

Hornet "Operation Okra"



RAAF F/A-18A Hornet "Operation Okra"

On the beginning of the 1980's Royal Australian Air Force was looking for option to replace his older Mirage III fighters in service since 1963. After years of analysis, the RAAF announced in 1985 the contract to buy seventy-five F/A-18s. The first two aircraft were produced in the US, with the remainder assembled in Australia at Government Aircraft Factories.

In 2003 14 Hornets flew Airborne Tanker protection patrols over Iraq, as well as Close Air Support (CAS) sorties to assist ground forces. But his most important missions are conducted in 2015, when RAAF deployed six Hornets to the Middle East as part of Operation Okra. During the operation, RAAF F/A-18A's fly bomb missions using JDAM bombs.

The aircraft F/A-18A Hornet (A21-022) presented in this box is now part of The Memorial's collection on the Australian War Memorial. The aircraft was deployed to Operation Falconer in 2003 where it took part in 20 combat missions, including four operations in which ordnance was delivered. During Operation Okra in 2016–17 it flew more than 50 combat missions against ISIL targets in Iraq and Syria. It was retired on 9 June 2020 after more than 30 years in service, with 6,131.5 flying hours.

CAUTION

- *Read carefully and fully understand the instructions before commencing assembly.
- *Keep out of reach of children. Children must not be allowed to put any parts in their mouths, or pull plastic bag over their heads.
- *When using adhesives and paints, please make sure not to use them in closed room or near the fire.
- *When assembling this kit, tools including knives are used. Extra care should be taken to avoid injury.

WARNING: CONTAIN SMALL PARTS NOT FOR CHILDREN UNDER 14 YEARS OF AGE.



Drill



Remove



2 Set



Bend



Optional



Decal



Super Glue



Fill Hole



No Cement



Be Careful

TOOLS RECOMMENDED

Cement



Side Cutter

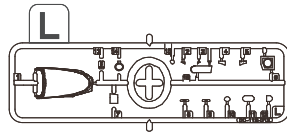
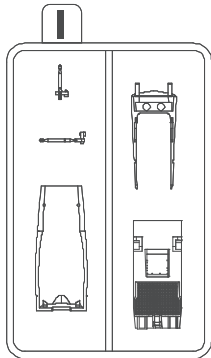
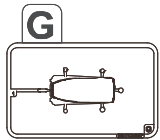
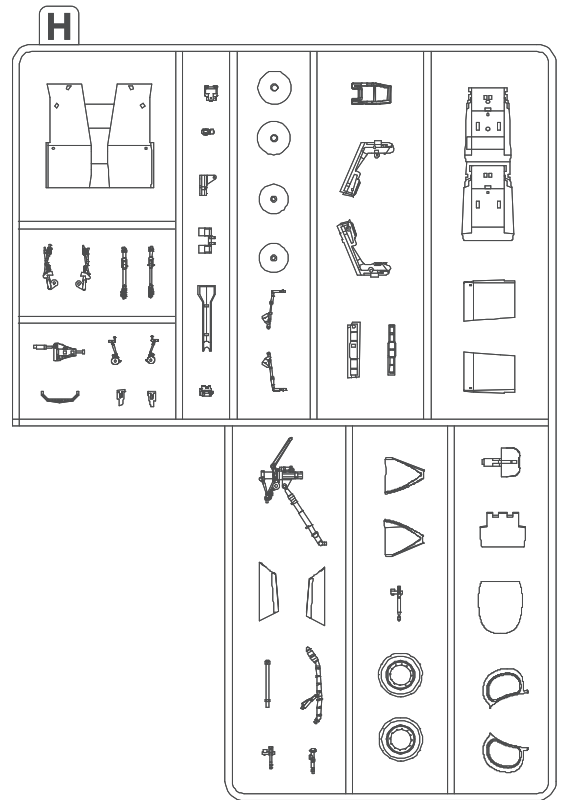
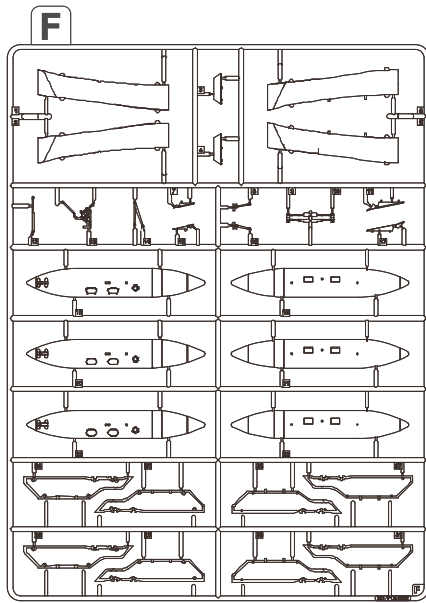
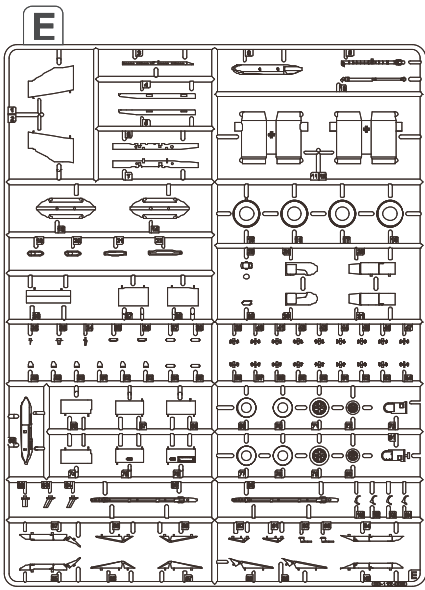
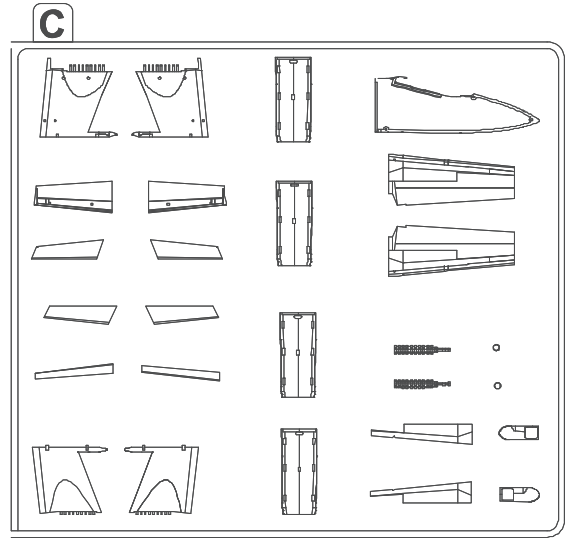
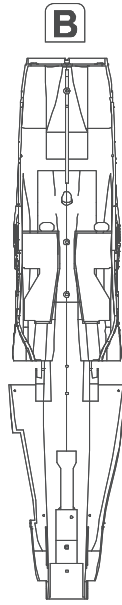
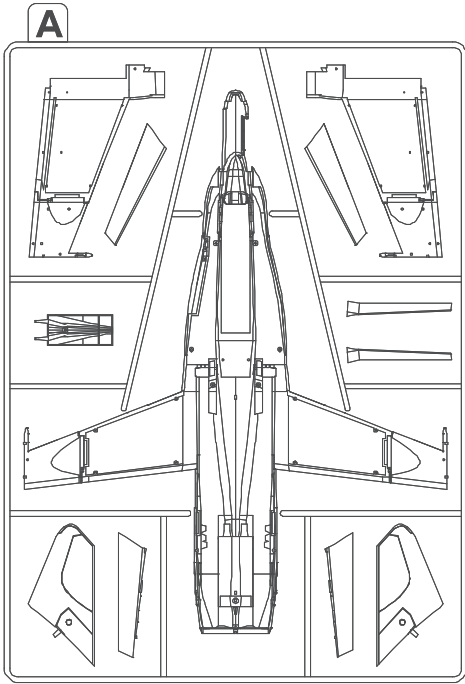


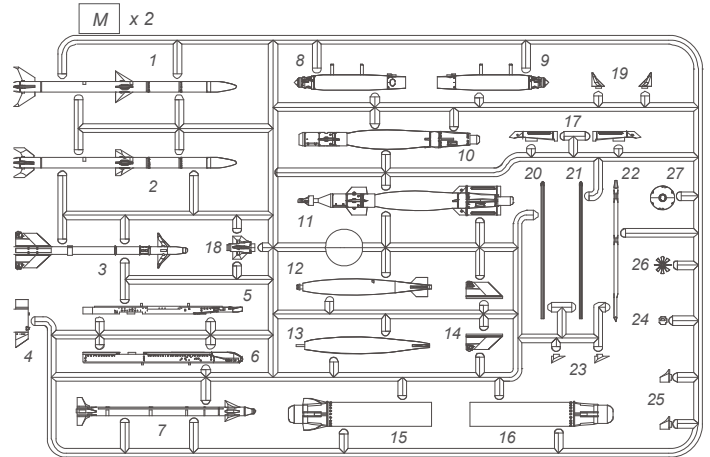
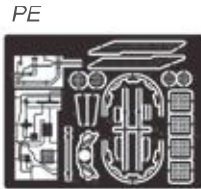
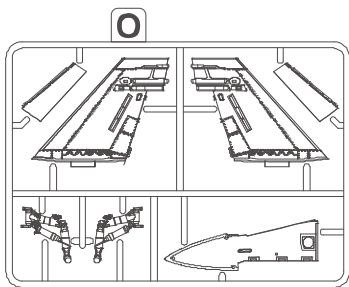
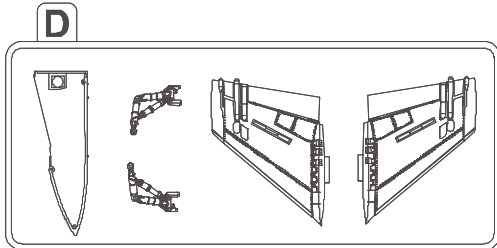
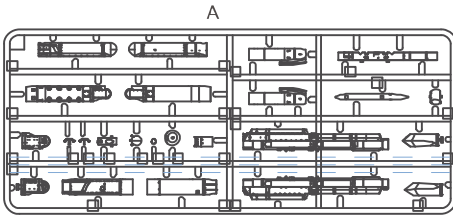
Modeling Knife



Tweezers







AFTERMARKET SERVICES CARD

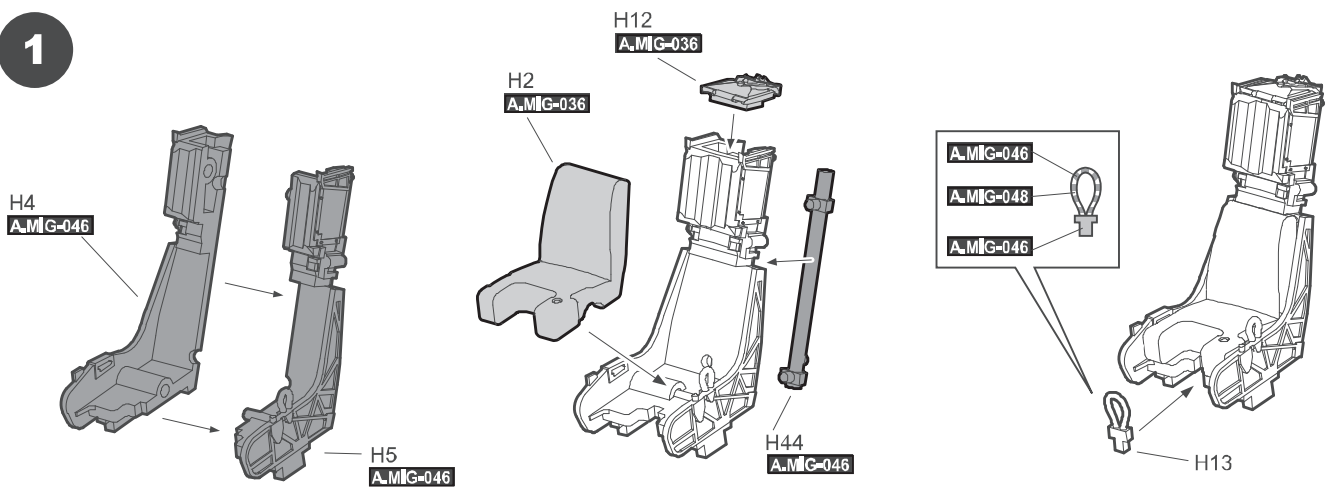
When requesting replacement parts, please take or send this form to your local dealer so that the parts required can be correctly identified. Please note that specifications and availability are subject to change without notice.

or visit <http://www.kineticmodel.com> for latest information.

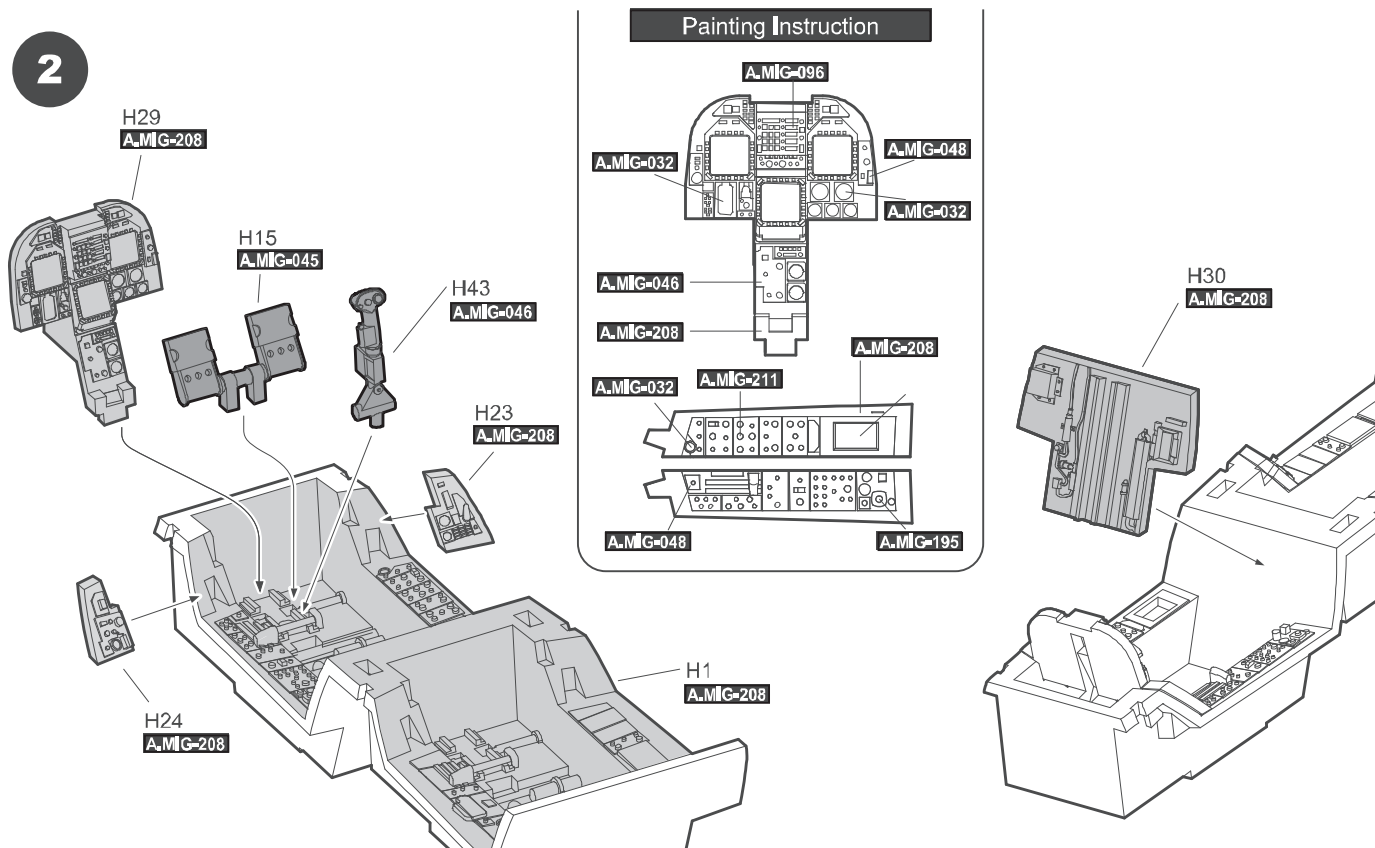
For more information, please contact services@kineticmodel.com

| Part Code | K48158 | Qty | Item |
|--------------|--|-----|--------|
| 00-100-021 | WEAPON SET (AIM-9x,9M,120B/C,GBU-12) PARTS M | 2 | M |
| 00-112-001 | 1/48 F/A-18 UPPER FUESLAGE A | 1 | A |
| 00-112-002 | 1/48 F/A-18 LOWER FUESLAGE B | 1 | B |
| 00-112-003 | 1/48 F/A-18 FLAPS C | 1 | C |
| 00-112-004 | 1/48 F/A-18 C/D VERTICAL TAIL D | 1 | D |
| 00-112-005 | 1/48 F/A-18 WHEEL, PYLONS E | 1 | E |
| 00-112-006 | 1/48 F/A-18 FUEL TANKS, PYLON F | 1 | F |
| 00-112-007 | 1/48 F/A-18 A/C CANOPY G | 1 | G |
| 00-112-008 | 1/48 F/A-18 COCKPIT, LANDING GEAR H | 1 | H |
| 00-112-009 | 1/48 F/A-18 A/C PARTS I | 1 | I |
| 00-112-012 | 1/48 F/A-18 COMMON CLEAR PARTS L | 1 | L |
| 00-112-013 | 1/48 F/A-18 DOUBLE CANOPY M | 1 | M |
| 00-112-015 | 1/48 F/A-18 A/B VERTICAL TAIL PART O | 1 | O |
| 00-180-001 | 1/48 MODERN US TARGETING POD | 1 | A |
| 01-112-48158 | 1/48 RAAF F/A-18A Hornet "Operation Okra" | 1 | DECAL |
| 03-112-48158 | 1/48 RAAF F/A-18A Hornet "Operation Okra" MANUAL | 1 | MANUAL |
| 06-112-48033 | 1/48 F/A-18A/B/C/D/ATARS | 1 | PE |

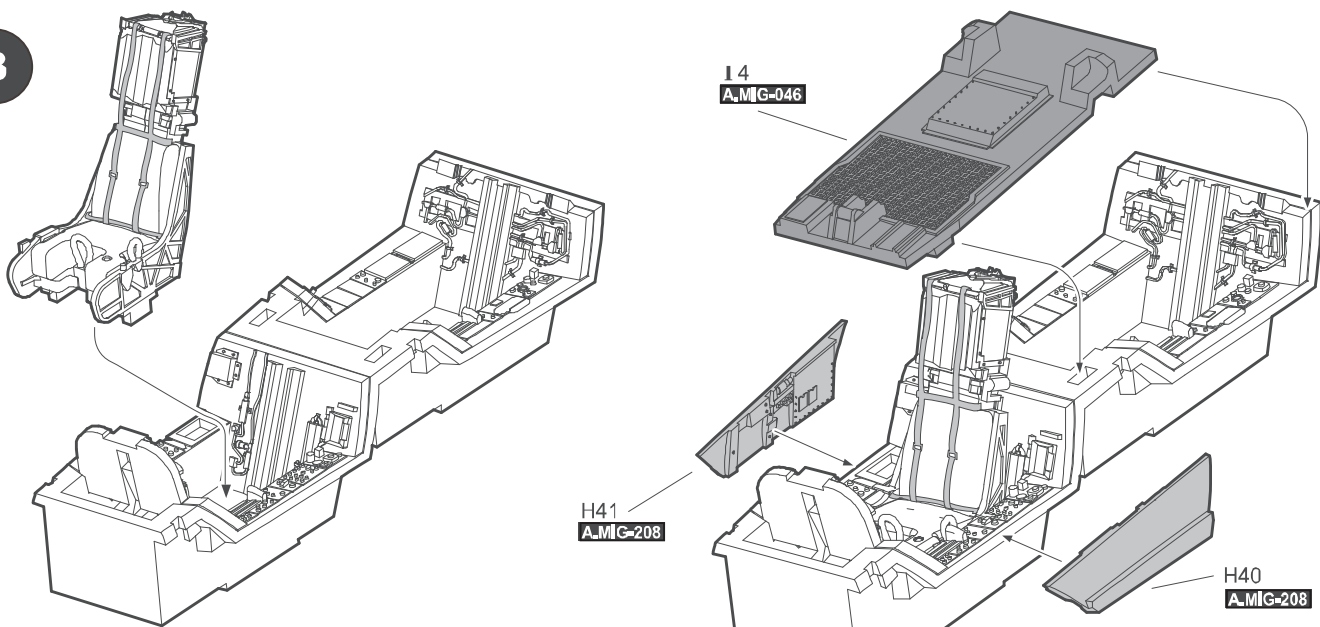
1



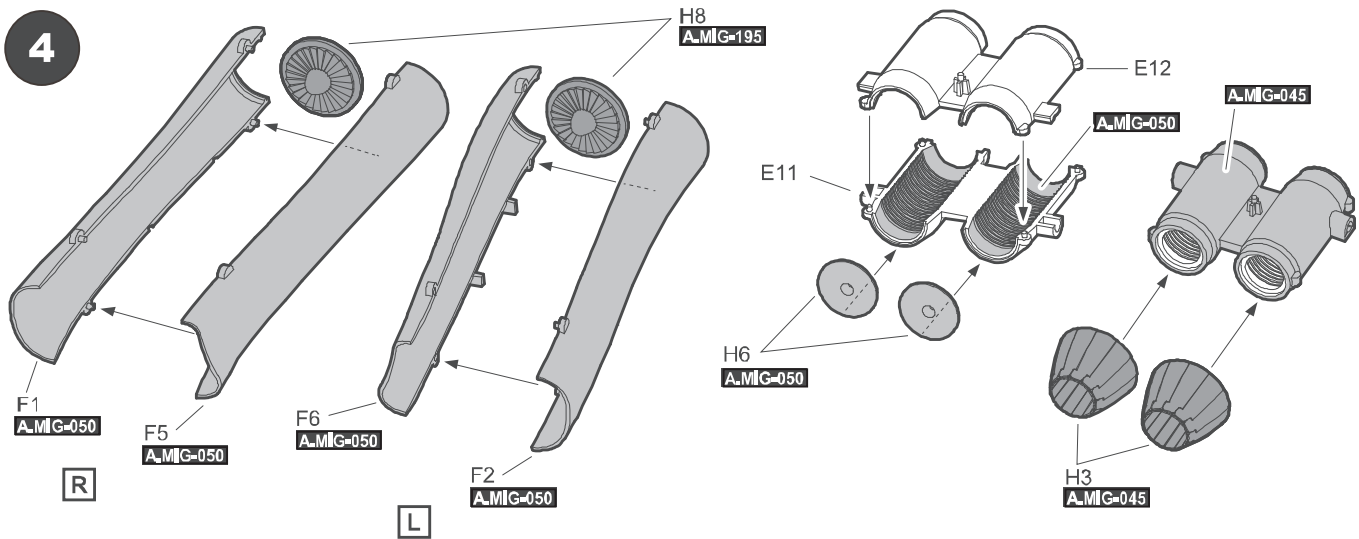
2



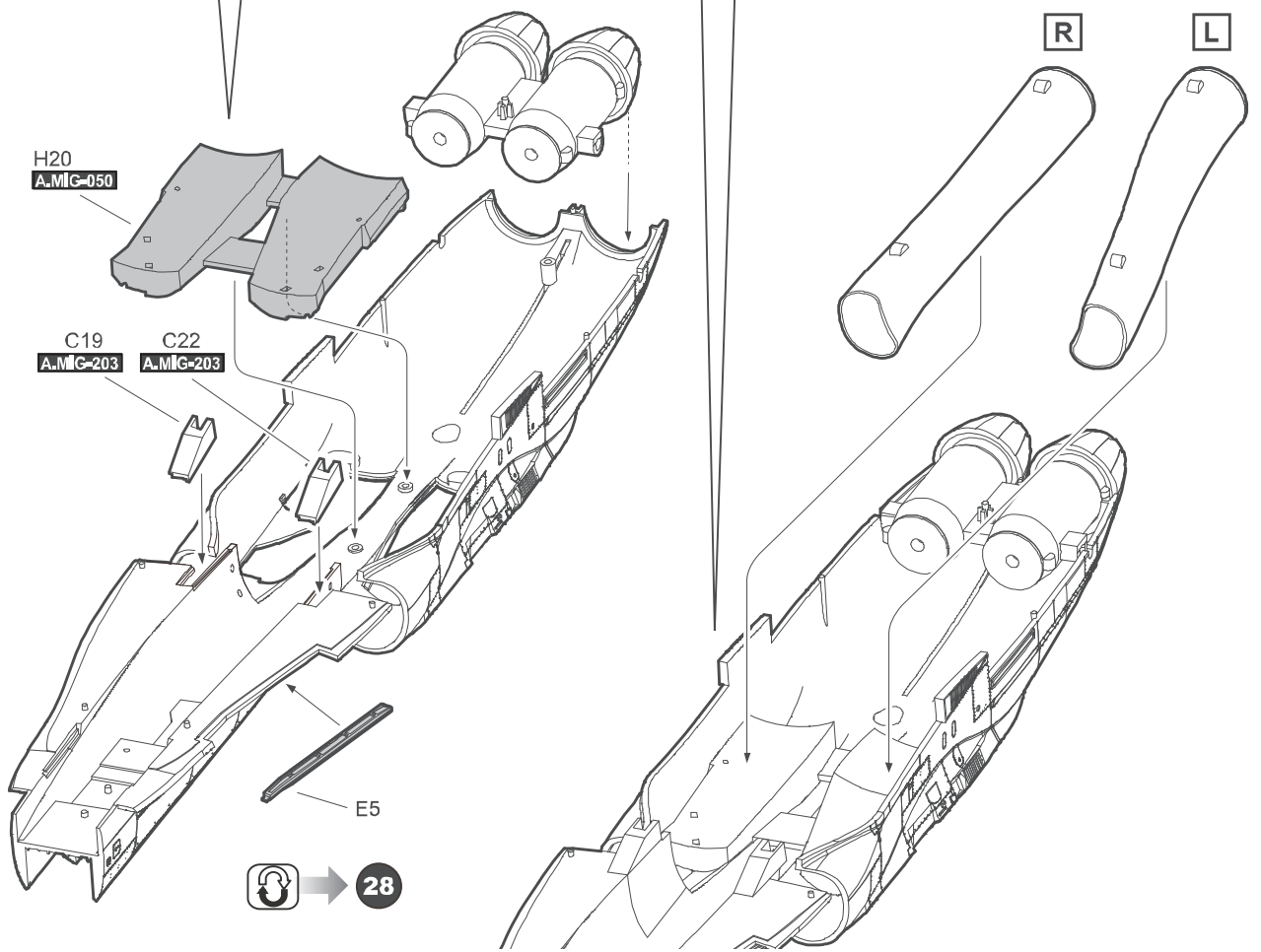
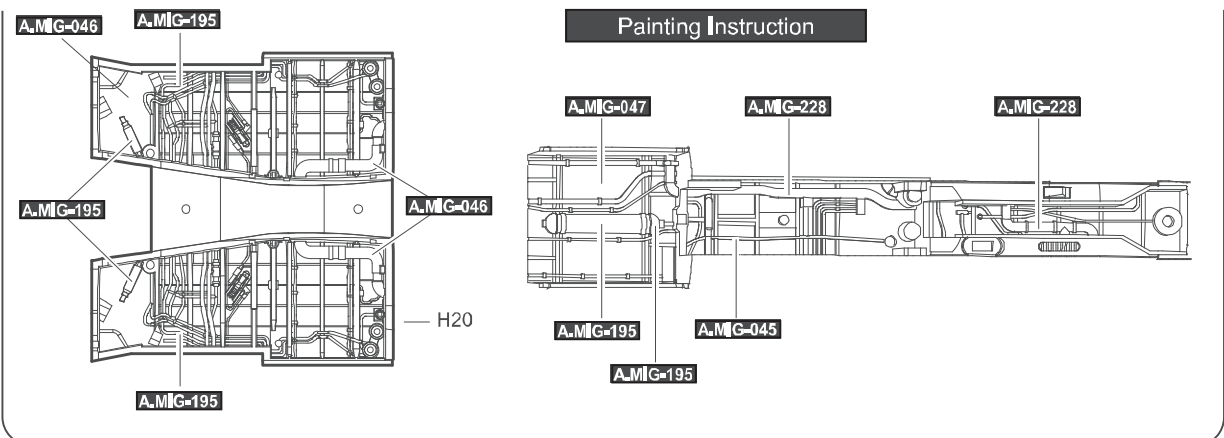
3



4



5

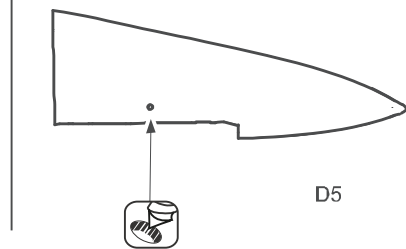
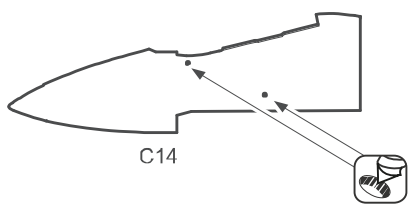
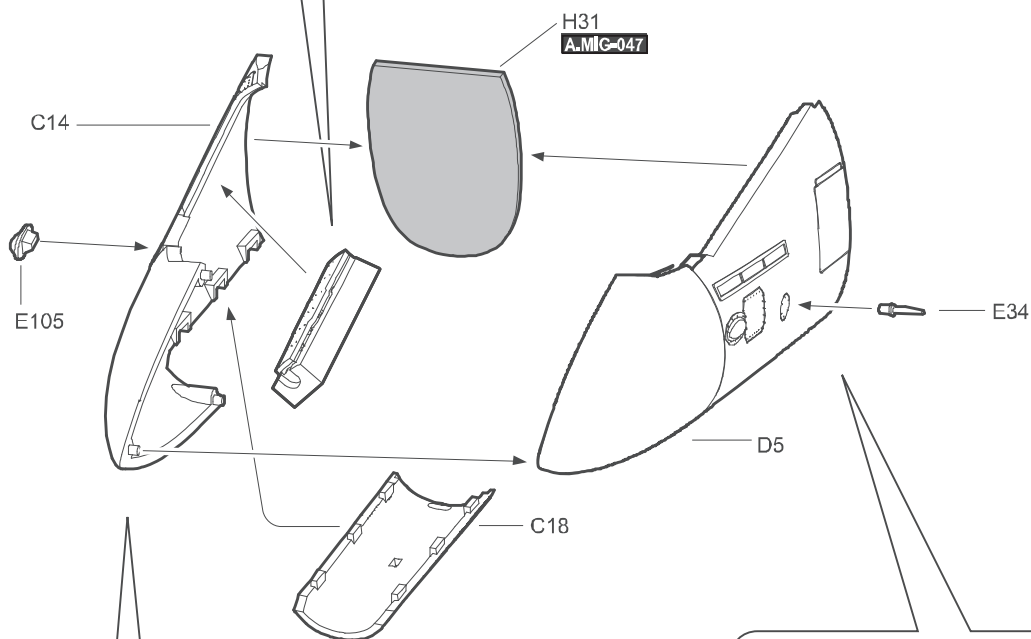
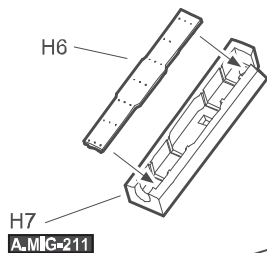
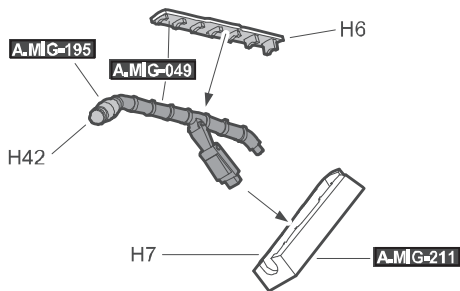


6

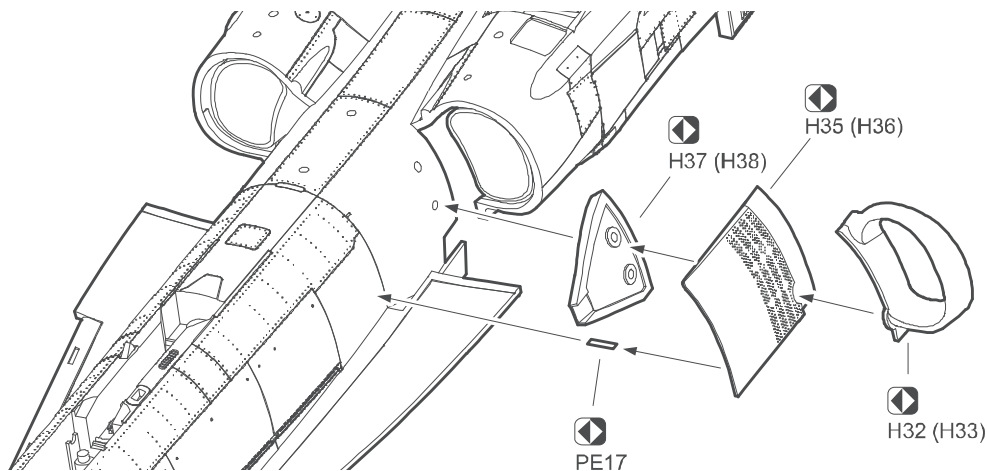
Refuelling Probe Open



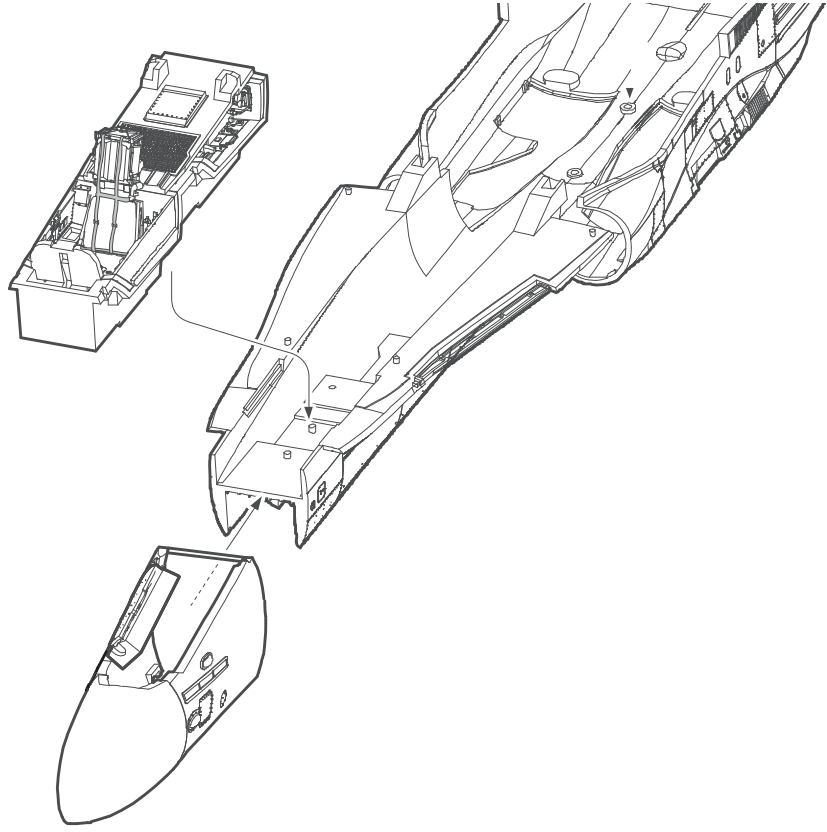
Refuelling Probe Close



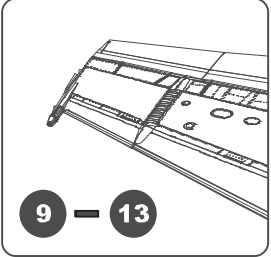
7



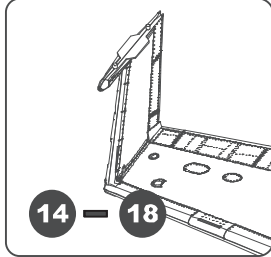
8



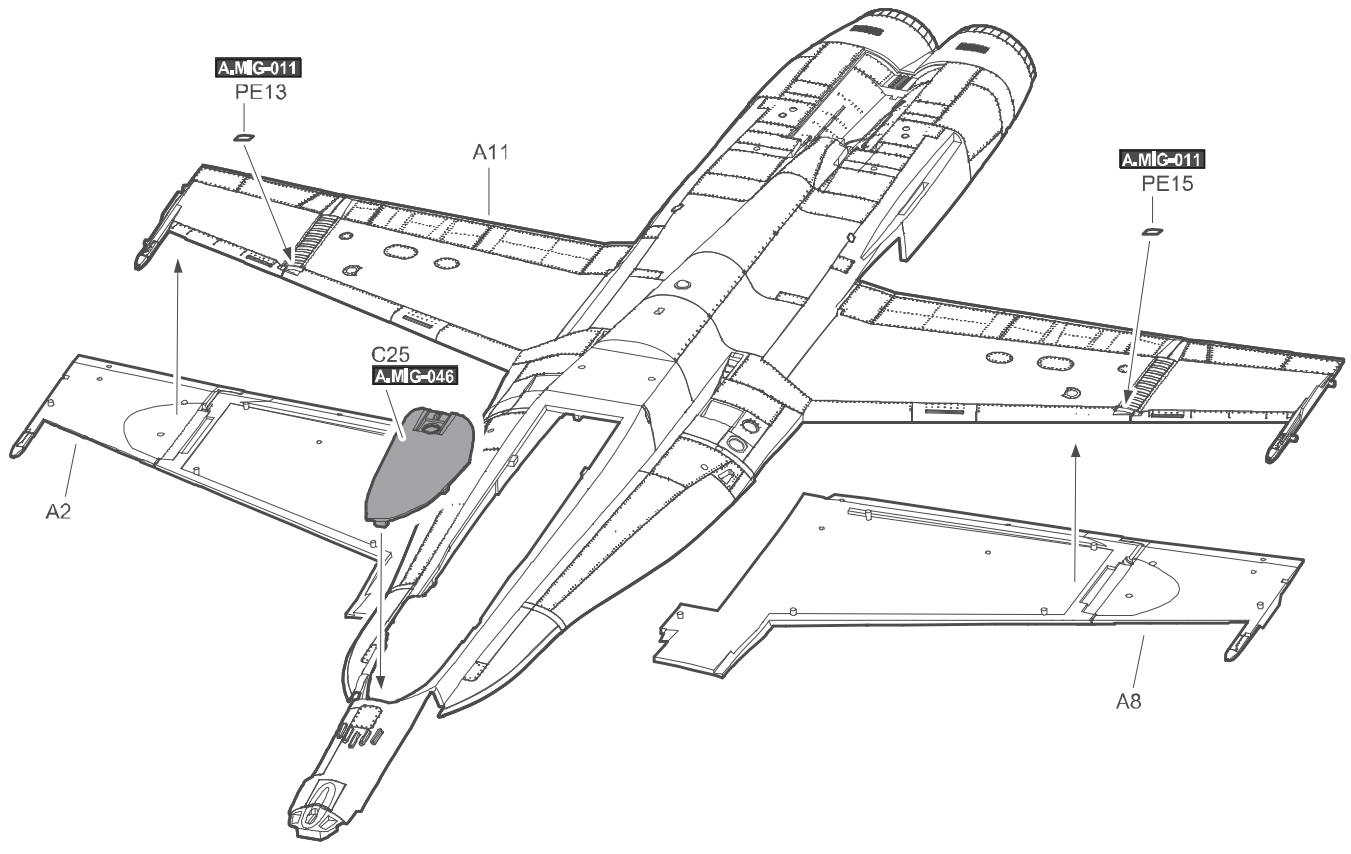
9



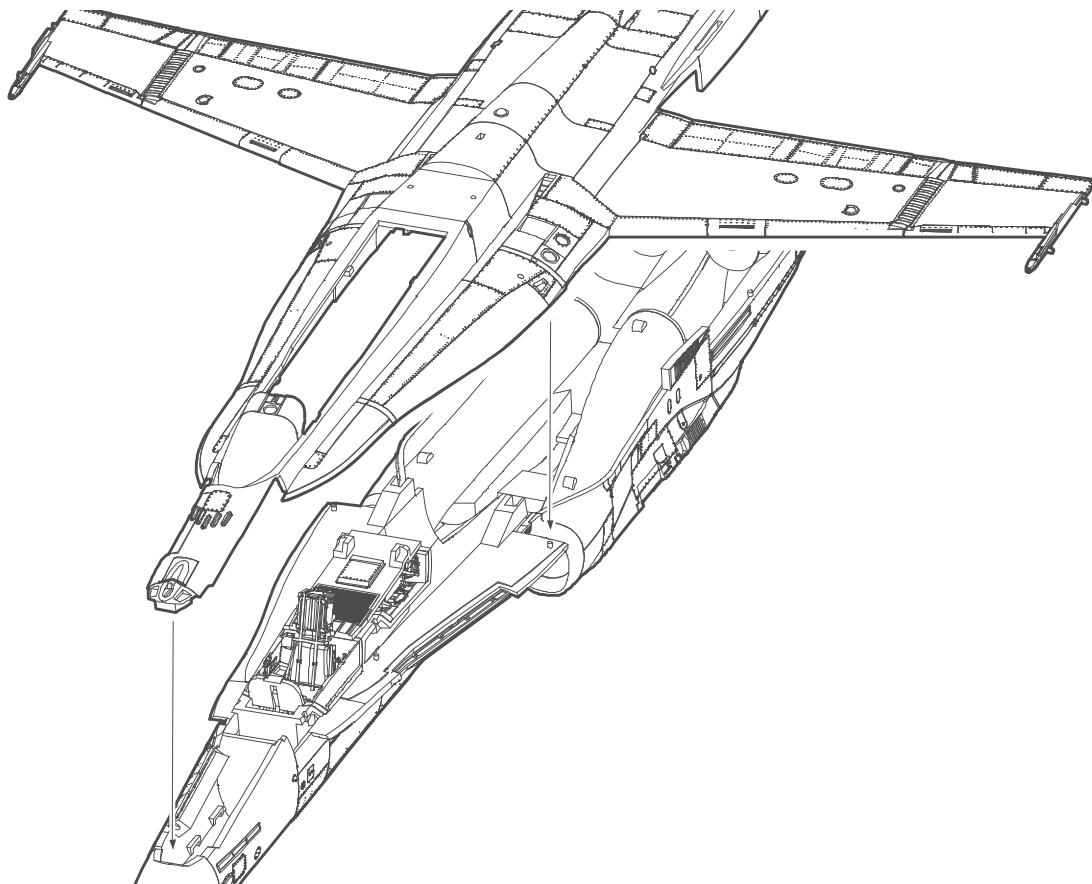
Wings extended



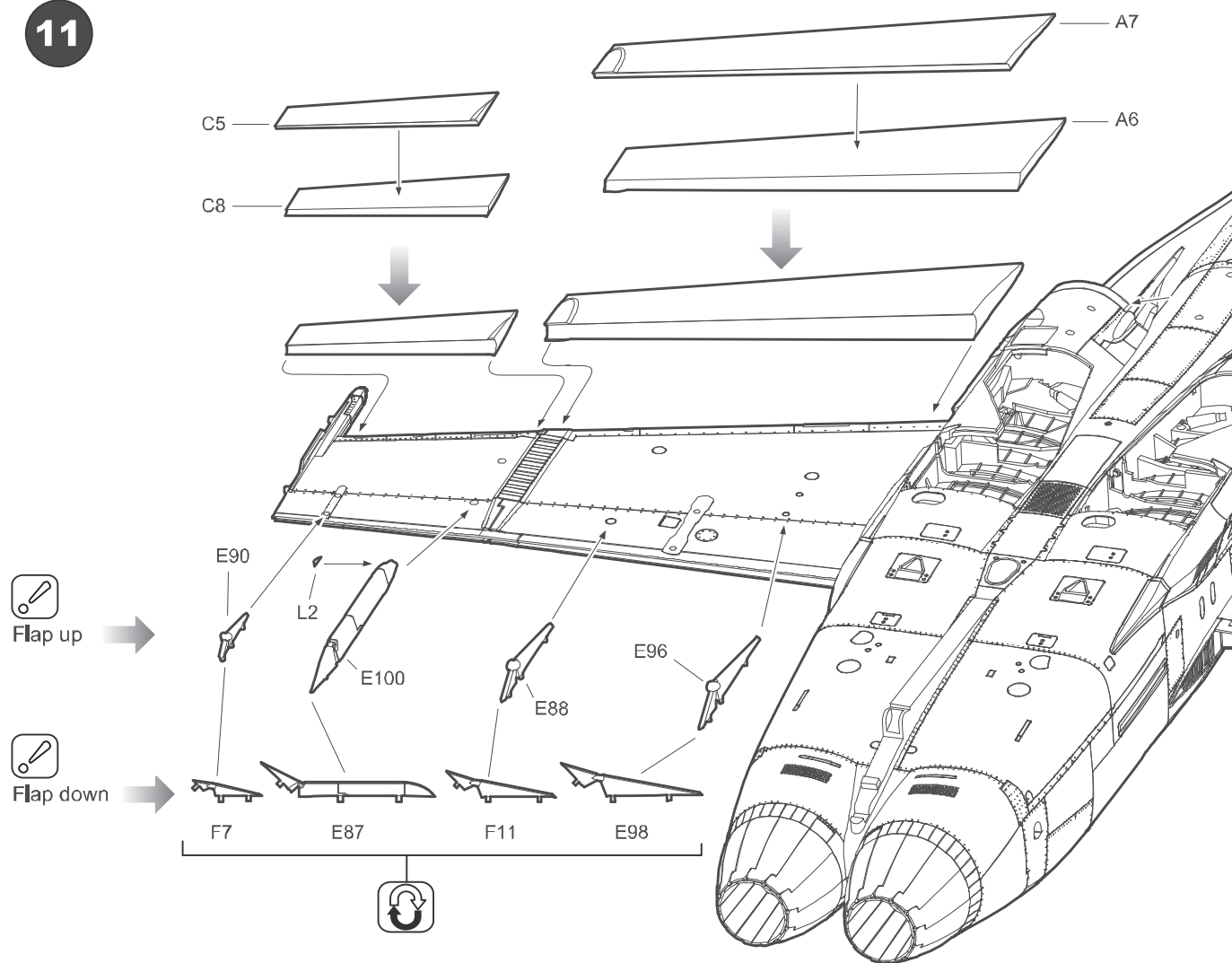
Fold Wings



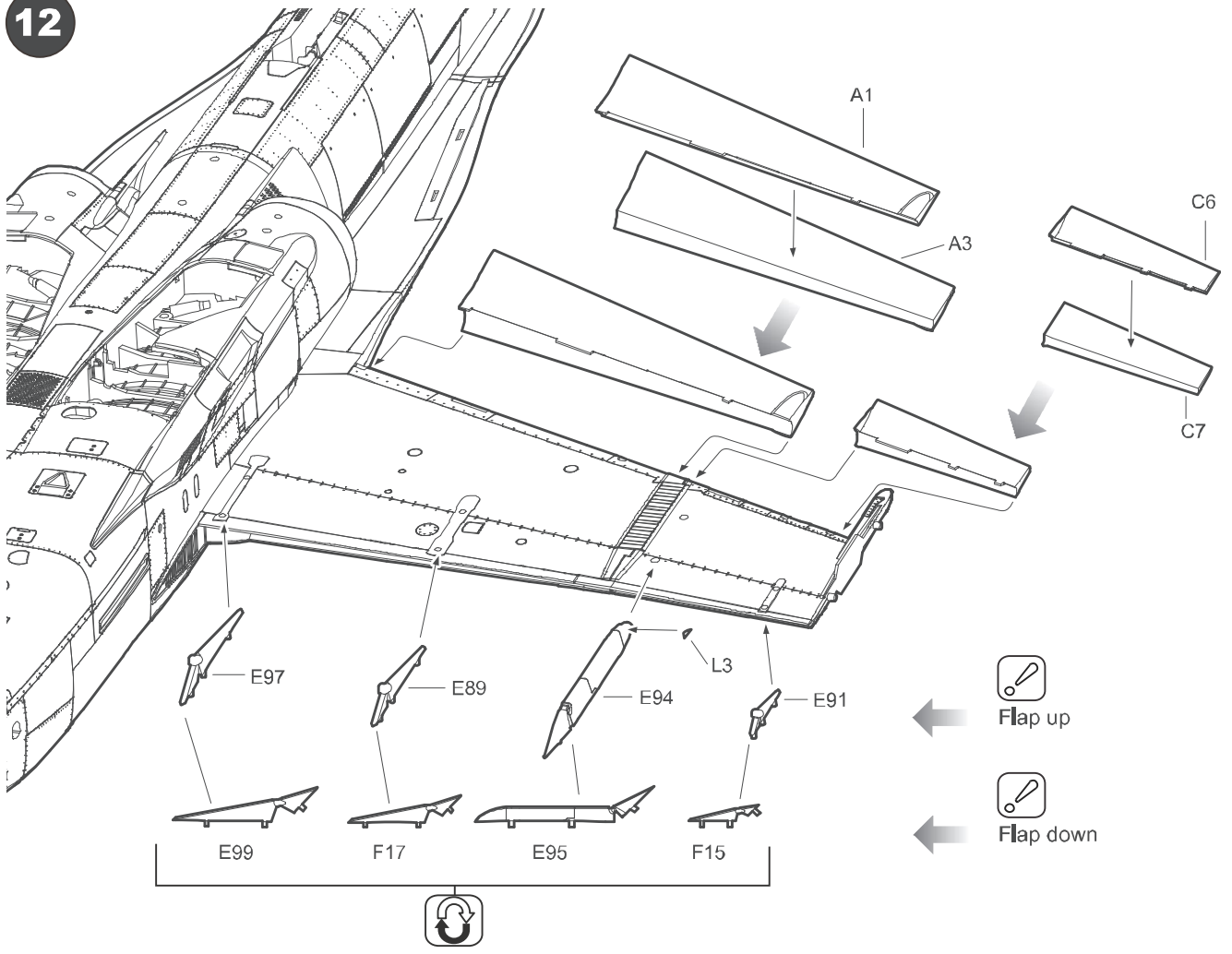
10



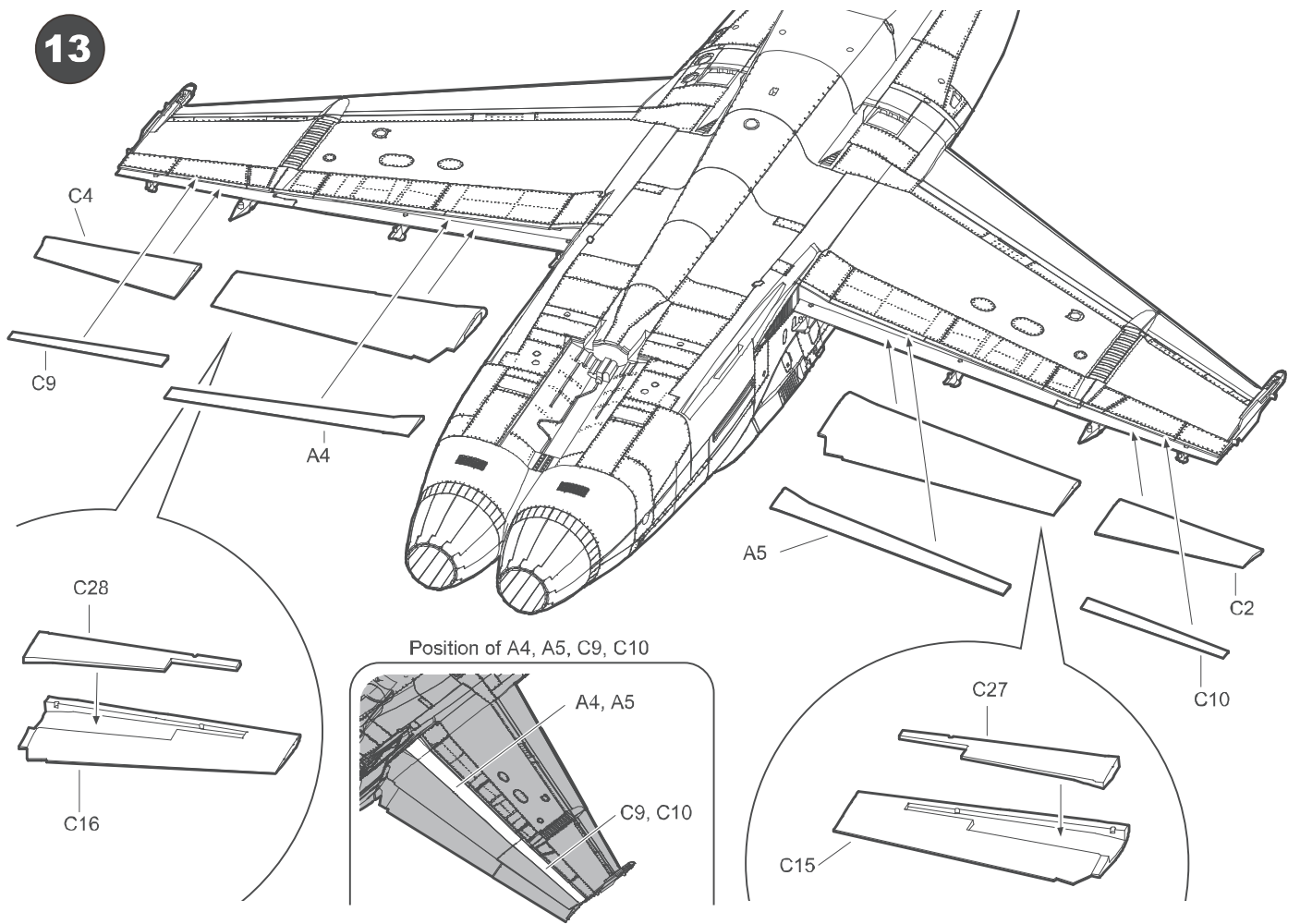
11



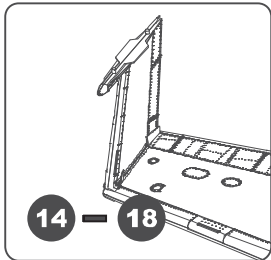
12



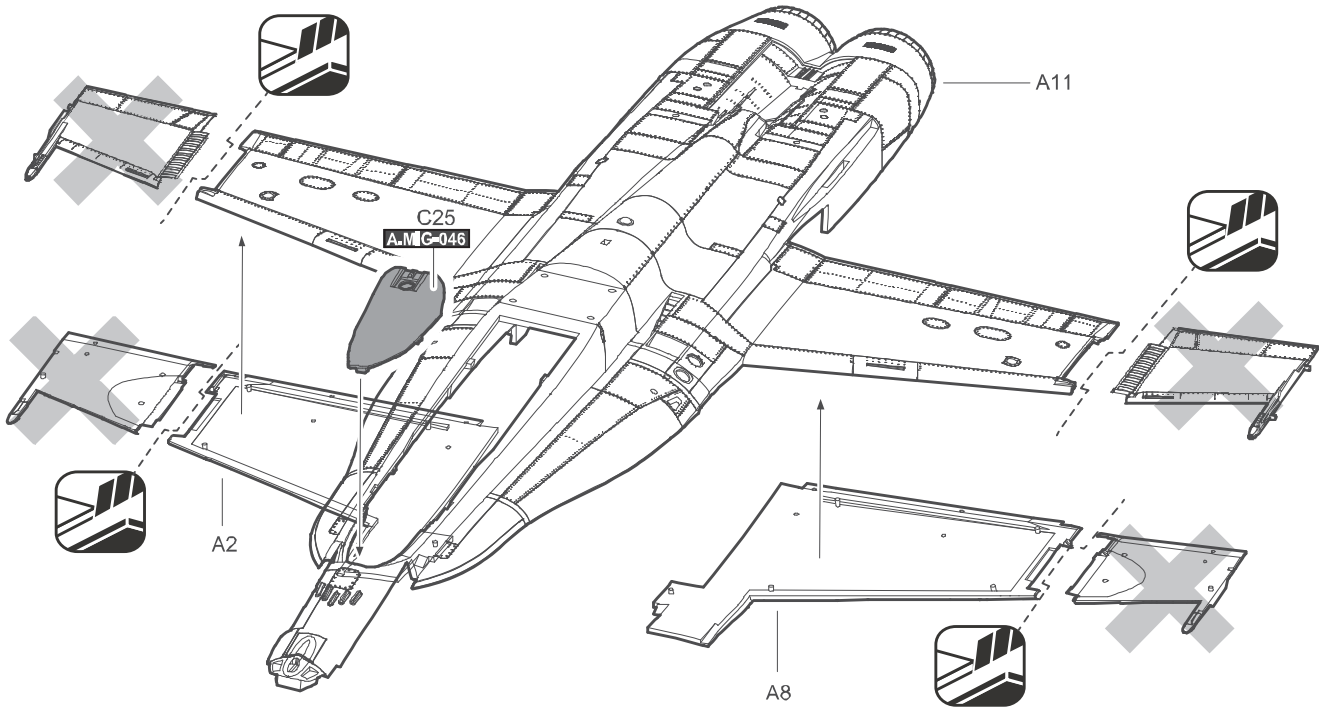
13



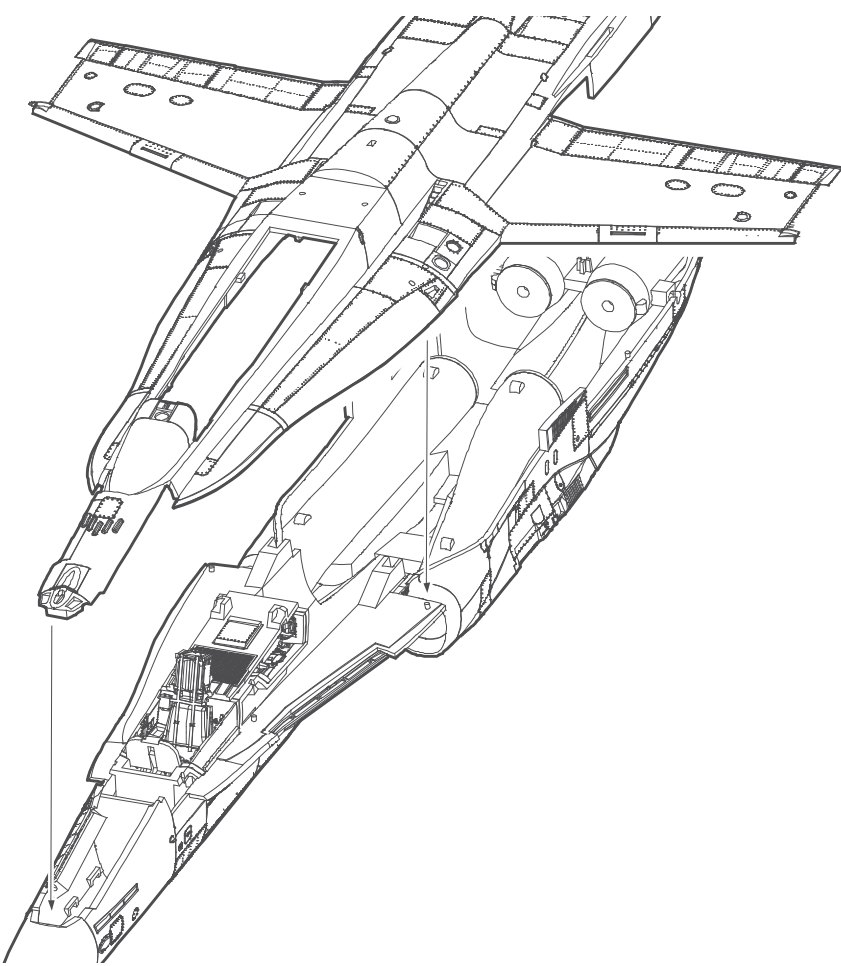
14



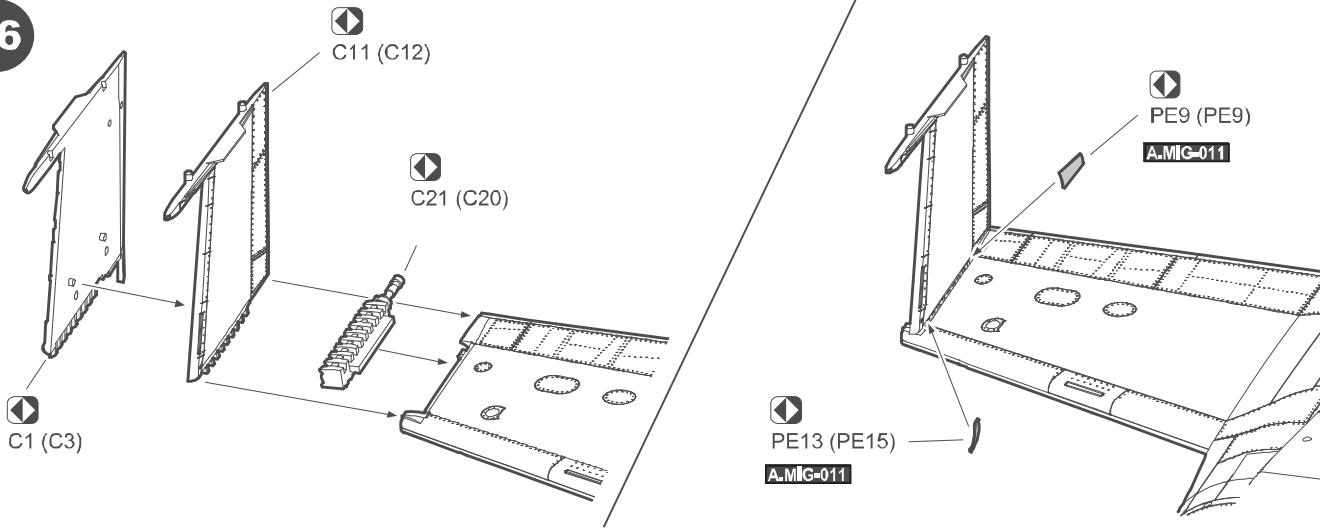
Fold Wings



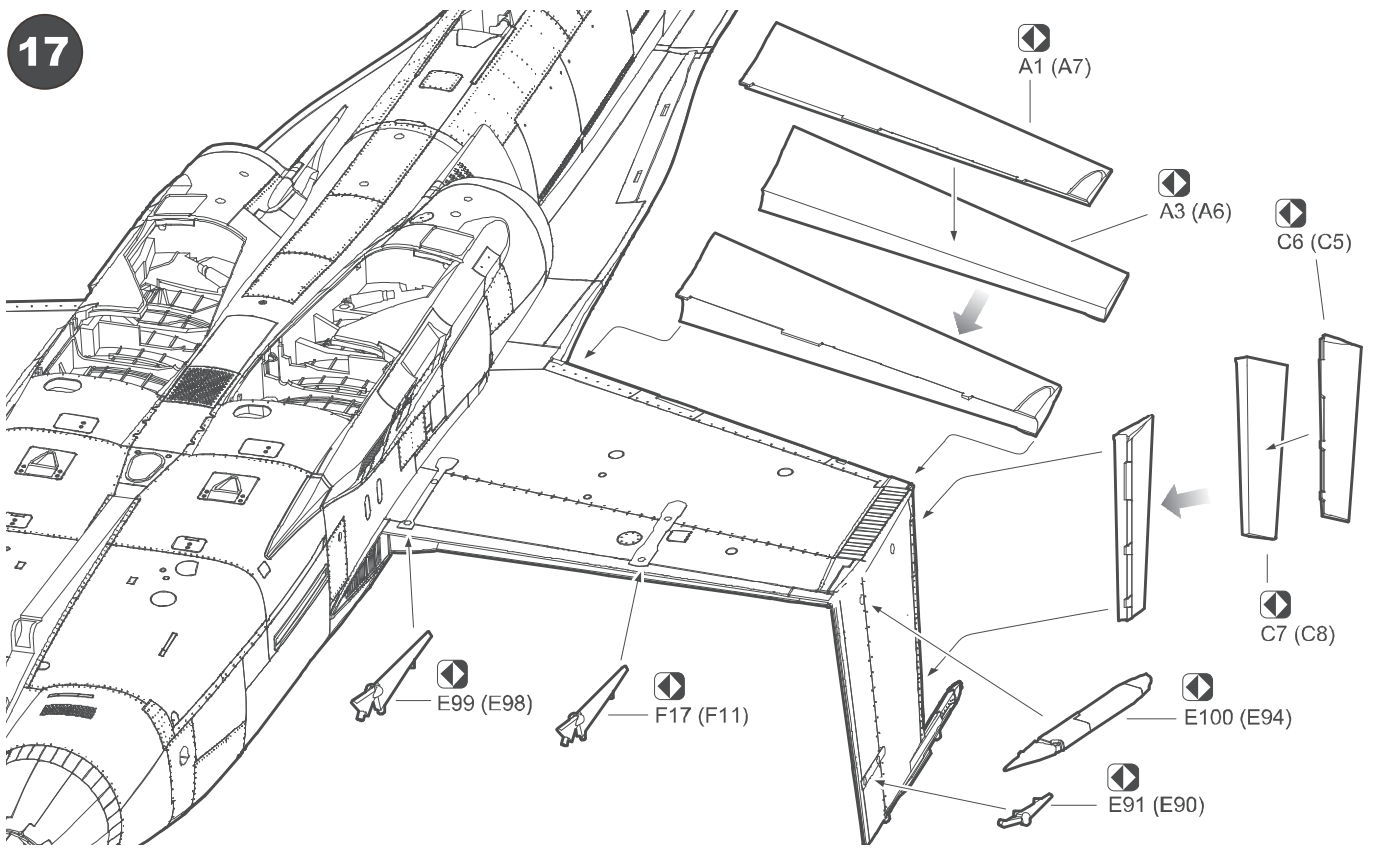
15



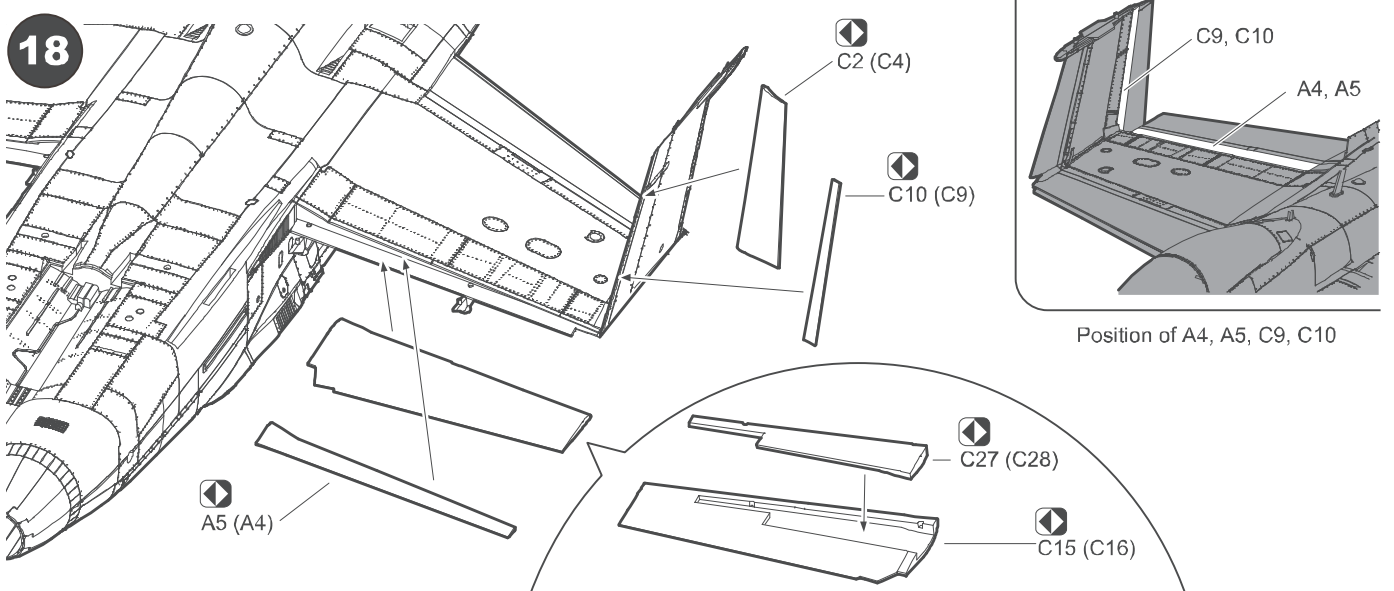
16

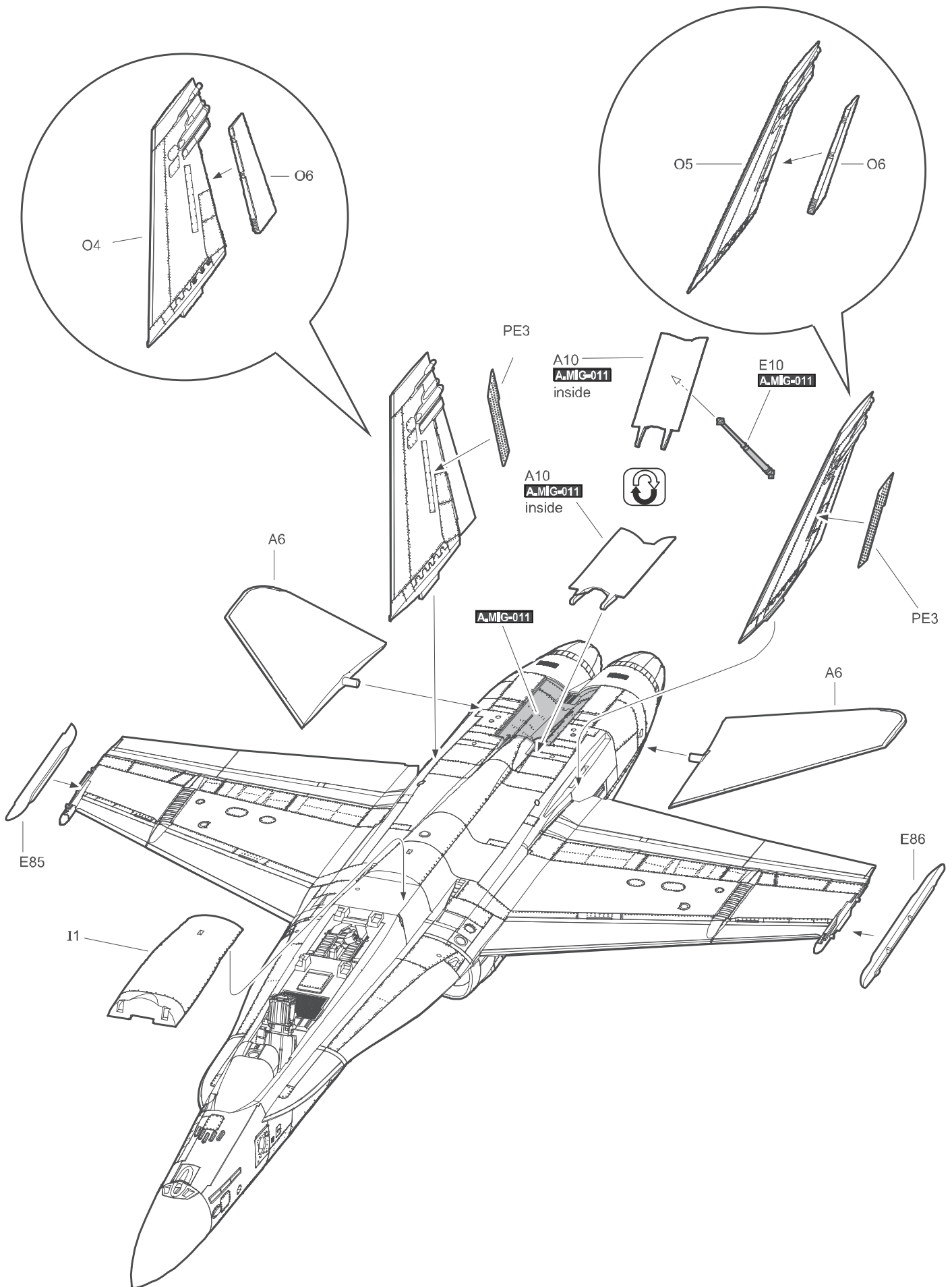


17

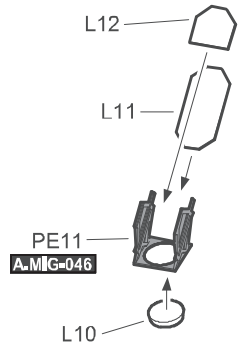
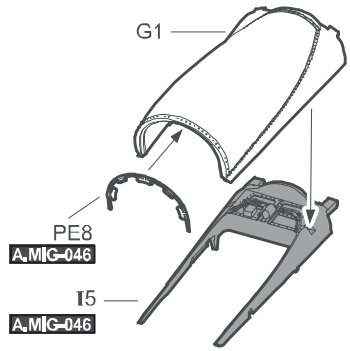


18



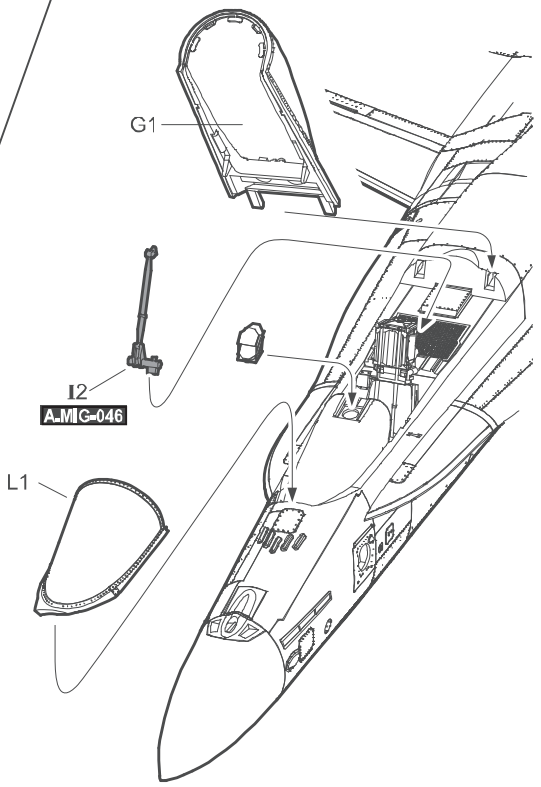
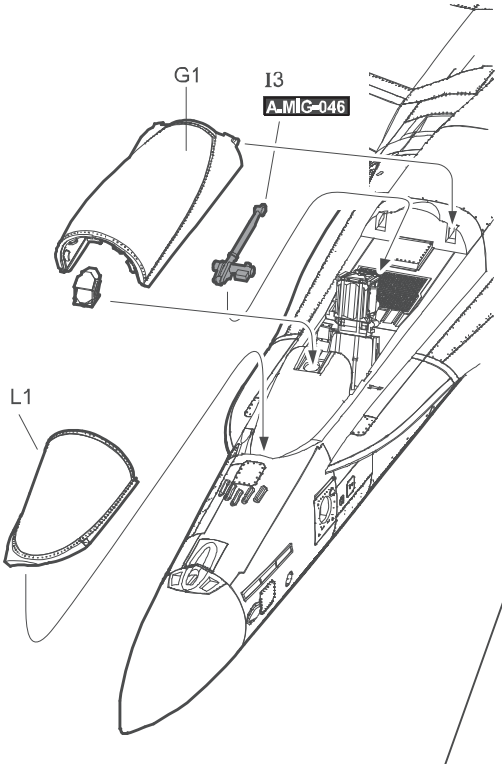


20

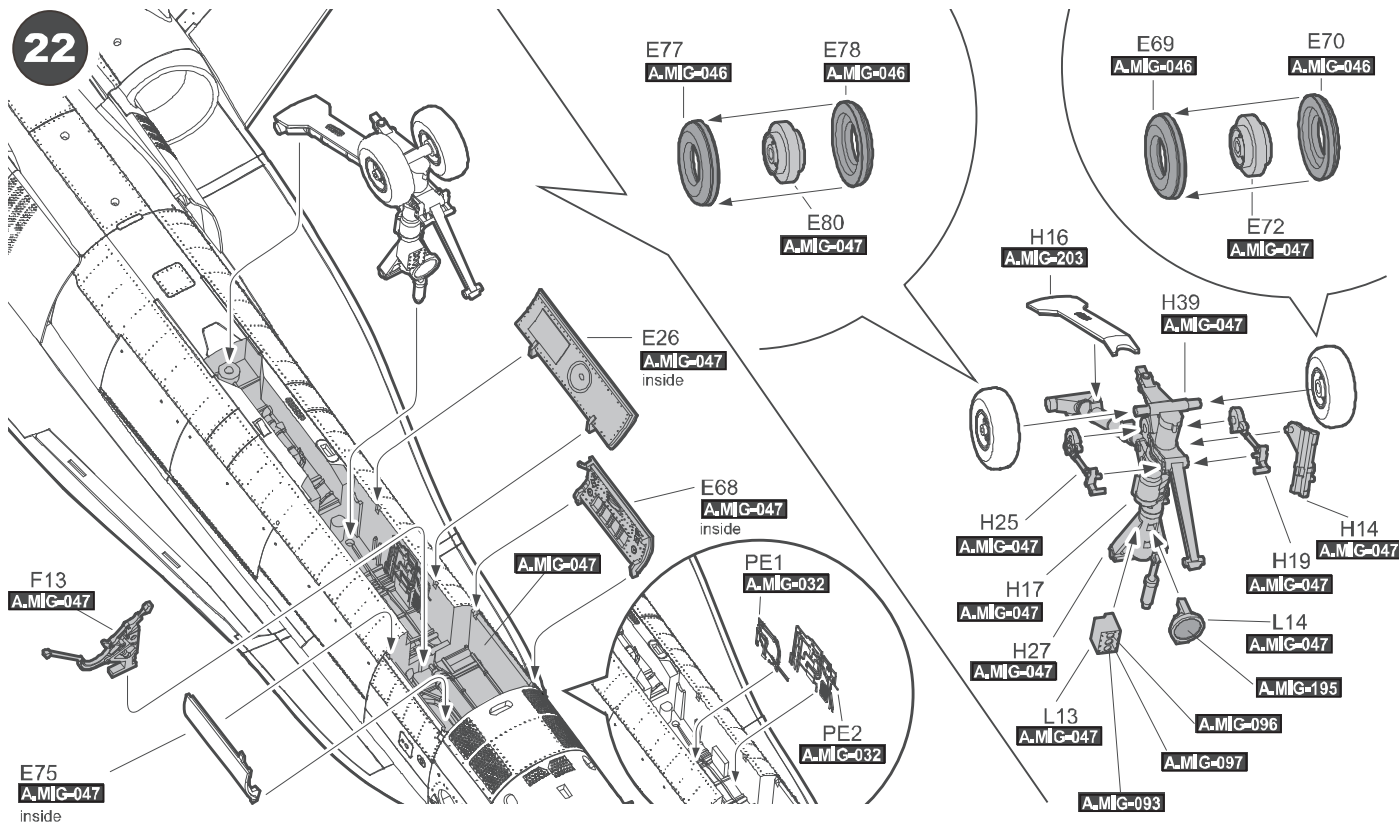


21

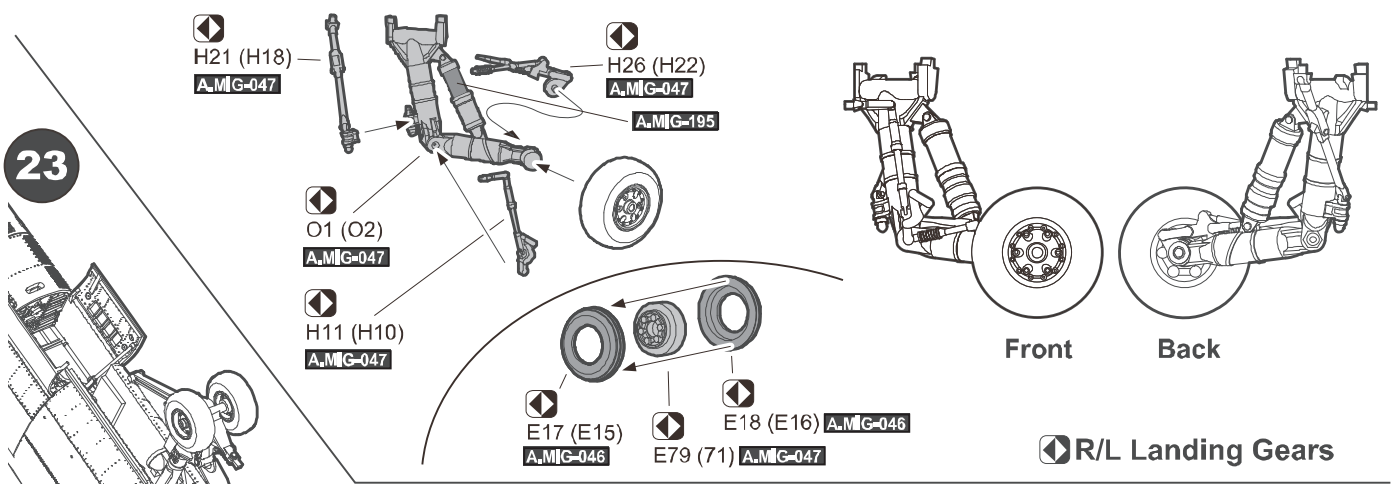
Close Canopy  Open Canopy



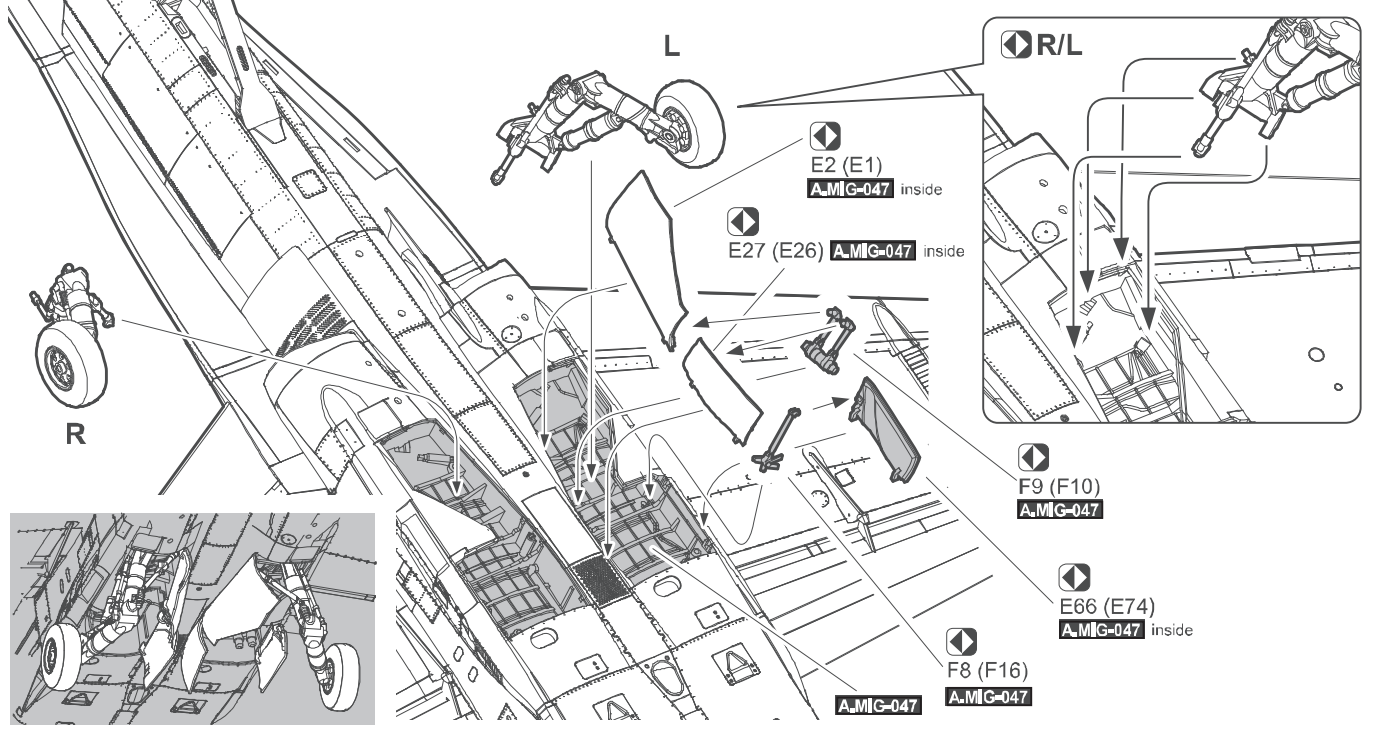
22



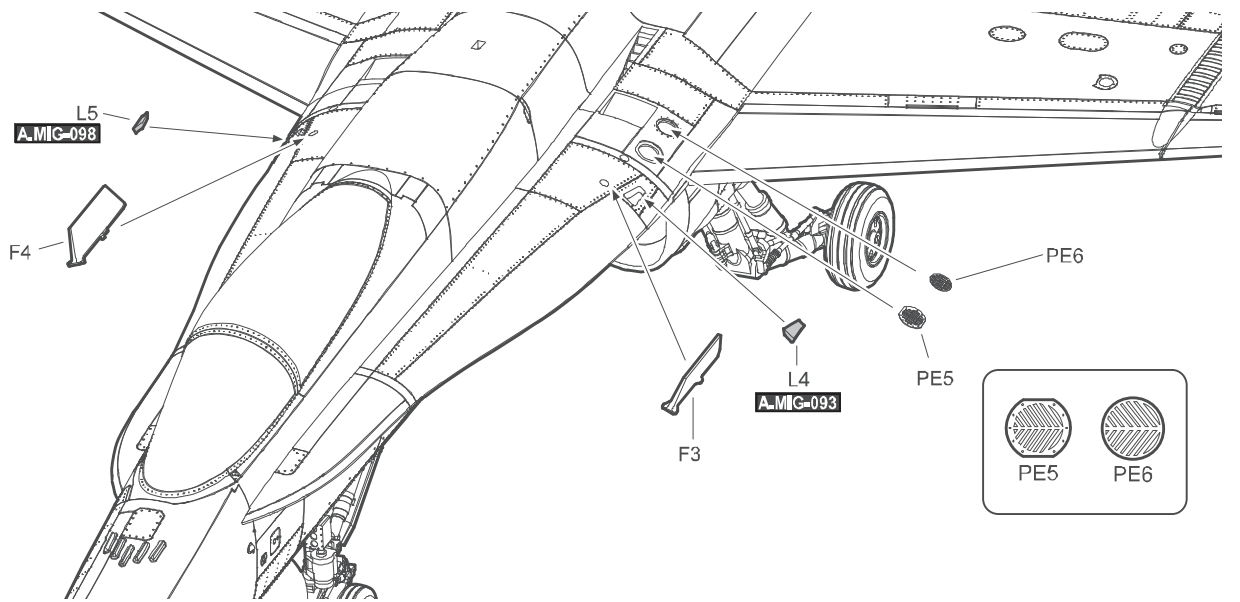
23



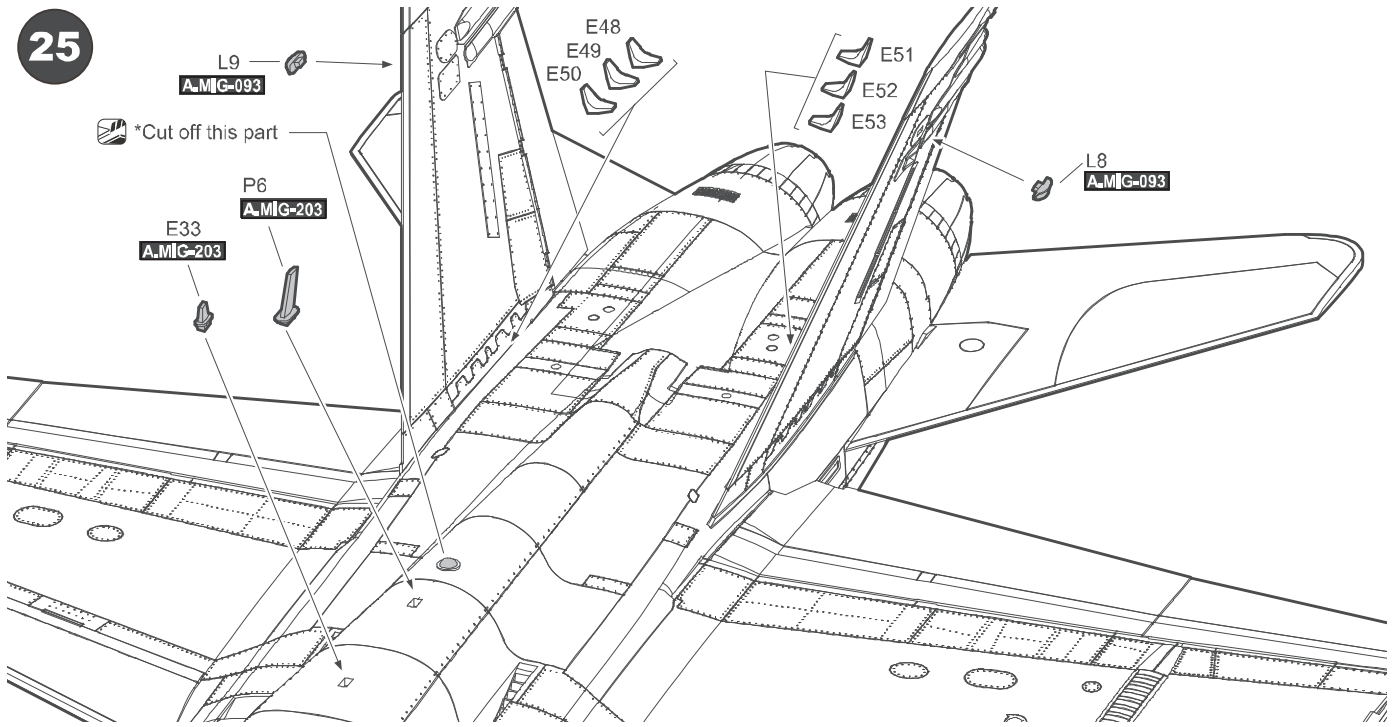
R/L Landing Gears



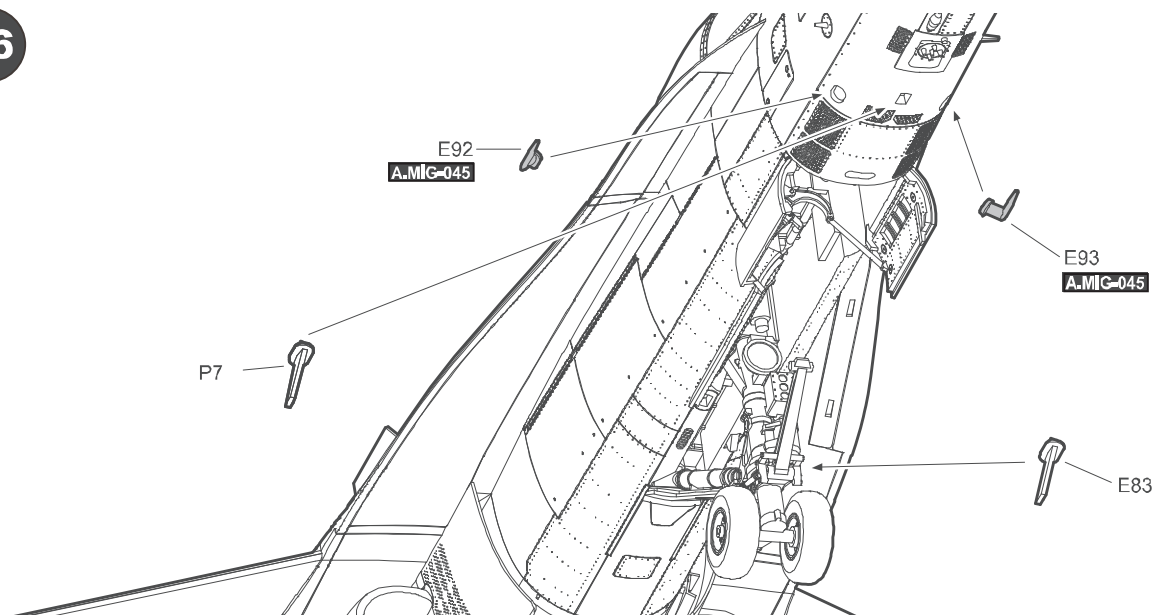
24



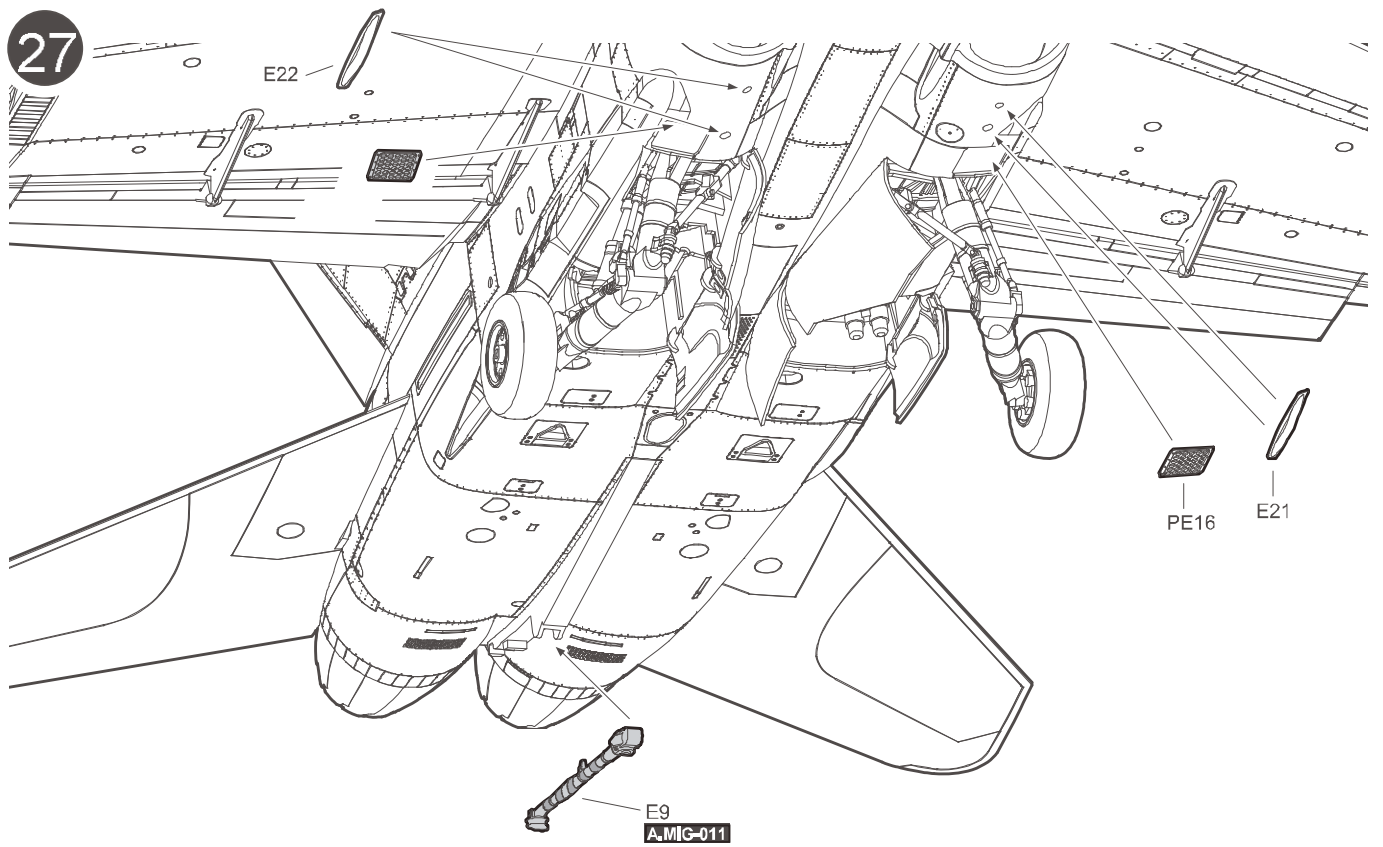
25



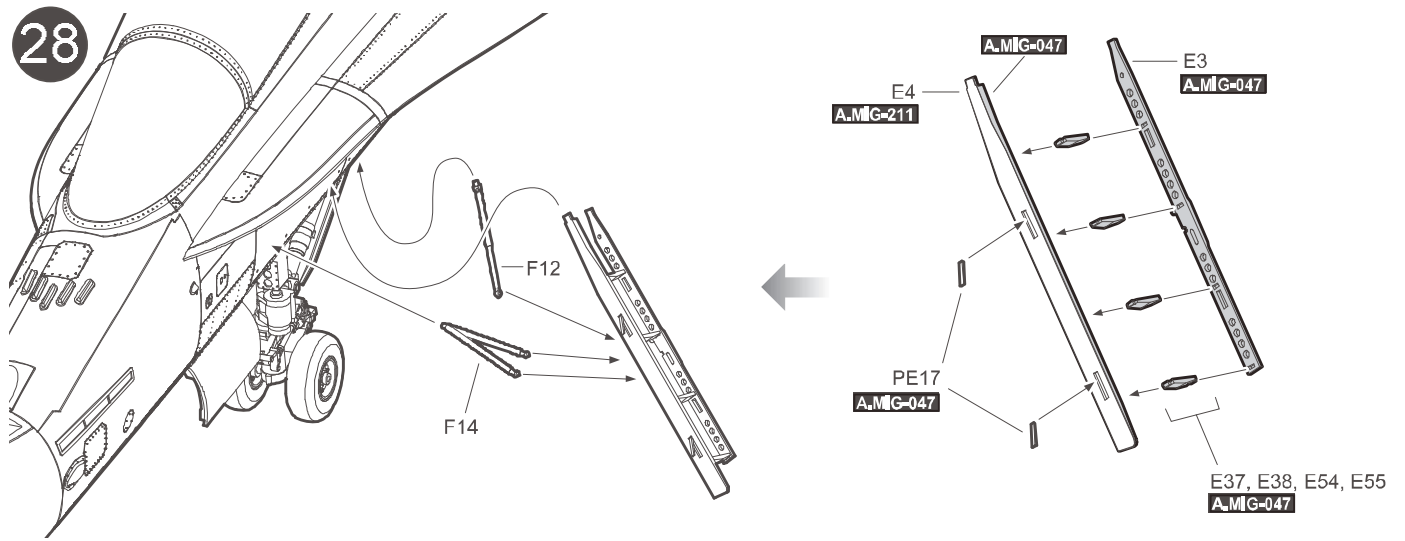
26



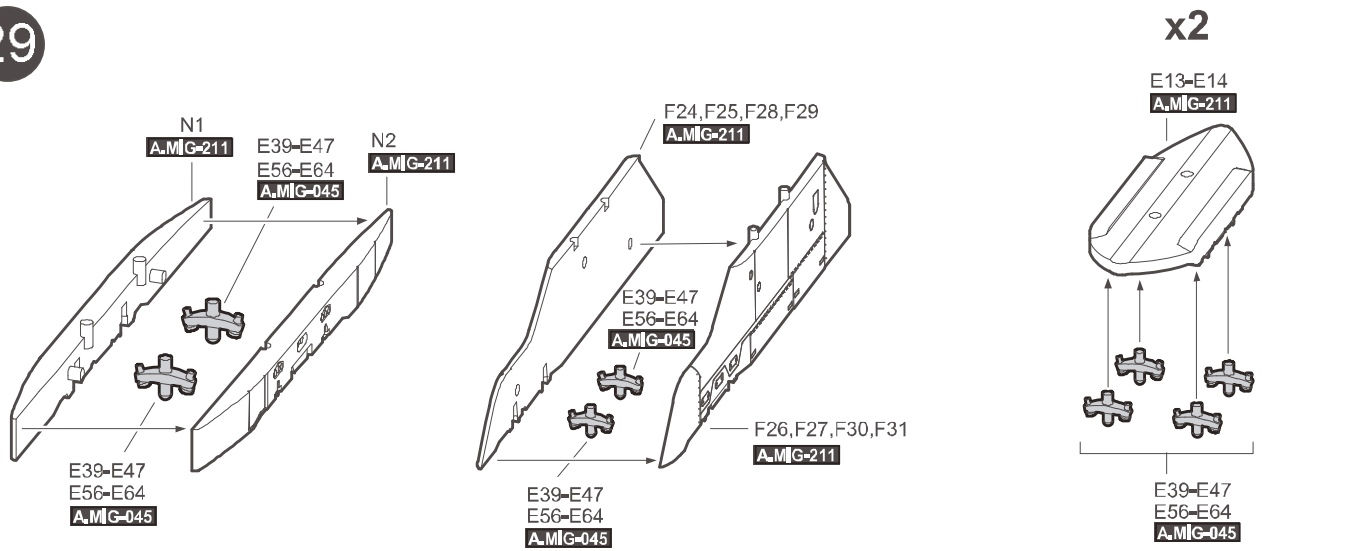
27



28

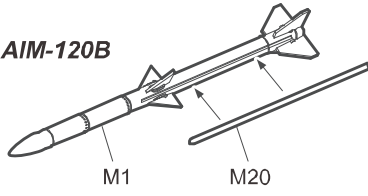


29

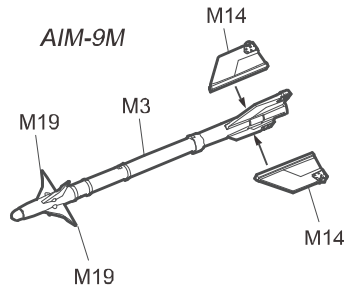




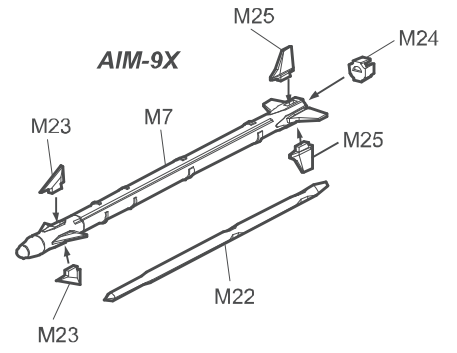
AIM-120B



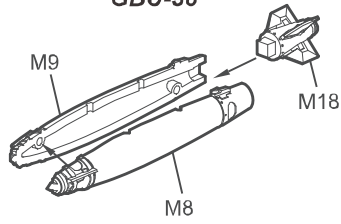
AIM-9M



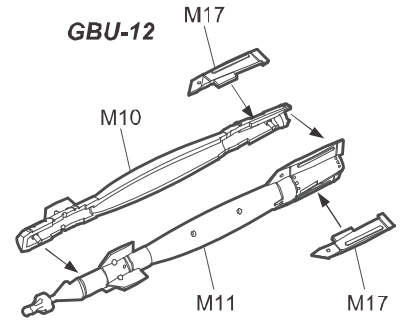
AIM-9X



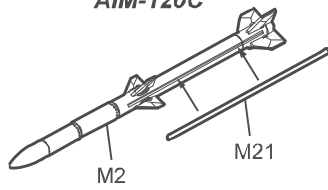
GBU-38



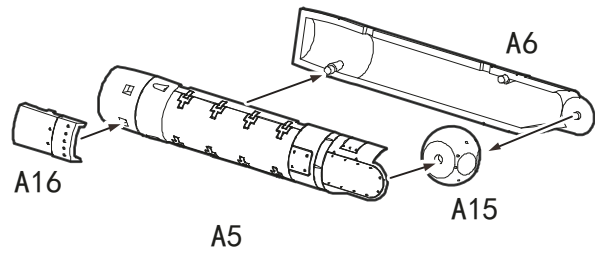
GBU-12



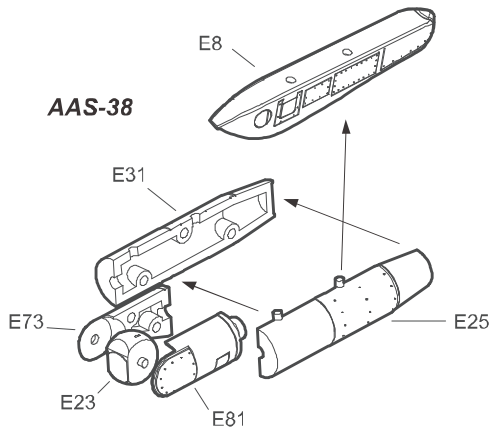
AIM-120C



AAQ-28

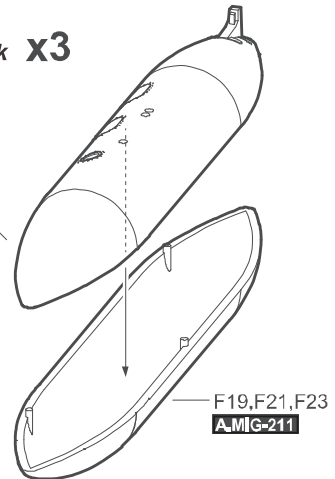


AAS-38

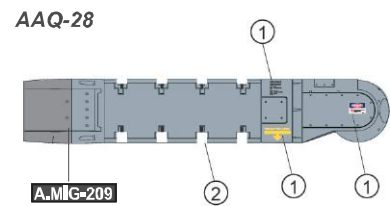
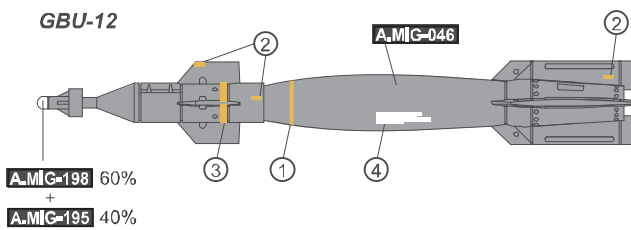
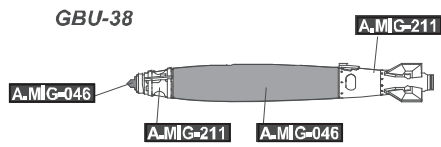
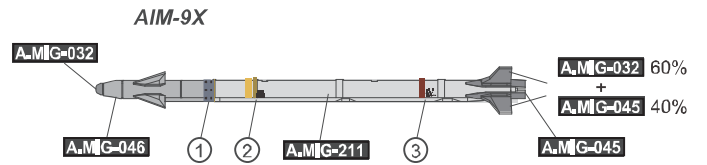
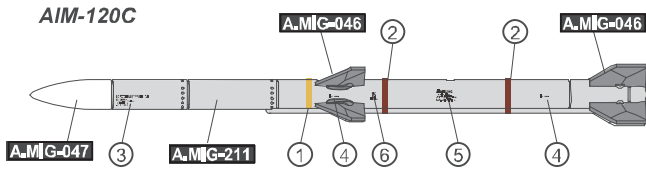
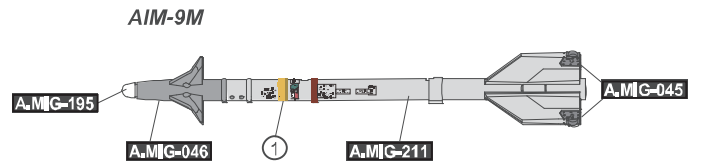
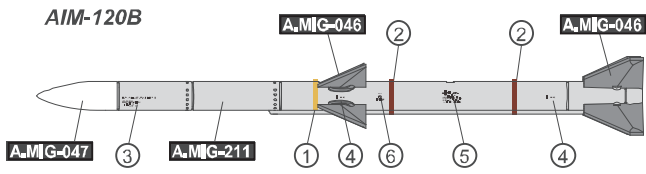


330 Gallons Tank X3

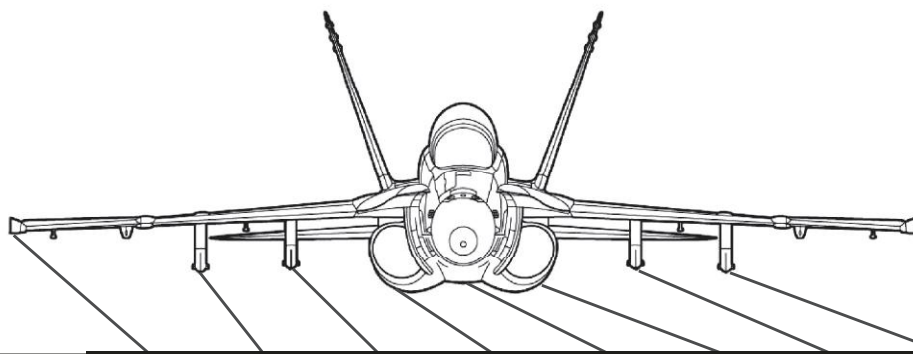
F18,F20,F22
A.MIG-211



Painting & Decal Placement - External Stores



EXTERNAL STORES



| Weapons | Sta. No. | <9> | <8> | <7> | <6> | <5> | <4> | <3> | <2> | <1> |
|-----------------------|----------|-----|-----|-----|-----|-----|-----|-----|-----|-----|
| AIM-9M/X | | ● | | | | | | | | ● |
| AIM-120 | | | ● | | ● | | ● | | ● | |
| GBU-12 | | | ● | ● | | | | ● | ● | |
| GBU-38 | | | ● | | | | | | ● | |
| AAQ-28 | | | | | ● | ● | | | | |
| CBU-10 | | | ● | ● | | | | ● | ● | ● |
| AAS-38 | | | | | | | ● | | | |
| FUEL TANK 330 Gallons | | | | ● | | ● | | ● | | |

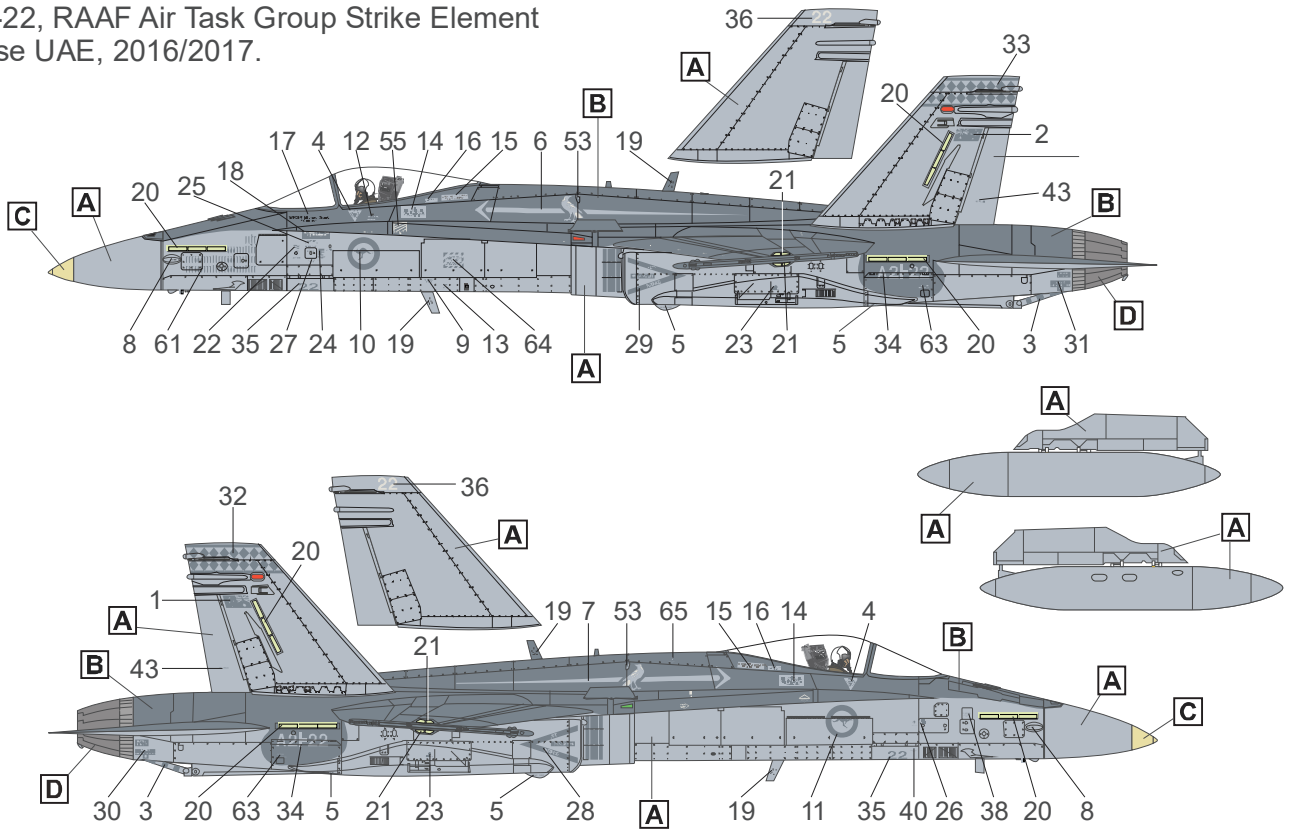


PAINT INDEX

| COLOR | AMMO MIG | VALLEJO MODEL COLOR | GSI CREOS MR. COLOR | TAMIYA ENAMEL/ACRYLIC | HUMBROL ENAMEL |
|-------------------------|-----------|------------------------|------------------------|--------------------------|-------------------|
| DUNKELGELB AUS '44 DG I | A.MIG-011 | 830 | - | XF62 | 66 |
| LIGHT BEIGE | A.MIG-012 | 837 | 51 | XF78 | 121 |
| | | | | | |
| | | | | | |
| SATIN BLACK | A.MIG-032 | 861 | 2 | - | 21 |
| OLD WOOD | A.MIG-036 | 879 | 81 | - | - |
| GUN METAL | A.MIG-045 | 863 | 76 | XF56 | 53 |
| MATT BLACK | A.MIG-046 | 950 | 12 | XF1 | 33 |
| SATIN WHITE | A.MIG-047 | 842 | 1 | - | 22 |
| YELLOW | A.MIG-048 | 953 | 413 | XF3 | 15 |
| RED | A.MIG-049 | 957 | - | XF07 | 153 |
| MATT WHITE | A.MIG-050 | 951 | 11 | XF2 | 34 |
| | | | | | |
| CRYSTAL RED | A.MIG-093 | 934 | - | - | 220 |
| CRYSTAL PERISCOPE GREEN | A.MIG-096 | 936 | - | - | - |
| CRYSTAL ORANGE | A.MIG-097 | 935 | - | - | - |
| CRYSTAL LIGHT BLUE | A.MIG-098 | 938 | - | - | - |
| SILVER | A.MIG-195 | 997 | 8 | XF16 | 11 |
| BURNT IRON | A.MIG-187 | 71.073 | 61 | XF-4 | - |
| | | | | | |
| LIGHT GHOST GRAY | A.MIG-203 | 990 | 308 | - | - |
| | | | | | |
| GHOST GRAY | A.MIG-208 | 991 | 317 | XF54 | 27 |
| | | | | | |
| GRAY BLUE | A.MIG-210 | 901 | - | - | - |
| MEDIUM GRAY | A.MIG-211 | 989 | - | XF19 | 127 |
| INTERMEDIATE BLUE | A.MIG-228 | 867 | 36 | XF54 | 79 |
| | | | | | |
| | | | | | |

1/48 SCALE AIRCRAFT SERIES NO.K48158

F/A-18A A21-22, RAAF Air Task Group Strike Element
Al Dhafra Base UAE, 2016/2017.



| COLOR TABLE | | FS |
|--------------------|------------------|-------|
| A | LIGHT GHOST GRAY | 35237 |
| B | DARK GHOST GRAY | 36375 |
| C | RADOME TAN | 33613 |
| D | JET EXHAUST | ----- |

- A** A.MIG-203
- B** A.MIG-210
- C** A.MIG-012
- D** A.MIG-187

