



RESIN PARTS
FOR SCALE PLASTIC KITS

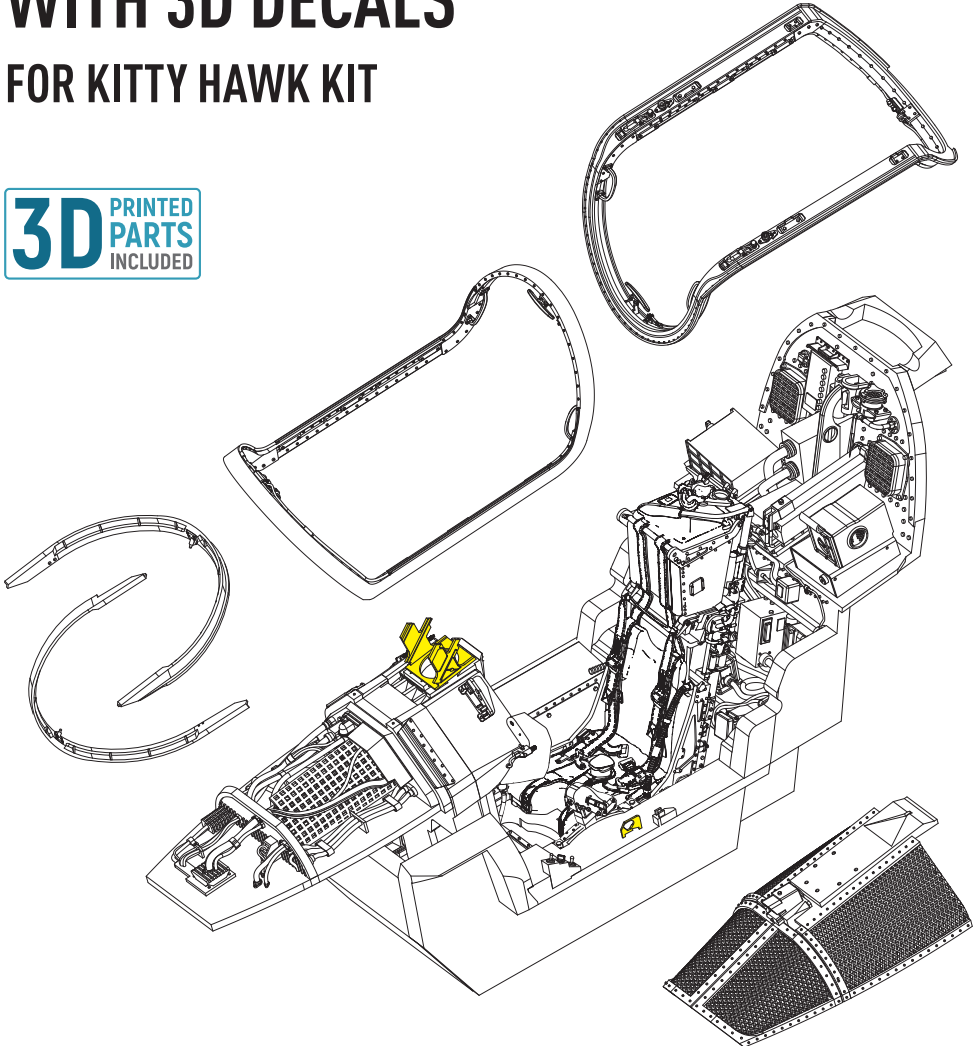
YOU CAN FIND INSTRUCTIONS
IN PDF FORMAT ON THE WEBSITE

INSTRUCTION **RSU32-0058**

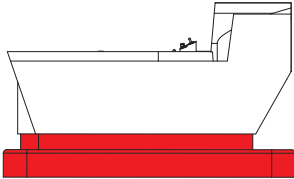
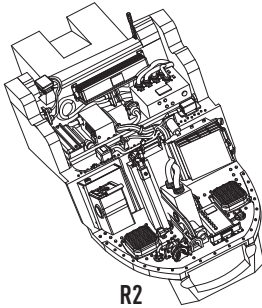
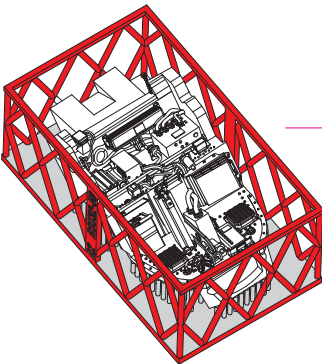
MIRAGE 2000-5 COCKPIT WITH 3D DECALS

FOR KITTY HAWK KIT

3D PRINTED
PARTS
INCLUDED

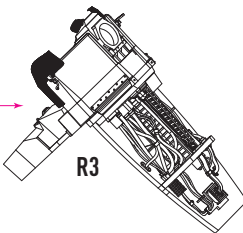
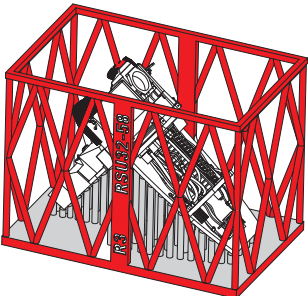


REMOVE PROTECTIVE COVER AND CUT

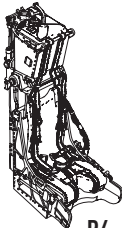
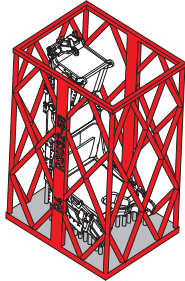


R1

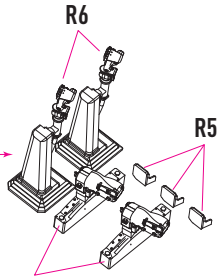
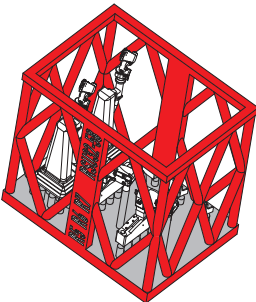
USE A SAW TO REMOVE SUPPORTS FROM 3D PRINTED PARTS



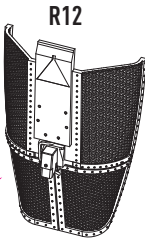
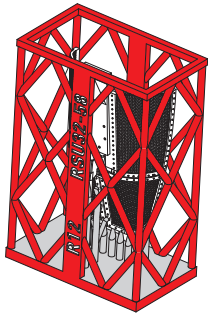
R3



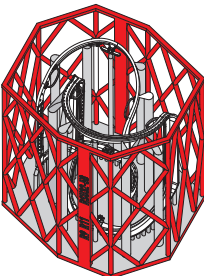
R4



R7

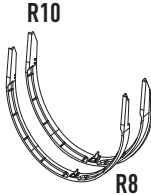
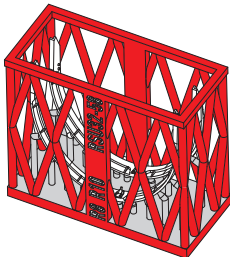


R12



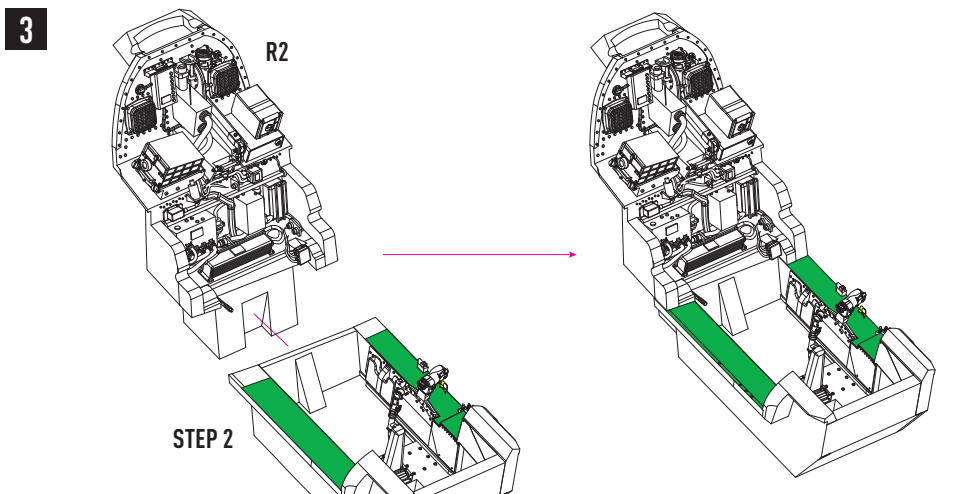
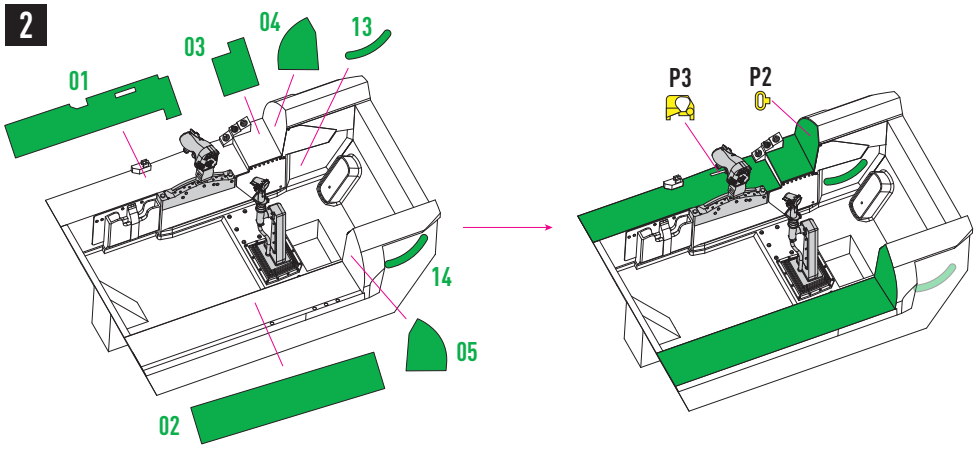
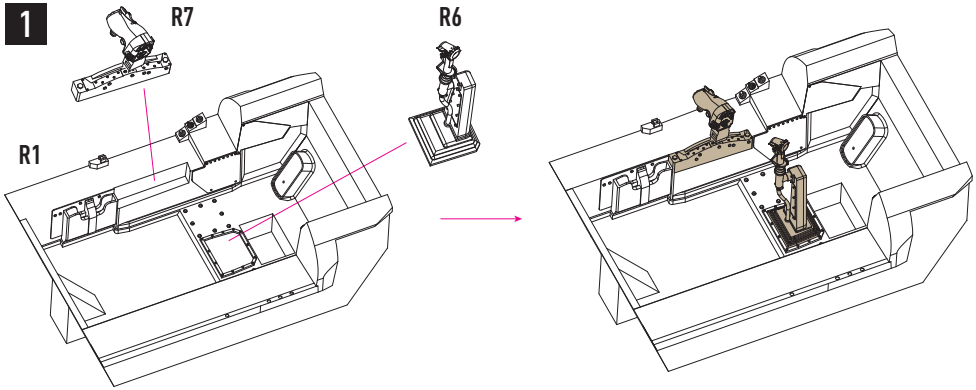
R9

R11

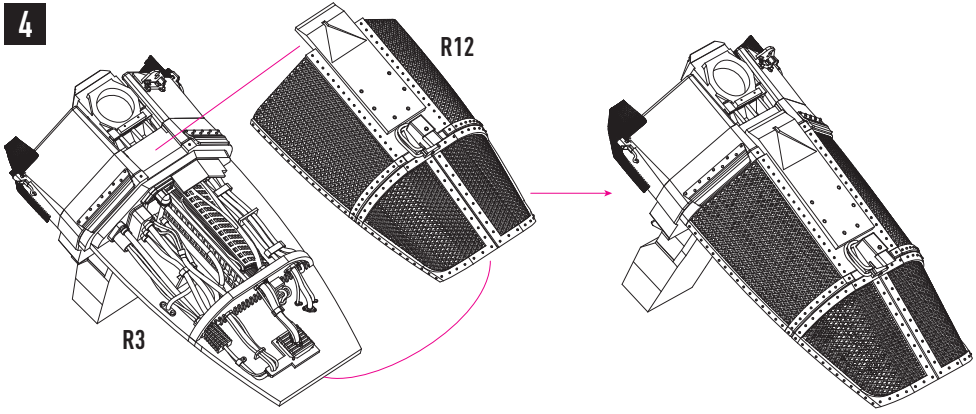


R10

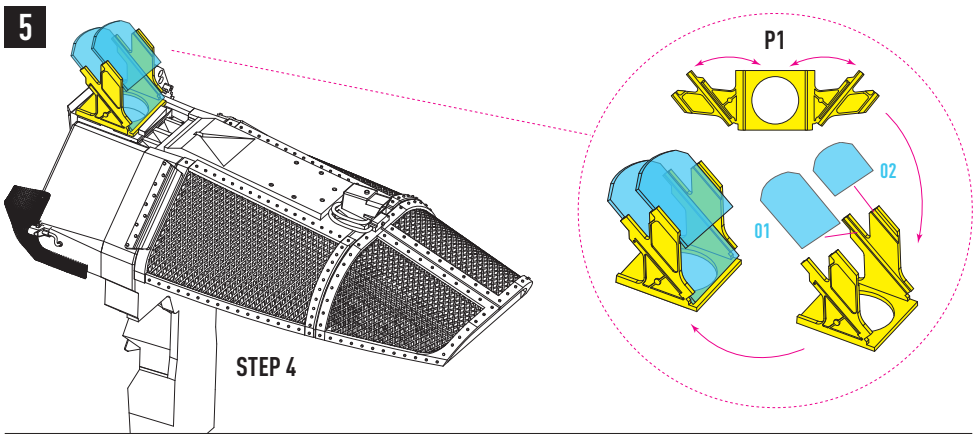
R8



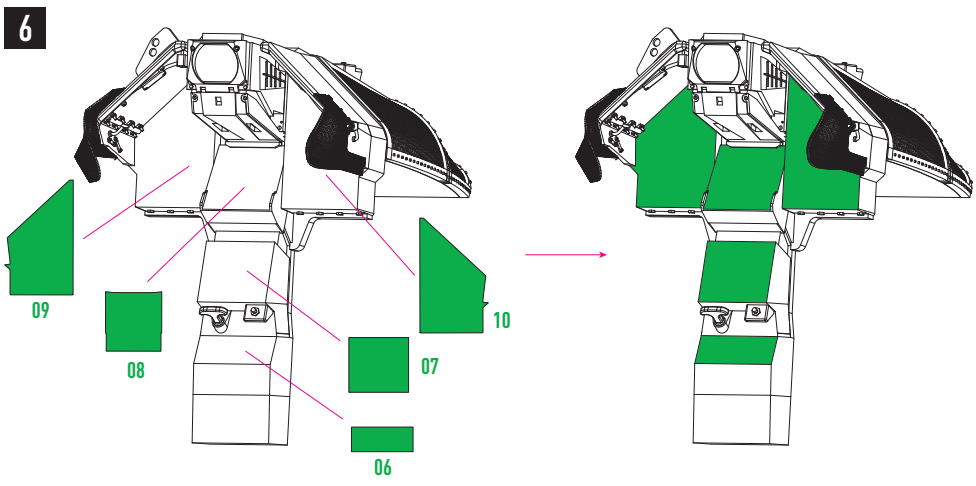
4



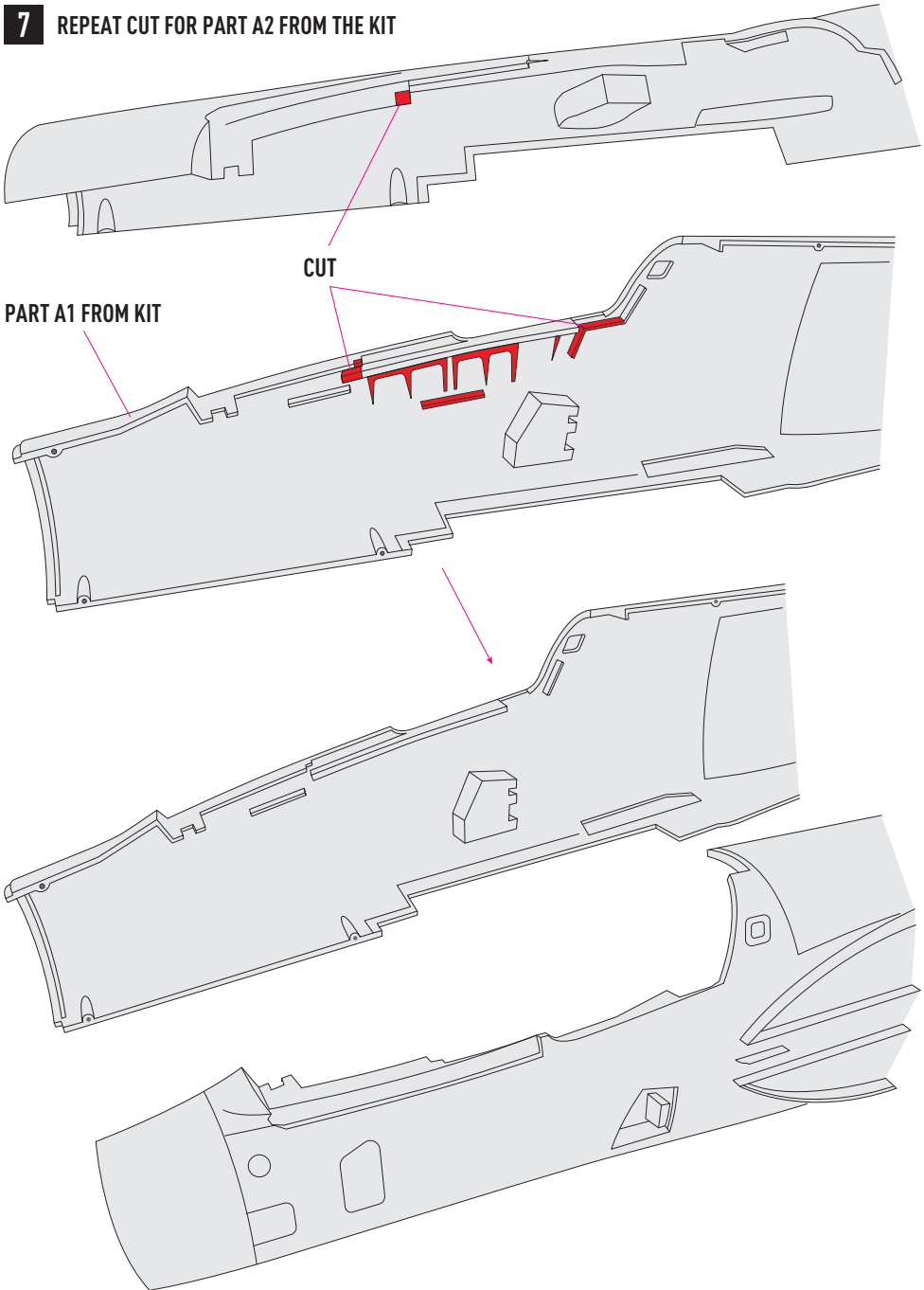
5



6



7 REPEAT CUT FOR PART A2 FROM THE KIT



PART A1 FROM KIT

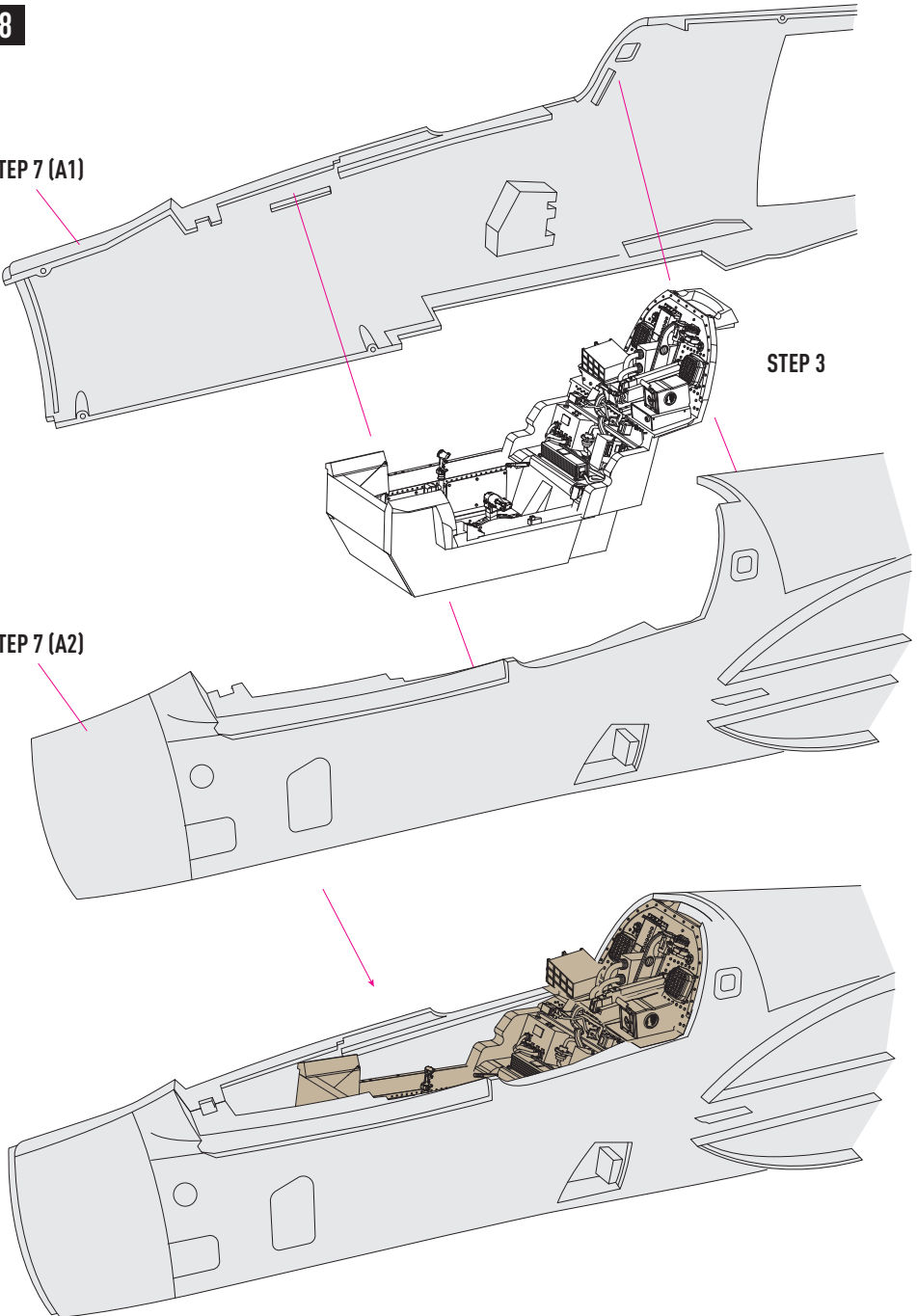
CUT

8

STEP 7 (A1)

STEP 3

STEP 7 (A2)

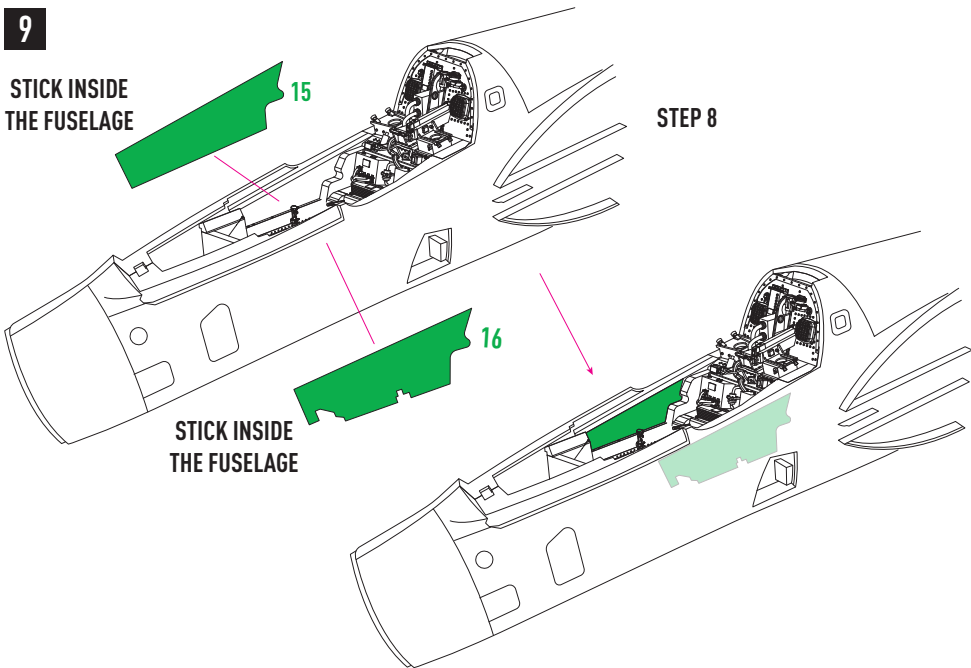


9

STICK INSIDE THE FUSELAGE

15

STEP 8



STICK INSIDE THE FUSELAGE

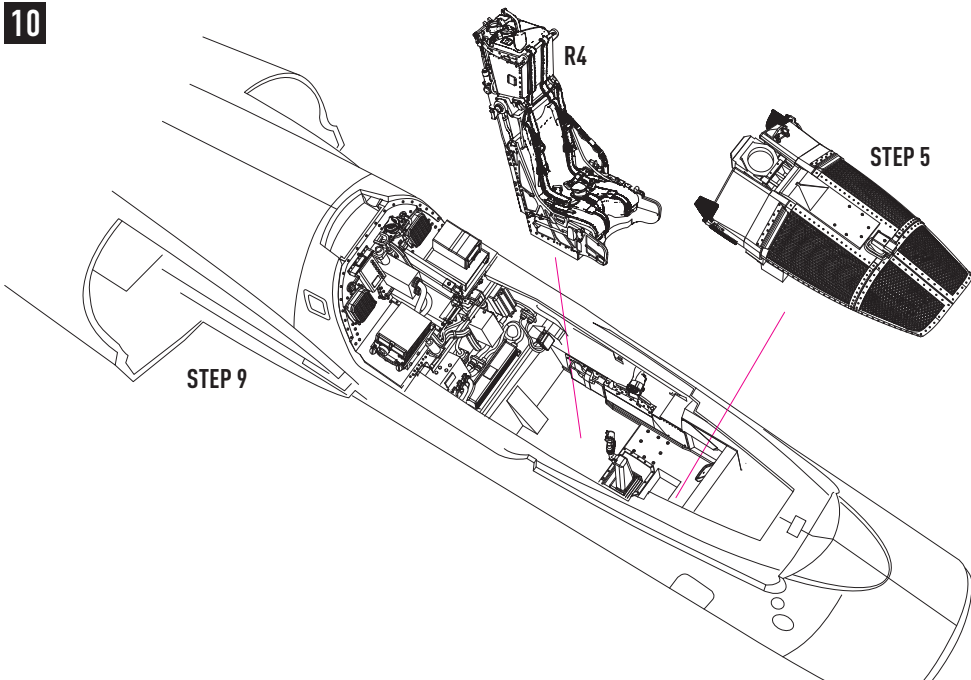
16

10

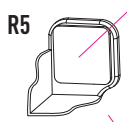
STEP 9

R4

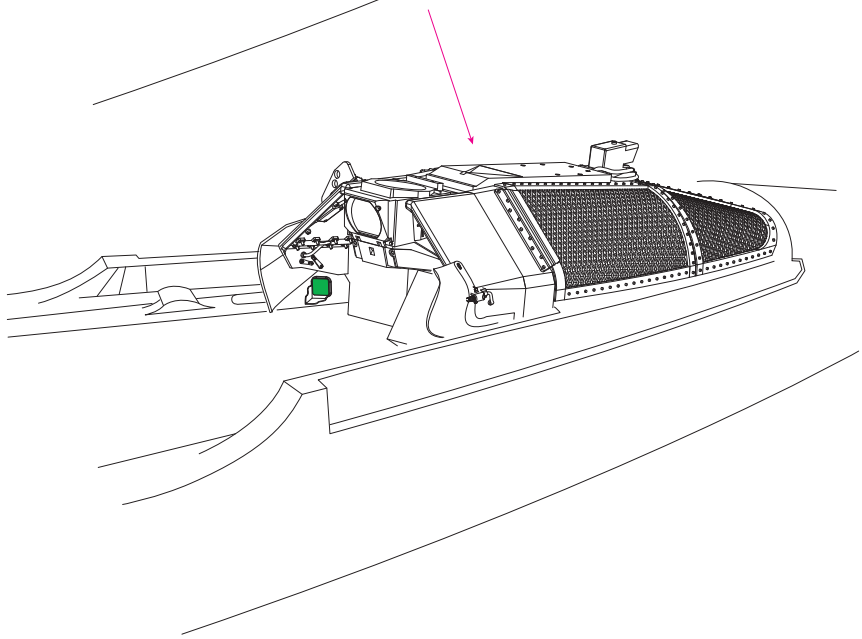
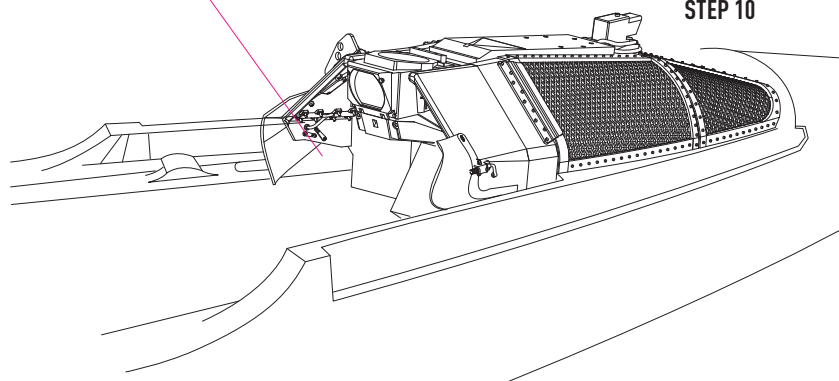
STEP 5



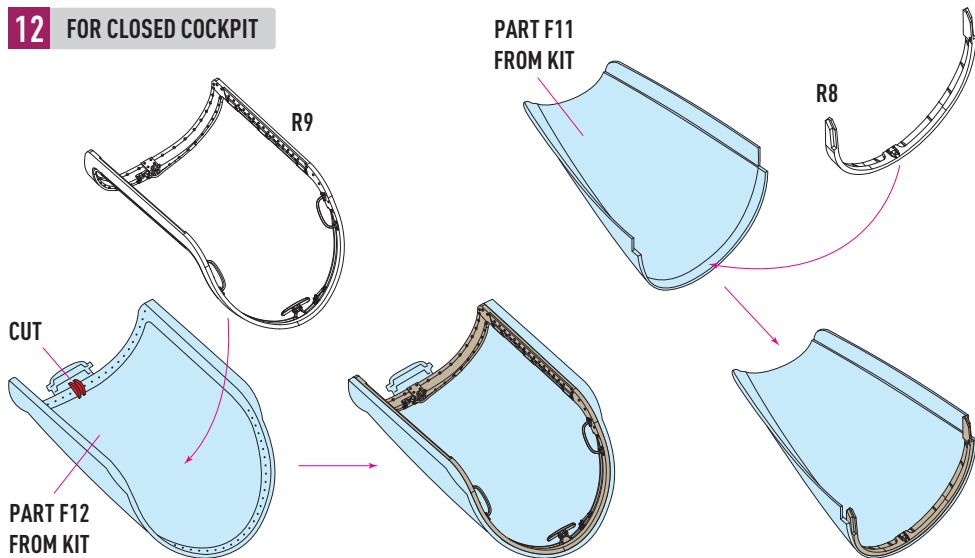
11



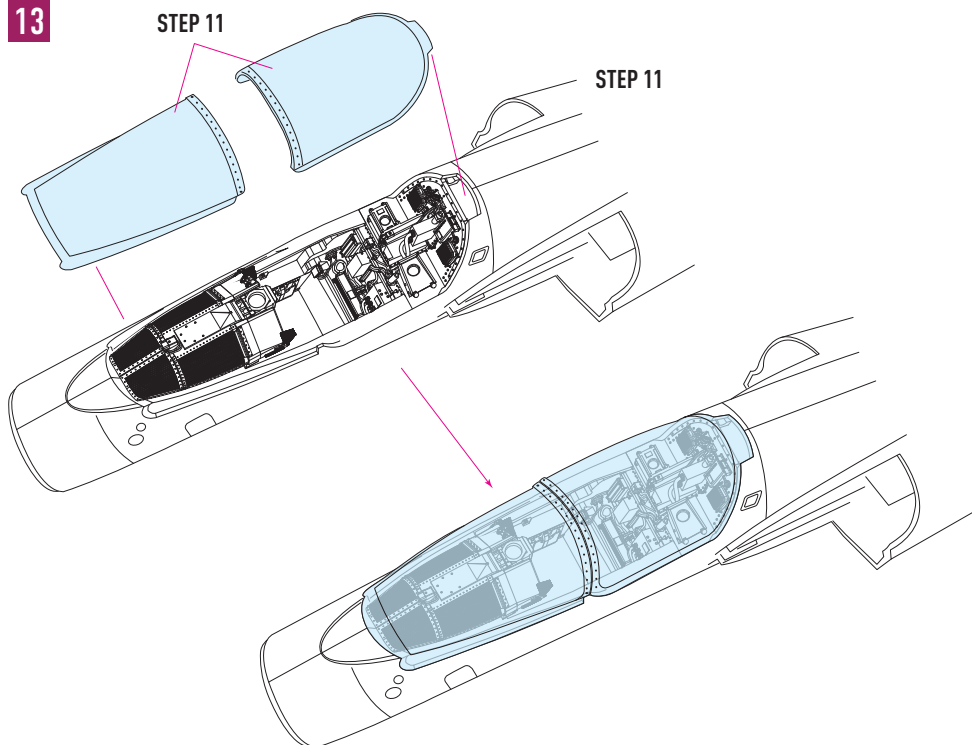
STEP 10



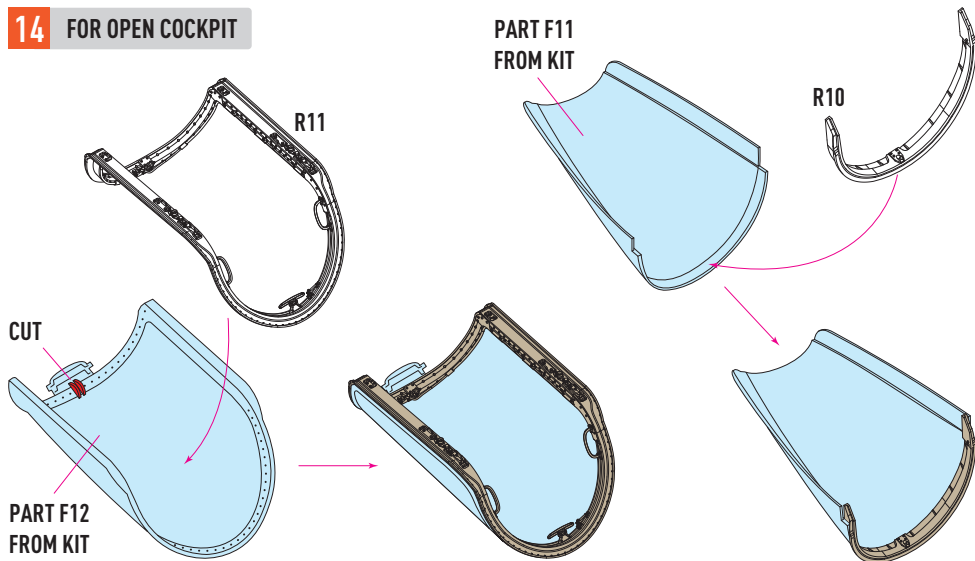
12 FOR CLOSED COCKPIT



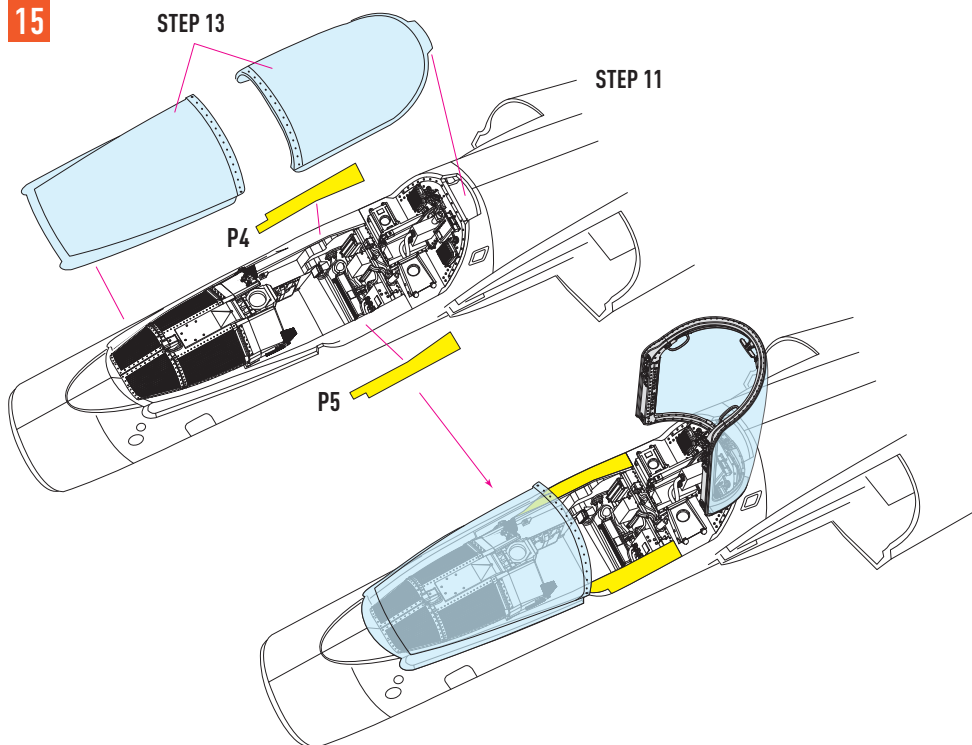
13



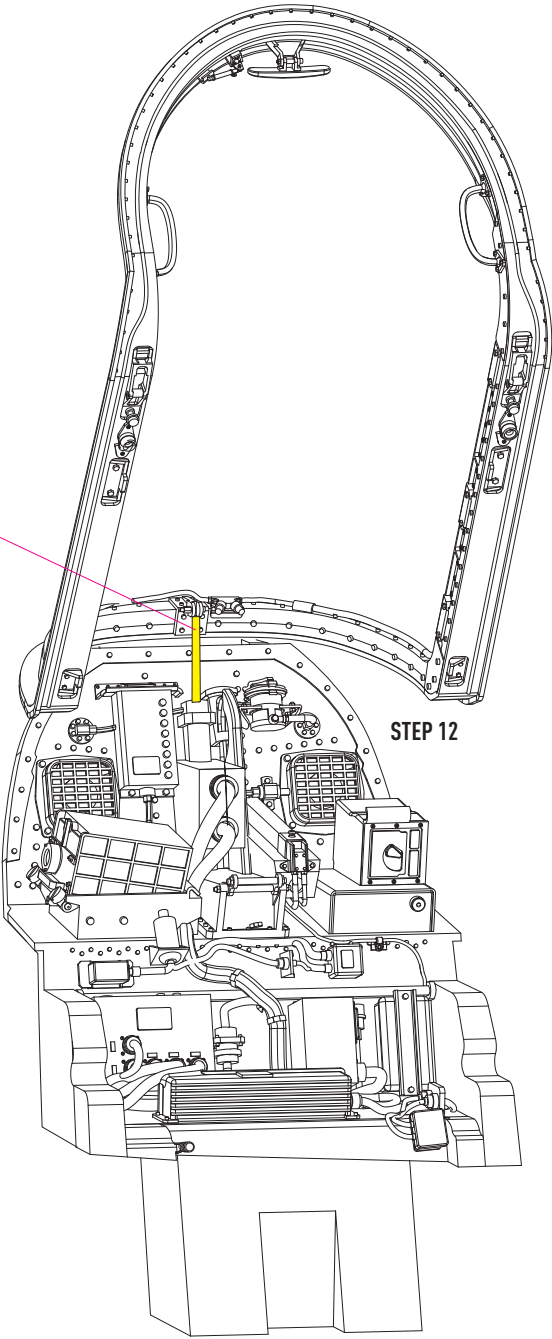
14 FOR OPEN COCKPIT



15



USE WIRE
D= 0.7 MM, L= 6 MM



STEP 12

**YOU CAN FIND INSTRUCTIONS
IN PDF FORMAT ON THE WEBSITE**

RESKIT-MODELS.COM

General Issues: info@reskit.com.ua

Wholesales: sales@reskit.com.ua

Claim Resolution: claims@reskit.com.ua