

1:48 Scale

RA-5C Vigilante

RA-5C 民团团员

READ BEFORE ASSEMBLY

- Study and understand these instructions thoroughly before beginning assembly. Make sure all parts are included by comparing them to those shown on pages 2 & 3 of these instructions.
- Remove parts from sprues as needed, and trim excess with a hobby knife. Be careful not to lose small parts.
- Remove photo-etch parts from sprue as needed using a hobby knife or photo etch cutter.
- Apply cement to photo etch parts as shown on instructions. Applying too much cement will restrict the operation of these

movable parts. Apply cement carefully! Removed photo etch parts can have sharp edges. Take care when handling these to avoid injury.

- Apply decals to necessary parts prior to assembly.
- Additional tools recommended(not included):Sprue cutter, Long nose pliers, hobby knife, file, tweezers, pin vise, scissors, cement, sandpaper, soft cloth, glue and paint.
- Keep all parts out of reach of children, as they pose a choking hazard. Discard all unnecessary bags and sprues when model is completed to avoid accidental injury.

装配之前仔细阅读

- 小心用模型锉刀锉平所有零件表面的注射浇口。
- 小心用刀片切下蚀刻片零件，不要遗失小零件。
- 用强力快干胶水粘合蚀刻片零件和金属轴。过量的快干胶水使用可能导致可动零件会粘住，小心涂胶。
- 取蚀刻片时应特别注意安全，防止利边划伤手指。
- 某些零件表面需贴水上贴纸，请选择在装配的同时进行。
- 推荐模型工具(自备)：胶水，水口剪刀，长咀钳，刀片，锉刀，镊子钳，钻，剪刀，瞬间快干胶。
- 软布同砂纸同时也应该是必备工具。
- 请使用塑料胶水和油漆，模型内不含。
- 谨防小孩吸吮塑料零件，或者将塑料袋套在头上，制作时应将套材远离小孩接触。

水贴纸的使用：

1. 从水贴上剪下印花；
2. 将印花放入温水中浸10秒，然后放在干净布上。
3. 拿着印花纸板将印花移到模型上；
4. 手指蘸水将印花移到适当的位置；
5. 用软布轻压印花直至水干，气泡消失。

DECAL APPLICATION

1. Cut off decal from sheet.
2. Dip the decal in tepid water 40°C for about 10 sec. and place on a clean cloth.
3. Hold the backing sheet edge and slide decal onto the model.
4. Move decal into position by wetting decal with finger.
5. Press decal gently down with a soft cloth until excess water and air bubbles are gone.



cyanoacrylate glue
使用强力胶



weight
配重



make hole
钻孔



cut / remove
切除



option
选择



no cement
不涂胶水



decal
贴纸



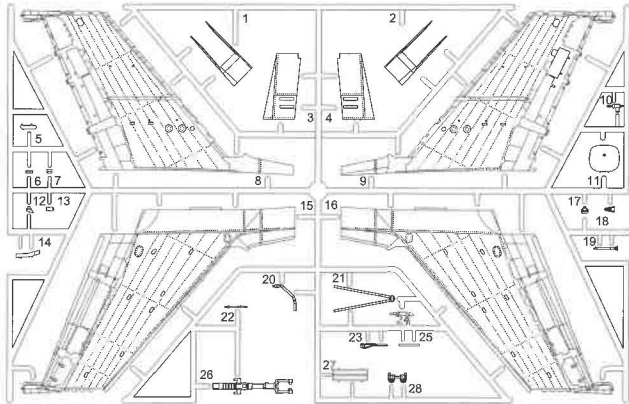
bend
弯曲



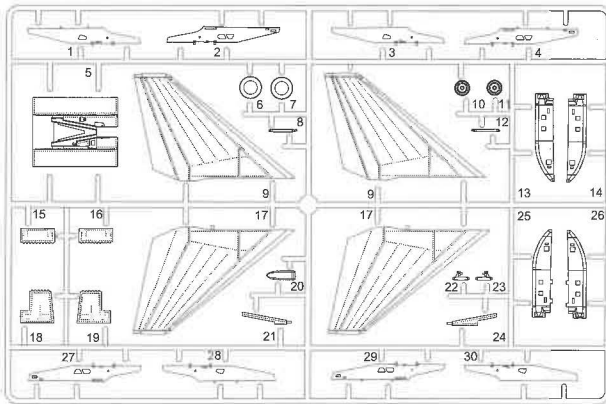
file / sand
锉平

部品图 Parts

B



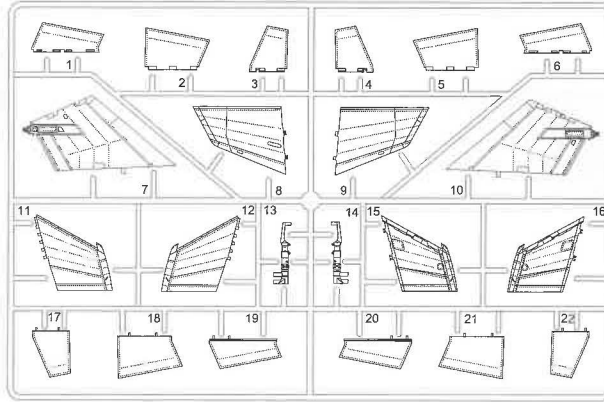
D



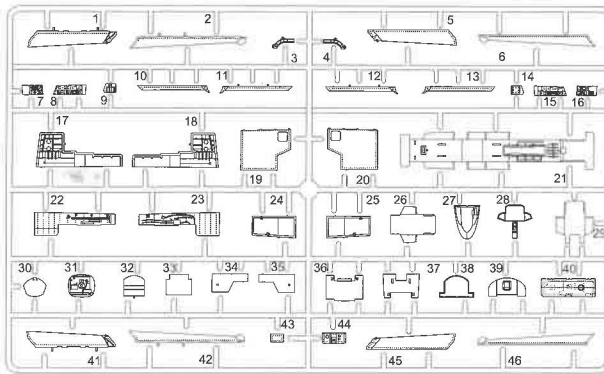
A1



C



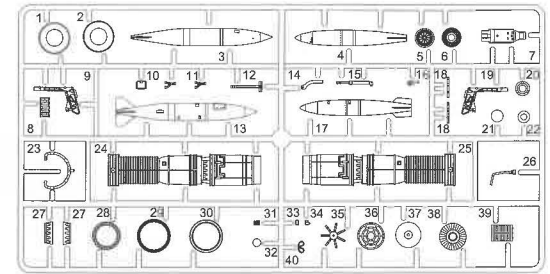
E



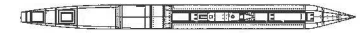
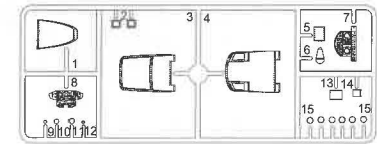
A2



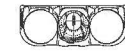
G×2



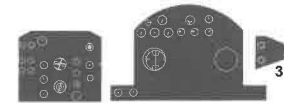
H



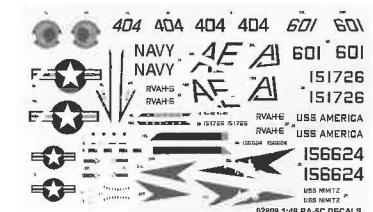
吊舱
Cabin



机尾
Tail

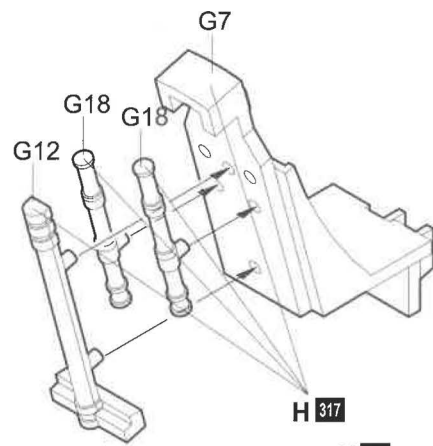


菲林
Film

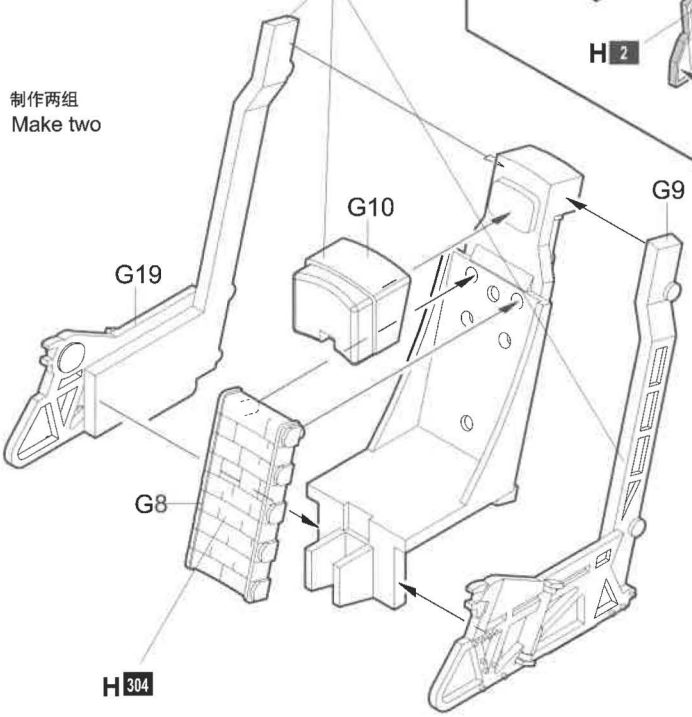


水贴纸
Decals

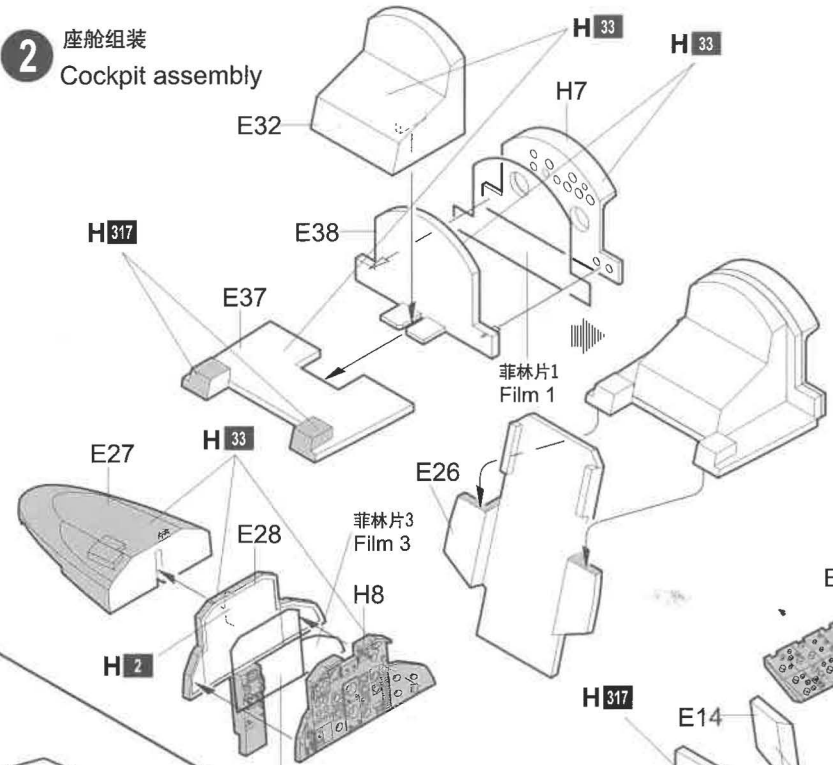
1 飞行员座椅的组装
Pilot seat assembly



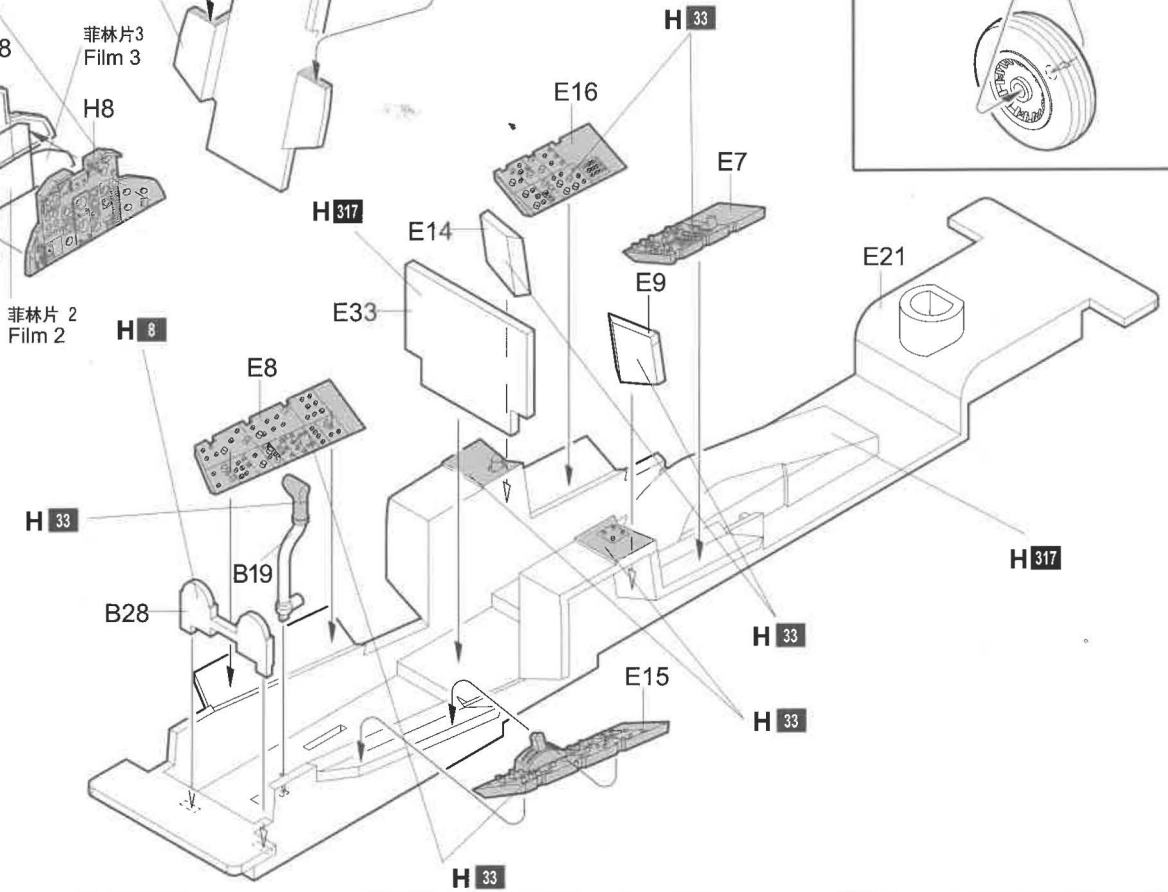
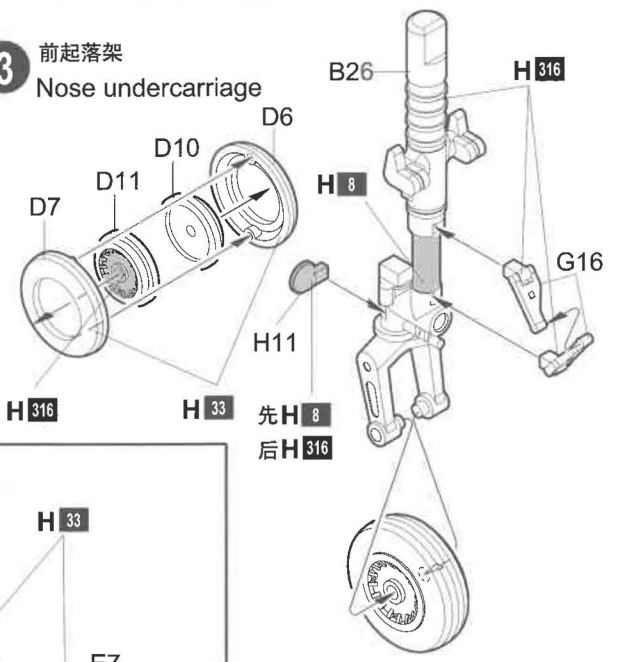
制作两组
Make two



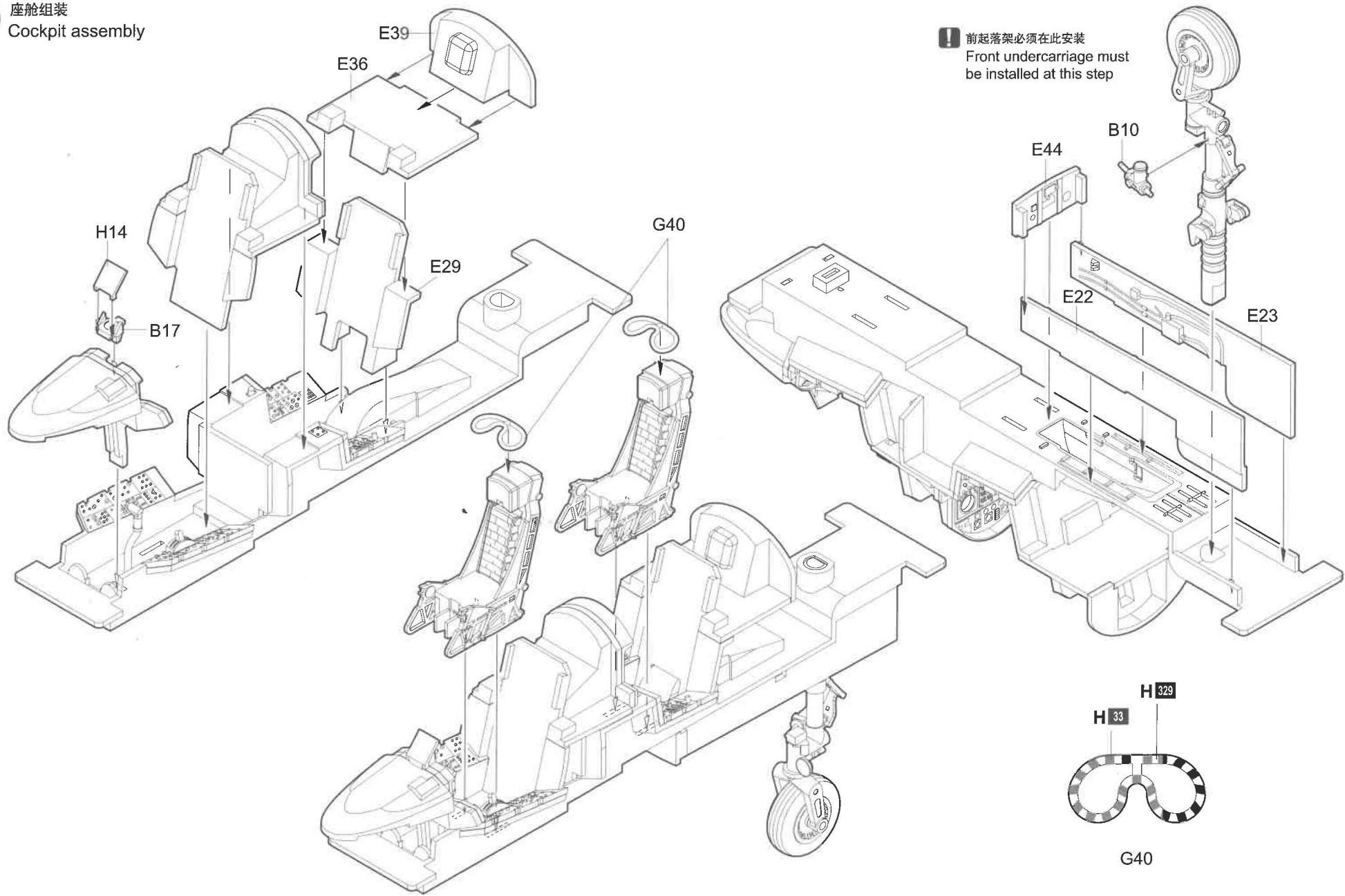
2 座舱组装
Cockpit assembly



3 前起落架
Nose undercarriage

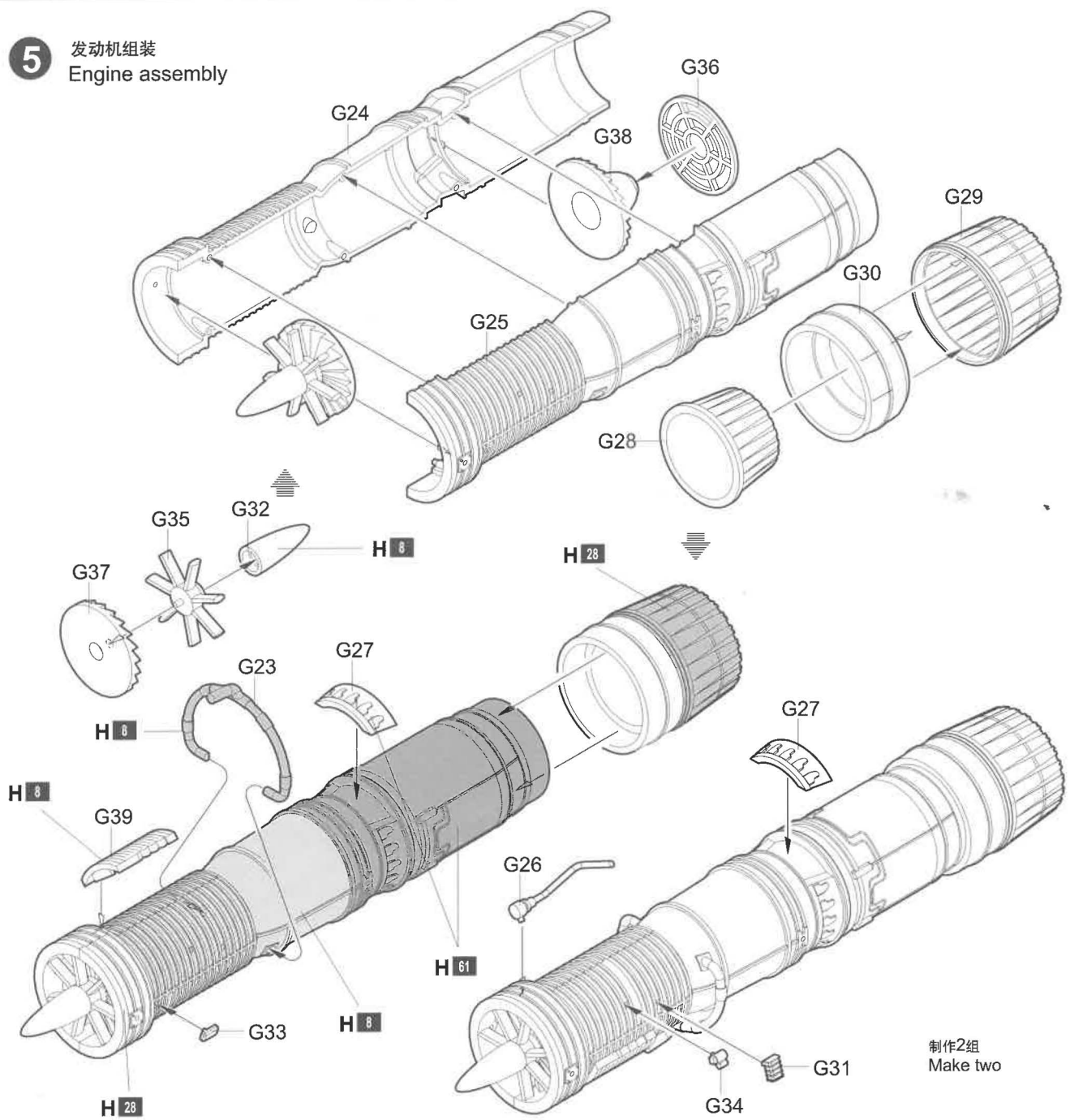


4 座舱组装
Cockpit assembly

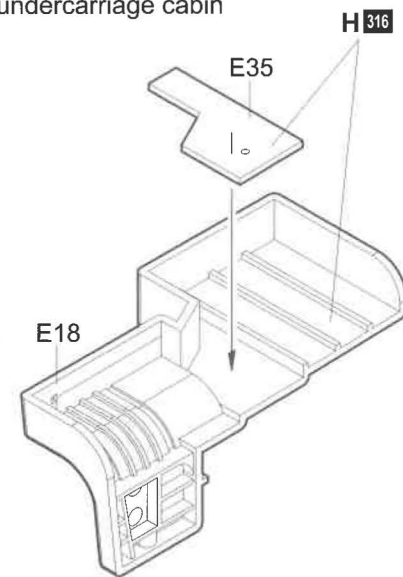


! 前起落架必须在此安装
Front undercarriage must be installed at this step

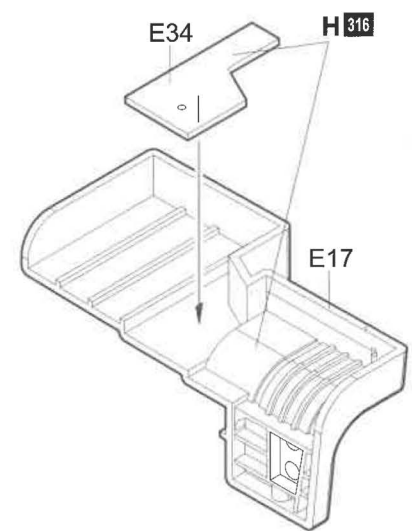
5 发动机组装
Engine assembly



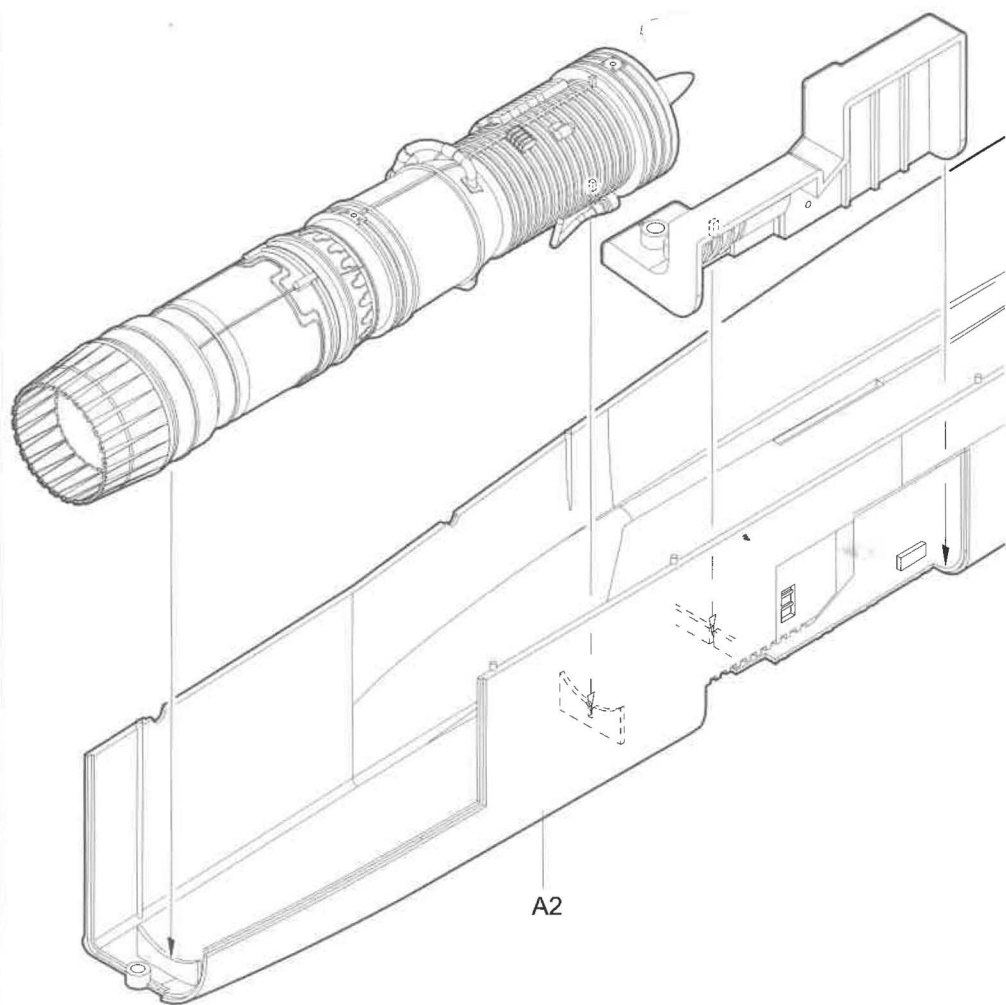
6 左起落架舱
Left undercarriage cabin



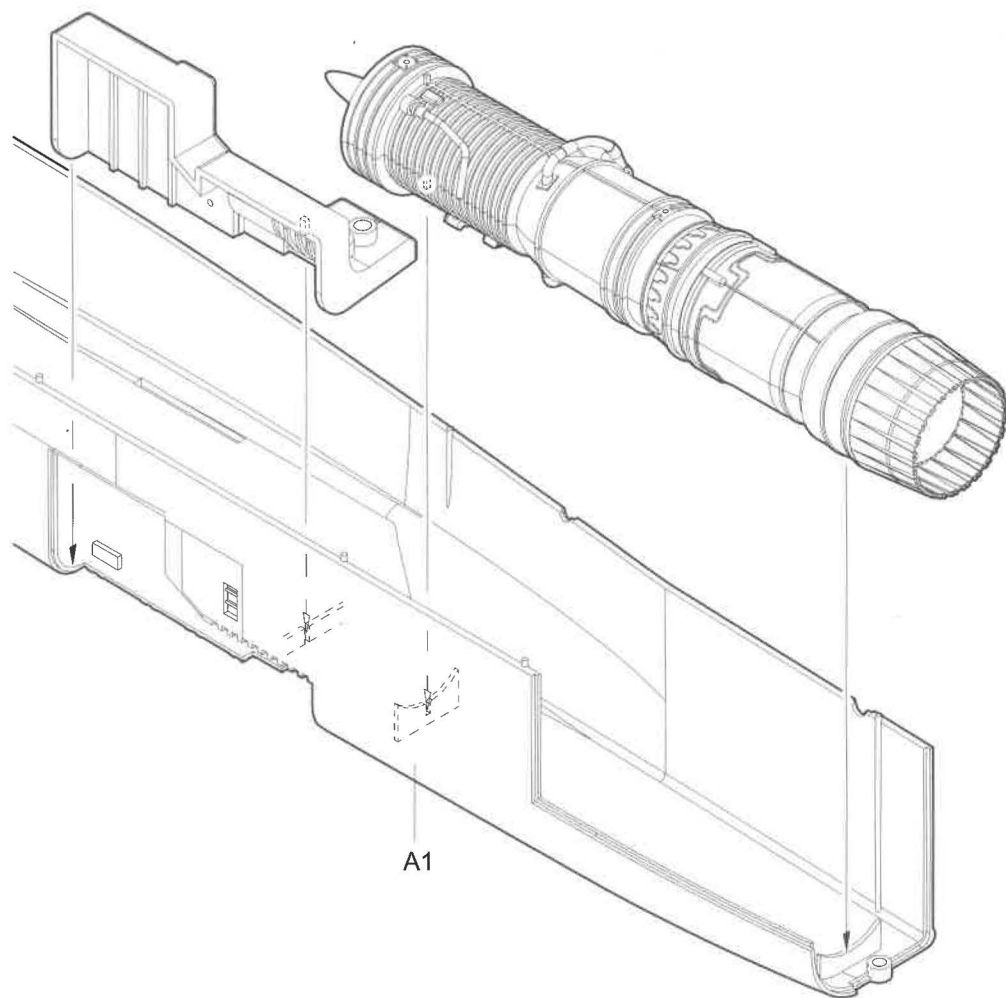
7 右起落架舱
Right undercarriage cabin



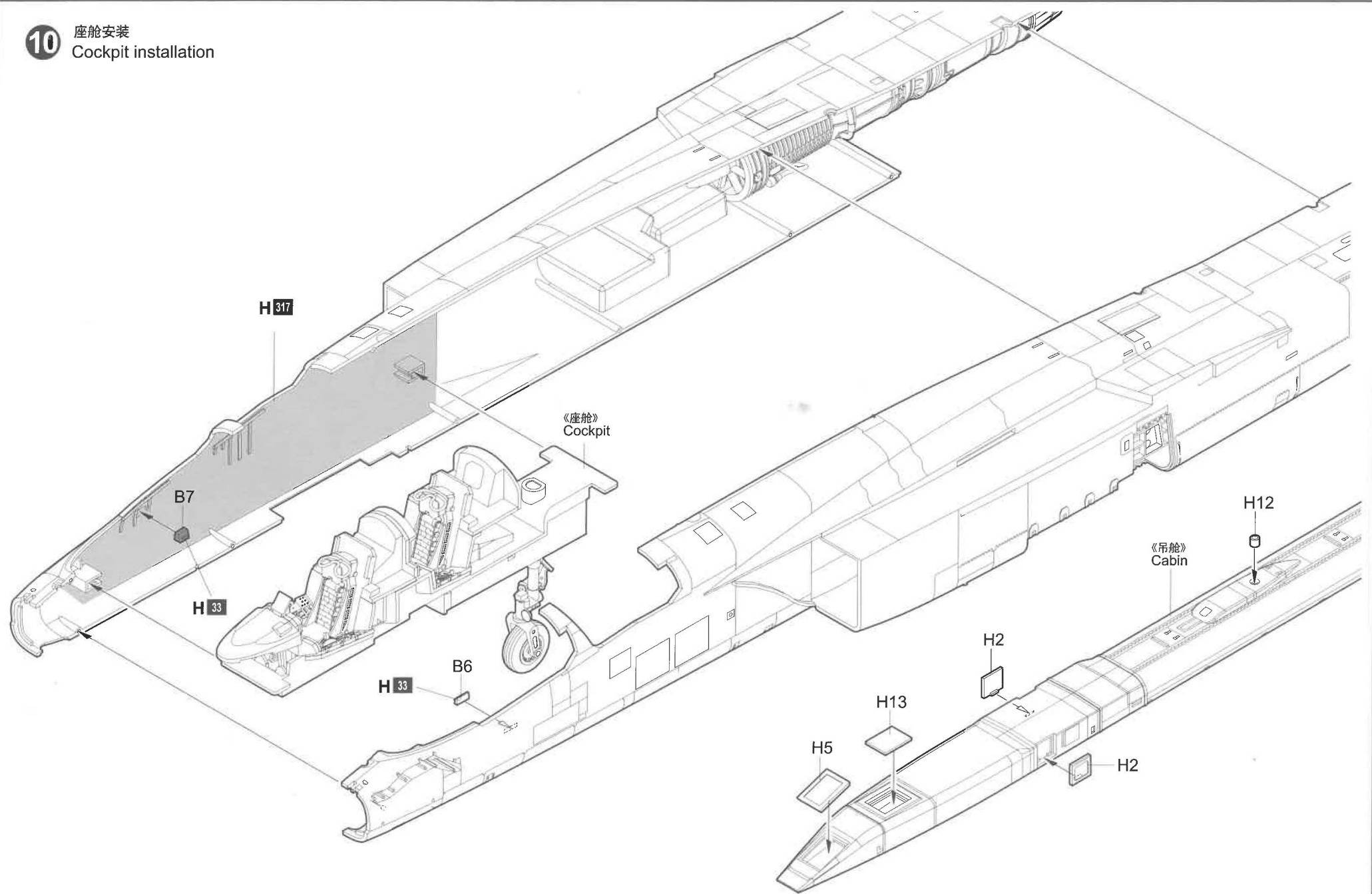
8 左发动机安装
Left engine intallation

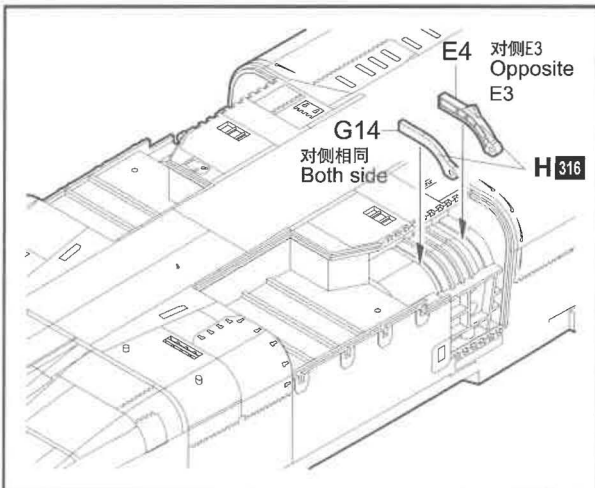


9 右发动机安装
Right engine intallation

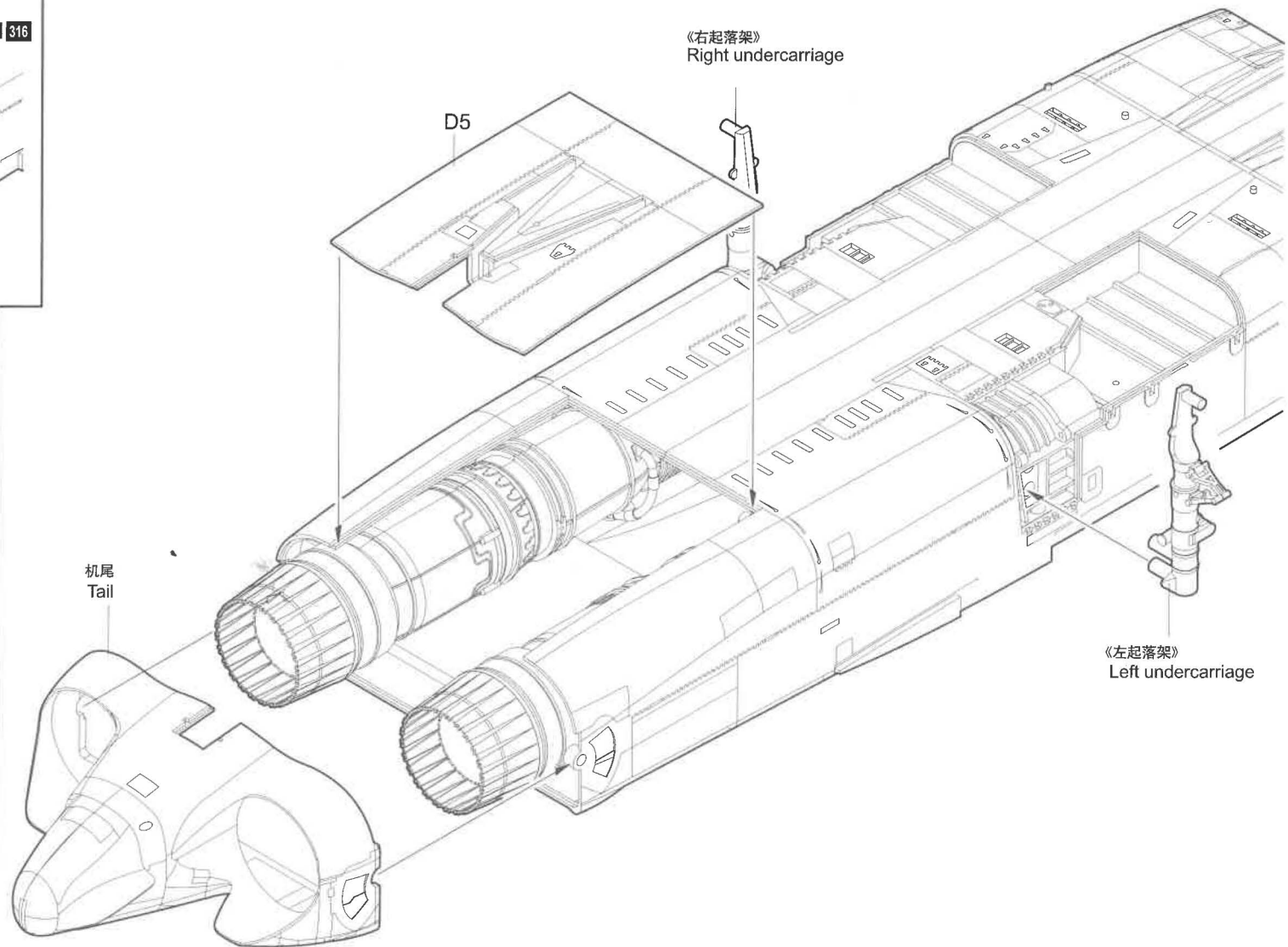
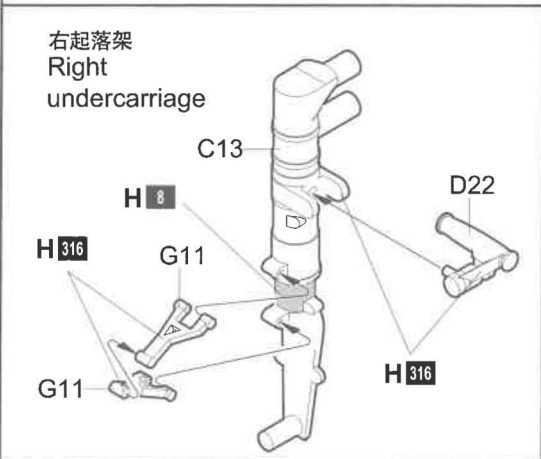
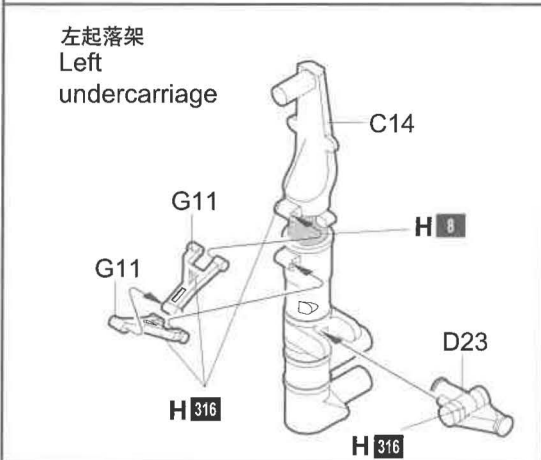


10 座舱安装
Cockpit installation

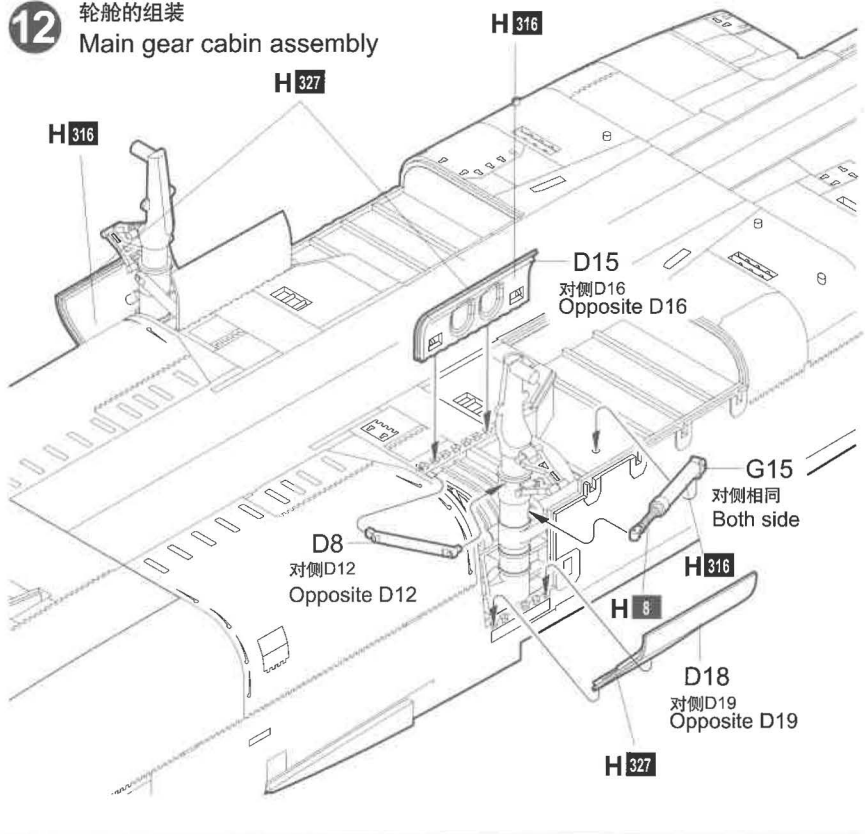




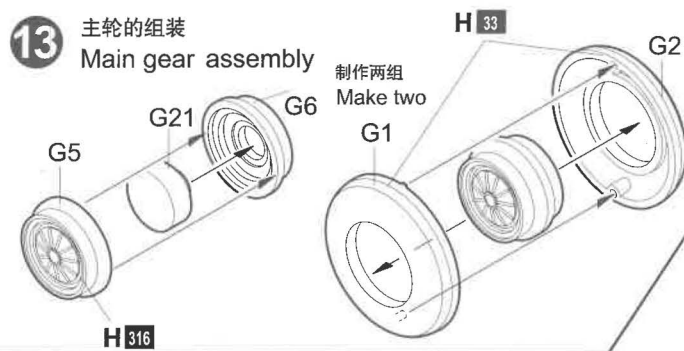
11 起落架的安装
Undercarriage installation



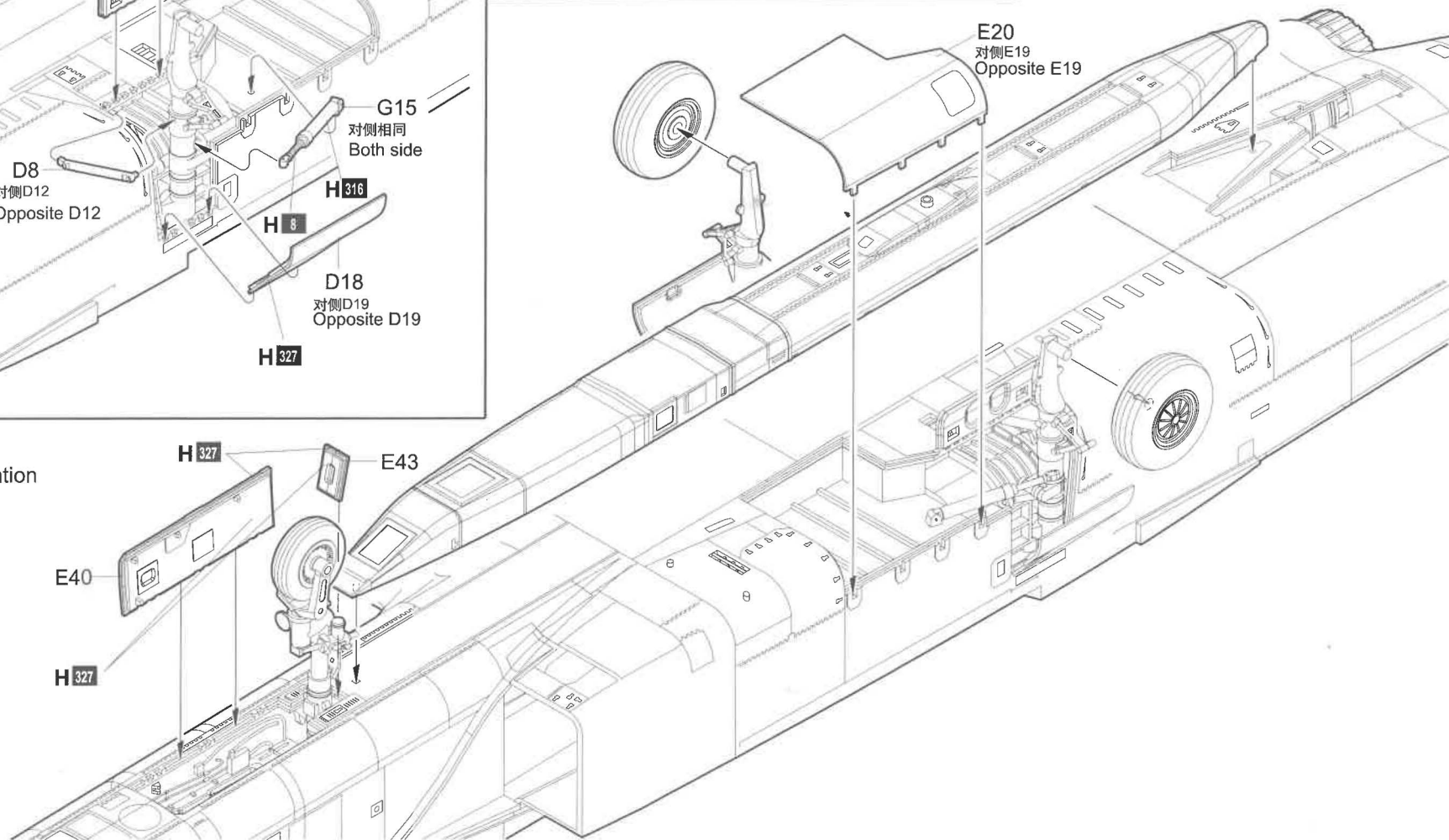
12 轮舱的组装
Main gear cabin assembly



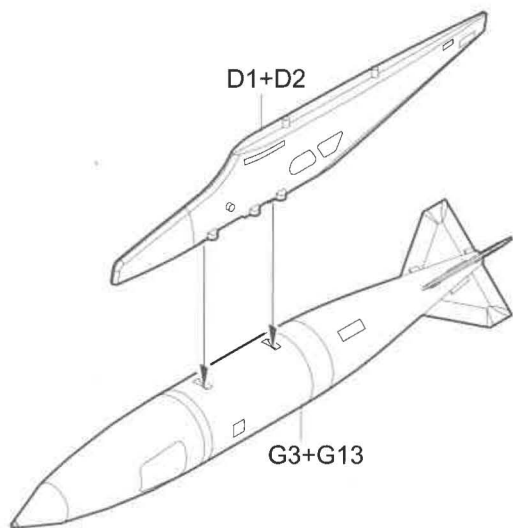
13 主轮的组装
Main gear assembly



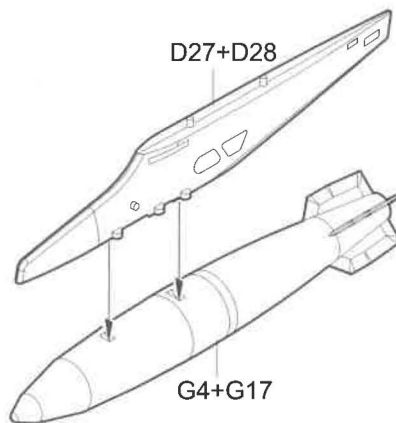
14 主轮的安装
Main gear installation



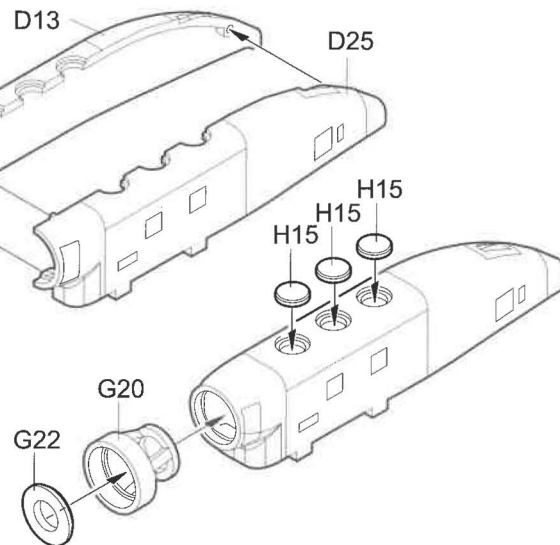
15 左侧MK-28挂弹
Left MK-28



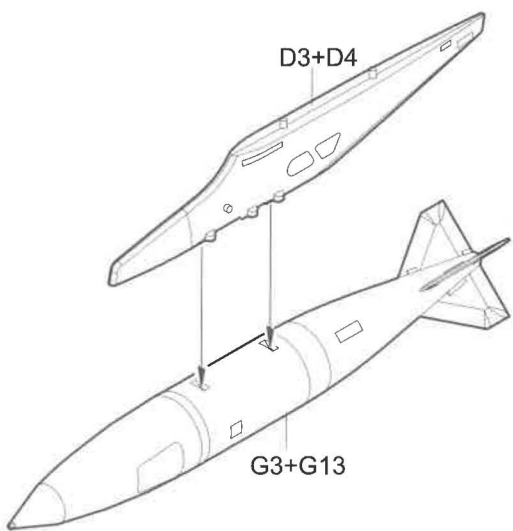
17 左侧MK-43挂弹
Left MK-43



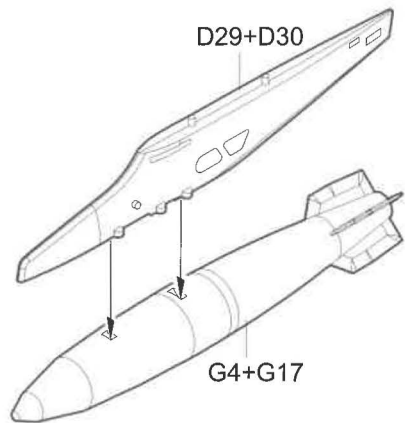
19 左侧闪光吊舱的组装
Left flash pod



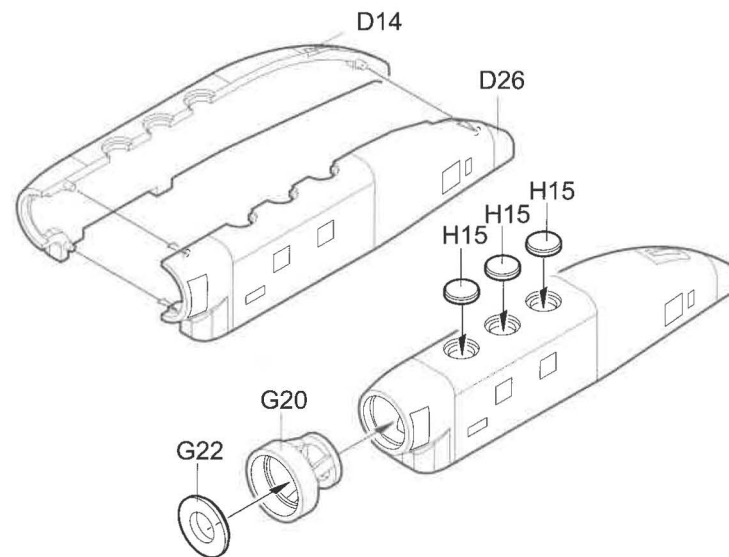
16 右侧MK-28挂弹
Right MK-28



18 右侧MK-43挂弹
Right MK-43

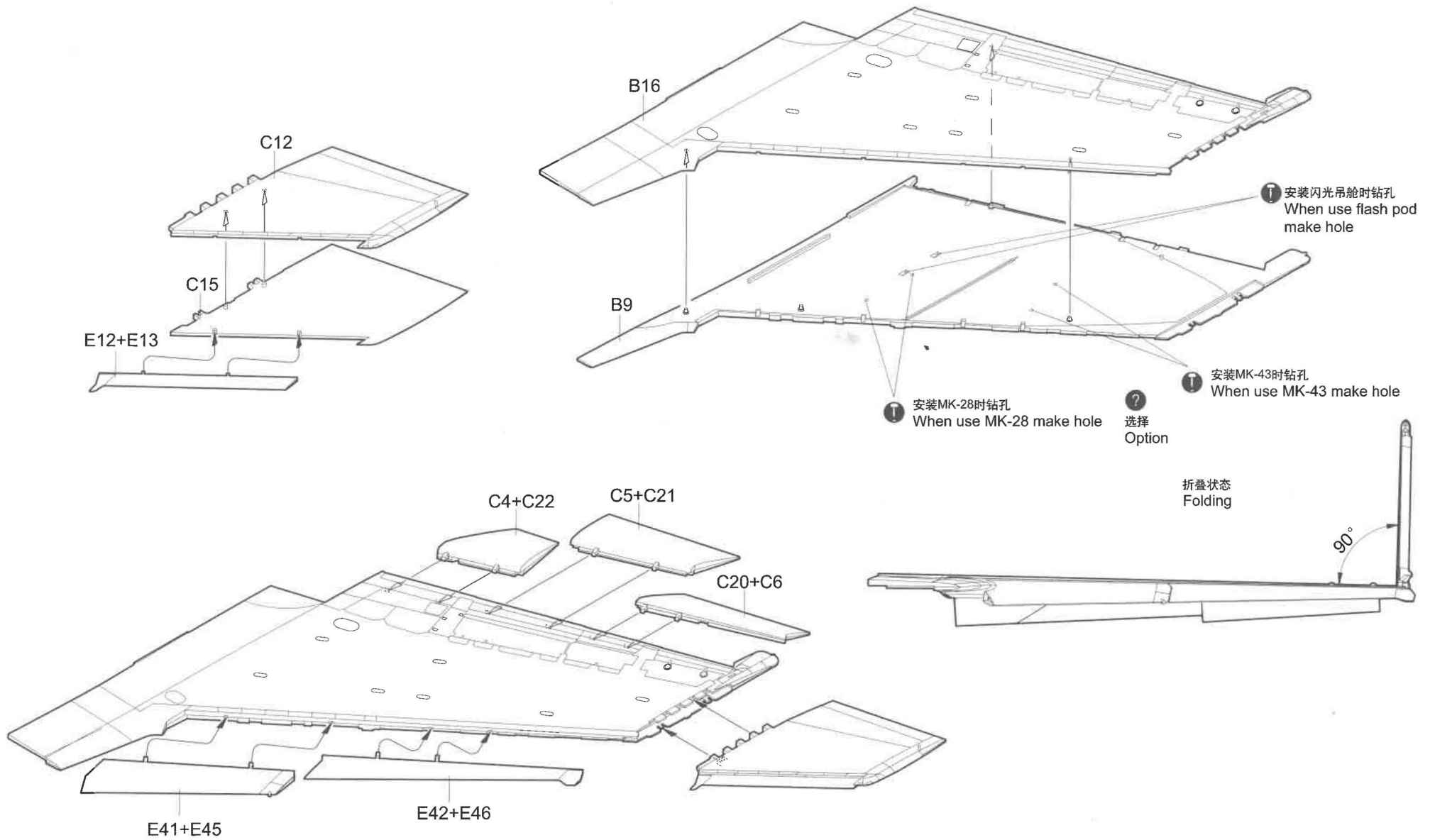


20 右侧闪光吊舱的组装
Right flash pod

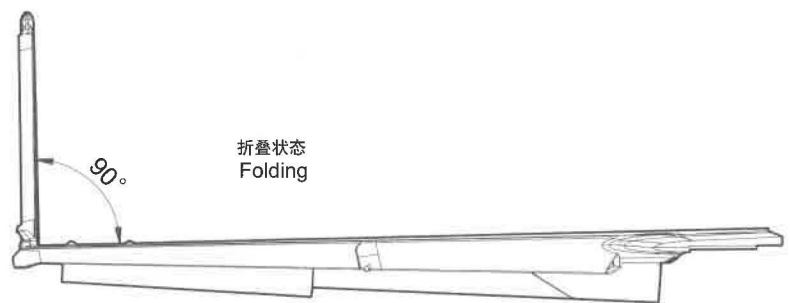
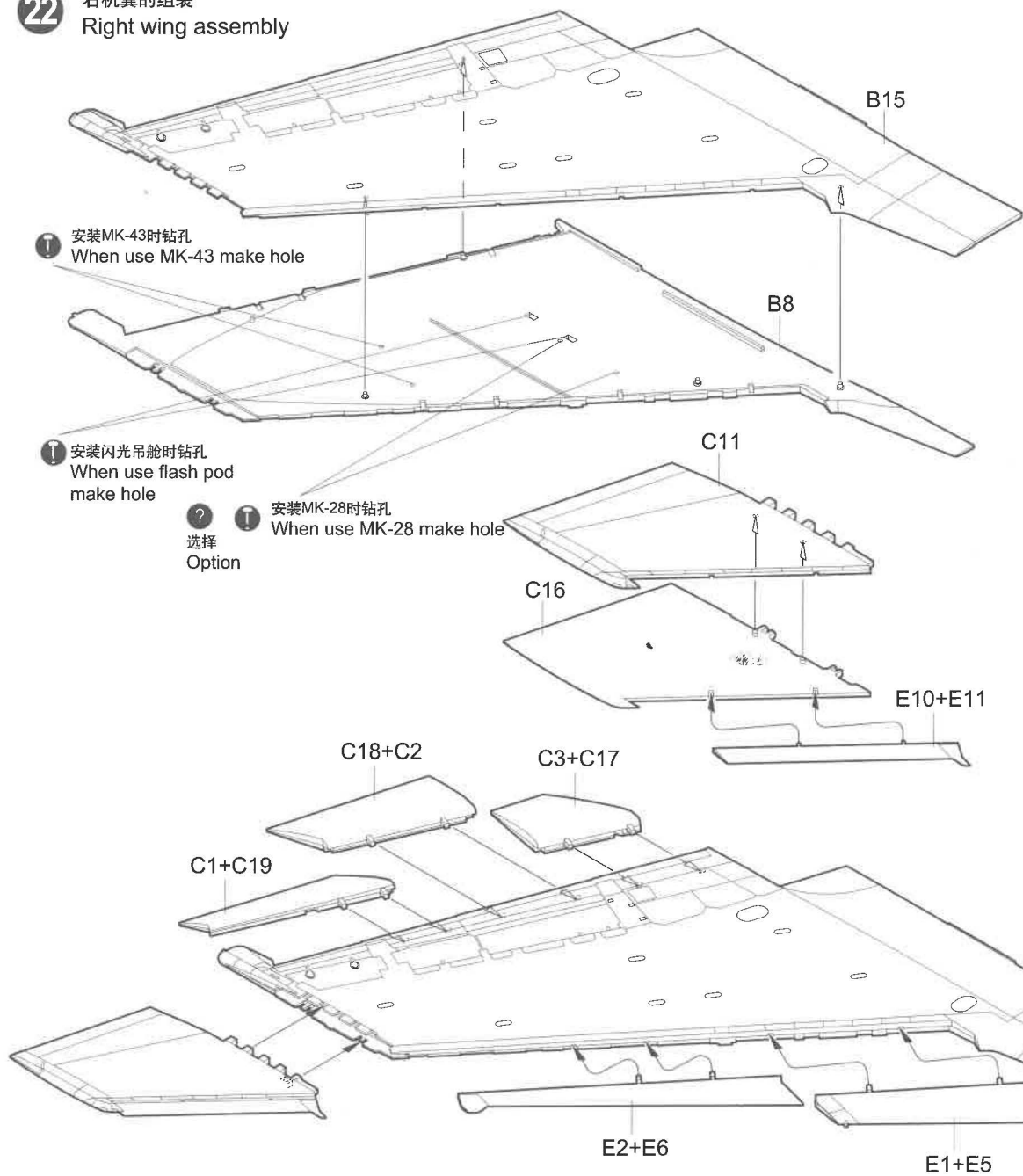


21

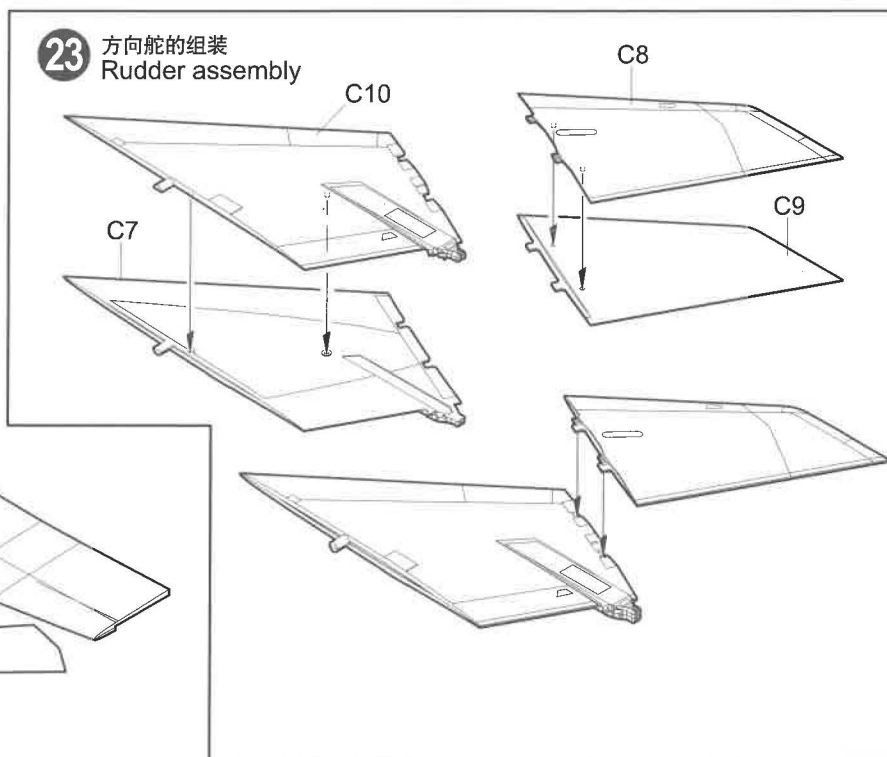
左机翼的组装
Left wing assembly



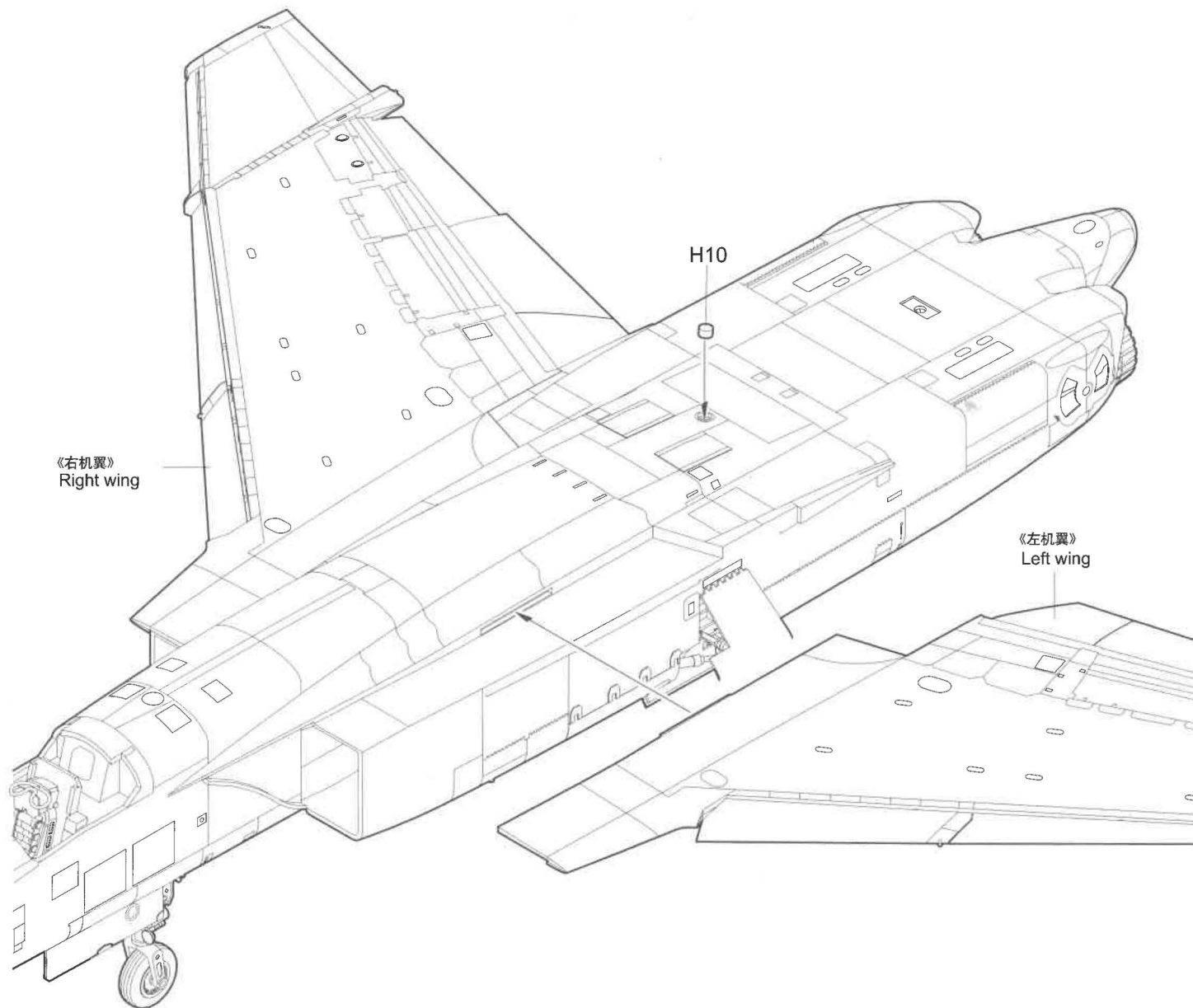
22 右机翼的组装
Right wing assembly



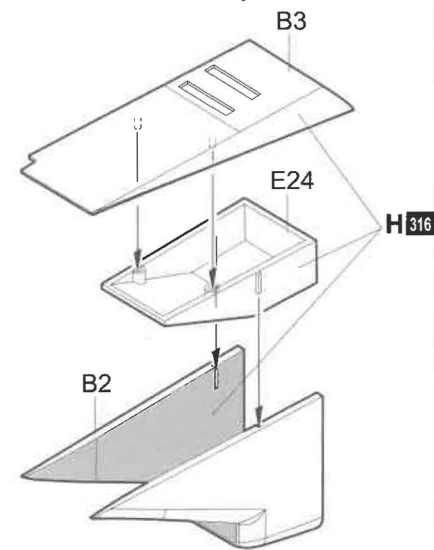
23 方向舵的组装
Rudder assembly



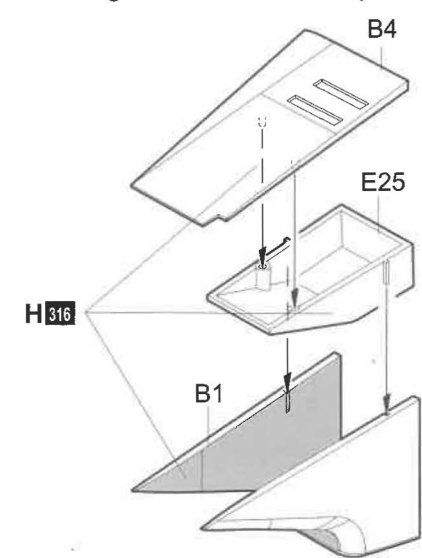
24 机翼的安装
Wings installation



25 左侧进气道的组装
Left air intake assembly

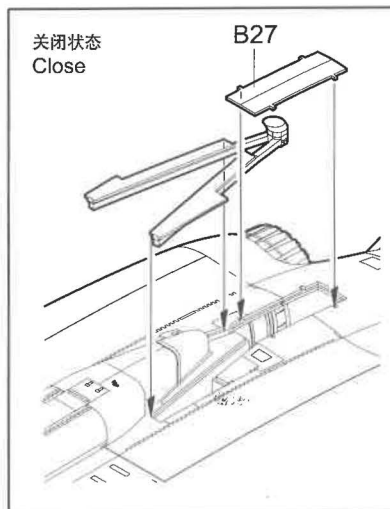
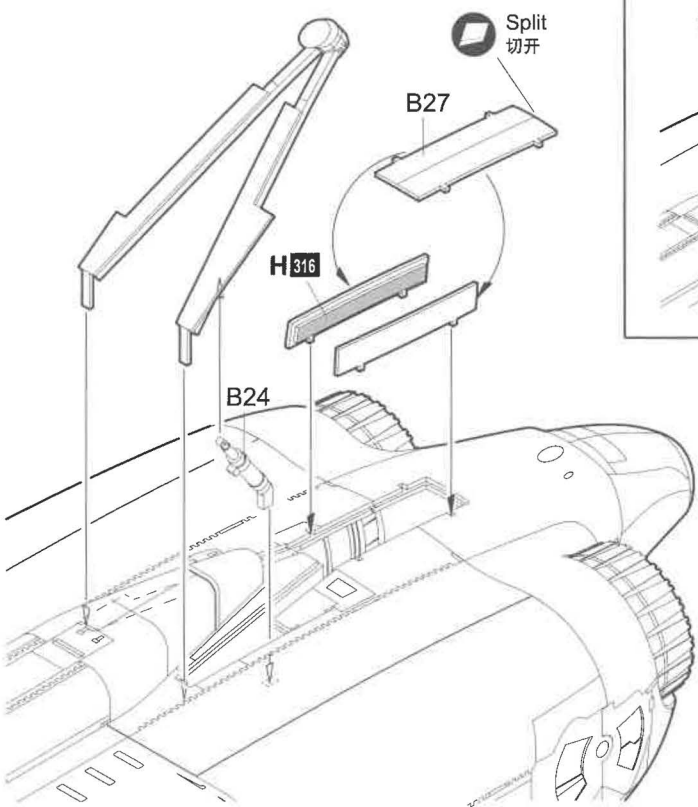
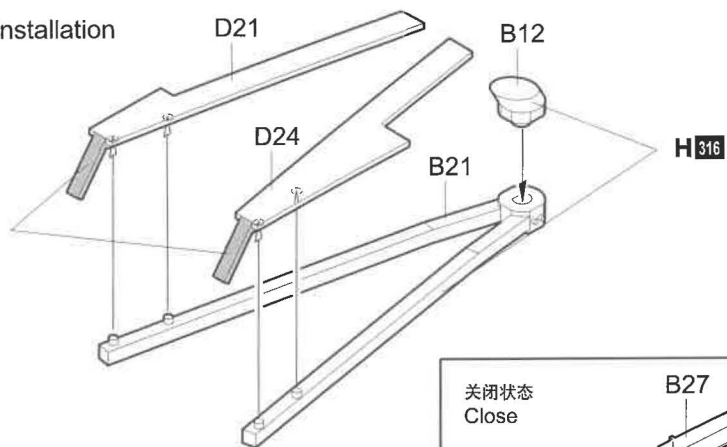


26 右侧进气道的组装
Right air intake assembly

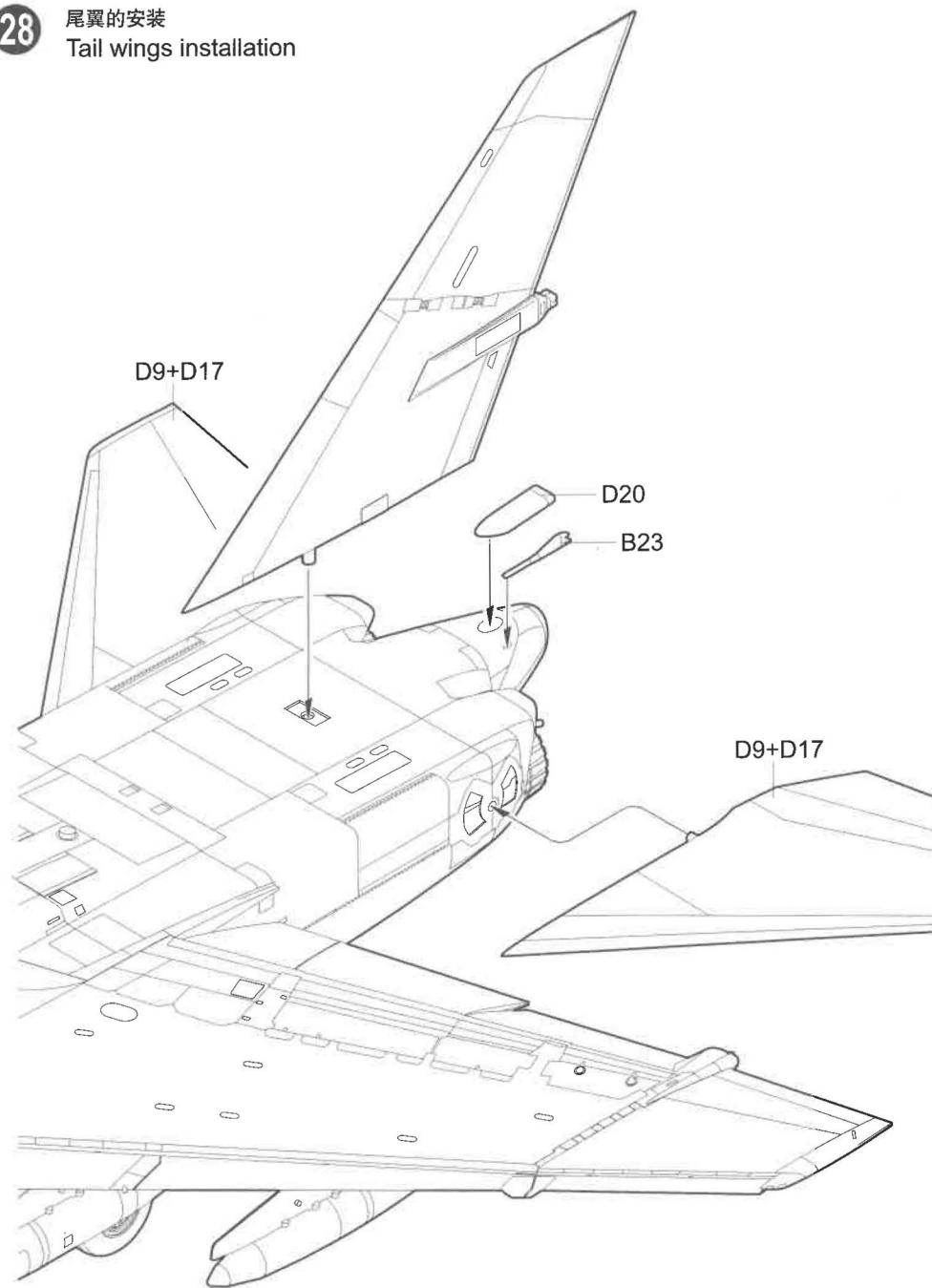


27 尾钩的安装
Tailhook installation

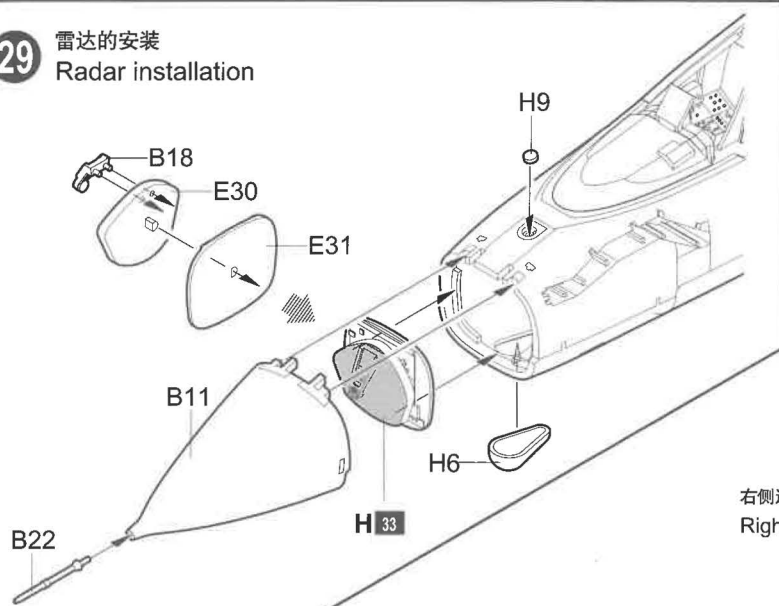
关闭状态时切除
Removed when close



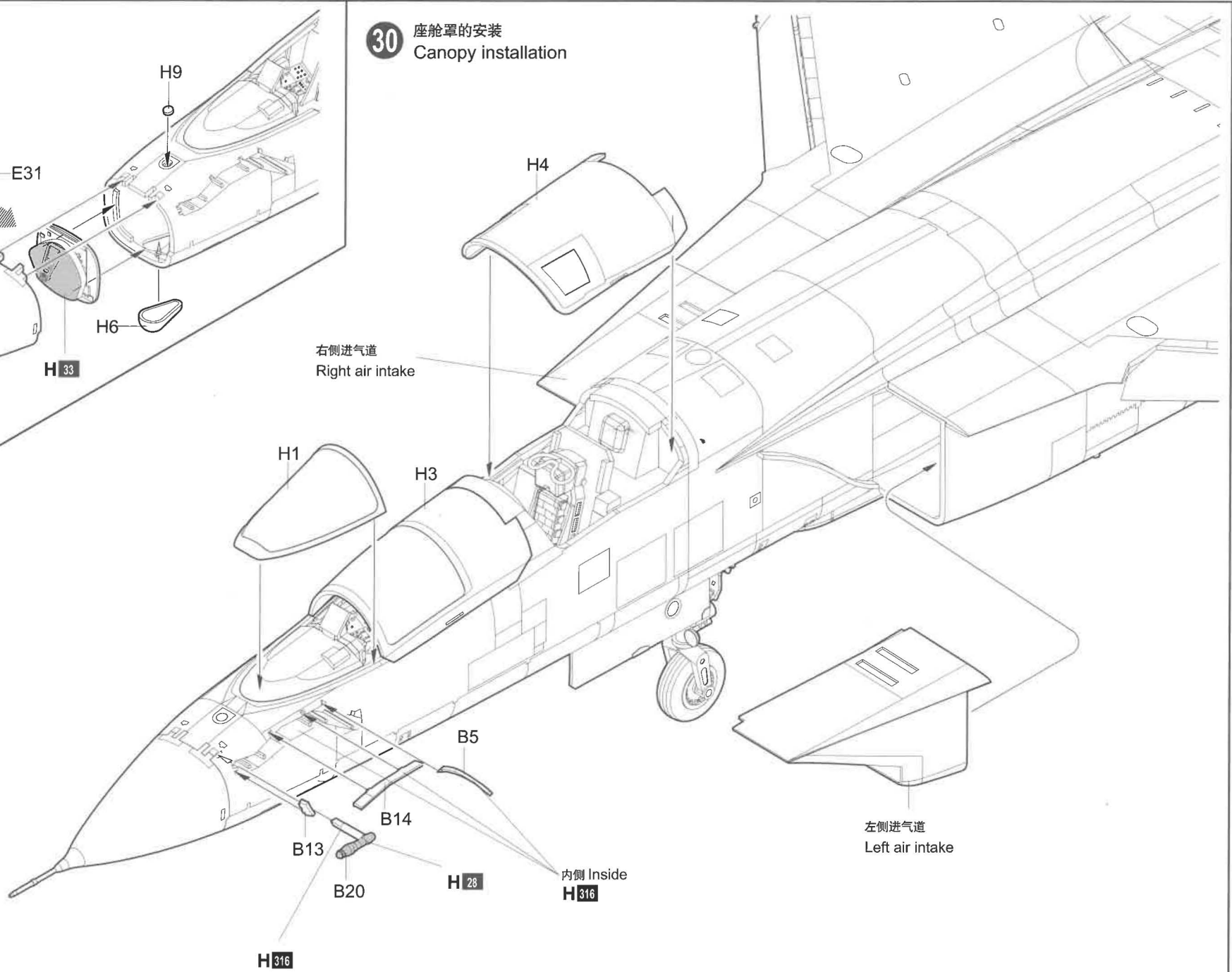
28 尾翼的安装
Tail wings installation



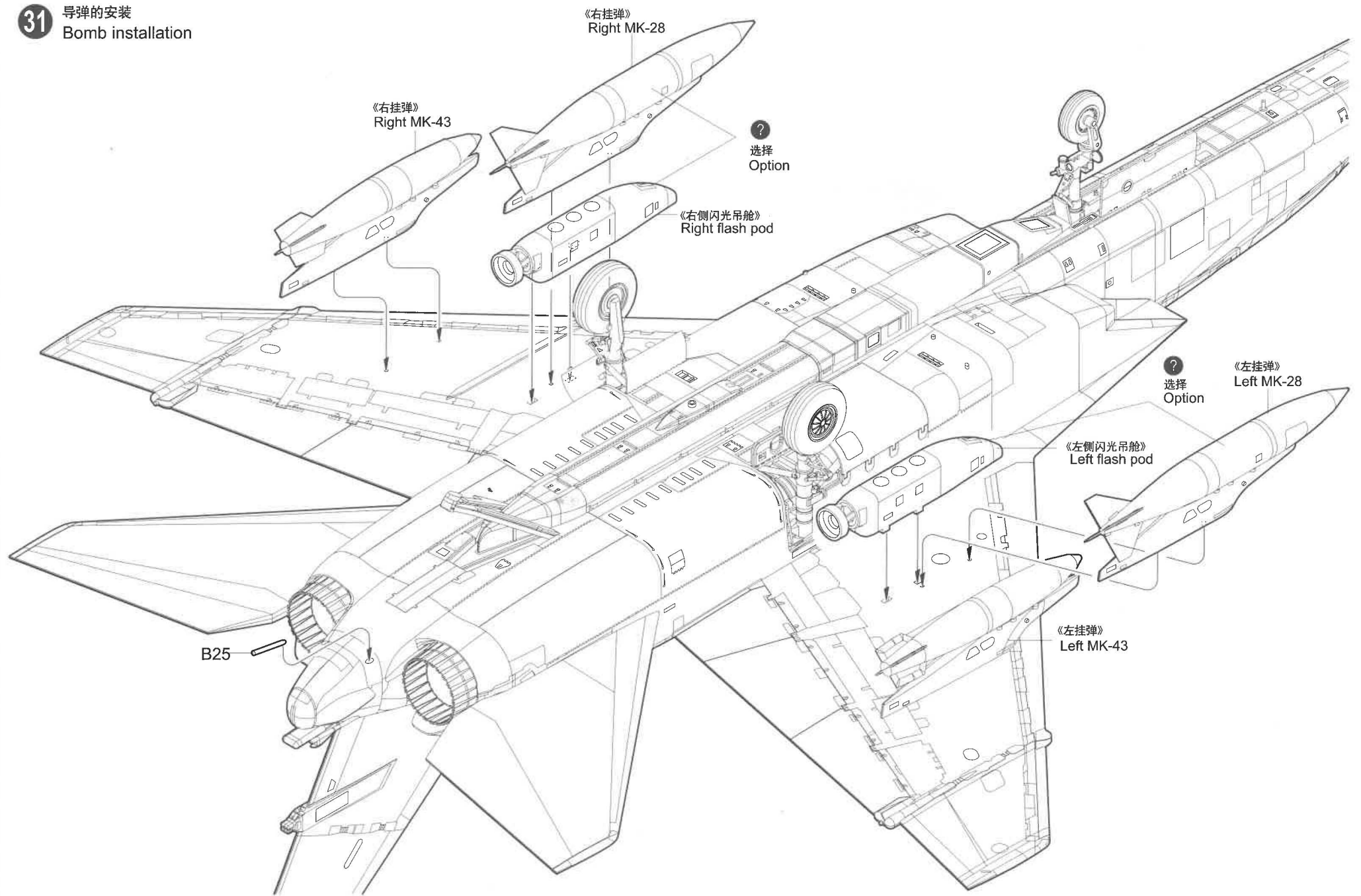
29 雷达的安装
Radar installation



30 座舱罩的安装
Canopy installation



31 导弹的安装
Bomb installation



1L

1R

4L

4R

5

24L

24R



404

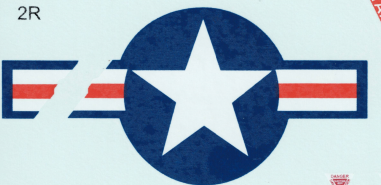
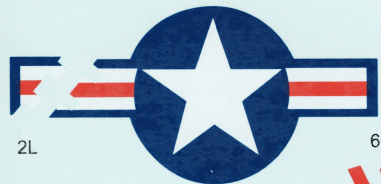
404

404

404

601

601



2L

2R

3

6L

6R

7

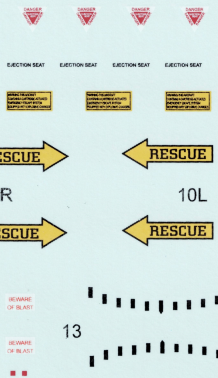
8

9

10R

11

12



NAVY
NAVY

RVAH-5
RVAH-5

16L

16R



17L



17R

21L



21R

14

15

18R

19 RA-5C RA-5C

20 151726 151726

18L

18R

15

19

20

23L

23R



28

156624 156624

22L



22R

25

601

601

151726

151726

26

USS AMERICA

USS AMERICA

27

29

156624

30

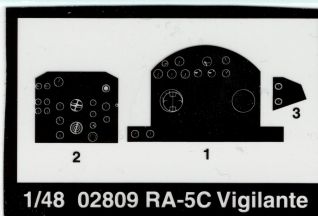
156624

USS NIMITZ

USS NIMITZ

31

02809 1/48 RA-5C Vigilante



1/48 02809 RA-5C Vigilante