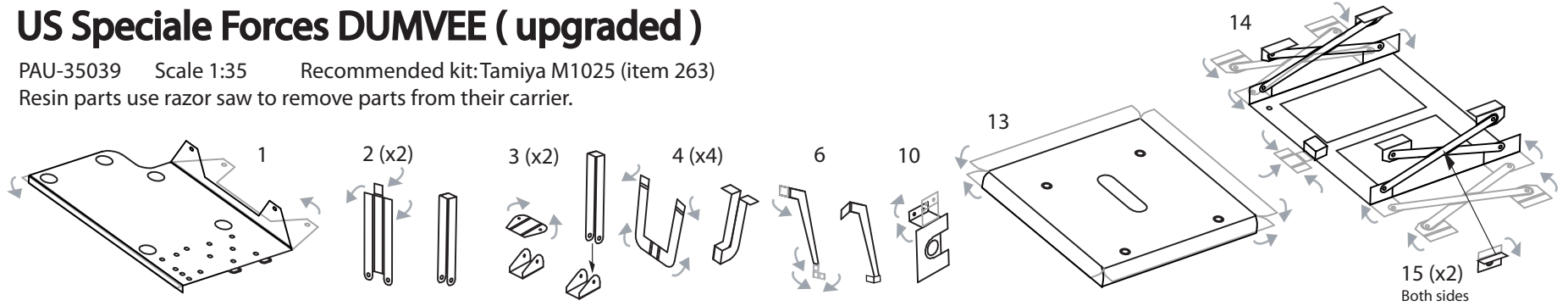




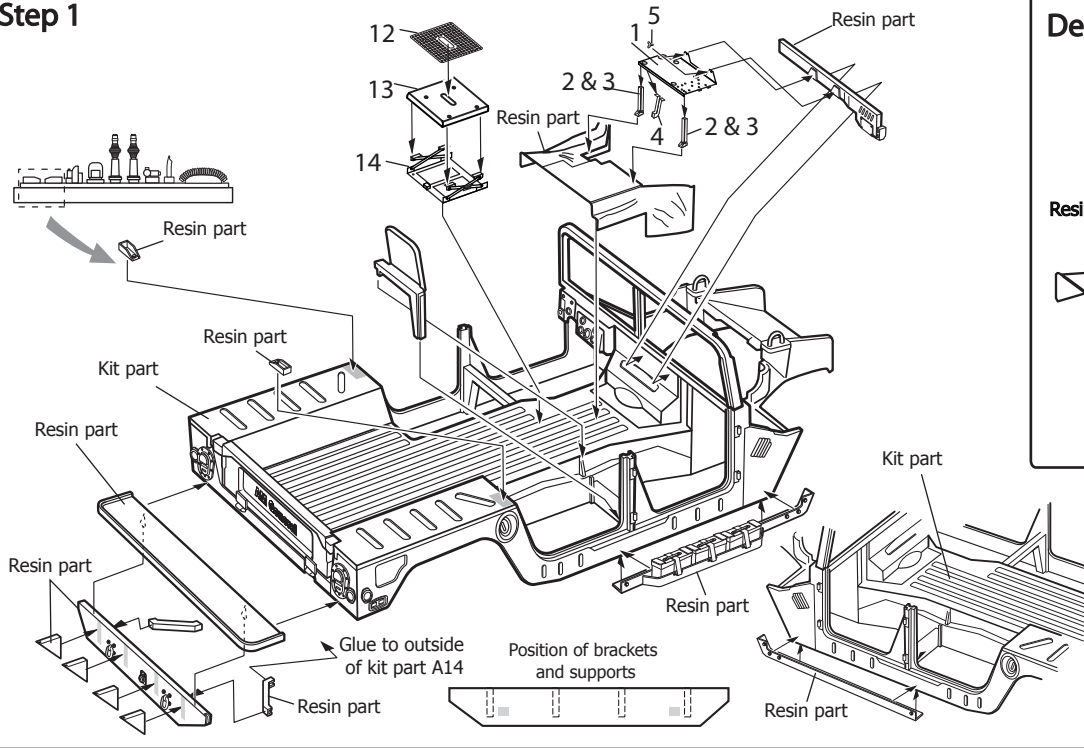
PRO ART MODELS  
designed and  
produced in Belgium

# US Speciale Forces DUMVEE ( upgraded )

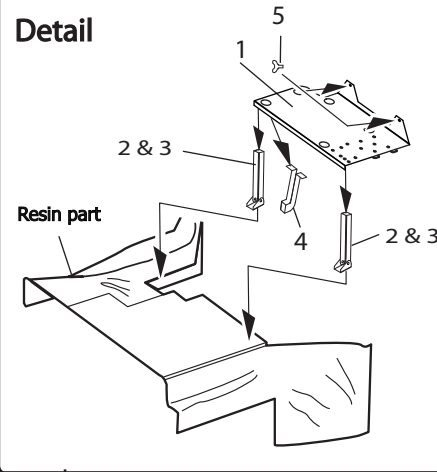
PAU-35039 Scale 1:35 Recommended kit:Tamiya M1025 (item 263)  
Resin parts use razor saw to remove parts from their carrier.



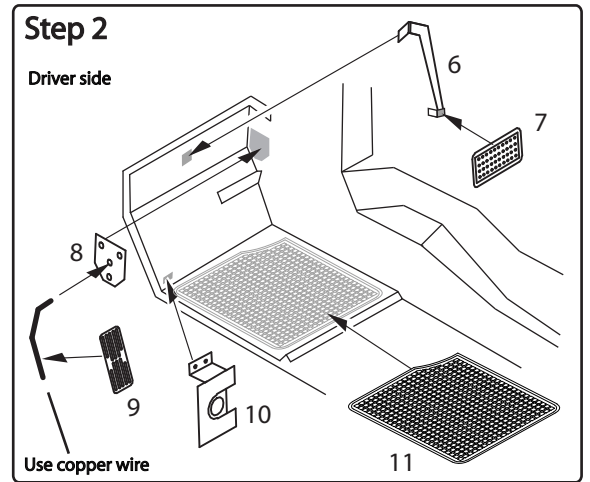
## Step 1



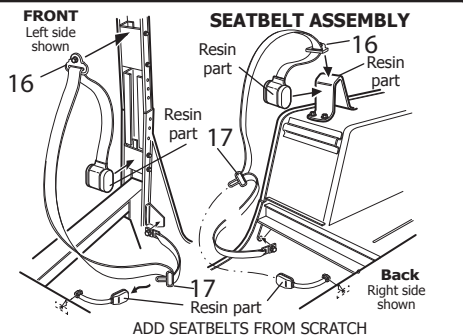
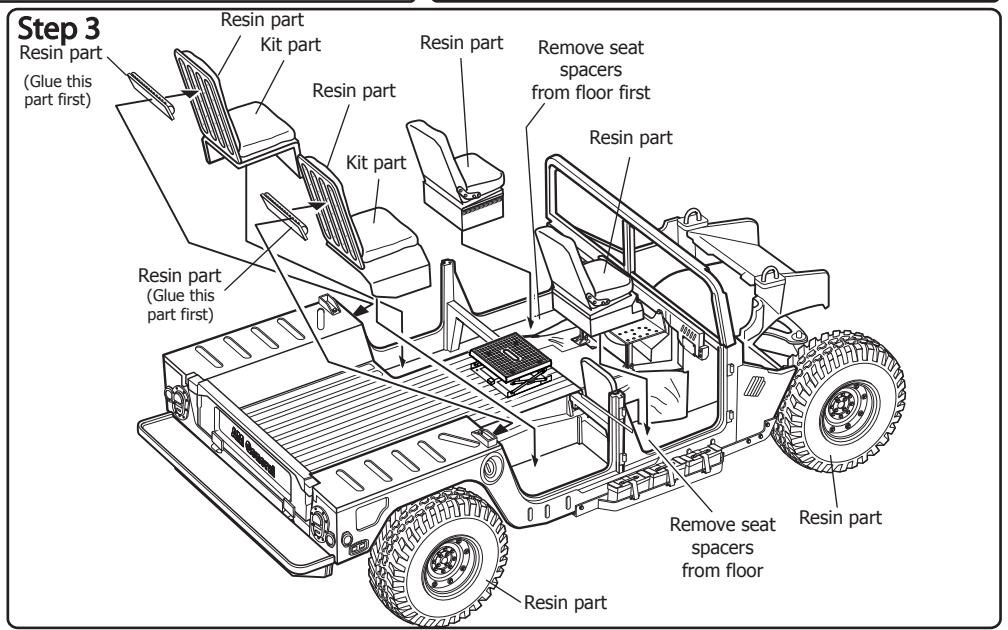
## Detail



## Step 2



## Step 3



**IMPORTANT NOTE**  
The resin wheels in this set  
have been produced under  
license from Blast Models,  
Paris.

You can even use the super  
swamper wheels from set  
PAU-35019

Copyright © Pro Art Models, 2010  
Not suitable for children under the age of 12