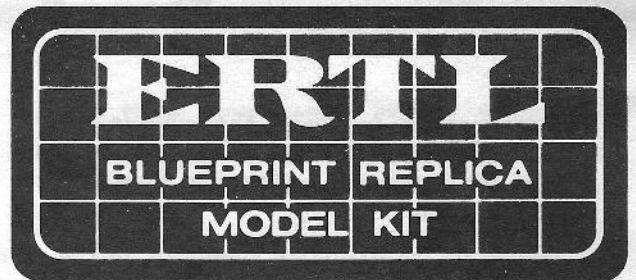


CONVOY "RUBBER DUCK" MACK TRUCK

KIT No. 8036

1/25 SCALE



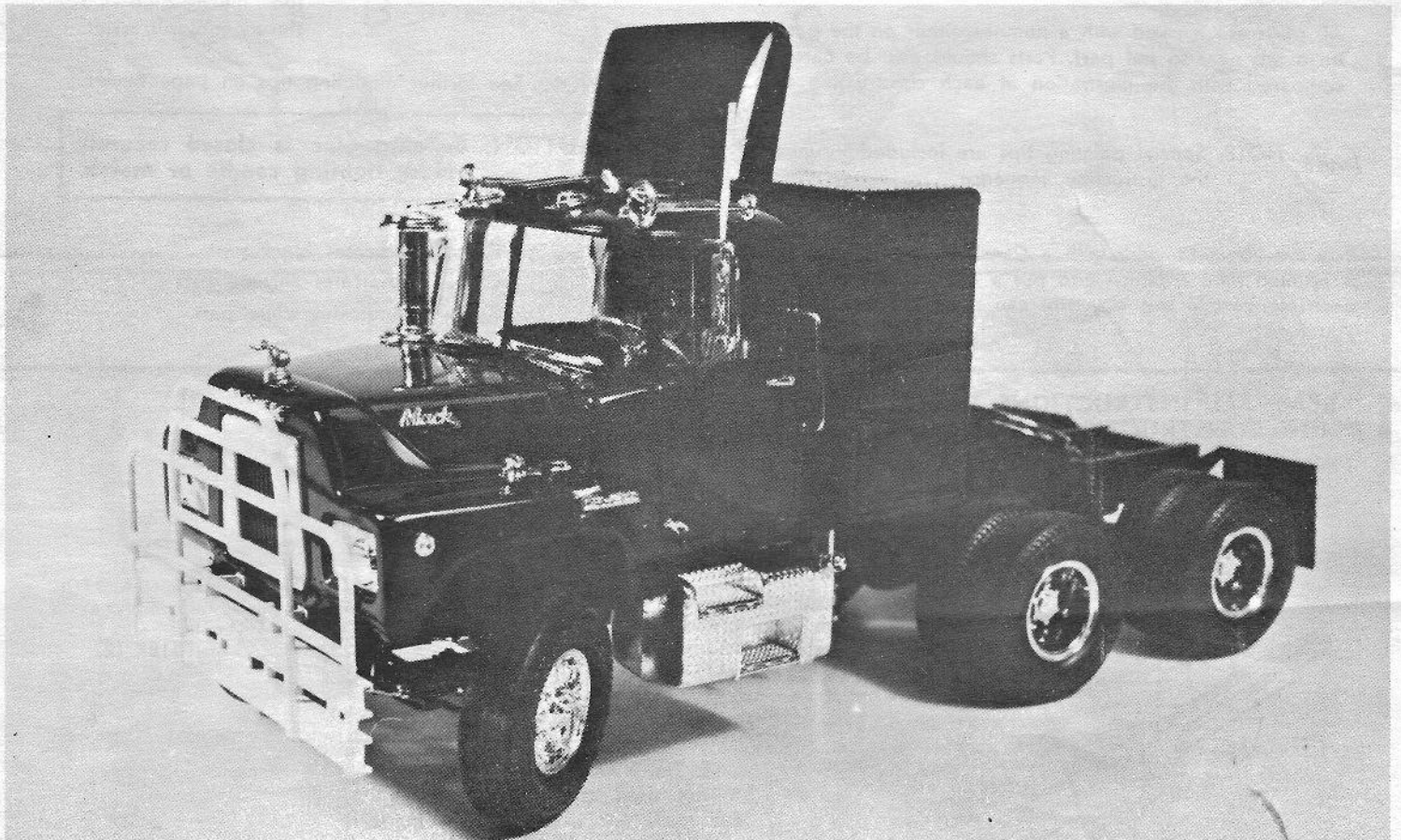
ERTL

Subsidiary of Kidde Inc.

KIDDE

This ERTL kit is of the "RUBBER DUCK" Mack Truck, a 1/25 scale version of the famous Mack conventional as used in the UNITED ARTIST film "CONVOY." Over 10" long when assembled, this rig will bust through with its gate crashing reinforced grille guard, C.B. "radio" with twin "ears" roof mounted air deflector, sleeper unit with opening doors and not soon to be forgotten "spitten & grinner" 'Rubber Duck' sitting out on the end of the hood. Lead your own "CONVOY" of model trucks with this 1/25 scale rebel of the road.

Manufactured under license of Mack Trucks, Inc., ©Copyright 1978 United Artists Corporation all rights reserved, by the ERTL Company, Dyersville, Iowa 52040, U.S.A. Subsidiary of Kidde Inc. Made and printed in U.S.A. No. 8036.



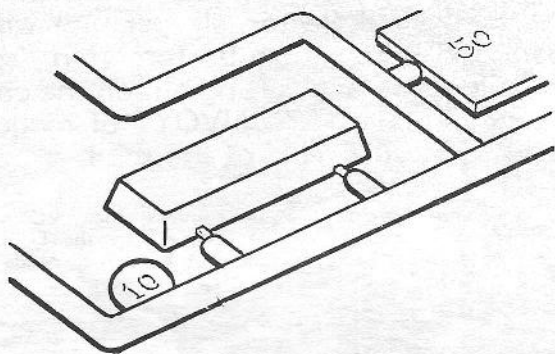
Please Read This Before Starting

You are about to build the unique Mack Truck RUBBER DUCK. This authentically detailed scale model will be an impressive addition or start to your model collection.

Follow the construction sequence on the plans . . . otherwise the model may not go together properly. Some parts may have to be trimmed—use your tools properly and carefully. Use only cements and paints designed for styrene plastic. We recommend the use of liquid cement. Your model can be assembled without painting or you may wish to paint—see box cover—for paint pattern.

Work slowly and carefully allowing glue and paint to dry—rushing can ruin a fine model.

VERY IMPORTANT: Scrape paint and chrome plating away from surfaces to be joined by gluing.



All parts are marked with a number either on the part or on a tab next to the part. Parts should also be carefully compared with the illustration at each construction step.

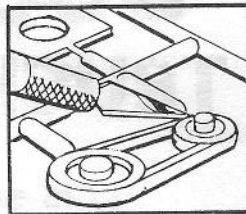


NOTE: Special painting tips are included thru-out the instruction sequence.

You are about to work with a Checklist instruction sheet. As each part is applied take a pencil and put a check mark in the box in front of each number. In this way you can see what you have done and what you haven't.

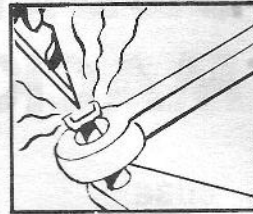
Special Modeling Tips

MODEL KNIFE



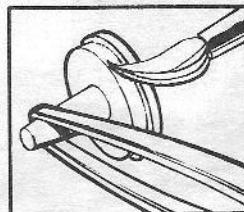
Use a good sharp model knife to trim and detach plastic parts. Some parts will appear to have extra "tabs" on them—cut these off.

HEAT SWAGE



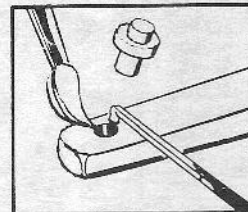
When heat swage is indicated, this means to heat the tip of the knife in a candle or match flame. When touched to the plastic, the plastic will soften and form a "mush-room" head.

TWEEZERS



Tweezers are handy for holding very tiny parts when you glue them in place or when you are painting them.

CEMENT



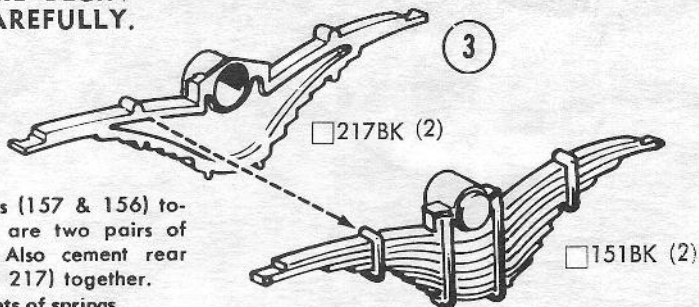
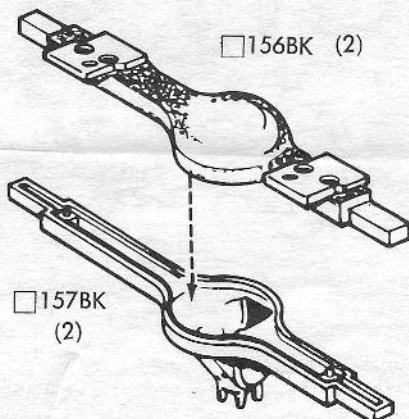
We recommend the use of liquid poly styrene cement. Apply with a fine brush and toothpick. Do not use too much glue—a sloppy job will result.

NOTE: See further modeling tips on page twelve.

CAUTION: Be sure glue is closed securely before lighting candle or match.

- 54BK . . . indicates black part
- 145CR . . . indicates chrome part
- 200W . . . indicates white part

1 READ ALL INSTRUCTIONS CAREFULLY BEFORE BEGINNING CONSTRUCTION. WORK SLOWLY AND CAREFULLY.

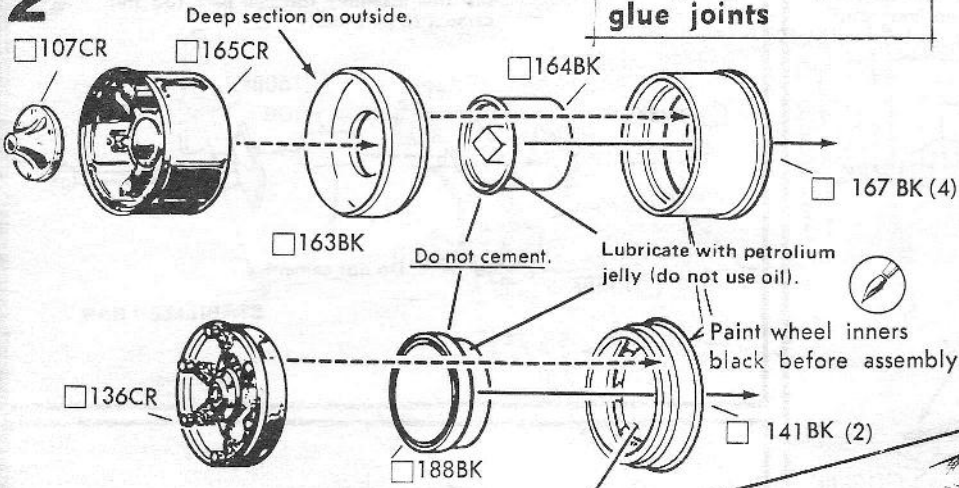


NOTE: Cement parts (157 & 156) together. Note there are two pairs of these differentials. Also cement rear leaf springs (151 & 217) together. There are also two sets of springs.

NOTE: There are several parts which are not used in this kit. You may save them for use in future model building projects if you wish.

2

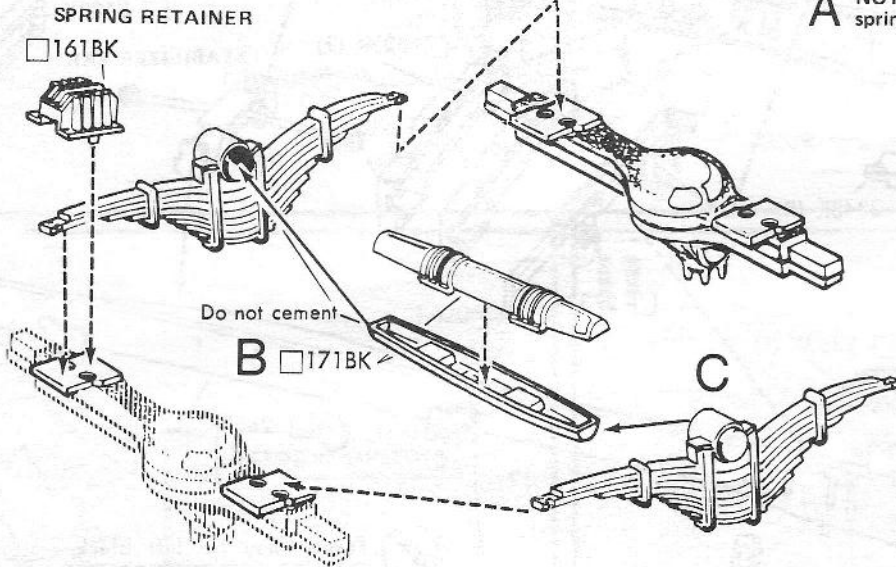
Scrape plating from glue joints



NOTE: Remove center portion from inner wheel halves (141) and from all tires also. Now continue with assembly procedure. Slip tires onto wheels.

NOTE: Remove center portion.

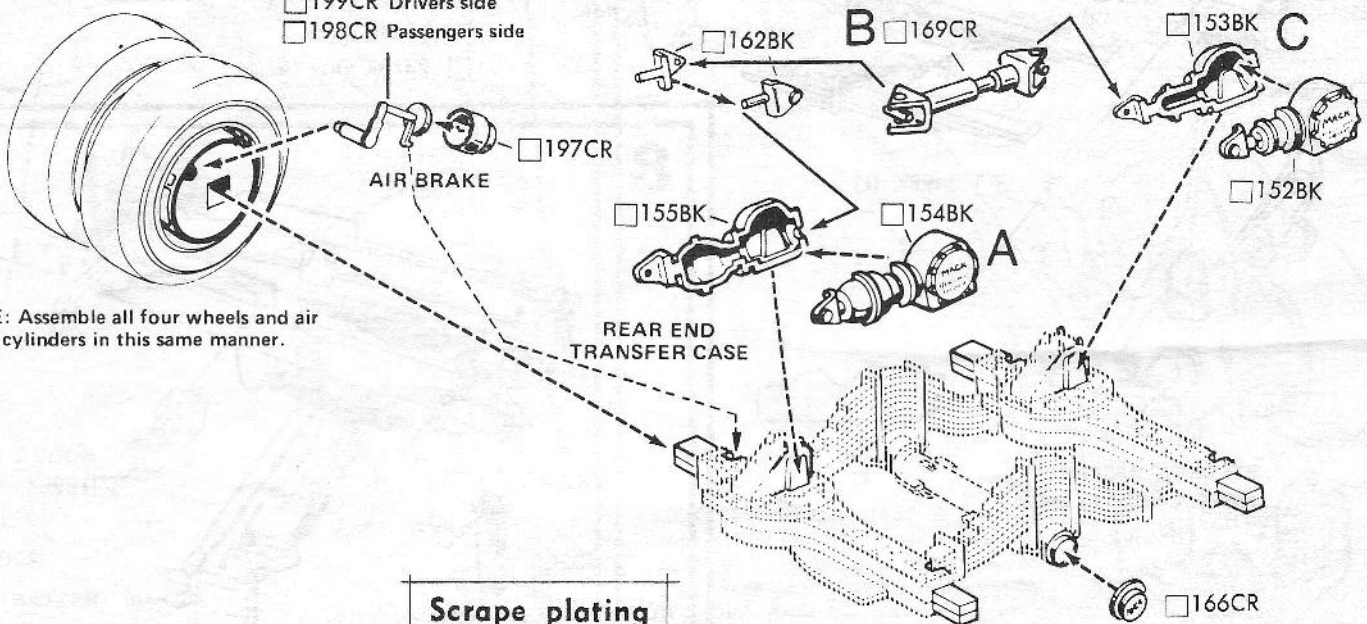
3



A NOTE: Cement parts 161 to all four leaf spring ends as shown on this one assembly.

4

199CR Drivers side
198CR Passengers side

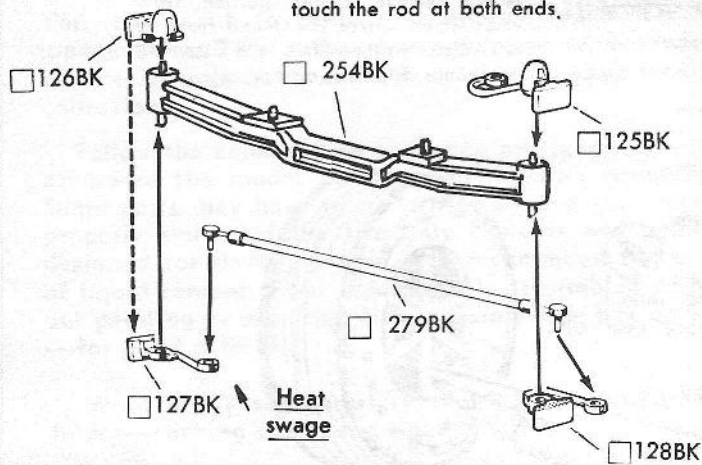


NOTE: Assemble all four wheels and air brake cylinders in this same manner.

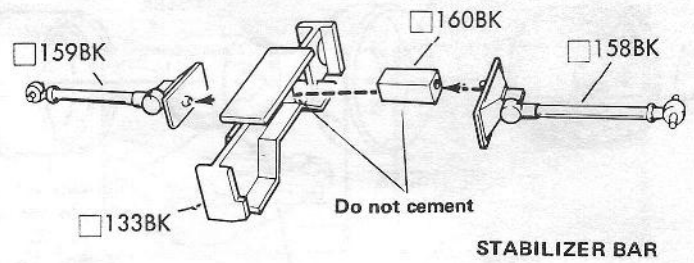
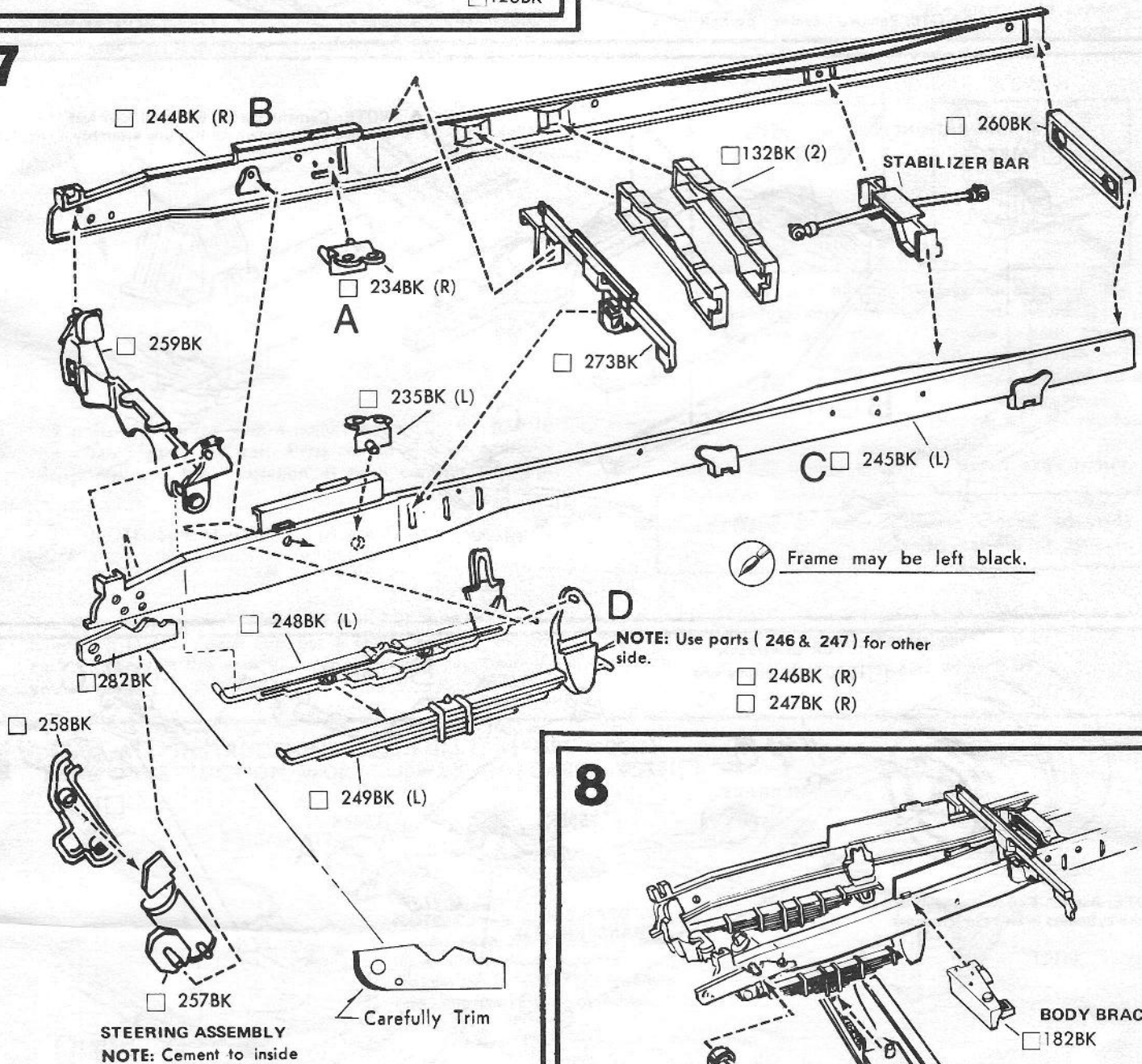
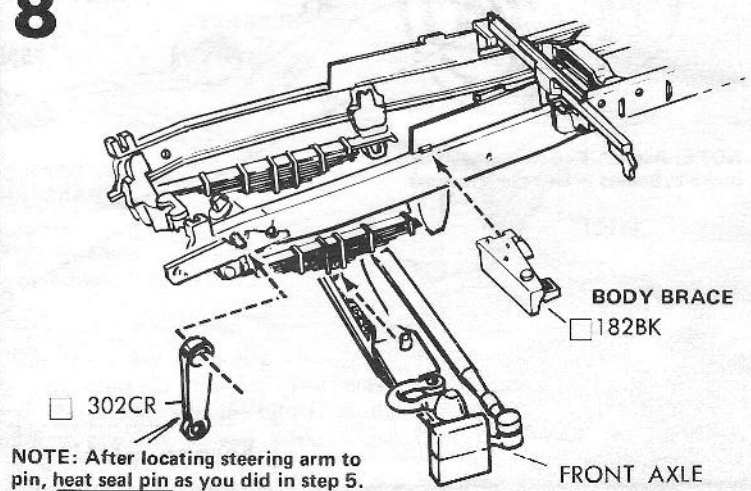
Scrape plating

5

② **NOTE:** Cement shaded areas together only. After inserting tie rod (279), take a heated knife or screwdriver and touch the rod at both ends.

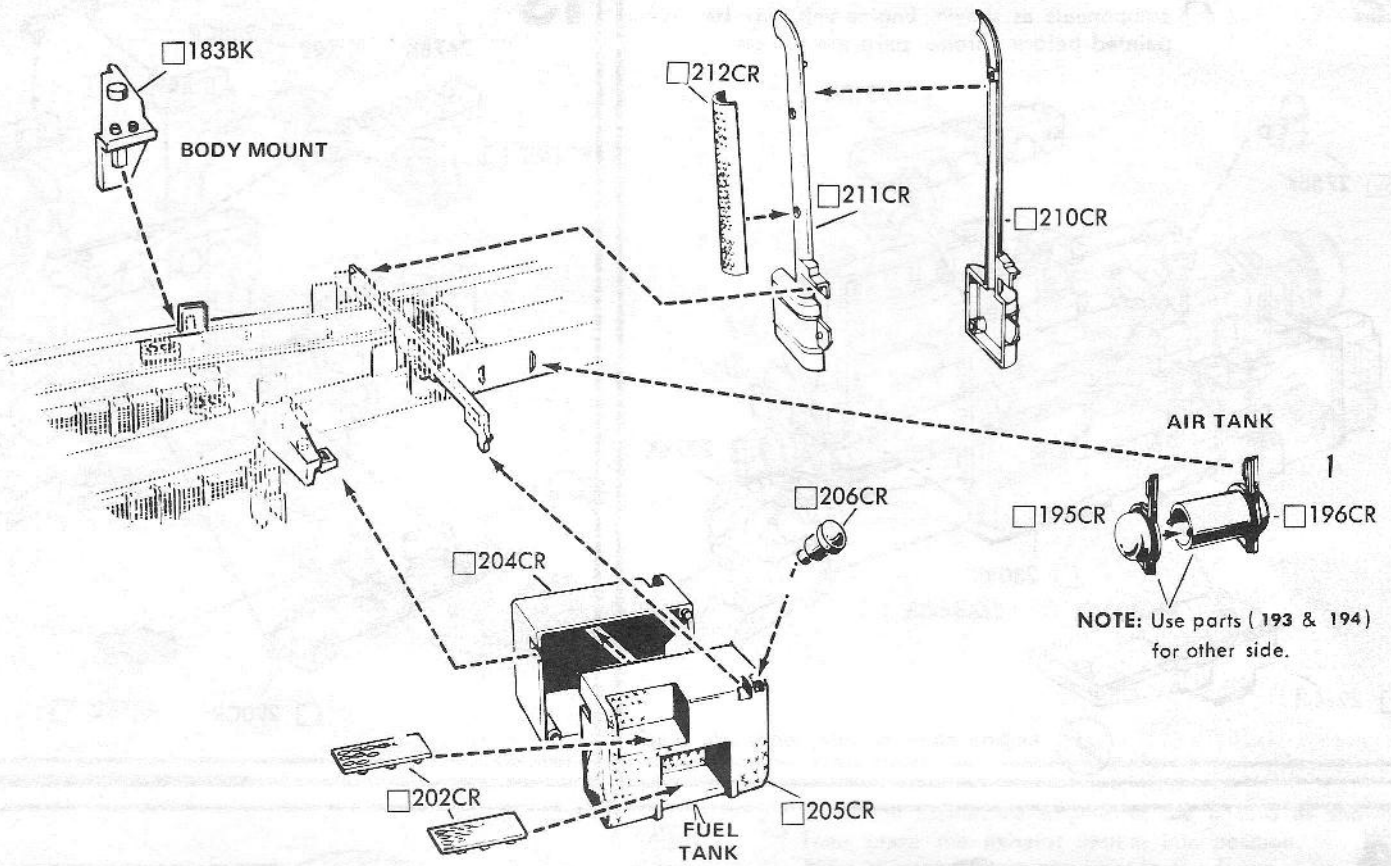
**6**

NOTE: Cement part 158 to 160, then slip this assembly through part 133 and cement to part 159.

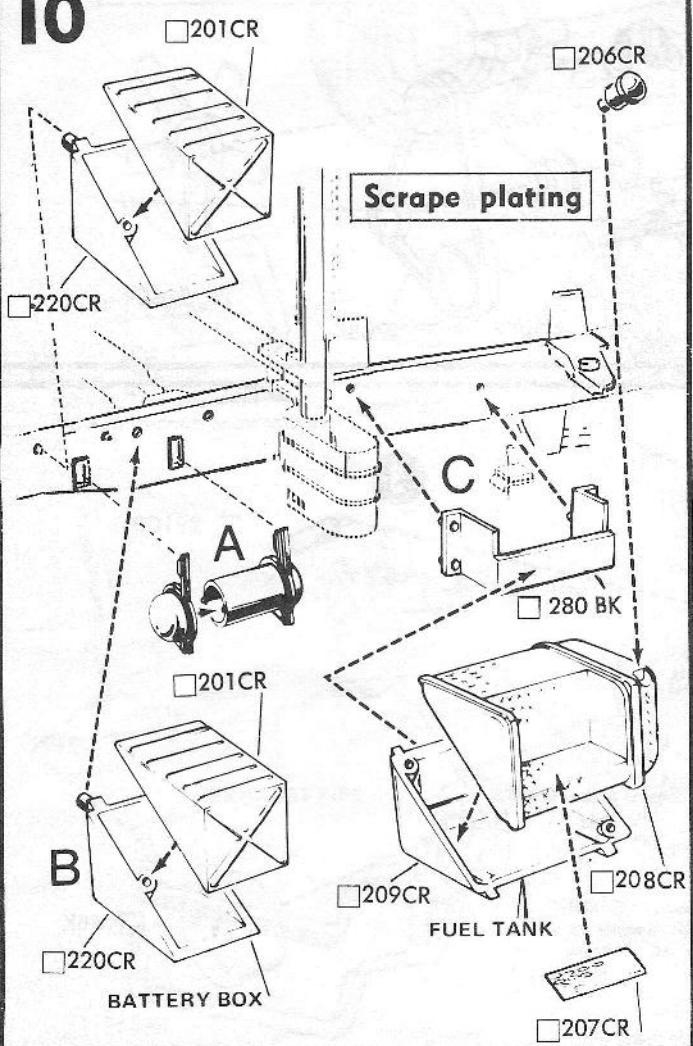
**7****8**

NOTE: After locating steering arm to pin, heat seal pin as you did in step 5.

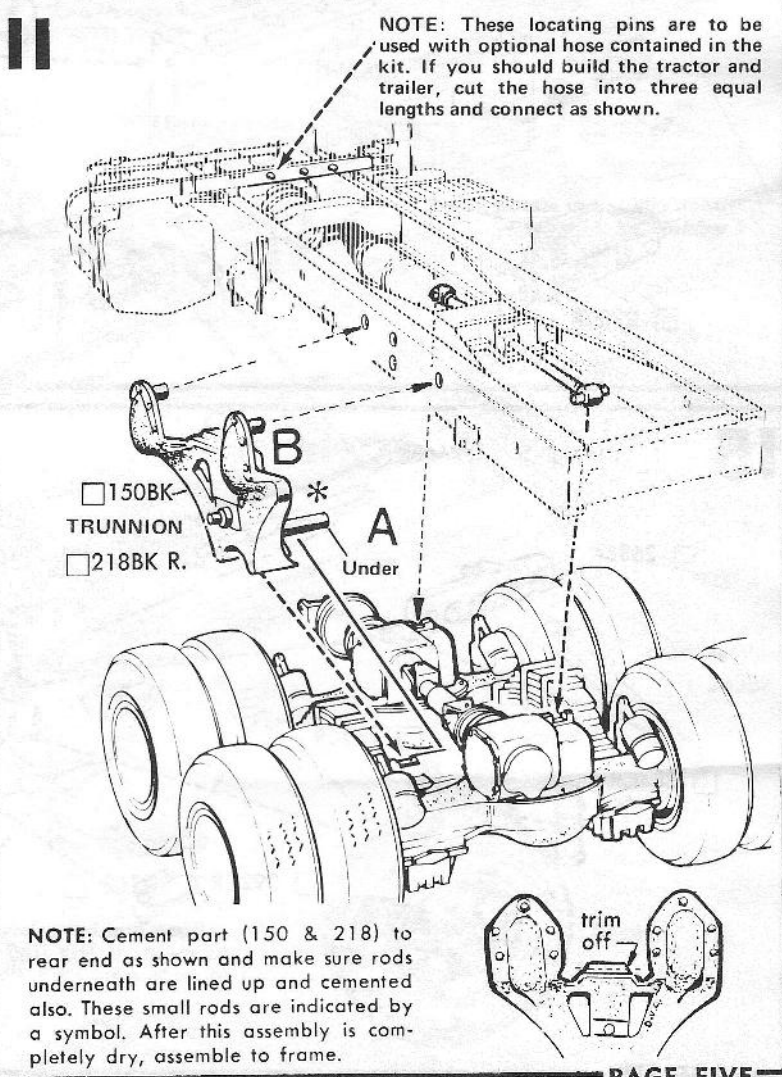
9



10

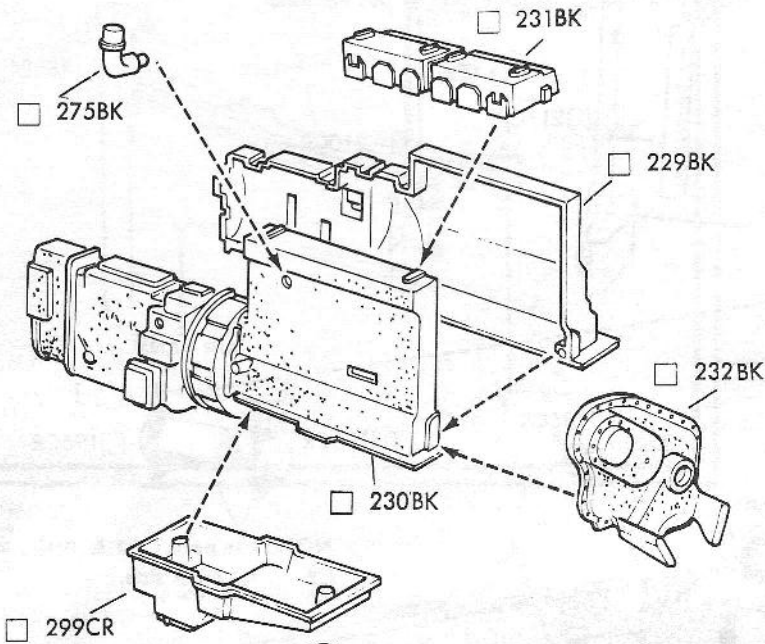


11



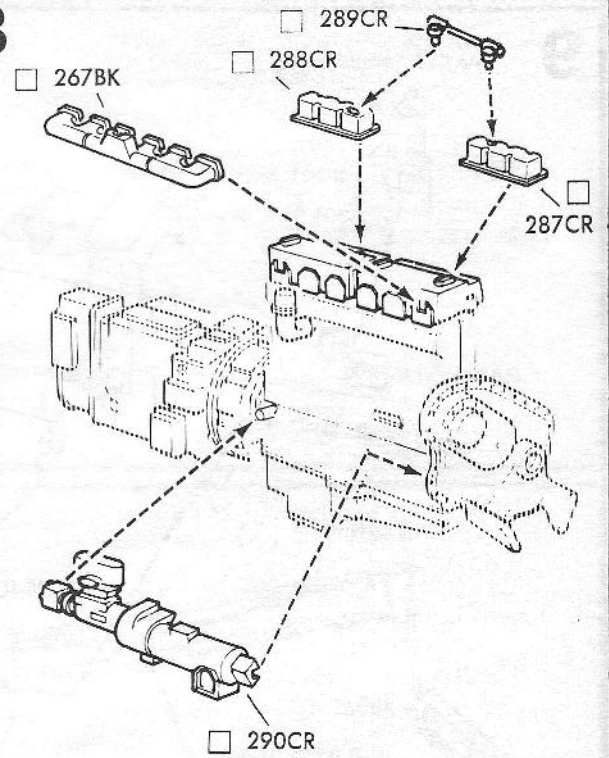
12

A Assemble engine block halves, assemble other components as shown. Engine unit may be painted before chrome parts are put on.

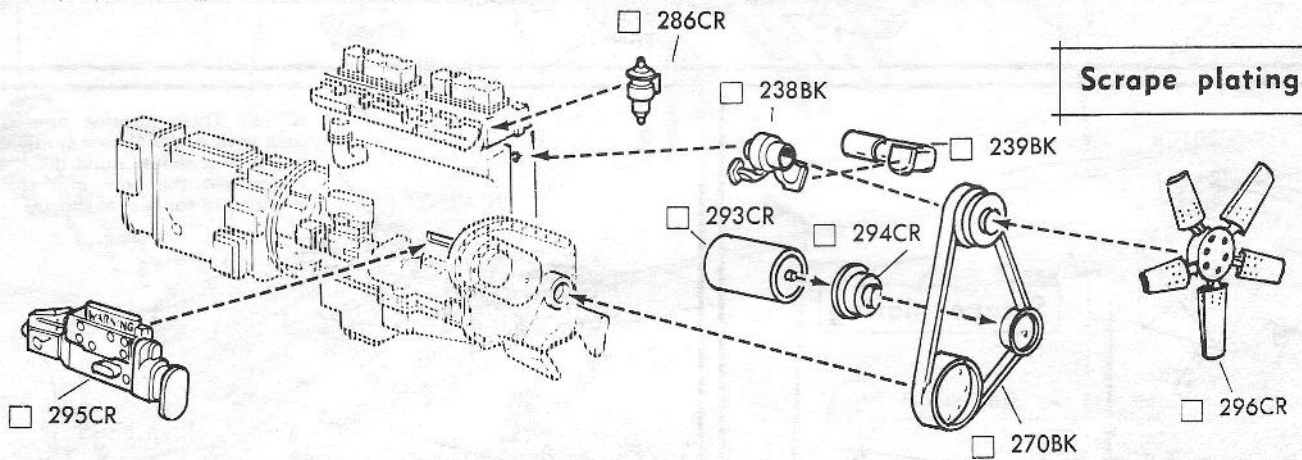


Engine color is gold, belts are black.

13

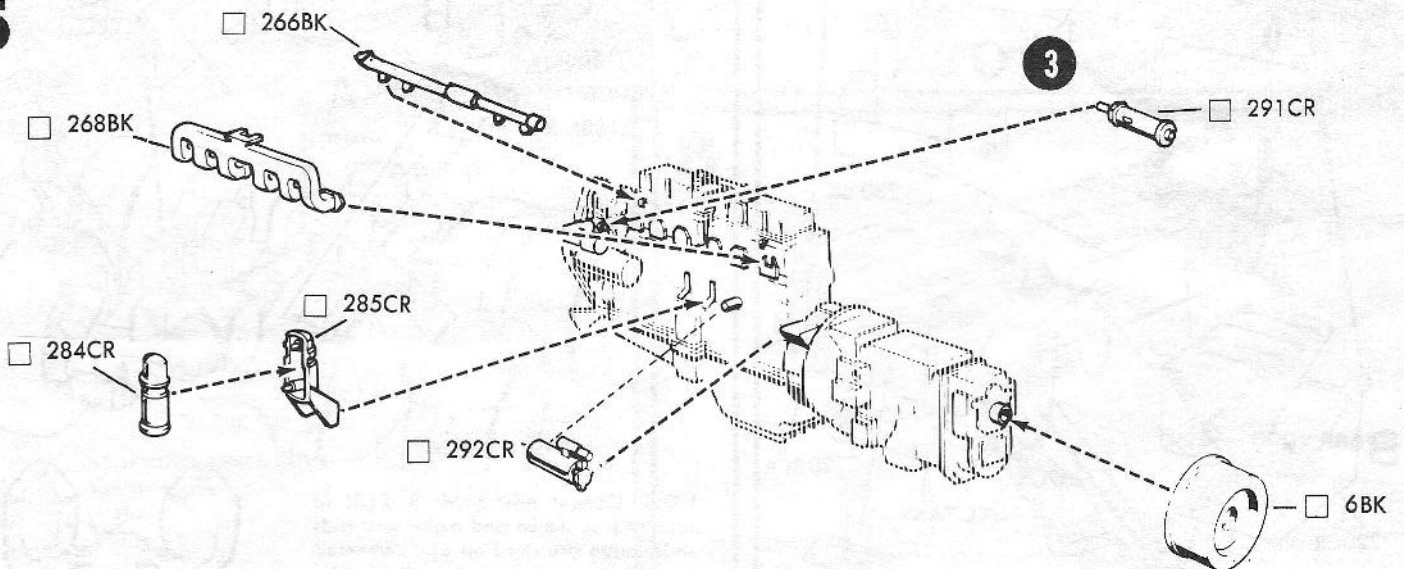


14

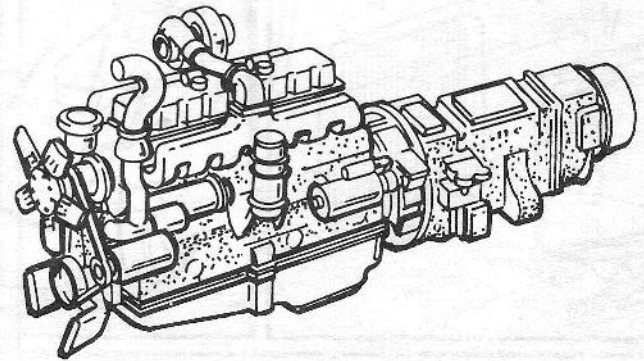
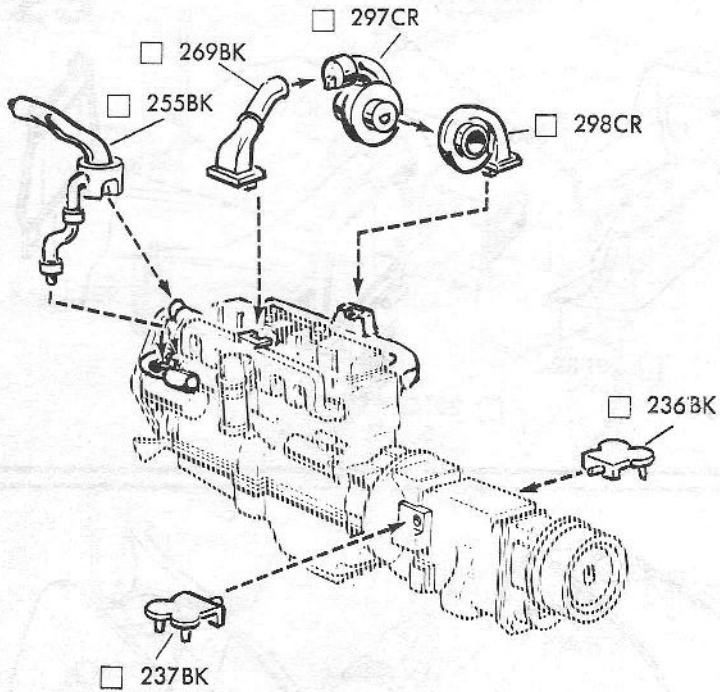


Scrape plating

15



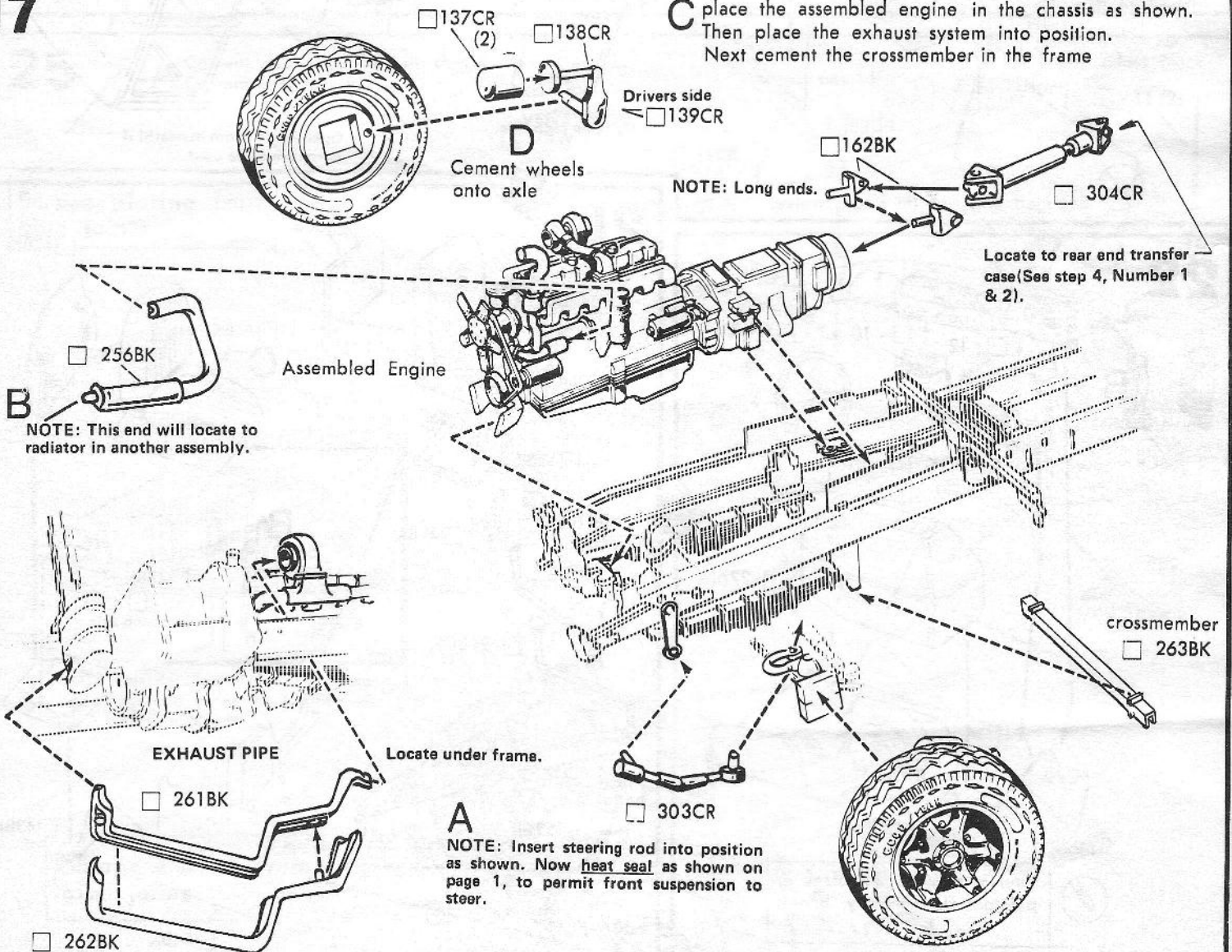
16



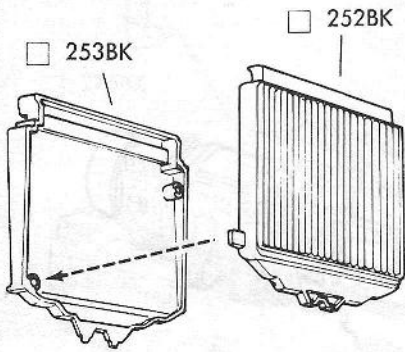
ASSEMBLED ENGINE

17

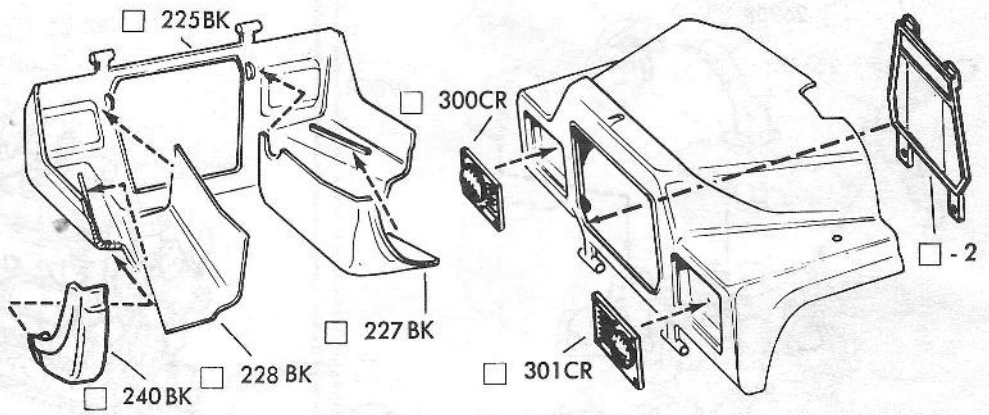
C place the assembled engine in the chassis as shown. Then place the exhaust system into position. Next cement the crossmember in the frame



18



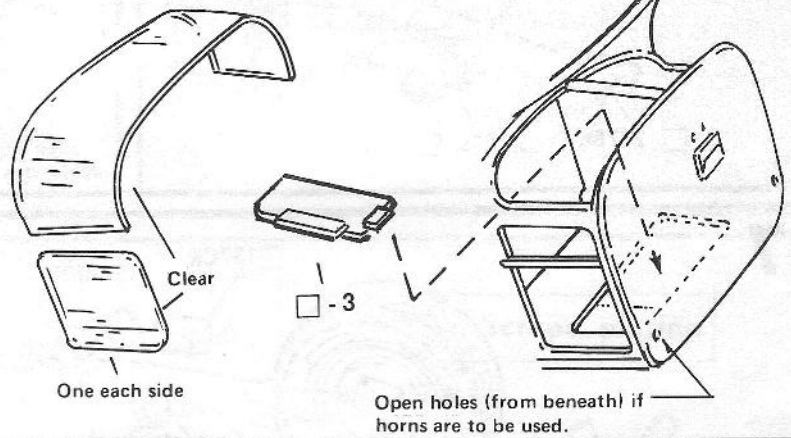
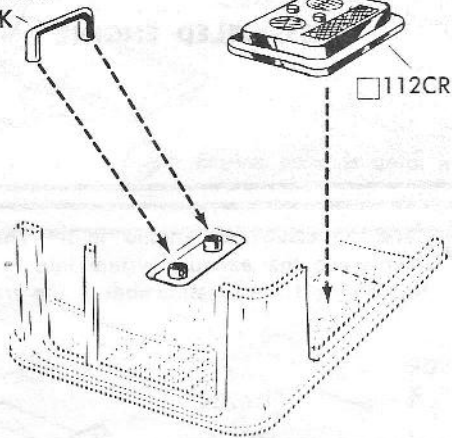
19



20

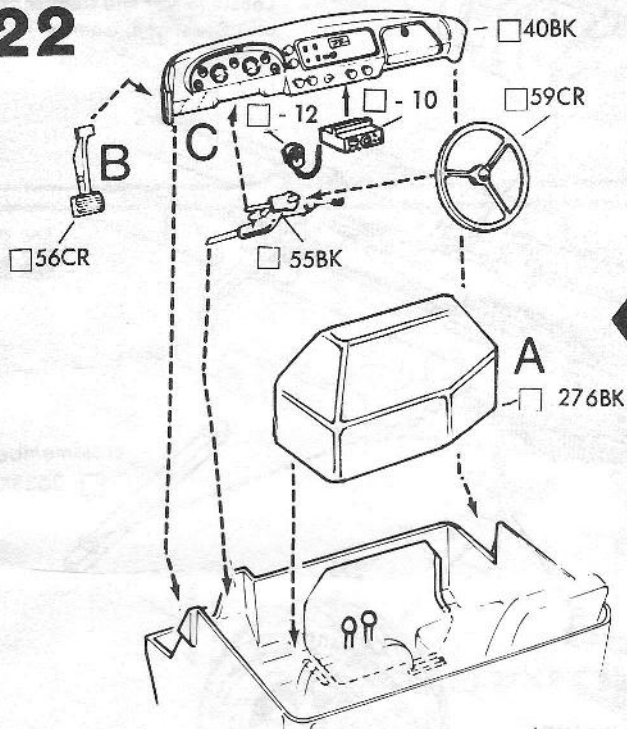
VENT HANDLE

□ 62BK



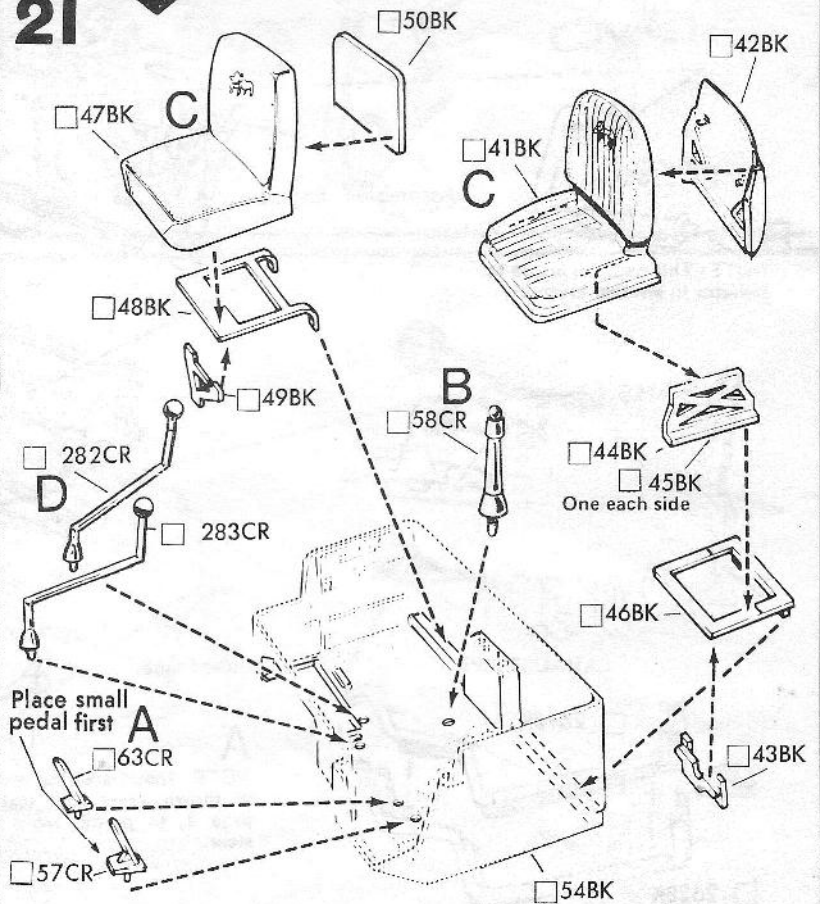
See modeling tips on page twelve.

22

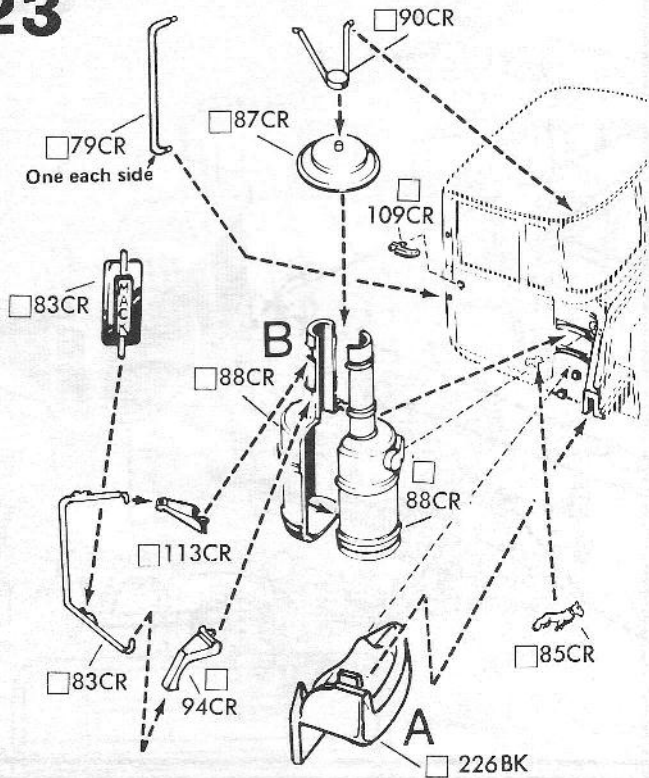


Interior may be left black or painted flat military brown

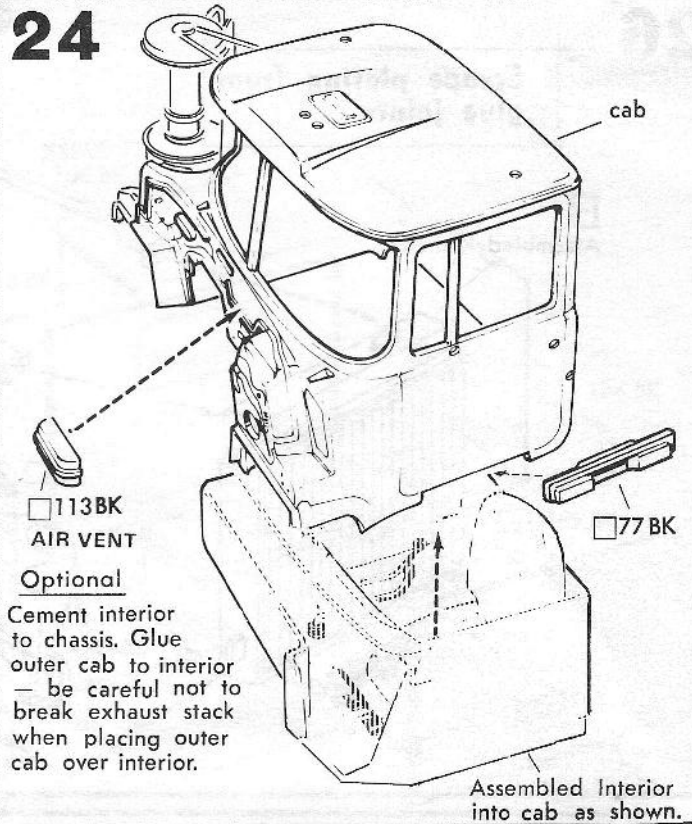
21



23



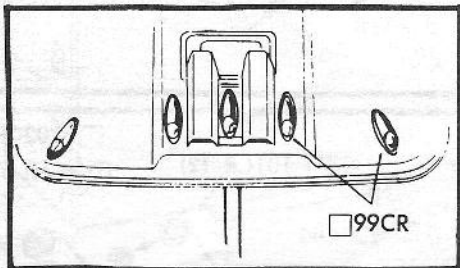
24



25

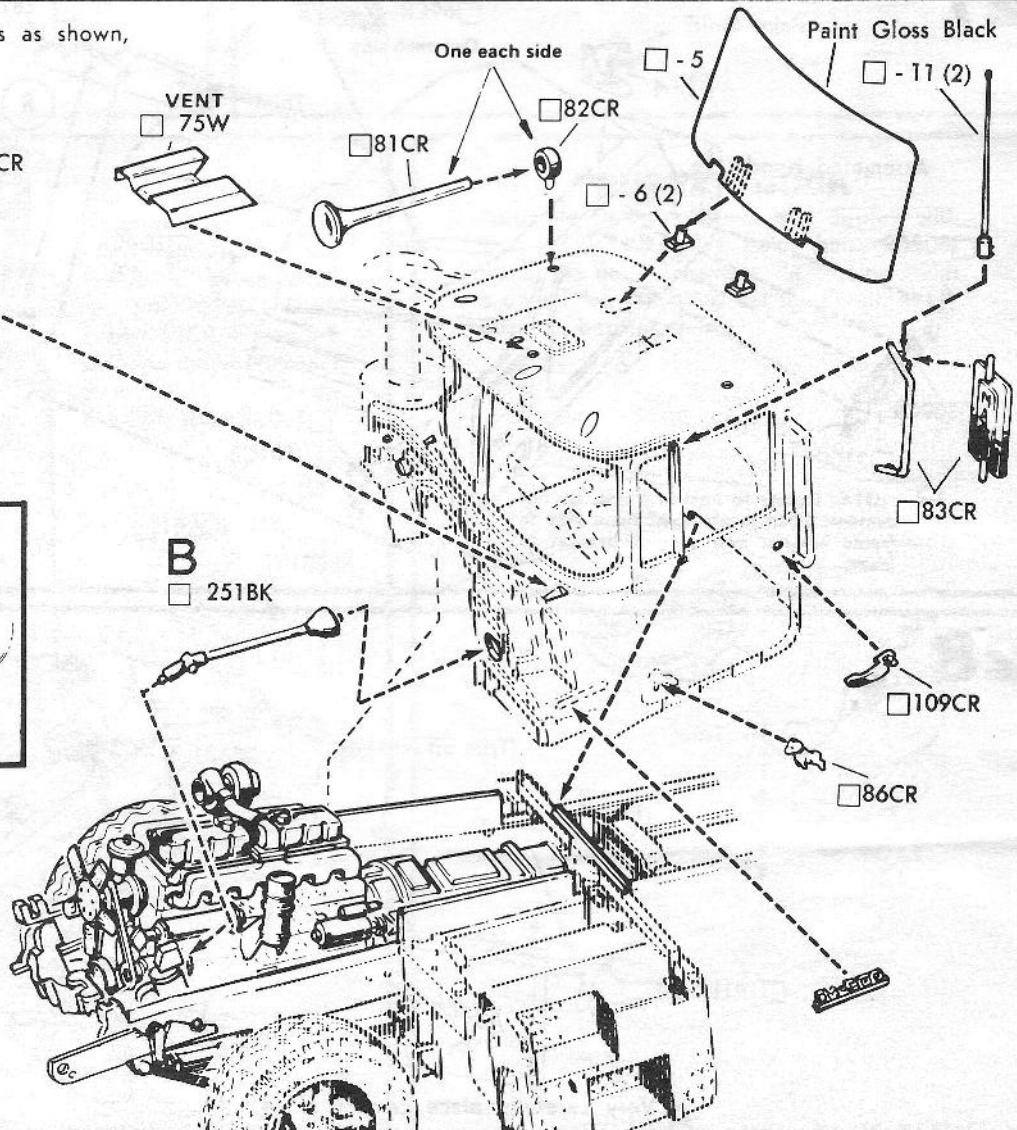
A Cement cab to chassis as shown,
Cement trim to cab

Scrape plating from
glue joints



NOTE: This detailed illustration of the top of the cab shows the location of the 5 running lights. 99

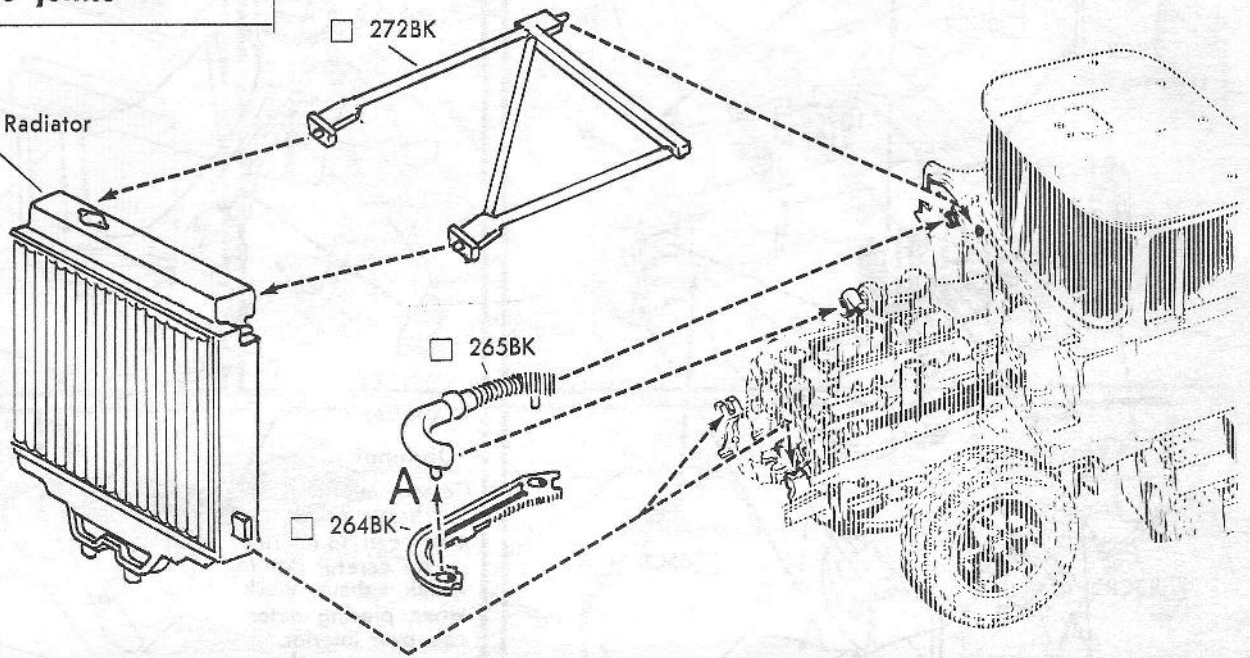
Scrape Paint from
glue joints



26

Scrape plating from glue joints

B
Assembled Radiator



27

Paint Gold

□ - 4

□ 89CR *Mack*
One each side

□ 281BK

TRIM

8

Assembled Hood

□ 308CR

□ 309CR

□ 311CR

□ 310CR

□ 100CR
(2)

□ 103CR (2)

□ 105CR
(2)

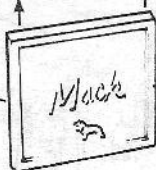
B NOTE: Locate to hole in frame. Do not cement. Then locate right hand side to frame bracket and cement bracket to frame.

28

(Trim off pins)

□ 190BK
(2)

□ 191BK (2)



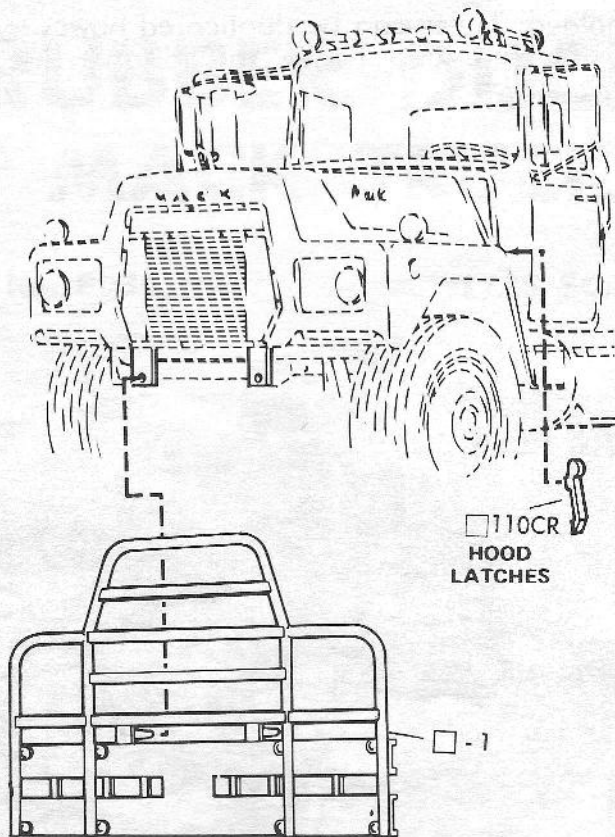
A Very carefully place cement along edge

□ 101CR (2)

□ 102CR
(Trim off pin)

RED (2)

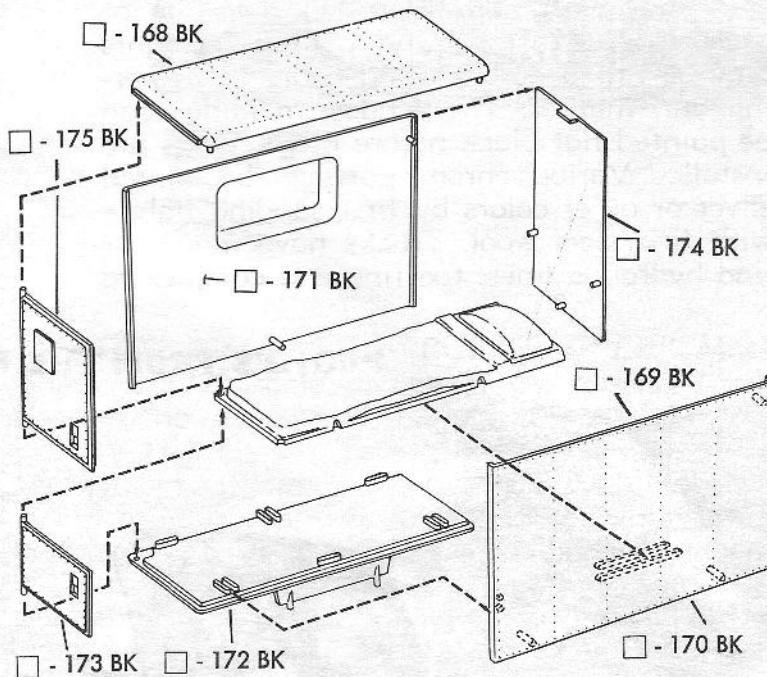
29



110CR
HOOD
LATCHES

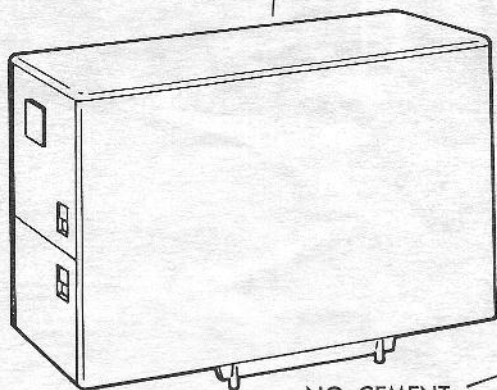
-1

30



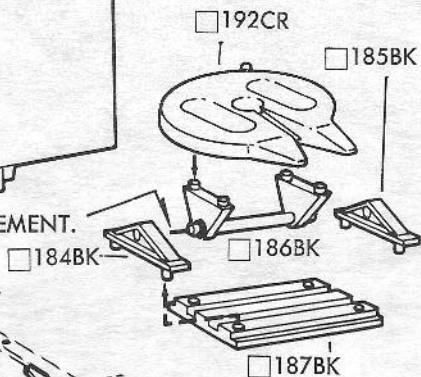
31

ASSEMBLED SLEEPER



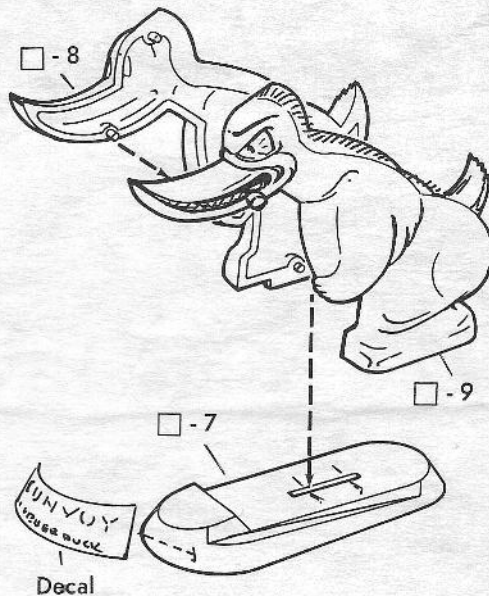
NOTE: Fifth wheel may be used if you wish to use a trailer such as the Ertl Long Dump 8020 or the Great Dane Trailer 8009. If you are building the Short Dump from the 8020 kit, omit the fifth wheel.

NO CEMENT.



"RUBBER DUCK"

Assemble Duck as shown and display with your truck. You may paint him gold to match the hood ornament. "Antiquing" with a dark color will bring out the detail, apply decal to base as shown.



MODELING TIPS

Although your Mack Truck is beautifully detailed right out of the box, ambitious modelers may wish to add further detailing of their own. For instance the roof marker lights may be tinted amber using a dry type (permanent) marker. The window moldings can be painted flat black before the windows are installed. Various chrome parts can be painted silver or other colors by first sanding lightly with fine steel wool. Trucks have many air and hydraulic lines, too fine and complex to

be molded. These can be duplicated however by using fine and heavy thread and fine electric wire.

PHOTO'S FROM THE MOVIE "CONVOY"

