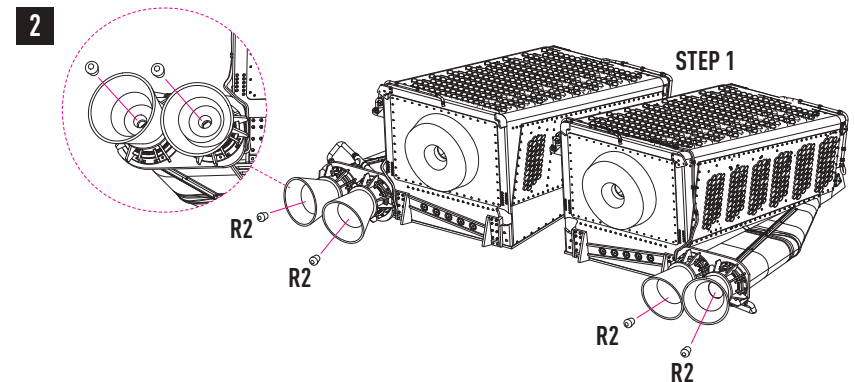
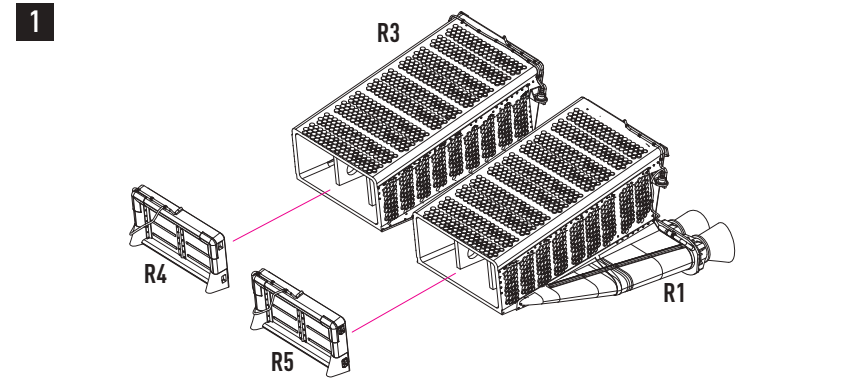
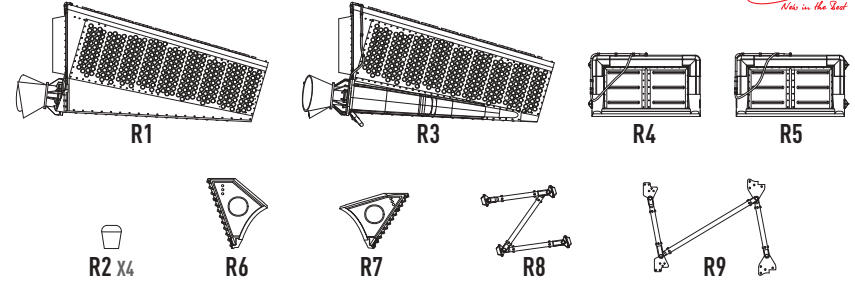
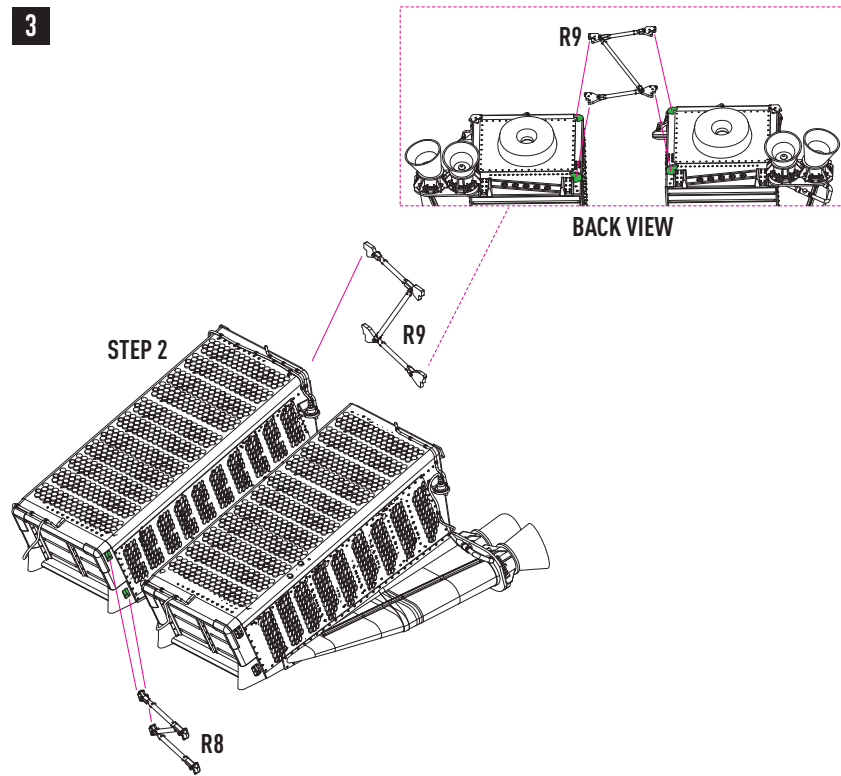


DETAILS AFTER REMOVAL FROM SUPPORTS

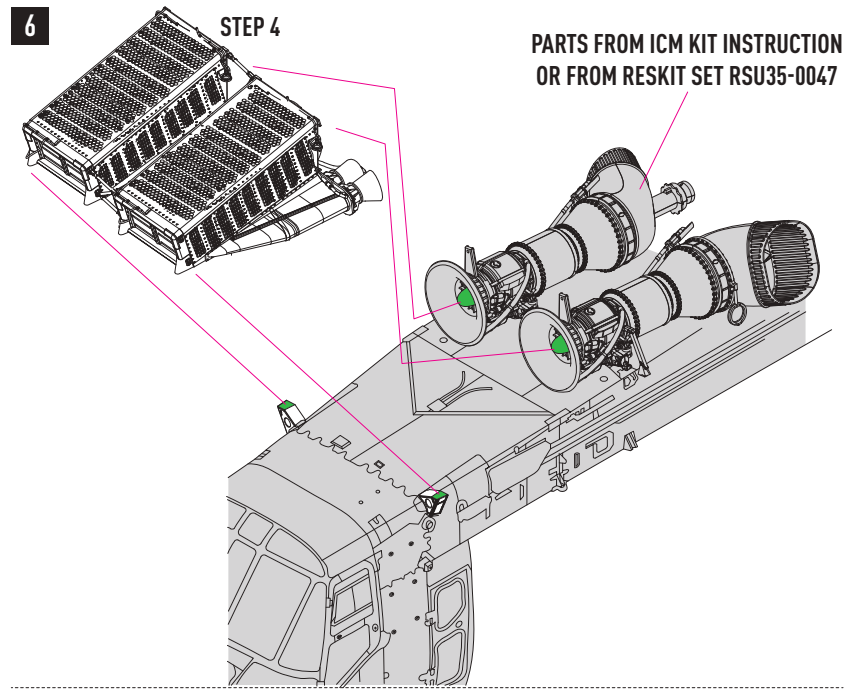
IN COOPERATION
WITH THE COMPANY



3



6



4

