

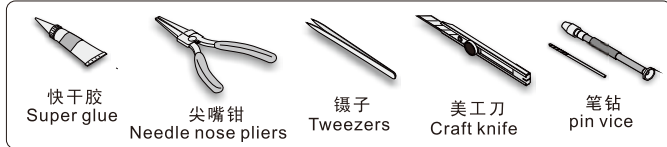
1/35 MILITARY MINIATURE VEHICLE UPGRADE SERIES PEA318

Modern IDF D9R Armored Bulldozer slat armour

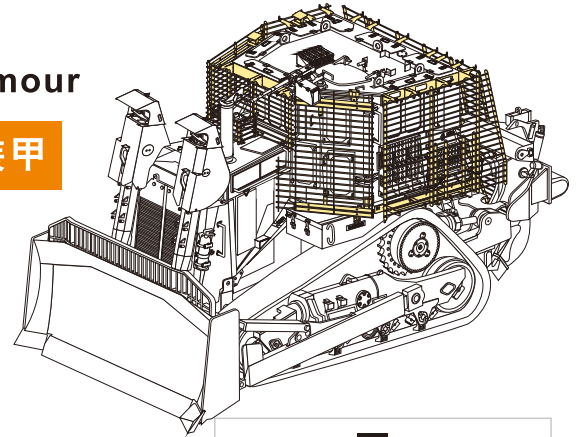
现代以色列国防军D9R 泰迪熊推土机栅栏装甲










[For MENG SS-002]

推荐使用工具 RECOMMENDED TOOLS




快干胶 Super glue
尖嘴钳 Needle nose pliers
镊子 Tweezers
美工刀 Craft knife
笔钻 pin vice

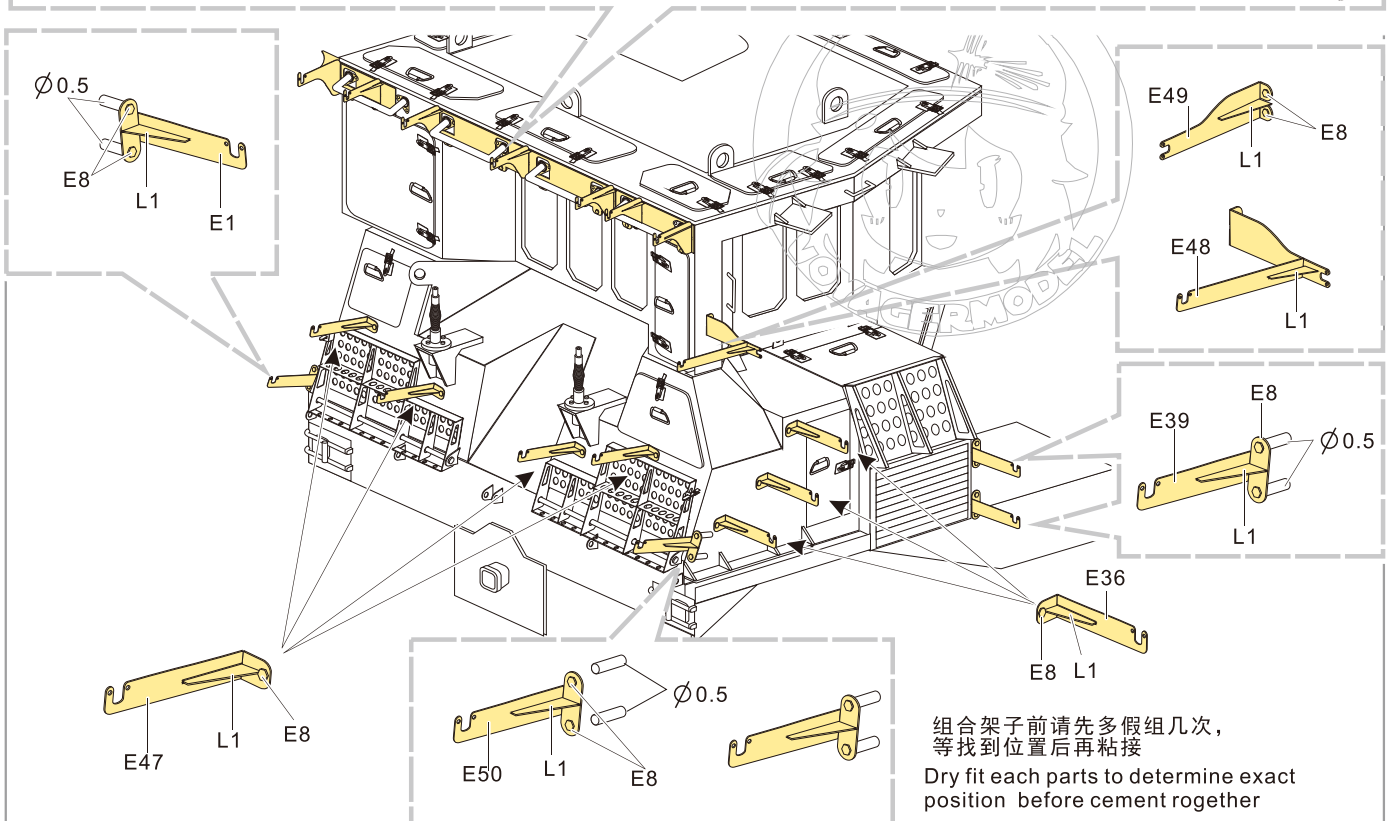
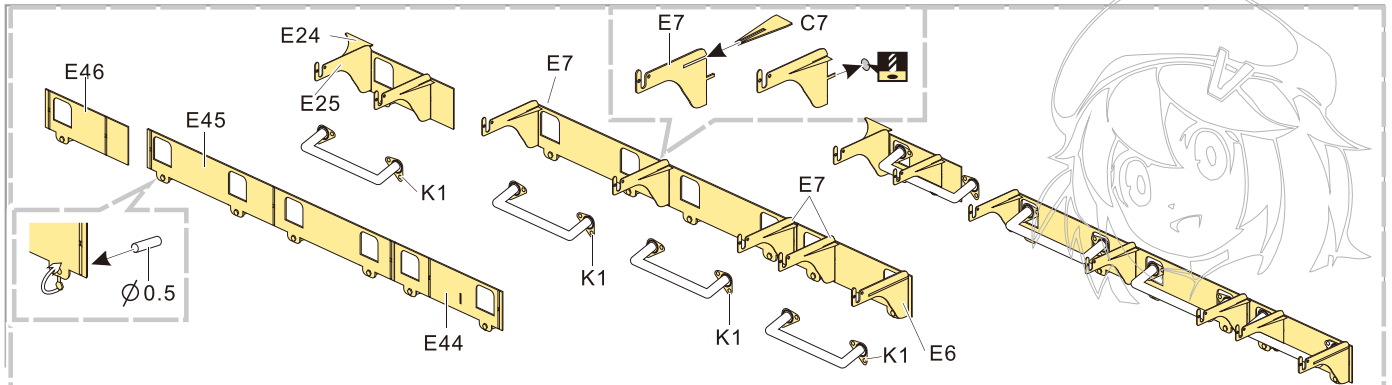
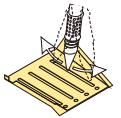


- 
安装
install
- 
折叠
bend
- A1**
 改造件零件编号
PE/resin part number
- B12**
 原零件编号
kit part number
- 
打磨
grind off
- 
弧度卷曲
radial bending
- 
钻孔
drill
- C22**
 被替换的原零件编号
replaced kit part number
- 
切除
remove
- x2**
 制作若干组
multiple assembly
- 
填补
fill
- 
选择安装
alternative
- 
另一侧相同制作
repeat on opposite side

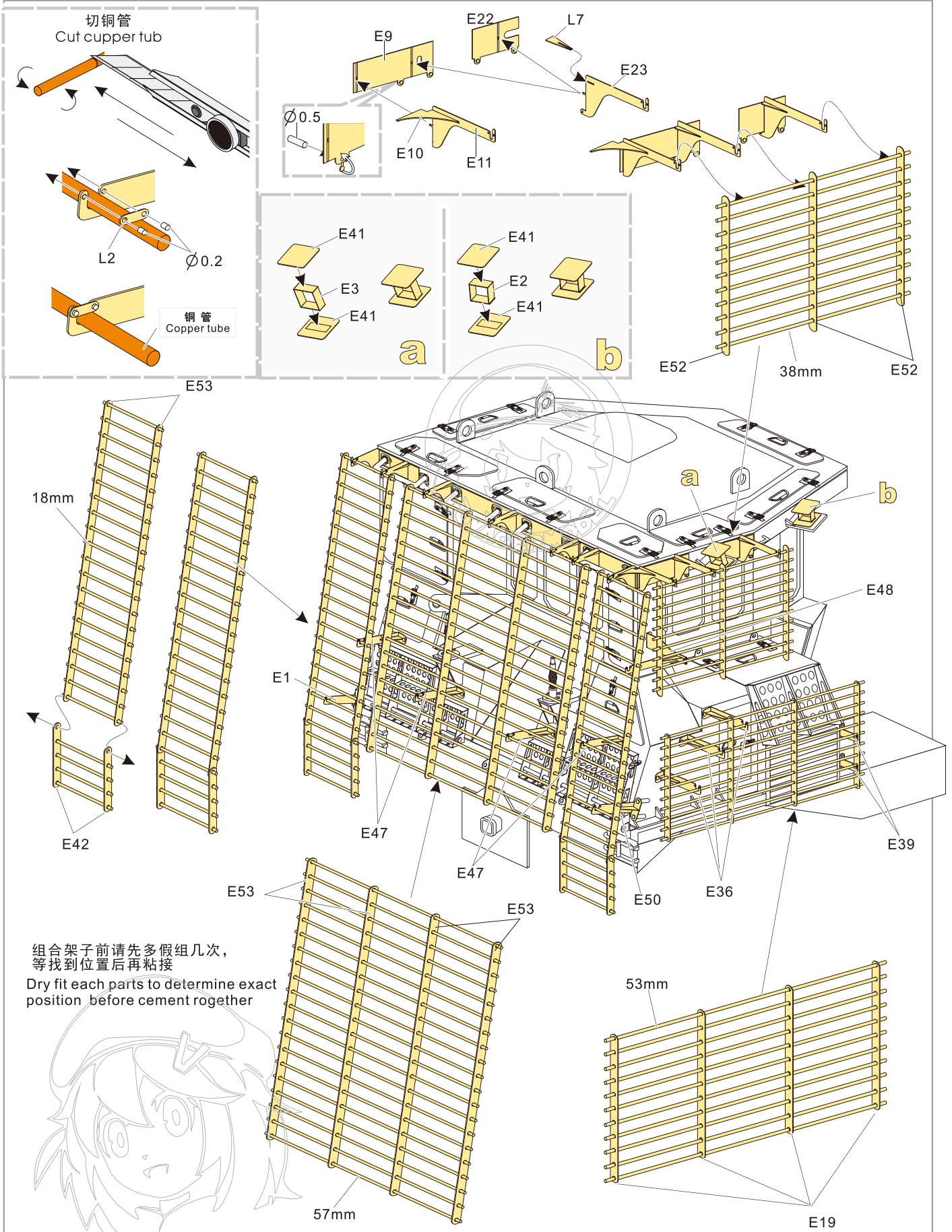
 用尖端在凹槽处冲压
use penpoint to press on the dent

 蚀刻片零件内侧面向上
Put the part upside down

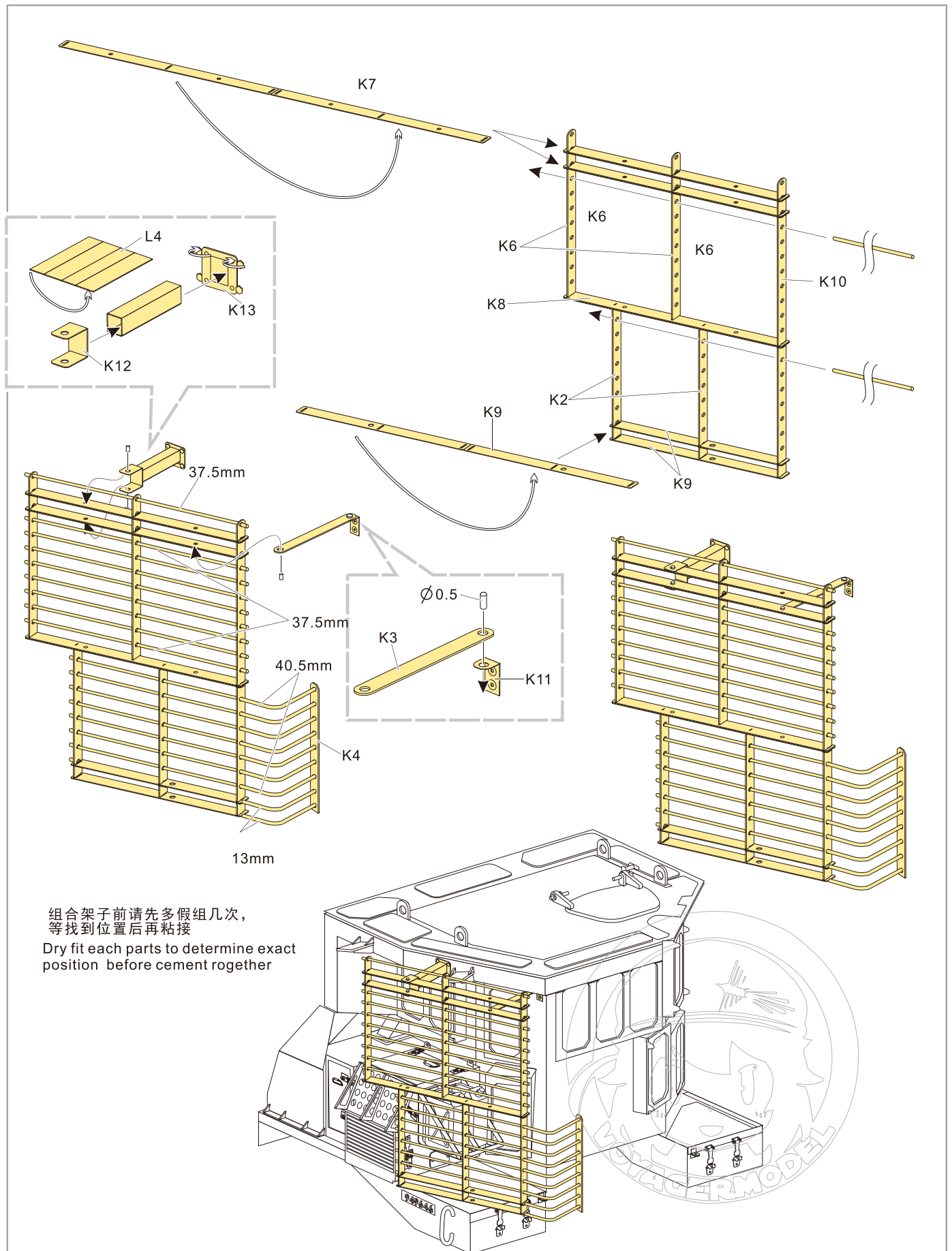
 用笔尖在凹槽处刺
Use penpoint to press on the dent



1/35 MILITARY MINIATURE VEHICLE UPGRADE SERIES PEA318

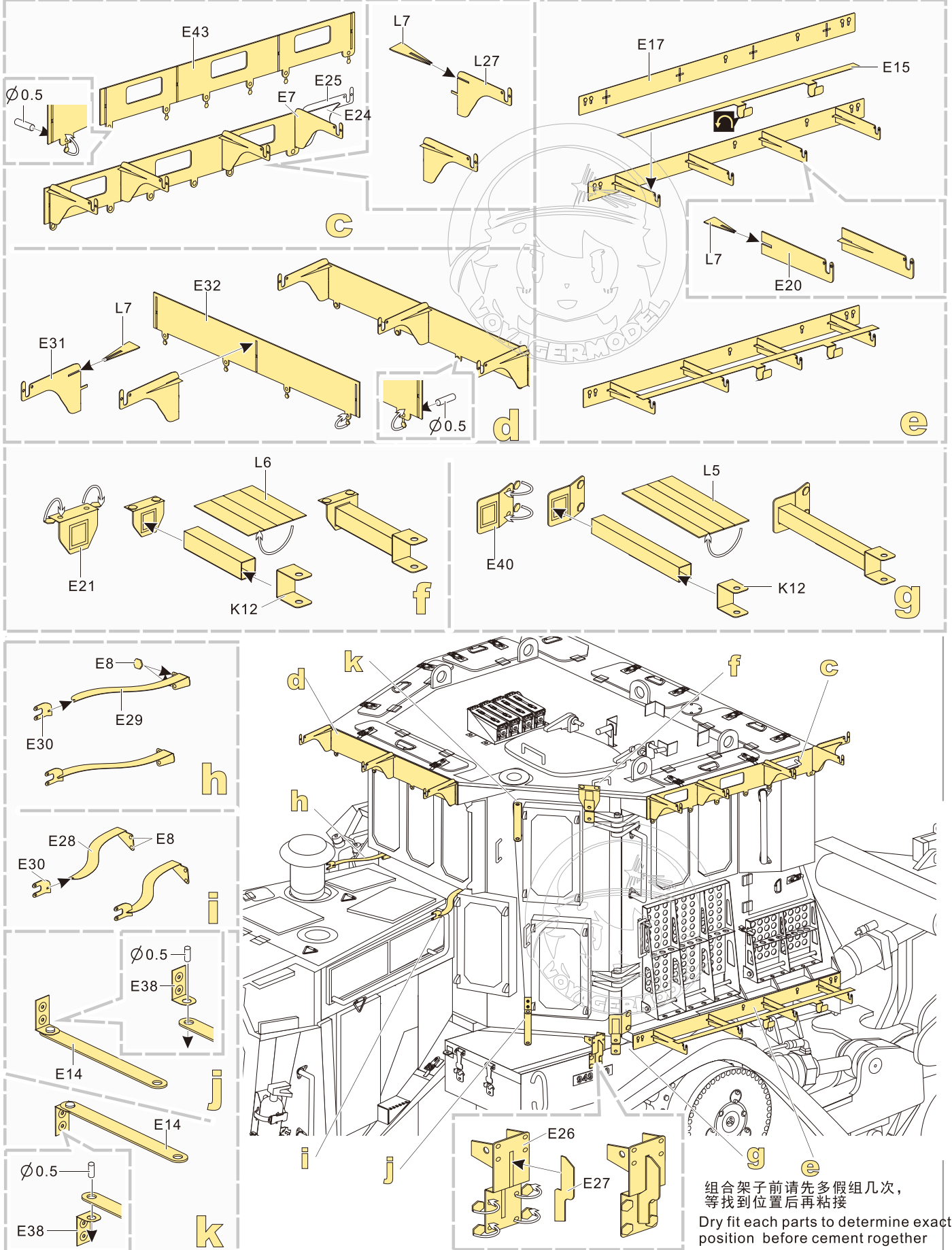


1/35 MILITARY MINIATURE VEHICLE UPGRADE SERIES PEA318

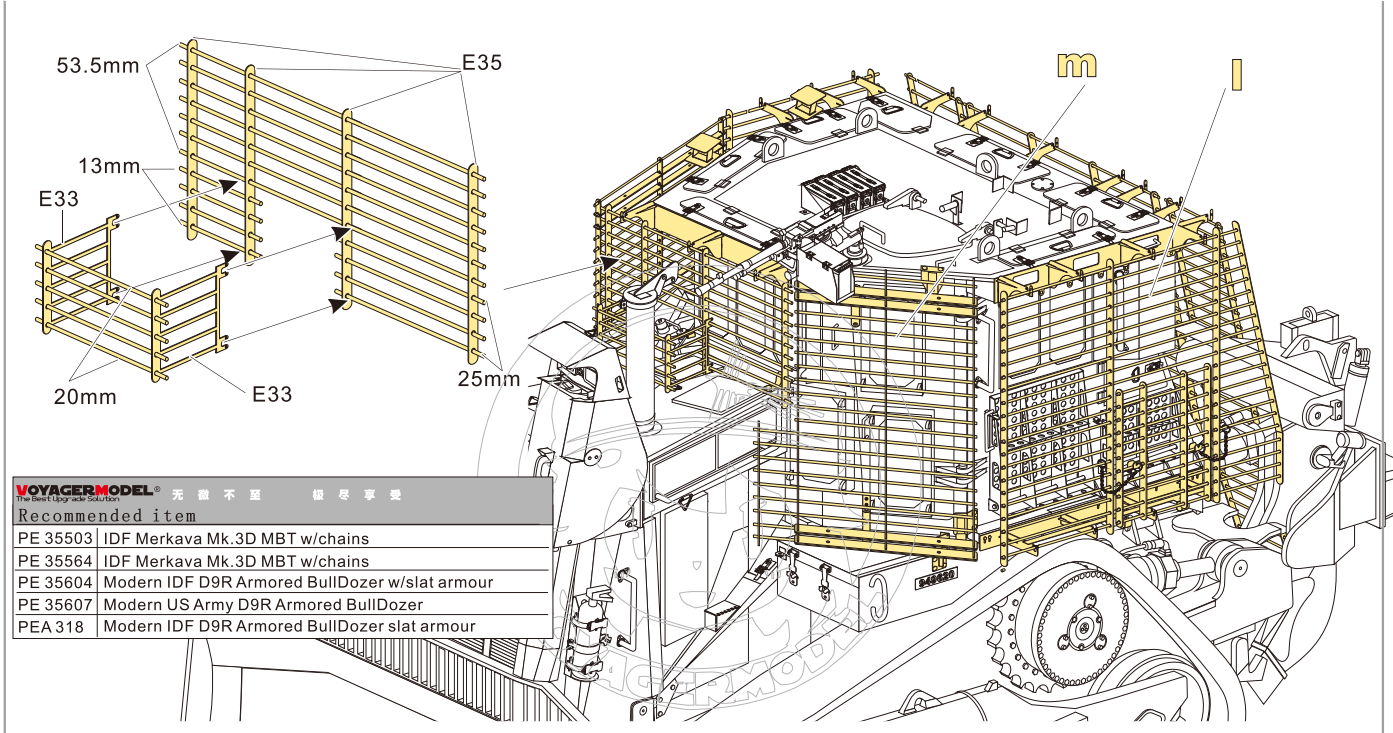
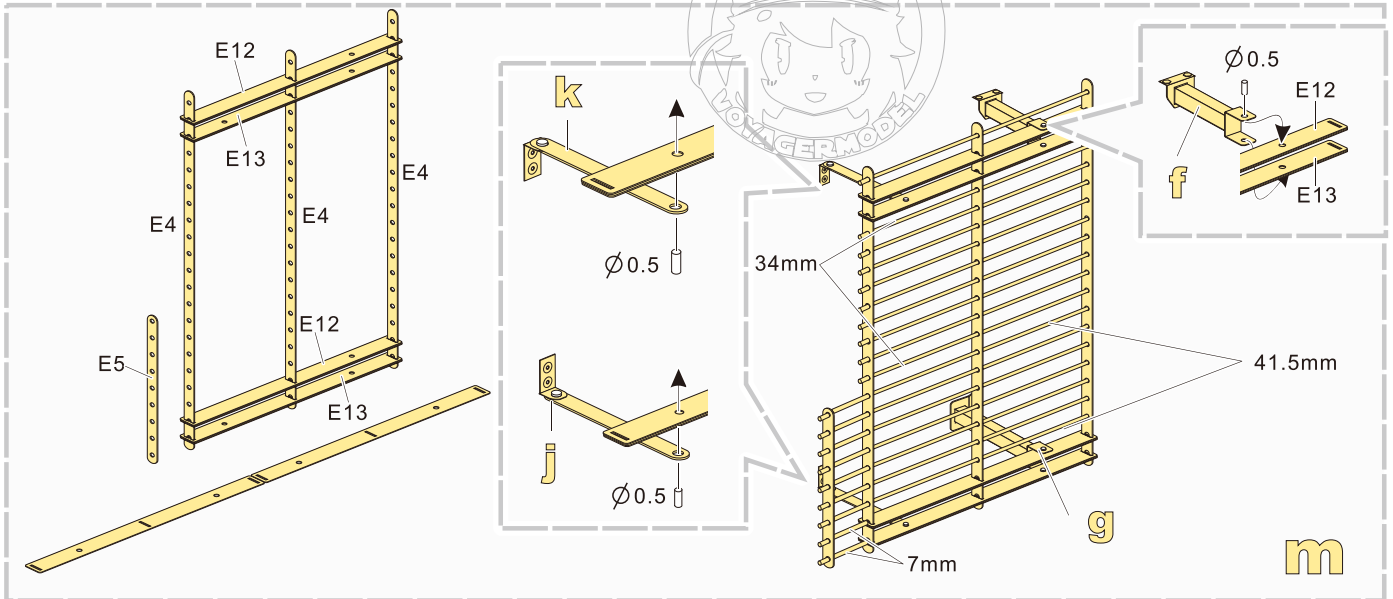
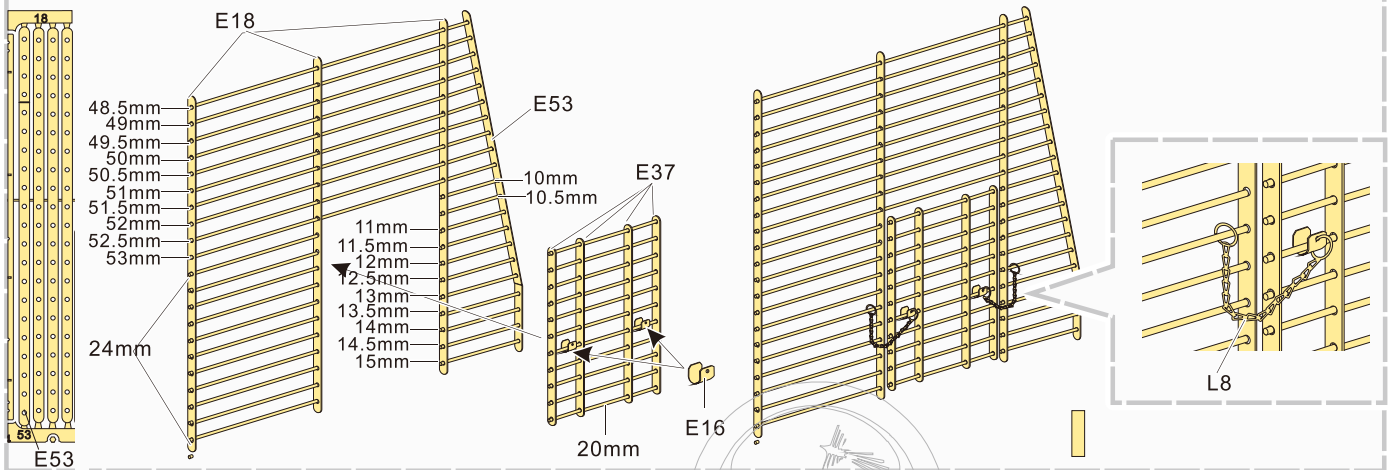


组合架子前请先多假组几次，
等找到位置后再粘接
Dry fit each parts to determine exact
position before cement together

1/35 MILITARY MINIATURE VEHICLE UPGRADE SERIES PEA318



1/35 MILITARY MINIATURE VEHICLE UPGRADE SERIES PEA318



VOYAGERMODEL® 无 微不至 极 尽 享 受
The Best Upgrade Solution

Recommended item	
PE 35503	IDF Merkava Mk.3D MBT w/chains
PE 35564	IDF Merkava Mk.3D MBT w/chains
PE 35604	Modern IDF D9R Armored BullDozer w/slat armour
PE 35607	Modern US Army D9R Armored BullDozer
PEA 318	Modern IDF D9R Armored BullDozer slat armour