

NASA Space Shuttle



The Space Shuttle was the first operational orbital spacecraft designed to be re-used after a mission. The first flight was recorded in 1981 with the last flight of the Shuttle program occurring in July 2011.

The Space Shuttle was developed to carry a variety of payloads into low earth orbit including satellites, the HUBBLE Space telescope, and components for the International Space Station (ISS). A variety of other missions were performed including re-supply and crew rotation for the International Space Station, numerous missions for scientific investigation and classified military missions for the United States Defense Department and US military.

A total of seven Space Shuttles were built but only six were capable of flight. One Shuttle simulator, "Pathfinder" was built and used for static ground testing and exhibition. Enterprise was used for flight testing within the atmosphere and five Shuttles were actually used for space flight. Two shuttles were lost during flight, Challenger and Columbia and four Space Shuttles, Endeavor, Discovery, Atlantis and Enterprise have been retired to museums across the United States.

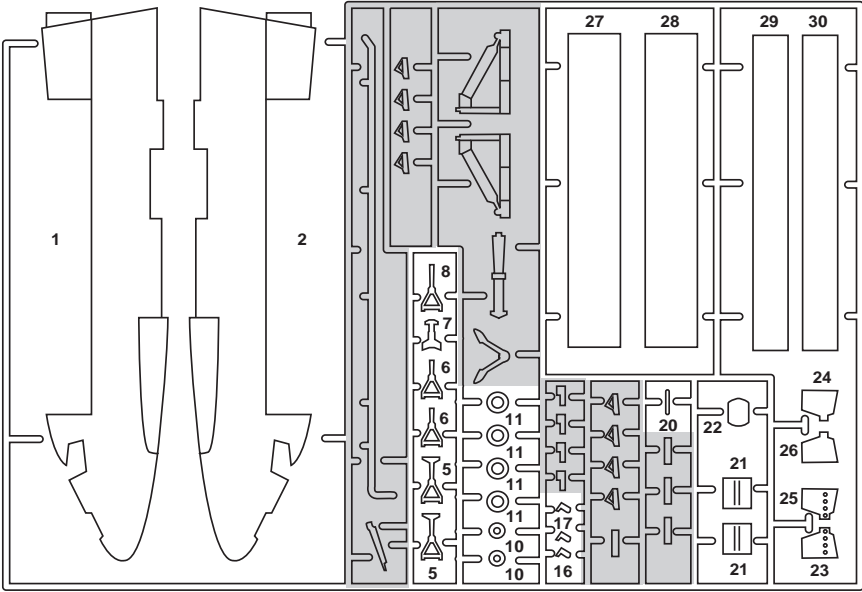
This Minicraft Models kit was developed to commemorate the surviving Space Shuttles and recognize these space pioneers for their contributions to the NASA Manned Space Program. Check for the location of the closest Space Shuttle on display near you.

Minicraft Models (US) LLC, 1501 Commerce Drive, Elgin IL 60123 USA

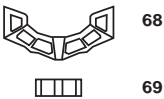
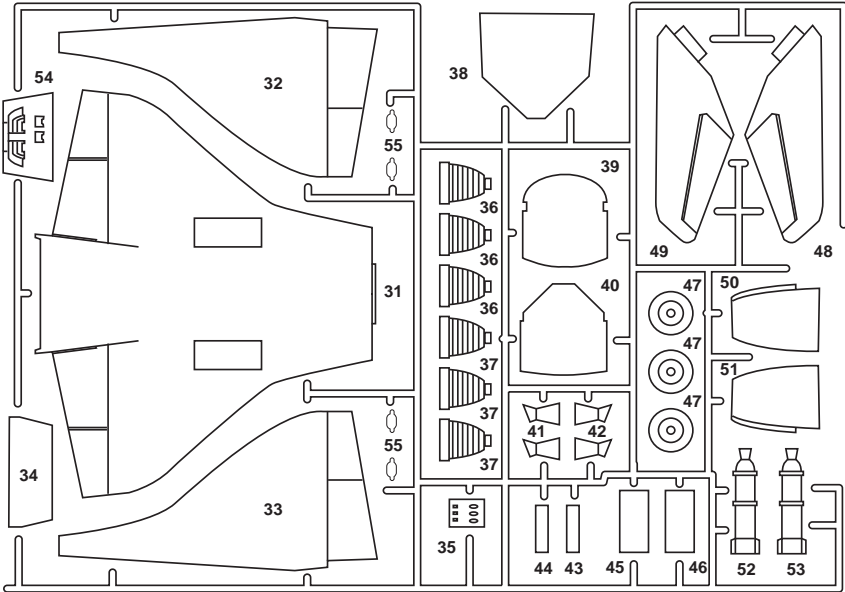
www.minicraftmodels.com

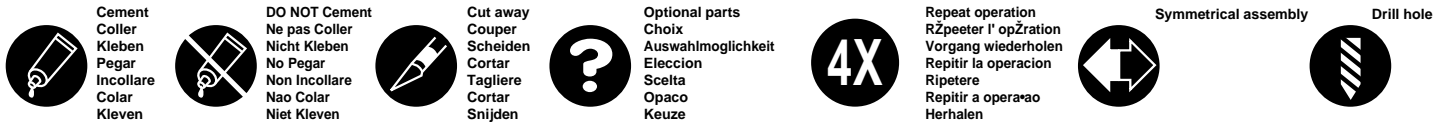
Printed in China

PARTS LAYOUT DIAGRAM



NOTE parts shaded in gray are not for use



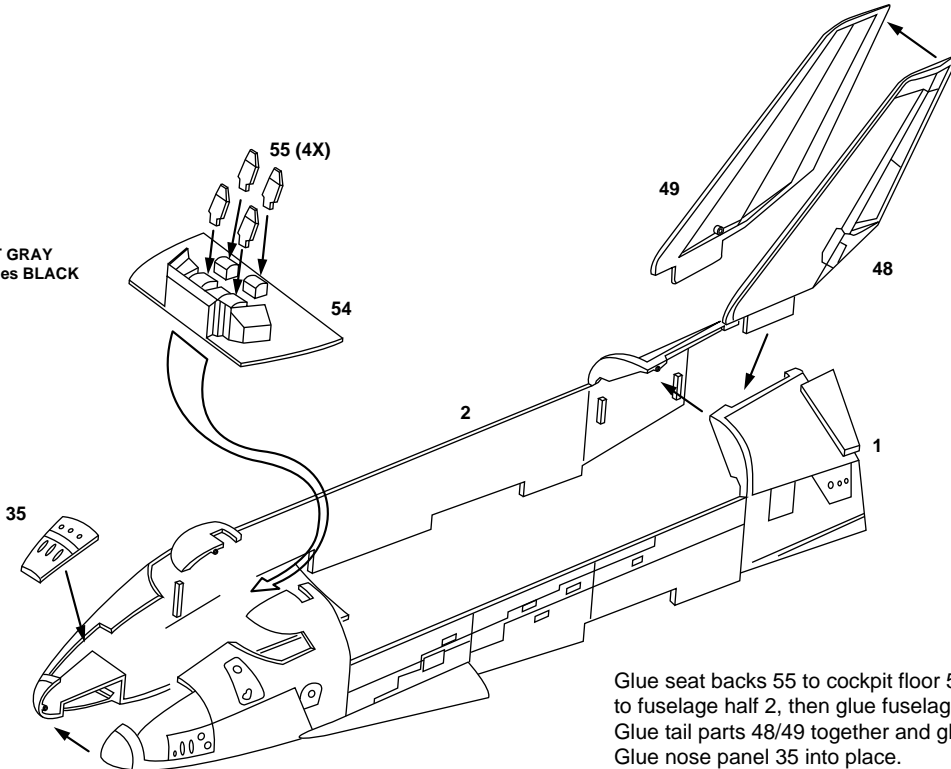


NOTE
 Please refer to the Color and Marking Diagram before beginning assembly. Space Shuttles showed many variations of color and sheen, especially on the exterior surfaces, so you may elect to paint parts or sub-assemblies as the model is being built. Specific part colors are noted in the assembly steps.

1 COCKPIT AND FUSELAGE ASSEMBLY




All Parts
 Floor LIGHT GRAY
 Seats & Consoles BLACK

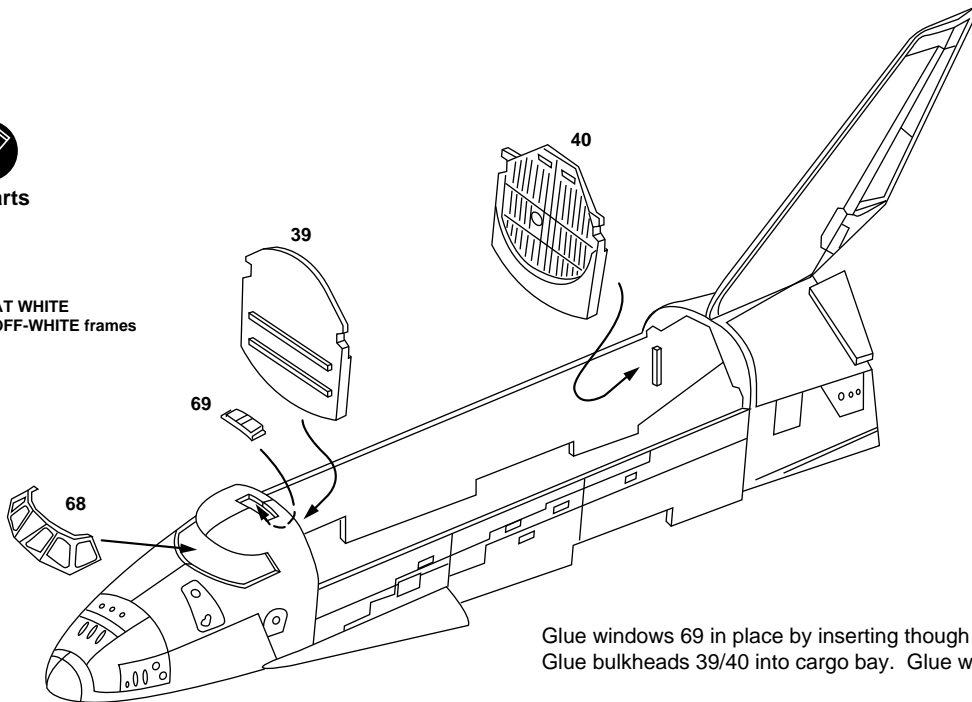


Glue seat backs 55 to cockpit floor 54. Glue cockpit assembly to fuselage half 2, then glue fuselage halves 1 & 2 together. Glue tail parts 48/49 together and glue to assembled fuselage. Glue nose panel 35 into place.

2 WINDOWS AND INTERIOR BULKHEADS



All Parts
 Bulkheads FLAT WHITE
 Windows BLACK with OFF-WHITE frames



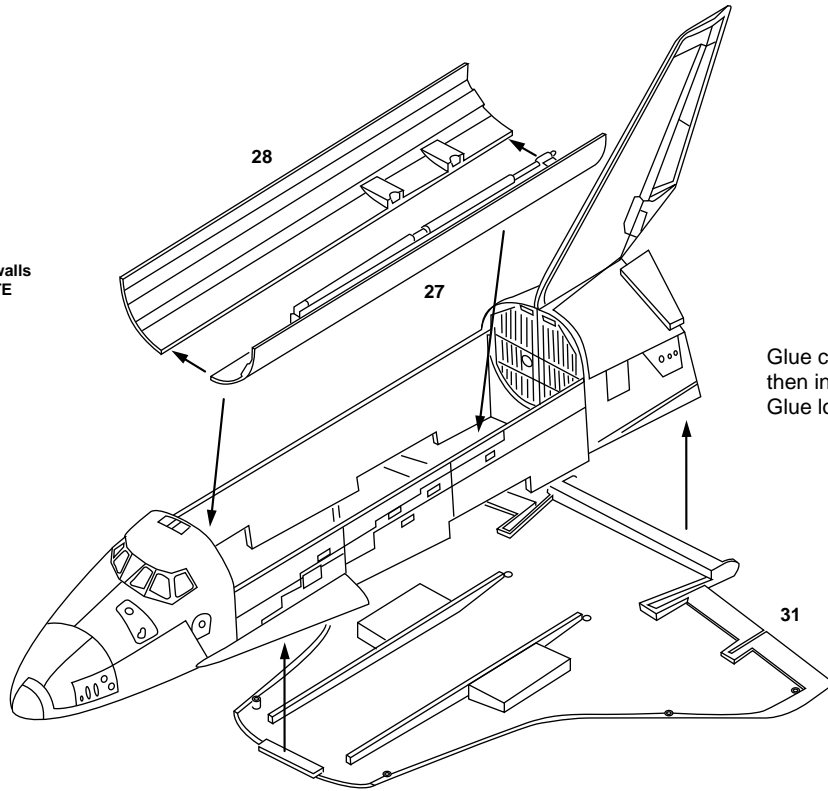
Glue windows 69 in place by inserting through assembled fuselage. Glue bulkheads 39/40 into cargo bay. Glue windshield 68 into place.

3 CARGO BAY FLOOR AND LOWER WING



All Parts

Cargo bay floor and walls
SEMI-GLOSS WHITE



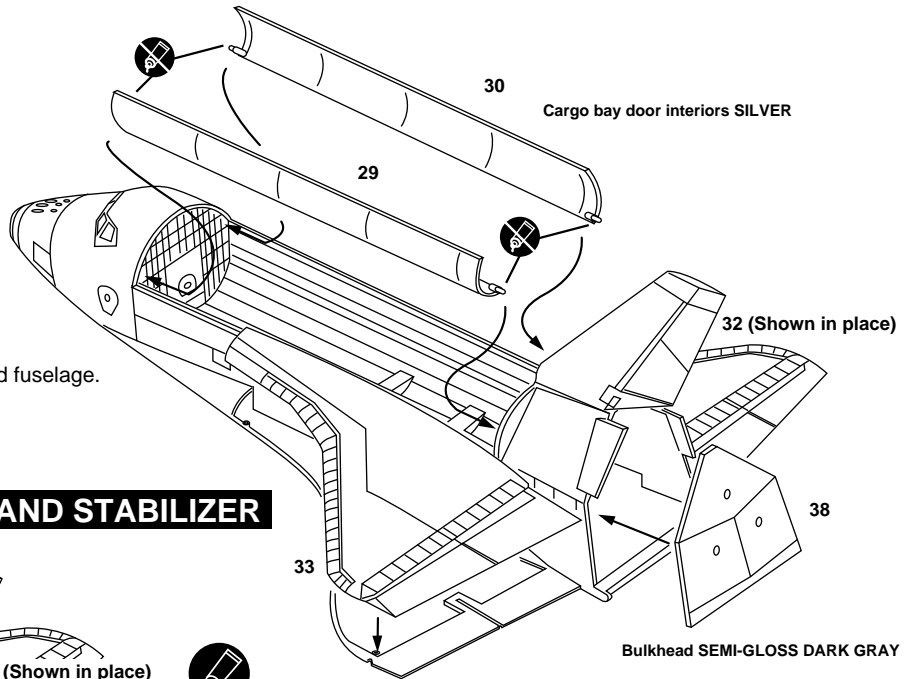
Glue cargo bay floor parts 27/28 together,
then insert and glue into cargo bay.
Glue lower wing 31 to fuselage.

4 UPPER WINGS, CARGO BAY DOORS & ENGINE BULKHEAD



All Parts
except as noted

Gently press doors 29/30 into holes in bulkheads
(do not glue). Glue upper wings 32/33 to lower wing and fuselage.
Glue rear bulkhead 38 to fuselage.



Cargo bay door interiors SILVER

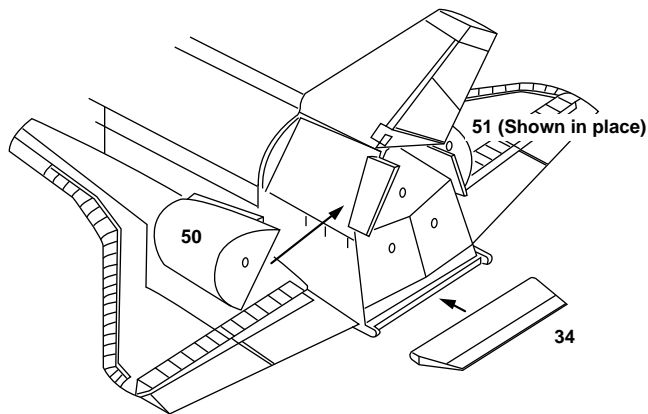
32 (Shown in place)

Bulkhead SEMI-GLOSS DARK GRAY

5 REAR FUSELAGE BULGES AND STABILIZER



All Parts

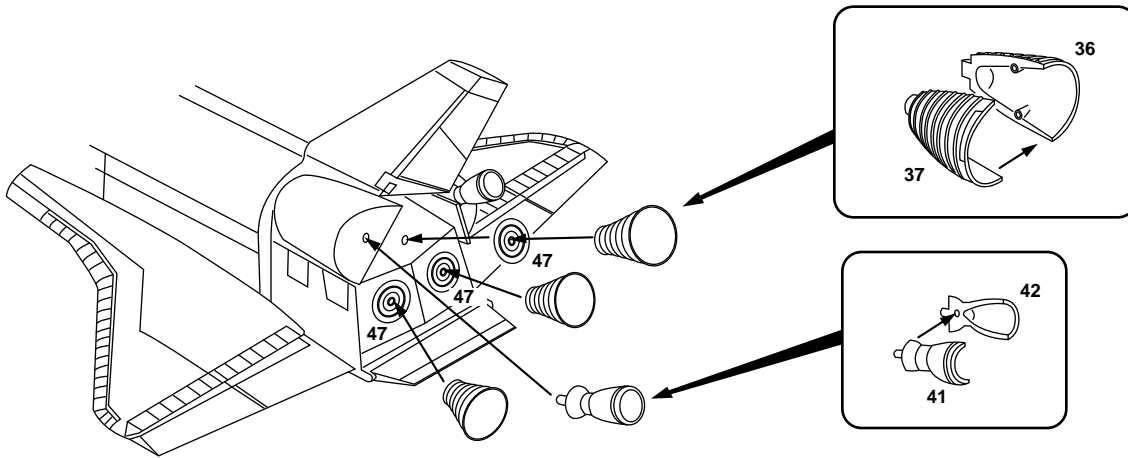


Glue bulges 50/51 to fuselage as shown.
Glue stabilizer 34 in place.

6 MAIN ENGINES AND MANEUVERING NOZZLES



All Parts



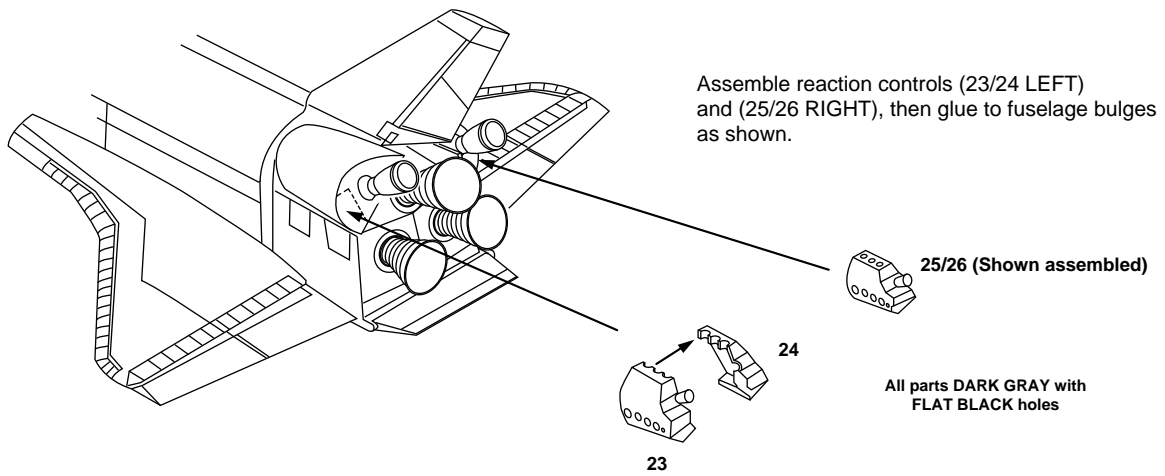
All parts METALLIC STEEL

Assemble three engines (36/37). Glue three engine mounts (47) to rear bulkhead and attach engine assemblies. Assemble two maneuvering subsystem nozzles (41/42) and glue in place as shown. (Right module shown in place).

7 REACTION CONTROLS



All Parts



Assemble reaction controls (23/24 LEFT) and (25/26 RIGHT), then glue to fuselage bulges as shown.

25/26 (Shown assembled)

All parts DARK GRAY with FLAT BLACK holes

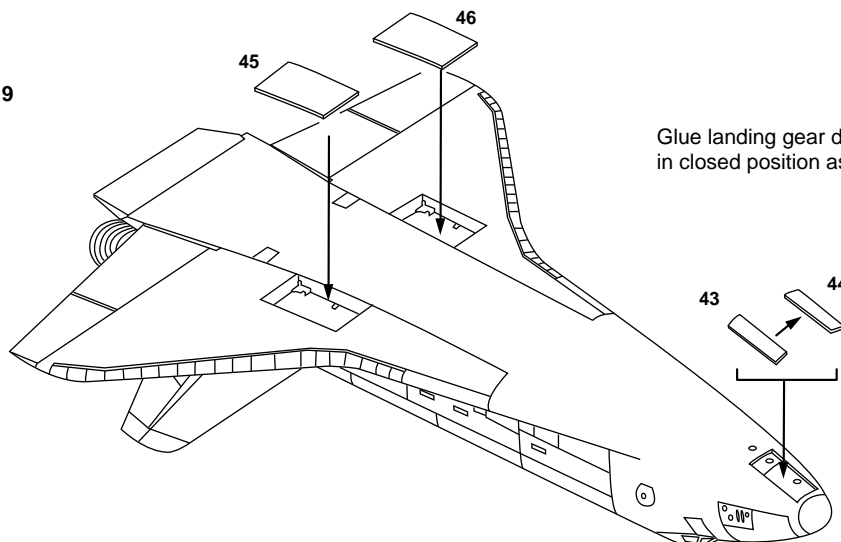
8 LANDING GEAR DOORS, ORBITING / IN FLIGHT MODE



All Parts

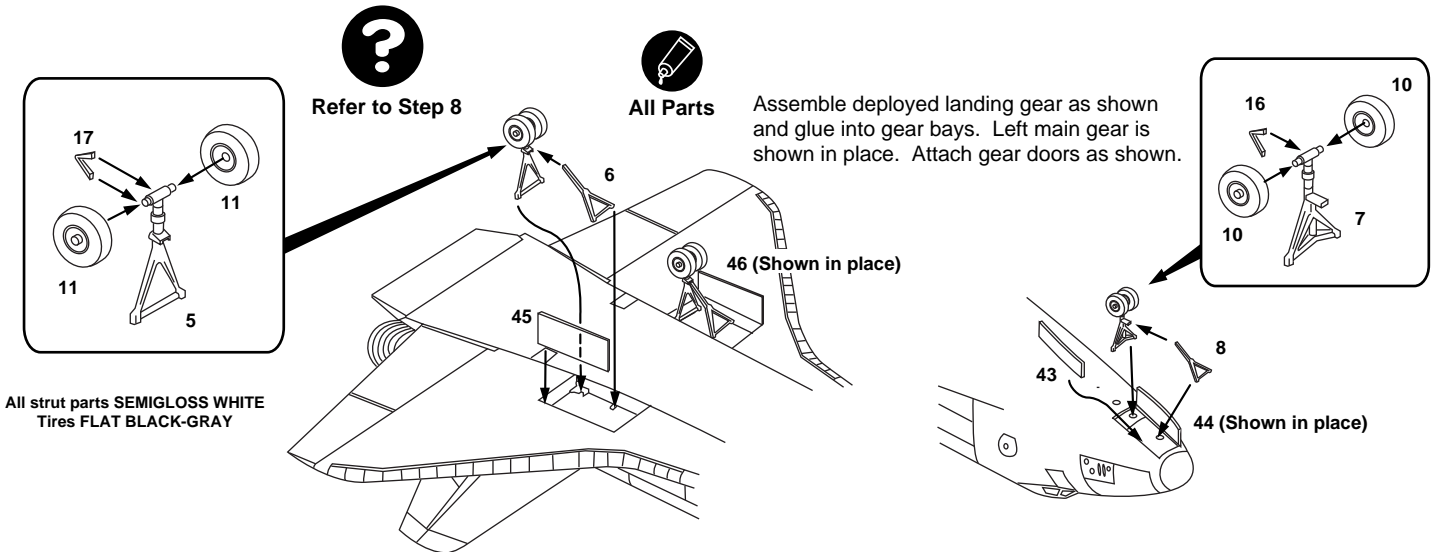


Refer to Step 9



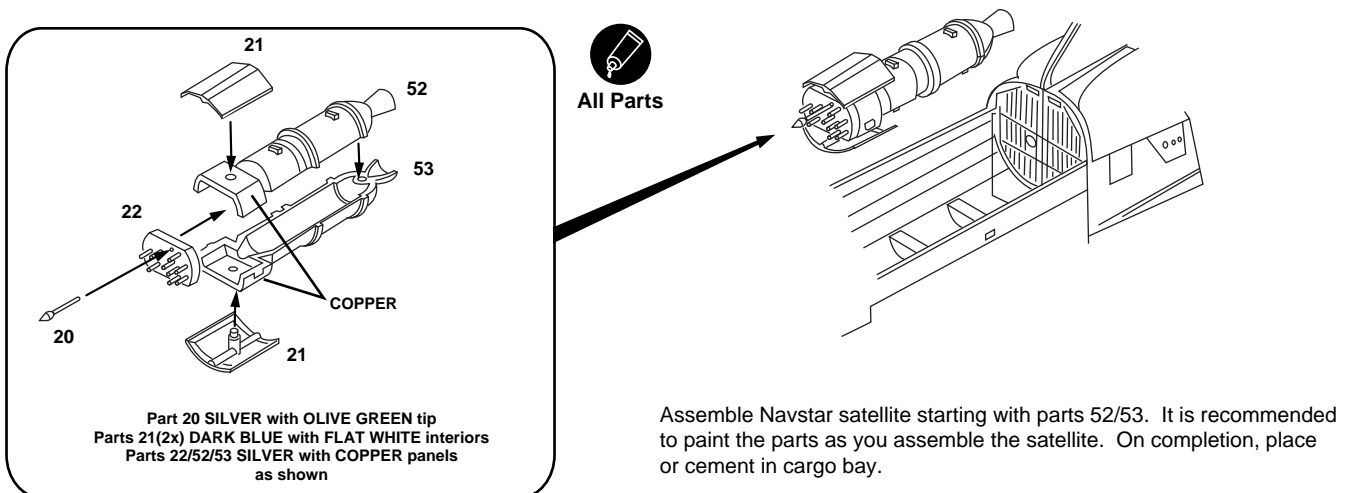
Glue landing gear doors (43/44/45/46) in closed position as shown.

9 LANDING GEAR, STATIONARY / LANDING MODE

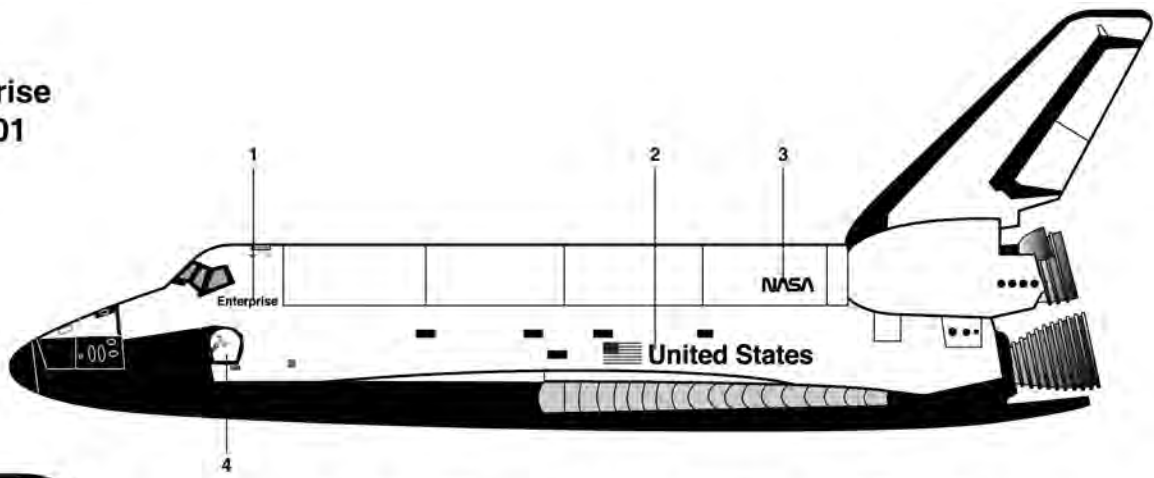


10 NAVSTAR SATELLITE (SHUTTLE PAYLOAD)

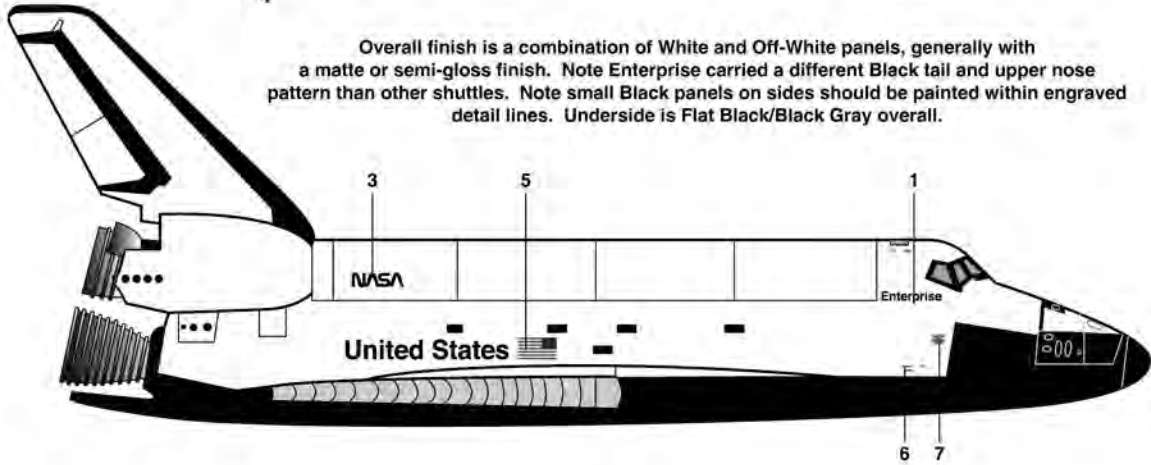
(Use of shuttle payload is optional)



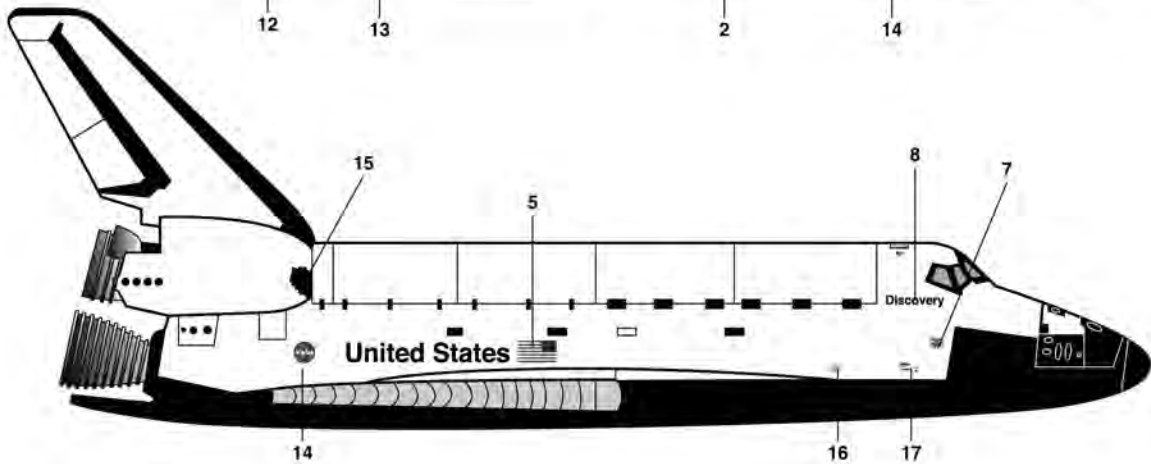
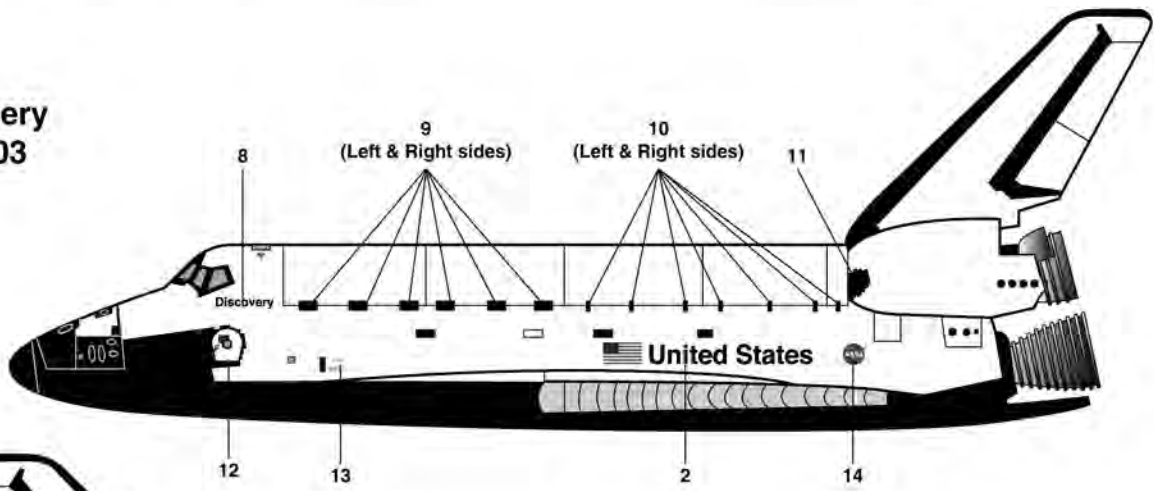
**Enterprise
OV-101**



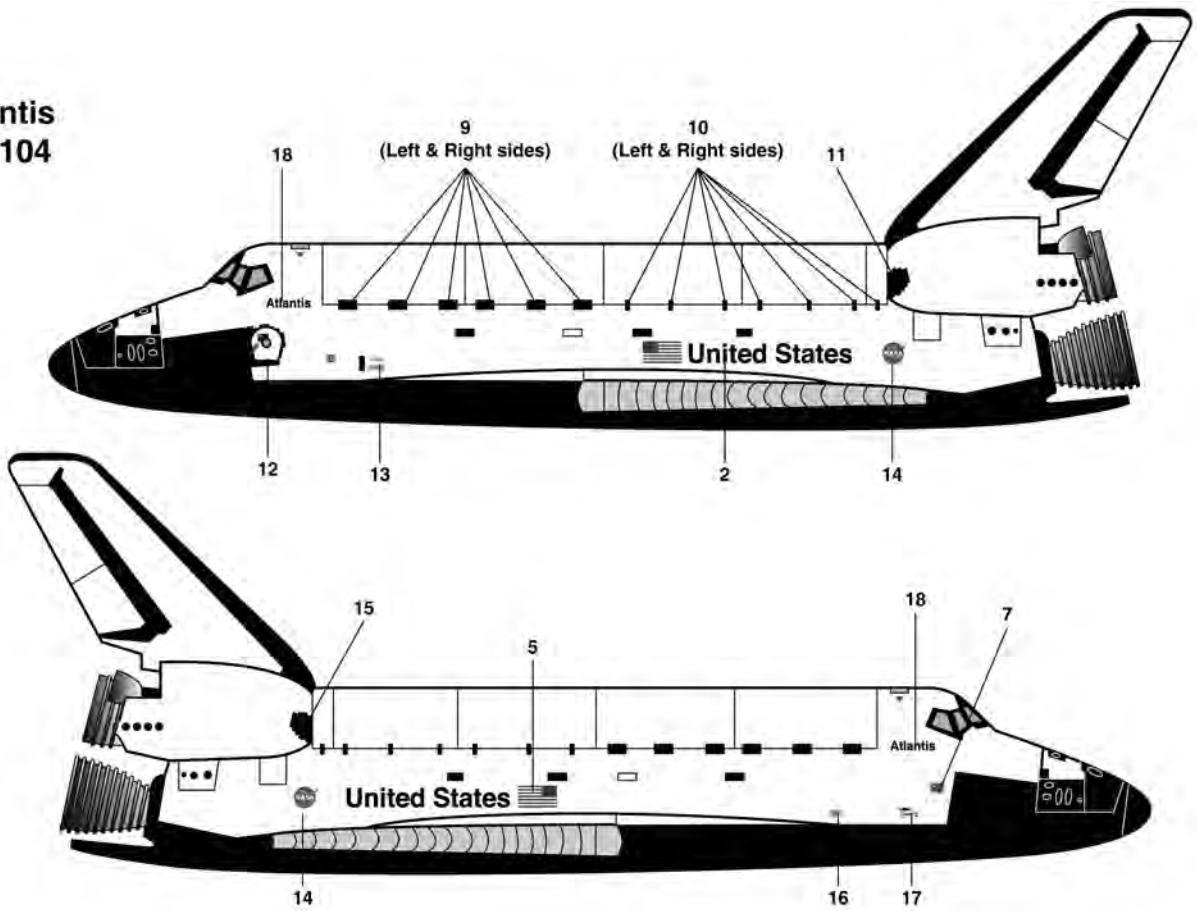
Overall finish is a combination of White and Off-White panels, generally with a matte or semi-gloss finish. Note Enterprise carried a different Black tail and upper nose pattern than other shuttles. Note small Black panels on sides should be painted within engraved detail lines. Underside is Flat Black/Black Gray overall.



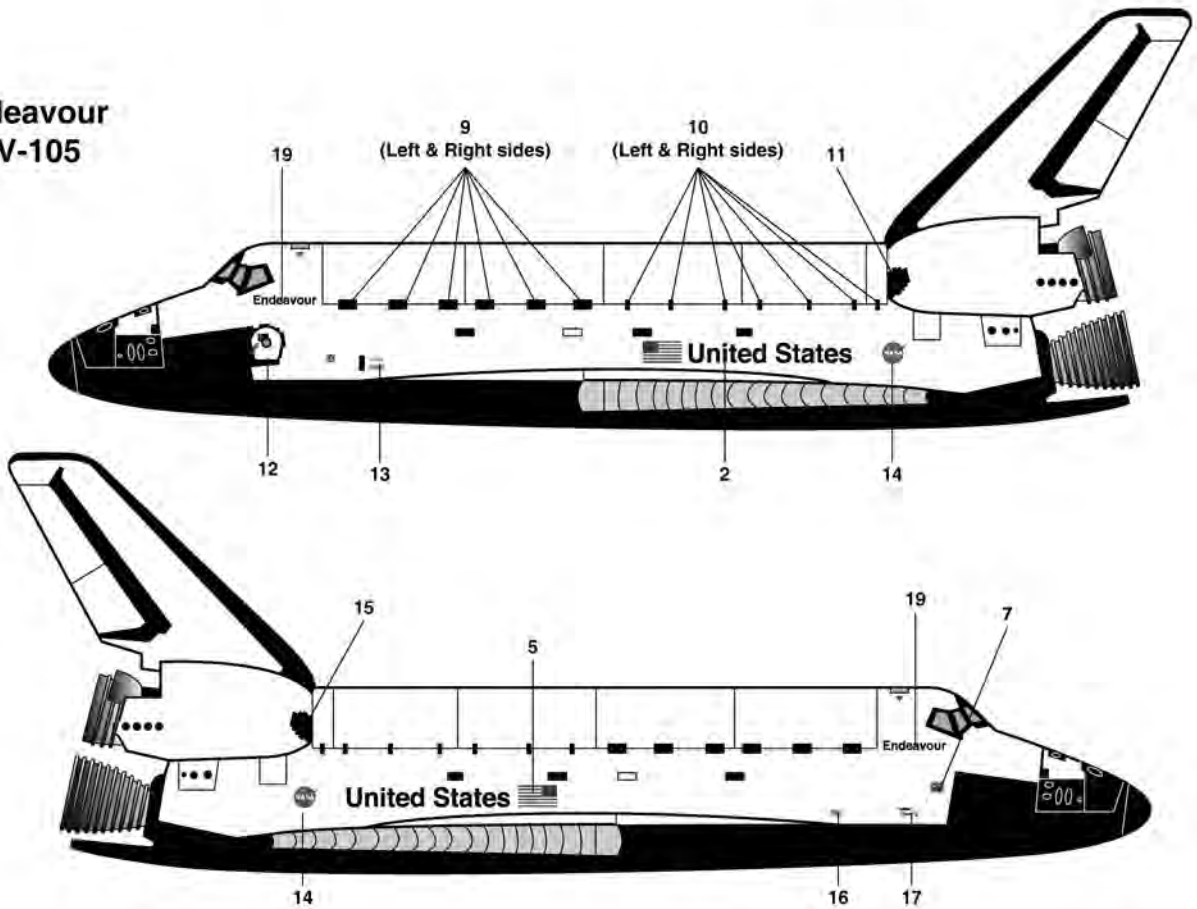
**Discovery
OV-103**



**Atlantis
OV-104**



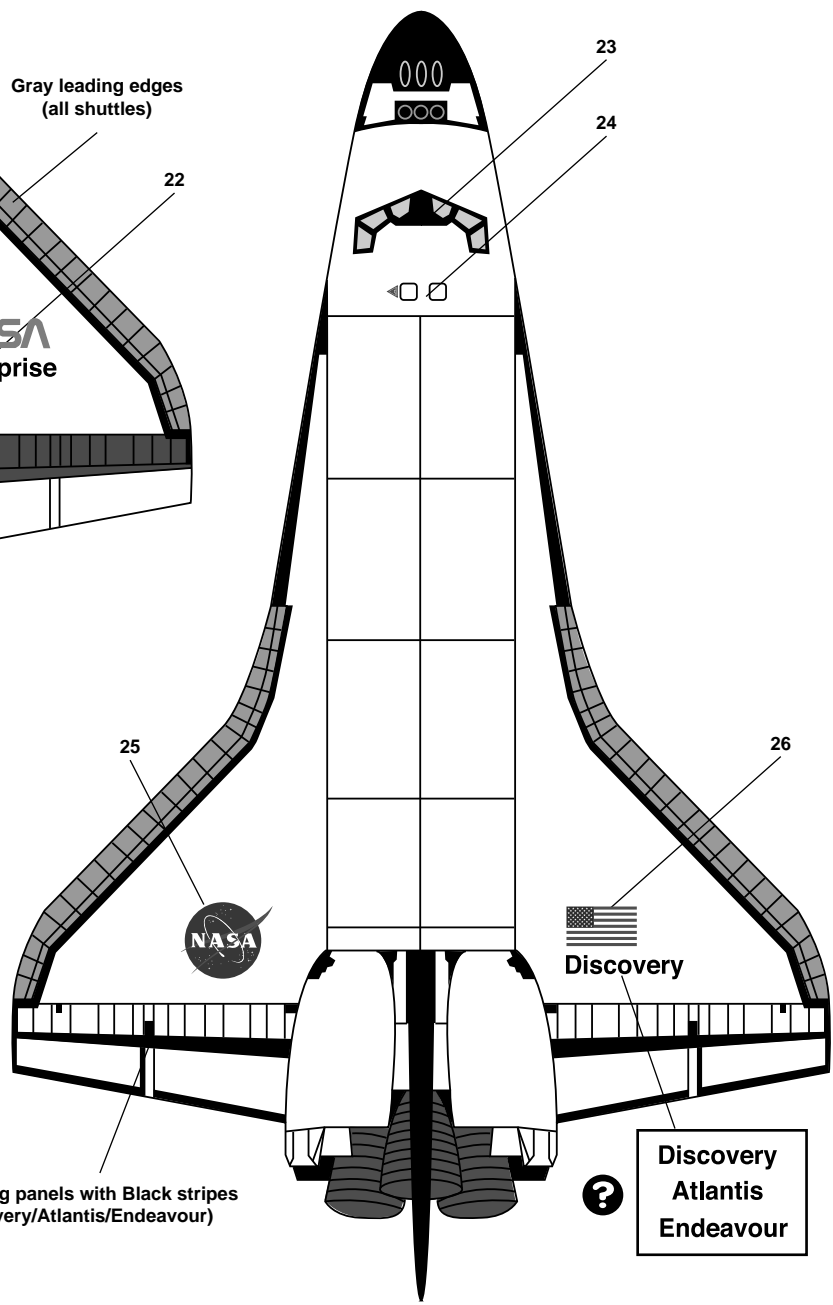
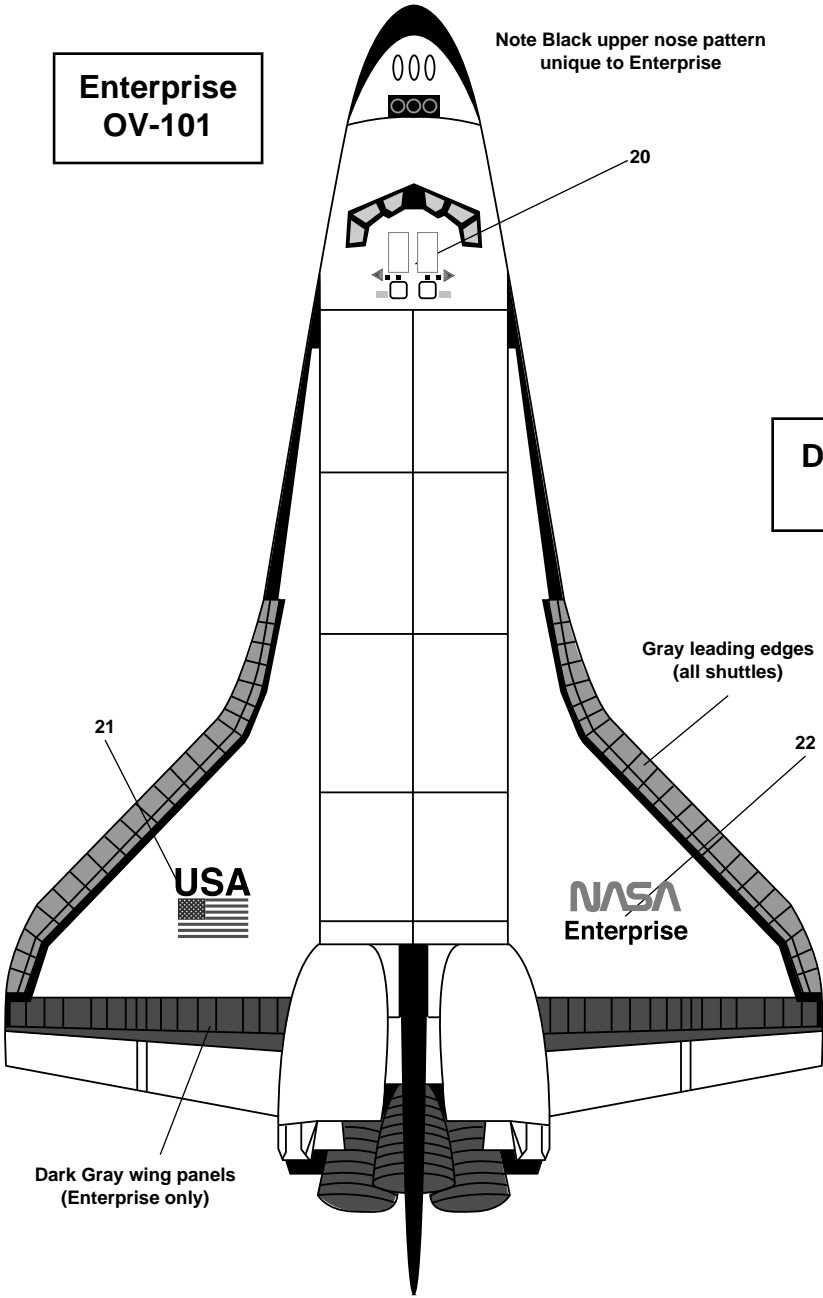
**Endeavour
OV-105**



**Enterprise
OV-101**

Note Black upper nose pattern
unique to Enterprise

Discovery OV-103	Atlantis OV-104	Endeavour OV-105
-----------------------------	----------------------------	-----------------------------



Dark Gray wing panels
(Enterprise only)

Gray leading edges
(all shuttles)

White wing panels with Black stripes
(Discovery/Atlantis/Endeavour)

**Discovery
Atlantis
Endeavour**

Your Minicraft model includes high-quality waterslide decals. These decals adhere best to a glossy surface; and it is recommended that you apply a clear gloss coat over your painted model.

Use a sharp scissors or knife to cut individual decals from the carrier sheet. Do not cut into the clear film surrounding the individual decals.

* It is recommended that you apply one decal at a time.

* Place the decal section in warm water, when first inserted in the water your decal will curl, after approximately ten seconds the decal will uncurl. Remove from water and lay on a paper towel. After approximately 10 - 20 seconds the decal will slide freely from the backing paper. Use a small brush to help slide the decal from the backing paper and into position on the model. Carefully blot excess water from the decal, using care not to move the decal or tear it.

* If you choose to use a setting solution, apply a thin coat over the decal following the manufacturer's instruction.

* Allow the decal to dry overnight. Wash any adhesive residue off the model with a small amount of clean water and dry thoroughly.

* Apply clear gloss, matte or flat coat to seal decals following the instructions from the manufacturer.



Legends in the making™

Visit our Website-
www.minicraftmodels.com

Minicraft Models (US) LLC
1501 Commerce Drive
Elgin, IL 60123

Phone: 847-429-9676