

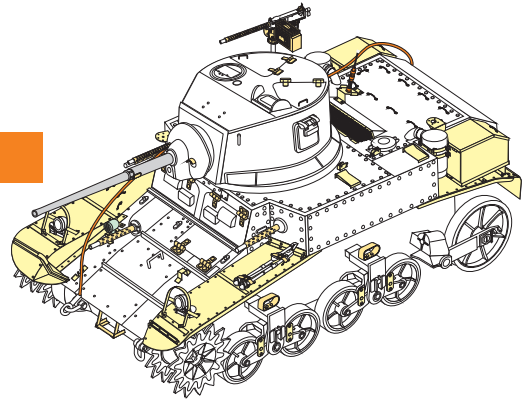
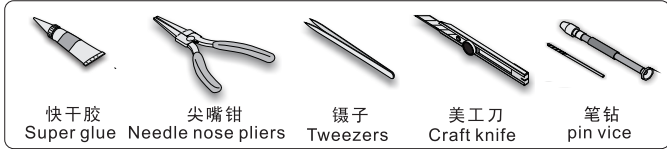
1/35 MILITARY MINIATURE VEHICLE UPGRADE SERIES PE35934

## WWII US M3 Stuart light tank basic (B ver include Gun barrel )

二战美军M3斯图尔特轻型坦克基本件 (B版本含炮管)


[For TAMIYA 35360]


**推荐使用工具 RECOMMENDED TOOLS**




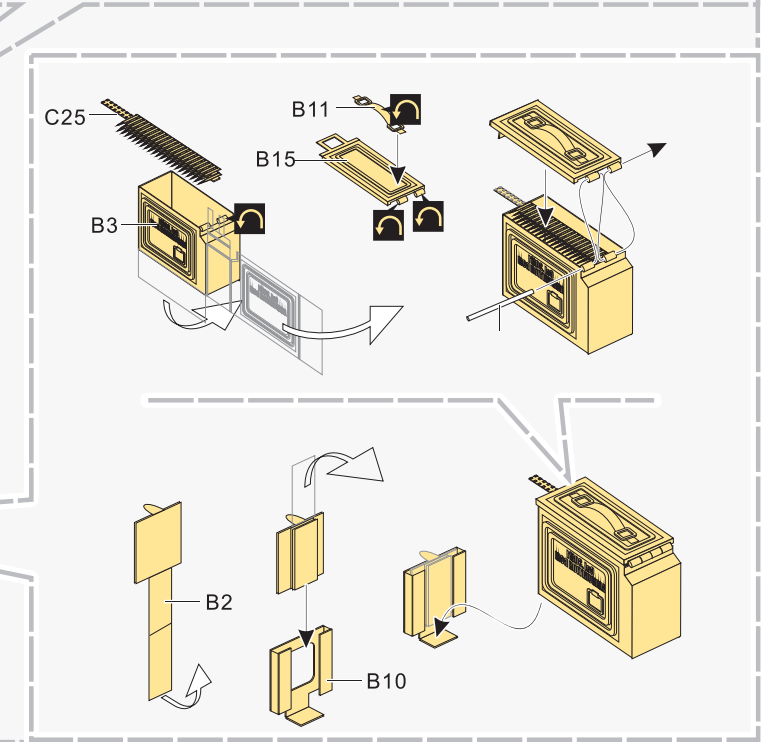
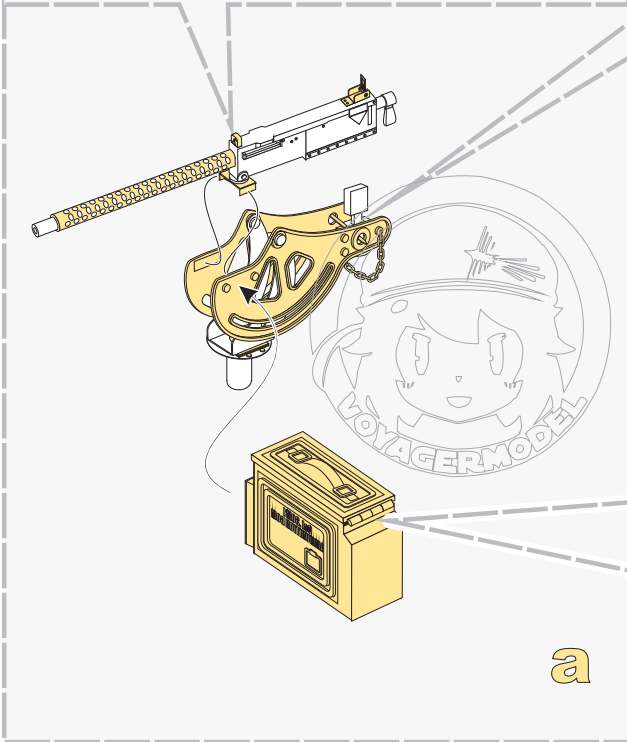
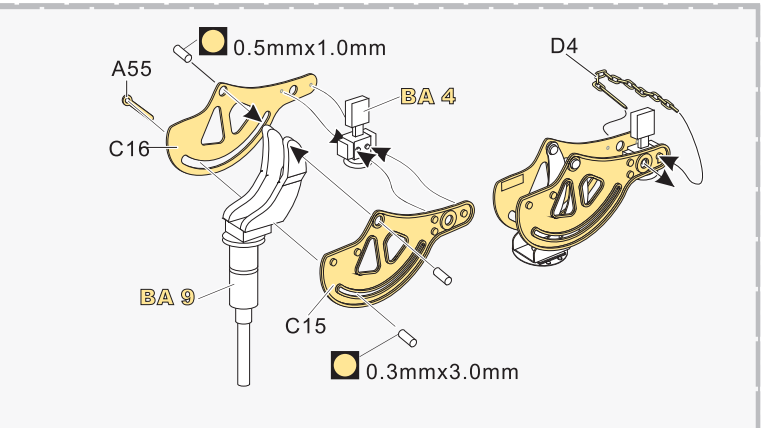
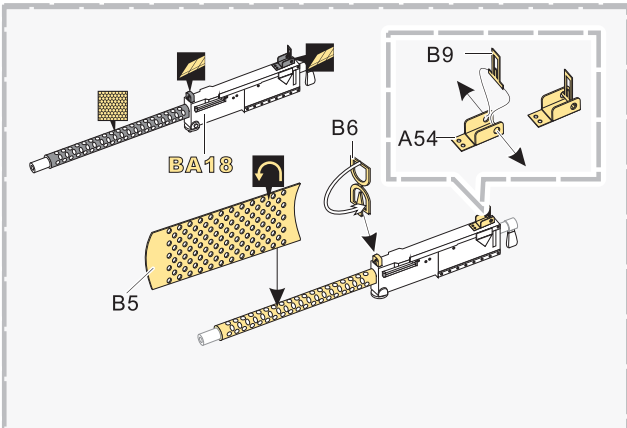
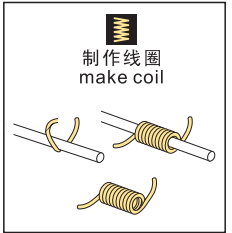
-   
**安装**  
install
-   
**折叠**  
bend
- A1**  
改造件零件编号  
PE/resin part number
- B12**  
原零件编号  
kit part number
- C22**  
被替换的原零件编号  
replaced kit part number
-   
**钻孔**  
drill
-   
**切除**  
remove
-   
**另一侧相同制作**  
repeat on opposite side
-   
**弧度卷曲**  
radial bending
- x2**  
制作若干组  
multiple assembly
-   
**选择安装**  
alternative

 用尖端在凹槽处冲压  
use penpoint to press on the dent

 制作线圈  
make coil

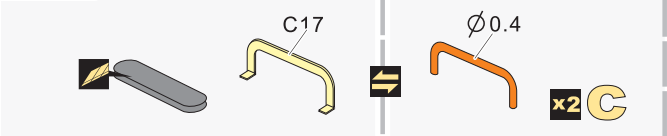
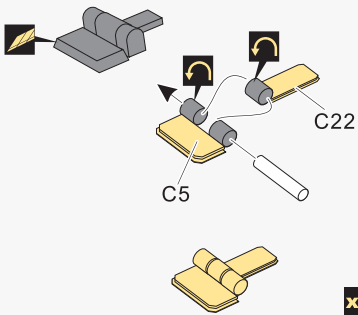
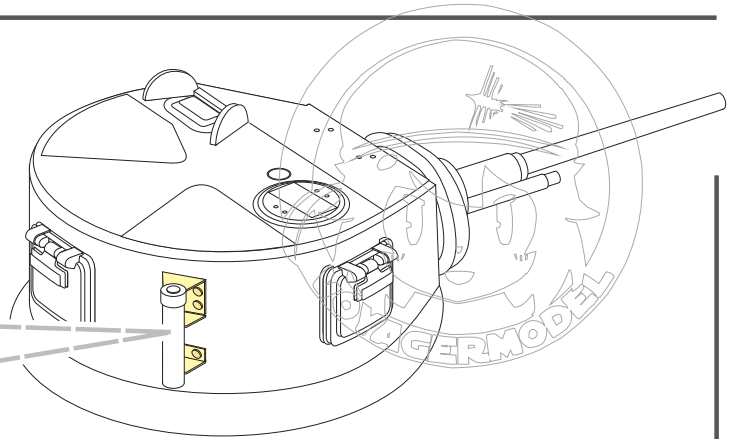
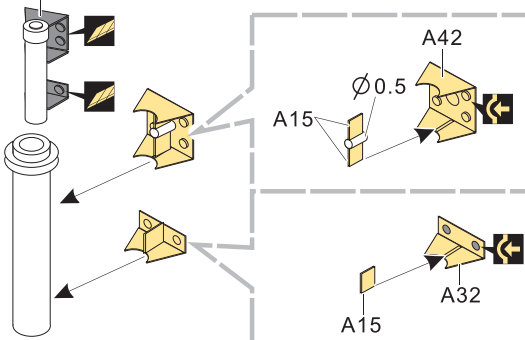
 蚀刻片零件内侧面向上  
Put the part upside down

 用笔尖在凹槽处刺  
Use penpoint to press on the dent

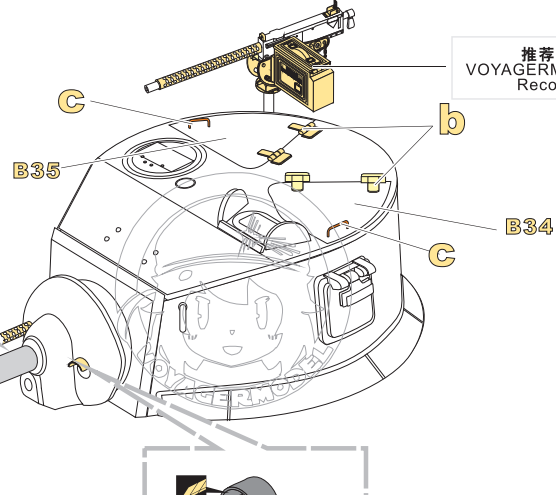
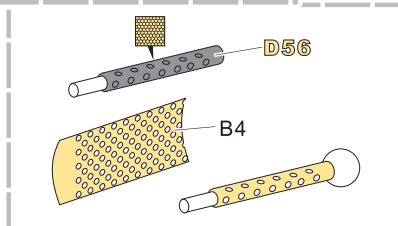


1/35 MILITARY MINIATURE VEHICLE UPGRADE SERIES PE35934

B1, B2

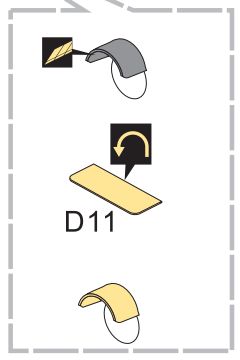


推荐 PEA081  
VOYAGERMODEL PEA 081  
Recommended



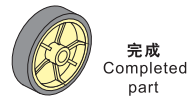
**THE STEPS IN THE BLACK BOX APPLY FOR Pe35934 B VERSION**  
黑框内的步骤仅适用于PE35934 B版本

金属件  
Metal part

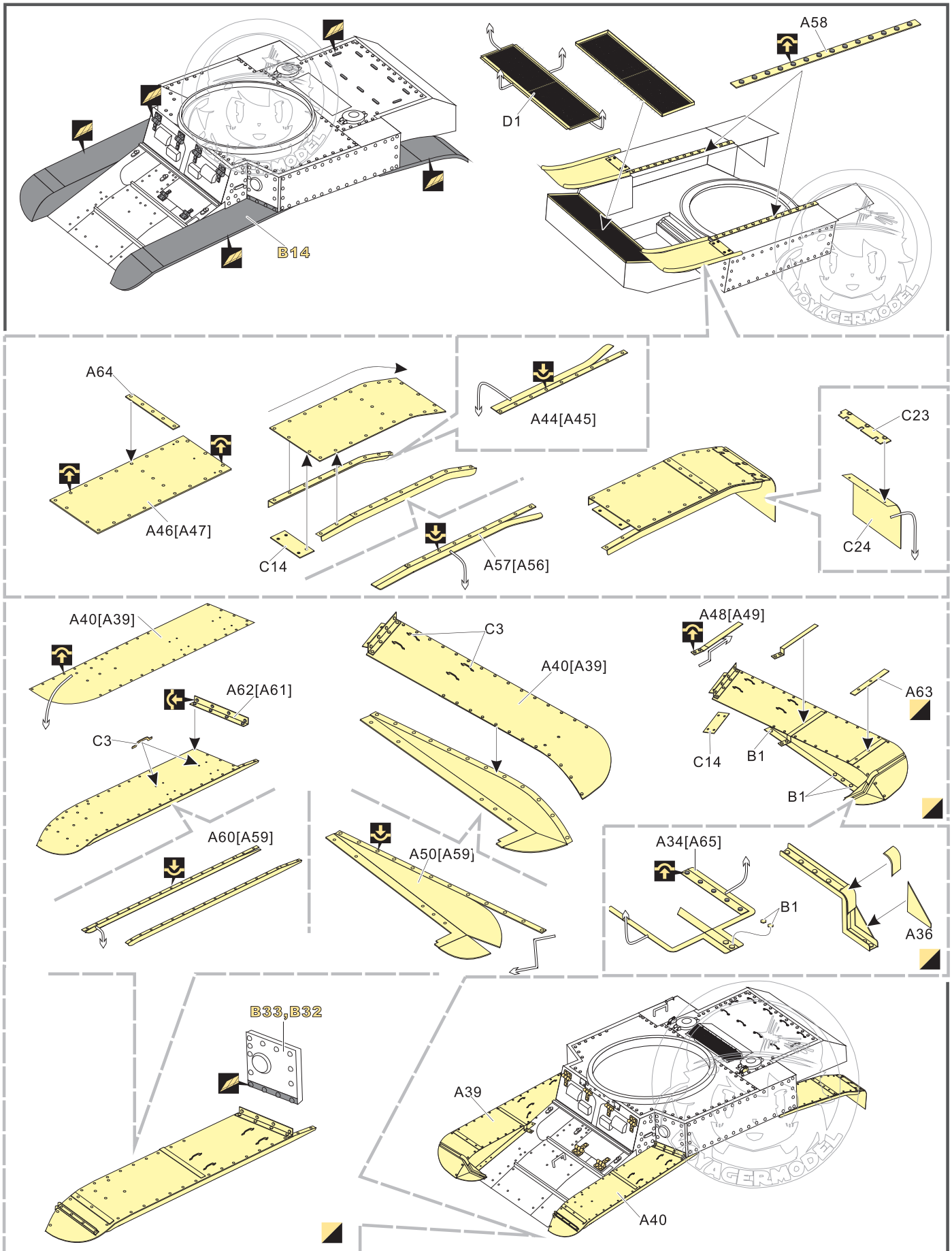


先切下一块遮盖胶纸  
Cut a piece of masking tape to proper len

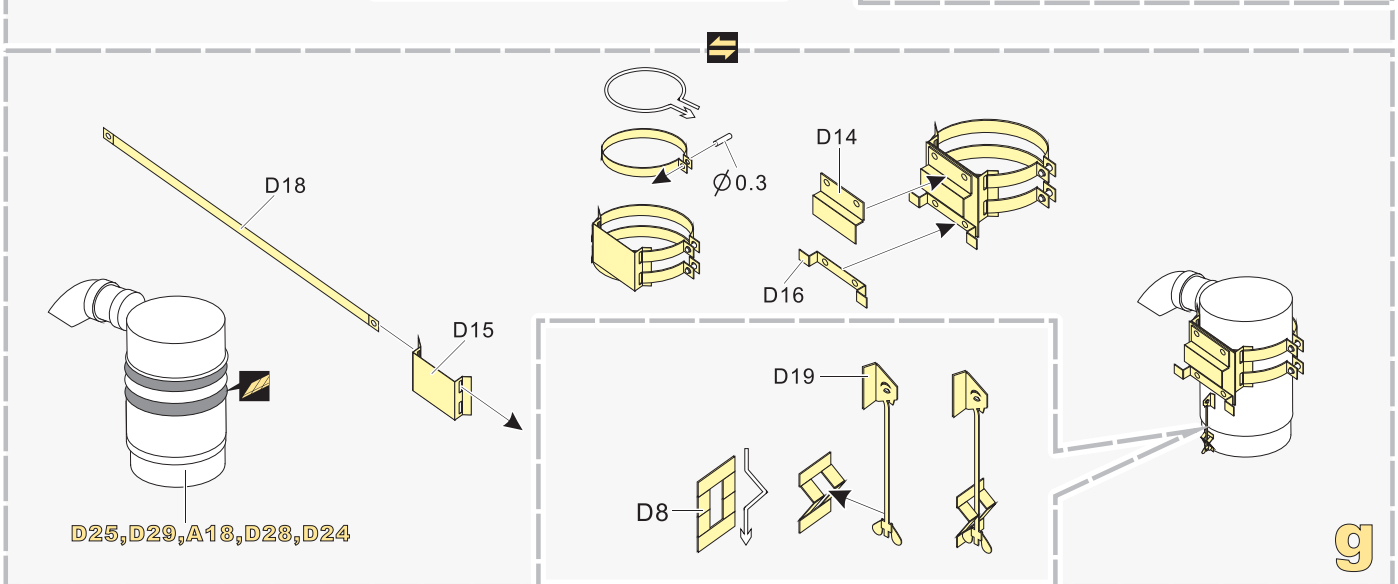
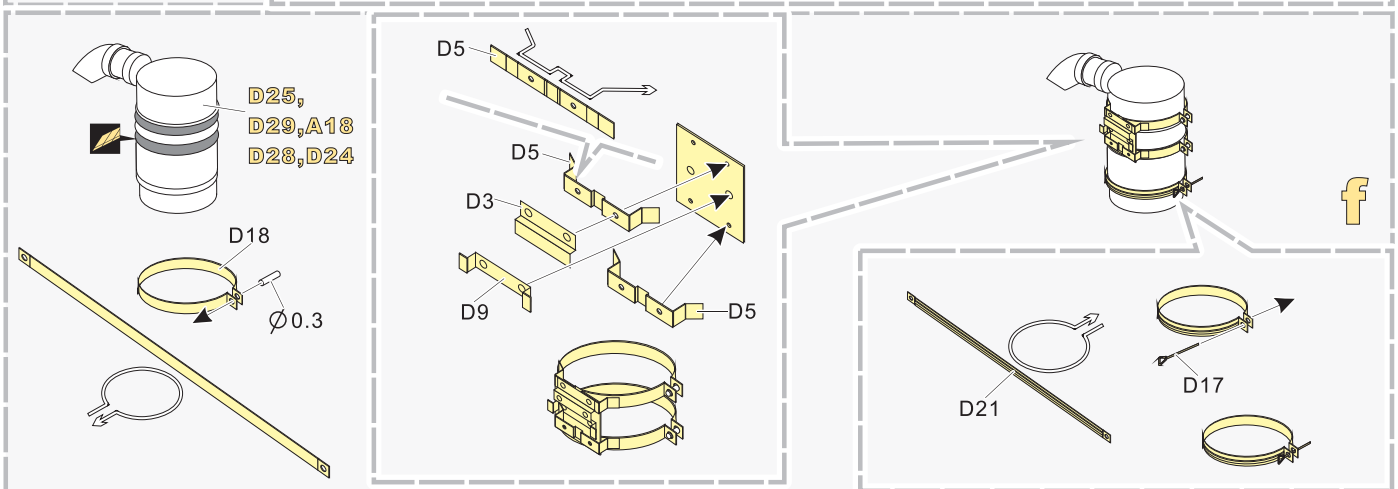
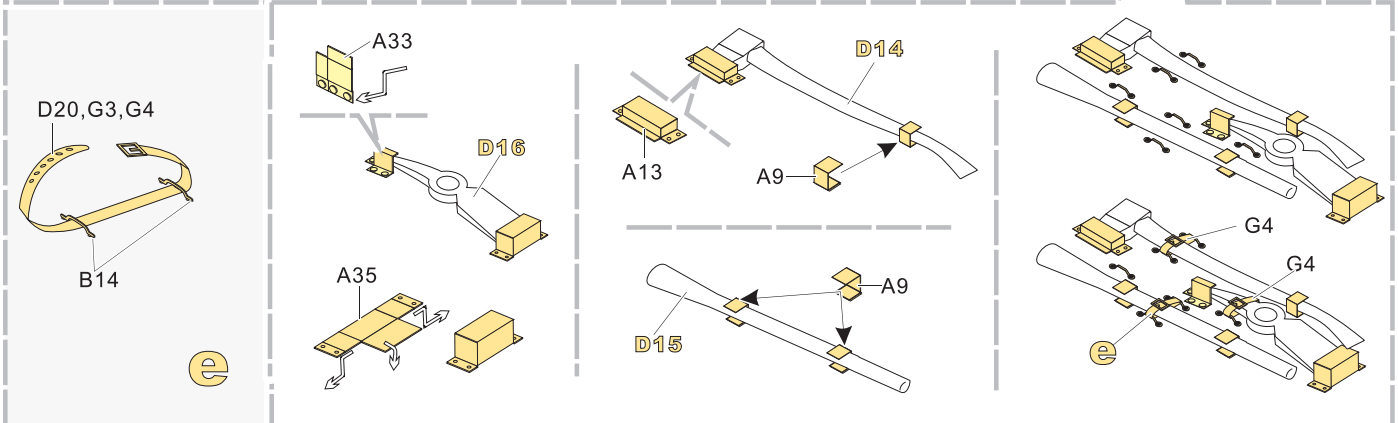
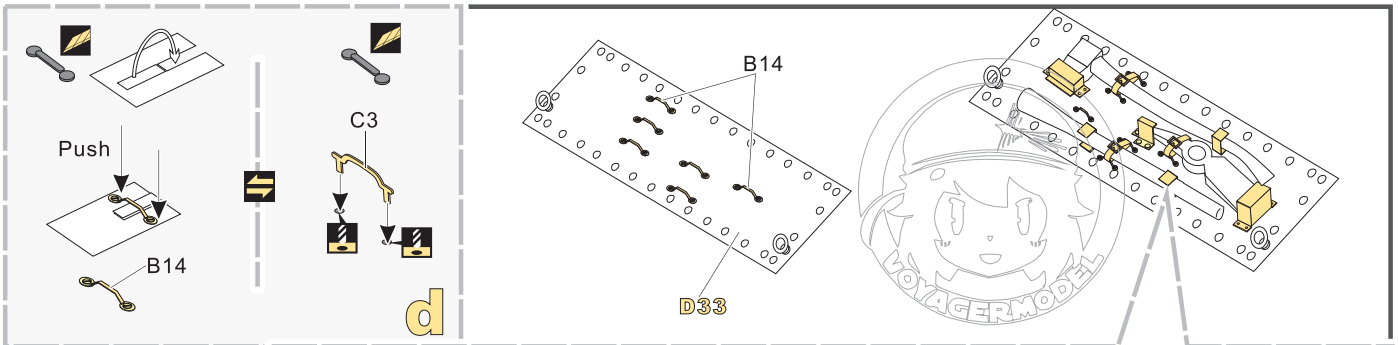
模板置于胶纸上，用刀切下  
Use stencil template as guide to cut tape into disc



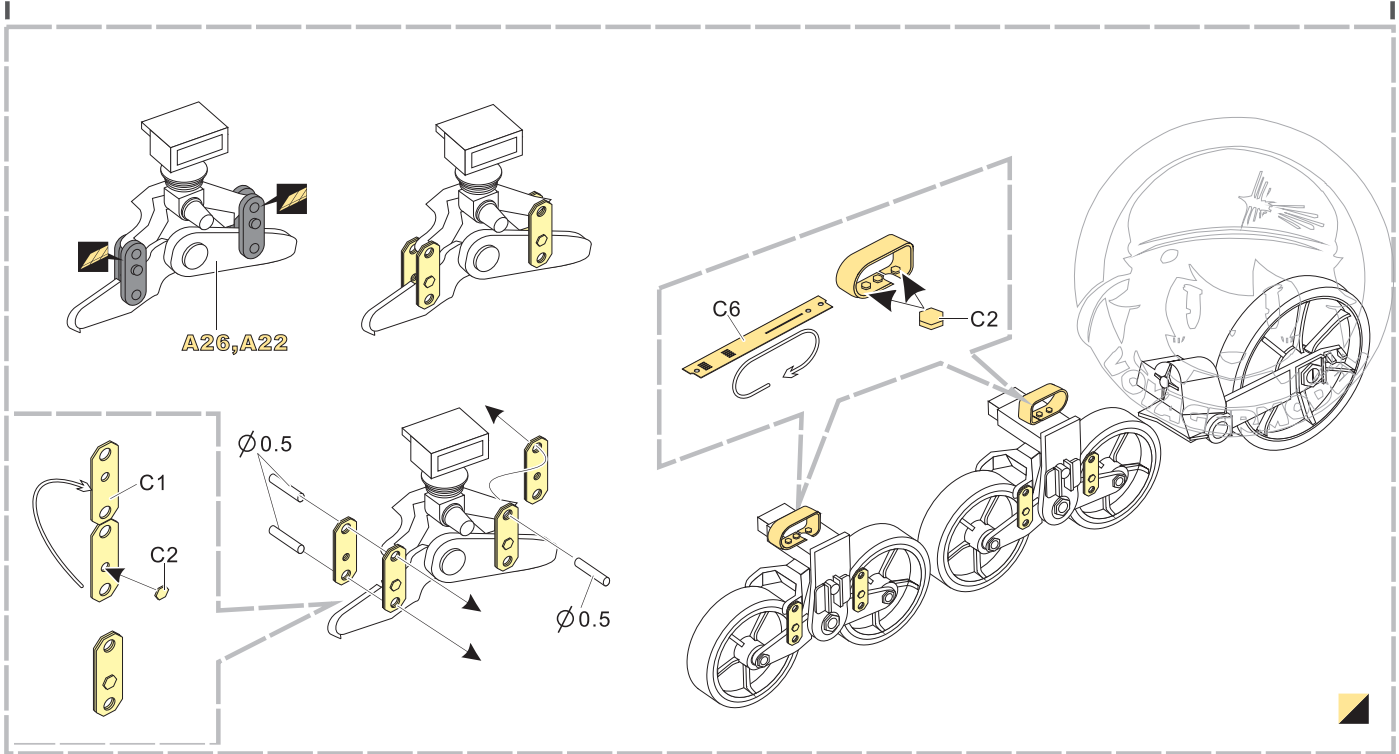
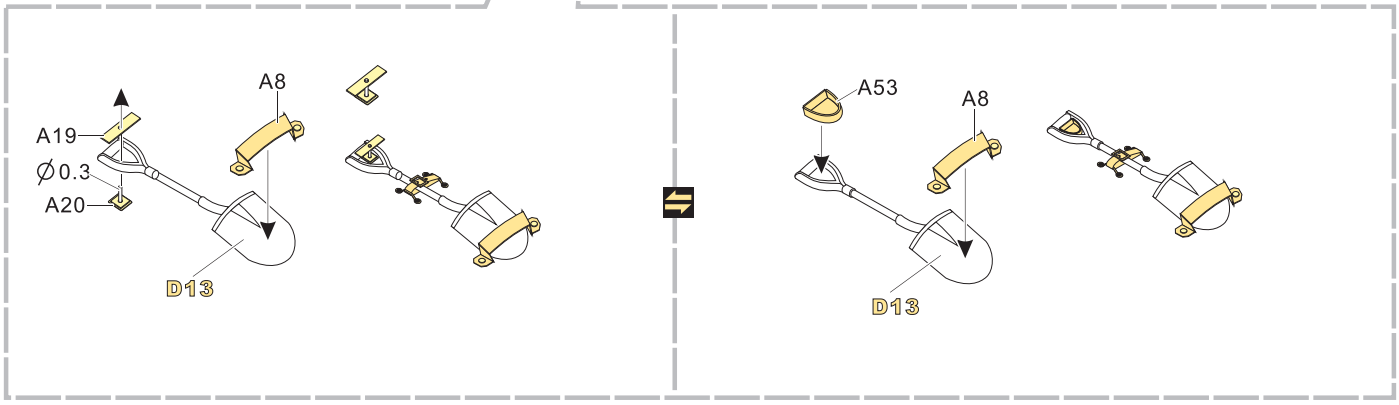
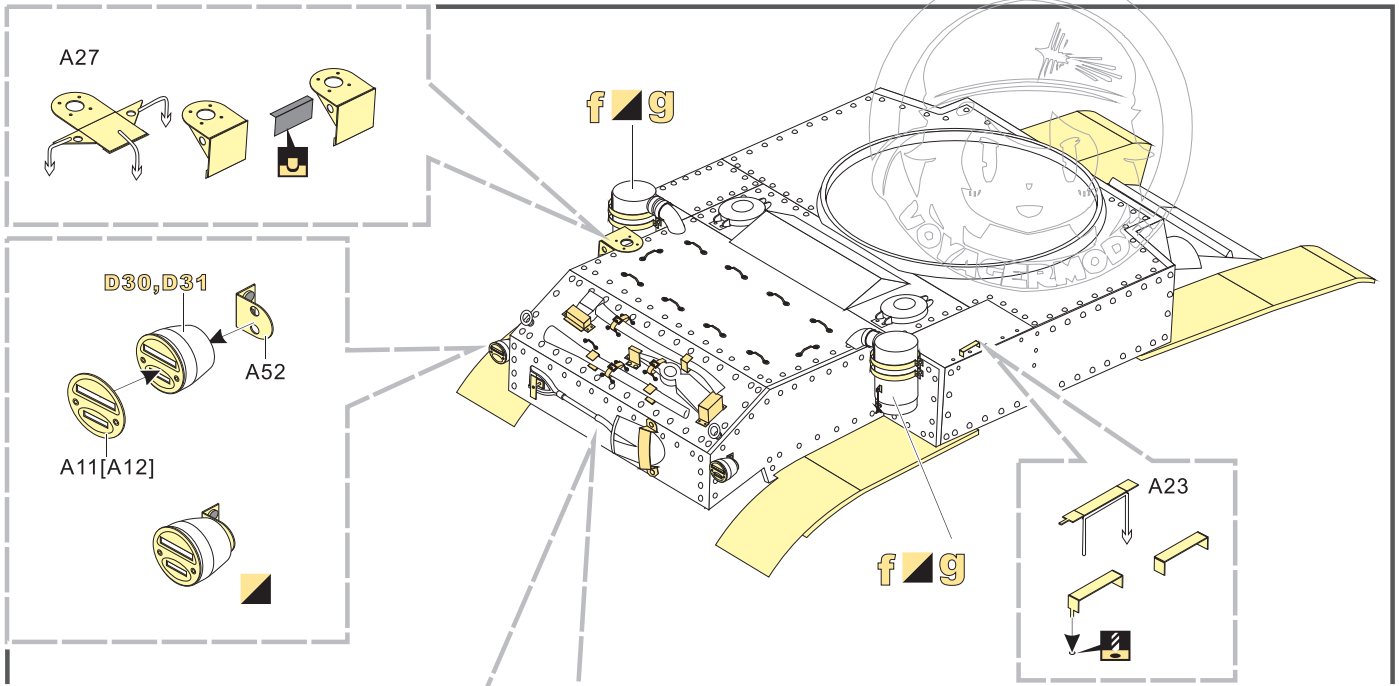
1/35 MILITARY MINIATURE VEHICLE UPGRADE SERIES PE35934



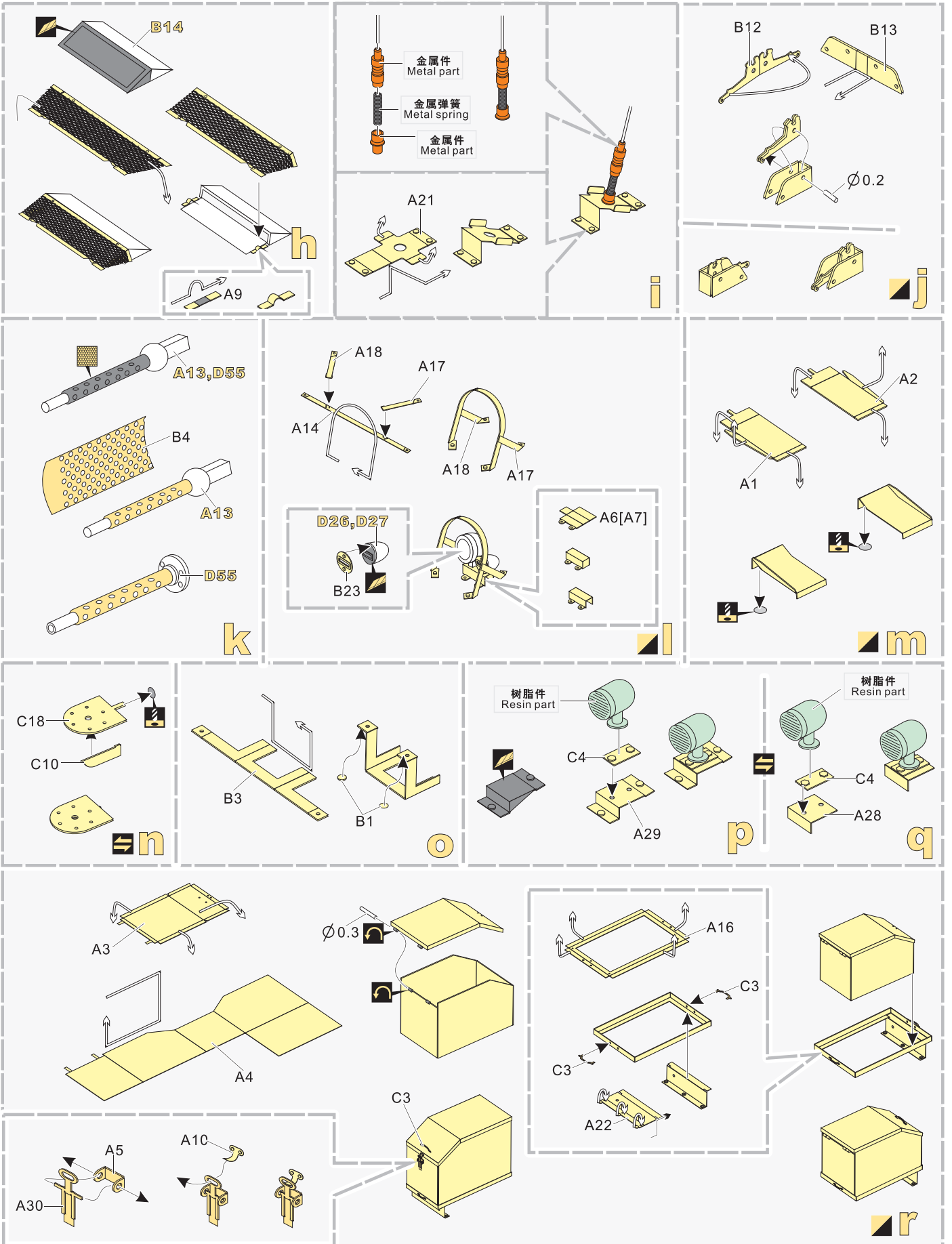
1/35 MILITARY MINIATURE VEHICLE UPGRADE SERIES PE35934



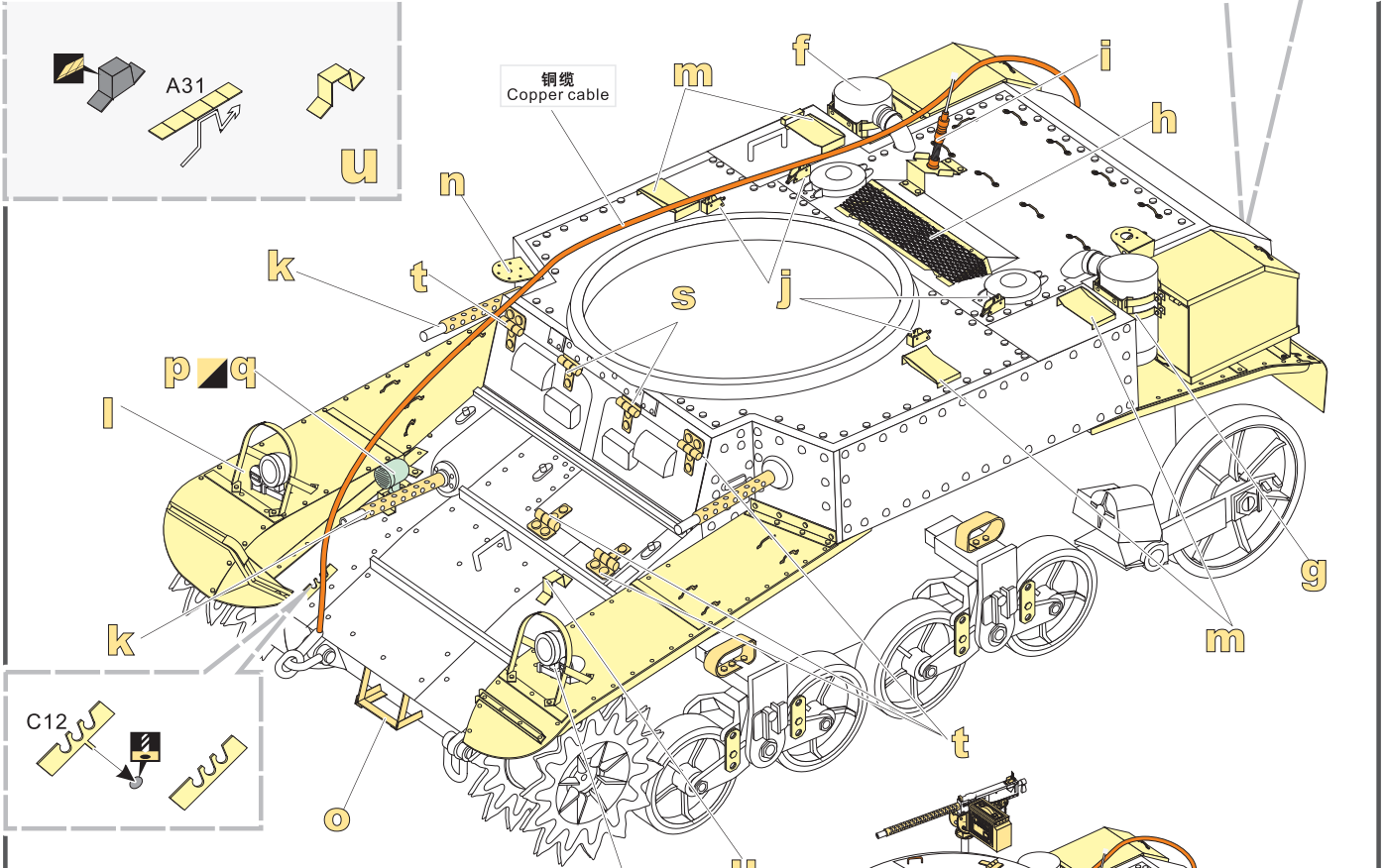
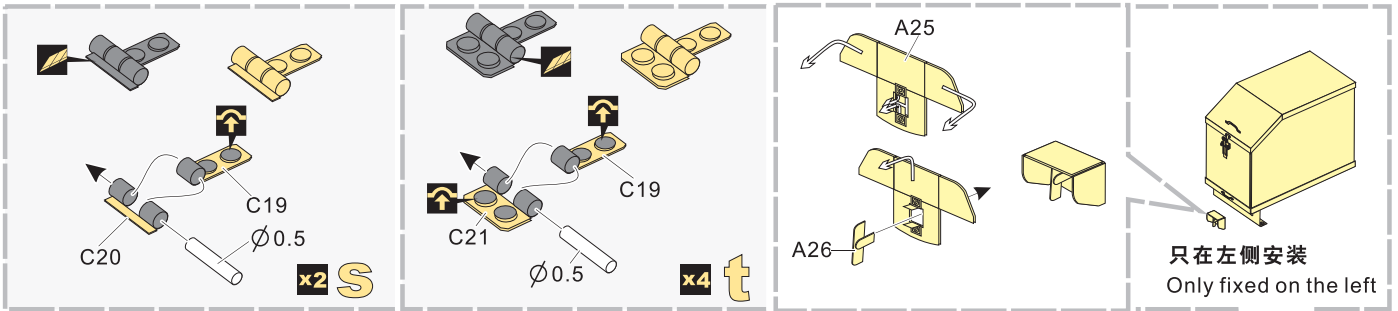
1/35 MILITARY MINIATURE VEHICLE UPGRADE SERIES PE35934



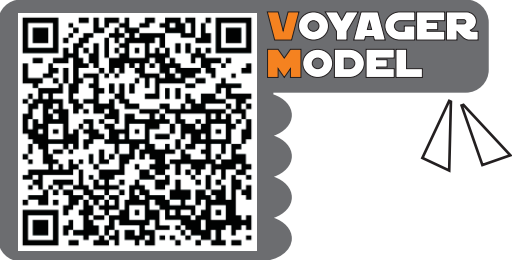
1/35 MILITARY MINIATURE VEHICLE UPGRADE SERIES PE35934



1/35 MILITARY MINIATURE VEHICLE UPGRADE SERIES PE35934



[Http://www.voyagermodel.com/productdetails.asp?itemid=PE35934](http://www.voyagermodel.com/productdetails.asp?itemid=PE35934)



更多PE35934样品照片参考请扫一扫  
MORE PICTUER OF PE 35934  
REFERENCE SCAN HERE

**VOYAGERMODEL®** 无微不至 极尽享受  
The Best Upgrade Solution

Recommended item

PE 35618	WWII US FORD G.P.A.JEEP
PE 35700	WWII US M26 Recover Vehicle basic
PE 35223	WWII US M5A1 early version Basic
PE 35679	WWII US M8 light armored car basic ( Gun barrel ,atenna baseinclude)
PE 35678	WWII US M20 armored utility car basic (Machine Gun ,atenna baseinclude)
PE 35677	WWII US M3A3 Stuart light tank basic (Gun barrel , smoke discharger. atenna base include )
PE 35513	WWII US M32B1 tank recovery vehicle
PE 35465	WWII U.S. GMC 2.5ton 6X6 Cargo Truck

